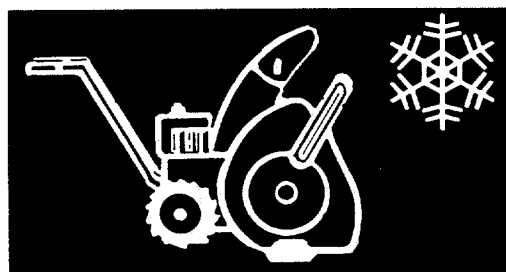
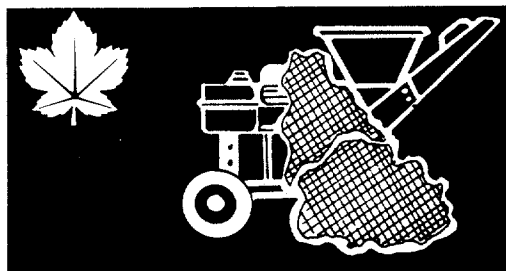
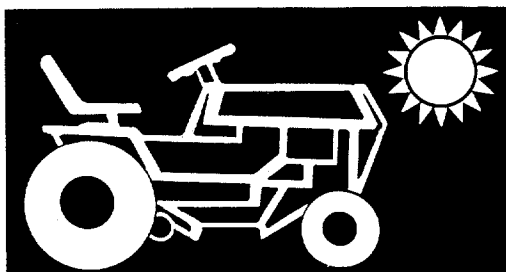
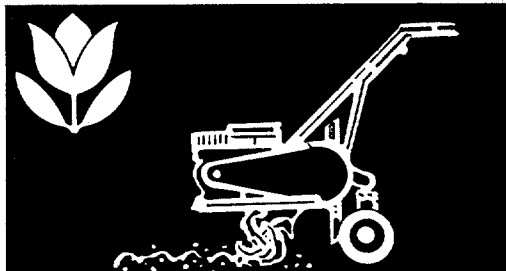


\$1.00

OWNER'S GUIDE

OUTDOOR POWER EQUIPMENT
for all seasons



**19"
ELECTRIC
ROTARY
MOWER**

**Model Number
188-421-000**

**IMPORTANT:
Read Safety Rules and
Instructions Carefully**

Thank you for purchasing
an American-built product.

FORM NO. 770-6578C

INDEX

Slope Gauge	3
Contents of Hardware Pack	4
Safe Operation Practices	5
Assembly	6
Operation	8
Maintenance	10
Storage	11
Illustrated Parts	12
Repair Parts List	13
Parts Information	Back: Cover

Dear Customer,

So often throughout the year we are all in a rush to meet our daily obligations.

However, we at MTD Products Inc are taking a quick moment out to say...

"Thank you for your business."

Sincerely,

MTD PRODUCTS INC



INSTRUCTIONS GIVEN WITH THIS SYMBOL ARE FOR PERSONAL SAFETY. BE SURE TO FOLLOW THEM.

LIMITED WARRANTY

For one year from the date of original retail purchase, MTD PRODUCTS INC will either repair or replace, at its option, free of charge, F.O.B. factory or authorized service firm, any part or parts found to be defective in material or workmanship. Transportation charges for the movement of any power equipment unit or attachment are the responsibility of the purchaser. Transportation charges for any parts submitted for replacement under this warranty must be paid by the purchaser unless such return is requested by MTD PRODUCTS INC.

This warranty will not apply to any part which has become inoperative due to misuse, excessive use, accident, neglect, improper maintenance, alterations, or unless the unit has been operated and maintained in accordance with the instructions furnished. This warranty does not apply to the engine, motor, battery, battery charger or component parts thereof. Please refer to the applicable manufacturer's warranty on these items.

This warranty will not apply where the unit has been used commercially.

Warranty service is available through your local authorized service dealer or distributor. If you do not know the dealer or distributor in your area, please write to the Customer Service Department of MTD.

The return of a complete unit will not be accepted by the factory unless prior written permission has been extended by MTD.

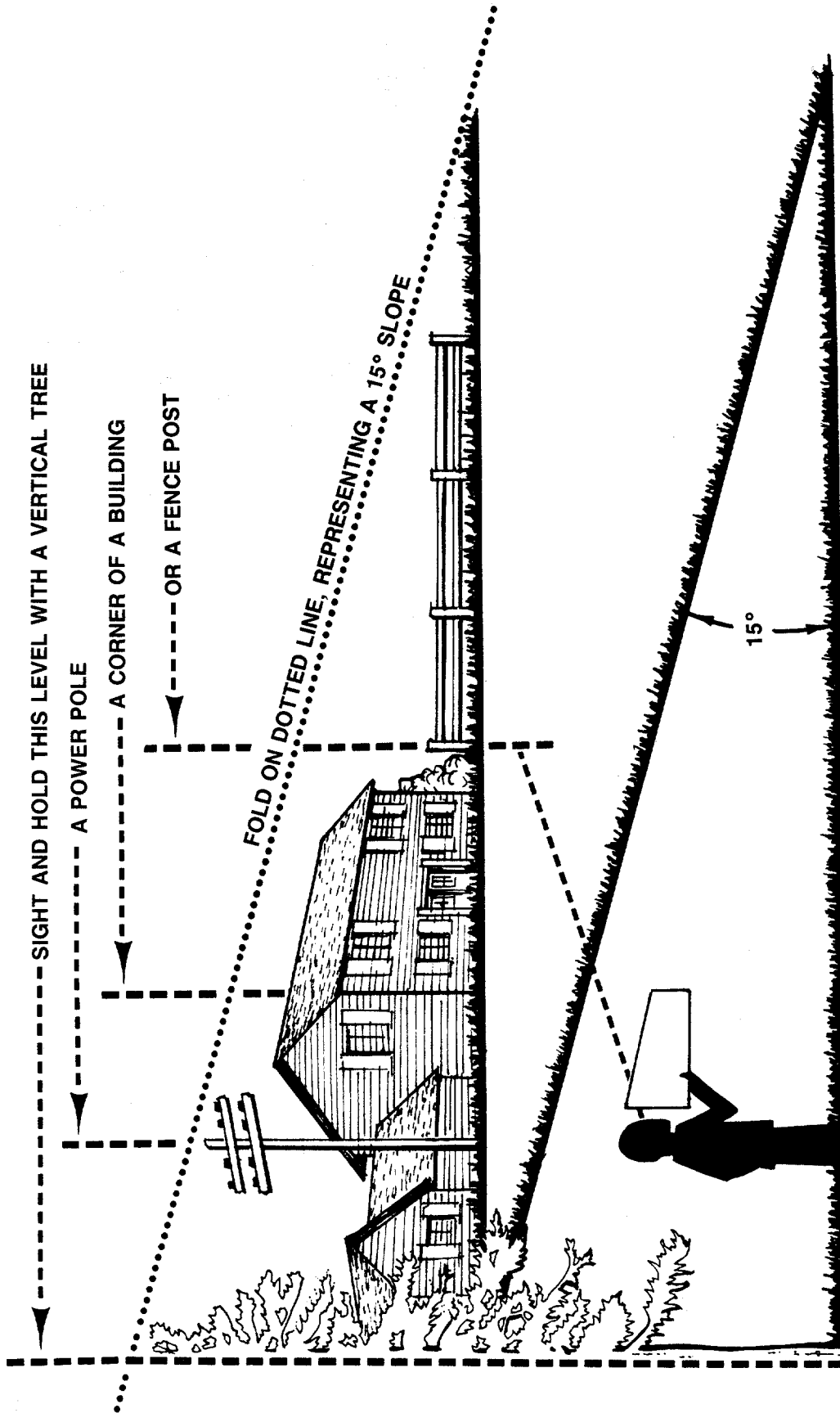
This warranty gives you specific legal rights. You may also have other rights which vary from state to state.

Cut Along This Line

USE THIS SHEET AS A GUIDE TO DETERMINE SLOPES WHERE YOU MAY NOT OPERATE SAFELY.

SLOPE GAUGE

(Keep this sheet in a safe place for future reference.)



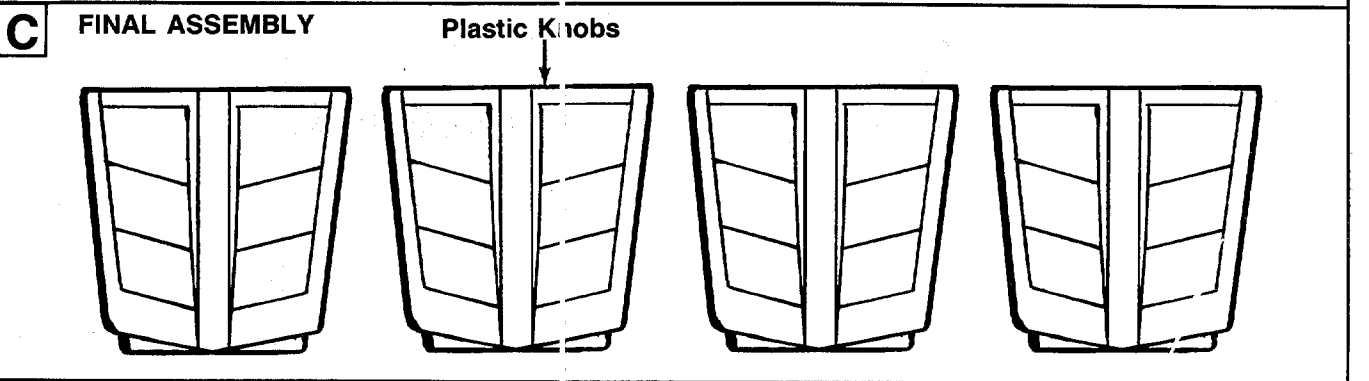
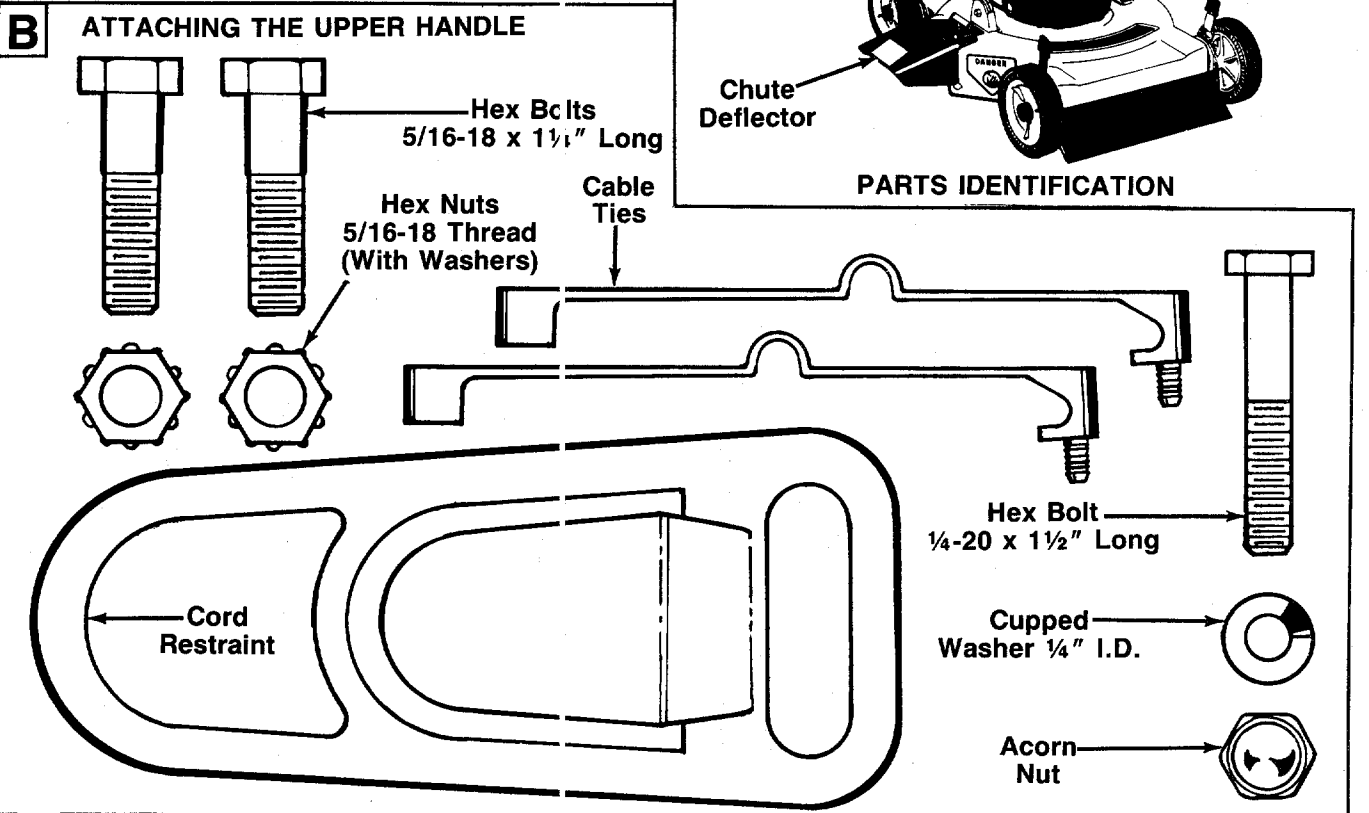
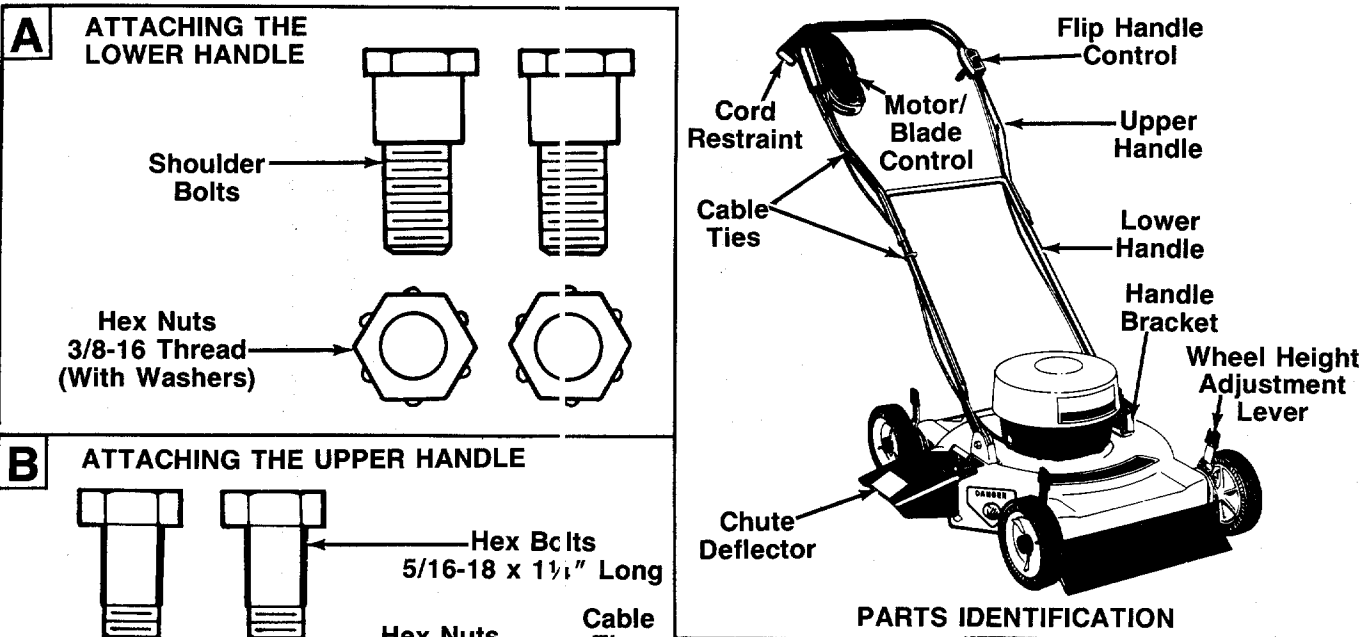
Do not mow on inclines with a slope in excess of 15 degrees (a rise of approximately 2½ feet every 10 feet). A riding mower could overturn and cause serious injury. If operating a walk-behind mower on such a slope, it is extremely difficult to maintain your footing and you could slip, resulting in serious injury.

Operate RIDING mowers up and down slopes, never across the face of slopes.

Operate WALK-BEHIND mowers across the face of slopes, never up and down slopes.

CONTENTS OF HARDWARE PACK/PARTS IDENTIFICATION

Remove this sheet from your owner's manual and lay the hardware on the illustration for identification purposes. After assembly, keep the Slope Gauge which is on the reverse side of this sheet for future use.
(Hardware pack may contain extra items which are not used on your unit.)



Cut Along This Line

IMPORTANT

RULES FOR SAFE OPERATION



THIS SYMBOL POINTS OUT IMPORTANT SAFETY INSTRUCTIONS WHICH, IF NOT FOLLOWED, COULD ENDANGER THE PERSONAL SAFETY AND/OR PROPERTY OF YOURSELF AND OTHERS. READ AND FOLLOW ALL INSTRUCTIONS IN THIS MANUAL BEFORE ATTEMPTING TO OPERATE YOUR ELECTRIC LAWN MOWER. FAILURE TO COMPLY WITH THESE INSTRUCTIONS MAY RESULT IN PERSONAL INJURY. WHEN YOU SEE THIS SYMBOL— **HEED ITS WARNING.**



DANGER

Your electric lawn mower was built to be operated according to the rules for safe operation in this manual. As with any type of power equipment, carelessness or error on the part of the operator can result in serious injury. If you violate any of these rules, you may cause serious injury to yourself or others.



TRAINING

1. Read this owner's manual carefully in its entirety before attempting to assemble or operate this machine. Be completely familiar with the controls and the proper use of this machine before operating it. Keep this manual in a safe place for future and regular reference and for ordering replacement parts.
2. Your rotary mower is a precision piece of power equipment, not a plaything. Therefore, exercise extreme caution at all times.
3. Never allow children to operate a power mower. Only persons well acquainted with these rules of safe operation should be allowed to use your mower.
4. No one should operate this unit while intoxicated or while taking medication that impairs the senses or reactions.
5. Keep the area of operation clear of all persons, particularly small children and pets. Stop motor when they are in the vicinity of your mower. Although the area of operation should be completely cleared of foreign objects, an object may have been overlooked and could be accidentally thrown by the mower in any direction and cause serious personal injury to the operator or any others allowed in the area.



PREPARATION

1. Thoroughly inspect the area where the equipment is to be used. Remove all stones, sticks, wire, bones and other foreign objects which could be picked up and thrown by the mower in any direction and cause serious personal injury to the operator or any others allowed in the area.
2. Do not operate equipment when barefoot or wearing open sandals. Always wear substantial footwear. Use of rubber gloves and footwear is recommended when working outdoors.
3. Do not wear loose fitting clothing or jewelry. They can get caught in moving parts.
4. To prevent electric shock, do not operate this machine in damp or wet locations or in rain.
5. Disengage the self-propelled mechanism or drive clutch on units so equipped before starting the engine.
6. The blade control switch is a safety device. Never attempt to bypass its operation. Doing so makes the safety device inoperative and may result in personal injury through contact with the rotating blade.
7. Never attempt to make a wheel or cutting height adjustment while the motor is running.
8. Mow only in daylight or in good artificial light.
9. Never operate the equipment in wet grass. Always be sure of your footing. A slip and fall can cause serious personal injury. Keep a firm hold on the handle and walk, never run.
10. Warning—To prevent electric shock, use only with an extension cord suitable for outdoor use. Use only UL approved outdoor extension cords of adequate gauge (minimum 16 gauge recommended) which accept the lawn mower's plug. Extension cord is available from your dealer. Order part number 725-0960.
11. The use of any extension cord will cause some loss of power. To keep this to a minimum and to prevent overheating and motor burn-out, use the largest wire size (A.W.G.) extension cord available from your dealer. A minimum of 16 gauge wire (A.W.G.) is recommended for up to 100 feet.

For longer lengths, 12 gauge wire (A.W.G.) must be used for best motor performance.

12. Do not exceed a total of 200 feet in extension cord length.
13. If extension cord is damaged in any manner while plugged in, pull extension cord from wall receptacle.
14. To prevent disconnection of extension cord from mower during operation, be sure to use the cord restraint provided. Replacement cord restraints are available through your dealer.
15. Fuses—The motor should be operated on a 15 AMP circuit. If difficulty in starting is experienced with a standard 15 AMP fuse or circuit breaker, a fuse stat or slow blowing fuse or circuit breaker may be used but should not exceed the 15 Ampere rating. Do not use a higher rated fuse without consulting your power company.
16. Always wear safety glasses or eye shields during operation or while performing an adjustment or repair, to protect eyes from foreign objects that may be thrown from the machine in any direction.



OPERATION

1. Avoid unintentional starting. Don't carry plugged-in lawn mower with finger on switch. Be sure switch is **off** when plugged in.
2. Don't abuse cord—never carry lawn mower by cord or yank it to disconnect from receptacle. Keep cord from heat, oil, and sharp edges.
3. Do not put hands or feet near or under rotating parts. Keep clear of the discharge opening at all times as the rotating blade can cause injury.
4. Stop the blade when crossing gravel drives, walks or roads.
5. After striking a foreign object, stop the motor, unplug power cord, and thoroughly inspect the mower for any damage. Repair the damage before restarting and operating the mower.
6. If the equipment should start to vibrate abnormally, stop the motor and check immediately for the cause. Vibration is generally a warning of trouble.
7. Shut the motor off and wait until the blade comes to a complete stop before removing the grass catcher or unclogging the chute. The cutting blade continues to rotate for a few seconds after the motor is shut off. Never place any part of the body in the blade area until you are sure the blade has stopped rotating.
8. Before cleaning, repairing or inspecting, make certain the blade and all moving parts have stopped. Always disconnect electric mower from power supply before cleaning, repairing or adjusting.
9. Don't force lawn mower. It will do the job better and safer at the rate for which it was designed. Do not use lawn mower for any job except that for which it is intended.
10. Mow across the face of slopes, never up-and-down. Exercise extreme caution when changing direction on slopes. Do not mow excessively steep slopes. Always be sure of your footing. A slip and fall can cause serious personal injury.
11. Never operate mower without proper guards, plates or other safety protective devices in place.
12. **The blade/motor control on this mower is installed to minimize the risk of blade contact injury and is required by federal regulations. Do not under any circumstances attempt to defeat the function of the blade/motor control.**

SAFE OPERATION PRACTICES (Continued)



MAINTENANCE AND STORAGE


1. Check the blade and motor mounting bolts at frequent intervals for proper tightness.
2. Keep all nuts, bolts, and screws tight to be sure the equipment is in safe working condition.
3. Keep blade sharp.
4. Use identical replacement parts only. Repair or replace damaged cord.
5. To reduce fire hazard, keep the motor free of grass, leaves, or excessive grease.
6. Check the grass catcher bag frequently for wear or deterioration. For safety protection, replace only with new bag meeting original equipment specifications.
7. Store idle lawn mower indoors when not in use. Lawn mower should be stored indoors in dry, high or locked-up place, out of reach of children.
8. Maintain lawn mower with care. Keep cutting edges sharp and clean for best and safest performance. Follow instructions for lubricating and changing accessories.



GROUND-DOUBLE INSULATED LAWN MOWER

DOUBLE INSULATION IS A CONCEPT IN SAFETY IN ELECTRIC LAWN MOWERS, WHICH ELIMINATES THE NEED FOR THE USUAL THREE WIRE GROUNDED POWER CORD AND GROUNDED SUPPLY SYSTEM. WHEREVER THERE IS ELECTRIC CURRENT IN THE MOWER, THERE ARE TWO COMPLETE SETS OF INSULATION TO PROTECT THE USER. ALL EXPOSED METAL PARTS ARE ISOLATED FROM THE INTERNAL METAL MOTOR COMPONENTS WITH PROTECTING INSULATION.

IMPORTANT—SERVICING OF A LAWN MOWER WITH DOUBLE INSULATION REQUIRES EXTREME CARE AND KNOWLEDGE OF THE SYSTEM AND SHOULD BE PERFORMED ONLY BY A QUALIFIED SERVICE TECHNICIAN. FOR SERVICE WE SUGGEST YOU RETURN THE LAWN MOWER TO YOUR NEAREST AUTHORIZED SERVICE DEALER FOR REPAIR. ALWAYS USE ORIGINAL FACTORY REPLACEMENT PARTS WHEN SERVICING.

 **NOTE:** The right hand side of the mower is the side which has the chute deflector. Refer to illustration on page 4.

ASSEMBLY INSTRUCTIONS

Tools Required for Assembly

- (2) 9/16" Wrenches*
- (2) 1/2" Wrenches*
- (1) 7/16" Wrench*
- (1) Soft Hammer or Mallet
- *or two 6" Adjustable Wrenches

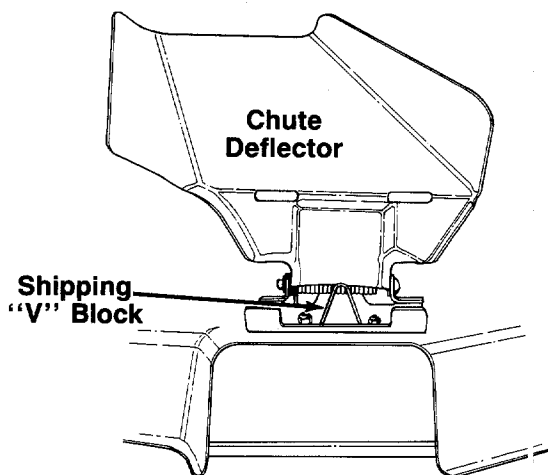


FIGURE 1.

UNPACKING

1. Remove the lawn mower from the carton by opening the top flaps and lifting the unit out. Be careful of the staples. Make certain all parts and literature have been removed from the carton before the carton is discarded.
2. Check beneath the deck for any cardboard packaging. Remove if present.
3. Stretch out control cables and place on the floor. Be careful not to bend or kink the cables at any time during assembly.
4. Remove page four from this manual and lay the contents of the hardware pack on the illustration for identification.

PREPARATION

The chute deflector on your mower is held in an upright position by a "V" block for shipping purposes only. This "V" block must be removed and discarded before the mower is assembled and operated. See figure 1.

To remove the "V" block, pull the spring-loaded chute toward the engine. Remove the "V" block and carefully lower the chute into operating position, keeping fingers out of the way.

Right Side
(Chute Side)

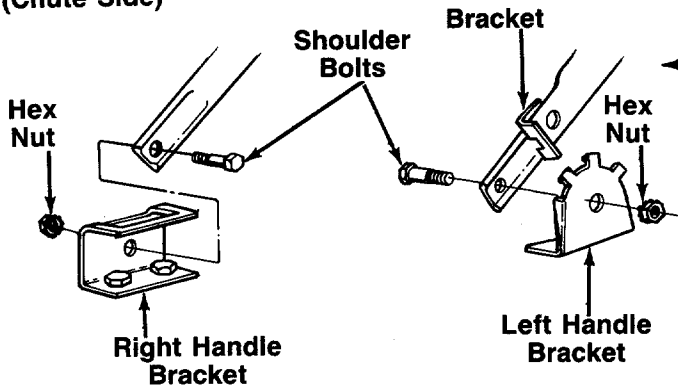


FIGURE 2.

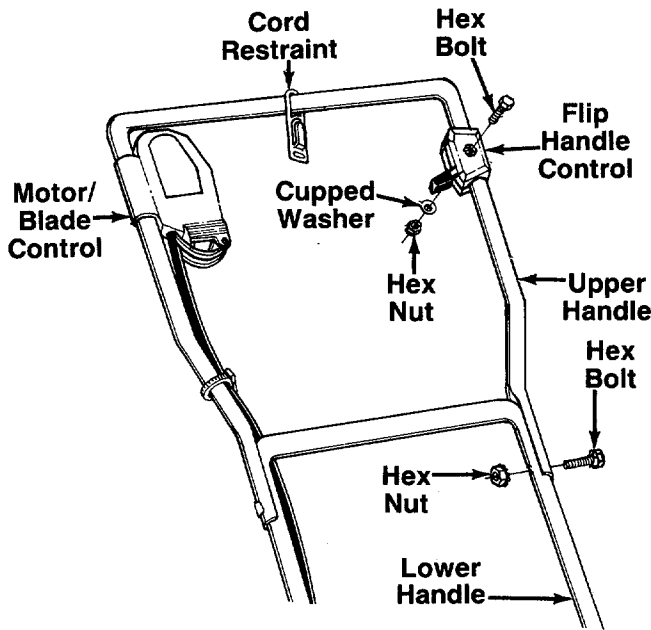


FIGURE 3.

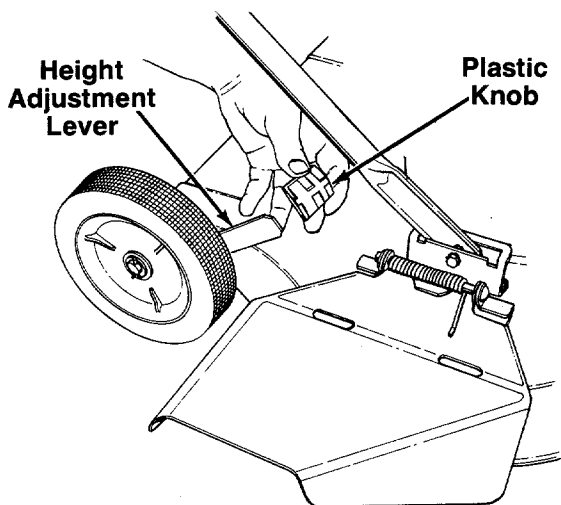


FIGURE 4.

ATTACHING THE LOWER HANDLE (Hardware A)

The left leg of the lower handle is the leg which has a bracket attached. Attach the lower handle as follows.

See figure 2.

1. Insert the right leg of the lower handle (leg without a bracket attached) into the slot in right hand handle bracket. Place the left leg inside of the left handle bracket.
2. Insert one shoulder bolt through the right handle and handle bracket. Start hex nut on shoulder bolt (washer on the hex nut goes against the handle bracket) before pushing shoulder bolt all the way through the handle and bracket.
3. Secure the left leg of the lower handle to the left handle bracket with the other shoulder bolt and hex nut. It may be necessary to push down on the handle to align the holes in the lower handle and handle bracket. Tighten both nuts and bolts securely.

ATTACHING THE UPPER HANDLE (Hardware B)

1. Place the cord restraint onto the upper handle as shown in figure 5.
2. Place the upper handle in position over the lower handle. The motor/blade control must be on the right side (chute side) of mower. Secure the upper handle using hex bolts and hex nuts (with washers attached). The head of the bolts should be to the outside of the handle. The washer on hex nut goes against the handle.
3. Secure the control cord to the upper and lower handles using the cable ties provided.
4. Place the flip handle control in position on the left side of upper handle. Secure with hex bolt, cupped washer and acorn nut. Cupped side of washer goes against the handle.

FINAL ASSEMBLY (Hardware C)

1. Assemble the plastic knobs to the wheel height adjustment levers by pressing on or tapping lightly with a soft hammer. See figure 4.
2. Make certain all nuts and bolts are tightened securely.

OPERATION



FIGURE 5.

Keep hands and feet away from the chute area on cutting deck. See figure 5.

NOTE

The wheels on your unit are set in a low cutting height position for shipping purposes. For best results, raise the cutting position until it is determined which height is best for your lawn. See cutting height adjustment.

CONTROLS

Motor/Blade Control

WARNING
THIS CONTROL MECHANISM IS A SAFETY DEVICE. NEVER ATTEMPT TO BYPASS ITS OPERATIONS.

The motor/blade control is located on the upper handle of the mower. See figure 7. The motor/blade control handle engages and disengages the motor and blade.

FLIP-OVER HANDLE CONTROL

The flip-over handle allows you to reverse the mowing direction without turning the mower around. Make certain handle is locked in the desired operating position before mowing. See figure 6.

To reverse mowing direction, pull the flip handle control lever up, swing the handle over and release the flip handle control lever. The slide lock bracket will lock the handle in place.



Make certain the slide lock bracket is disengaged before swinging the handle over.

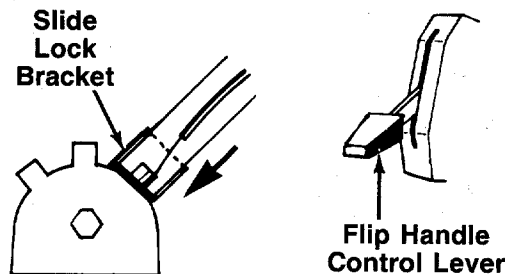


FIGURE 6.

CORD CONNECTION



Use only UL approved outdoor extension cord (minimum 16 gauge recommended). A 100 foot extension cord is available from your dealer. Order part number 725-0960.

Cord Restraint

Attach extension cord (not provided with unit) to the cord restraint as follows. Form a small loop in the extension cord. Allow enough excess cord to make the connection to the motor/blade control (approximately 20 inches). Slip the loop through the slot on the bottom of the cord restraint, and up over the tab, to prevent disconnection from the motor/blade control during operation. Keep the cord restraint as close to the motor/blade control as possible. See figure 7.

Connection to the Motor/Blade Control

To attach extension cord to the mower, swing open the spring-loaded plug retainer located beneath the motor/blade control. Connect the plug on the extension cord fully onto the plug on the mower. The mower is equipped with a polarized AC power plug (one blade of the plug is wider than the other), which will fit into the plug on the extension cord only one way. See figure 7, inset. If unable to make a full connection, try reversing the plug on the extension cord. Should the plugs still fail to fit, contact your service dealer for assistance. Do not defeat the safety purpose of the polarized plug.

Connection to the Electric Power Source

Plug the extension cord into any convenient 110-120 volt 60 cycle A.C. outlet or receptacle for your source of power. This outlet may be located either out-of-doors or indoors. If an inside receptacle is used, the extension cord can be taken out either through the doorway

or a window. To avoid blowing fuses, pick an outlet that is not overloaded. Your mower will operate satisfactorily on a circuit that is fused for 15 amperes. Do not use oversized fuses without consulting your power company.

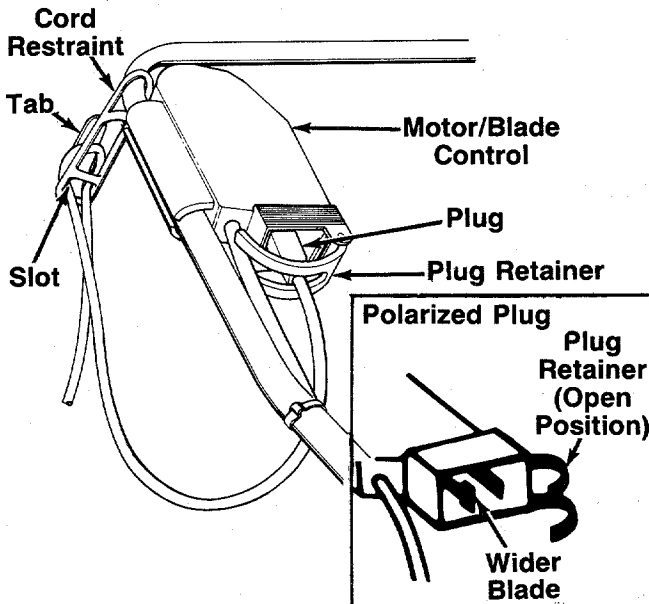


FIGURE 7.

TO START MOTOR AND ENGAGE BLADE

Standing behind the unit, lift the motor/blade control handle with the left forefinger, then pull handle up and hold it against the upper handle with right hand. See figure 8.

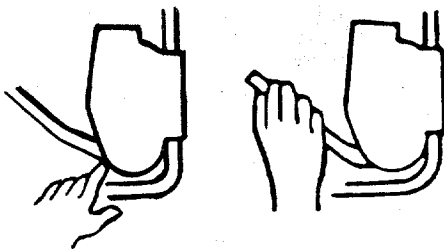


FIGURE 8.

TO STOP MOTOR AND BLADE

1. Release the motor/blade control handle to stop the engine and blade. (A high pitched noise will result, which is the result of deceleration of the electric motor. Sparking at the top of motor is also normal during deceleration.)



WARNING

The blade continues to rotate for a few seconds after the motor is shut off. If motor does not come to an immediate stop when the motor/blade control handle is released, contact an authorized service center.

2. Disconnect the power source to prevent accidental starting while equipment is unattended.

USING YOUR ROTARY MOWER

Be sure that lawn is clear of stones, sticks, wires, or other objects which could damage lawn mower or engine. Such objects could be accidentally thrown by the mower in any direction and cause serious personal injury to the operator and others.

To prevent electric shock, do not operate the mower in damp or wet locations.

Never mow around the lawn in circles. Always travel back and forth across the lawn, beginning at the point nearest the electric outlet where cord is connected. See figure 9. Cut grass moving away from the outlet so the cord lies in the cut portion of the lawn, out of the way. Clippings should be discharged on the cut portion of the lawn.

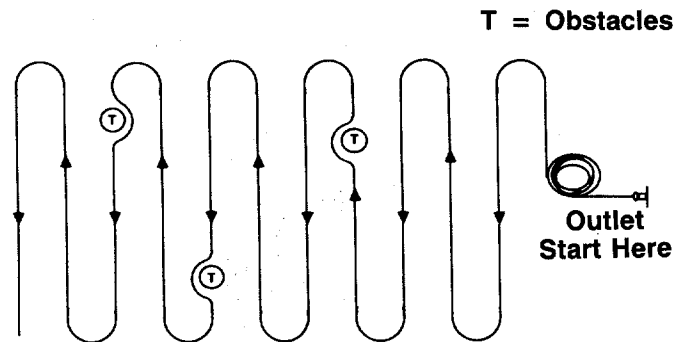
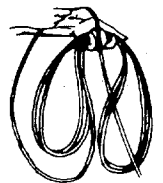


FIGURE 9.—Mowing Procedure

Do not allow extension cord to wrap around trees, shrubs or other obstacles. When picking up the extension cord, wind the cord in a series of equal loops on each side of your hand to prevent snarling. See illustration at right.



To cut heavy grass, reduce walking speed to allow more effective cut and distribution of the clippings. For best results, cut off one-third or less of the total length of the grass. The average lawn should be approximately 1½ to 2 inches during the cool season, and over 2 inches during hot months. For a healthier and better looking lawn, cut more often and after moderate growth. The lawn should be cut in the fall as long as there is growth.

➔ IMPORTANT

If you strike a foreign object, stop the motor. Disconnect the power source, thoroughly inspect the mower for any damage, and repair the damage before restarting and operating the mower. Extensive vibration of the mower during operation is an indication of damage. The unit should be promptly inspected and repaired.

CUTTING HEIGHT ADJUSTMENT



Do not at any time make any adjustment to lawn mower without first stopping motor and disconnecting the power source.

A height adjustment lever at each wheel provides cutting height adjustment. Each adjuster has nine height positions, ranging from 1½" to 3-3/8". Height of cut will be changed when the lever is moved from one position to another. Simply depress the lever toward wheel and move wheel and lever assembly to desired position. See figure 10.

For rough or uneven lawns, move the wheels to a position which will give a higher cutting height.

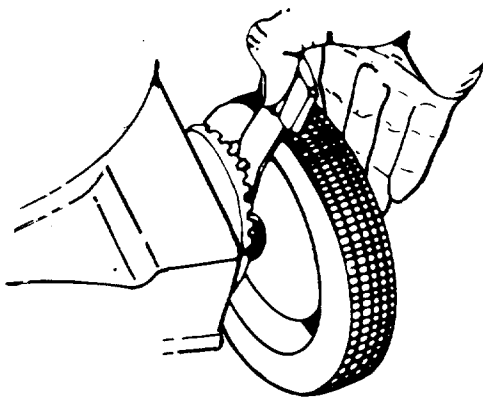


FIGURE 10.

MAINTENANCE



Always stop engine and disconnect the power source before cleaning, lubricating or performing any repairs or maintenance on lawn mower.

LUBRICATION

Chute Deflector—The torsion spring and pivot point should be lubricated periodically with light oil to prevent any rust or binding. Deflector must work freely.

Wheels—Wheels require no lubrication. However, if the wheels are removed for any reason, lubricate the surface of the axle and the inner surface of the wheel with light oil. A 4 oz. plastic bottle of light oil lubricant is available. Order part number 737-0170. Engine oil may also be used.

CUTTING BLADE



Always protect hands by wearing heavy gloves and/or wrapping cutting edges with newspapers or other materials when performing any blade maintenance. Be certain to disconnect the power supply.

After each use, check blade for sharpness and replace if worn. The blade must be balanced to run smoothly. Your blade has been checked at the factory. Resharpener is not recommended.

To remove the blade, turn the lawn mower on its side. Remove the two hex nuts. Open the blade insulator. Remove the cotter pin, blade nut, flat washer, bolt retainers, blade insulator and carriage bolts. See figure 11.

When reassembling the blade, all parts **must** be assembled in the exact order as shown in figure 11. Tighten the blade mounting nut securely (35-40 ft. pounds of torque). Make certain slot in blade mounting nut is aligned with hole in motor shaft (tighten slightly more if necessary). Re-insert the cotter pin, bending ends in opposite directions to secure. Check blade at frequent intervals to be certain it is tightened properly.

To insure safe operation of your unit, all nuts and bolts must be checked periodically for correct tightness.



All parts must be reassembled as shown in figure 11.

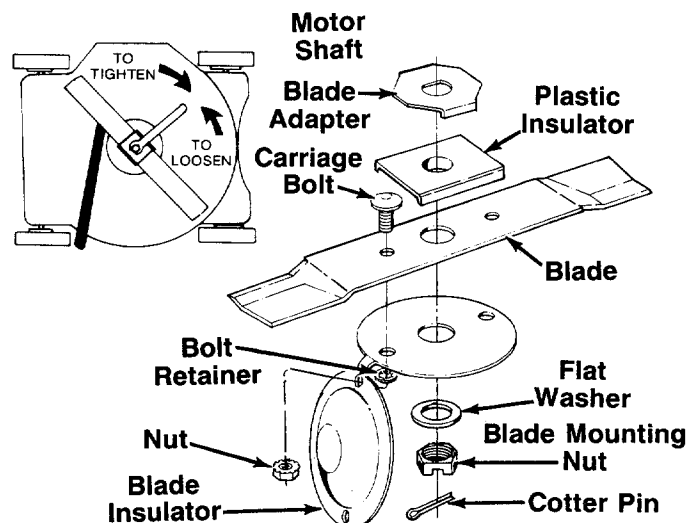


FIGURE 11.

DECK

Remove any buildup of grass and leaves on or around the motor cover (do not use water). Wipe mower clean with a dry cloth occasionally.

The underside of mower deck should be cleaned after each use as grass clippings, leaves, dirt and other matter will accumulate. This accumulation of grass clippings, etc., is undesirable as it will invite rust and corrosion and may cause an uneven discharge of grass clippings at the next cutting.

Disconnect the power source. Tilt the mower forward or on its side and scrape clean with a suitable tool.



To reduce the risk of electric shock, do not expose to water.

STORAGE

1. Make certain motor/blade control switch is in OFF position and power supply is disconnected.
2. Clean mower as instructed in previous section.
3. Wipe extension cord to remove any foreign substance such as oil or stains. Replace extension cord if cut or damaged in any way.
4. Wind cord as shown on page 9.
5. Store mower indoors, in a cool, dry place, out of reach of children. Do not cover lawn mower with a solid plastic sheet. Trapping moisture around the mower will promote rust and corrosion.

 **NOTE**

The use of any accessory on this Rotary Mower other than those shown in this manual is **not** recommended.

GRASS CATCHER Model 066 is available as optional equipment for the mower shown in this manual. When using optional grass catcher, use of the lowest cutting height positions is not recommended as the catcher frame may contact the ground.



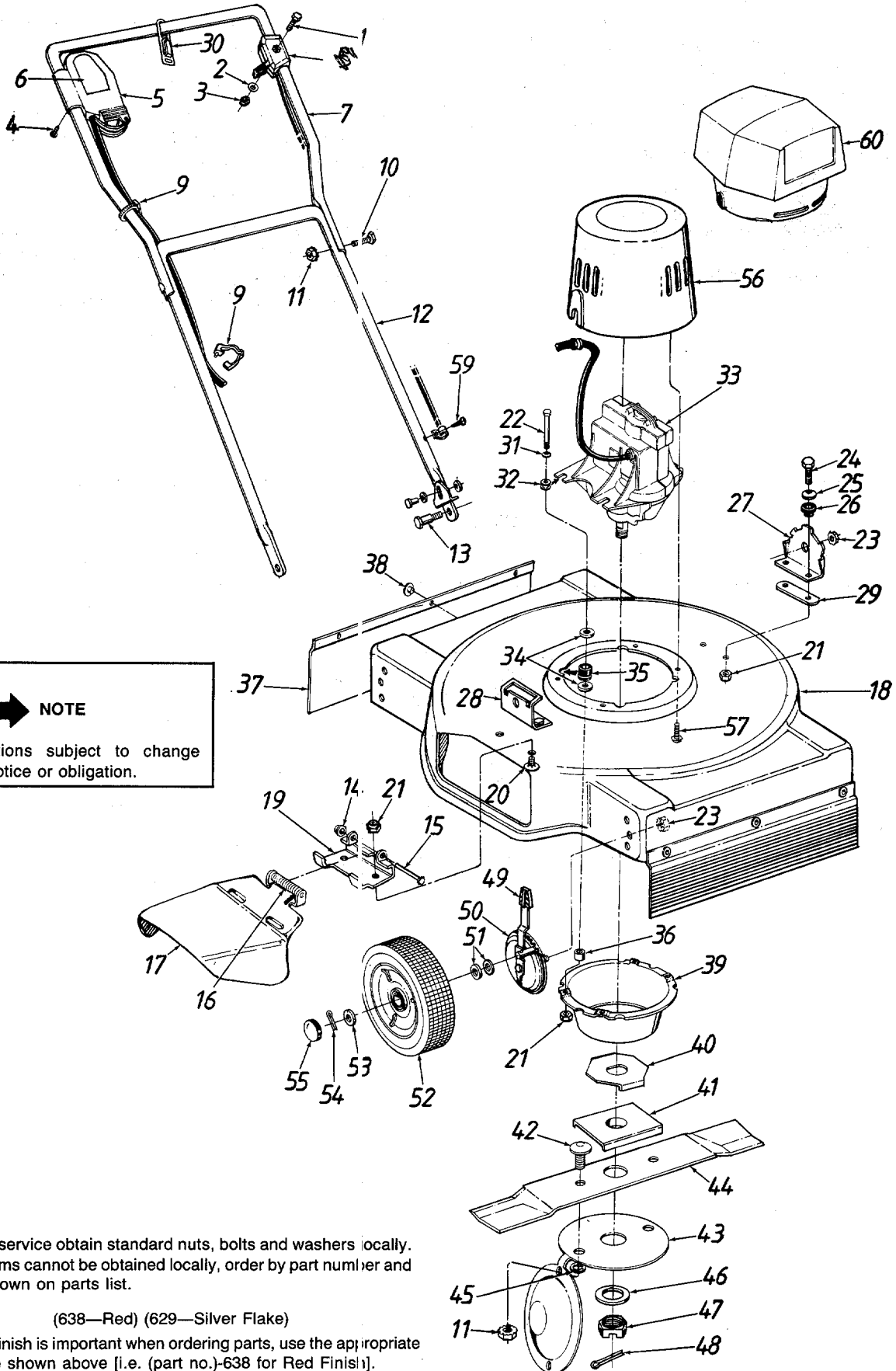
1. DO NOT operate the mower without the entire grass catcher or chute deflector in place.
2. DO NOT operate the mower without the protective shields on the front and rear of the deck in place.

 **NOTE**

Under normal usage bag material is subject to wear and should be checked periodically. Be sure any replacement bag complies with the mower manufacturer's recommendations.

For replacement bags, use only factory authorized replacement bag Part No. 764-0217.

Model 421



NOTE
 Specifications subject to change without notice or obligation.

*For faster service obtain standard nuts, bolts and washers locally. If these items cannot be obtained locally, order by part number and size as shown on parts list.

(638—Red) (629—Silver Flake)

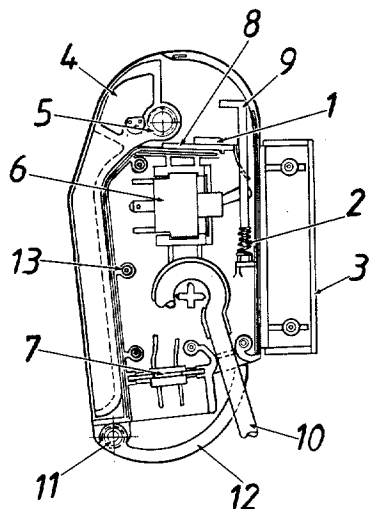
If color or finish is important when ordering parts, use the appropriate color code shown above [i.e. (part no.)-638 for Red Finish].

Model 421 PARTS LIST FOR MODEL 421 ELECTRIC MOWER

REF. NO.	PART NO.	COLOR CODE	DESCRIPTION	NEW PART	REF. NO.	PART NO.	COLOR CODE	DESCRIPTION	NEW PART
1	710-0606		Hex Bolt 1/4-20 x 1.5"*		32	AC-10144		Insulator	N
2	AC-10001		Washer	N	33	AC-15800-01		Motor & Switch Ass'y.	
3	AC-10083		Acorn Nut 1/4-20 Thd.	N				Comp. (Incl. Ref. 32)	N
4	AC-10220-16		Hi-Lo Screw #7 x 1"	N	34	AC-10078		FI-Wash. 1/4" I.D. x 1" O.D.	N
5	AC-15790		Cord & Switch Box Comp.		35	AC-10392-01		Grommet Ass'y.	N
			(See Breakdown)	N	36	AC-10024-01		Spacer	N
6	AC-10145		Label—Switch Box	N	37	AC-13676		Rear Flap	N
7	AC-10478		Upper Handle	N	38	AC-13218		Rivet	N
8	AC-15676		Cable Release Control	N	39	AC-10401-00-90		Motor Shield	N
9	AC-13161		Cable Tie	N	40	AC-10430		Blade Adapter	N
10	710-0874		Hex Bolt 5/16-18 x 1 1/4" Lg.*		41	AC-10092		Adapter Insulator	N
					42	AC-10071-12		Carriage Bolt 5/16-18 x 3/4" Lg.	N
11	AC-10003-02		Hex Sems Nut 5/16-18 Thd.	N	43	AC-10091		Blade Insulator	N
12	AC-10479-01		Lower Handle	N	44	AC-10417-01		19" Blade	N
13	AC-10655		Shoulder Bolt	N	45	AC-10117		Bolt Retainer	N
14	726-0106		Cap Speed Nut 1/4" I.D.		46	AC-12923-01		FI-Wash. 1/2" I.D.—H.T.	N
15	711-0555		Hinge Pin						N
16	732-0253		Torsion Spring		47	AC-12922		Castle Nut 1/2" I.D.	N
17	14944	638	Chute Deflector Ass'y.		48	AC-13018-16		Cotter Pin	N
18	AC-10415-04-19	638	19" Deck Ass'y.	N	49	AC-10709-00-90		Knob	N
19	11130		Adapter Plate		50	AC-10127-02		Height Adj. Ass'y. (RF/LR)	N
20	AC-10602-10		Carriage Bolt 1/4-20 x 5/8" Lg.	N		AC-10128-02		Height Adj. Ass'y. (LF/RR)	N
21	AC-16067		Hex L-Nut 1/4-20 Thd.	N	51	AC-10002		FI-Wash. 1/2" I.D.†	N
22	AC-10028-40		Hex Bolt 1/4-20 x 2 1/2" Lg. (Gr. 5)	N	52	AC-10226		7" Wheel Ass'y.	N
23	AC-10003-03		Hex Sems Nut 3/8-16 Thd.	N	53	AC-10002		FI-Wash. 1/2" I.D.	N
					54	AC-10033-12		Cotter Pin	N
24	AC-10007-14		Hex Bolt 1/4-20 x 7/8"	N	55	AC-10740		Hub Cap	N
25	AC-10008		FI-Wash. 1/4" I.D.	N	56	AC-10047-00-90		Motor Cover	N
26	AC-10090		Insulator	N	57	AC-10041-12		Self-Tap Scr. #10-16 x 3/4" Lg.	N
27	AC-10482-00-90		Handle Bracket—L.H.	N				Label—Flip Over	N
28	AC-10481-00-90		Handle Bracket—R.H.	N	58	AC-10143		Screw	N
29	AC-10111		Insulator Strip	N	59	AC-10125-12		Motor Cover†	N
30	725-0899		Cord Restraint		60	AC-10088-01-90			
31	AC-10008		FI-Wash. 1/4" I.D. x 3/4" O.D.	N					

†Optional Parts **USE 706 PREFIX WHEN ORDER PARTS**

PARTS LIST FOR CORD & SWITCH BOX COMPLETE



REF. NO.	PART NO.	DESCRIPTION	NEW PART
1	AC-15792	Latch Block	N
2	AC-15794	Latch Spring	N
3	AC-15787	Housing—Upper Half	N
	AC-15787-01	Housing—Lower Half	N
4	AC-15788	Handle Switch	N
5	AC-11682	Spring	N
6	AC-15789	Switch push button	N
7	AC-15797	Plug Assembly	N
8	AC-15793	Latch Release	N
9	AC-15791	Latch	N
10	AC-15795	Cord Ass'y.	N
11	AC-11688	Spring	N
12	AC-11689-00-90	Plug Retainer	N
13	AC-12461-08	Screw	N
—	AC-15790	Cord & Switch Box Comp.	N

PARTS INFORMATION

POWER EQUIPMENT PARTS AND SERVICE

Parts and service are available through the authorized service firms listed below. All orders should specify the model number of your unit, part numbers, description of parts and the quantity of each part required.

BRIGGS AND STRATTON, TECUMSEH AND PEERLESS PARTS AND SERVICE

Briggs & Stratton, Tecumseh and Peerless parts and service should be handled by your nearest authorized engine service firm. Check the yellow pages of your telephone directory under the listing **Engines—Gasoline**, Briggs & Stratton or Tecumseh Lauson.

NOTE: If any parts are found to be missing or defective upon assembly of this unit, write to advise the factory so that immediate replacement can be made.

ALABAMA	BIRMINGHAM	NEW YORK	CARTHAGE
Auto Electric & Carburetor Co.	2625 4th Ave. S. 35233	Gamble Dist., Inc.	West End Ave. 13619
ARKANSAS	NORTH LITTLE ROCK	NORTH CAROLINA	GREENSBORO
Sutton's Lawn Mower Shop	5301 Roundtop Drive	Dixie Sales Company	335 N. Green 27402
	Box 368, Rt. 4 72117	OHIO	CARROLL
CALIFORNIA	PORTERVILLE	Stebe's Mid-State Mower Supply	Box 366, 71 High St. 43112
Billious	75 North D Street 93257	CLEVELAND	
COLORADO	DENVER	Bleckrie, Inc.	7900 Lorain Ave. 44102
Spitzer Industrial Products Co.	6601 N.	National Central	WADSWORTH
	Washington St. 80229	Burton Supply Co.	1301 Logan Ave.
FLORIDA	JACKSONVILLE		Box 929 44501
Radco Distributors	4909 Victor St.	PENNSYLVANIA	HARRISBURG
	Box 5459 32207	EECO Inc.	4021 N. 6th St. 17110
	HIALEAH	Thompson Rubber Co.	WILLOW GROVE
Small Eng. Dist.	7995 W. 26th Court 33016	Bluemont Co.	850 Davisville Rd. 19090
GEORGIA	EAST POINT	Frank Roberts & Sons	PITTSBURGH
East Point Cycle & Key Inc.	2834 Church St. 30344	Scranton Auto Ignition Co.	11101 Frankstown Rd. 15235
ILLINOIS	LYONS	TENNESSEE	PUNXSUTAWNEY
Keen Edge Co.	8615 Ogden Ave. 60534	Ace Distributors	R.D. 2 15767
INDIANA	ELKHART	American Sales & Service, Inc.	SCRANTON
Parts & Sales Inc.	2101 Industrial Pkwy. 46516		1133-35 Wyoming Ave. 18509
IOWA	DUBUQUE	TEXAS	KNOXVILLE
Power Lawn & Garden Equip.	2551 J.F. Kennedy 52001	Marr Brothers, Inc.	2103 Magnolia 37917
LOUISIANA	NEW ORLEANS	Engine House Inc.	MEMPHIS
Suhren Engine Co.	8330 Earhart Blvd. 70118		3035-43 Bellbrook 38116
MARYLAND	TAKOMA PARK	UTAH	DALLAS
Center Supply Co.	6867 New Hampshire	Powered Products	423 E. Jefferson 75203
	Ave. 20912	VIRGINIA	SAN ANTONIO
MASSACHUSETTS	SPRINGFIELD	RBI Corp.	8610 Botts Lane
Morton B. Collins Co.	300 Birnie Ave. 01107	WASHINGTON	P.O. Box 17867 78217
MICHIGAN	MOUNT CLEMENS	Equip. Northwest	1661 N. Beck St. 84116
Power Equipment Dist.	340 Hubbard 48043	WISCONSIN	ASHLAND
MINNESOTA	PLYMOUTH	Wisconsin Magneto Inc.	101 Cedar Ridge Dr. 23005
Hance Distributing Inc.	12795 16th Ave. North 55441		SEATTLE
MISSOURI	EARTH CITY		1410 14th Ave. 98122
Oscar Wilson Engine & Parts	4159 Shoreline Dr. 63045		MILWAUKEE
	KANSAS CITY		4727 N. Teutonia St. 53209
Automotive Equip. Service	3117 Holmes St. 64109		
NEW JERSEY	ALLOWAY		
Piersons	Canal St., Box 494 08001		
NEW MEXICO	ALBUQUERQUE		
Spitzer Eng. & Parts Co.	1023 Third Ave. N.W. 87103		

WARRANTY PARTS AND SERVICE POLICY

(0687)

The purpose of warranty is to protect the customer from defects in workmanship and materials, defects which are NOT detected at the time of manufacture. It does not provide for the unlimited and unrestricted replacement of parts. Use and maintenance are the responsibility of the customer. The manufacturer cannot assume responsibility for conditions over which it has no control. Simply put, if it's the manufacturer's fault, it's the manufacturer's responsibility; if it's the customer's fault, it's the customer's responsibility.

CLAIMS AGAINST THE MANUFACTURER'S WARRANTY INCLUDES:

1. Replacement of Missing Parts on new equipment.
2. Replacement of Defective Parts within the warranty period.
3. Repair of Defects within the warranty period.

All claims MUST be substantiated with the following information:

1. Model Number, Serial Number and/or Data Code of unit involved.
2. Date unit was purchased or first put into service.
3. Date of Failure.
4. Nature of Failure.

MTD PRODUCTS INC • P.O. BOX 36900 • CLEVELAND, OHIO 44136

Free Manuals Download Website

<http://myh66.com>

<http://usermanuals.us>

<http://www.somanuals.com>

<http://www.4manuals.cc>

<http://www.manual-lib.com>

<http://www.404manual.com>

<http://www.luxmanual.com>

<http://aubethermostatmanual.com>

Golf course search by state

<http://golfingnear.com>

Email search by domain

<http://emailbydomain.com>

Auto manuals search

<http://auto.somanuals.com>

TV manuals search

<http://tv.somanuals.com>