



# Amplified Wall Baffle Speaker Model ASWB1

## Installation and Use Manual



### Description

Bogen's self-amplified wall baffle speaker is an 8-inch, cone-type loudspeaker, complete with built-in 1W amplifier and volume control mounted in a wood grain baffle (WB8). The ASWB1 requires 1 Current Unit (CU) of power.\*

### Installation Instructions for ASWB1

The loudspeaker should be installed at a recommended height of 8 to 12 feet above the floor, depending on need.

*Note: Do not mount the speaker near noise generating equipment (fans, motors, etc.) and do not use where a normal conversation cannot be conducted.*

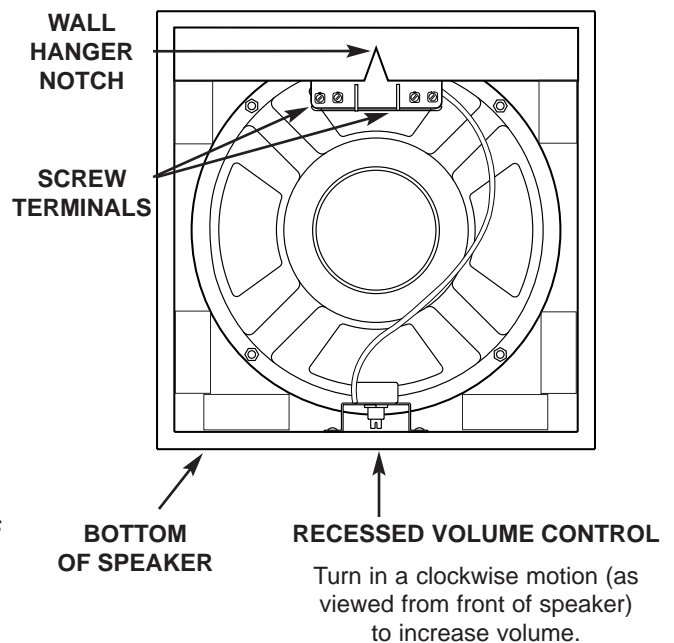
1. Mark the point from which to hang the speaker. Drill an appropriately sized hole in the wall and insert an anchor. Drive a screw into the anchor leaving approximately 1/2" of the screw exposed from which to hang the speaker.
2. A. Make the power supply connections using the two screw terminals on the ASWB1. Connect the positive power supply to the terminal labeled "GND," and the negative power supply to the terminal labeled "-24V."

*NOTE: The speaker will not be damaged if these connections are reversed. However, the speaker will not work.*

B. Make the audio connections using the two screw terminals labeled "TIP" and "RING." When wiring more than one speaker into a system, the "TIP" terminal must be wired to the other "TIP" terminals, and the "RING" terminal to the other "RING" terminals.

*NOTE: If two adjacent speakers have reversed audio wiring connections, they will tend to cancel each other's bass response, thereby diminishing the sound quality.*

3. If it is necessary to adjust the volume, insert a thin, flat blade screwdriver into the access hole at the bottom of the wall baffle, then turn the volume control clockwise (as viewed from the bottom front of the baffle) to increase the volume. To reduce the volume, simply turn the volume control counterclockwise. Be careful not to unhook the speaker from the wall anchor.



\*1CU = 50mA

## Specifications

---

<b>Maximum Output:</b>	1W
<b>Typical Operational Current:</b>	1 CU (50 mA)
<b>Frequency Response:</b>	100 Hz to 10 kHz
<b>Input Impedance:</b>	2000 ohms
<b>Typical Input Sensitivity:</b>	125 mV
<b>Maximum Sound Pressure Level:</b>	92 dB ( <i>@ four feet on axis with 1W output at 1000 Hz</i> )
<b>Dispersion:</b>	90°
<b>Size:</b>	8" cone
<b>Supply Voltage:</b>	24V DC
<b>Weight:</b>	8 lb.
<b>Dimensions:</b>	9.5" W x 9.5" H x 5.25" D (top), 4.125" D (base)

## Limited Warranty

The ASWB1 is warranted to be free from defects in material or workmanship for two (2) years from the date of sale to the original purchaser. Any part of the product covered by this warranty that, with normal installation and use, becomes defective will be repaired or replaced by Bogen, at our option, provided the product is shipped insured and prepaid to: Bogen Factory Service Department, 50 Spring Street, Ramsey, NJ 07446, USA. The product will be returned to you freight prepaid. This warranty does not extend to any of our products that have been subjected to abuse, misuse, improper storage, neglect, accident, improper installation or have been modified or repaired or altered in any manner whatsoever, or where the serial number or date code has been removed or defaced.

THE FOREGOING LIMITED WARRANTY IS BOGEN'S SOLE AND EXCLUSIVE WARRANTY AND THE PURCHASER'S SOLE AND EXCLUSIVE REMEDY. BOGEN MAKES NO OTHER WARRANTIES OF ANY KIND, EITHER EXPRESS OR IMPLIED, AND ALL IMPLIED WARRANTIES OF MERCHANTABILITY OR FITNESS FOR A PARTICULAR PURPOSE ARE HEREBY DISCLAIMED AND EXCLUDED TO THE MAXIMUM EXTENT ALLOWABLE BY LAW. Bogen's liability arising out of the manufacture, sale or supplying of products or their use or disposition, whether based upon warranty, contract, tort or otherwise, shall be limited to the price of the product. In no event shall Bogen be liable for special, incidental or consequential damages (including, but not limited to, loss of profits, loss of data or loss of use damages) arising out of the manufacture, sale or supplying of products, even if Bogen has been advised of the possibility of such damages or losses. Some States do not allow the exclusion or limitation of incidental or consequential damages, so the above limitation or exclusion may not apply to you. This warranty gives you specific legal rights, and you may also have other rights which vary from State to State.

Products that are out of warranty will also be repaired by the Bogen Factory Service Department — same address as above or call 201-934-8500. The parts and labor involved in these repairs are warranted for 90 days when repaired by the Bogen Factory Service Department. All shipping charges in addition to parts and labor charges will be at the owner's expense. All returns require a Return Authorization number.

08/10/2004

**BOGEN<sup>®</sup>**  
**COMMUNICATIONS, INC.**

50 Spring Street, Ramsey, NJ 07446, U.S.A.  
Tel. 201-934-8500, Fax: 201-934-9832, [www.bogen.com](http://www.bogen.com)

## Free Manuals Download Website

<http://myh66.com>

<http://usermanuals.us>

<http://www.somanuals.com>

<http://www.4manuals.cc>

<http://www.manual-lib.com>

<http://www.404manual.com>

<http://www.luxmanual.com>

<http://aubethermostatmanual.com>

Golf course search by state

<http://golfingnear.com>

Email search by domain

<http://emailbydomain.com>

Auto manuals search

<http://auto.somanuals.com>

TV manuals search

<http://tv.somanuals.com>