

DC Power Distribution Panel

PN 8261 8 Position Water Resistant
PN 8262 4 Position Water Resistant

Panel Specifications

Material: 0.100" 5052-H32 Aluminum Alloy
 Primary Finish: Chemical Treatment per Mil Spec C-5541C
 Final Panel Finish: Graphite color 2 part textured Polyurethane
 Fuse Holder: Accepts commonly available AGC (fast acting) and MDL (slow blow) 1-1/4" x 1/4" glass fuses.
 Fuses: 15 Ampere AGC (fast acting) fuses installed.
 Amperage Rating: Switches and Fuse Holders,
 20 amperes maximum for 12 volt system
 15 amperes maximum for 24 volt system
 Cumulative Rating: 45 Amperes
 Voltage Rating: Panels are rated for 12 or 24 volts DC.
 Circuit Indicator: LED embedded in switch, rated 100,000 hour 1/2 life
 Panel Depth: 2-3/4" 69.90mm

Overall Dimensions:	PN	Inches	Millimeters
	8261	9-3/8 x 3-3/4	238.00 x 95.30
	8262	5-1/4 x 3-3/4	133.40 x 95.30

Mounting Centers:	PN	Inches	Millimeters
	8261	8-17/32 x 2-29/32	216.90 x 74.20
	8262	4-13/32 x 2-29/32	112.30 x 74.20

Water Resistant: Will withstand the water exposures normally encountered in above deck applications: Salt spray, rain, hose washdowns, momentary immersions.

The Purpose of a Panel

There are five purposes of a marine electrical panel:

- Power distribution
- Circuit (wire) protection
- Circuit ON/OFF switching
- Metering of voltage and amperage (In panels with meters)
- Condition Indication (circuit energized)

Document 9836 Rev.F



WARNING

- ✓ It is not possible within the scope of these instructions to fully acquaint the installer with all the knowledge of electrical systems that may be necessary to correctly install this product. If the installer is not knowledgeable in electrical systems we recommend that an electrical professional be retained to make the installation.
- ✓ If the panel front is to be exposed to water it must be properly sealed to the instrument panel surface. The included gasket must be in place and the panel screwed down tight.
- ✓ The panels must not be installed in explosive environments such as gas engine rooms or battery compartments as the switches are not ignition proof.
- ✓ The main positive connection must be disconnected at the battery post to avoid the possibility of a short circuit during the installation of this distribution panel.

Guarantee

Any Blue Sea Systems product with which a customer is not satisfied may be returned for a refund or replacement at any time.

Useful Reference Books

Calder, Nigel, 1996: *Boatowner's Mechanical and Electrical Manual*, 2nd edition, Blue Ridge Summit, PA: TAB Books, Inc.
 Wing, Charlie, 1993: *Boatowner's Illustrated Handbook of Wiring*, Blue Ridge Summit, PA: TAB Books, Inc.

Related Products from Blue Sea Systems

PanelBack Insulating Covers
 High Amperage Fuses and Circuit Breakers for positive feed wires
 High Amperage Battery Switches
 Terminal Blocks and Common Bus Connectors
 AC Distribution Panels
 DC Distribution Panels
 AC and DC Voltmeters and Ammeters

Wire Sizing Chart

1. Calculate the maximum sustained amperage of the circuit. Measure the length of the circuit from the power source to the load and back.
2. Decide whether the circuit runs in an **engine space** or **non engine space**. Engine spaces are assumed to be at 50 degrees C, non engine spaces are assumed to be at 30 degrees C.
3. Multiply the maximum current times the length of the circuit to calculate **Famps** (Feet x amps).
4. Base the wire on either the 3% or 10% **voltage drop**. In general, items which affect the safe operation of the boat and its passengers (running lights, bilge blowers, electronics and distribution panel supply circuits) use 3%; all other loads use 10% (cabin lights, bait pumps).
5. Starting in the column which has the right **voltage** and **voltage drop** shown at the top, run down the list of numbers until arriving at a value which is greater than the calculated **Famps**. Move left to the **Ampacity** column to verify that the total amperage of the circuit does not exceed the maximum allowable amperage of the wire size for that row. If it does, move down until the wire ampacity exceeds the circuit amperage. Finally, move left to the **wire size** column to select the wire size.

Examples

- a. A 12 volt system at 10% drop with a 40' circuit x 45 amps = 1800 Famps. A wire size of 8 is required.
- b. A 24 volt system at 3% drop with a 10' circuit x 100 amps = 1000 Famps. A wire size of 6 is required.

Wire Size AWG	Metric*	Minimum Acceptable CM area	Wire		12 Volts Volt Drop		24 Volts Volt Drop		32 Volts Volt Drop	
			Ampacity non-engine	Ampacity engine	3% Famps	10% Famps	3% Famps	10% Famps	3% Famps	10% Famps
16	1	2336	25.0	21.3	86	288	173	576	230	768
14	2	3702	35.0	29.8	138	459	275	918	367	1223
12	3	5833	45.0	38.3	219	729	437	1458	583	1944
10	5	9343	60.0	51.0	348	1159	695	2317	927	3090
8	8	14810	80.0	68.0	553	1843	1106	3686	1474	4915
6	13	24538	120.0	102.0	879	2929	1757	5858	2343	7811
4	19	37360	160.0	136.0	1398	4659	2796	9319	3727	12425
2	32	62450	210.0	178.5	2222	7408	4445	14815	5926	19754
1	40	77790	245.0	208.3	2803	9342	5605	18684	7474	24912
0	50	98980	285.0	242.3	3536	11788	7073	23576	9430	31434
00	62	125100	330.0	280.5	4457	14858	8915	29715	11886	39620
000	81	158600	385.0	327.3	5619	18731	11239	37462	14985	49950
0000	103	205500	445.0	378.3	7086	23620	14172	47241	18896	62988

Note: This chart assumes wire with 105°C insulation rating and AWG wire sizes.
 *Metric wire sizes may be used if of equivalent circular mil area.

Installation

1. Disconnect all AC and DC power

Before starting, disconnect the main positive cable from all batteries to eliminate the possibility of a short circuit while installing the distribution panel. Also disconnect the AC shore power cord from the boat to eliminate the possibility of electrocution from AC wiring in the proximity of the DC distribution panel.

2. Select mounting location and cut opening

Select a mounting location which is not in an area where flammable vapors from propane, gasoline or lead acid batteries accumulate. This panel is not ignition protected and may ignite such vapors.

Using the panel template provided, make a cut out in the mounting surface where the distribution panel is to be mounted. Do not yet fasten the panel to the mounting surface.

3. Select positive feed wire

Determine the positive feed (red) wire size by calculating the total amperage of the circuits that will be routed through the panel. Blue Sea Systems' waterproof electrical panels are rated at 45 amp total capacity. The positive feed wire must be sized for 3% voltage drop at the 45 amp panel rating or the maximum amperage that will be routed through the panel in any particular installation, whichever is less.

It is recommended that the positive feed wire be sized for the full panel capacity, which, in most cases, will require at least 8 AWG wire, assuming a 10 foot wire run between the panel and the batteries in 12 volt systems. Refer to the Wire Sizing Chart for other situations. Remember that the length of the circuit is the total of the positive wire from the power source and the negative wire back to the DC Negative Bus. Be certain that there is a fuse or circuit breaker of the correct size protecting the positive feed wire.

4. Install LED negative feed wire

Use a 16 AWG wire to connect the LED negative feed (yellow) wire to the DC Negative Bus.

5. Install branch circuit wires

Determine the proper wire size for each branch circuit using the guidelines in step 3. Verify that the standard 15 amp fuses installed in the panel are appropriate for each branch circuit. Remove and replace if necessary. Connect the positive (red) branch circuit wires to the load terminals of each switch. Connect each negative (black) branch circuit wire to a DC Negative Bus such as Blue Sea Systems' MiniBus PN 2304.

6. Apply branch circuit labels

For each branch circuit, select a label from the 60 basic labels provided, and apply it to the recessed area on the front of the panel.

7. Mount Panel with water resistant gasket

A gasket has been included for sealing the panel against the mounting surface. The gasket will easily stretch around the panel when applied from the front. Place the gasket between the panel and the mounting surface. Make sure all surfaces are clean and free from debris. Using the panel mounting screws supplied with the panel, screw down the panel to the mounting surface.

8. Testing

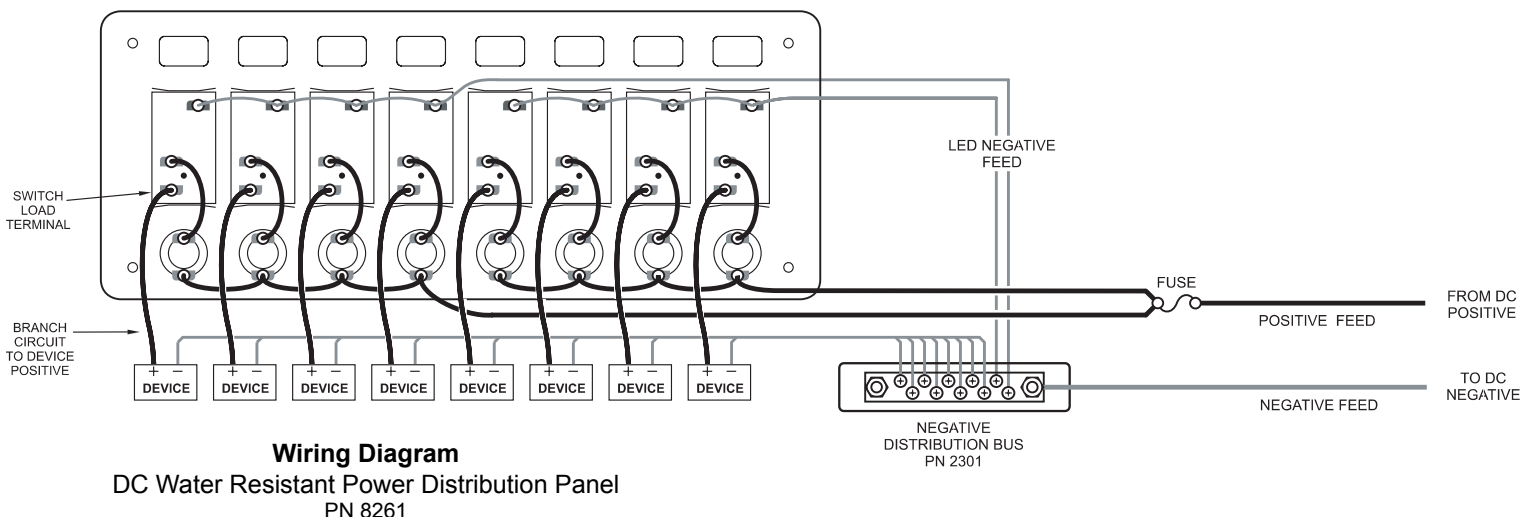
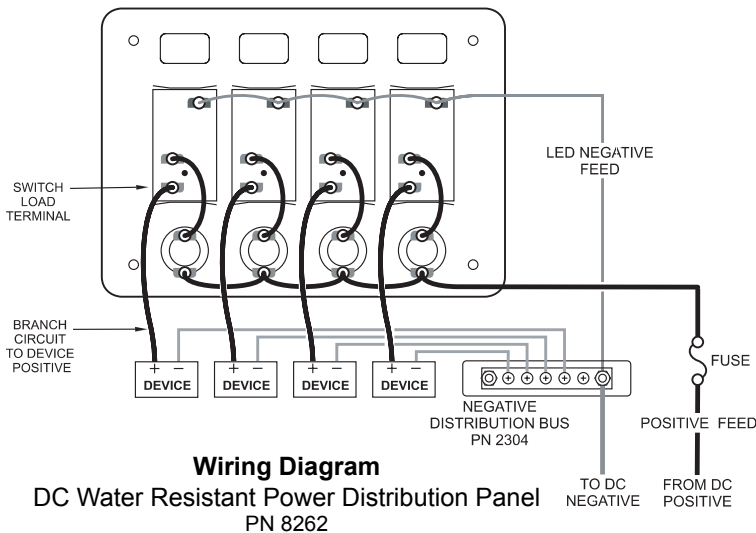
Reconnect the main positive cable to the battery terminals and turn the main switch on to supply power to the panel. Turn on all branch circuits and test the voltage at the panel. Compare this voltage to the battery terminal voltage to determine that the voltage drop is within 3%. With all branch circuits still on, test the voltage at one device on each circuit to determine that there is a 3% or 10% drop as is appropriate.

Note

This Blue Sea Systems electrical distribution panel is furnished with 15 amp AGC (fast acting) glass fuses. This rating was selected to minimize the need for removing the fuse and reinstalling different size fuses. 15 amp fuses will satisfy the vast majority of marine circuit protection situations.

Applicable Standards

- American Boat and Yacht Council (ABYC) Standards and Recommended Practices for Small Craft sections: E-1, E-3, E-9.
- United States Coast Guard 33 CFR Sub Part 1, Electrical Systems.



Free Manuals Download Website

<http://myh66.com>

<http://usermanuals.us>

<http://www.somanuals.com>

<http://www.4manuals.cc>

<http://www.manual-lib.com>

<http://www.404manual.com>

<http://www.luxmanual.com>

<http://aubethermostatmanual.com>

Golf course search by state

<http://golfingnear.com>

Email search by domain

<http://emailbydomain.com>

Auto manuals search

<http://auto.somanuals.com>

TV manuals search

<http://tv.somanuals.com>