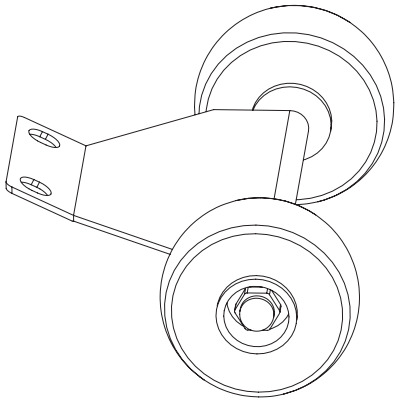


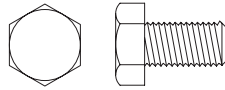
Component



1. Wheel Assembly 56-01-378

Hardware

A Wheel Bolt
5/16" - 18 x 15 Stainless Steel Hex Head Bolt



B Wheel Nut
5/16" - 18 Stainless Steel Hex Nut



C Wheel Washer
8 mm Stainless Steel Washer



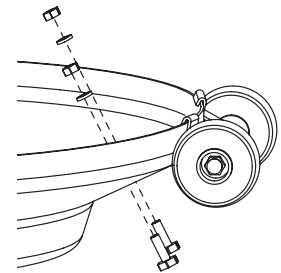
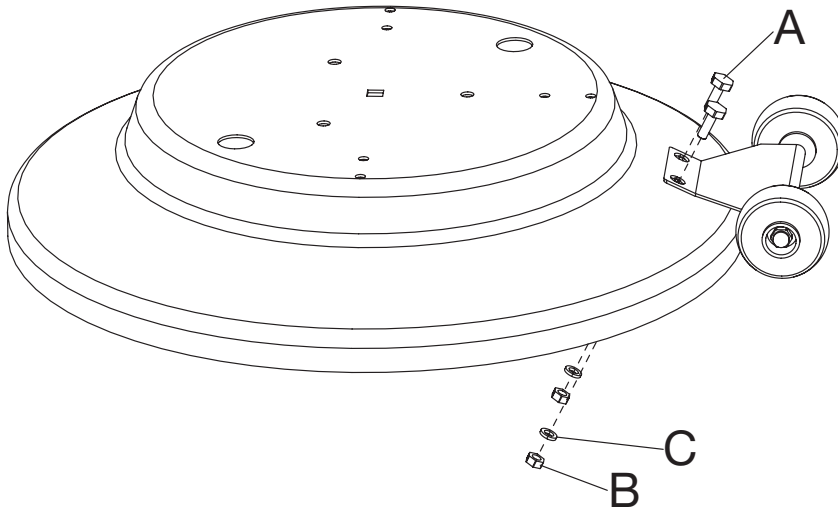
Step 1 **Attach wheel assembly during heater assembly**

Note: Attach wheel assembly to base prior to attaching the weight plate.

- A. Attach wheel assembly to base using 2 sets of wheel bolts (A), wheel washers (C) and wheel nuts (B).
- B. Continue heater assembly in Owner's Manual.

Attach wheel assembly after heater is assembled

- A. Lay heater on its side. **Be careful not to damage your dome. Support the post on a box or other sturdy item.**
- B. Remove weight plate, if needed.
- C. Attach wheel assembly to base using 2 sets of wheel bolts (A), wheel washers (C) and wheel nuts (B).
- D. Reassemble weight plate, if removed.
- E. Stand heater upright.



Free Manuals Download Website

<http://myh66.com>

<http://usermanuals.us>

<http://www.somanuals.com>

<http://www.4manuals.cc>

<http://www.manual-lib.com>

<http://www.404manual.com>

<http://www.luxmanual.com>

<http://aubethermostatmanual.com>

Golf course search by state

<http://golfingnear.com>

Email search by domain

<http://emailbydomain.com>

Auto manuals search

<http://auto.somanuals.com>

TV manuals search

<http://tv.somanuals.com>