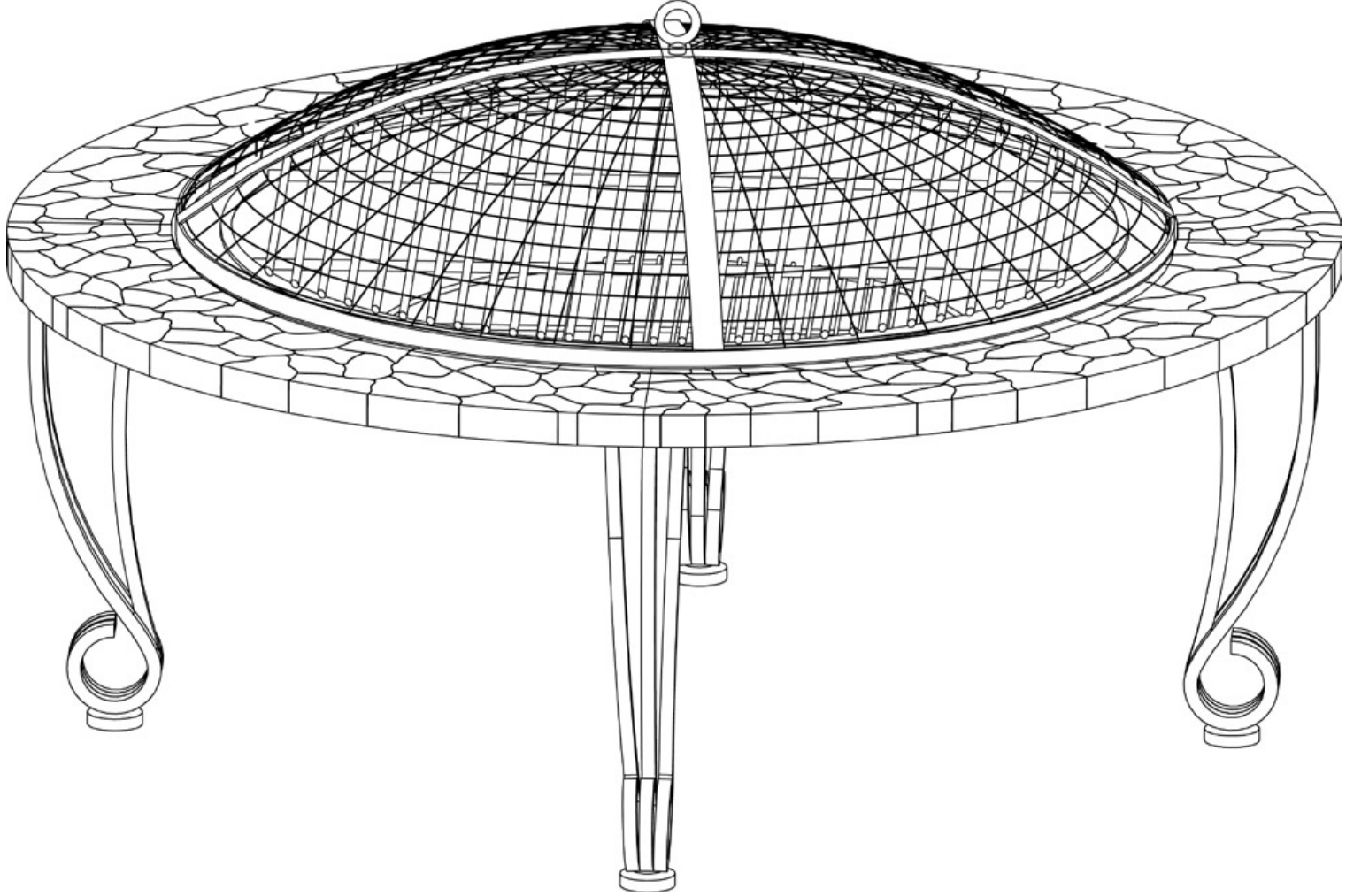




Outdoor Fireplace Model No. WAF517A-C



WARNING
FOR YOUR SAFETY:
For Outdoor Use Only
(outside any enclosure)

WARNING
FOR YOUR SAFETY:

- 1. Improper installation, adjustment, alteration, service or maintenance can cause injury or property damage.**
- 2. Read the installation, operation, and maintenance instructions thoroughly before installing or servicing this equipment.**
- 3. Failure to follow these instructions could result in fire or explosion, which could cause property damage, personal injury, or death.**

Save these instructions for future reference. If you are assembling this unit for someone else, give this manual to him or her to read and save for future reference.

Table of Contents

Important Safeguards	2
Assembly Instructions	3
Operating Instructions	4
Lighting	4
Tending the Fire	4
Extinguishing	4
Cleaning and Care	4
Inspecting	4
Cleaning	4
Storing	4
Product Registration	4
Limited Warranty	4
Exploded View & Hardware	Appendix A

Manufactured in China for:
Blue Rhino Global Sourcing, LLC
104 Cambridge Plaza Drive, Winston-Salem, NC 27104 USA
1.800.762.1142, www.bluerhino.com

© 2005 Blue Rhino Global Sourcing, LLC. All Rights Reserved
UniFlame® is a Registered Trademark of Blue Rhino Global Sourcing, LLC. All Rights Reserved

WAF517A-C-OM-100 EF



WARNING
FOR YOUR SAFETY

1. This appliance is for outdoor use only, and shall NOT be used in a building, garage, or any other enclosed area.
2. Do NOT use this outdoor fireplace for indoor heating. TOXIC carbon monoxide fumes can accumulate and cause asphyxiation.
3. This outdoor fireplace is NOT for commercial use.
4. This outdoor fireplace is NOT to be operated by children.
5. This outdoor fireplace is NOT to be used in or on boats or recreational vehicles.
6. Always use in accordance with all applicable local, state and national codes. Contact your local fire department for details on outdoor burning.
7. When using this outdoor fireplace, exercise the same precautions you would with any open fire.
8. The use of alcohol, prescription or non-prescription drugs may impair the consumer's ability to properly assemble or safely operate this outdoor fireplace.
9. Do NOT use this outdoor fireplace without reading the entire "Owner's Manual".
10. This outdoor fireplace is for use with dry, seasoned hardwood. It will burn hotter, more completely and create less smoke.
11. Do NOT burn charcoal briquets, lump charcoal, manufactured logs, driftwood, trash, leaves, paper, cardboard, plywood, painted or stained or pressure treated wood. Avoid using softwoods such as pine or cedar that can throw sparks.
12. Do NOT alter this outdoor fireplace in any manner.
13. Do NOT use this outdoor fireplace until it is COMPLETELY assembled and all parts are securely fastened and tightened.
14. Do NOT store or use gasoline or other flammable vapors or liquids in the vicinity of this or any other appliance.
15. Do NOT store or use an LP gas cylinder within 10 feet (3.05 m) of this outdoor fireplace while it is in operation.
16. Do NOT use this outdoor fireplace near automobiles, trucks, vans or recreational vehicles.
17. Do NOT use in an explosive atmosphere. Keep outdoor fireplace area clear and free from combustible materials, gasoline and other flammable liquids.
18. Do NOT use this outdoor fireplace under any overhead or near any unprotected combustible constructions. Avoid using near or under overhanging trees and shrubs.
19. Always use this outdoor fireplace on a hard, level non-combustible surface such a concrete, rock or stone. An asphalt or blacktop surface may not be acceptable for this purpose. Do NOT use on wooden decks.
20. Always empty this outdoor fireplace before each use. Leave a thin layer of ash to protect the bottom.
21. Do NOT wear flammable or loose clothing when operating this outdoor fireplace.
22. Do NOT use in windy conditions.
23. Do NOT use this outdoor fireplace unless spark guards are securely in place.
24. Do NOT use gasoline, kerosene, diesel fuel, lighter fluid or alcohol to light or relight fires.
25. Keep all electrical cords away from a hot fireplace.
26. All surfaces of this outdoor fireplace are hot when in operation. To avoid burns, do NOT touch fireplace until it has completely cooled unless you are wearing protective gear (Potholders, gloves, BBQ mittens, hot pads & etc.). Never touch ashes or coals to see if they are hot.
27. Do NOT leave a lit outdoor fireplace unattended, especially around children and pets.
28. Do NOT attempt to move or store this outdoor fireplace until all ashes and coals are completely extinguished.
29. Do NOT remove ashes or coals until they are completely and fully extinguished.
30. Use heat-resistant gloves or hot pads when contacting handles.
31. Use long, sturdy fireplace tools when adding or moving logs.
32. Do NOT place wood directly into bottom of the outdoor fireplace. Place wood only on the wood grid.
33. Do NOT overload the fireplace. Do not add additional firewood until the fire burns down. NOTICE: If any portion of the bowl, lid or spark guards of this outdoor fireplace are glowing red it is overloaded.
34. Do NOT lean over this outdoor fireplace when lighting or when in use.
35. Do NOT place a hot spark guard or hot fireplace tools onto combustible surfaces such as grass, wooden deck or furniture.
36. Avoid breathing smoke from the fire and avoid getting it into your eyes.
37. This outdoor fireplace should be thoroughly inspected and cleaned on a regular basis.
38. After a period of storage and/or non-use, check for signs of damage and creosote build-up. Do NOT operate until necessary repairs and/or cleanup are executed.
39. Use only Blue Rhino Global Sourcing, LLC factory authorized parts. The use of any part that is NOT factory authorized can be dangerous and will void your warranty.
40. Deaths, serious injury or damage to property may occur if the above is not followed exactly.

Assembly Instructions

DO NOT RETURN PRODUCT TO STORE.

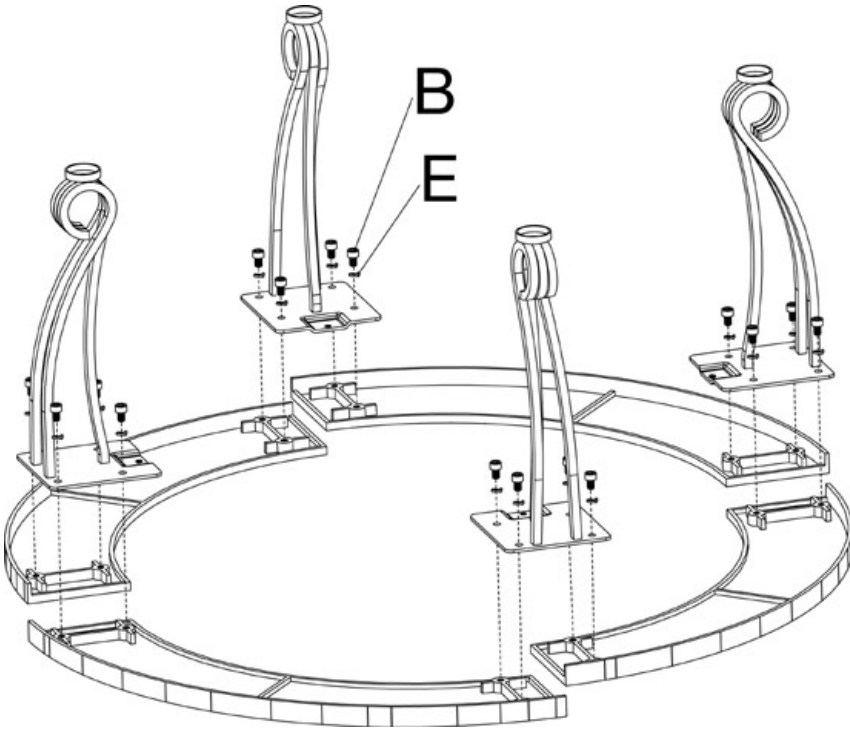
For assistance call 1.800.762.1142 toll free. Please have your owner's manual and serial number available for reference.

For Easiest Assembly:

- To avoid losing any small components or hardware, assemble your product on a hard level surface that does not have cracks or openings.
- Clear an area large enough to layout all components and hardware.
- When applicable, tighten all hardware connections by hand first. Once the step is completed go back and fully tighten all hardware.
- Follow all steps in order to properly assemble your product.

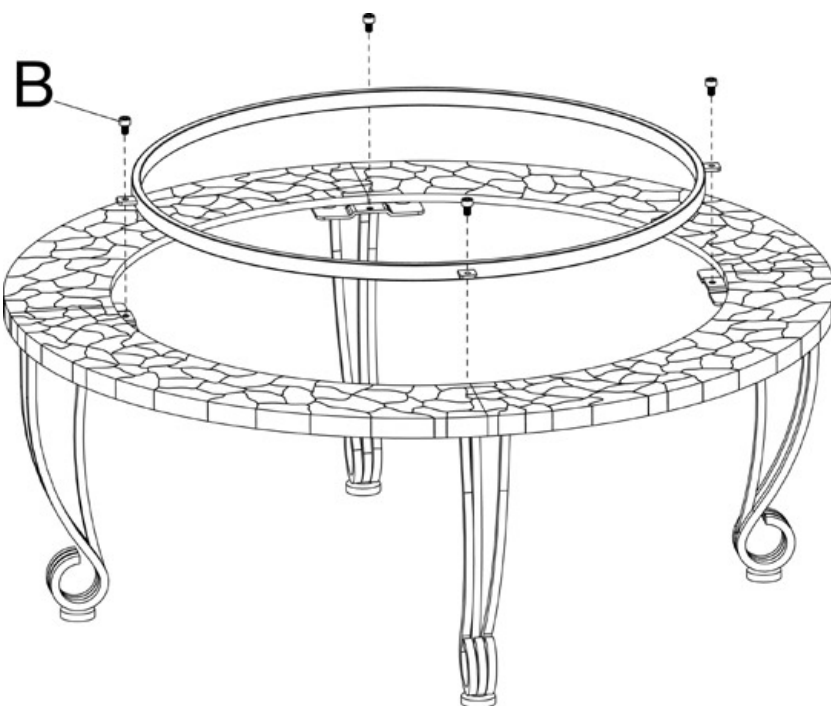
Step 1 Assemble legs

Attach legs to hearth using 16 sets of hex screws (B) and lock washers (E).



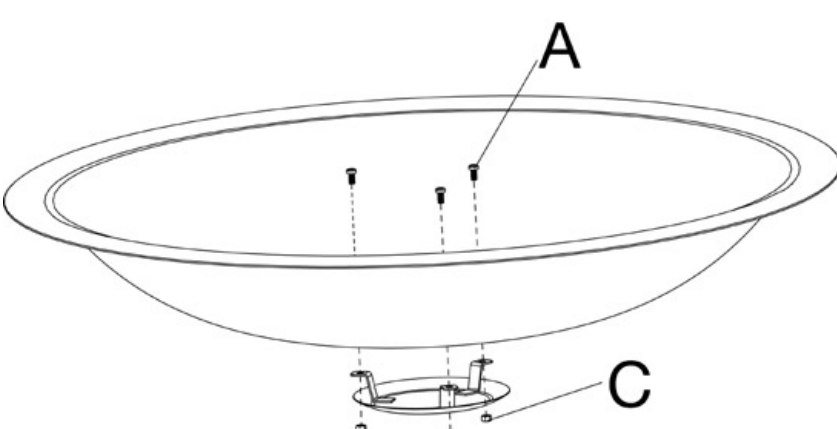
Step 2 Attach bowl support

Attach bowl support to legs using 4 hex screws (B).



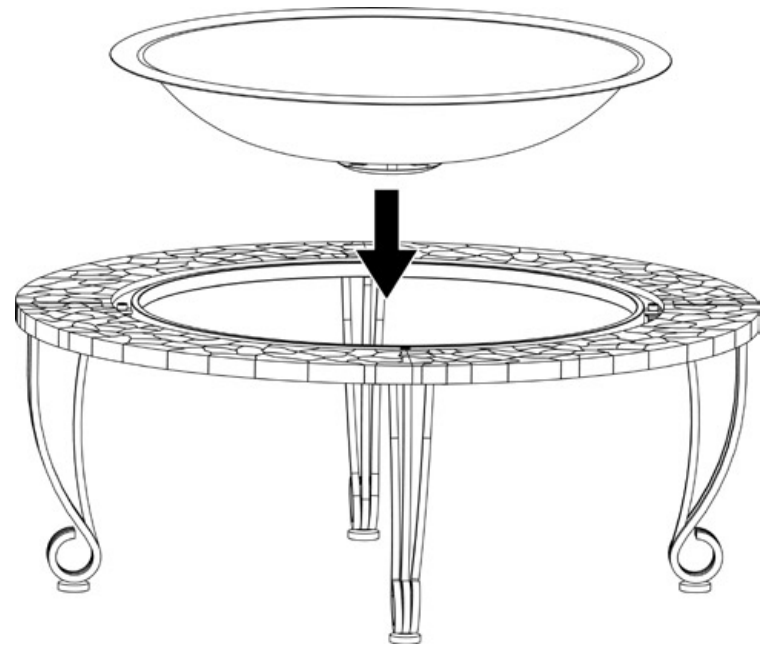
Step 3 Assemble bottom bowl

Attach ash receiver to bottom bowl using 3 sets of screw (A) and small nut (C).



Step 4 Insert bottom bowl

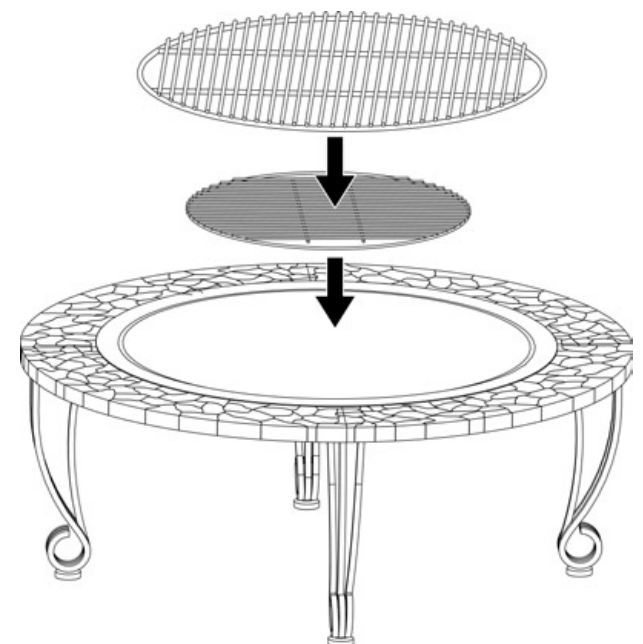
Insert bottom bowl onto bowl support.



Step 5 Insert wood grate and cooking grid

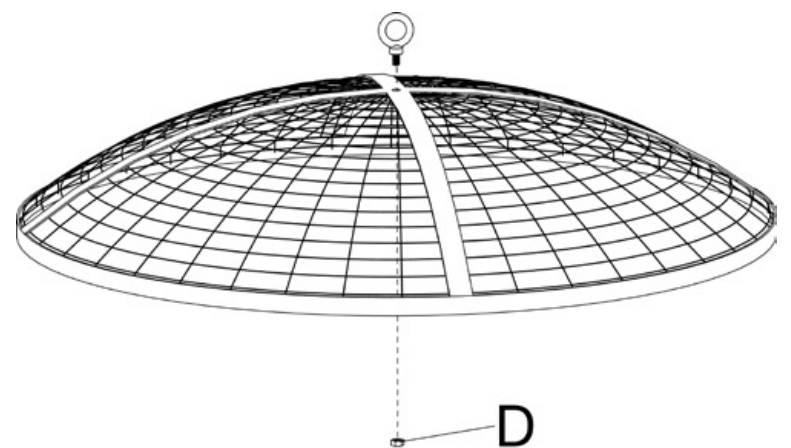
A. Insert wood grate into bottom bowl.

B. Insert cooking grid into bottom bowl.



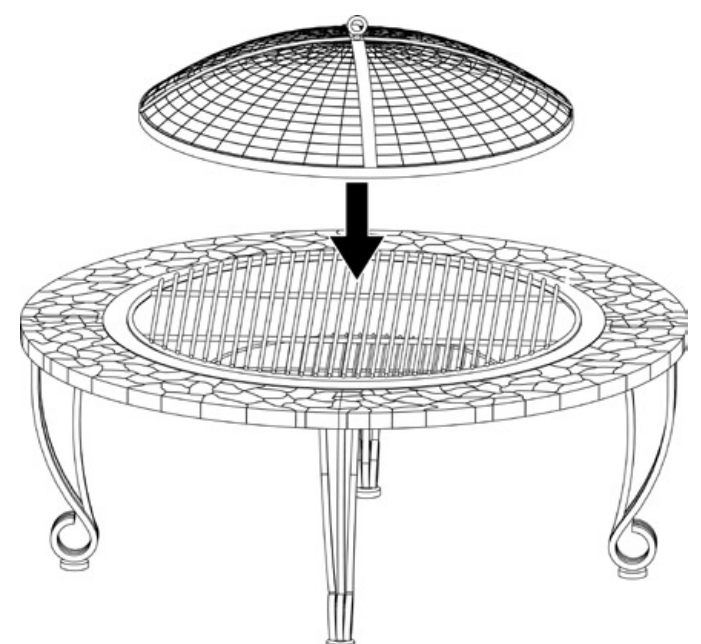
Step 6 Assemble spark arrestor

Attach the handle to spark arrestor using large nut (D).



Step 7 Place spark arrestor

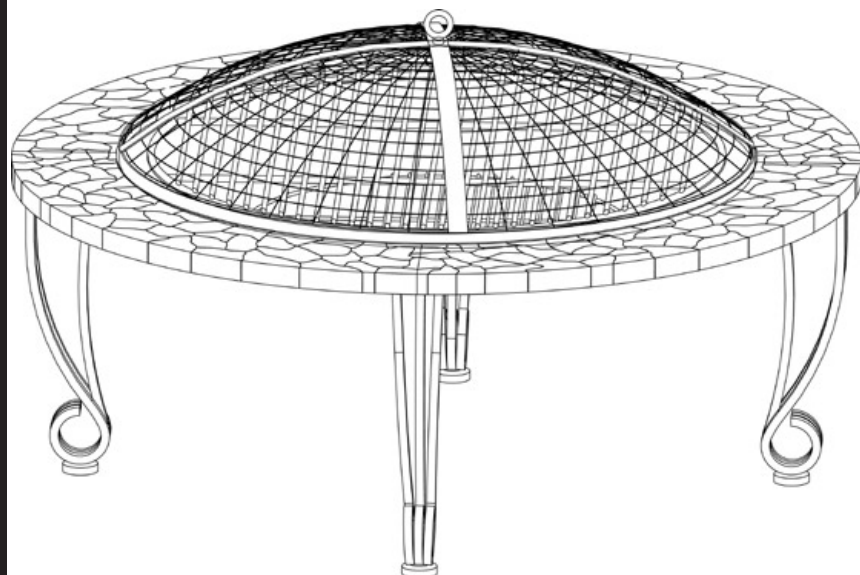
Place spark arrestor onto bottom bowl.



Step 8 Completed

8

Congratulations your assembly is now complete. Read Operating Instructions before proceeding.



Operating Instructions



WARNING FOR YOUR SAFETY

Before using this outdoor fireplace, make sure you have read, understand and are following all information provided in the Important Safeguards presented on page 1. Failure to follow those instructions can cause death, serious injury or property damage.

Lighting

1. Make sure there is only a small amount of ash in the bottom of the bowl.
2. Place a layer of dry kindling or a natural firestarter such as Fatwood™ onto the center of the grate.
3. Place above that a layer of dry seasoned hardwood that is cut to lengths no more than 3/4 the diameter of the bowl.
4. Use a match to light kindling or firestarter.
5. Replace spark arrestor once the kindling or firestarter is lit.

Tending the Fire

You may need to shift and/or add logs for an ideal experience.

Reminders:

- Always wear protective gloves or a pot holder when tending a fire.
- Wait until glowing coals have developed before adding any additional wood.
- Do NOT add gasoline, kerosene, diesel fuel, lighter fluid or alcohol to relight or enhance an existing fire.

1. Carefully remove spark arrestor.
2. While using a long handled fireplace tool, shift coals and logs to allow additional airflow.
3. If additional wood is required, place wood on top coals. Be careful not to shift ashes.
4. Replace spark arrestor.

Extinguishing

1. Allow fire to burn itself out.
2. Do NOT use water to extinguish as this is dangerous and can cause damage to this outdoor fireplace.

Cleaning & Care

Inspecting

This outdoor fireplace should be inspected on a regular basis to ensure product safety and longer product life.

Do NOT attempt to inspect this outdoor fireplace until the fire is COMPLETELY out.

1. Check handles to make sure they are secure.
2. Check components for any signs of damage or rust.
3. If damage to any component is detected, do NOT operate until repairs are executed.

Cleaning

This outdoor fireplace should be cleaned on a regular basis to promote safer experiences and longer product life.

Note: After repeated use, a slight discoloration of the finish may occur.

Do NOT attempt to clean this outdoor fireplace until the fire is COMPLETELY out.

Do NOT use oven cleaner or abrasive cleaners as they will damage this product.

Do NOT clean any part of this outdoor fireplace in a self cleaning oven as it may damage the finish.

1. Wipe exterior surfaces with a mild dishwashing detergent or baking soda.
2. For stubborn surfaces use a citrus based degreaser and a nylon scrubbing brush.
3. Rinse clean with water.
4. Remove built-up creosote from components with a chimney cleaning product.

Storage

Do NOT move or store this outdoor fireplace until the fire is COMPLETELY out.

1. Once the fire is out, coals are cold and outdoor fireplace is cool to the touch, remove ashes and properly dispose.
2. Cover outdoor fireplace with a durable vinyl cover designed to fit this unit.
3. Store assembled in a location away from children and pets.

Note: If you do not use a cover, store this outdoor fireplace in a dry location to maximize product life.

Product Registration

Please register your product immediately at www.BlueRhino.com or call 1.800.762.1142.

Limited Warranty

Blue Rhino Global Sourcing, LLC ("Vendor") warrants to the original retail purchaser of this outdoor fireplace, and to no other person, that if this outdoor fireplace is assembled and operated in accordance with the printed instructions accompanying it, then for a period of one (1) year from the date of purchase, all parts in such outdoor fireplace shall be free from defects in material and workmanship. Vendor may require reasonable proof of your date of purchase. Therefore, you should retain your sales slip or invoice. This Limited Warranty shall be limited to the repair or replacement of parts, which prove defective under normal use and service and which Vendor shall determine in its reasonable discretion upon examination to be defective. Before returning any parts, you should contact Vendor's Customer Service Department using the contact information listed below. If Vendor confirms, after examination, a defect covered by this Limited Warranty in any returned part, and if Vendor approves the claim, Vendor will replace such defective part without charge. If you return defective parts, transportation charges must be prepaid by you. Vendor will return replacement parts to the original retail purchaser, freight or postage prepaid.

This Limited Warranty does not cover any failures or operating difficulties due to accident, abuse, misuse, alteration, misapplication, improper installation or improper maintenance or service by you or any third party, or failure to perform normal and routine maintenance on the outdoor fireplace, as set out in this owner's manual.

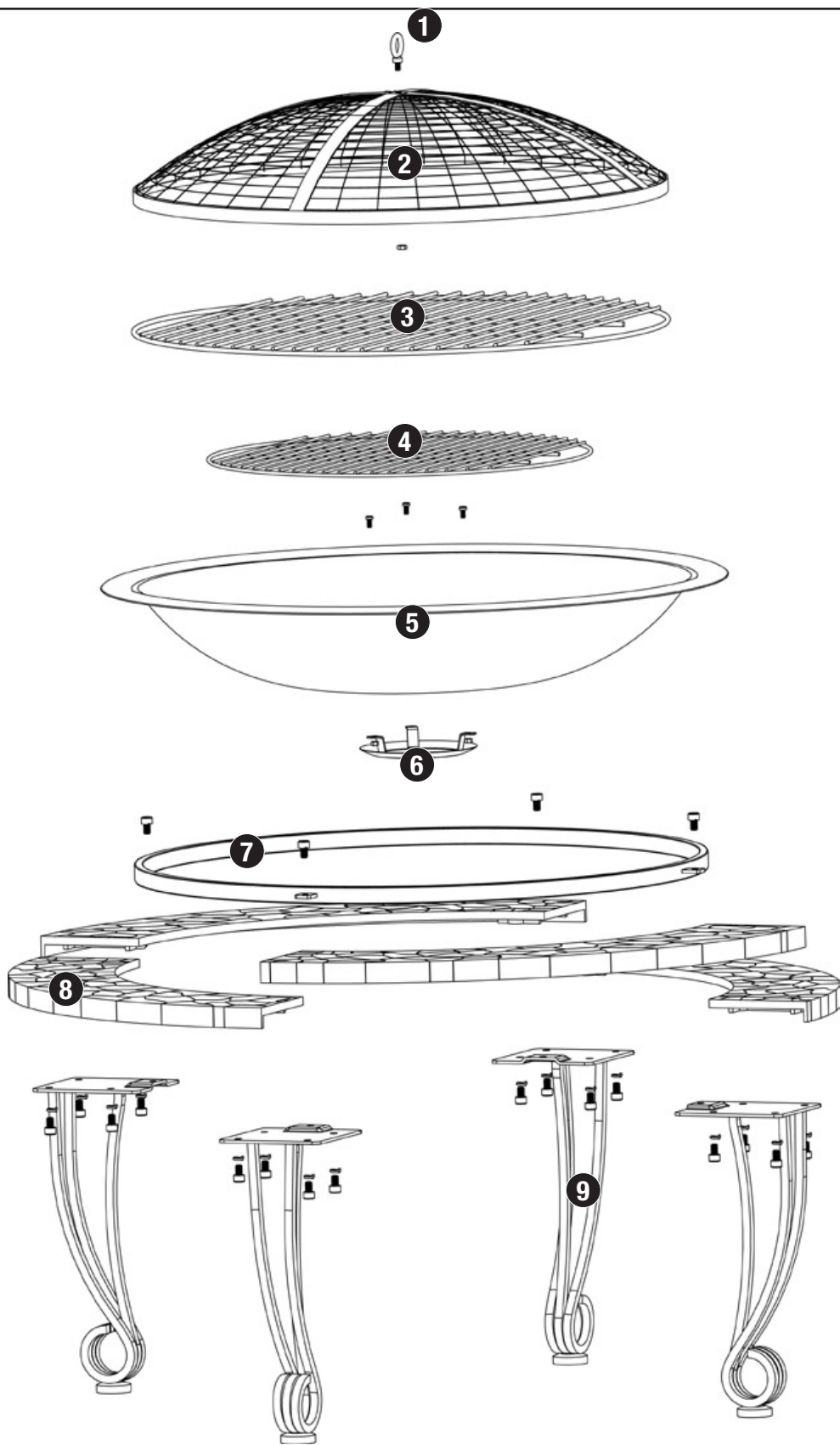
This Limited Warranty is in lieu of all other express warranties. Vendor disclaims all warranties for products that are purchased from sellers other than authorized retailers or distributors, including the warranty of merchantability or the warranty of fitness for a particular purpose. VENDOR ALSO DISCLAIMS AND ANY ALL IMPLIED WARRANTIES, INCLUDING WITHOUT LIMITATION THE IMPLIED WARRANTIES OF MERCHANTABILITY AND FITNESS FOR A PARTICULAR PURPOSE. VENDOR SHALL NO LIABILITY TO PURCHASER OR ANY THIRD PARTY FOR ANY SPECIAL, INDIRECT, PUNITIVE, INCIDENTAL, OR CONSEQUENTIAL DAMAGES. Vendor further disclaims any implied or express warranty of, and assumes no responsibility for, defects in workmanship caused by third parties. This Limited Warranty gives the purchaser specific legal rights; a purchaser may have other rights depending upon where he or she lives. Some jurisdictions do not allow the exclusion or limitation of special, incidental or consequential damages, or limitations on how long a warranty lasts, so the above exclusion and limitations may not apply to everyone.

Vendor does not authorize any person or company to assume for it any other obligation or liability in connection with the sale, installation, use, removal, return, or replacement of its equipment, and no such representations are binding on Vendor.

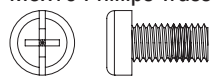

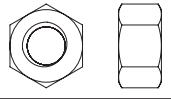
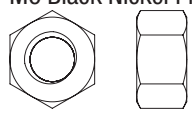
Blue Rhino Global Sourcing, LLC
104 Cambridge Plaza Drive
Winston-Salem, North Carolina 27104 USA
(800) 762-1142
24 Hour Fax: (336) 659-6743
CustomerService@BlueRhino.com

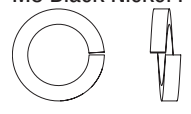
Exploded View

- 1. Handle 55-05-123
- 2. Spark Arrestor 55-05-132
- 3. Cooking Grid 55-05-135
- 4. Wood Grate 55-05-133
- 5. Bottom Bowl 55-05-121
- 6. Ash Receiver 55-05-120
- 7. Bowl Support 55-05-122
- 8. Hearth (4) 55-05-126
- 9. Leg (4) 55-05-128



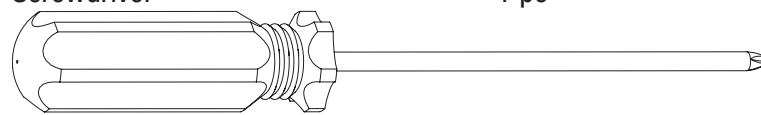
Hardware / Actual Size

<p>A. Screw 3 pcs M5x10 Phillips Truss Head Screw</p> 
<p>B. Socket head Screw 20 pcs M8 Black Nickel Plated Hex Screw</p> 
<p>C. Small Nut 3 pcs M5 Black Nickel Plated Hex Nut</p> 
<p>D. Large Nut 1 pc M6 Black Nickel Plated Hex Nut</p> 

<p>E. Lock Washer 16 pcs M8 Black Nickel Plated Lock Washer</p> 
--

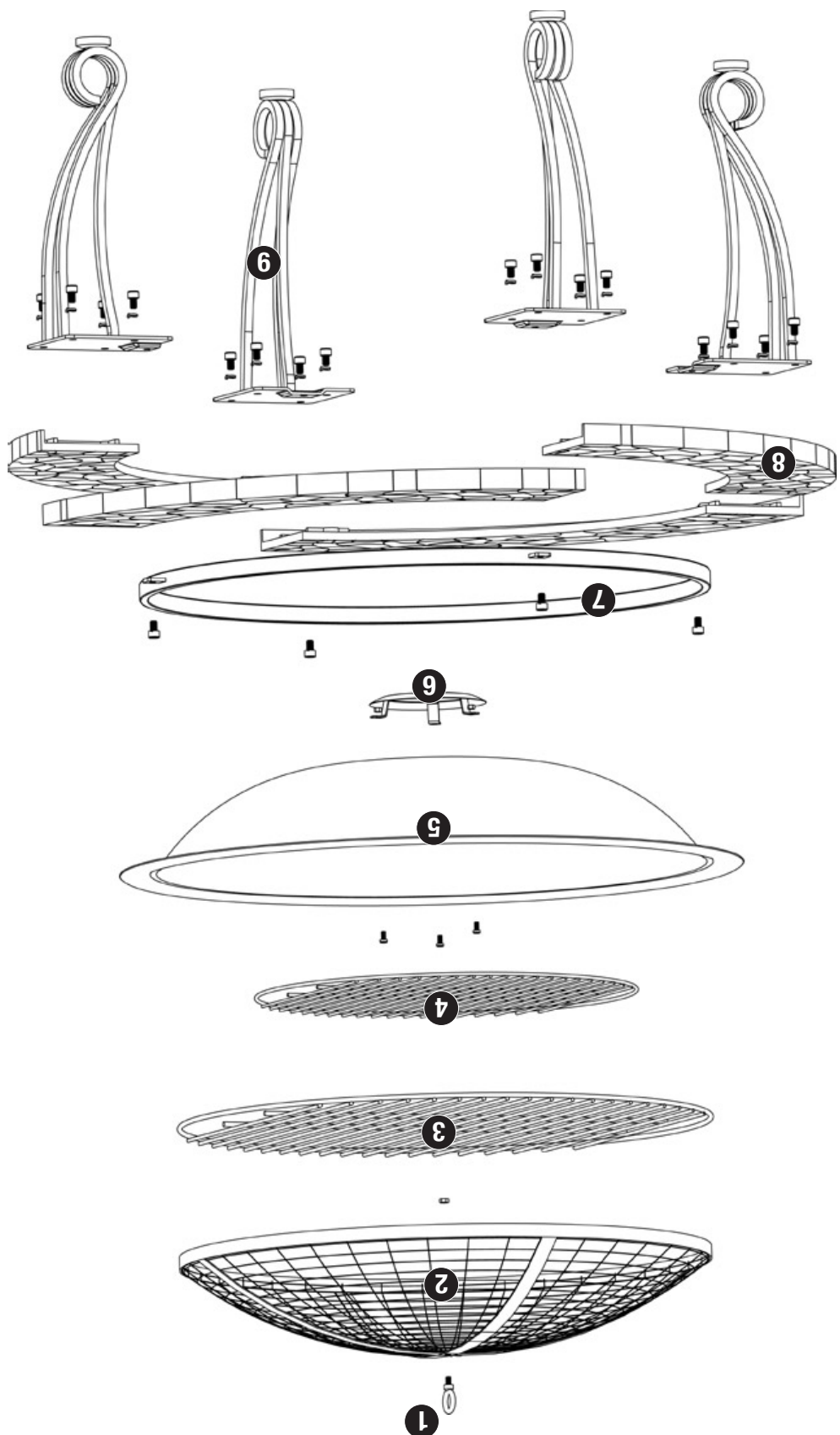
<p>F. 6mm Allen Wrench* 1 pc</p> 

Additional Hardware Needed:

<p>G. Screwdriver* 1 pc</p> 
--

*Not shown at actual size.

- Vue éclatée**
- 1. Poignée 55-05-123
 - 2. Pare-étincelles 55-05-132
 - 3. Grille de cuisson 55-05-135
 - 4. Grille à bûches 55-05-133
 - 5. Bol 55-05-121
 - 6. Récupérateur de cendre 55-05-120
 - 7. Anneau de support du bol 55-05-122
 - 8. Plaque de bordure (4) 55-05-126
 - 9. Pied (4) 55-05-128



Pièces de quincaillerie / Taille réelle

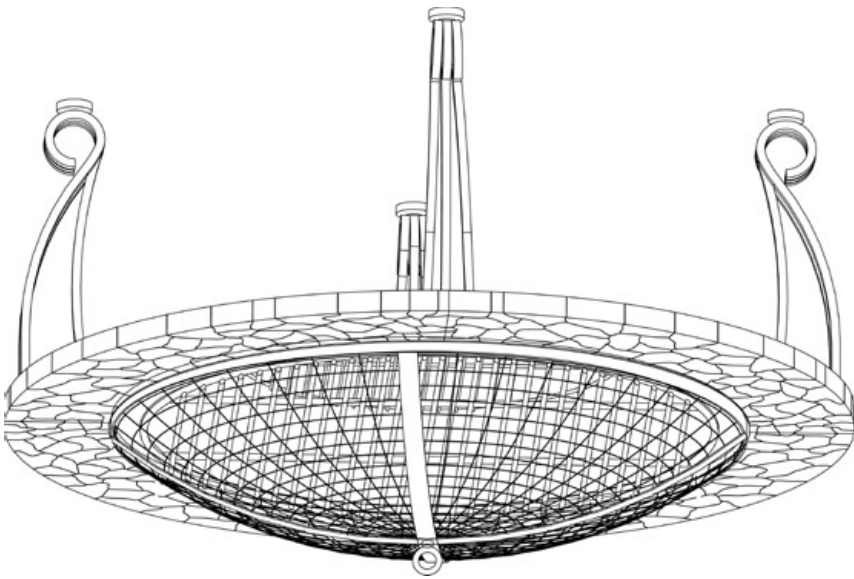
A. Vis à tête bombée Phillips M5x10	3
B. Vis à pans creux Boulon niqué noir à tête hexagonale M8	20
C. Petit écrou Écrou noir niqué à tête hexagonale M5	3
D. Grand écrou Écrou noir niqué à tête hexagonale M6	1

Outils supplémentaires nécessaires:

E. Rondelle de blocage Rondelle de blocage niquée noire M8	16
F. Clé Allen de 6mm*	1
G. Tournevis*	1

*Cet article n'est pas indiqué à sa taille réelle.

Félicitations, vous venez de terminer l'assemblage. Veuillez lire les instructions d'utilisation avant de pourvoir.



Utilisation



Avant d'utiliser le foyer extérieur, veuillez lire, comprendre et suivre toutes les informations figurant dans les Consignes de sécurité importantes de la page 1. Le non-respect de ces consignes risque de provoquer des dégâts matériels, des blessures graves voire la mort.

MISE EN GARDE

POUR VOTRE SÉCURITÉ:

Allimage

1. Assurez-vous qu'il ne reste qu'une petite quantité de cendre au fond du foyer extérieur.

2. Placez une couche de brindilles sèches ou un allume-feu naturel tel que du Fatwood™ au centre de la grille.

3. Placez au-dessus de cette couche du bois sec dont la longueur ne dépassera pas les 3/4 du diamètre du bol.

4. Utilisez une allumette pour mettre le feu aux brindilles ou l'allume-feu.

5. Remplacez le pare-étincelles une fois que les brindilles ou l'allume-feu se sont enflammés.

Entretien le feu

Vous devrez probablement déplacer et/ou ajouter quelques bûches pour une chaleur optimale.

Ne pas oublier:

- Veillez à toujours porter des gants ou des maniques lorsque vous entretenez le feu.
- Attendez que des braises se soient formées avant de rajouter du bois.
- N'utilisez PAS de liquides inflammables tels que de l'essence, de l'alcool, du carburant diesel, du kérosène ou du liquide allume-barbecue pour allumer ou rallumer le feu.

1. Retirez le pare-étincelles avec précaution.

2. Utilisez un accessoire de foyer à long manche pour déplacer des braises ou des bûches afin d'améliorer le passage de l'air.

3. Si vous devez rajouter du bois, placez le bois sur les braises. Faites attention à ne pas déplacer les cendres.

4. Remplacez le pare-étincelles.

Eteindre le foyer extérieur

1. Laissez le feu s'éteindre de lui-même.

2. Veillez à NE PAS utiliser d'eau pour éteindre le feu car vous risquez d'endommager le foyer extérieur.

Nettoyage et entretien

Ce foyer extérieur doit être vérifié régulièrement pour qu'il fonctionne en toute sécurité et afin d'en assurer la pérennité.

Ne tentez PAS de vérifier le foyer extérieur avant que le feu ne se soit COMPLÈTEMENT éteint.

1. Vérifiez les poignées afin de vous assurer qu'elles sont bien fixées.

2. Vérifiez les pièces du foyer afin de vous assurer qu'elles ne sont endommagées et ne présentent pas de trace de rouille.

3. Si une pièce quelleconque s'avère défectueuse, n'utilisez PAS le foyer avant d'avoir effectué les réparations nécessaires.

Nettoyer le foyer extérieur

Ce foyer extérieur doit être nettoyé régulièrement pour qu'il fonctionne en toute sécurité et afin d'en assurer la pérennité.

Remarque: Après plusieurs utilisations, le métal risque de présenter une légère décoloration.

Ne tentez PAS de nettoyer le foyer extérieur avant que le feu ne se soit COMPLÈTEMENT éteint.

N'utilisez PAS de produit à nettoyer les fours ni de nettoyeurs abrasifs car ils endommageront le foyer.

NE placez aucune pièce du foyer extérieur dans un four autonettoyant. La chaleur extrême endommagera le fini du foyer.

1. Essuyez les surfaces extérieures du foyer avec un liquide à vaisselle doux ou du bicarbonate de soude.

2. Pour les tâches coriaces, utilisez un dégraissant au citron et une brosse de nettoyage en nylon.

3. Rincez à l'eau.

4. Retirez toute accumulation de dépôts de créosote sur les pièces à l'aide d'un produit de nettoyage pour cheminée.

Remiser le foyer extérieur

Ne tentez PAS de remiser le foyer extérieur avant que le feu ne se soit COMPLÈTEMENT éteint.

1. Attendez que le feu se soit complètement éteint et que les braises et le foyer extérieur soient froids au toucher, retirez les cendres et jetez-les à la poubelles comme il se doit.

2. Recouvrez le foyer extérieur avec une housse de protection résistante en vinyle d'une taille adéquate pour ce modèle.

3. Remisez le foyer extérieur complètement assemblé hors de la portée des enfants et des animaux domestiques et de compagnie.

Remarque: Si vous n'utilisez pas de housse de protection, remisez le foyer extérieur dans un endroit sec afin d'en assurer la pérennité.

Enregistrement de l'appareil

Veuillez enregistrer votre appareil immédiatement sur le site internet www.BlueRhino.com ou appelez le 1.800.762.1142.

Garantie Limitée

La société Blue Rhino Sourcing, LLC ("le fabricant") garantit ce foyer extérieur au premier acheteur et à aucune autre personne, contre tout vice de fabrication et de matériau de fabrication défectueux pendant une durée d'un (1) an à partir de la date d'achat si l'appareil est monté et utilisé conformément aux instructions imprimées fournies. Le fabricant vous demandera sans doute une preuve raisonnable d'achat provenant du détaillant ou du distributeur agréé. Veuillez donc conserver votre facture ou votre reçu.

Cette garantie limitée se limitera à la réparation ou au remplacement de pièces ayant été déterminées défectueuses par le fabricant lors de conditions d'utilisation et d'entretien normales. Avant de renvoyer une pièce, contactez le service à la clientèle du fabricant (Customer Service Department) à l'adresse ci-dessous. Si le fabricant confirme le défaut de fabrication comme étant couvert par la garantie et approuve la réclamation, ce dernier remplacera gratuitement les dites pièces. Si vous devez renvoyer des pièces défectueuses, les pièces devront être expédiées port-payé. Le fabricant s'engage à renvoyer les pièces à l'acheteur initial port-payé

Cette garantie limitée ne couvre pas les panes et dysfonctionnements survenant suite à tout accident, mauvais usage, entretien incorrect du foyer extérieur, ou toute modification, mauvaise installation ou négligence comme il a été établi dans ce manuel. De plus, cette garantie limitée ne couvre pas le fini, à savoir les rayures, les bosses, les traces de décoloration, de rouille ou les dommages résultant des intempéries après achat de l'article.

Cette garantie limitée remplace toute autre garantie expresse et il n'existe aucune autre garantie expresse à l'exception de la couverture indiquée ici. Le fabricant désavoue toute garantie couvrant des produits ayant été achetés auprès de revendeurs autres que les revendeurs et distributeurs agréés y compris toute garantie de commercialité et de qualité marchande ou d'adaptation à un usage particulier. APRÈS UN (1) AN, À SAVOIR LA DURÉE DE LA COUVERTURE DE LA GARANTIE EXPRESSE, LE FABRICANT DÉSAVOUE ET DÉCLINE TOUTE GARANTIE IMPLICITE Y COMPRIS TOUTE GARANTIE DE COMMERCIALITÉ ET D'ADAPTATION À UN USAGE PARTICULIER. DE PLUS, LE FABRICANT NE POURRA ÊTRE TENU RESPONSABLE PAR L'ACHETEUR OU UN TIERS POUR TOUS DÉGÂTS ET DOMMAGES PARTICULIERS, INDIRECTS, PUNITIFS OU CONSÉCUTIFS. Le fabricant décline toute responsabilité en cas de panne ou dysfonctionnement résultant d'une modification ou altération effectuée par un tiers. Cette garantie limitée possède des droits juridiques spécifiques à l'acheteur et il est possible que ce dernier en ait la limitation de dommages consécutifs ou accessoires et ces limitations peuvent ne pas vous être applicables.

Le fabricant ne permet en aucun cas à une personne ou à une société de s'attribuer des responsabilités et les obligations liées à la vente, l'installation, l'utilisation, la dépose ou le remplacement de cet appareil, et aucune de ces représentations n'engage la responsabilité du fabricant.

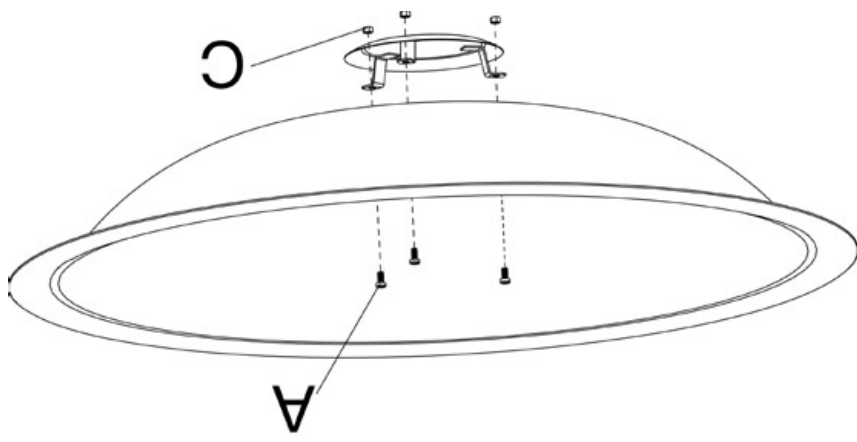
Blue Rhino Global Sourcing, LLC

104 Cambridge Plaza Drive, Winston-Salem, North Carolina 27104, États-Unis

Téléphone (800) 762-1142 • Télécopie 24h par jour: (336) 659-6743

CustomerService@BlueRhino.com

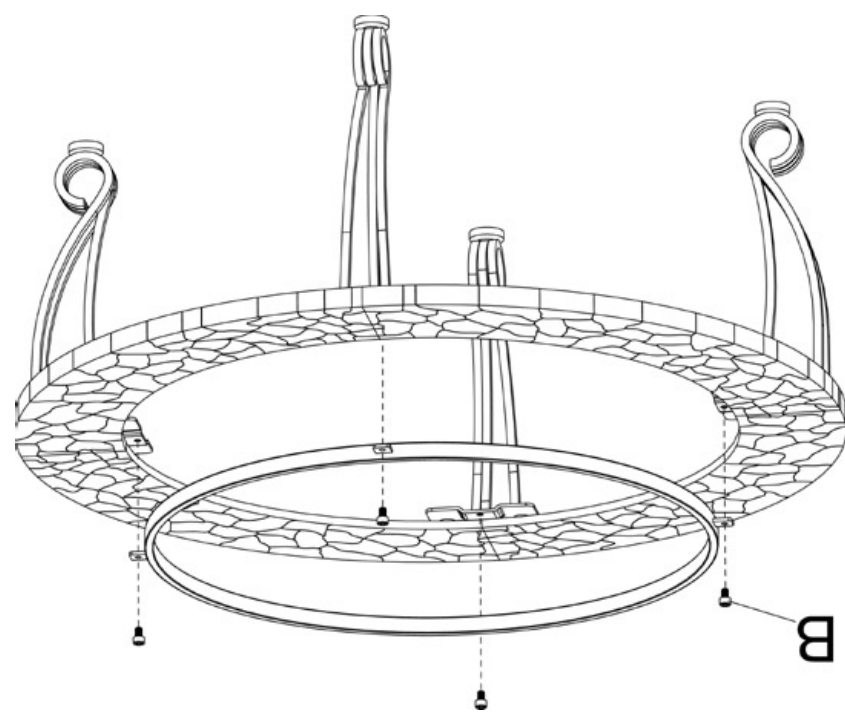
Étape 3



Fixez le récupérateur de cendre au bol en utilisant 3 vis (A) et 3 petits écrous (C).

Assembler le bol

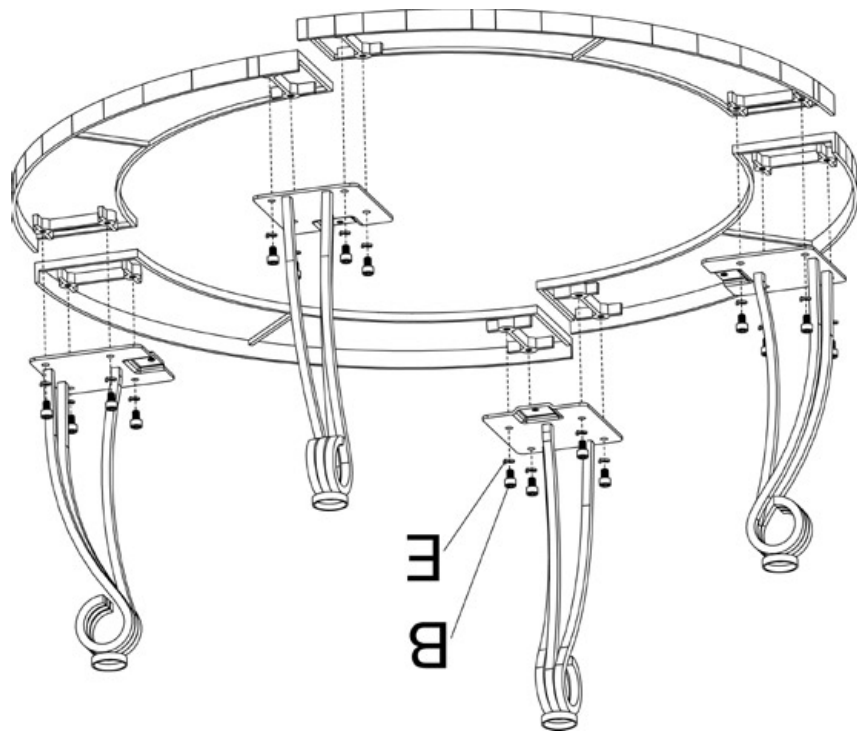
Paso 2



Fixez l'anneau de support du bol aux pieds en utilisant 4 vis hexagonales (B).

Fixer l'anneau de support du bol

Étape 1



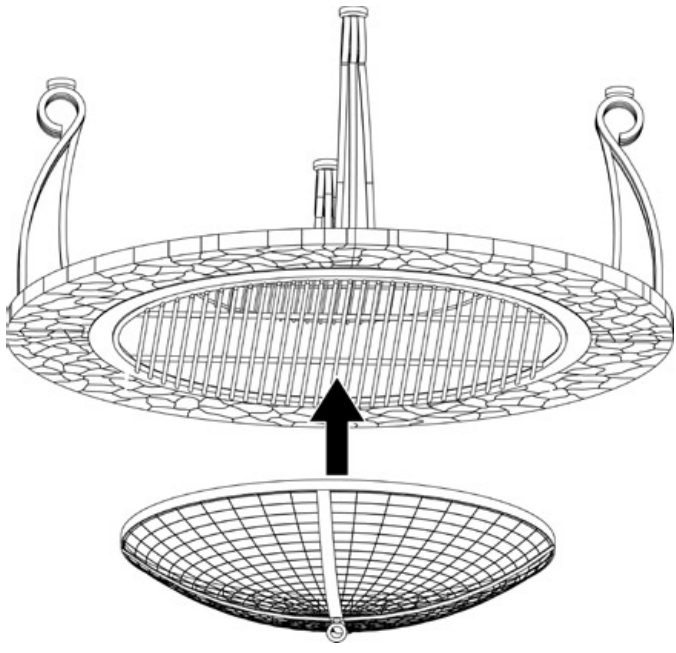
Fixez les pieds à la bordure du foyer en utilisant 16 vis hexagonales (B) et 16 rondelles de blocage (E).

Fixer les pieds

- Pour faciliter l'installation:
- Pour éviter de perdre des petites pièces ou la quincaillerie d'installation, assemblez cet article sur une surface dure et plane qui ne comporte pas de trous ou de fissures.
- Prévoyez une surface de travail suffisamment grande afin d'étaler toutes les pièces et la quincaillerie d'installation.
- Lorsque nécessaire, serrez toute les fixations et la visserie en premier, puis une fois l'étape terminée, serrez-les à bloc.
- Suivez toutes les étapes dans l'ordre afin d'assembler correctement cet article.

Directives d'assemblage
 NE PAS RETOURNER AU MAGASIN AVEC CET ARTICLE.
 Pour toute assistance technique, appelez le numéro sans frais 1.800.762.1142. Faites en sorte que votre manuel d'utilisation et le numéro de série soient à portée de main afin de pouvoir vous y référer.

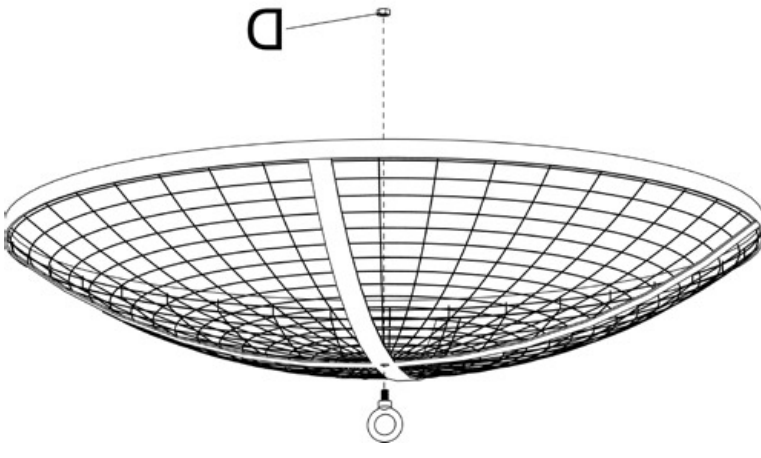
Étape 7



Placez le pare-étincelles sur le bol.

Placer le pare-étincelles

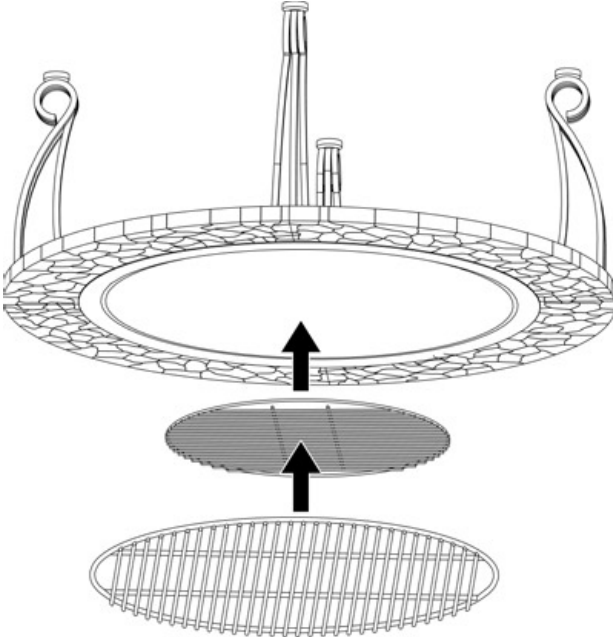
Étape 6



Fixez la poignée au pare-étincelles en utilisant le grand écrou (D).

Assembler le pare-étincelles

Étape 5

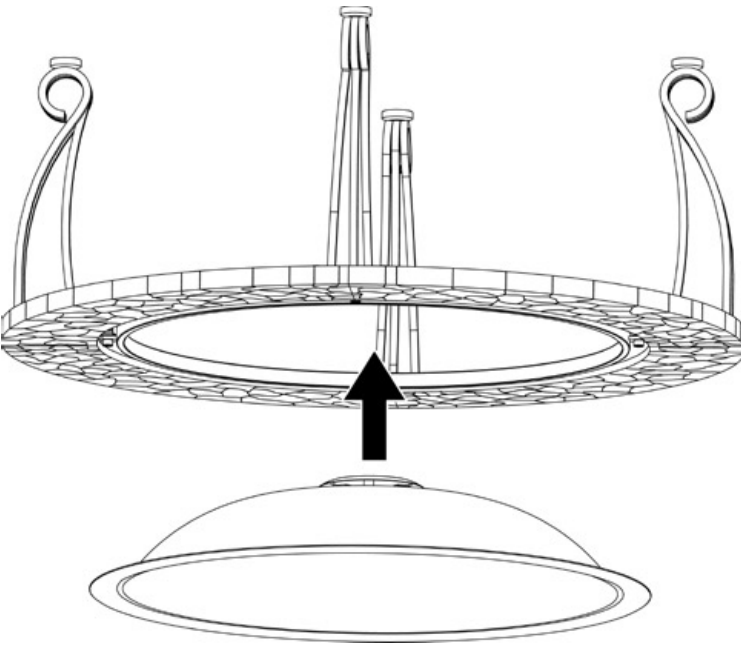


A. Placez la grille à bûches au fond du bol.

B. Placez la grille de cuisson au fond du bol.

Placer la grille à bûches et grille de cuisson

Étape 4



Placez le bol sur l'anneau de support.

Placer le bol



MISE EN GARDE POUR VOTRE SÉCURITÉ:

1. Ce foyer extérieur doit être utilisé uniquement à l'extérieur et ne doit PAS être utilisé dans un immeuble, un garage ou tout autre abri clos.
2. NE PAS utiliser le foyer extérieur pour se chauffer ou pour cuisiner à l'intérieur d'une maison. Des émanations TOXIQUES de monoxyde de carbone peuvent s'accumuler et provoquer l'asphyxie.
3. Ce foyer extérieur N'est PAS destiné à un usage commercial.
4. Ce foyer extérieur NE doit PAS être utilisé par des enfants.
5. Ce foyer extérieur NE doit PAS être utilisé à bord d'un bateau ou d'un véhicule récréatif.
6. Veiller à toujours utiliser le foyer extérieur conformément aux codes locaux, aux codes de l'état ou de la province ainsi qu'aux codes nationaux. Contacter les pompiers et les services de lutte contre les incendies pour de plus amples informations concernant l'incinération à l'extérieur et la prévention des incendies.
7. Faire preuve des mêmes précautions qu'en présence d'un feu normal de plein air.
8. La prise d'alcool, de médicaments ou de drogues risque de nuire à l'aptitude de l'utilisateur à assembler ou à utiliser le foyer extérieur en toute sécurité.
9. NE PAS utiliser ce foyer extérieur avant de lire complètement les instructions de "manuel d'utilisation".
10. Veiller à toujours utiliser du bois sec avec ce foyer extérieur. En effet, le bois sec brûlera plus chaud et d'une manière plus complète en provoquant moins de fumée.
11. NE PAS utiliser le foyer afin de brûler des briquettes de charbon de bois, du charbon, des bûches artificielles en bois d'aggloméré, du bois ayant séjourné dans l'eau, des ordures, des feuilles, du papier, du carton ou du contreplaqué, du bois peint, du bois teint ou ayant été traité sous pression. Éviter d'utiliser du bois tendre tel que du pin car il risque de provoquer des étincelles.
12. NE modifier en aucune façon ce foyer extérieur.
13. NE PAS utiliser le foyer extérieur à moins qu'il ne soit complètement assemblé et que les pièces ne soient toutes fixées et serrées.
14. NE PAS utiliser ni entreposer d'essence ou de liquides et autres vapeurs inflammables à proximité de cet appareil ou de tout autre appareil.
15. NE PAS entreposer une bonbonne de propane à moins de 10 pieds (3,05 mètres) du foyer extérieur lorsqu'il est utilisé.
16. NE PAS utiliser le foyer extérieur à proximité de voitures, camions, camionnettes ou véhicules récréatifs.
17. NE PAS utiliser le foyer extérieur en présence de vapeurs et émanations explosives. Veiller à ce que la zone autour du foyer demeure dégagée et dépourvue de matières combustibles, d'essence et d'autres liquides et vapeurs inflammables.
18. NE PAS utiliser ce foyer extérieur sous un abri, une structure suspendue ou en saillie ou à proximité de toute construction combustible non-protégée. Éviter de l'utiliser à proximité ou sous des arbres ou des buissons.
19. Placer toujours le foyer extérieur sur une surface plane, dure et noncombustible telle que du béton ou de la pierre. Il est déconseillé de le placer sur de l'asphalte ou du bitume. NE PAS le placer sur une terrasse en bois.
20. Vider toujours le foyer extérieur avant chaque utilisation. Laisser toujours une fine pellicule de cendre afin de protéger le fond du foyer extérieur.

21. NE PAS porter de vêtements inflammables ou amples lorsque vous utilisez le foyer extérieur.
22. NE PAS utiliser le foyer extérieur par grand vent.
23. NE PAS utiliser le foyer extérieur si les pare-étincelles ne sont pas correctement installés.
24. NE PAS utiliser de liquides inflammables tels que l'essence, l'alcool, le carburant diesel, le kérosène ou le liquide allume-barbecue pour allumer ou rallumer le feu.
25. Veiller à ce que les câbles et cordons électriques demeurent toujours loin du foyer extérieur lorsqu'il est chaud.
26. Toute la surface du foyer extérieur est chaude lorsqu'il fonctionne. Pour éviter tout risque de brûlure, NE PAS toucher le foyer extérieur avant qu'il n'ait complètement refroidi à moins de porter des vêtements de protection (gants, maniques, attirail de barbecue, etc.). Ne jamais toucher les cendres ni les braises afin de vérifier si elles sont chaudes.
27. Ne jamais laisser un foyer extérieur sans surveillance surtout si des enfants ou des animaux domestiques ou de compagnie sont à proximité.
28. NE PAS tenter de déplacer ou de remettre le foyer extérieur avant que les cendres ou les braises ne soient complètement éteintes.
29. NE PAS retirer les cendres ni les braises avant qu'elles ne soient complètement éteintes.
30. Utiliser des gants résistants à la chaleur ou des maniques pour saisir les poignées.
31. Utiliser des accessoires de foyer ou de cheminée longs et résistants pour ajouter ou déplacer des bûches.
32. NE PAS placer le bois directement dans le fond du foyer extérieur. Placer le bois uniquement sur la plaque ou la grille réservée à cet effet.
33. NE PAS trop charger le foyer afin de pouvoir fermer la porte sans difficulté. Ne pas rajouter de bois avant que le feu n'ait diminué. AVIS: Si une partie quelconque de la moitié inférieure, du couvercle ou des pare-étincelles du foyer extérieur sont rougeoissants, le foyer est trop chargé.
34. NE PAS se pencher au-dessus du foyer extérieur pour l'allumer ou s'il est déjà allumé.
35. NE PAS placer un pare-étincelles chaud ou un accessoire de foyer chaud sur une surface combustible telle que de l'herbe, le plancher d'une terrasse en bois ou sur un meuble.
36. Éviter de respirer la fumée du foyer extérieur et éviter tout contact avec les yeux.
37. Ce foyer extérieur doit être vérifié et nettoyé en entier régulièrement.
38. Après une période de remisage ou si le foyer extérieur n'a pas été utilisé pour une certaine période, s'arrêter que le foyer n'est pas endommagé et ne présente pas de traces de créosote. NE PAS utiliser le foyer extérieur s'il s'avère nécessaire de le réparer ou de le nettoyer.
39. Utiliser uniquement des pièces agréées de l'usine Blue Rhino Global Sourcing, LLC. L'emploi de toute pièce non agréée peut être dangereuse et entraînera l'annulation de la garantie.
40. Les consignes ci-dessus doivent être strictement respectées et le non-respect de ces consignes risque de provoquer des dégâts matériels ou d'entraîner des blessures graves voire la mort.



MANUEL D'UTILISATION

Foyer extérieur Modèle n° WAF517A-C

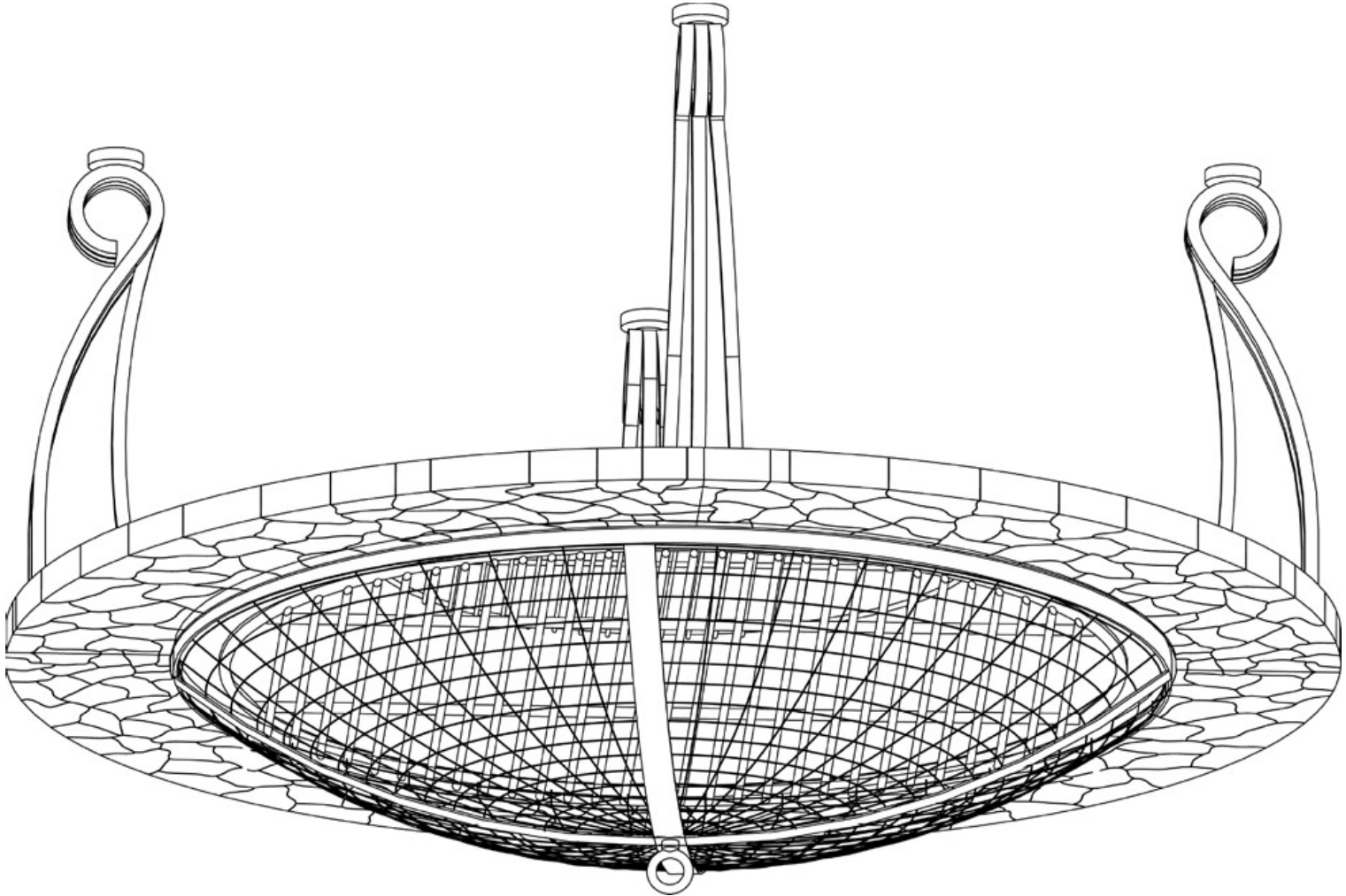


Table des matières

- 2..... Consignes de sécurité importantes
- 4..... Directives d'assemblage
- 4..... Utilisation
- 4..... Allumer le foyer extérieur
- 4..... Entretien le feu
- 4..... Éteindre le feu
- 4..... Nettoyage et entretien
- 4..... Inspecter le foyer extérieur
- 4..... Nettoyer le foyer extérieur
- 4..... Remiser le foyer extérieur
- 4..... Enregistrer l'appareil
- 4..... Garantie limitée
- Appendice A..... Vue éclatée des pièces et quincaillerie

Fabrique en Chine pour:
 Blue Rhino Global Sourcing, LLC
 104 Cambridge Plaza Drive, Winston-Salem, NC 27104 États-Unis
 1.800.762.1142, www.bluerhino.com
 © 2005 Blue Rhino Global Sourcing, LLC. Tous droits réservés.
 UniFlame® est une marque déposée de Blue Rhino Global Sourcing, LLC. Tous droits réservés.
 WAF517A-C-OM-100 EF

Conservez ces instructions afin de pouvoir les consulter ultérieurement. Si vous êtes en train d'assembler cet appareil pour une autre personne, veuillez lui fournir le manuel afin qu'elle puisse le lire et le consulter plus tard.

MISE EN GARDE
 POUR VOTRE SÉCURITÉ:

1. Toute installation défectueuse ou modification incorrecte ainsi que tout mauvais réglage ou entretien incorrect risque d'entraîner des blessures ou des dégâts matériels.

2. Lire complètement les instructions d'installation, d'utilisation et d'entretien avant de procéder à la maintenance de l'appareil ou de procéder à son entretien.

3. Le non-respect de ces consignes risque de provoquer un incendie ou une explosion et entraîner des dégâts matériels, des blessures graves voire la mort.

MISE EN GARDE
 POUR VOTRE SÉCURITÉ:

Pour usage à l'extérieur seulement (hors de tout abri clos)

Free Manuals Download Website

<http://myh66.com>

<http://usermanuals.us>

<http://www.somanuals.com>

<http://www.4manuals.cc>

<http://www.manual-lib.com>

<http://www.404manual.com>

<http://www.luxmanual.com>

<http://aubethermostatmanual.com>

Golf course search by state

<http://golfingnear.com>

Email search by domain

<http://emailbydomain.com>

Auto manuals search

<http://auto.somanuals.com>

TV manuals search

<http://tv.somanuals.com>