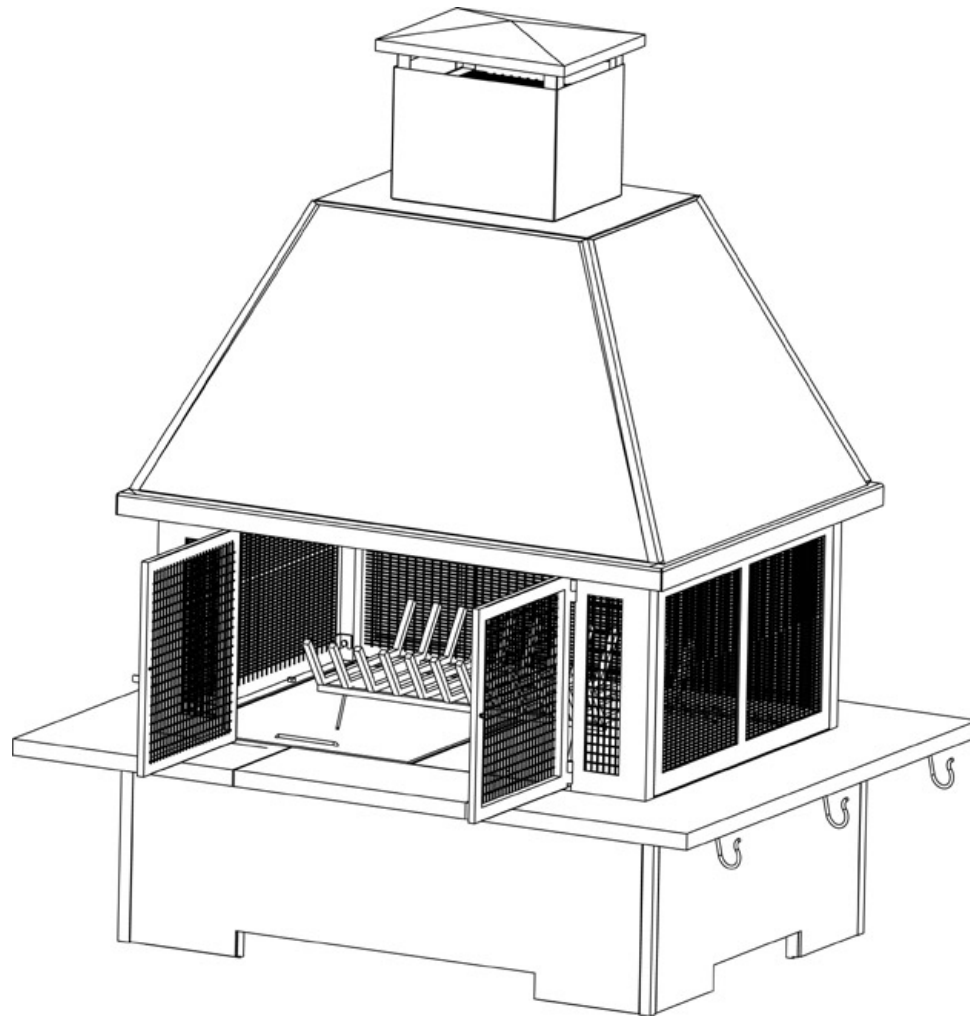




## Outdoor Fireplace Model No. WAF508H



**WARNING**  
**FOR YOUR SAFETY:**  
**For Outdoor Use Only**  
(outside any enclosure)

**WARNING**  
**FOR YOUR SAFETY:**

- 1. Improper installation, adjustment, alteration, service or maintenance can cause injury or property damage.**
- 2. Read the installation, operation, and maintenance instructions thoroughly before installing or servicing this equipment.**
- 3. Failure to follow these instructions could result in fire or explosion, which could cause property damage, personal injury, or death.**

Save these instructions for future reference. If you are assembling this unit for someone else, give this manual to him or her to read and save for future reference.

### Table of Contents

Important Safeguards .....	1
Exploded View & Hardware .....	2
Assembly Instructions .....	3
Operating Instructions .....	8
Lighting .....	8
Tending the Fire .....	8
Extinguishing .....	8
Cleaning and Care .....	8
Inspecting .....	8
Cleaning .....	8
Storing .....	8
Repairing cracked or dislodged stone .....	8
Color Touch Up .....	8
Product Registration .....	9
Limited Warranty .....	9

Manufactured in China for:  
Blue Rhino Global Sourcing, LLC  
104 Cambridge Plaza Drive, Winston-Salem, NC 27104 USA  
1.800.762.1142, www.bluerhino.com

© 2005 Blue Rhino Global Sourcing, LLC. All Rights Reserved  
UniFlame® is a Registered Trademark of Blue Rhino Global Sourcing, LLC. All Rights Reserved

WAF508H-OM-103 ES



**WARNING**  
**FOR YOUR SAFETY**

1. This appliance is for outdoor use only, and shall NOT be used in a building, garage, or any other enclosed area.
2. Do NOT use this outdoor fireplace for indoor heating. TOXIC carbon monoxide fumes can accumulate and cause asphyxiation.
3. This outdoor fireplace is NOT for commercial use.
4. This outdoor fireplace is NOT to be operated by children.
5. This outdoor fireplace is NOT to be used in or on boats or recreational vehicles.
6. Always use in accordance with all applicable local, state and national codes. Contact your local fire department for details on outdoor burning.
7. When using this outdoor fireplace, exercise the same precautions you would with any open fire.
8. Always use this outdoor fireplace on a hard, level non-combustible surface such a concrete, rock or stone. An asphalt or blacktop surface may not be acceptable for this purpose. Do NOT use on wooden decks.
9. The use of alcohol, prescription or non-prescription drugs may impair the consumer's ability to properly assemble or safely operate this outdoor fireplace.
10. Do NOT use this outdoor fireplace without reading the entire "Owner's Manual".
11. This outdoor fireplace is for use with dry, seasoned hardwood. It will burn hotter, more completely and create less smoke.
12. Do NOT burn charcoal briquets, lump charcoal, manufactured logs, driftwood, trash, leaves, paper, cardboard, plywood, painted or stained or pressure treated wood. Avoid using softwoods such as pine or cedar that can throw sparks.
13. Do NOT alter this outdoor fireplace in any manner.
14. Do NOT use this outdoor fireplace until it is COMPLETELY assembled and all parts are securely fastened and tightened.
15. Do NOT store or use gasoline or other flammable vapors or liquids in the vicinity of this or any other appliance.
16. Do NOT store or use an LP gas cylinder within 10 feet (3.05 m) of this outdoor fireplace while it is in operation.
17. Do NOT use this outdoor fireplace near automobiles, trucks, vans or recreational vehicles.
18. Do NOT use in an explosive atmosphere. Keep outdoor fireplace area clear and free from combustible materials, gasoline and other flammable liquids.
19. Do NOT use this outdoor fireplace under any overhead or near any unprotected combustible constructions. Avoid using near or under overhanging trees and shrubs.
20. Always empty this outdoor fireplace before each use. Leave a thin layer of ash to protect the bottom.
21. Do NOT wear flammable or loose clothing when operating this outdoor fireplace.
22. Do NOT use in windy conditions.
23. Do NOT use this outdoor fireplace unless spark guards are securely in place.
24. Do NOT use gasoline, kerosene, diesel fuel, lighter fluid or alcohol to light or relight fires.
25. Keep all electrical cords away from a hot fireplace.
26. All surfaces of this outdoor fireplace are hot when in operation. To avoid burns, do NOT touch fireplace until it has completely cooled unless you are wearing protective gear (Potholders, gloves, BBQ mittens, hot pads & etc.). Never touch ashes or coals to see if they are hot.
27. Do NOT leave a lit outdoor fireplace unattended, especially around children and pets.
28. Do NOT attempt to move or store this outdoor fireplace until all ashes and coals are completely extinguished.
29. Do NOT remove ashes or coals until they are completely and fully extinguished.
30. Use heat-resistant gloves or hot pads when contacting handles and air vents.
31. Use long, sturdy fireplace tools when adding or moving logs.
32. Do NOT place wood directly into bottom of the outdoor fireplace. Place wood only on the wood pan/grid. Do NOT load firewood into the chimney.
33. Do NOT overload the fireplace. Do not add additional firewood until the fire burns down. NOTICE: If any portion of the base, hood or spark guards of this outdoor fireplace are glowing red it is overloaded.
34. Make sure all doors can completely close before starting a fire.
35. Do NOT lean over this outdoor fireplace when lighting or when in use.
36. Do NOT place hot fireplace tools onto combustible surfaces such as grass, wooden deck or furniture.
37. Avoid breathing smoke from the fire and avoid getting it into your eyes.
38. This outdoor fireplace should be thoroughly inspected and cleaned on a regular basis.
39. After a period of storage and/or non-use, check for signs of damage and creosote build-up. Do NOT operate until necessary repairs and/or cleanup are executed.
40. Do NOT use pressure washer to clean.
41. Use only Blue Rhino Global Sourcing, LLC factory authorized parts. The use of any part that is NOT factory authorized can be dangerous and will void your warranty.
42. Deaths, serious injury or damage to property may occur if the above is not followed exactly.



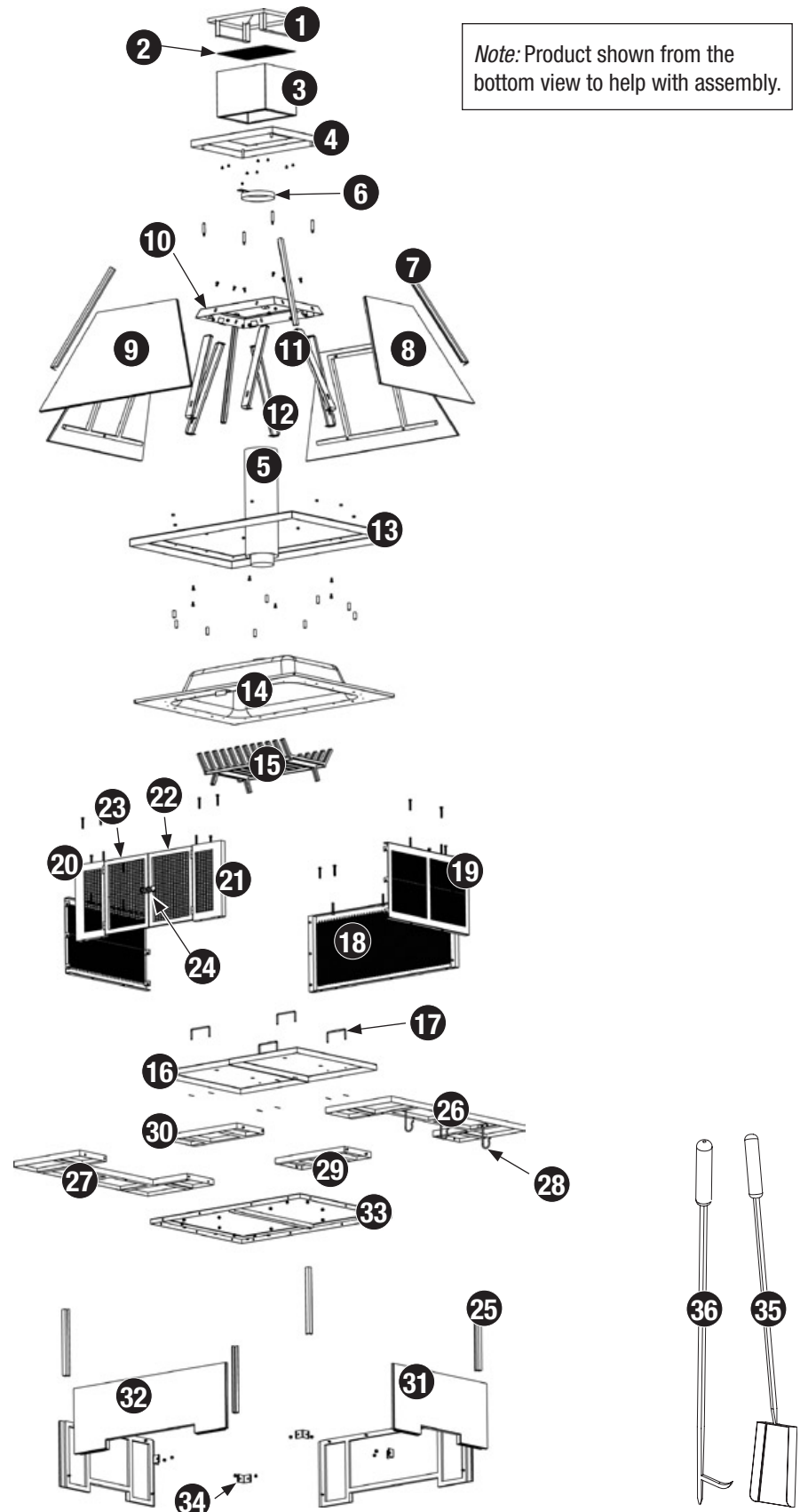
**WARNING**  
**FOR YOUR SAFETY**

1. Clean up any dried repair adhesive on the fireplace and work space after making repairs. Do not allow the liquid adhesive additive to dry without clean-up.
2. Keep the two part adhesives (liquid and powder) away from children and pets.
3. Clean up adhesive with water and discard adhesive and water properly.
4. Do NOT repair any stone on this outdoor fireplace until the fire is COMPLETELY out, stone is cold and outdoor fireplace is cool to the touch.
5. Keep children and pets away from repair area until dry.
6. Read ALL repair instructions before repairing.
7. Do NOT use glue in temperatures below 32°F (0°C)
8. Do NOT use glue in high humidity.
9. All repairs have to be made in a well ventilated area.
10. Goggles MUST be worn before opening glue or powder bottles, to prevent glue or powder from getting in eyes.
11. Do NOT inhale powder.
12. Do NOT ingest glue.
13. Do not reuse dried paste with water.

### Exploded View

- 1. Top..... 55-05-045
- 2. Chimney Screen..... 55-05-013
- 3. Chimney..... 55-05-010
- 4. Chimney Base..... 55-05-011
- 5. Inner Chimney..... 55-05-028
- 6. Chimney Ring..... 55-05-012
- 7. Hood Inserts (4)..... 55-05-022
- 8. Hood Panel A (2)..... 55-05-023
- 9. Hood Panel B (2)..... 55-05-024
- 10. Hood Top..... 55-05-027
- 11. Hood Supports A (2)..... 55-05-025
- 12. Hood Supports B (4)..... 55-05-026
- 13. Hood Base..... 55-05-021
- 14. Roof..... 55-05-037
- 15. Wood Grate..... 55-05-046
- 16. Chamber Base Plate (2)..... 55-05-008
- 17. Chamber Handle (4)..... 55-05-009
- 18. Back Spark Guard..... 55-05-002
- 19. Side Spark Guard (2)..... 55-05-042
- 20. Front Spark Guard Left..... 55-05-016
- 21. Front Spark Guard Right..... 55-05-017
- 22. Spark Guard Door Right..... 55-05-036
- 23. Spark Guard Door Left..... 55-05-030
- 24. Door Handle\*..... 55-05-015
- 25. Base Inserts (4)..... 55-05-004
- 26. Side Hearth Right..... 55-05-041
- 27. Side Hearth Left..... 55-05-040
- 28. Tool Hook (3)\*..... 55-05-044
- 29. Middle Hearth Back..... 55-05-031
- 30. Middle Hearth Front..... 55-05-032
- 31. Base Panel A (2)..... 55-05-005
- 32. Base Panel B (2)..... 55-05-006
- 33. Base Frame..... 55-05-003
- 34. "L" Bracket (4)..... 55-05-001
- 35. Shovel..... 55-05-039
- 36. Poker..... 55-05-035

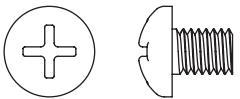
\*Pre-assembled.



### Hardware / Actual Size

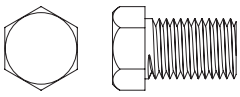
A. Screw 8 pcs

M6x8 Black Nickel Plated Truss Head Screw



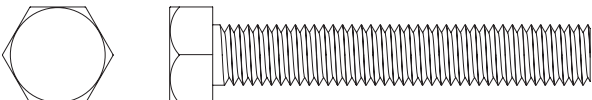
B. Small Bolt 13 pcs

M8x12 Black Nickel Plated Hex Head Bolt



C. Large Bolt 13 pcs

M8x50 Black Nickel Plated Hex Head Bolt



D. Nut 39 pcs

M8 Black Nickel Hex Nut



E. Cotter Pin\*\* 8 pcs



F. Bolt Sleeve\*\* 9 pcs

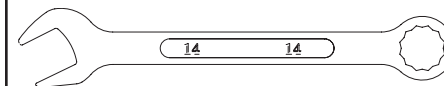


G. Pillar\*\* 4 pcs



Tools provided

Wrench\*\* 1 pc



Glue Bottle\*\*

1 pc

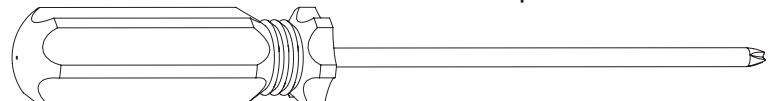


Color Repair Bottle\*\* 1 pc



### Additional Hardware Needed:

A. Screwdriver\*\* 1 pc



\*\* Not shown at actual size.

### Assembly Instructions

**DO NOT RETURN PRODUCT TO STORE.**

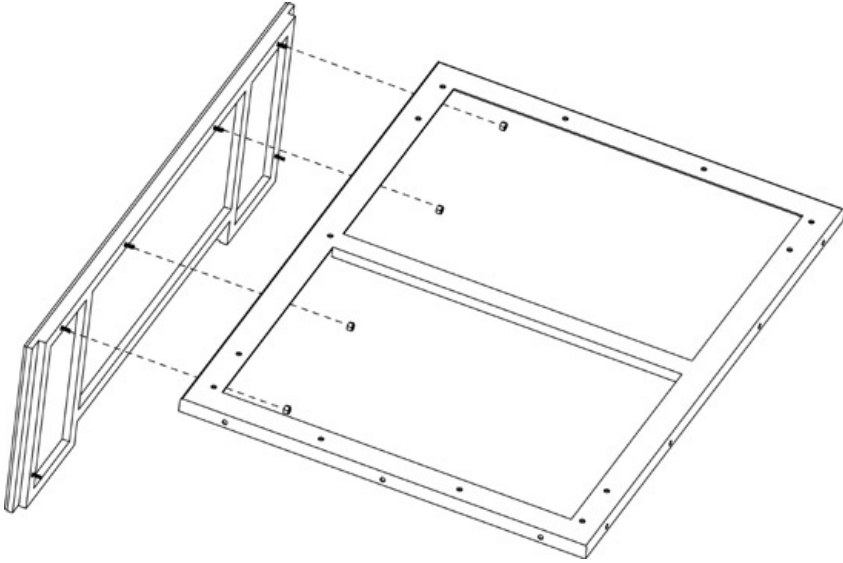
For assistance call **1-800-762-1142** toll free. Please have your owner's manual and serial number available for reference.

For Easiest Assembly:

- To void losing any small components or hardware, assemble your product on a hard level surface that does not have cracks or openings.
- Clear an area large enough to layout all components and hardware.
- When applicable, tighten all hardware connections by hand first. Once the Step is completed go back fully tighten all hardware.
- Follow all Steps in order to properly assemble your product.

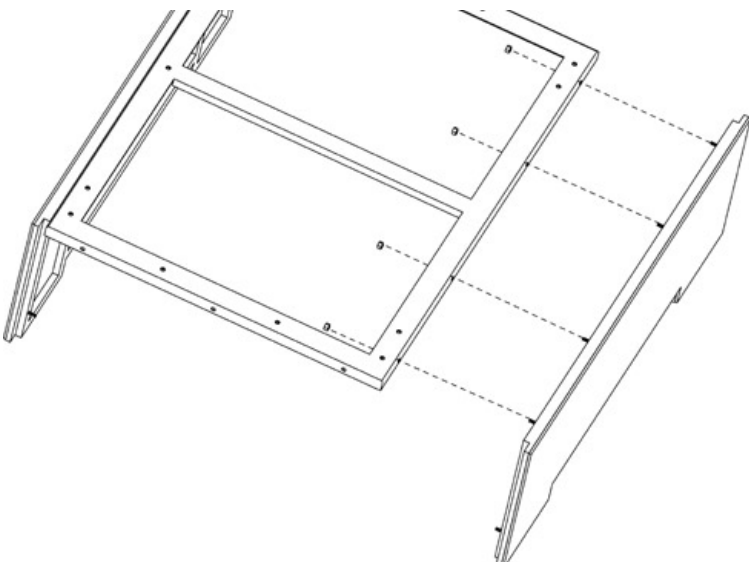
#### Step 1 Attach front base panel

Attach base panel B to base frame using 4 sets of nuts (D).



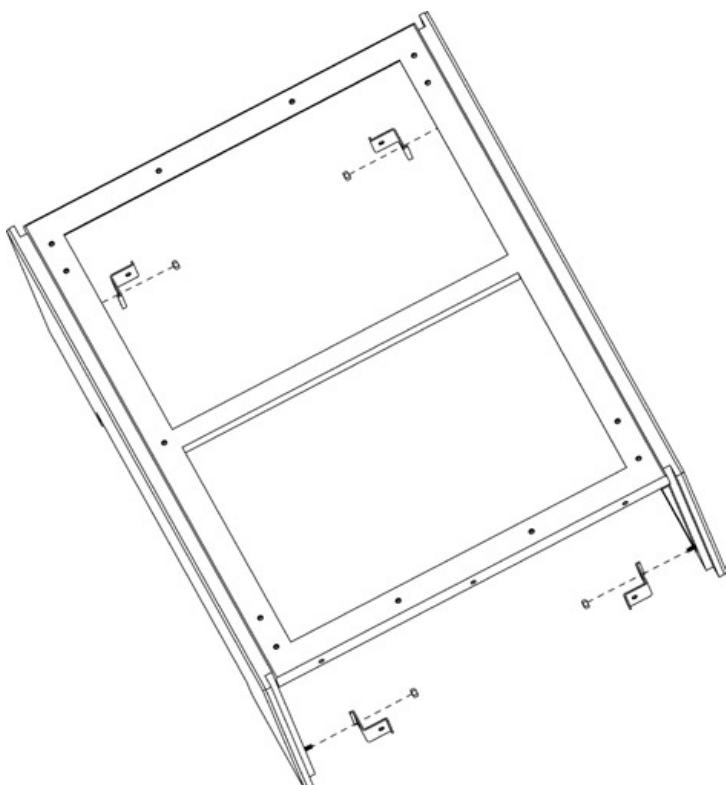
#### Step 2 Attach back base panel

Attach base panel B to base frame using 4 sets of nuts (D).



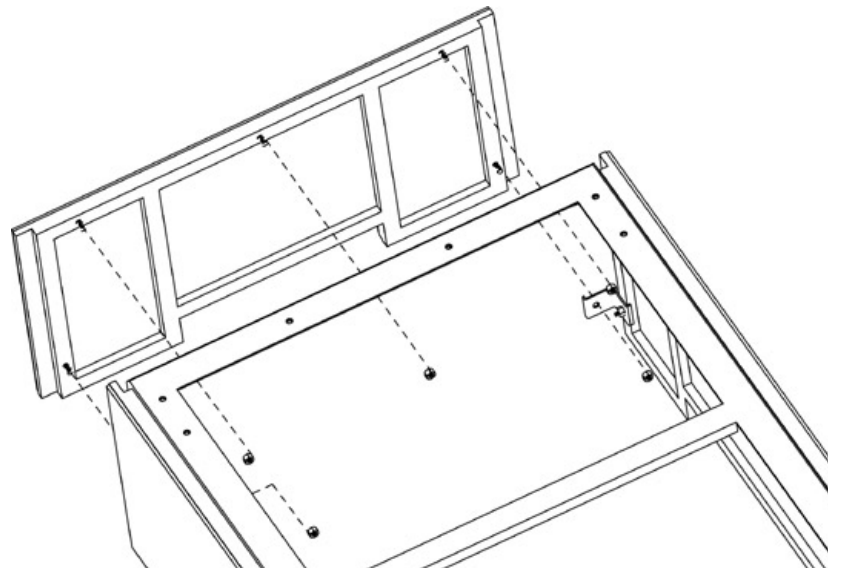
#### Step 3 Attach "L" brackets

A. Attach "L" brackets to base panels B using 4 sets of nuts (D).



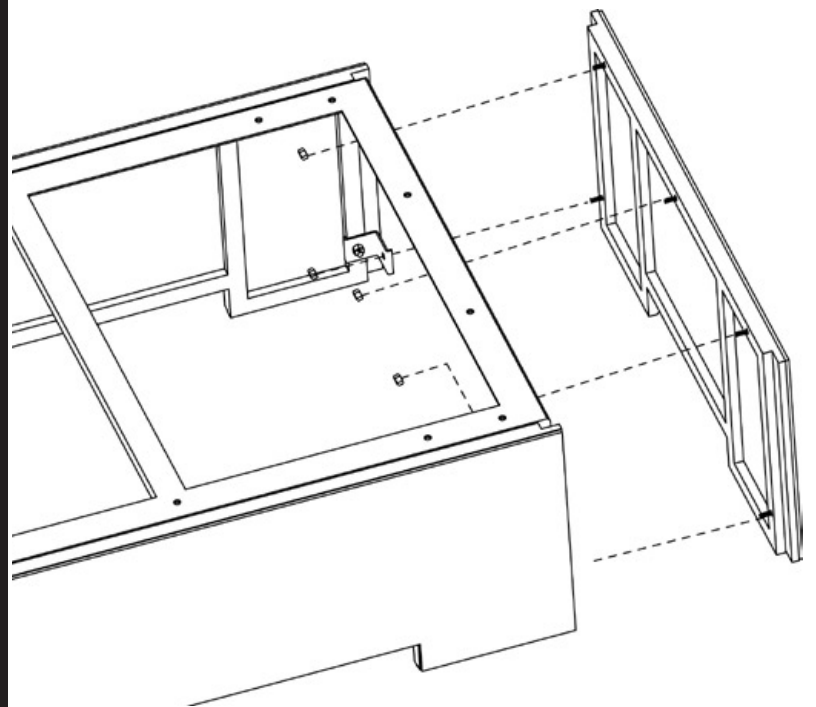
#### Step 4 Attach left side panel

Attach base panel A to base frame and "L" brackets using 5 sets of nuts (D).



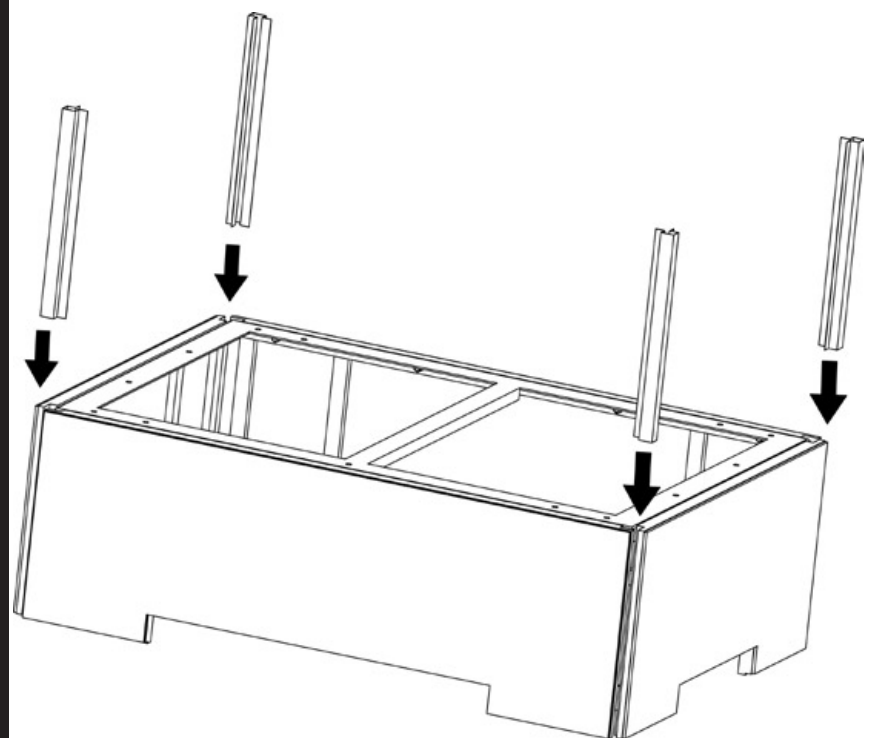
#### Step 5 Attach right side panel

Attach base panel A to base frame and "L" brackets using 5 sets of nuts (D).



#### Step 6 Insert base inserts

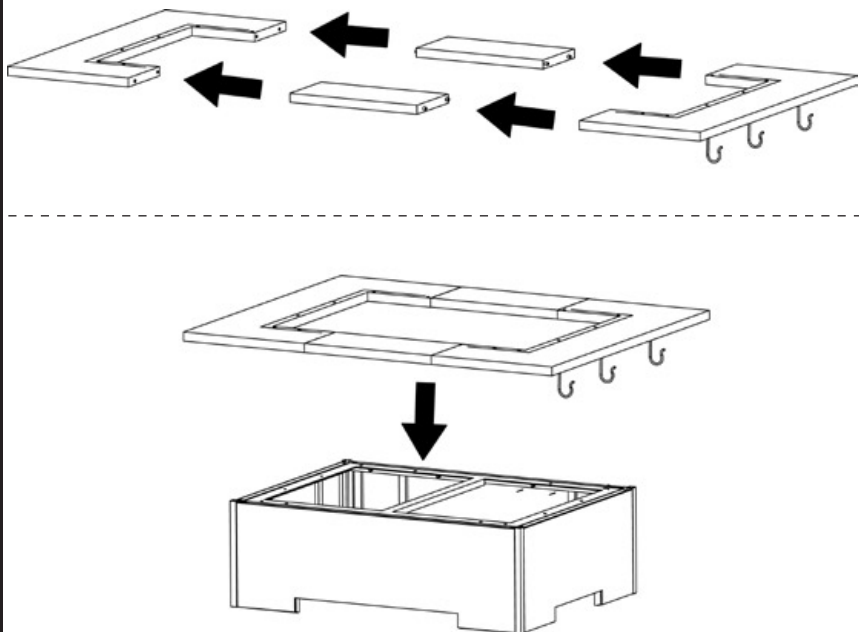
Slide base inserts between base panels.



**Step 7 Assemble hearth and attach hearth**

- A. Attach front and back hearths to left and right hearths.
- B. Place hearth on base.

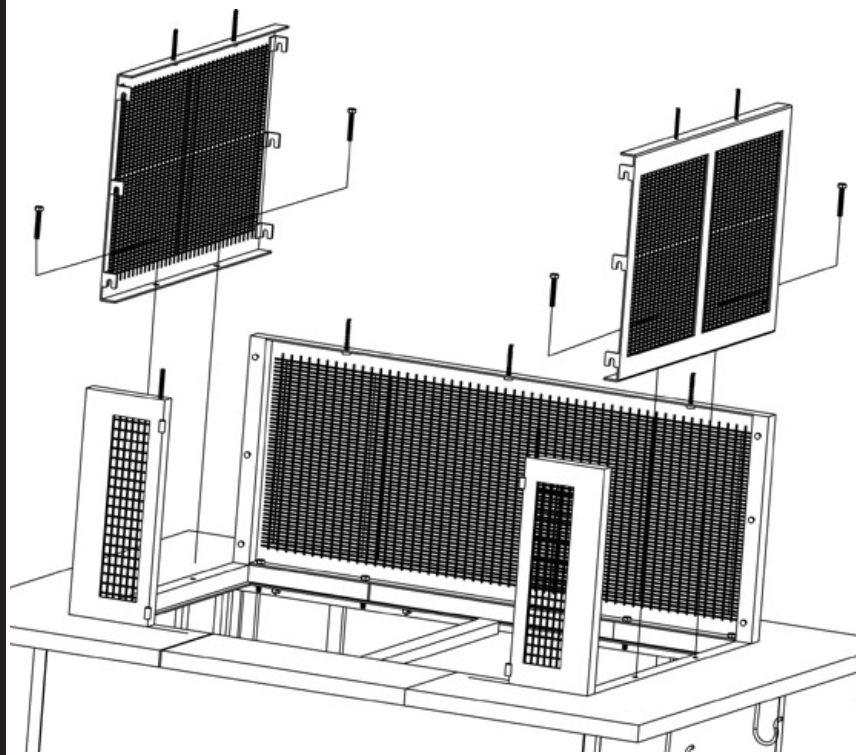
*Note:* Hearth will be secured to base when attaching spark guards.



**Step 10 Attach side spark guards**

- Attach side spark guards to hearth and base using 4 large bolts (C).

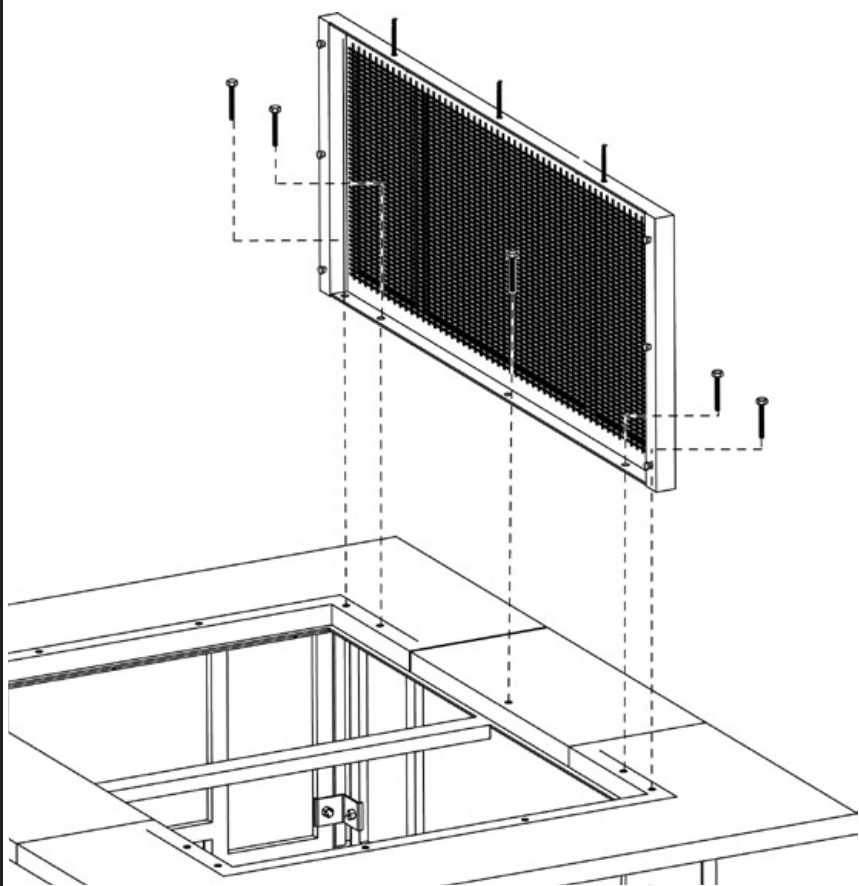
*Note:* Do not fully tighten bolts.



**Step 8 Attach back spark guard**

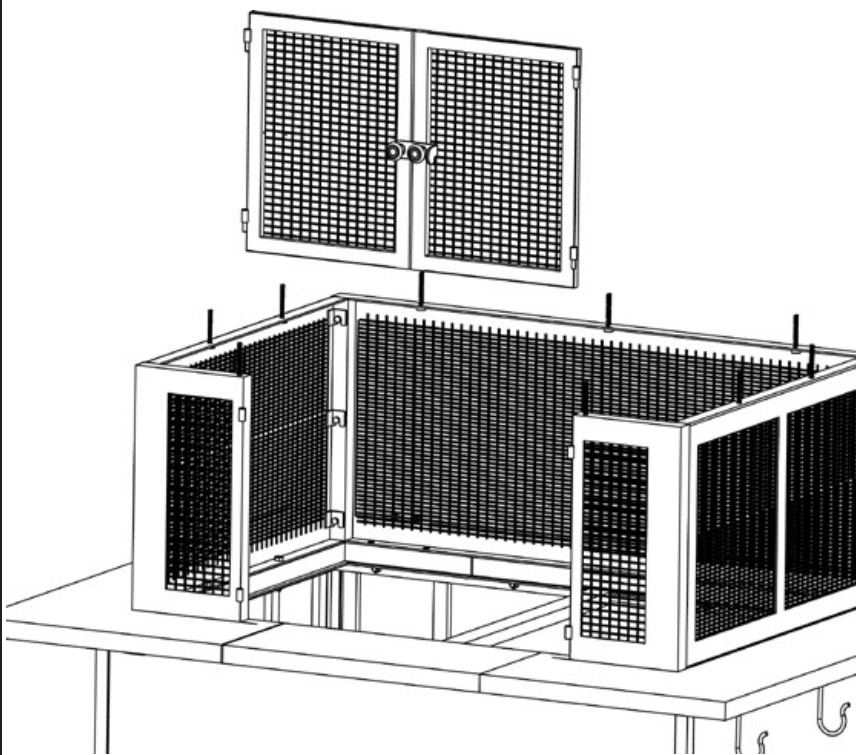
- Attach back spark guard to hearth and base using 5 large bolts (C).

*Note:* Do not fully tighten bolts.



**Step 11 Attach door**

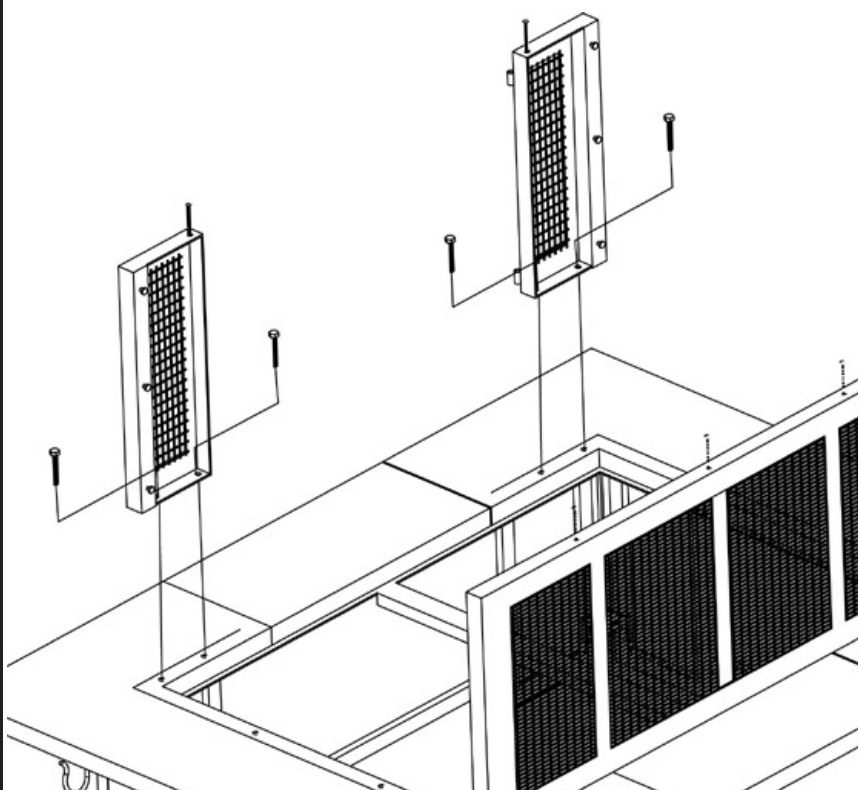
- A. Attach spark guard door left and right to front spark guards, by sliding door onto front spark guard pegs.
- B. Fully tighten all spark guard bolts.



**Step 9 Attach front spark guards**

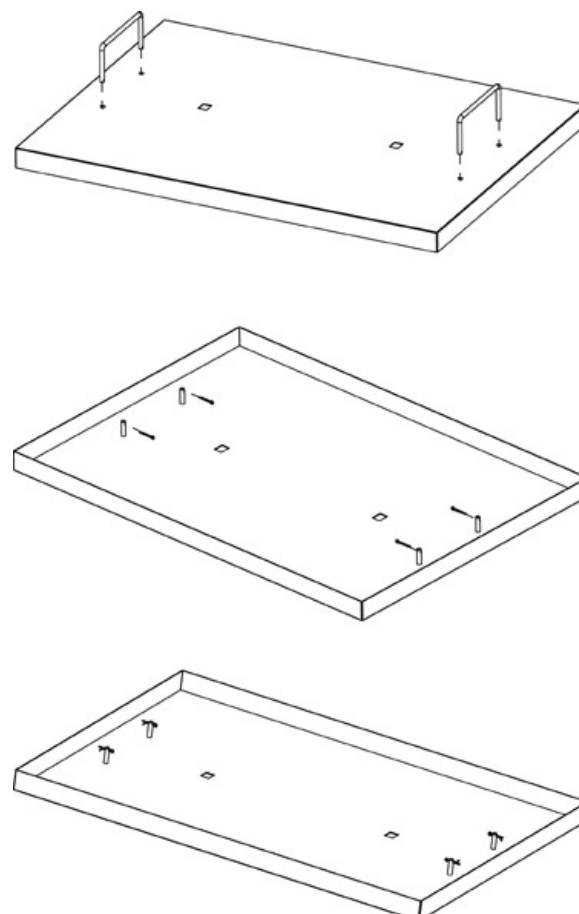
- Attach front spark guard left and right to hearth and base using 4 large bolts (C).

*Note:* Do not fully tighten bolts.



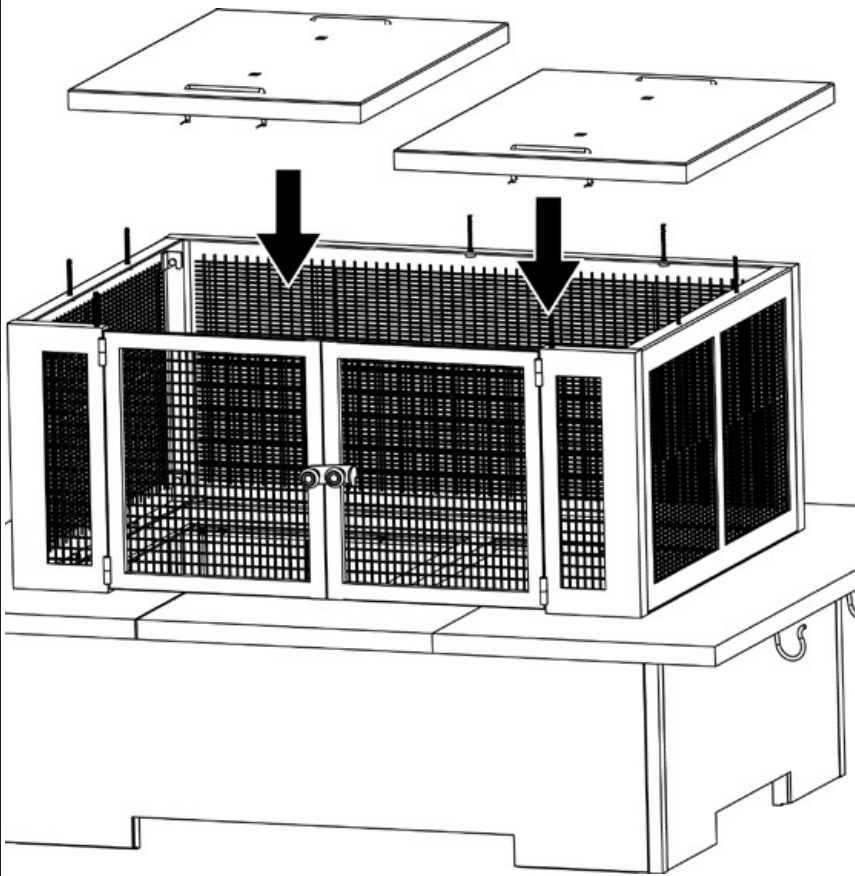
**Step 12 Assemble base plates**

- Insert chamber handles into each chamber base plate, secure with 4 sets of cotter pins (E).



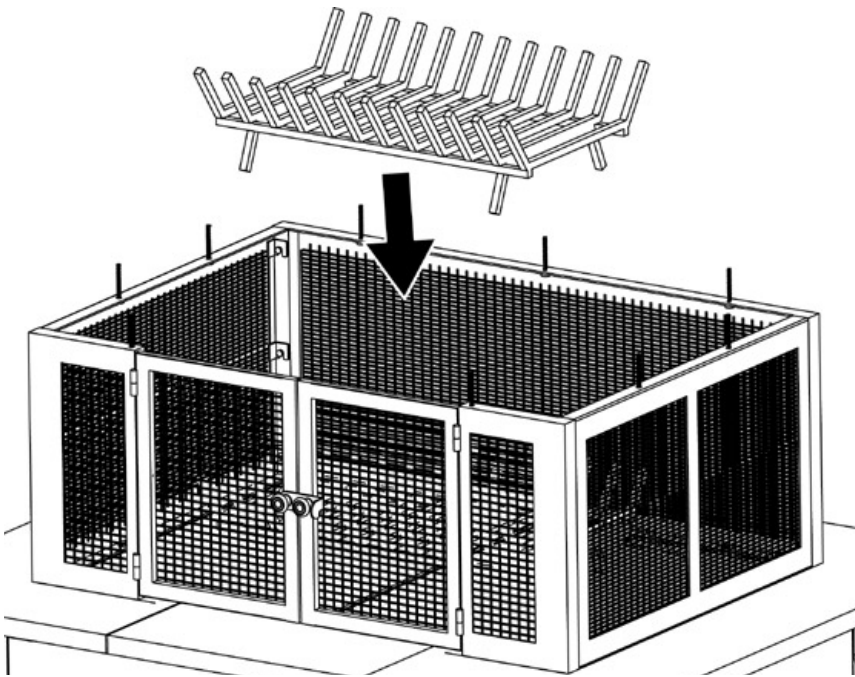
**Step 13** **Insert base plates**

Insert chamber base plates in base.



**Step 14** **Insert wood grate**

Insert wood grate onto chamber base plates

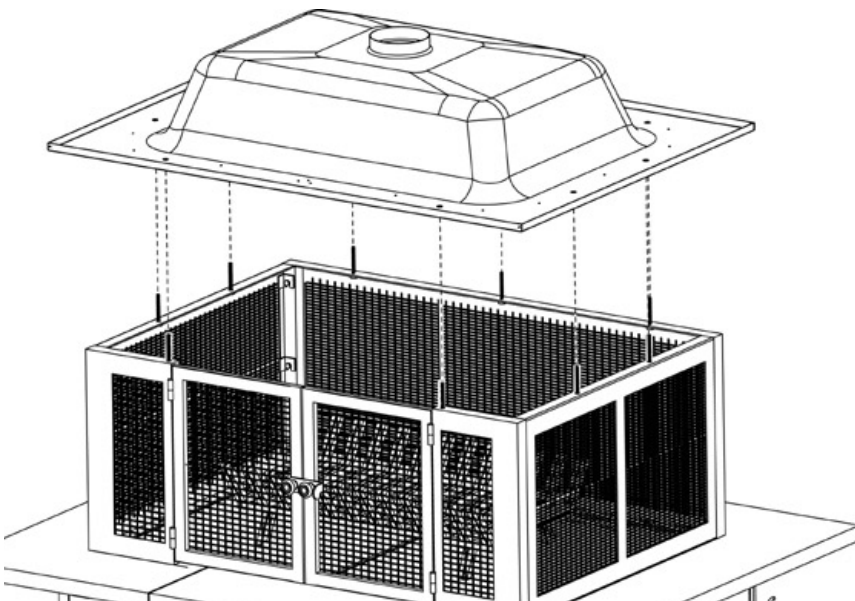


**Step 15** **Attach roof**

Attach roof onto spark guards.

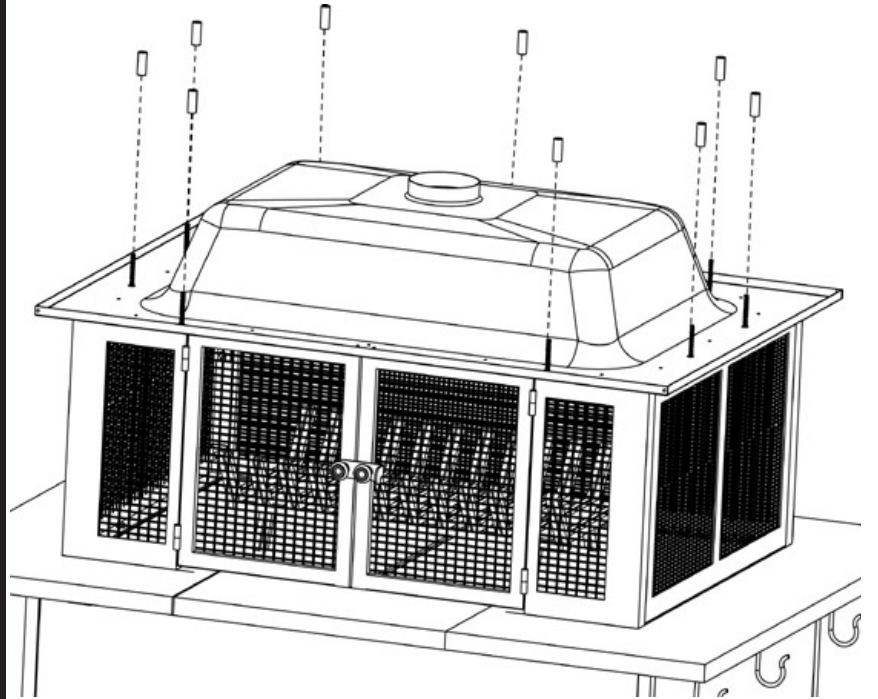
*Note:* May require doors open to attach.

*Note:* roof will be secured later.



**Step 16** **Place bolt sleeves**

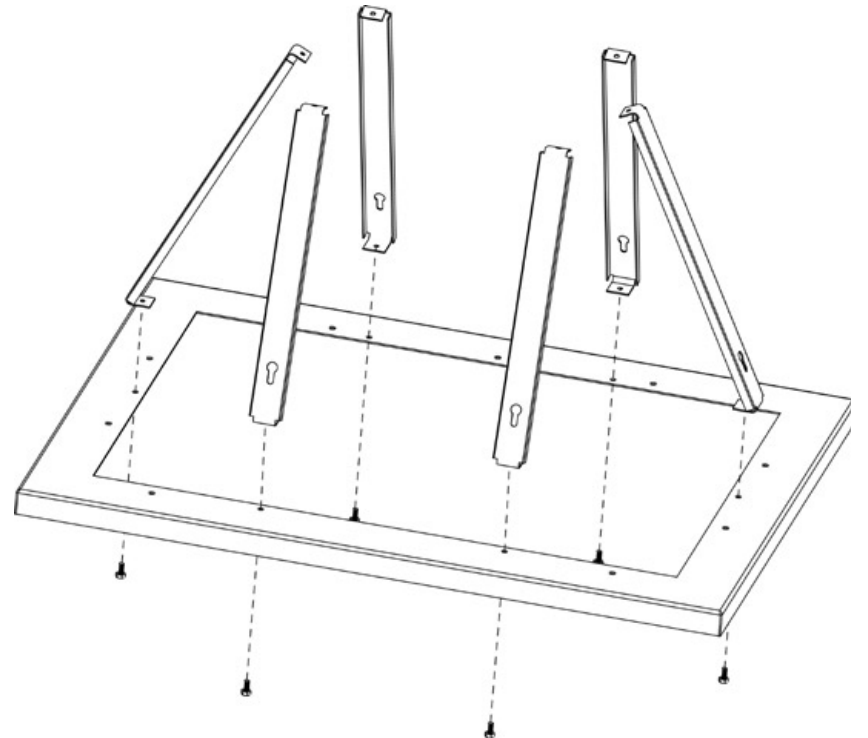
Place 9 sets of bolt sleeves (F) onto spark guard bolts.



**Step 17** **Assemble hood base**

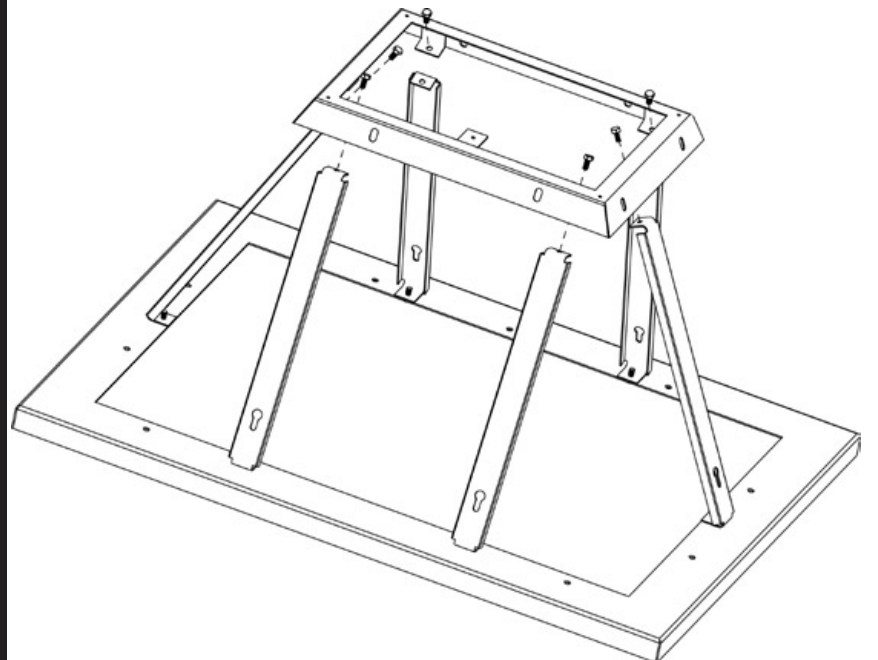
Attach hood supports A and B to hood base using 6 sets of small bolts (B).

*Note:* Do not over tighten bolts.



**Step 18** **Attach hood top**

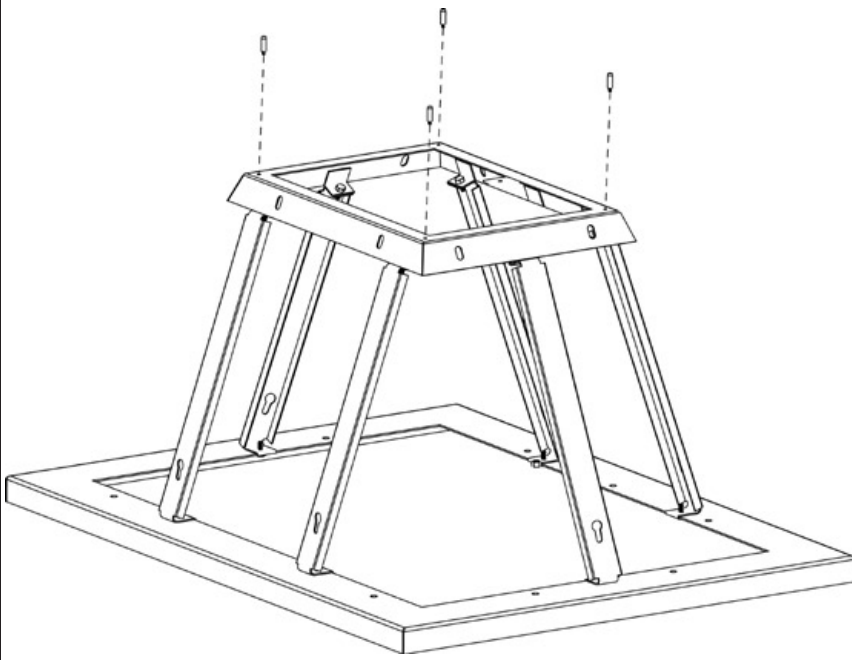
Attach hood top to hood supports using 6 sets of small bolts (B).



**Step 19 Attach pillars**

Attach 4 pillars (G).

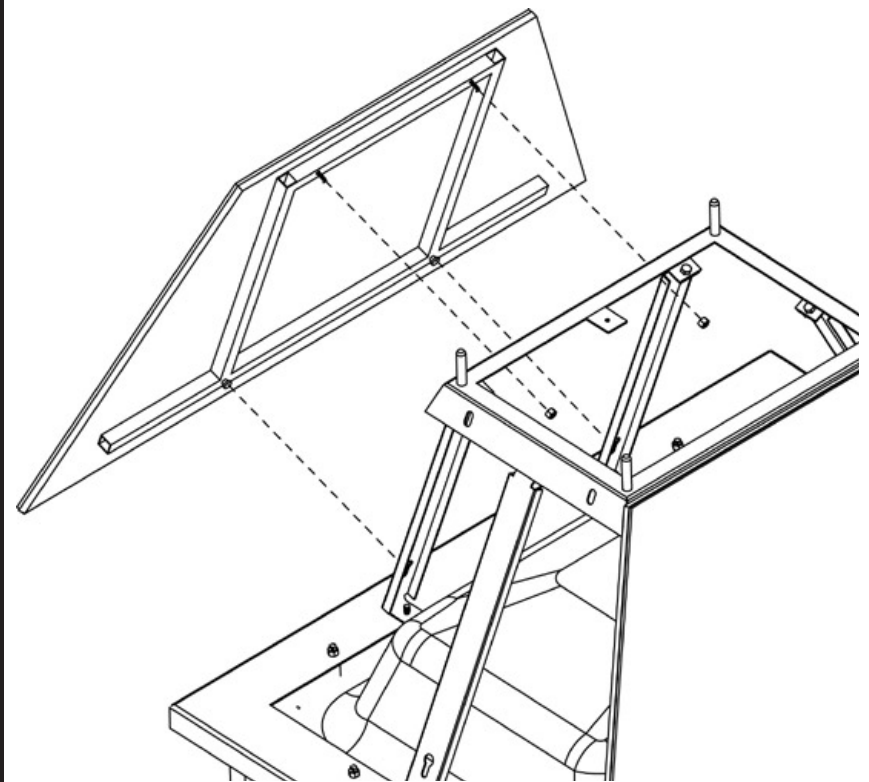
19



**Step 22 Attach front hood panel**

Attach hood panel B to hood, by inserting bottom pegs into keyhole opening, secure top using 2 sets of nuts (D).

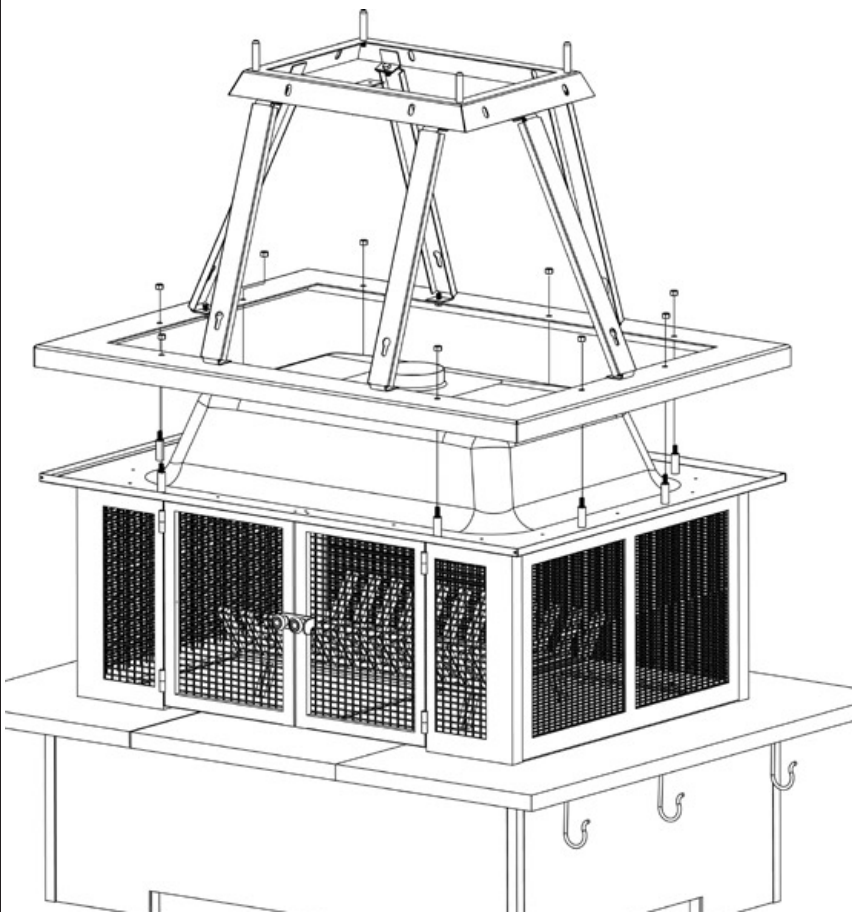
22



**Step 20 Attach hood assembly**

Attach hood assembly to roof using 9 sets of nuts (D).

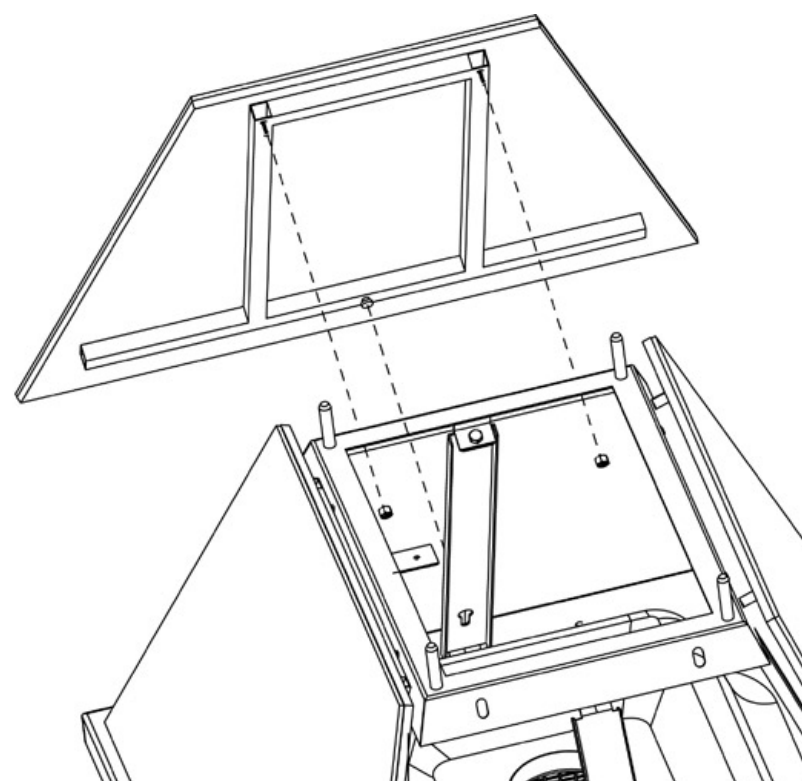
20



**Step 23 Attach right hood panel**

Attach hood panel A to hood, by inserting bottom peg into keyhole opening, secure top using 2 sets of nuts (D).

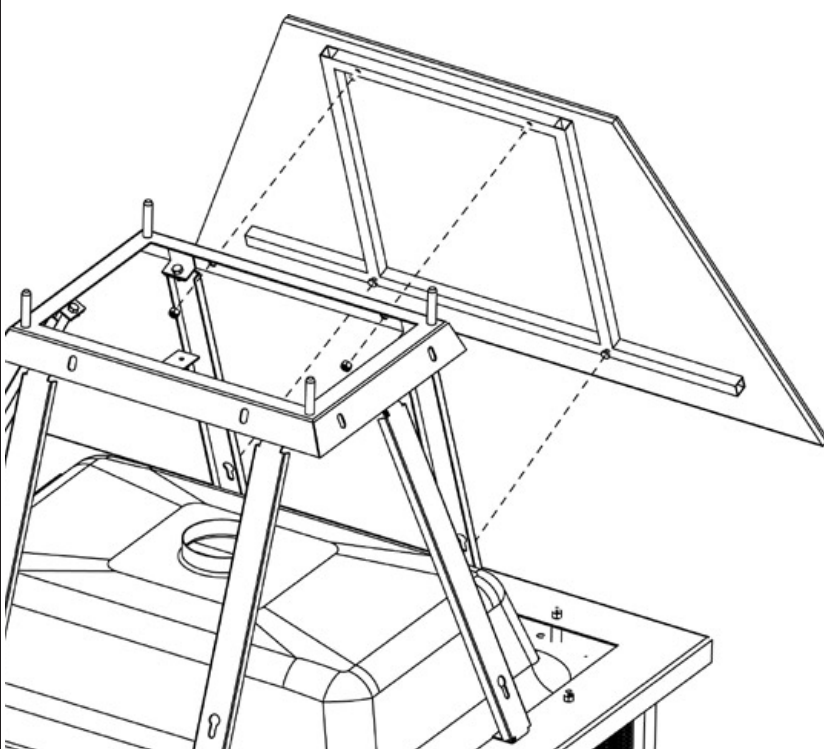
23



**Step 21 Attach back hood panel**

Attach hood panel B to hood, by inserting bottom pegs into keyhole opening, secure top using 2 sets of nuts (D).

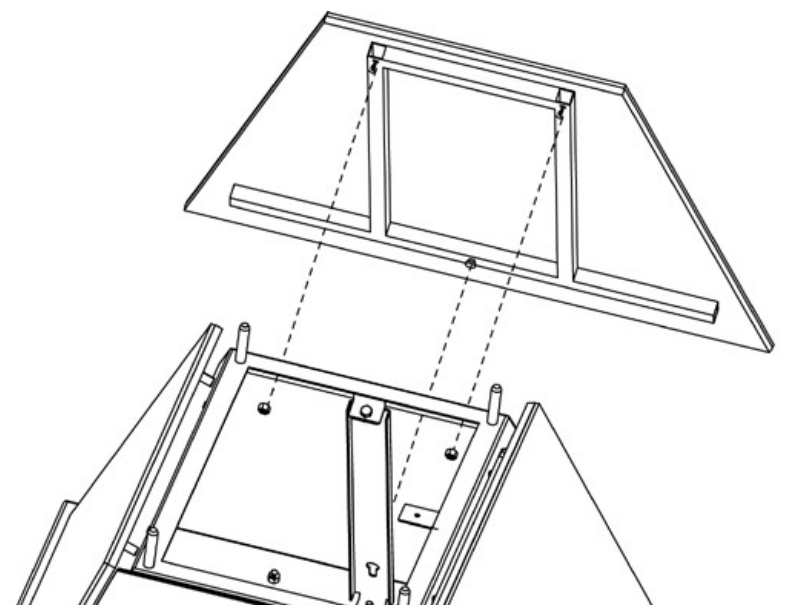
21



**Step 24 Attach left hood panel**

Attach hood panel A to hood, by inserting bottom peg into keyhole opening, secure top using 2 sets of nuts (D).

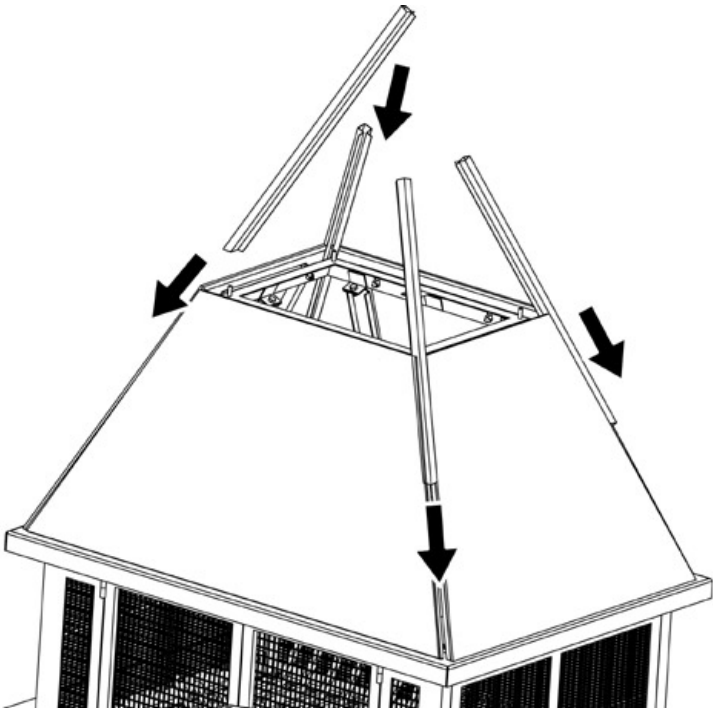
24



**Step**  
**25**

**Secure hood assembly**

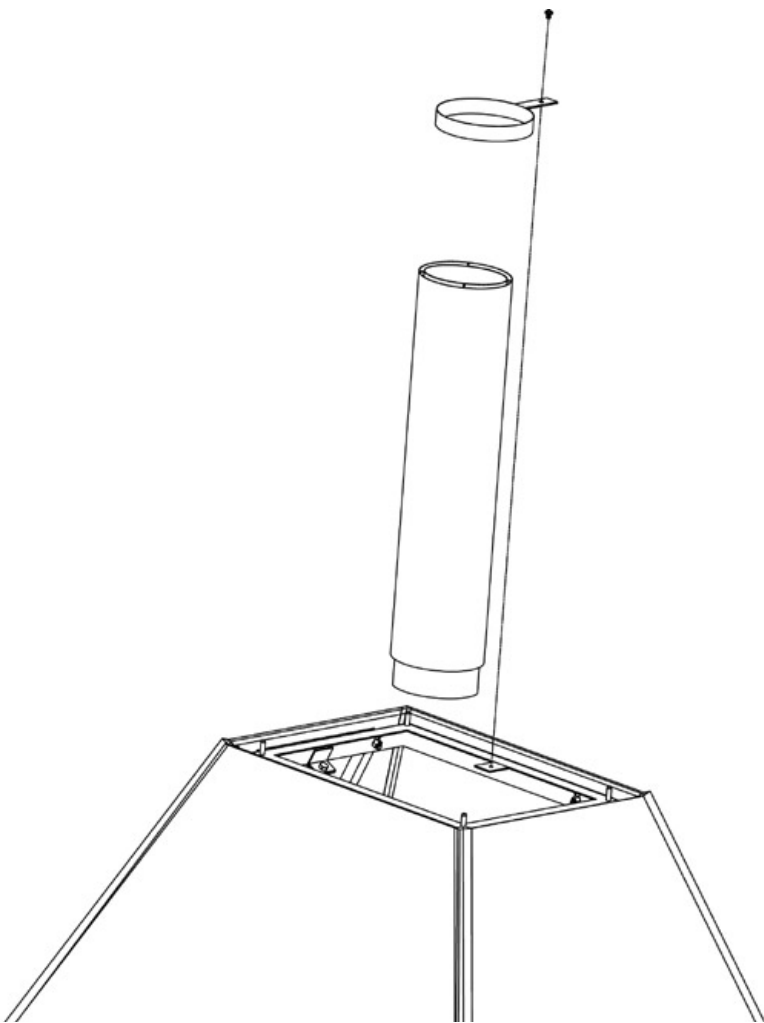
Secure hood assembly by inserting hood inserts between hood panels.



**Step**  
**26**

**Attach chimney tube**

Attach inner chimney tube and chimney ring to hood, using small bolt (B).

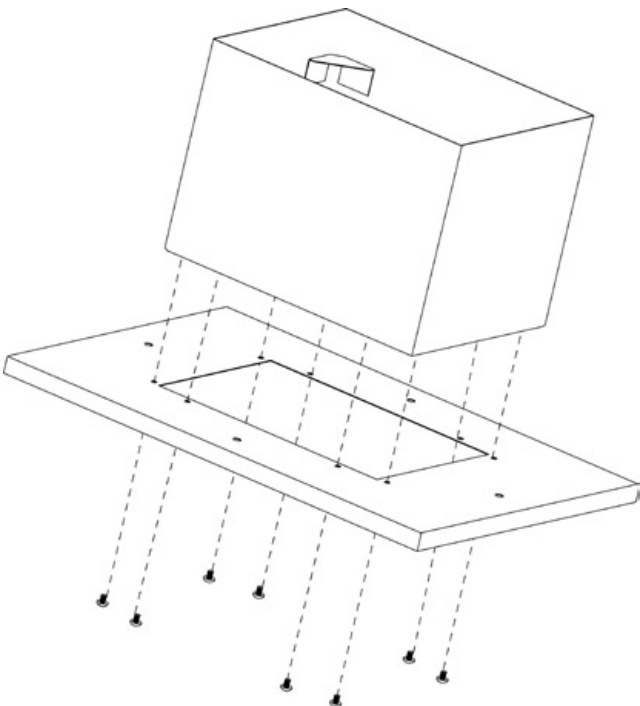


**Step**  
**27**

**Assemble chimney**

Attach chimney to chimney base using 8 sets of screws.

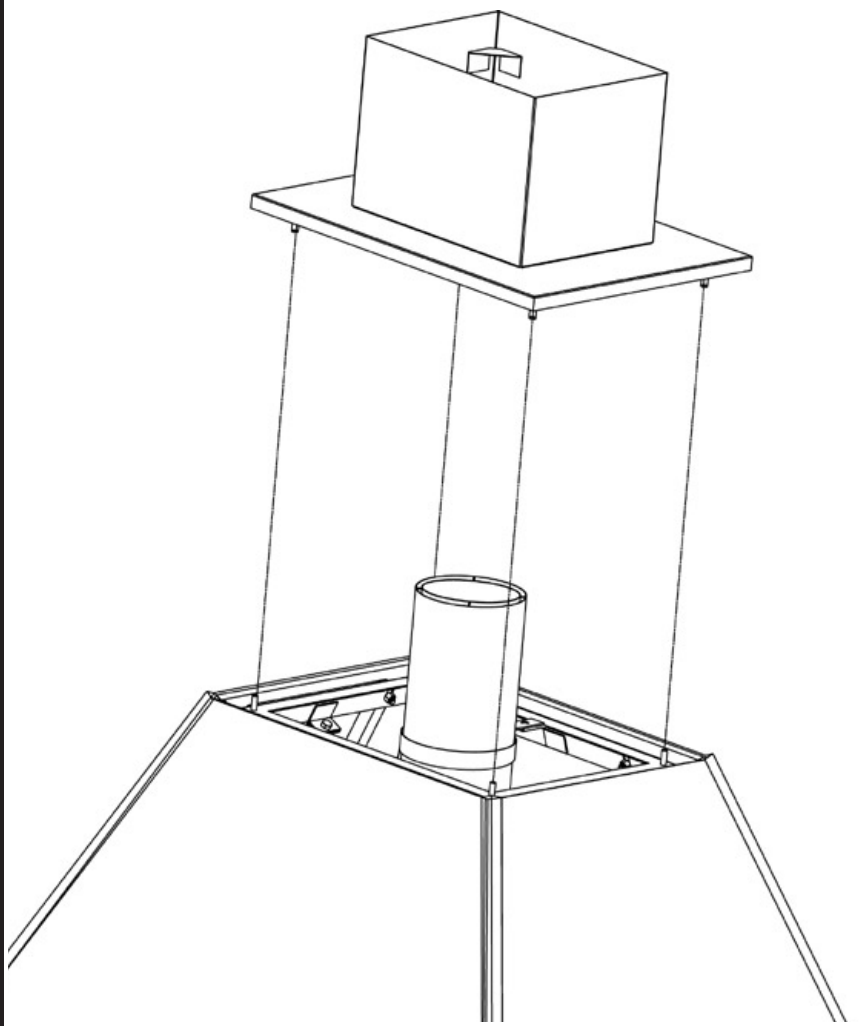
*Note:* Philips screwdriver is not supplied.



**Step**  
**28**

**Attach chimney assembly**

Attach chimney assembly to pillars on hood.

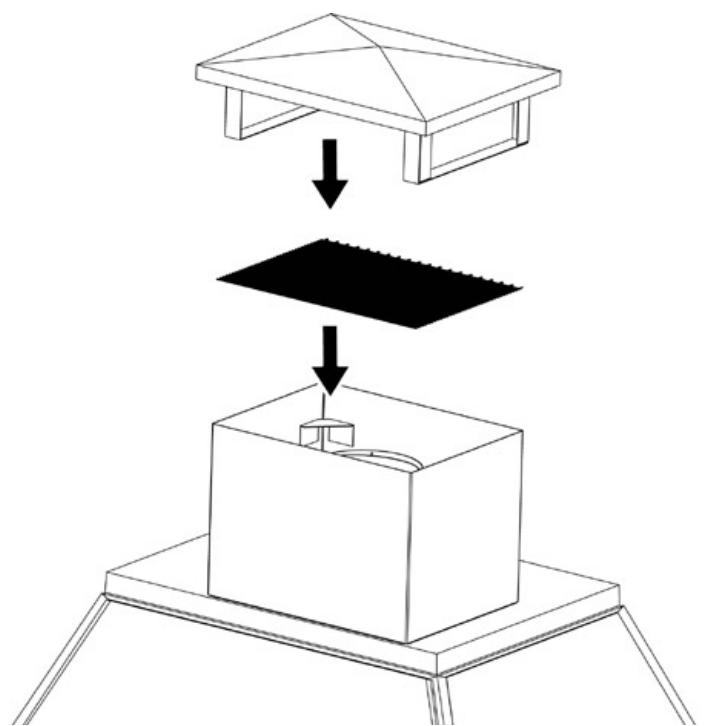


**Step**  
**29**

**Attach top**

A. Insert chimney screen into chimney.

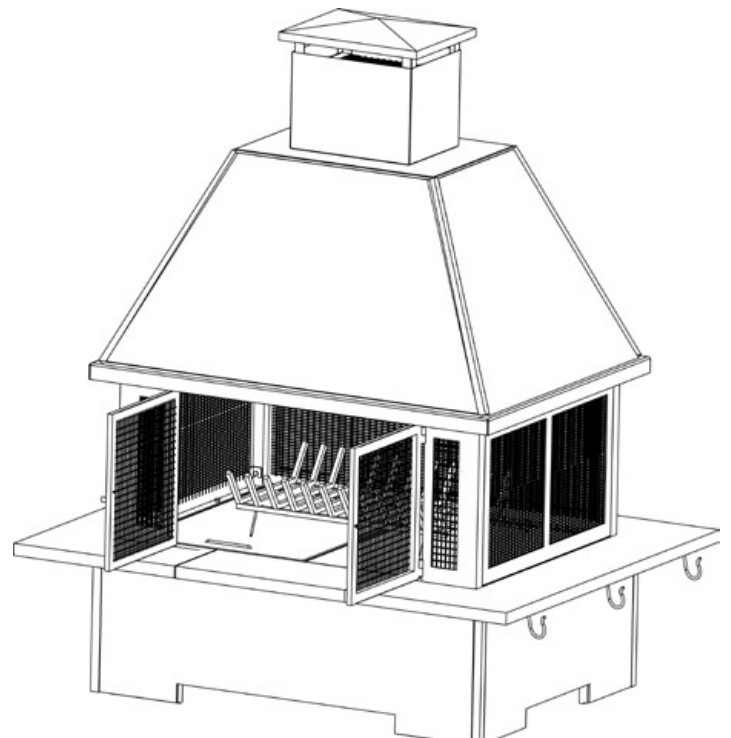
B. Insert top into chimney.



**Step**  
**30**

**Completed**

Congratulations your assembly is now complete. Read Operating Instructions before proceed.





## Operating Instructions



### **WARNING** **FOR YOUR SAFETY**

**Before using this outdoor fireplace, make sure you have read, understand and are following all information provided in the Important Safeguards presented on page 1. Failure to follow those instructions can cause death, serious injury or property damage.**

### Lighting

1. Make sure there is only a small amount of ash in the bottom of the bowl.
2. Place a layer of dry kindling or a natural firestarter such as Fatwood™ onto the center of the grate.
3. Place above that a layer of dry seasoned hardwood that is cut to lengths no more than 14".
4. Use a match to light kindling or firestarter.
5. Close doors once the kindling or firestarter is lit.

### Tending the Fire

You may need to shift and/or add logs for an ideal experience.

#### Reminders:

- Always wear protective gloves or a pot holder when tending a fire.
  - Wait until glowing coals have developed before adding any additional wood.
  - Do NOT add gasoline, kerosene, diesel fuel, lighter fluid or alcohol to relight or enhance an existing fire.
1. Carefully open access door.
  2. While using a long handled fireplace tool, shift coals and logs to allow additional airflow.
  3. If additional wood is required, place wood on top coals. Be careful not to shift ashes.
  4. Close door.

### Extinguishing

1. Allow fire to burn itself out.
2. Do NOT use water to extinguish as this is dangerous and can cause damage to this outdoor fireplace.

## Cleaning & Care

### Inspecting

This outdoor fireplace should be inspected on a regular basis to ensure product safety and longer product life.

**Do NOT attempt to inspect this outdoor fireplace until the fire is COMPLETELY out.**

1. Check all parts to make sure they are secure.
2. Check base, hood, wood rack, door and spark guards for any signs of damage or rust.
3. If damage to any component is detected, do NOT operate until repairs are executed.

### Cleaning

This outdoor fireplace should be cleaned on a regular basis to promote safer experiences and longer product life.

*Note:* After repeated use, a slight discoloration of the finish may occur.

**Do NOT attempt to clean this outdoor fireplace until the fire is COMPLETELY out.**

**Do NOT use oven cleaner or abrasive cleaners as they will damage this product.**

**Do NOT clean any part of this outdoor fireplace in a self cleaning oven as it may damage the finish.**

**Do NOT use pressure washer to clean this outdoor fireplace, as this may damage this product.**

1. Wipe exterior surfaces with a mild dishwashing detergent or baking soda.
2. For stubborn surfaces use a citrus based degreaser and a nylon scrubbing brush.
3. Rinse clean with water.
4. Remove built-up creosote from base, hood and spark guards with a chimney cleaning product.

### Storage

**Do NOT move or store this outdoor fireplace until the fire is COMPLETELY out.**

1. Once the fire is out, coals are cold and outdoor fireplace is cool to the touch, remove ashes and properly dispose.
2. Cover outdoor fireplace with a durable vinyl cover designed to fit this unit.
3. Store assembled in a location away from children and pets.

*Note:* If you do not use a cover, store this outdoor fireplace in a dry location to maximize product life.



### **WARNING** **FOR YOUR SAFETY**

1. **Clean up any dried repair adhesive on the fireplace and work space after making repairs. Do not allow the liquid adhesive additive to dry without clean-up.**
2. **Keep the two part adhesives (liquid and powder) away from children and pets.**
3. **Clean up adhesive with water and discard adhesive and water properly.**
4. **Do NOT repair any stone on this outdoor fireplace until the fire is COMPLETELY out, stone is cold and outdoor fireplace is cool to the touch.**
5. **Keep children and pets away from repair area until dry.**
6. **Read ALL repair instructions before repairing.**
7. **Do NOT use glue in temperatures below 32°F (0°C)**
8. **Do NOT use glue in high humidity.**
9. **All repairs have to be made in a well ventilated area.**
10. **Goggles MUST be worn before opening glue or powder bottles, to prevent glue or powder from getting in eyes.**
11. **Do NOT inhale powder.**
12. **Do NOT ingest glue.**
13. **Do not reuse dried paste with water.**

### Repairing cracked or dislodged stone

#### Items Needed:

Disposable brush

#### Gluing Instructions

1. Apply or brush glue onto the stone. Make sure there is an even coat and the glue thickness is approximately 3/32 " (2 mm) thick.
2. Hold stone to mating stone or metal plate for at least 1 (one) minute.
3. Do not move or use the outdoor fireplace for 48 hours.
4. Clean up any spilled or excess glue using soap and water.

### Color Touch Up

#### Items Needed:

Small container or tin foil

Disposable brush

#### Color Touch-up Instructions

1. Pour 1 (one) capful (2 g.) of powder into separate container
2. Add 60 mL (2.03 fl. oz.) of water into the separate container.
3. Once the powder has fully dissolved, brush the mixture onto the stone. This mixture will make approximately 5.4 ft<sup>2</sup> (.5 m<sup>2</sup>)
4. Let the color repaired stone sit for 48 hours before using the fireplace.
5. Dispose of any extra color mixture in the garbage.
6. Clean up any spilled mixture using soap and water.

## Product Registration

Please register your product immediately at [www.BlueRhino.com](http://www.BlueRhino.com) or call 1.800.762.1142.

## Limited Warranty

Blue Rhino Global Sourcing, LLC ("Vendor") warrants to the original retail purchaser of this outdoor fireplace, and to no other person, that if this outdoor fireplace is assembled and operated in accordance with the printed instructions accompanying it, then for a period of one (1) year from the date of purchase, all parts in such outdoor fireplace shall be free from defects in material and workmanship. Vendor may require reasonable proof of your date of purchase. Therefore, you should retain your sales slip or invoice. This Limited Warranty shall be limited to the repair or replacement of parts, which prove defective under normal use and service and which Vendor shall determine in its reasonable discretion upon examination to be defective. Before returning any parts, you should contact Vendor's Customer Service Department using the contact information listed below. If Vendor confirms, after examination, a defect covered by this Limited Warranty in any returned part, and if Vendor approves the claim, Vendor will replace such defective part without charge. If you return defective parts, transportation charges must be prepaid by you. Vendor will return replacement parts to the original retail purchaser, freight or postage prepaid.

This Limited Warranty does not cover any failures or operating difficulties due to accident, abuse, misuse, alteration, misapplication, improper installation or improper maintenance or service by you or any third party, or failure to perform normal and routine maintenance on the outdoor fireplace, as set out in this owner's manual.

This Limited Warranty is in lieu of all other express warranties. Vendor disclaims all warranties for products that are purchased from sellers other than authorized retailers or distributors, including the warranty of merchantability or the warranty of fitness for a particular purpose. VENDOR ALSO DISCLAIMS AND ANY ALL IMPLIED WARRANTIES, INCLUDING WITHOUT LIMITATION THE IMPLIED WARRANTIES OF MERCHANTABILITY AND FITNESS FOR A PARTICULAR PURPOSE. VENDOR SHALL NO LIABILITY TO PURCHASER OR ANY THIRD PARTY FOR ANY SPECIAL, INDIRECT, PUNITIVE, INCIDENTAL, OR CONSEQUENTIAL DAMAGES. Vendor further disclaims any implied or express warranty of, and assumes no responsibility for, defects in workmanship caused by third parties. This Limited Warranty gives the purchaser specific legal rights; a purchaser may have other rights depending upon where he or she lives. Some jurisdictions do not allow the exclusion or limitation of special, incidental or consequential damages, or limitations on how long a warranty lasts, so the above exclusion and limitations may not apply to everyone.

Vendor does not authorize any person or company to assume for it any other obligation or liability in connection with the sale, installation, use, removal, return, or replacement of its equipment, and no such representations are binding on Vendor.

Blue Rhino Global Sourcing, LLC  
104 Cambridge Plaza Drive  
Winston-Salem, North Carolina 27104 USA  
(800) 762-1142  
24 Hour Fax: (336) 659-6743  
[CustomerService@BlueRhino.com](mailto:CustomerService@BlueRhino.com)



## Registro del Producto

Sírvase registrar su unidad inmediatamente visitando nuestro sitio de internet [www.BlueRhino.com](http://www.BlueRhino.com) o llamando al 1-800-762-1142.

## Garantía limitada

Blue Rhino Global Sourcing, LLC ("el Fabricante") garantiza al comprador original, al detal, de esta Chimenea al Aire Libre, y a ninguna otra persona, que si la unidad se arma y opera de acuerdo con las instrucciones impresas que la acompañan, y por un período de un (1) año a partir de la fecha de compra, todas las piezas de la chimenea estarán libres de defectos en material y mano de obra. El Fabricante podrá requerir prueba razonable de la fecha de compra, a ser emitida por vendedor al detal o representante autorizados. Por lo tanto, usted debe conservar el recibo de venta o la factura. Esta Garantía Limitada estará limitada a la reparación o reemplazo de las piezas que resulten defectuosas en condiciones de servicio y uso normal y las que un examen indique, a satisfacción razonable del Fabricante, que están defectuosas. Antes de devolver cualquier pieza, comuníquese con el Departamento de Servicio al Cliente (Customer Service Department) del Fabricante, usando la información de contacto que se lista más adelante. Si el Fabricante, después de examinar la pieza devuelta, confirma que existe un defecto cubierto por esta Garantía Limitada y aprueba el reclamo, el Fabricante reemplazará tales partes sin costo alguno. Si usted devuelve las partes defectuosas, los costos de transporte deberán ser prepagados por usted. El Fabricante devolverá las partes, al comprador original al detal, con costo de transporte o envío prepagados.

Esta Garantía Limitada no cubre fallas o dificultades de operación debidas a accidente, abuso, mal uso, alteración, empleo en usos inapropiados, instalación defectuosa o mantenimiento o servicio inapropiado, dado por usted o por tercera persona, o falla en la realización de mantenimiento normal y rutinario de la unidad, como se prescribe en este manual del usuario. Además, la Garantía Limitada no cubre daños al terminado de la unidad, tales como rasguños, abolladuras, descoloridos, oxidaciones y otros daños causados por la intemperie, después de la compra de la unidad.

Esta Garantía Limitada reemplaza cualquier otra garantía. El Fabricante no asume ninguna responsabilidad por garantías de productos vendidos por quienes no sean distribuidores o vendedores al detal autorizados. UNA VEZ TERMINADO EL PERIODO DE UN (1) AÑO DE GARANTÍA EXPRESA, EL FABRICANTE NO SE HACE RESPONSABLE POR NINGUNA O CUALQUIER GARANTÍA IMPLÍCITA INCLUYENDO, SIN LIMITACIONES, LAS GARANTÍAS IMPLÍCITAS DE COMERCIABILIDAD Y ADAPTABILIDAD PARA UN PROPOSITO PARTICULAR, ADEMÁS, EL FABRICANTE NO ASUME NINGUNA RESPONSABILIDAD, ANTE EL COMPRADOR O ANTE CUALQUIER TERCERA PERSONA, POR DAÑOS ESPECIALES, INDIRECTOS, PUNITIVOS, INCIDENTALES O CONSECUENCIALES. El Fabricante, además, no asume responsabilidad por defectos causados por terceras personas. Esta Garantía Limitada le da al comprador derechos legales específicos y el comprador puede tener otros derechos según el lugar donde el comprador o la compradora residan. Ciertas jurisdicciones no permiten limitaciones o exclusiones en cuanto a daños especiales, incidentales o consecuenciales ni en cuanto a la duración de una garantía, de manera que la exclusión y las limitaciones descritas arriba pueden no ser aplicables a usted.

El Fabricante no autoriza a ninguna persona o compañía para asumir por el Fabricante cualquier otra obligación o responsabilidad relacionada con la venta, instalación, uso, remoción, devolución o reemplazo de este equipo y cualquier representación de esta naturaleza no obliga al Fabricante.

Blue Rhino Global Sourcing, LLC  
104 Cambridge Plaza Drive  
Winston-Salem, North Carolina 27104 EE.UU.  
Teléfono (800) 762-1142  
Fax las 24 horas: (336) 659-6743  
[CustomerService@BlueRhino.com](mailto:CustomerService@BlueRhino.com)

**Si necesita ayuda llame al 1.800.762.1142. No devuelva el artículo al lugar de compra.**

## Instrucciones de Operación



### ADVERTENCIA PARA SU SEGURIDAD:

**Antes de usar esta chimenea al aire libre, asegúrese de haber leído y entendido completamente las Importantes Precauciones que se presentan en la página 1. Siga estas instrucciones completamente pues la falla en seguir las puede causar daños a la propiedad, serias lesiones y aún la muerte.**

## Encendido

1. Verifique que únicamente ha quedado una pequeña cantidad de ceniza en el fondo del cuenco.

2. Coloque una capa de leña menuda seca o un material natural para encender el fuego, tal como Fatwood™, en el centro de la rejilla.

3. Coloque encima una capa de leña seca cortada en longitudes no mayores de 14 pulg. (35.5 cm).

4. Use una cerilla para encender la leña menuda o el material para encender el fuego.

5. Cierre las puertas de la unidad una vez que la leña menuda o el material de encendido han quedado prendidos.

## Cuidado del Fuego

Usted puede necesitar mover los leños o agregar leños para obtener un funcionamiento ideal.

### Recuerde:

- Use siempre guantes de protección o un paño para manejar de ollas cuando este atizando el fuego.
- Espere hasta que el fuego se haya convertido en brasas antes de agregar más leña.
- No vierta gasolina, kerosén, aceite diesel, líquido para encendedores o alcohol para volver a encender o aumentar un fuego que se extingue.

1. Abra cuidadosamente la puerta de acceso.

2. Usando un accesorio de chimenea de mango largo, mueva leños y brazas para permitir un flujo adicional de aire.

3. Si se necesita más leña coloque la leña encima de las brazas. Tenga cuidado de no mover la ceniza.

4. Cierre la puerta de acceso

## Apagado

1. Deje que el fuego se extinga por sí mismo.

2. NO use agua para extinguir el fuego pues esta práctica es peligrosa y puede dañar su hogar al aire libre.

## Cuidado y Limpieza

### Inspección

Esta chimenea al aire libre debe inspeccionarse a intervalos regulares para asegurar que su funcionamiento es seguro y prolongar su vida útil.

NO trate de inspeccionar esta chimenea al aire libre antes de que el fuego se haya apagado COMPLETAMENTE.

1. Examine todas las piezas para estar seguro de que continúan firmemente instaladas.

2. Inspeccione la base, campana, parrilla para la leña, puerta y los resguardos para la ceniza para detectar señales de daños u oxidación.

3. Si encuentra que algún componente está dañado, no opere la unidad antes de haberla reparada.

## Limpieza

Esta chimenea al aire libre debe limpiarse a intervalos regulares para asegurar su funcionamiento seguro y prolongar su vida útil.

*Nota:* Después de repetido uso, la superficie de metal puede descolorarse un poco.

**NO trate de limpiar esta chimenea al aire libre antes de que el fuego se haya extinguido COMPLETAMENTE.**

**NO use productos para limpieza de hornos o limpiadores abrasivos pues estos dañan la unidad.**

**NO trate de limpiar ningún componente de esta chimenea al aire libre en un horno automático de limpieza pues esto daña el terminado de la unidad.**

1. Limpie las superficie exteriores con un detergente suave para el lavado de platos o con soda de hornear.

2. En superficies donde el detergente o la soda no son suficientes para la limpieza, use un desengrasante a base de cítricos y un cepillo de nylon para fregar.

## Almacenamiento

NO mueva o guarde esta chimenea al aire libre antes de que el fuego se haya extinguido COMPLETAMENTE.

1. Una vez que el fuego se haya apagado, las brazas estén frías y la unidad se sienta suficientemente fría al tacto, remueva la ceniza y descártela de manera apropiada.

2. Cubra el hogar al aire libre con una cubierta durable de vinilo diseñada para acomodar la unidad.

3. Guarde la unidad armada en una ubicación alejada de niños y mascotas.

*Nota:* Si no usa cubierta, guarde esta chimenea al aire libre en una ubicación seca para prolongar la vida del producto.

### ADVERTENCIA PARA SU SEGURIDAD



1. Limpie cualquier pegante de reparación, en la chimenea y en el espacio de trabajo, después de haber realizado reparaciones. No deje que el ingrediente líquido del pegante se seque antes de limpiarlo.

2. Mantenga los dos ingredientes del pegante (el líquido y el polvo) alejados de niños y mascotas.

3. Limpie los residuos de pegante con agua y descarte el pegante y el agua en forma apropiada.

4. NO empiece a reparar cualquier piedra de esta chimenea al aire libre antes de que el fuego se haya extinguido COMPLETAMENTE, y la piedra y la chimenea al aire libre se sientan frías al tocarlas.

5. Mantenga los niños y las mascotas alejados del área de reparación hasta que el área haya secado.

6. Lea TODAS las instrucciones de reparación antes de comenzar a hacerlas.

7. NO use pegante a temperaturas más bajas de 32° F (0° C).

8. NO use el pegante en condiciones de alta humedad.

9. Toda reparación debe hacerse en una zona bien ventilada.

10. Debe ponerse gafas antes de abrir las botellas de pegante o de polvo, para evitar que el pegante o el polvo le llegue a los ojos.

11. NO aspire el polvo.

12. NO ingiera el pegante.

13. NO trate de volver a usar pasta pegante seca agregándole agua.

## Reparación de piedra agrietada o desplazada

### Herramienta necesaria:

Brocha desechable

### Instrucciones para la aplicación del pegante

1. Aplique el pegante o use la brocha para aplicarlo en la piedra. Verifique que la capa es pareja y que el grosor del pegante es de aproximadamente 3/32" (2 mm).

2. Sostenga la piedra contra la piedra de encaje o la placa de metal por lo menos por un (1) minuto.

3. No mueva o use la chimenea al aire libre por 48 horas.

4. Limpie derrames o exceso de pegante usando agua y jabón.

## Retoque del color

### Herramientas necesarias:

Un recipiente pequeño u hoja de aluminio

Brocha desechable

### Instrucciones para retocar el color

1. Vierta en un recipiente separado media (1) tapa (2 gramo) del producto en polvo.

2. Añádale 60 mL (2,03 onza líquida) de agua en el mismo recipiente.

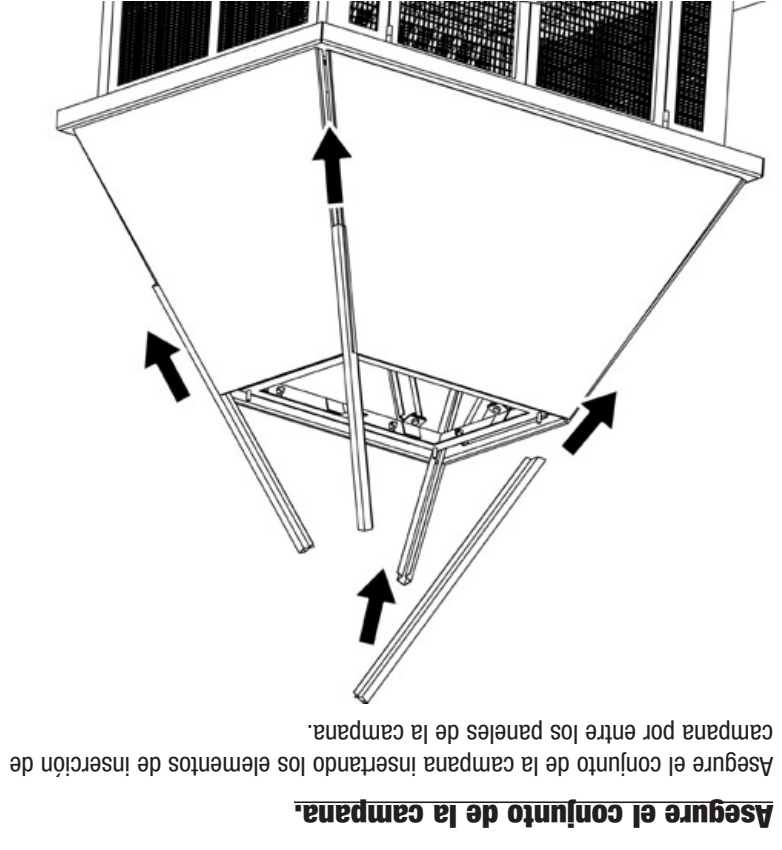
3. Una vez que el polvo se ha disuelto completamente, aplique con la brocha la mezcla a la piedra. La cantidad mezclada alcanzará para cubrir aproximadamente 5,4 pies<sup>2</sup> (0,5 m<sup>2</sup>).

4. No use la chimenea al aire libre por 48 horas después de haber retocado la piedra.

5. Descarte en la basura los sobrantes de mezcla de color, fresca o seca.

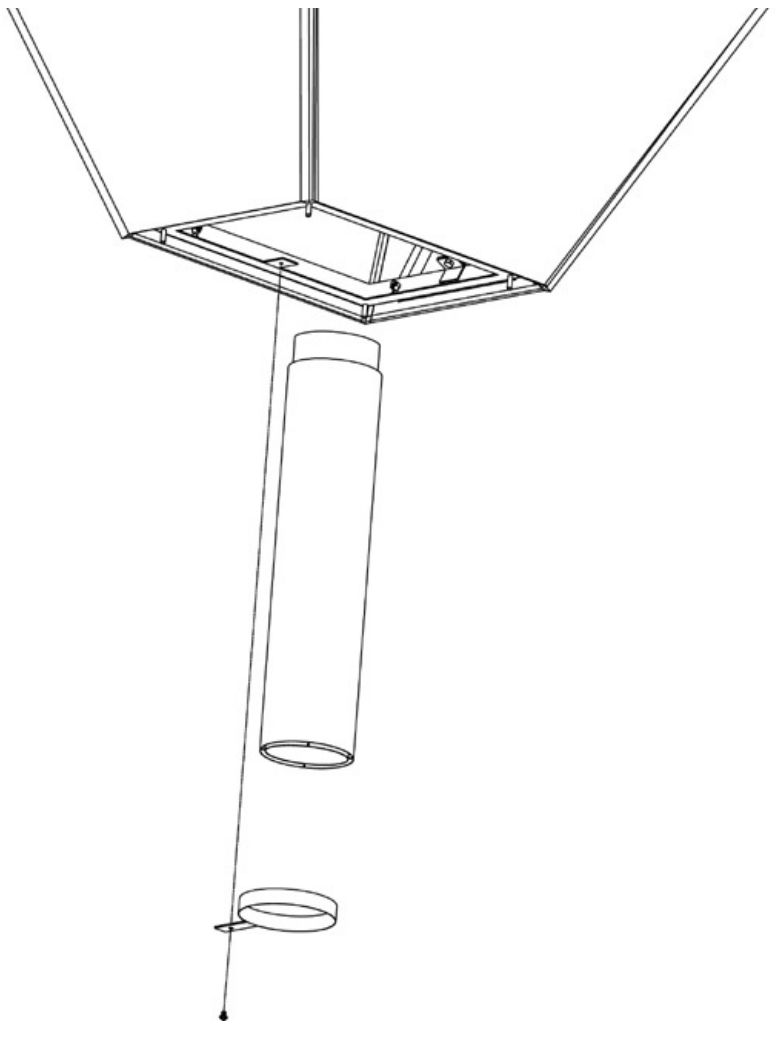
6. Limpie los derrames de mezcla usando agua y jabón.

**Paso 25**



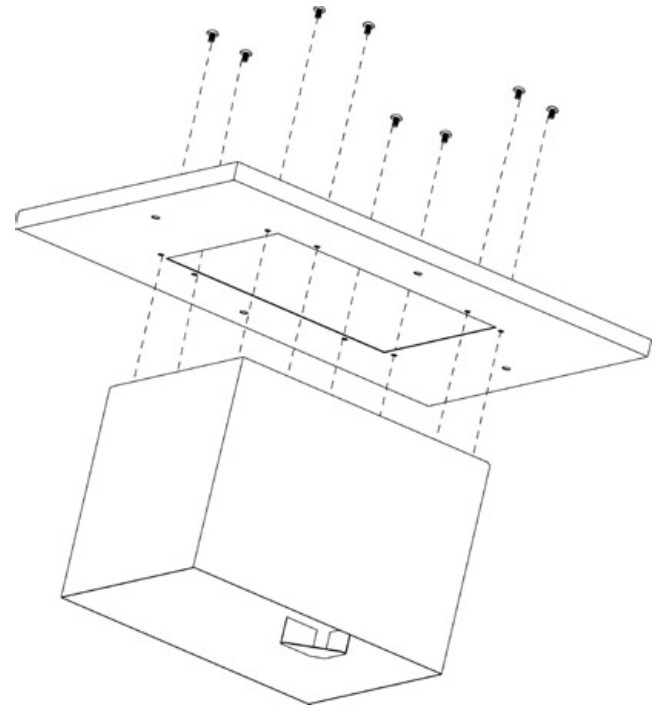
**Asegure el conjunto de la campana.**  
Asegure el conjunto de la campana insertando los elementos de inserción de campana por entre los paneles de la campana.

**Paso 26**



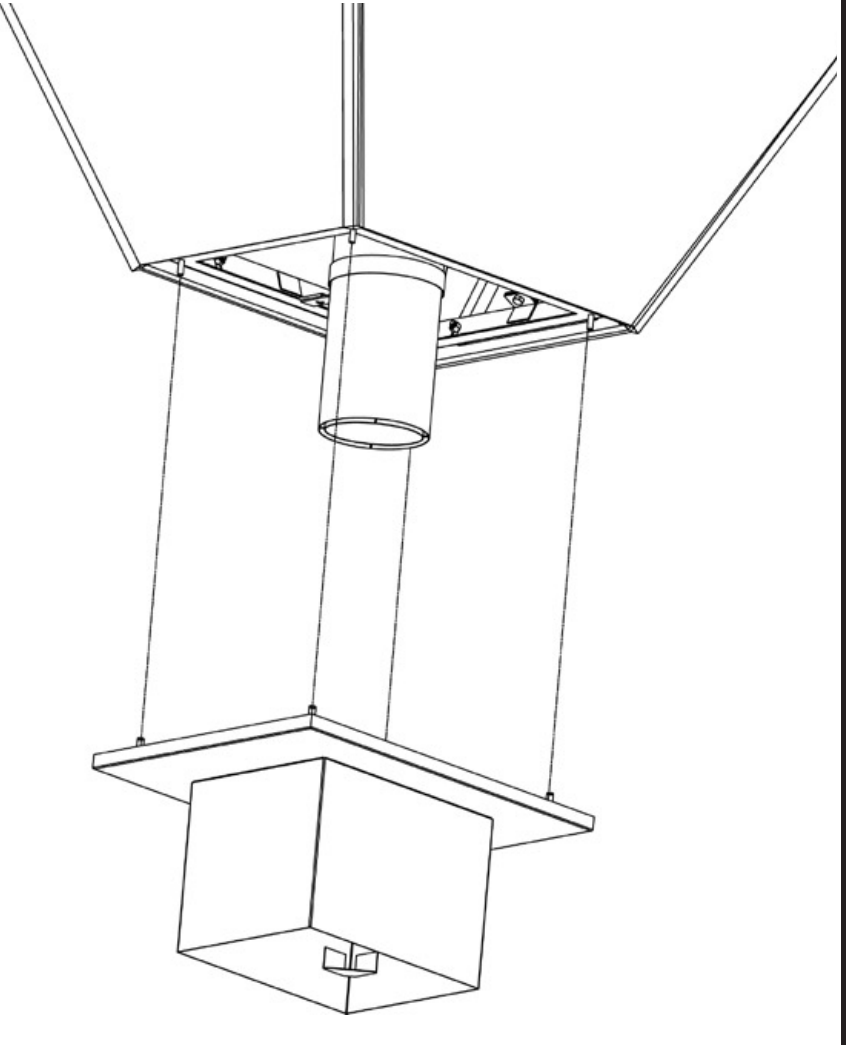
**Fije el cañón interno de la chimenea.**  
Fije en la campana el cañón interno de la chimenea y el anillo de chimenea, usando un perno pequeño (B).

**Paso 27**



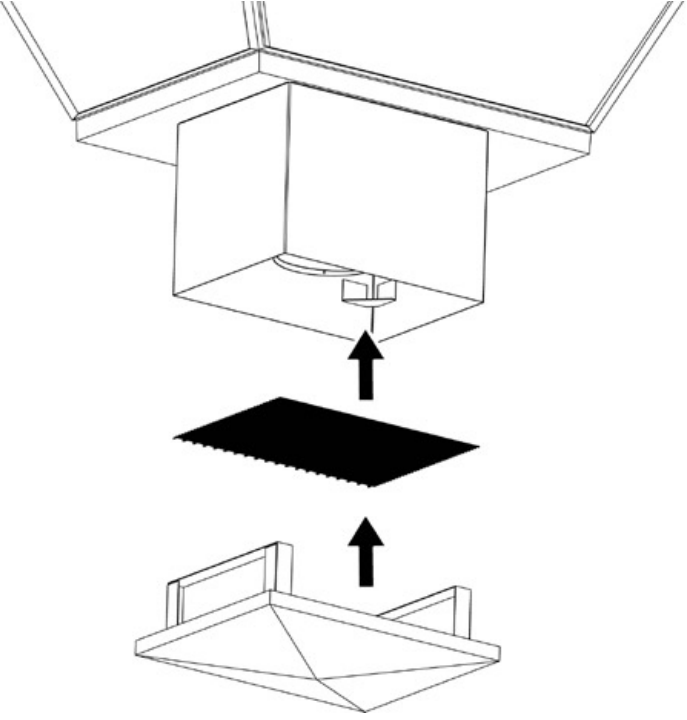
**Arme el cañón de la chimenea.**  
Fije el cañón de la chimenea en la base del cañón de la chimenea usando 8 tornillos.  
*Nota:* El destornillador Phillips no está incluido.

**Paso 28**



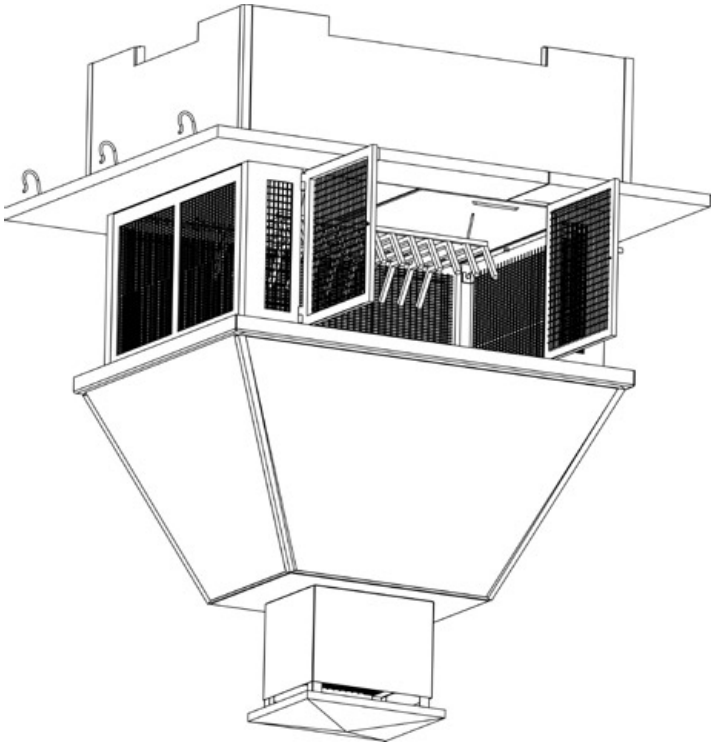
**Fije el conjunto del cañón de la chimenea.**  
Fije el conjunto del cañón de la chimenea en los postes de la campana.

**Paso 29**



**Fije la tapa.**  
A. Coloque la malla del cañón de la chimenea dentro del cañón de la chimenea.  
B. Inserte la tapa del cañón de la chimenea dentro del cañón de la chimenea.

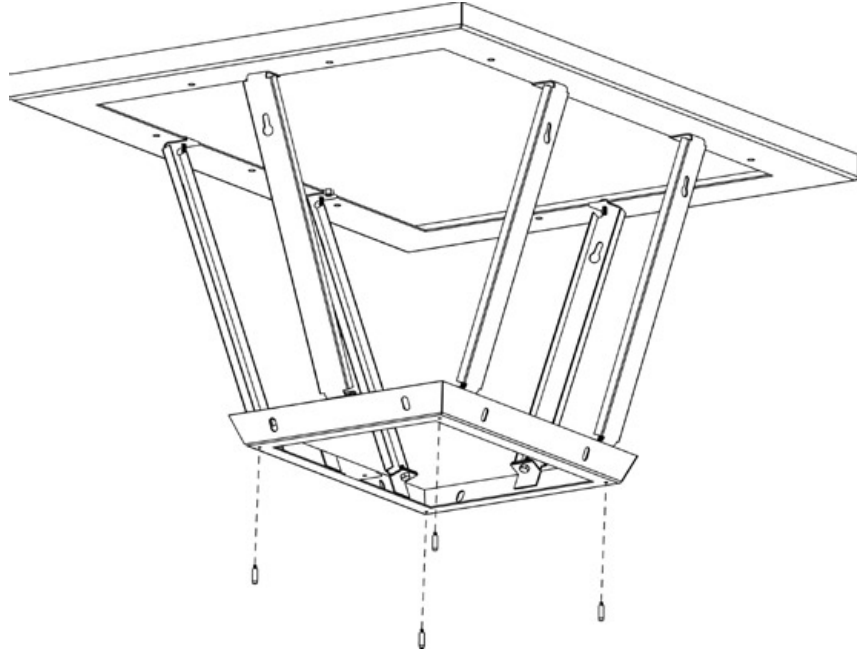
**Paso 30**



**Terminado**  
Felicitaciones. Ha terminado el armado de la unidad. Lea las instrucciones de Operación antes de operar la unidad.

**Paso 19**

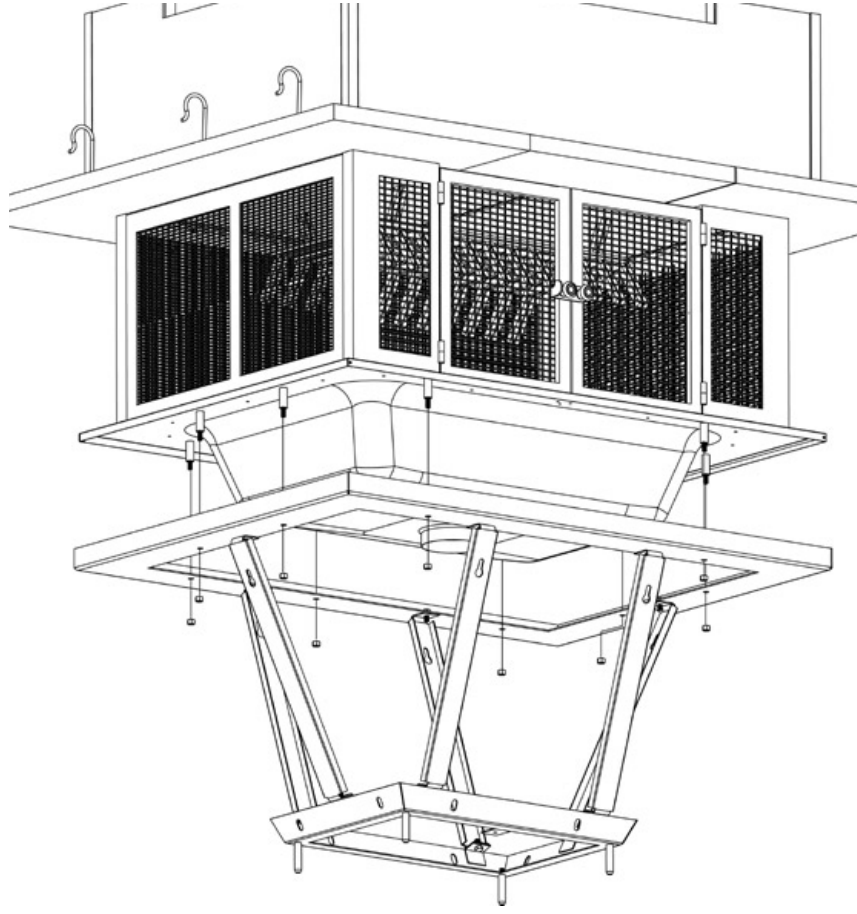
Fije los 4 postes. (g).



**Paso 20**

Fije el conjunto de la campana.

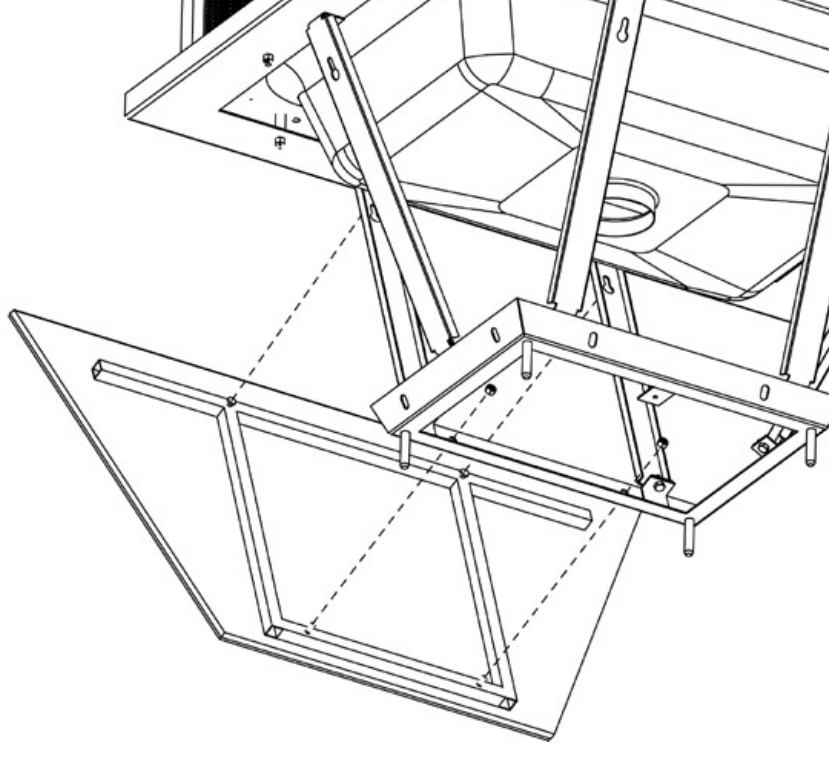
Fije en el techo el conjunto de la campana usando 9 tuercas (D).



**Paso 21**

Fije el panel de atrás de la campana.

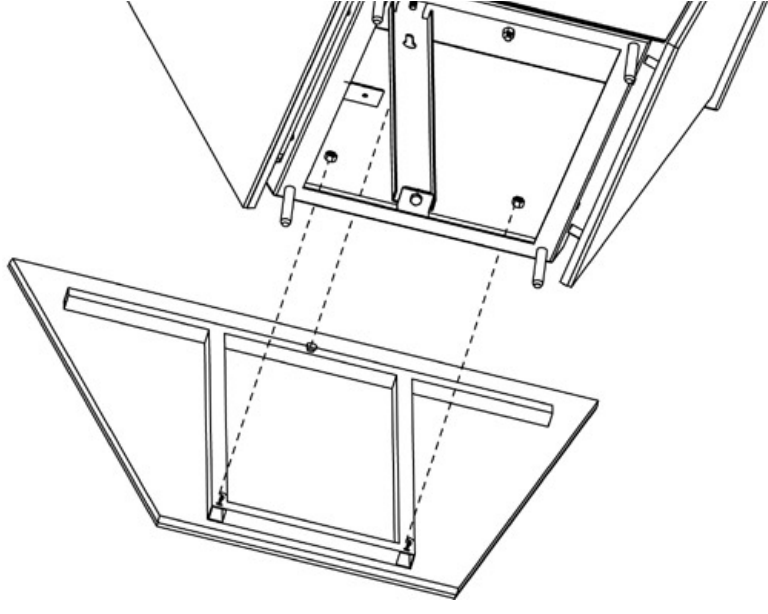
Fije en la campana el panel "B" de la campana, insertando las espigas de abajo en la aberturas de ojo de cerradura y asegure la parte de arriba usando 2 tuercas (D).



**Paso 24**

Fije el panel de campana izquierdo.

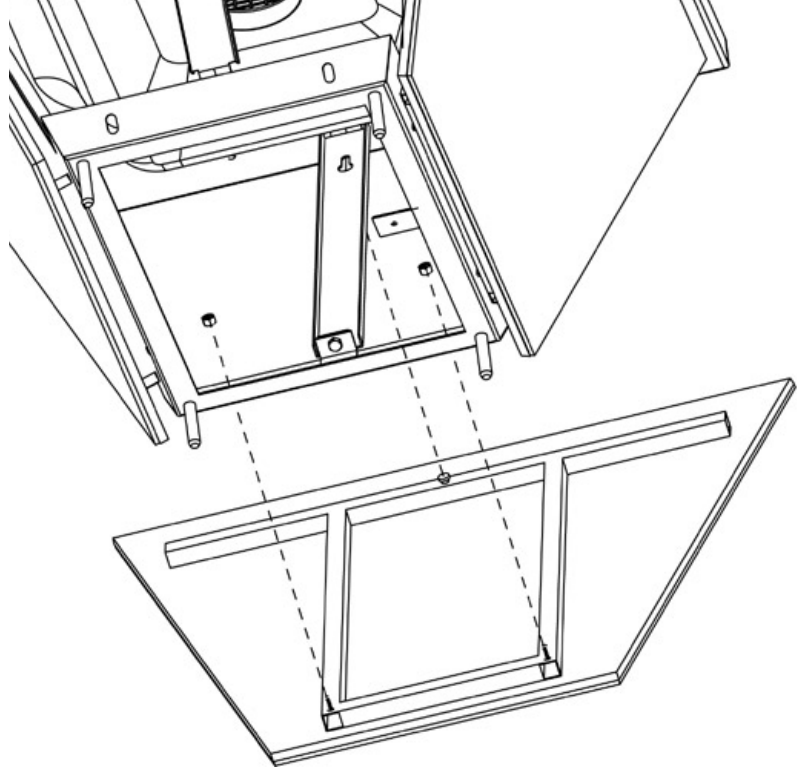
Fije en la campana el panel "A" de la campana, insertando la espiga de abajo en la abertura de ojo de cerradura y asegure la parte de arriba usando 2 tuercas (D).



**Paso 23**

Fije el panel de campana derecho.

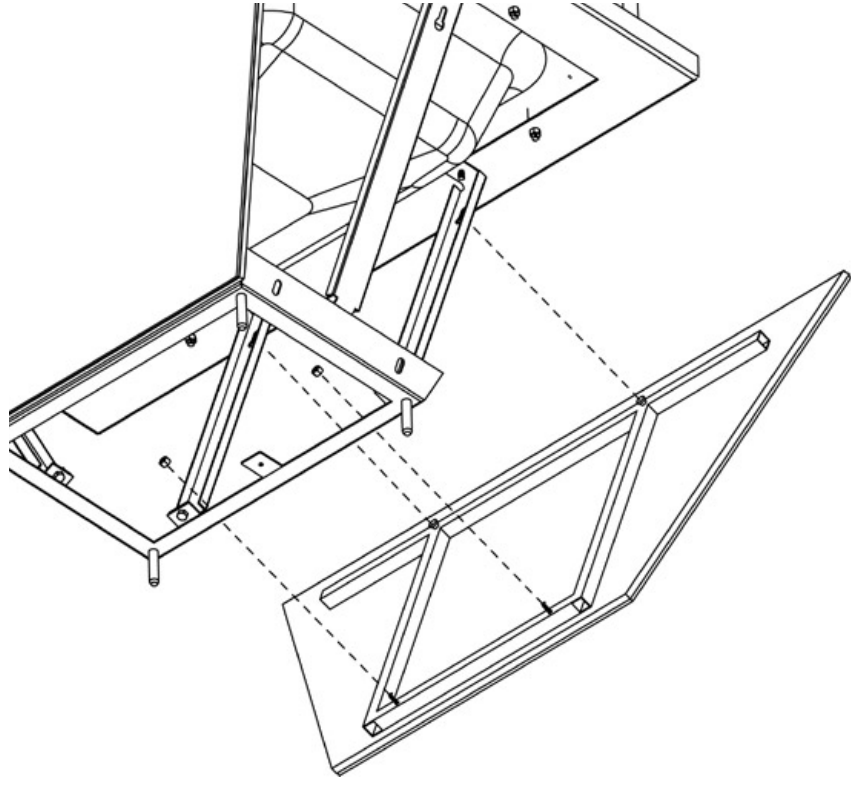
Fije en la campana el panel "A" de la campana, insertando la espiga de abajo en la abertura de ojo de cerradura y asegure la parte de arriba usando 2 tuercas (D).

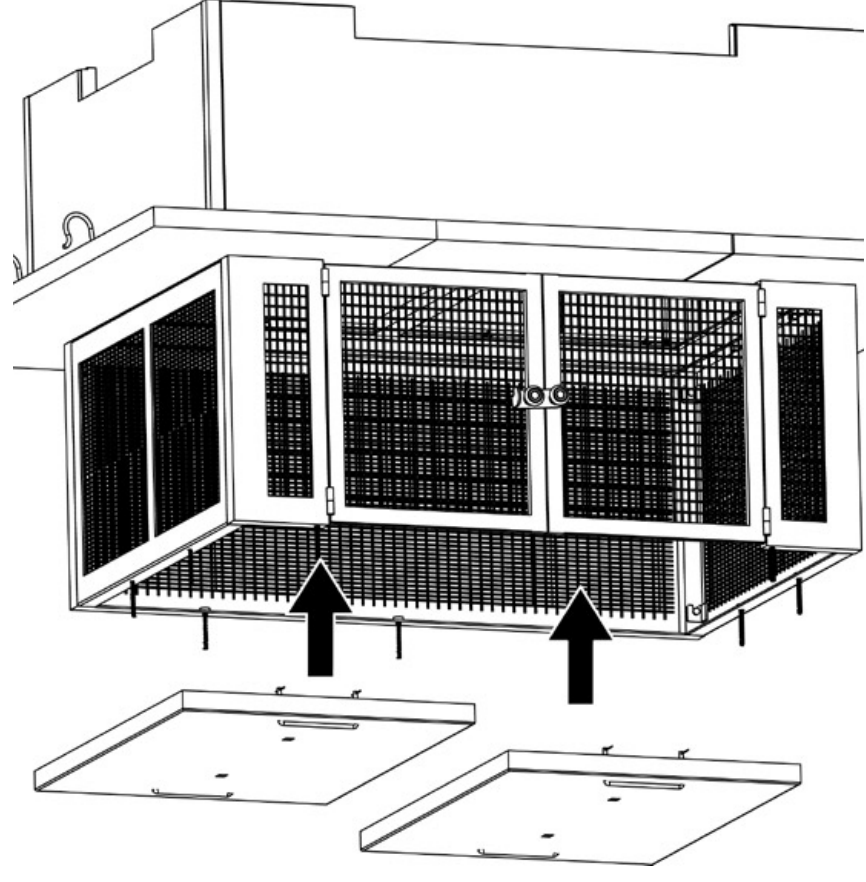


**Paso 22**

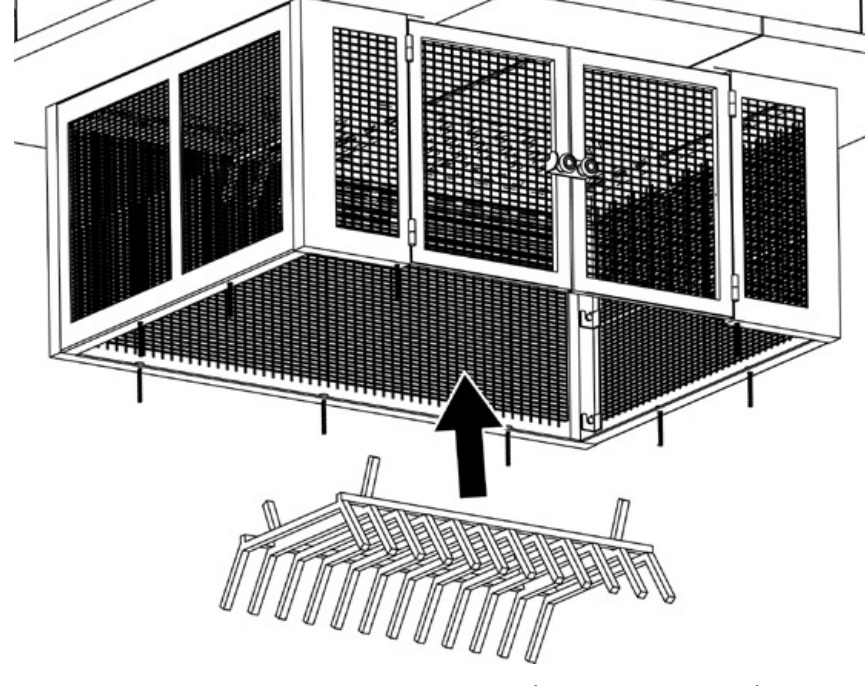
Fije el panel del frente de la campana.

Fije en la campana el panel "B" de la campana, insertando las espigas de abajo en la aberturas de ojo de cerradura y asegure la parte de arriba usando 2 tuercas (D).

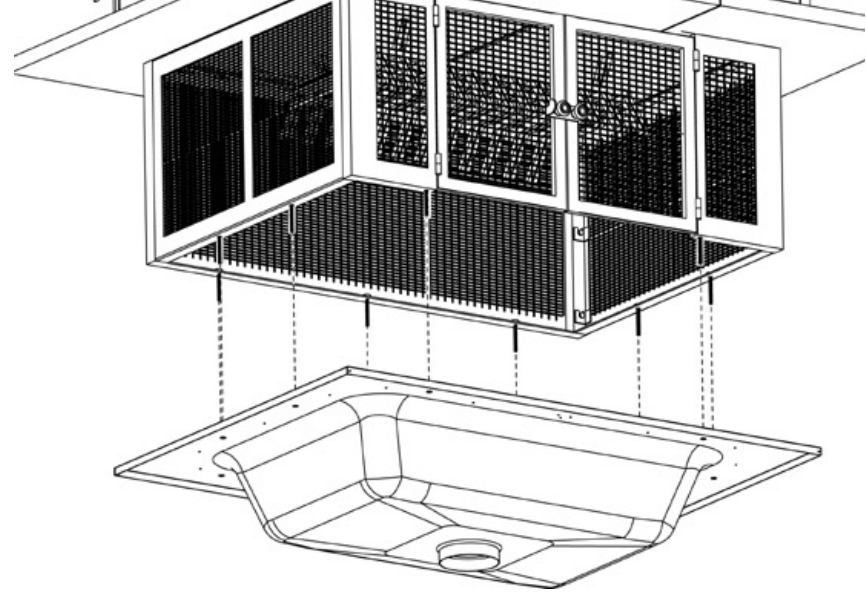




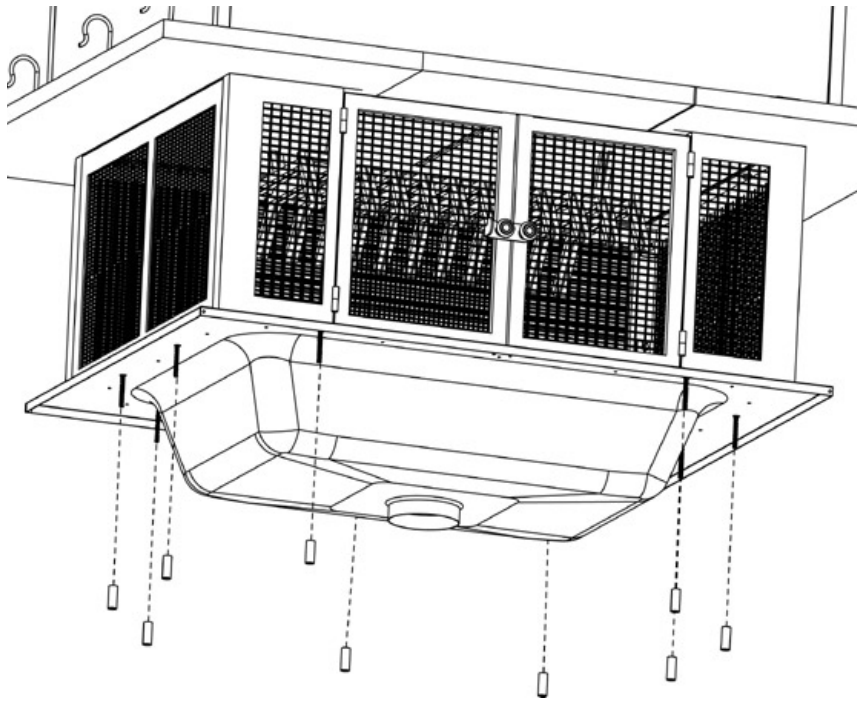
**Paso 13**  
**Inserte en la base las planchas de base de la cámara.**



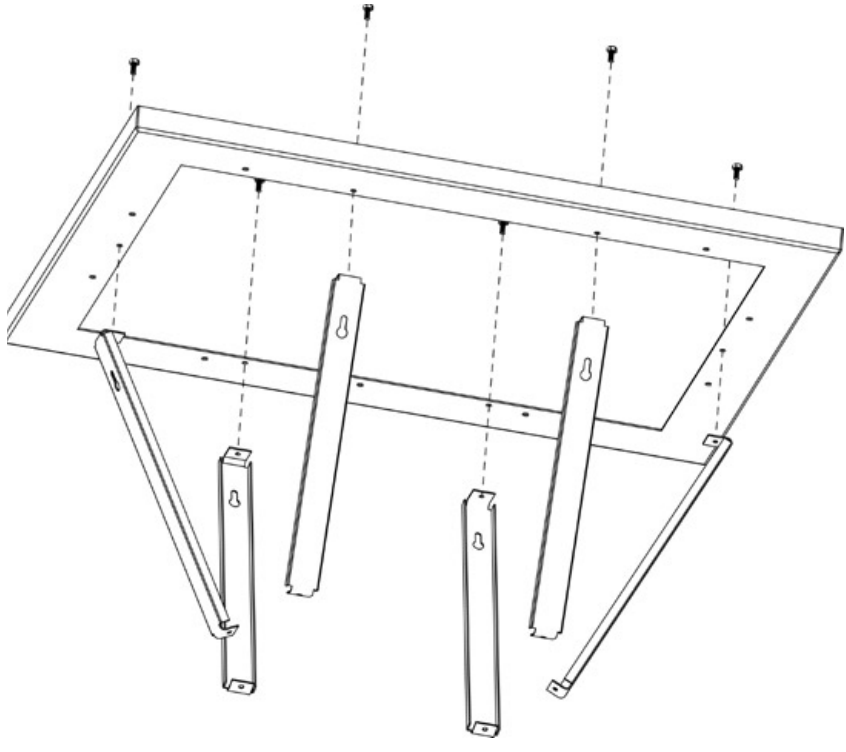
**Paso 14**  
**Inserte la parrilla de leña en las planchas de base de la cámara.**



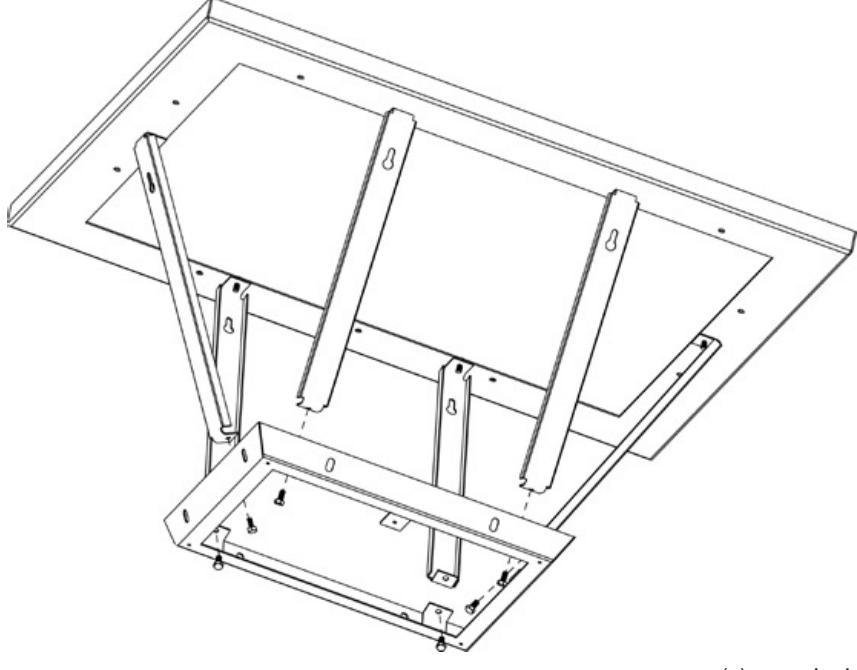
**Paso 15**  
**Fije el techo.**  
Fije el techo sobre los resguardos de chispas.  
Nota: Puede ser necesario tener las puertas abiertas para fijar el techo.  
Nota: El techo se asegurará más adelante.



**Paso 16**  
**Coloque las mangas para pernos.**  
Coloque 9 mangas para pernos (F) en los pernos de los resguardos de chispas.



**Paso 17**  
**Arme la base de la campana.**  
Fije los soportes A y B de la campana en la base de la campana, usando 6 pernos pequeños (B).  
Nota: No apriete demasiado los pernos.



**Paso 18**  
**Fije el tope de la campana.**  
Fije el tope de la campana en los soportes de la campana usando 6 pernos pequeños (B).

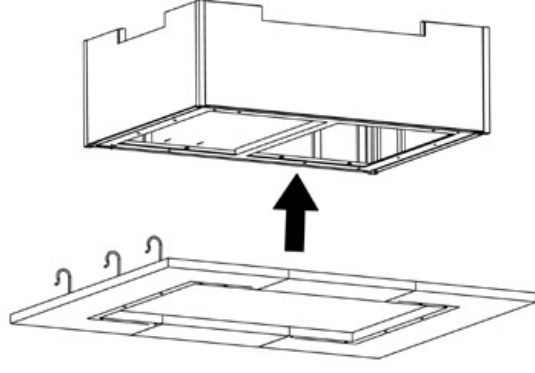
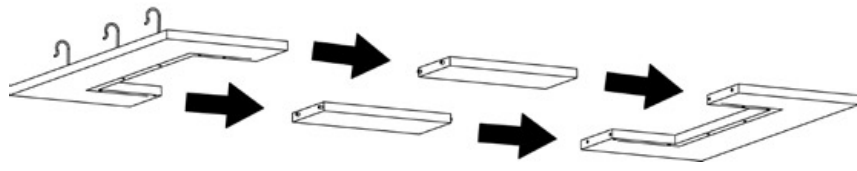
**Paso 7**

**Arme el hogar y fije el hogar.**

A. Una la placa delantera y la placa trasera del hogar con la placa izquierda y la placa derecha del hogar.

B. Coloque el hogar sobre la base.

Nota: El hogar quedará asegurado en la base cuando se fijen los resguardos de chispas.

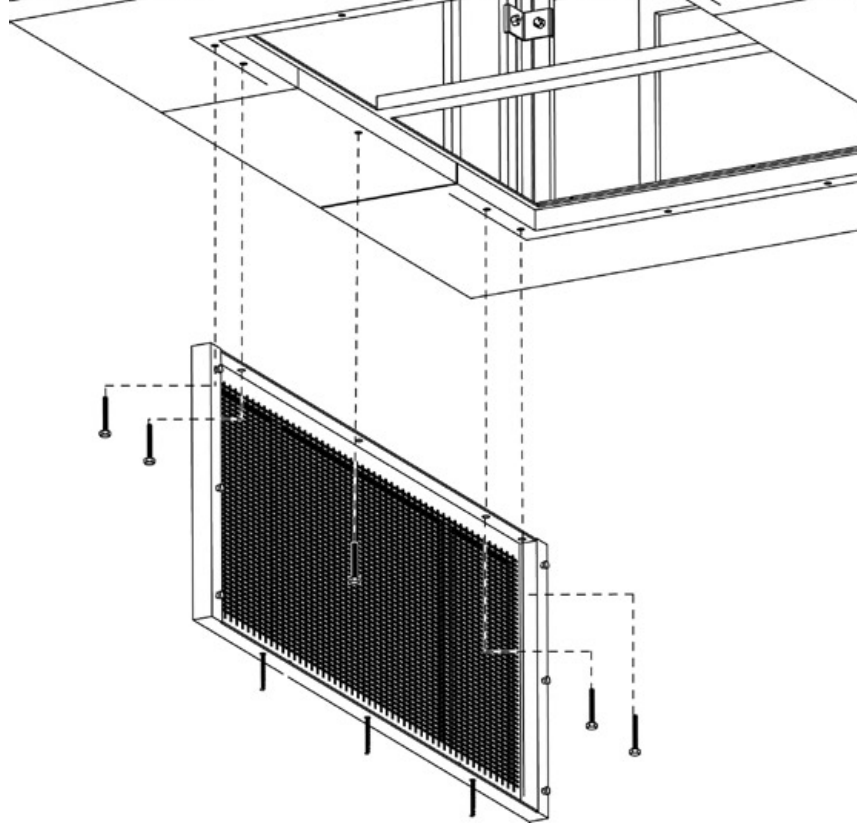


**Paso 8**

**Fije el resguardo de chispas trasero.**

Fije el resguardo de chispas trasero en la chimenea y en la base usando 5 pernos grandes (C).

Nota: No apriete completamente los pernos todavía.

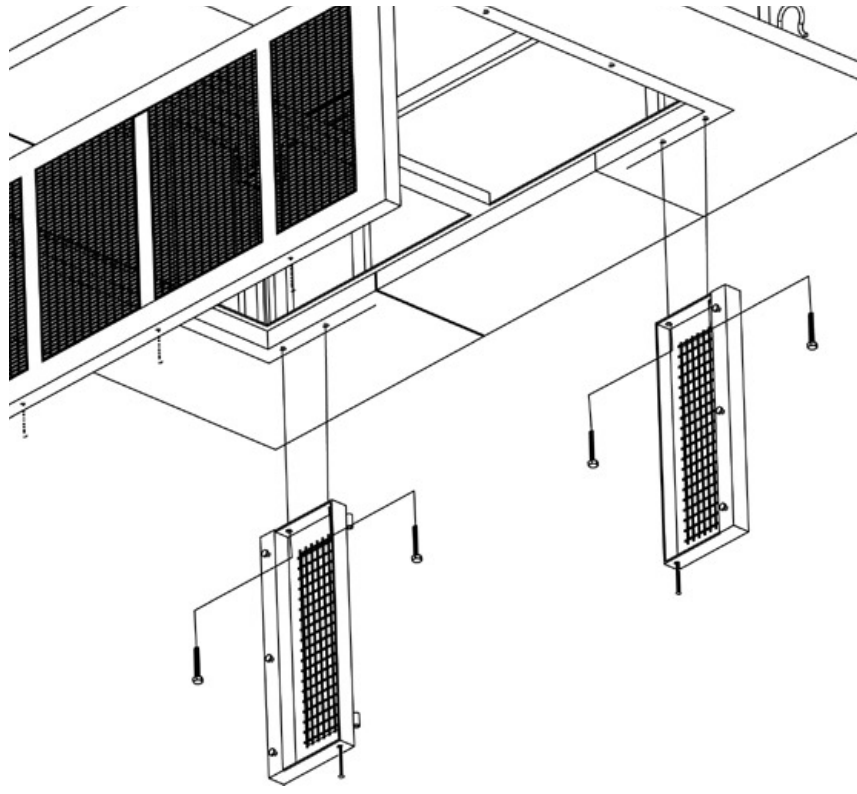


**Paso 9**

**Fije los resguardos de chispas del frente.**

Fije en la chimenea y en la base los resguardos de chispas izquierdo y derecho del frente, usando 4 pernos grandes (C).

Nota: No apriete completamente los pernos todavía.

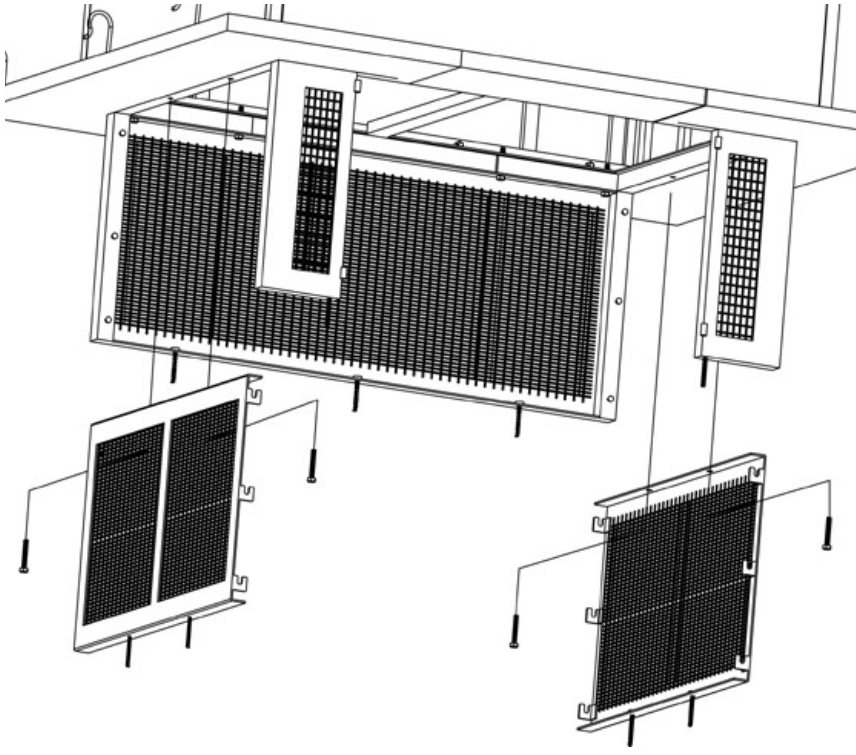


**Paso 10**

**Fije los resguardos de chispas laterales.**

Fije en la chimenea y en la base los resguardos de chispas laterales usando 4 pernos grandes (C).

Nota No apriete completamente los pernos todavía.

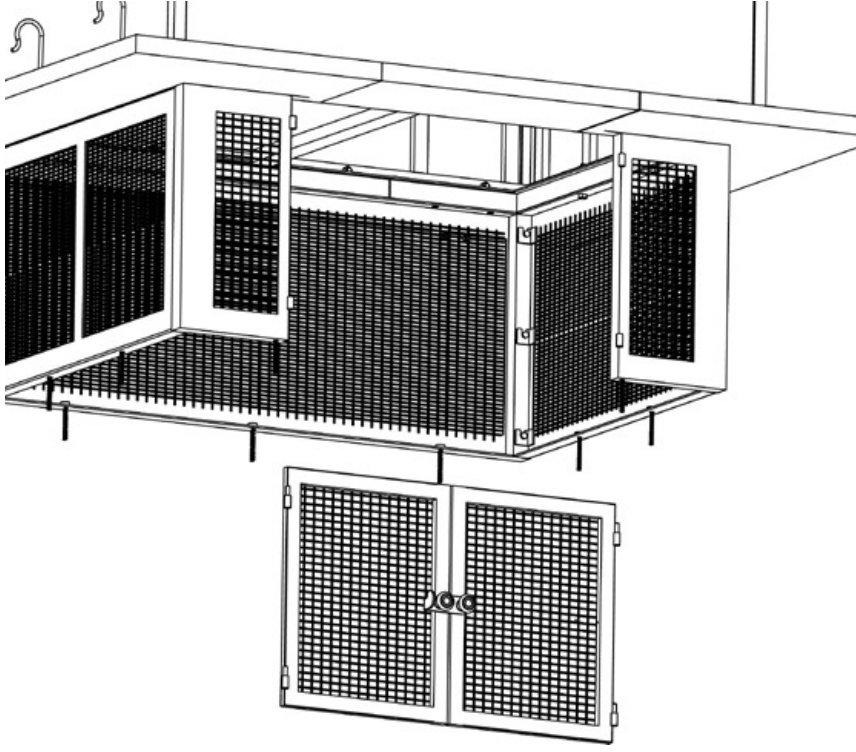


**Paso 11**

**Instale las puertas.**

A. Instale las puertas izquierda y derecha del resguardo de chispas en el frente del resguardo de chispas, engancharlo las puertas en los goznes del frente del resguardo de chispas.

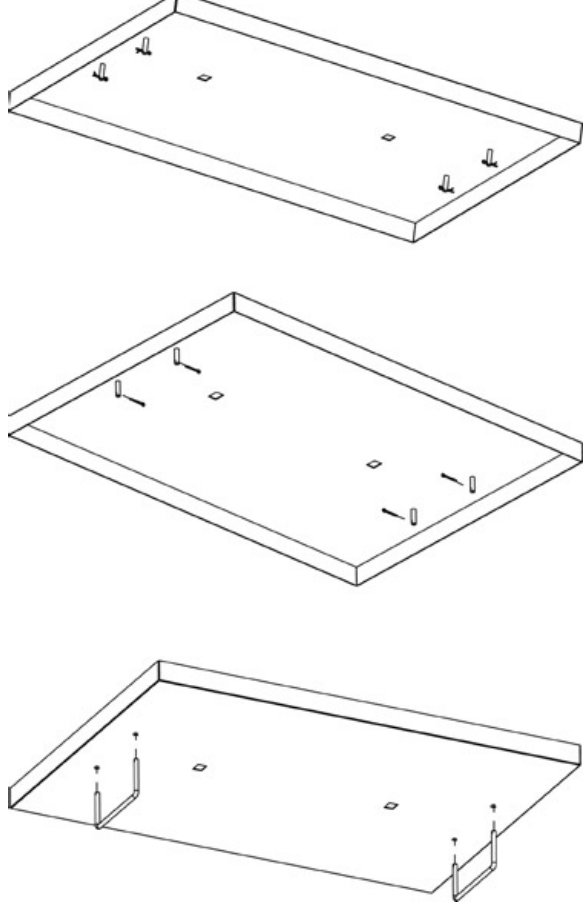
B. Apriete completamente todos los pernos de los resguardos de chispas



**Paso 12**

**Arme las placas de base.**

Introduzca las manijas de cámara en cada una de las placas de base de cámara y asegúrelas con 4 pasadores de horquilla (E).



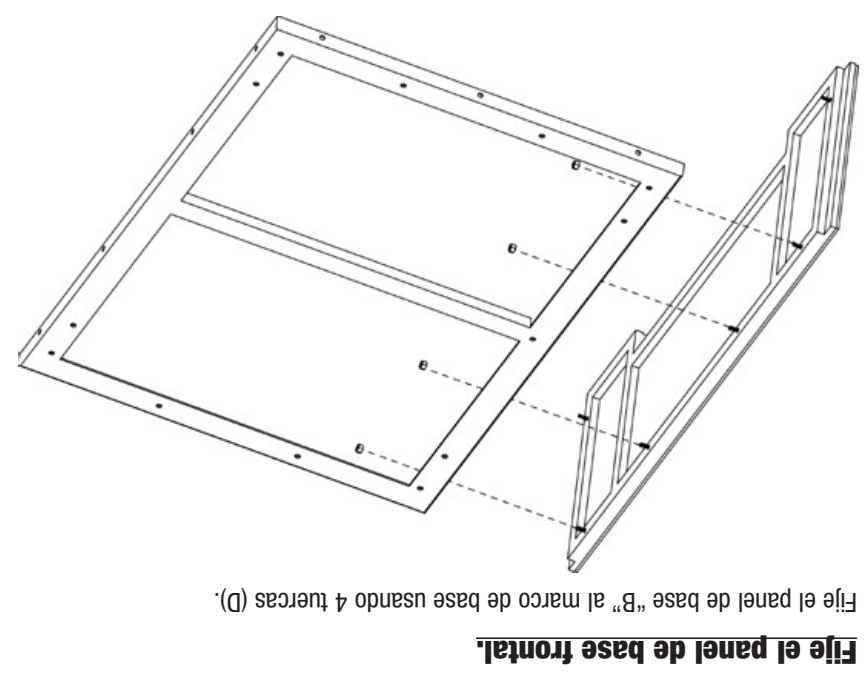


**Instrucciones de Armado**

**NO DEVUELVA EL PRODUCTO AL LUGAR DE COMPRA**  
 Si necesita ayuda llame, sin cargo, al 1.800.762.1142. Por favor tenga a mano su manual y el número de serie de la unidad, para referencia.

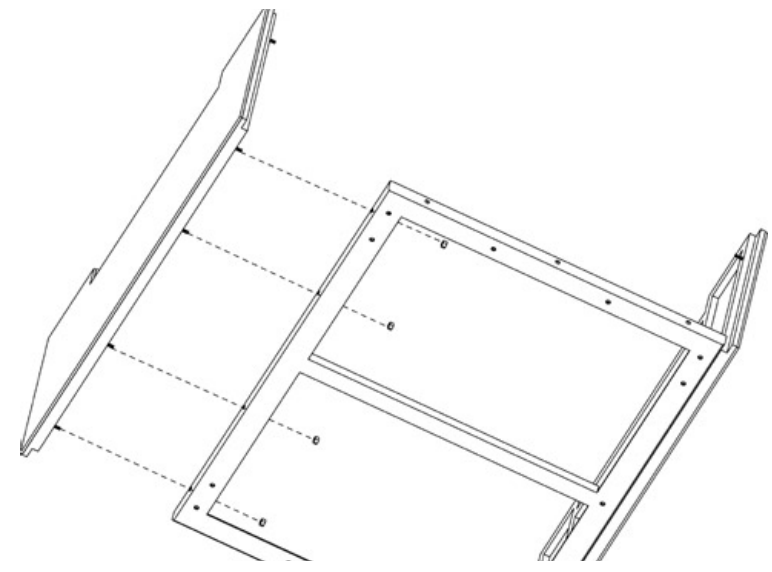
- Para facilitar el armado:
- Evite la pérdida de componentes pequeños o elementos de ferretería, armando el producto en un lugar de piso plano sin aberturas ni hendijas.
  - Despeje un área suficientemente grande para disponer todos los componentes y los elementos de ferretería.
  - Cuando sea del caso, apriete a mano, en un principio, las conexiones de ferretería. Una vez que ha terminado el Paso, apriete completamente todos los elementos de ferretería.
  - Siga todos los Pasos en el orden indicado para armar debidamente esta unidad.

**Paso 1**



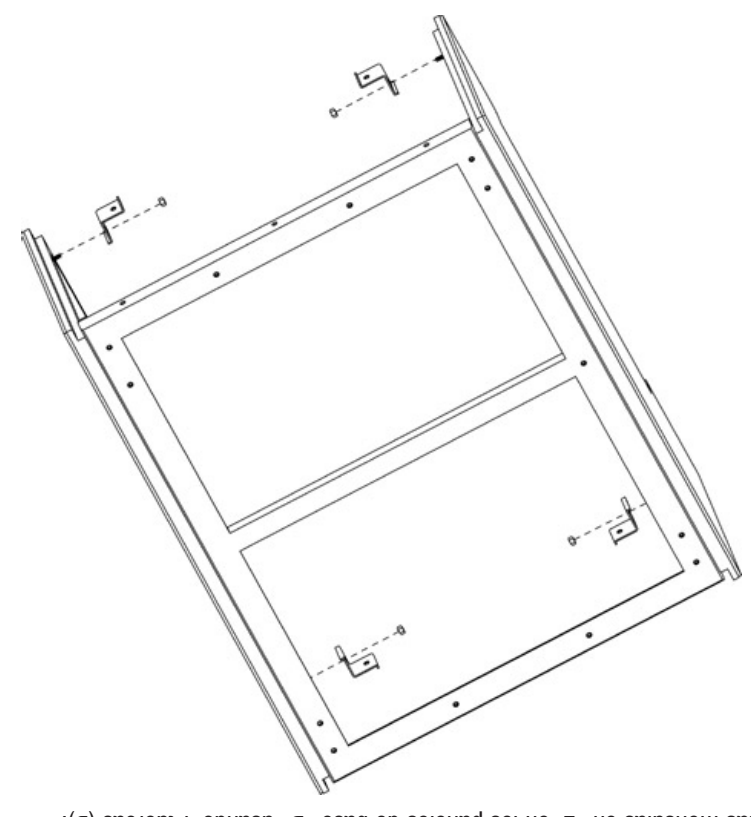
**Fije el panel de base frontal.**  
 Fije el panel de base "B" al marco de base usando 4 tuercas (D).

**Paso 2**



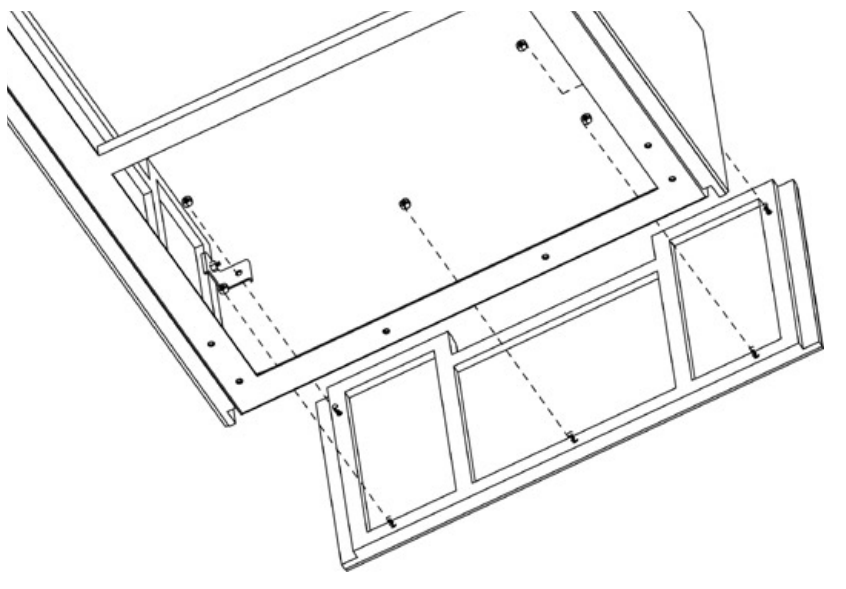
**Fije el panel de base trasero.**  
 Fije el panel de base "B" al marco de base usando 4 tuercas (D).

**Paso 3**



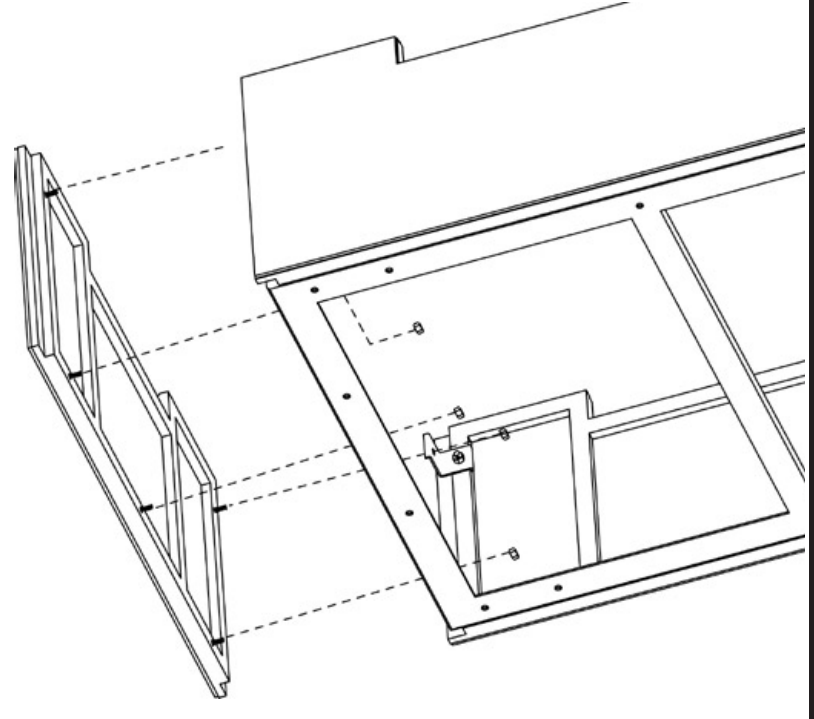
**Fije las ménsulas en "L".**  
 Fije las ménsulas en "L" en los paneles de base "B" usando 4 tuercas (D).

**Paso 4**



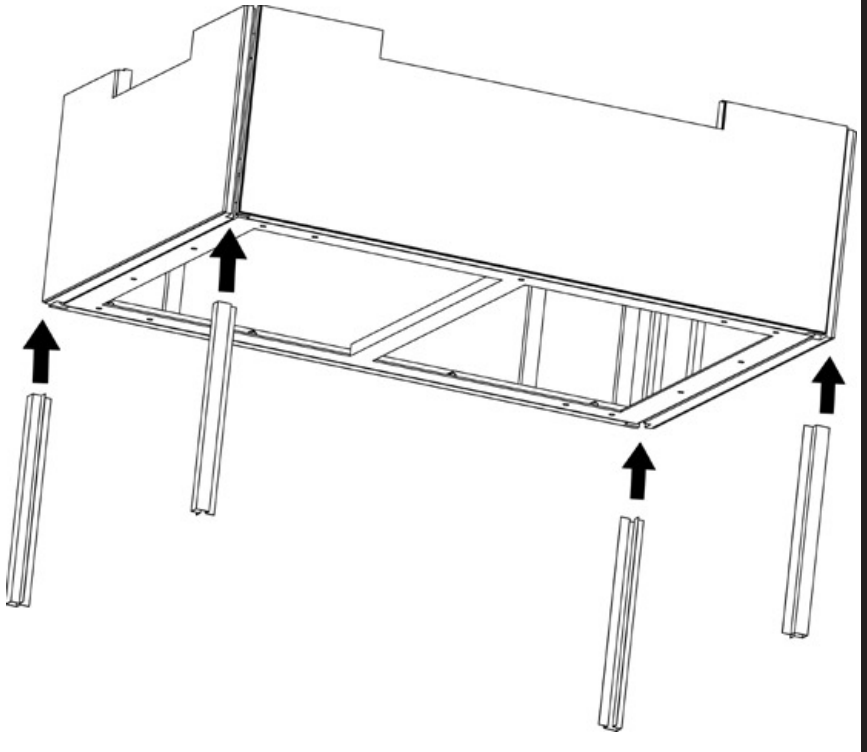
**Fije el panel del lado izquierdo.**  
 Fije el panel de base "A" al marco de base y a las ménsulas en "L" usando 5 tuercas (D).

**Paso 5**



**Fije el panel del lado derecho.**  
 Fije el panel de base "A" al marco de base y a las ménsulas en "L" usando 5 tuercas (D).

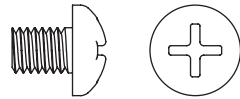
**Paso 6**



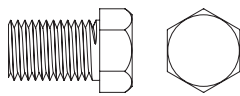
**Inserte los elementos de inserción de base.**  
 Introduzca los elementos de inserción de base entre los paneles de base.

## Elementos de Ferrería / Tamaño Real

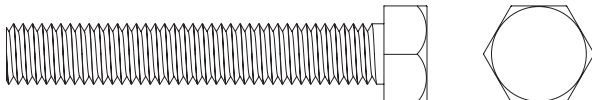
A. Tornillo  
Tornillo Niquelado Negro de Cabeza de Puente M6x8  
8



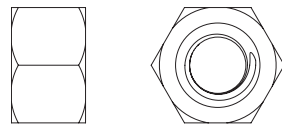
B. Perno Pequeño  
Perno Niquelado Negro de Cabeza Hexagonal M8x12  
13



C. Perno Grande  
Perno Niquelado Negro de Cabeza Hexagonal M8x50  
13



D. Tuerca  
Tuerca Hexagonal Niquelada Negra M8  
39

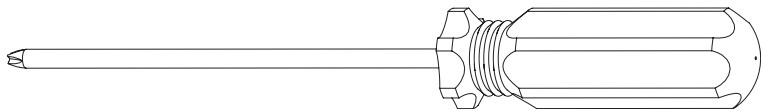


E. Pasador de Horquilla\*\*  
8



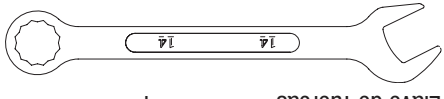
\*\*No se muestra a tamaño real.

A. Destornillador\*\*



Ferrería Adicional Requerida:

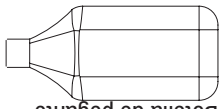
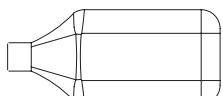
Herramientas Incluidas



1

Botella de retoque del color\*\*

1



1

Botella de pegante\*\*

G. Poste\*\*



4

F. Manga de Perno\*\*

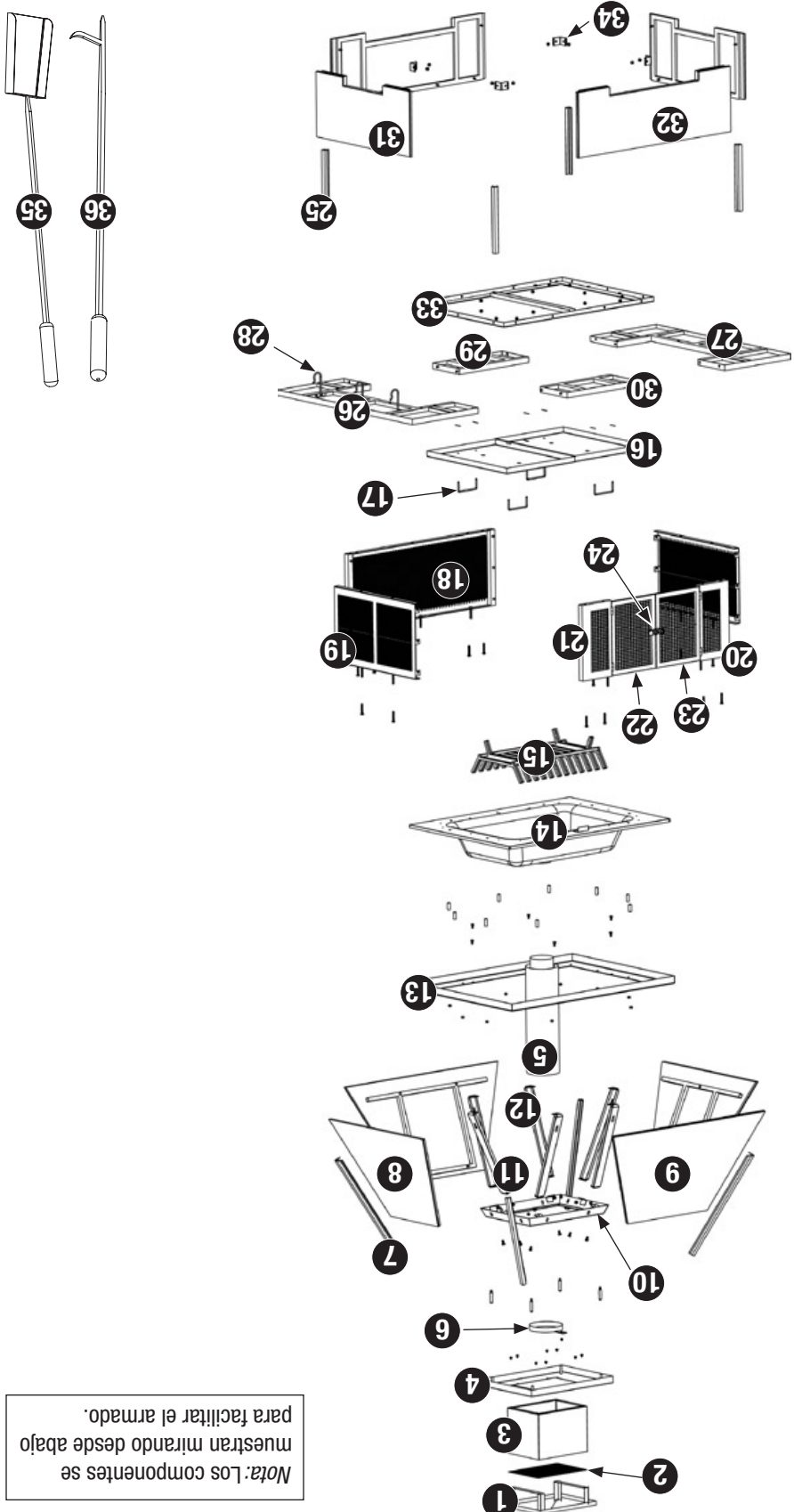


9

## Diagrama de Explosión

1. Tapa..... 55-05-045
2. Malla del Cañón de Chimenea..... 55-05-013
3. Cañón de Chimenea..... 55-05-010
4. Base del Cañón de Chimenea..... 55-05-011
5. Cañón Interno..... 55-05-028
6. Anillo del Cañón de Chimenea..... 55-05-012
7. Elementos de Inserción de Campana (4)..... 55-05-022
8. Panel A de Campana (2)..... 55-05-023
9. Panel B de Campana..... 55-05-024
10. Tapa de Campana..... 55-05-027
11. Soportes "A" de Campana (2)..... 55-05-025
12. Soportes "B" de Campana (4)..... 55-05-026
13. Base de Campana..... 55-05-021
14. Techo..... 55-05-037
15. Parrilla para Leña..... 55-05-046
16. Placas de Base de Cámara (2)..... 55-05-008
17. Manijas de Cámara (4)..... 55-05-009
18. Resguardo de Chispas Trasero..... 55-05-002
19. Resguardo de Chispas Lateral (2)..... 55-05-042
20. Resguardo de Chispas Frontal Izquierdo..... 55-05-016
21. Resguardo de Chispas Frontal Derecho..... 55-05-017
22. Puerta Derecha de Resguardo de Chispas..... 55-05-036
23. Puerta Izquierda de Resguardo de Chispas..... 55-05-030
24. Manija de Puerta..... 55-05-015
25. Elementos de Inserción de Base (4)..... 55-05-004
26. Placa Derecha del Hogar..... 55-05-041
27. Placa Izquierda del Hogar..... 55-05-040
28. Elemento de Enganche (3)\*..... 55-05-044
29. Placa Trasera del Hogar..... 55-05-031
30. Placa Delantera del Hogar..... 55-05-032
31. Panel de Base "A" (2)..... 55-05-005
32. Panel de Base "B" (2)..... 55-05-006
33. Marco de la Base..... 55-05-003
34. Mensula en "L" (4)..... 55-05-001
35. Pala..... 55-05-039
36. Atizador..... 55-05-035

\*Viene armado



Nota: Los componentes se muestran mirando desde abajo para facilitar el armado.



**ADVERTENCIA**  
PARA SU SEGURIDAD:


1. Esta unidad es para ser usada al aire libre únicamente y NO debe usarse en un edificio, garaje o cualquier otra área cerrada.
2. NO use esta chimenea al aire libre para cocinar dentro o calentar el ambiente. Los gases tóxicos de monóxido de carbono pueden acumularse y provocar la asfixia.
3. Esta chimenea al aire libre NO ha sido diseñado para uso comercial.
4. La chimenea al aire libre NO debe ser usada por los niños.
5. NO instale o utilice esta chimenea al aire libre en embarcaciones o vehículos de recreo.
6. Observe siempre y use la unidad cumpliendo todos los códigos de incendio aplicables, locales y nacionales. Obtenga de su Departamento de Incendios local detalles en cuanto a quemar al aire libre.
7. Al usar esta chimenea al aire libre, observe las mismas precauciones que merece cualquier fuego abierto.
8. Use siempre esta chimenea al aire libre sobre un piso firme, nivelado y no combustible, como de hormigón o piedra. Una superficie de asfalto puede no ser aceptable para este propósito. NO use la chimenea sobre patios de madera.
9. El uso de bebidas alcohólicas, medicamentos o drogas de farmacia puede afectar la habilidad del usuario para armar debidamente u operar en forma segura esta chimenea al aire libre.
10. No encienda esta chimenea al aire libre sin haber leído las instrucciones de "Encendido" que se encuentran en este manual.
11. Use siempre leña seca para quemar, que quemar a mayor temperatura, en forma más completa, y que produce menos humo con esta chimenea al aire libre.
12. NO quemar briquetas de carbón de leña o vegetal, carbón, madera aglomerada, madera de deriva, basura, hojas, cartón o pedazos de madera terciada en la chimenea al aire libre. Evite usar maderas blandas como pino o cedro pues estas maderas hacen saltar chispas.
13. NO altere esta chimenea al aire libre de ninguna forma.
14. NO utilice la chimenea al aire libre a menos que esté completamente montada y que todas las piezas estén bien fijadas y apretadas.
15. NO guarde o use gasolina u otros líquidos o vapores inflamables cerca de esta unidad o de cualquier otro aparato.
16. NO use o guarde un tanque de gas propano líquido en un radio inferior a 10 pies (3,05 metros) de esta chimenea al aire libre.
17. No use esta chimenea al aire libre cerca de automóviles, camiones, furgones o vehículos de recreo.
18. NO utilice esta unidad en una atmósfera explosiva. Escija una zona para la chimenea al aire libre alejada de materiales combustibles, gasolina y cualquier otro vapor o líquido inflamable.
19. NO use esta chimenea al aire libre debajo de aleros o cerca de construcciones combustibles que no estén debidamente protegidas. Evite usar la chimenea al aire libre cerca o debajo de árboles y arbustos.
20. Coloque siempre la chimenea al aire libre sobre superficies firmes y niveladas no combustibles tales como las de hormigón, ladrillo o piedra. Una superficie de asfalto o de pavimento puede que no sea adecuada para este propósito. NO use esta unidad sobre plataformas y terrazas de madera.
21. Siempre vacíe el hogar al aire libre después de haberla usada. Deje una capa delgada de ceniza en la base para proteger el fondo.



**ADVERTENCIA**  
PARA SU SEGURIDAD

1. Limpie cualquier pegante de reparación, en la chimenea y en el espacio de trabajo, después de haber realizado reparaciones. No deje que el ingrediente líquido del pegante se seque antes de limpiarlo.
2. Mantenga los dos ingredientes del pegante (el líquido y el polvo) alejados de niños y mascotas.
3. Limpie los residuos de pegante con agua y descarte el pegante y el agua en forma apropiada.
4. NO empiece a reparar cualquier piedra de esta chimenea al aire libre y la chimenea al aire libre se sientan frías al tocarlas.
5. Mantenga los niños y las mascotas alejados del área de reparación hasta que el área haya secado.

22. Evite vestir ropa inflamable cuando usa la chimenea al aire libre.
23. NO utilice la chimenea si hace mucho viento.
24. NO utilice la chimenea al aire libre sin haber instalado las defensas contra chispas.
25. NO use gasolina, kerosén, combustibles de diesel, líquidos para encender carbón o alcohol para encender o volver a encender el hogar al aire libre.
26. Mantenga todos los cables eléctricos lejos de un hogar al aire libre.
27. Cuando la chimenea al aire libre se usa, las superficies estarán calientes. NO toque la chimenea al aire libre hasta que no se haya enfriada completamente para evitar quemaduras, a menos que usted tenga puestos elementos de protección tales como guantes o almohadilla para las ollas, manoplas, guantes de barbacoa, etc. Nunca toque las cenizas o las brazas para determinar si están calientes.
28. NO deje una la chimenea al aire libre encendida sin vigilancia, especialmente si hay niños o mascotas presentes.
29. NO intente mover o guardar el hogar al aire libre antes de que las cenizas y las brazas se hayan completamente enfriado y apagado.
30. NO quite las cenizas o las brazas antes de que se hayan completamente enfriado y apagado.
31. Use guantes y almohadillas resistentes al calor cuando deba manejar las manijas y las ventanas de circulación de aire.
32. Use accesorios de chimenea largos y fuertes cuando deba agregar o mover los leños.
33. NO coloque leña directamente en el fondo de la chimenea al aire libre. Coloque los leños únicamente en la rejilla o bandeja para la leña. En modelos con cañón para el humo no ponga leña en el cañón.
34. NO recargue la chimenea al aire libre. No le agregue leña antes de que las llamas se hayan extinguido. AVISO: Si cualquier parte de la base, campana o resguardos contra las chispas de esta chimenea sobrecargado.
35. No recargue de leña la chimenea al aire libre hasta el punto de que las puertas no cierren correctamente.
36. NO se apoye sobre la chimenea al aire libre cuando la está encendiendo o usando.
37. NO coloque un protector contra chispas o herramientas calientes sobre el cèsped, sobre terrazas de madera o muebles.
38. Evite respirar el humo del fuego y evite que le llegue a los ojos.
39. Esta chimenea al aire libre debe limpiarse y verificarse completamente de manera regular.
40. Después de un periodo de almacenamiento o de haber dejado de usar la unidad por algún tiempo, revise que no haya señales de daños o acumulación de creosota. NO opere la unidad antes de hacer las reparaciones requeridas o reallizar la limpieza necesaria.
41. Use únicamente piezas autorizadas de fábrica de Blue Rhino Global Sourcing, LLC. El uso de cualquier pieza no autorizada de fábrica puede ser peligroso. Su uso invalida su garantía. Llame al 1.800.762.1142.
42. El no seguir exactamente las instrucciones dadas arriba puede producir daños a la propiedad, lesiones serias y hasta fatales.



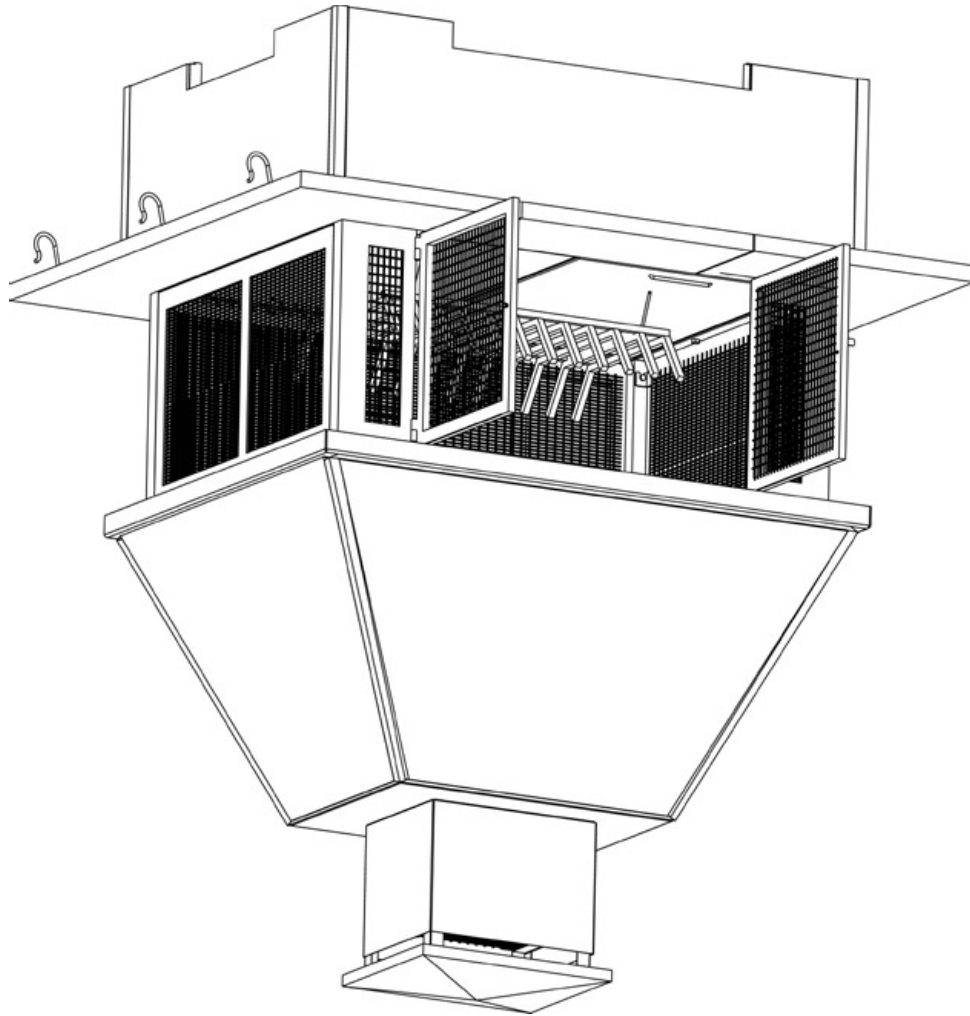
**ADVERTENCIA**  
PARA SU SEGURIDAD

6. Lea TODAS las instrucciones de reparación antes de comenzar a hacerlas.
7. NO use pegante a temperaturas más bajas de 32° F (0° C).
8. NO use el pegante en condiciones de alta humedad.
9. Toda reparación debe hacerse en una zona bien ventilada.
10. Debe ponerse gafas antes de abrir las botellas de pegante o de polvo, para evitar que el pegante o el polvo le llegue a los ojos.
11. NO aspire el polvo.
12. NO ingiera el pegante.
13. NO trate de volver a usar pasta pegante seca agregándole agua.

1. Limpie cualquier pegante de reparación, en la chimenea y en el espacio de trabajo, después de haber realizado reparaciones. No deje que el ingrediente líquido del pegante se seque antes de limpiarlo.
2. Mantenga los dos ingredientes del pegante (el líquido y el polvo) alejados de niños y mascotas.
3. Limpie los residuos de pegante con agua y descarte el pegante y el agua en forma apropiada.
4. NO empiece a reparar cualquier piedra de esta chimenea al aire libre y la chimenea al aire libre se sientan frías al tocarlas.
5. Mantenga los niños y las mascotas alejados del área de reparación hasta que el área haya secado.

## Chimenea al Aire Libre

### Modelo No. WAF508H



### Índice

Salvaguardias importantes	1
Diagrama de Explosión y Elementos de Ferrería	2
Instrucciones de armado	3
Instrucciones de operación	8
Encendido	8
Cuidado del fuego	8
Apagado de la chimenea al aire libre	8
Limpieza y cuidado	8
Inspección	8
Limpieza	8
Almacenamiento	8
Reparación de piedra agrietada o desplazada	8
Retoque del color	8
Registro del producto	9
Garantía Limitada	9

Conserve estas instrucciones para futuras consultas. Si esta montando esta unidad para otra persona, entreguele este manual para futuras consultas.

**ADVERTENCIA**  
PARA SU SEGURIDAD:

- Una instalación, ajuste, alteración, reparación o mantenimiento inadecuados puede causar lesiones o daños a la propiedad.
- Lea atentamente las instrucciones de instalación, funcionamiento y mantenimiento del equipo antes de instalarlo, ponerlo en marcha o darle servicio.
- El no seguir estas instrucciones puede ocasionar un incendio o una explosión, con sus consecuentes daños a la propiedad, lesiones personales y hasta accidentes fatales.

**ADVERTENCIA**  
PARA SU SEGURIDAD:

Solamente Para Uso En Exteriores (fuera de cualquier recinto)

Fabricado en China para:  
Blue Rhino Global Sourcing, LLC  
104 Cambridge Plaza Drive, Winston-Salem, NC 27104 EE.UU.  
1.800.762.1142, www.bluerhino.com

© 2005 Blue Rhino Global Sourcing, LLC. Todos derechos reservados.  
Uniflame® es una marca registrada de Blue Rhino Global Sourcing, LLC. Todos derechos reservados.

## Free Manuals Download Website

<http://myh66.com>

<http://usermanuals.us>

<http://www.somanuals.com>

<http://www.4manuals.cc>

<http://www.manual-lib.com>

<http://www.404manual.com>

<http://www.luxmanual.com>

<http://aubethermostatmanual.com>

Golf course search by state

<http://golfingnear.com>

Email search by domain

<http://emailbydomain.com>

Auto manuals search

<http://auto.somanuals.com>

TV manuals search

<http://tv.somanuals.com>