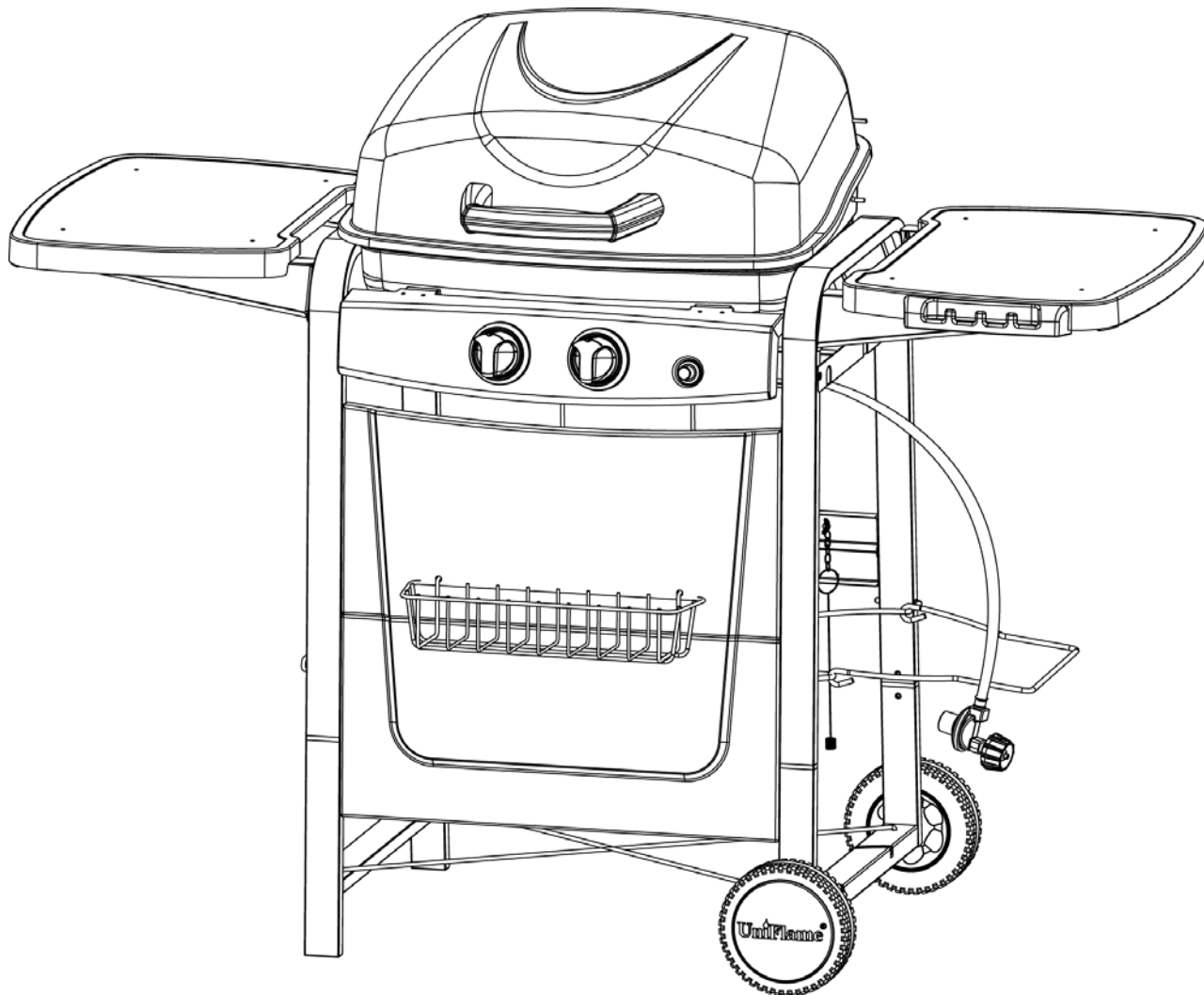


Outdoor LP Gas Barbecue Grill

Model No. GBC900W-C



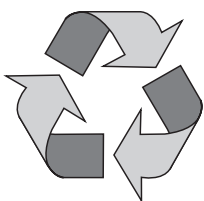
WARNING
FOR YOUR SAFETY:

For Outdoor Use Only
(outside any enclosure)

WARNING
FOR YOUR SAFETY:

1. Improper installation, adjustment, alteration, service or maintenance can cause injury or property damage.
2. Read the installation, operation, and maintenance instructions thoroughly before installing or servicing this equipment.
3. Failure to follow these instructions could result in fire or explosion, which could cause property damage, personal injury, or death.

Save these instructions for future reference. If you are assembling this unit for someone else, give this manual to him or her to read and save for future reference.



Made from 70% Bagasse
(Environmentally Friendly Sugar
Cane Pulp By-product)



Table of Contents	
Important Safeguards	Page 2
Exploded View & Hardware	3
Assembly Instructions	4
Installing LP Gas Tank	8
Insert LP Gas Tank	8
Secure LP Gas Tank	8
Connect LP Gas Tank	8
Operating Instructions	8
Checking for Leaks	8
Operating Main Burners	8
Cleaning and Care	9
Product Registration	10
Limited Warranty	10
Troubleshooting	11

The use and installation of this product must conform to local codes. In absence of local codes, use the *National Fuel Gas Code, ANSI Z223.1/NFPA 54, Natural Gas and Propane Installation Code, CSA B149.1, or Propane Storage and Handling Code, B149.2.*

Manufactured in China for:
Blue Rhino Global Sourcing, Inc
Winston-Salem, NC USA
1.800.762.1142, www.bluerhino.com

© 2008 Blue Rhino Global Sourcing, Inc. All Rights Reserved
UniFlame® is a Registered Trademark of Blue Rhino Global Sourcing, Inc.. All Rights Reserved.

DANGER


If you smell gas -

1. Shut off gas to appliance.
2. Extinguish any open flame.
3. Open lid.
4. If odor continues, keep away from the appliance and immediately call your gas supplier or your fire department.

WARNING
FOR YOUR SAFETY


1. Do not store or use gasoline or other flammable liquids or vapors in the vicinity of this or any other appliance.
2. An LP cylinder not connected for use shall not be stored in the vicinity of this or any other appliance.

▲ DANGER: Failure to follow the dangers, warning and cautions in this manual may result in serious bodily injury or death, or in a fire or an explosion causing damage to property.

▲ WARNING:

- ▲ This grill is for outdoor use only, and shall not be used in a building, garage, or any other enclosed area.
- ▲ Do NOT operate, light or use this appliance within 8 feet of walls, structures or buildings.
- ▲ This grill is NOT for commercial use.
- ▲ This grill is for use with liquid propane (LP) gas only. The conversion to or attempted use of natural gas in this LP gas grill is dangerous and will void your warranty.
- ▲ LP gas Characteristics:
 - a. LP gas is flammable and hazardous if handled improperly. Become aware of the characteristics before using any LP gas product.
 - b. LP gas is explosive under pressure, heavier than air, and settles and pools in low areas.
 - c. LP gas in its natural state has no odor. For your safety, an odorant is added that smells like rotten cabbage.
 - d. Contact with LP gas can cause freeze burns to skin.
- ▲ LP gas tank needed to operate. Only tanks marked "propane" may be used.
- ▲ The LP gas supply tank must be constructed and marked in accordance with the *Specifications for LP gas Cylinders of the U.S. Department of Transportation (DOT) or the National Standard of Canada, CAN/CSA-B339, Cylinders, Spheres and Tubes for the Transportation of Dangerous Goods; and Commission.*
- ▲ LP gas tank must be arranged for vapor withdrawal.
- ▲ The LP gas tank must have a listed overfilling prevention device (OPD).
- ▲ Only use 20-pound cylinders equipped with a cylinder connection device compatible with the connection for outdoor cooking appliances.
- ▲ The LP gas tank must have a tank collar to protect the tank valve.
- ▲ Never use an LP gas tank with a damaged body, valve, collar, or footing.
- ▲ Dented or rusted LP gas tanks may be hazardous and should be checked by your LP gas supplier prior to use.
- ▲ The LP gas tank should not be dropped or handled roughly.
- ▲ Tanks must be stored outdoors out of the reach of children and must not be stored in a building, garage, or any other enclosed area. Your tank must never be stored where temperatures can reach over 125°F.
- ▲ Never keep a filled LP gas tank in a hot car or car trunk. Heat will cause the gas pressure to increase, which may open the relief valve and allow gas to escape.
- ▲ Place dust cap on cylinder valve outlet whenever the cylinder is not in use. Only install the type of dust cap on the cylinder valve outlet that is provided with the cylinder valve. Other types of caps or plugs may result in leakage of propane.
- ▲ Disconnect cylinder when not in use.
- ▲ Do not store a spare LP gas tank under or near this appliance.
- ▲ Never fill the tank beyond 80 percent full.
- ▲ A fire causing, serious injury or damage to property may occur if the above is not followed exactly.
- ▲ Never attempt to attach this grill to the self-contained LP gas system of a camper trailer, motor home, or house.
- ▲ The use of alcohol, or prescription or non-prescription drugs may impair the consumer's ability to properly assemble or safely operate the appliance.
- ▲ Never use charcoal, lighter fluid, lava rocks, gasoline, kerosene, or alcohol with this product.
- ▲ Your grill has been checked at all factory connections for leaks. Recheck all connections as described in the "Operating Instructions" section of the manual, as movement in shipping can loosen connections.
- ▲ Check for leaks even if your unit was assembled for you by someone else.
- ▲ Do not operate if gas leak is present. Gas leaks may cause a fire or explosion.
- ▲ You must follow all leak-checking procedures before operating. To prevent fire or explosion hazard when testing for a leak:
 - a. Always perform leak test before lighting the grill and each time the tank is connected for use.
 - b. No smoking. Do not use or permit sources of ignition in the area while conducting a leak test.
 - c. Conduct the leak test outdoors in a well-ventilated area.
 - d. Do not use matches, lighters, or a flame to check for leaks.
 - e. Do not use grill until any and all leaks are corrected. If you are unable to stop a leak, disconnect the LP gas supply. Call a gas appliance serviceman or your local LP gas supplier.
- ▲ Do not store or use gasoline or other flammable liquids or vapors within 25 feet (7.62 m) of this appliance.
- ▲ Do not use in an explosive atmosphere. Keep grill area clear and free from combustible materials, gasoline and other flammable vapors and liquids.
- ▲ Minimum clearance from sides and back of unit to combustible construction, 21 inches from side and 21 inches from back. Do not use this appliance under overhead combustible surfaces.
- ▲ It is essential to keep the grill's valve compartment, burners, and circulating air passages clean. Inspect grill before each use.
- ▲ Do not alter grill in any manner. Any altering will void your warranty.
- ▲ Do not use the grill unless it is COMPLETELY assembled and all parts are securely fastened and tightened.
- ▲ This grill should be thoroughly cleaned and inspected on a regular basis. Clean and inspect the hose before each use of the appliance. If there is evidence of abrasion, wear, cuts, or leaks, the hose must be replaced prior to the appliance being put into operation.
- ▲ Use only the regulator and hose assembly provided. The replacement regulator and hose assembly shall be that specified by the manufacturer.
- ▲ Use only Blue Rhino Global Sourcing, Inc. factory authorized parts. The use of any part that is not factory authorized can be dangerous. This will also void your warranty.
- ▲ Do not use this appliance without reading "Operating Instructions" in this manual.
- ▲ Do not touch metal parts of grill until it has completely cooled (about 45 min.) to avoid burns, unless you are wearing protective gear (pot holders, gloves, BBQ mittens, etc.).
- ▲ When cooking, fire extinguishing materials shall be readily accessible. In the event of an oil grease fire, do not attempt to extinguish with water. Use type BC dry chemical fire extinguisher or smother with dirt, sand or baking soda.
- ▲ Do not install or use in or on boats or recreational vehicles.
- ▲ Do not use grill in high winds.
- ▲ Never lean over the grill when lighting.
- ▲ Do not leave a lit grill unattended, especially keep children and pets away from grill at all times.
- ▲ Do not attempt to move grill when in use. Allow the grill to cool before moving or storing.
- ▲ Storage of grill indoors is permissible only if the tank is disconnected, removed from the grill and properly stored outdoors.
- ▲ Always open grill lid carefully and slowly as heat and steam trapped within grill can severely burn you.
- ▲ Do not attempt to disconnect the gas regulator from the tank or any gas fitting while the grill is in use.
- ▲ Always place your grill on a hard non-combustible, level surface. An asphalt or blacktop surface may not be acceptable for this purpose.
- ▲ Move gas hoses as far away as possible from hot surfaces and dripping hot grease.
- ▲ Keep all electrical cords away from a hot grill.
- ▲ Do not use grill for indoor cooking or heating. TOXIC fumes can accumulate and cause asphyxiation.
- ▲ After a period of storage and/or nonuse, check for leaks, burner obstructions and inspect for any abrasion, wear, cuts to the hose.
- ▲ Failure to open lid while igniting the grill's burners, or not waiting 5 minutes to allow the gas to clear if the grill does not light, may result in an explosive flame-up.
- ▲ If grill is not in use, the gas must be turned off at the supply tank.
- ▲ Never operate grill without heat plates installed.
- ▲ Always use a meat thermometer to ensure food is cooked to a safe temperature.
- ▲ Please use protective gloves when assembling this product.
- ▲ Do not force parts together as this can result in personal injury or damage to the product.
- ▲ Never cover entire cooking area with aluminum foil.
- ▲ Deaths, serious injury or damage to property may occur if the above is not followed exactly.

Contact 1.800.762.1142 for assistance. Do not return to place of purchase.

Parts List			Exploded View	
1	Lid Handle	55-09-308		
2	Warming Rack	55-09-321		
3	Lid*	55-09-307		
4	Cooking Grid	55-09-300		
5	Heat Plate	55-09-303		
6	Top Hinge (2)*	55-07-360		
7	Bottom Hinge (2)*	55-07-306		
8	Left Side Shelf	55-09-305		
9	Heat Plate Support (2)	55-09-445		
10	Burner (2)*	55-09-295		
11	Right Side Shelf	55-09-316		
12	Side Shelf Support A (2)	55-09-446		
13	Side Shelf Support B (2)	55-09-447		
14	Grill Body Assembly	55-09-301		
15	Control Knob (2)	55-09-298		
16	Grease Cup Support	55-07-316		
17	Grease Cup	55-07-315		
18	Regulator/Hose Assembly	55-08-128		
19	Top Left Cart Frame	55-09-319		
20	Top Front Panel	55-09-318		
21	Top Right Cart Frame	55-09-320		
22	LP Gas Tank Heat Plate A	55-09-448		
23	LP Gas Tank Heat Plate B	55-09-449		
24	Rear Panel	55-09-315		
25	Cart Frame Support Wire A	55-09-450		
26	Condiment Holder	55-09-297		
27	Lighting Rod	55-07-331		
28	LP Gas Tank Retainer Wire	55-09-312		
29	Leg Connector (4)*	55-09-306		
30	Lower Front Panel	55-09-309		
31	Lower Left Cart Frame	55-09-310		
32	Cart Frame Support Wire B (2)	55-09-296		
33	Lower Right Cart Frame	55-09-311		
34	Hub Cap (2)	55-09-304		
35	Wheel (2)	55-09-322		
36	Axle	55-09-323		

* Pre assembled

Hardware			
A	Screw	ST4.8x10 Nickel Plated Phillips Head	4 pcs
B	Screw	M6x14 Nickel Plated Phillips Truss Head	42 pcs
C	Nut	M5 Zinc Plated	2 pcs
D	Nut	M8 Zinc Plated	2 pcs
E	Wing Nut	M6 Steel	7 pcs
F	Washer	ø6.4 Nickel Plated	10 pcs
G	Washer	ø6.4 Heat Resistant	6 pcs
H	Lock Washer	ø6.4 Nickel Plated	10 pcs

Tools Required for Assembly (Included)	
#2 Phillips Head Screwdriver	1 pc
M5 - M8 Wrench	2 pcs

Assembly Instructions

1 DO NOT RETURN PRODUCT TO STORE.

For assistance call **1.800.762.1142** toll free. Please have your owner's manual and serial number available for reference.

Note: The serial number can be found on the back of the cart assembly.

For Easiest Assembly:

- To avoid losing any small components or hardware, assemble your product on a hard level surface that does not have cracks or openings.
- Clear an area large enough to layout all components and hardware.
- When applicable, tighten all hardware connections by hand first. Once the step is completed go back and fully tighten all hardware.
- Follow all steps in order to properly assemble your product.

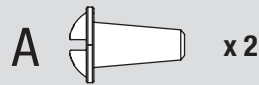
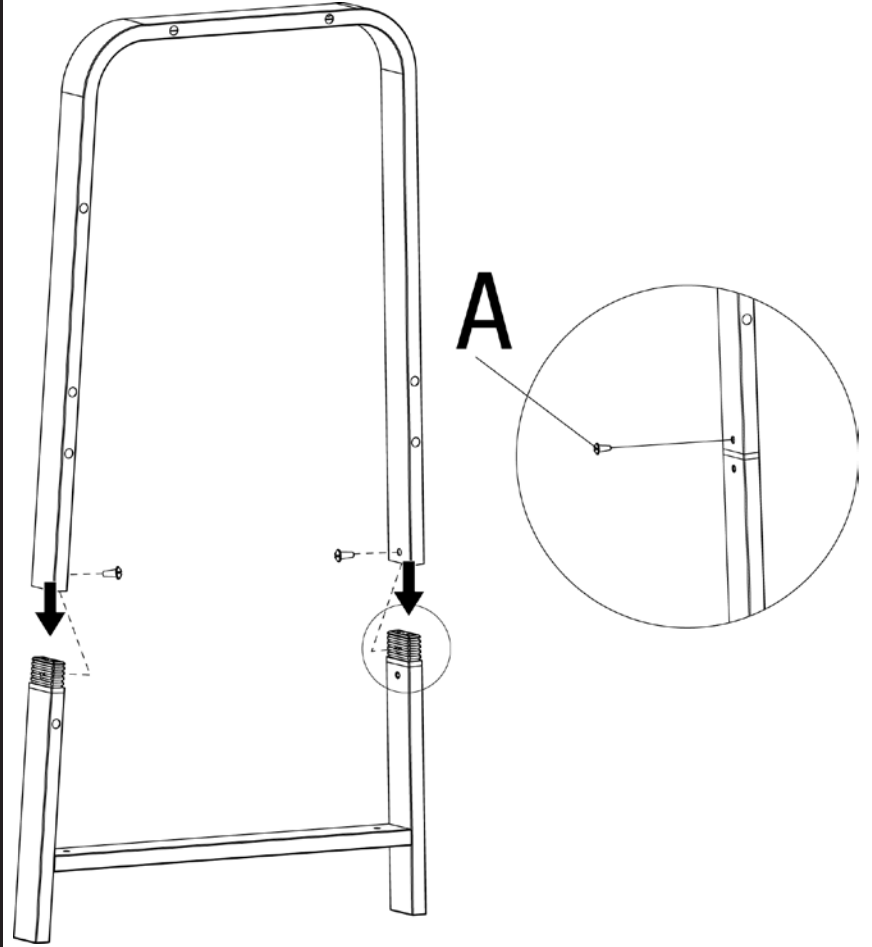
To complete assembly you will need:

- (1) Leak Detection Solution (Instructions on how to make solution are included in the "Operating Instructions" section of this manual)
- (1) Precision Filled LP Gas Grill Tank with Acme Type 1 external threaded valve connection (4-5 gallon size)

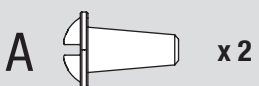
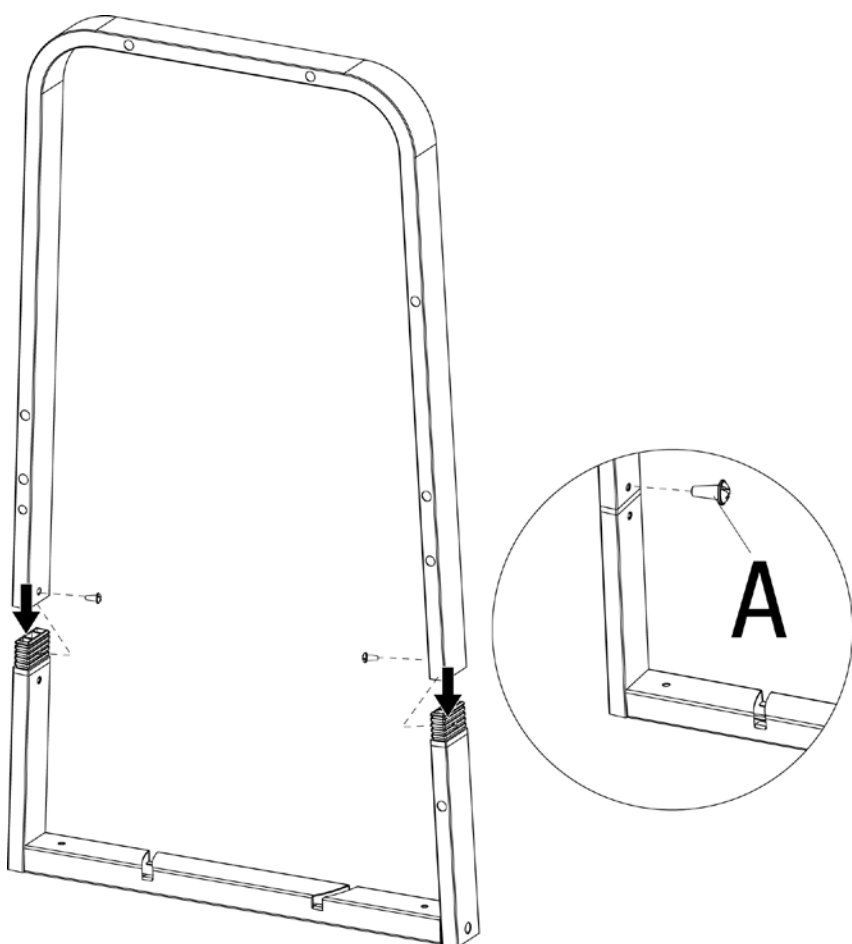
Note: You must follow all steps to properly assemble the grill.

Typical assembly: approximately 1 (one) hour.

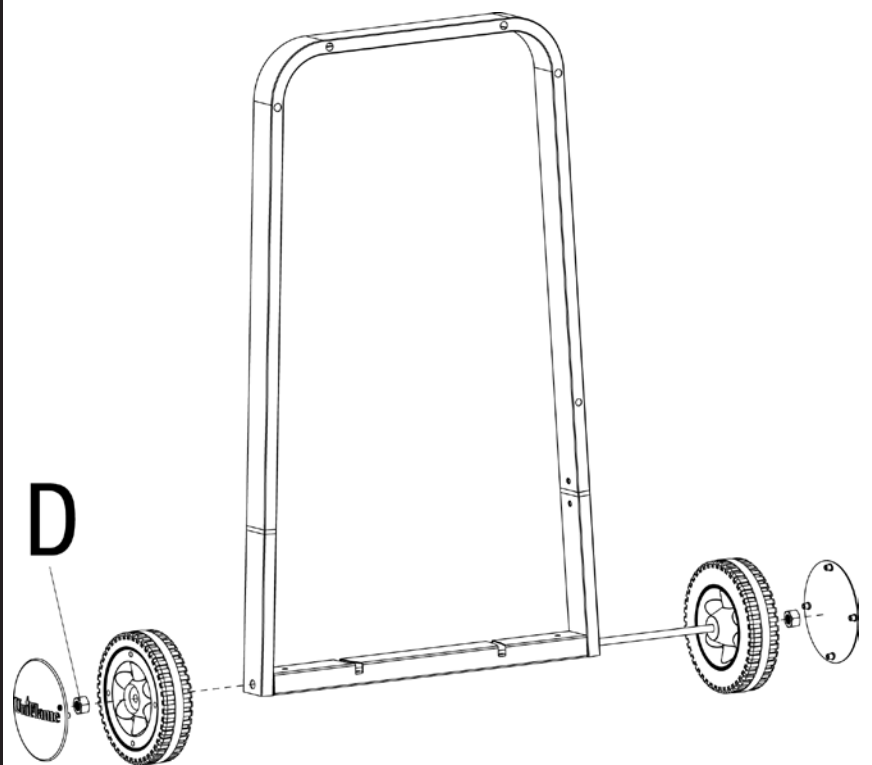
2 Assemble Left Cart Frame



3 Assemble Right Cart Frame

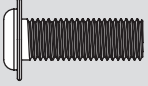


4 Attach Axle, Wheels and Hub Caps




Contact 1.800.762.1142 for assistance. Do not return to place of purchase.

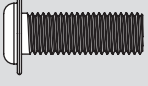
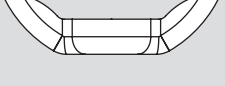
5 Attach Front Panels and Rear Panel

B  x 12

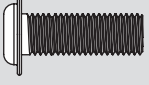

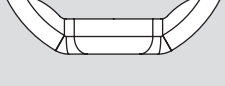


6 Attach Cart Frame Support Wires

C  x 2

7 Attach LP Gas Tank Retainer Wire

B  x 2 **E**  x 1

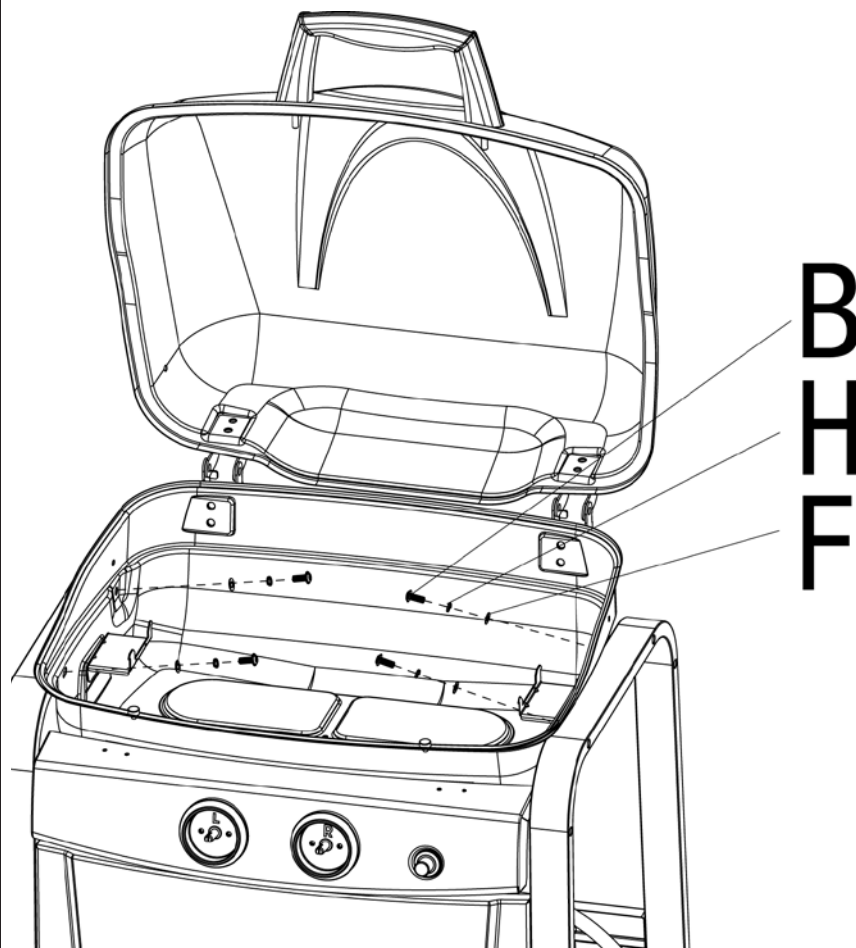
8 Attach Lid Handle and Heat Plate Supports

B  x 4 **F**  x 6
E  x 6 **G**  x 6
H  x 6

Assembly Instructions (continued)

9

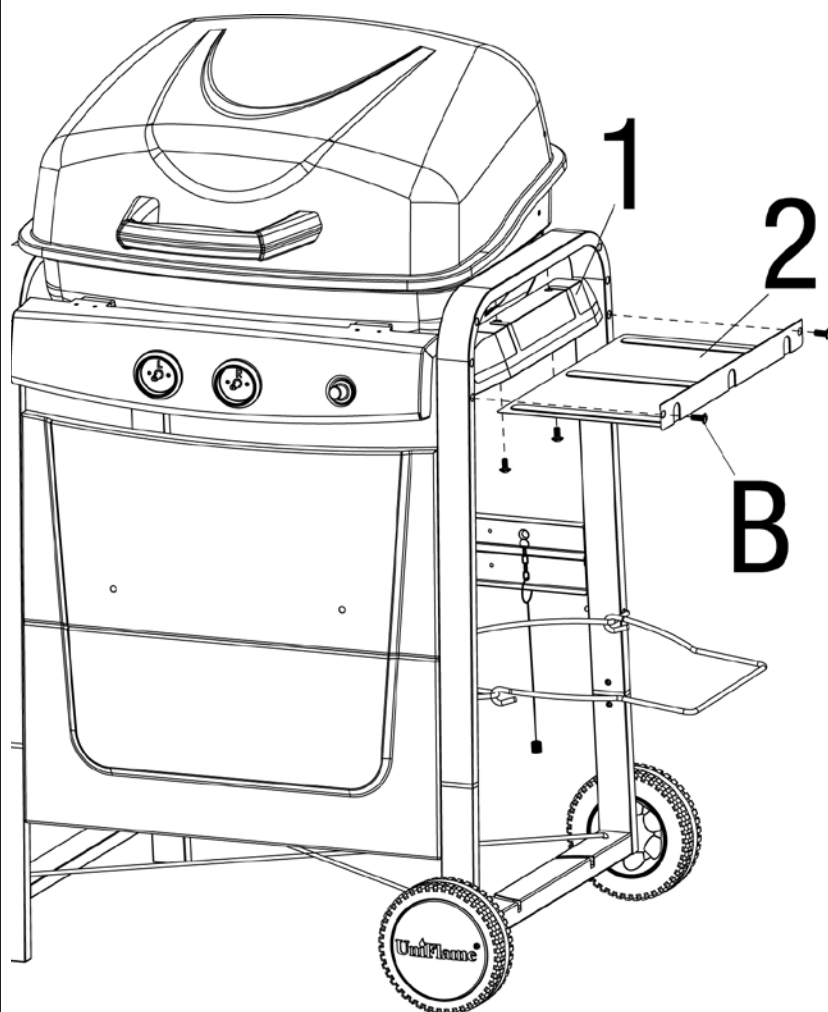
Secure Grill Body Assembly



- B x 4 H x 4
- F x 4

10

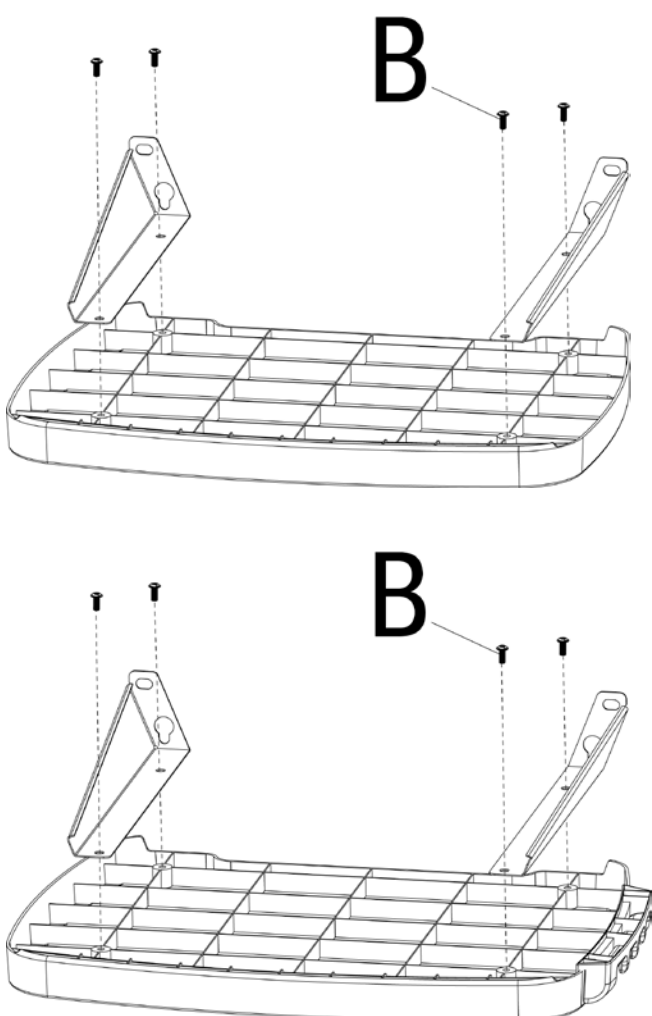
Attach LP Gas Tank Heat Plates



- B x 4

11

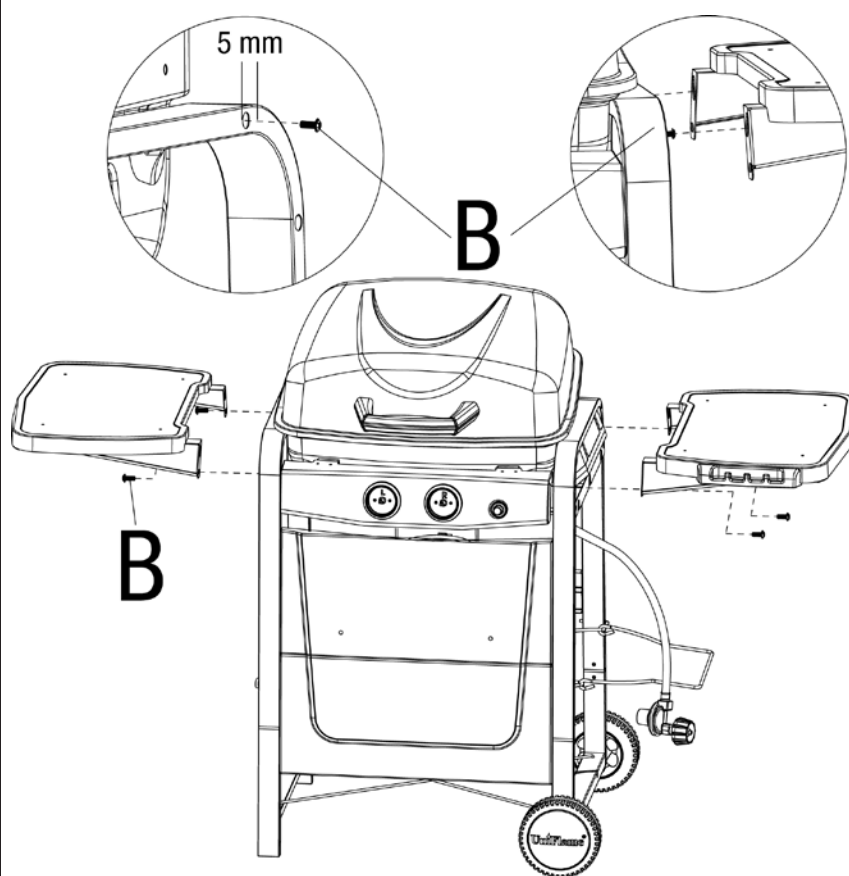
Attach Side Shelf Supports



- B x 8

12

Attach Side Shelves

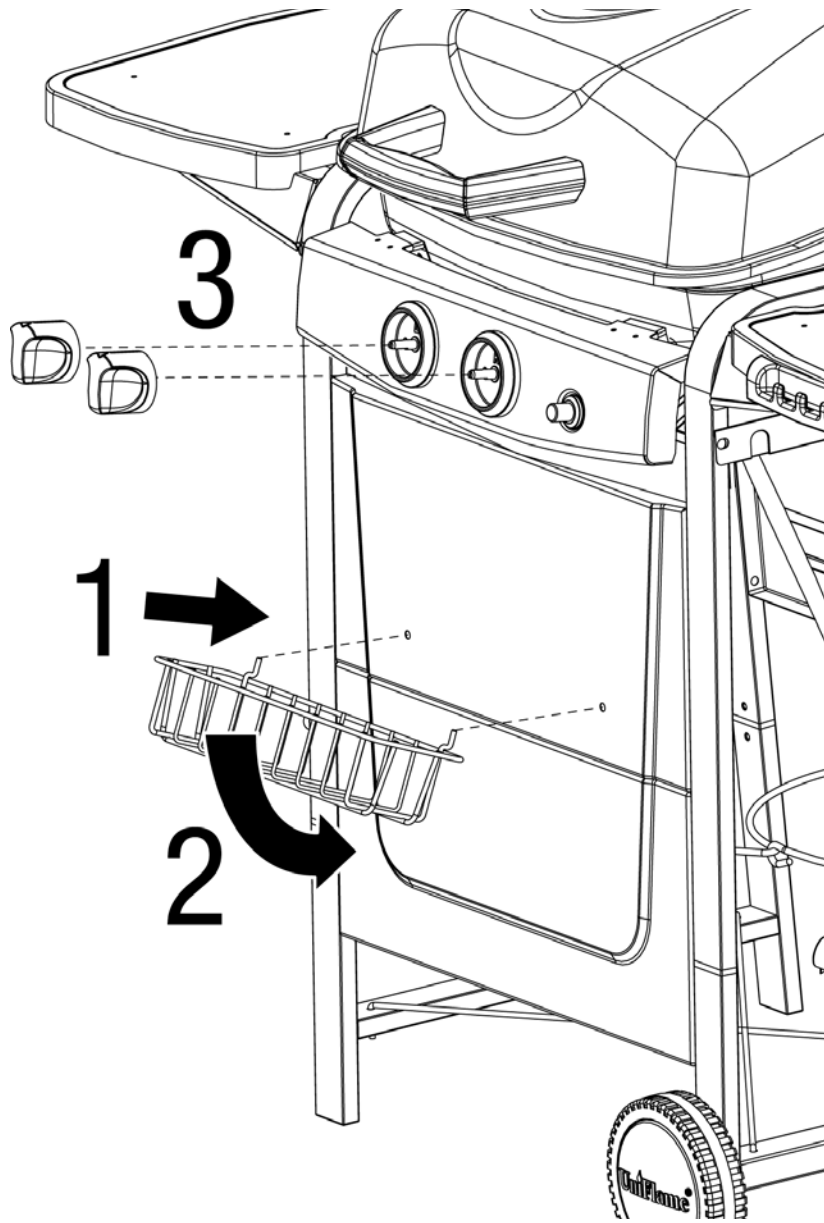


- B x 8

Contact 1.800.762.1142 for assistance. Do not return to place of purchase.

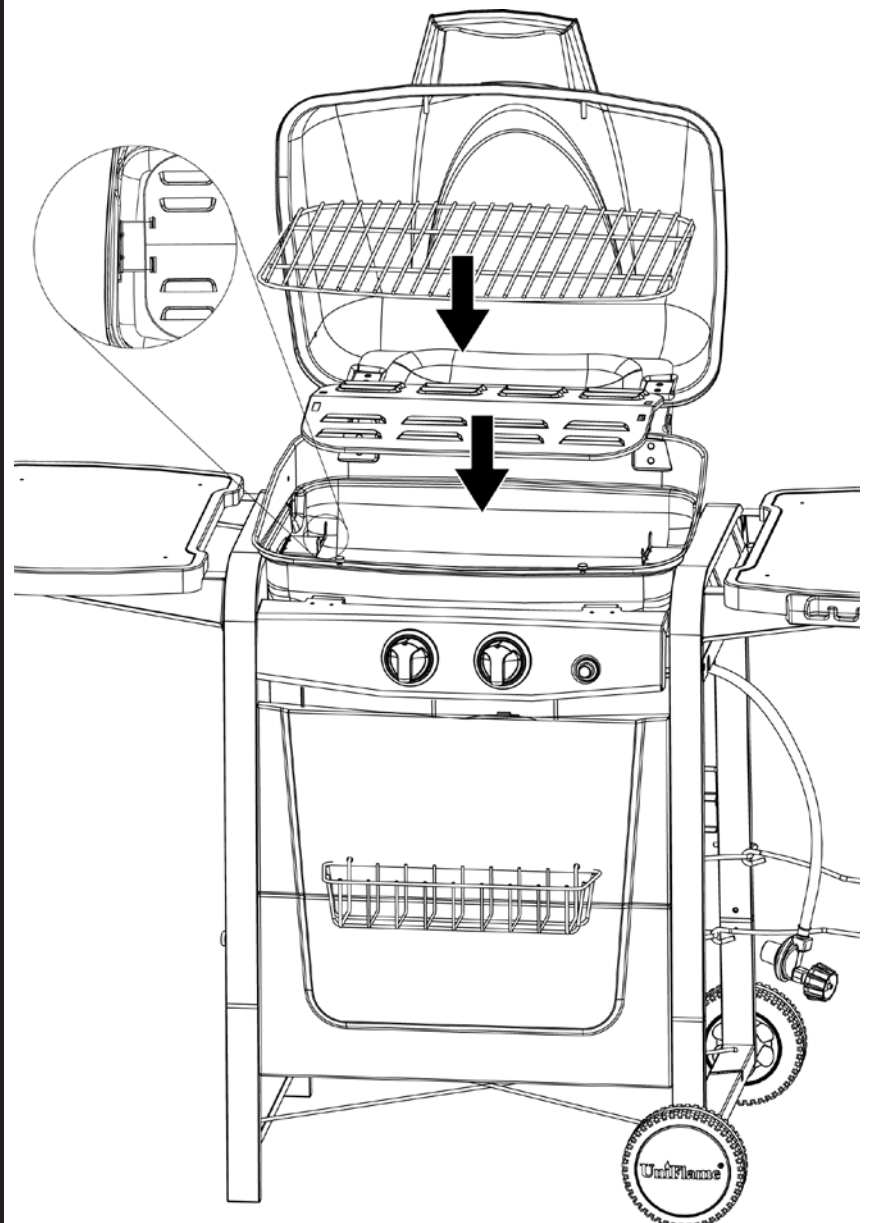
13

Attach Condiment Holder and Control Knobs



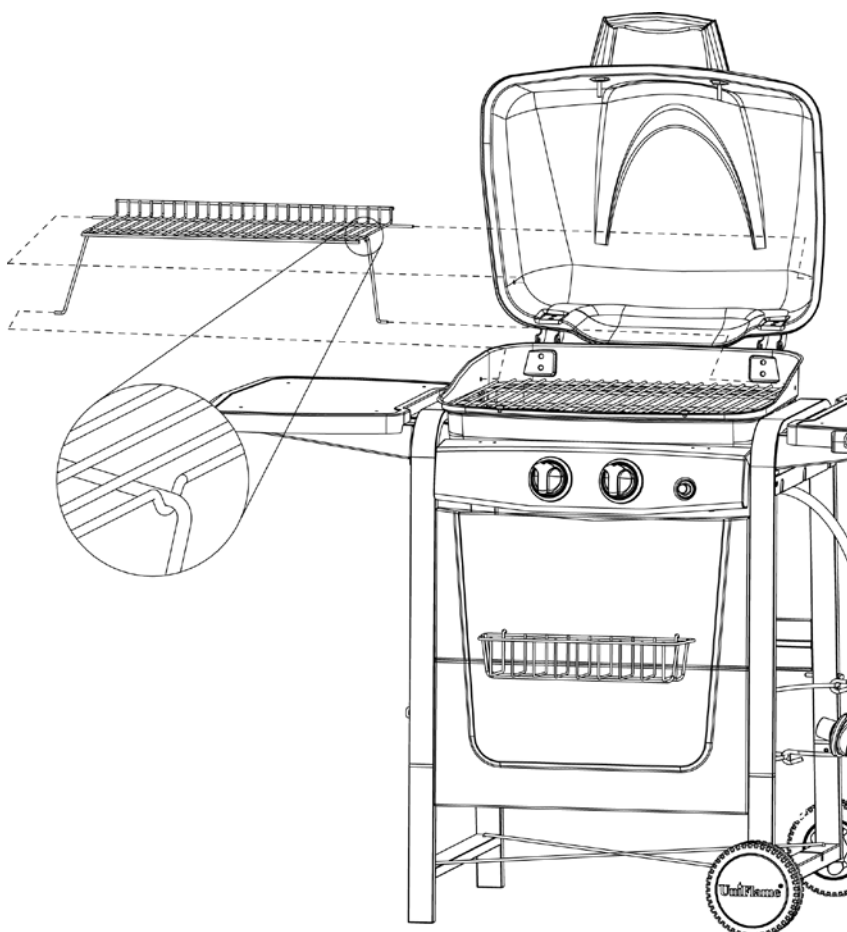
14

Insert Heat Plate and Cooking Grid



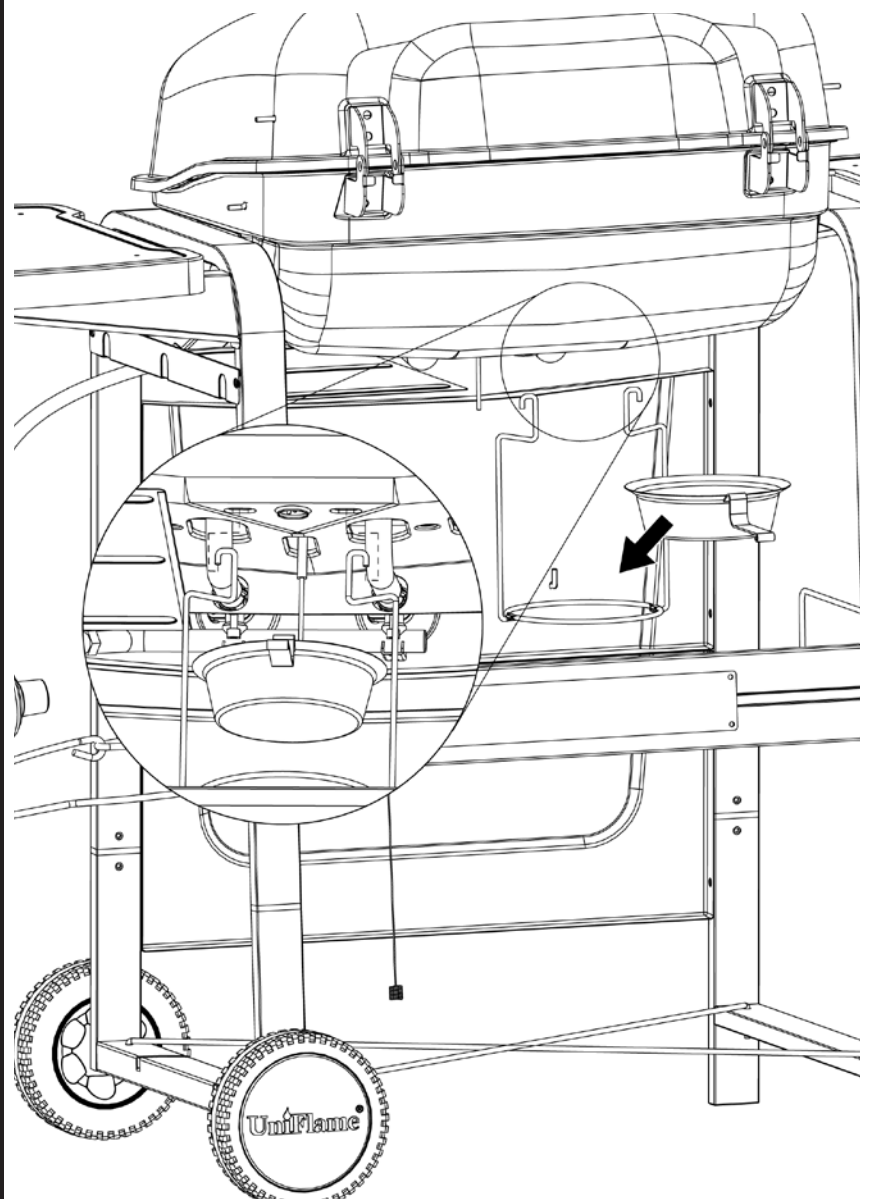
15

Insert Warming Rack



16

Attach Grease Cup and Grease Cup Support



Installing LP Gas Tank

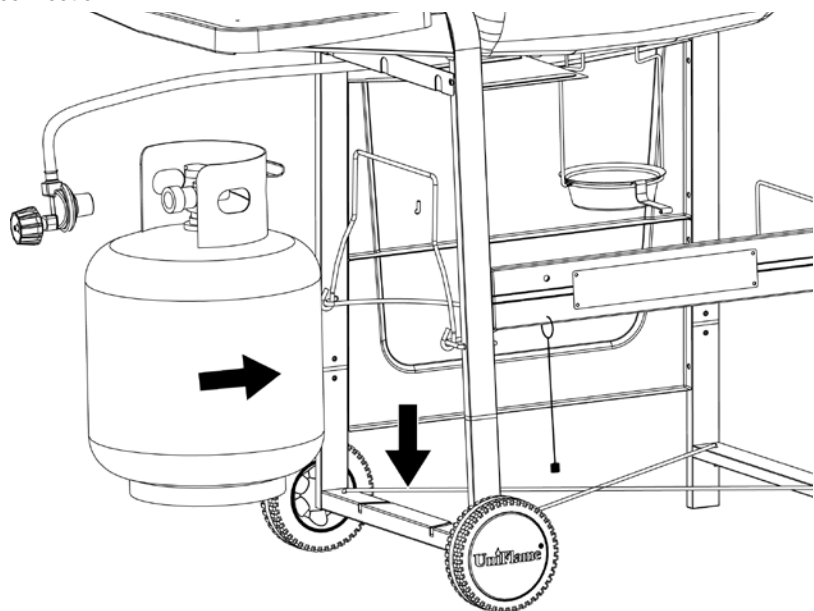
To operate you will need (1) precision-filled standard grill LP gas tank (20#) with external valve threads.

Note: An empty standard grill LP gas tank weighs approximately 18 lbs. A precision-filled standard grill LP gas tank should weigh no more than 38 lbs.



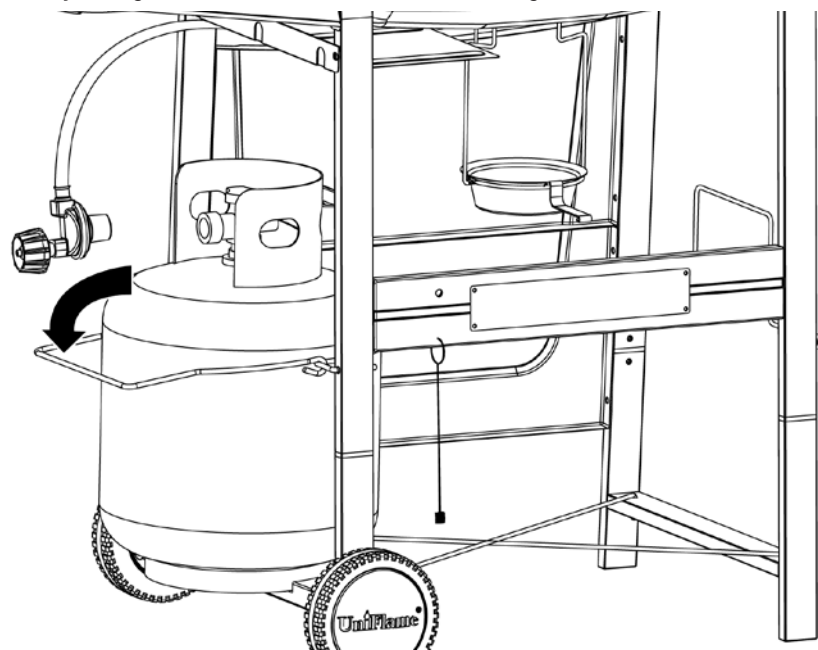
Insert LP Gas Tank

Place precision filled LP gas tank upright into hole in grill body so the tank valve is facing the gas line connection.



Secure LP Gas Tank

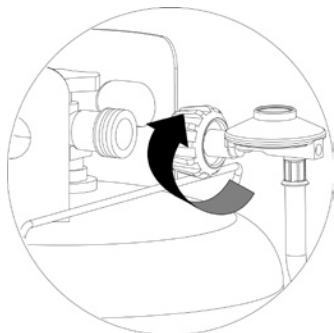
Secure tank by sliding tank retainer wire over shoulder of LP gas tank.



Connect LP Gas Tank

Before connecting, be sure that there is no debris caught in the head of the LP gas tank, head of the regulator valve or in the head of the burner and burner ports.

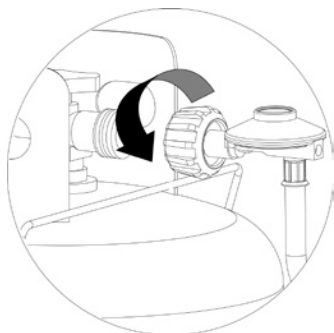
Connect gas line to tank by turning knob clockwise until it stops.



Disconnect LP Gas Tank

Before disconnecting make sure the LP gas tank valve is "CLOSED".

Disconnect gas line from LP gas tank by turning knob counterclockwise until it is loose.



Need a tank of gas? Try tank exchange service. It's easy, fast, safe, and available at tens of thousands of conveniently located retail outlets nationwide. You can purchase a new full tank or exchange your empty for a precision filled one.

Operating Instructions

Checking for Leaks

Burner Connections

1. Make sure the regulator valve and hose connections are securely fastened to the burner and the tank.

If your unit was assembled for you, visually check the connection between the burner venturi pipe and orifice. Make sure the burner venturi pipe fits over the orifice.

⚠ WARNING: Failure to inspect this connection or follow these instructions could cause a fire or an explosion which can cause death, serious bodily injury, or damage to property.

2. Please refer to diagram for proper installation. (Figure 1)

3. If the burner pipe does not rest flush to the orifice, please contact 1.800.762.1142 for assistance.

Tank/Gas Line Connection

1. Make 2-3 oz. of leak solution by mixing one part liquid dishwashing soap with three parts water.

2. Make sure control knobs are "OFF". (Figure 2)

3. Turn LP gas tank valve to "OPEN".

4. Spoon leak check solution at all "X" locations (Figure 3)

a. If any bubbles appear turn LP gas tank valve to "CLOSED", reconnect and re-test.

b. If you continue to see bubbles after several attempts, turn LP gas tank valve to "CLOSED" and disconnect LP gas tank and contact 1.800.762.1142 for assistance.

c. If no bubbles appear after one minute turn LP gas tank valve to "CLOSED", wipe away solution and proceed.

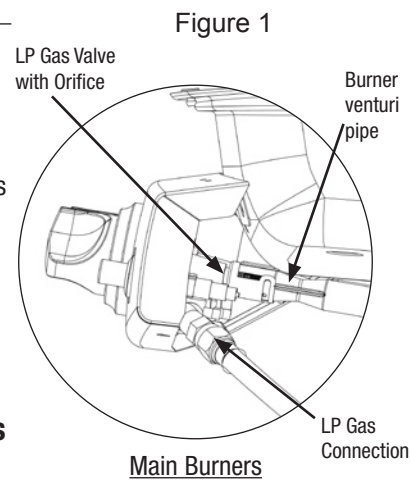


Figure 1

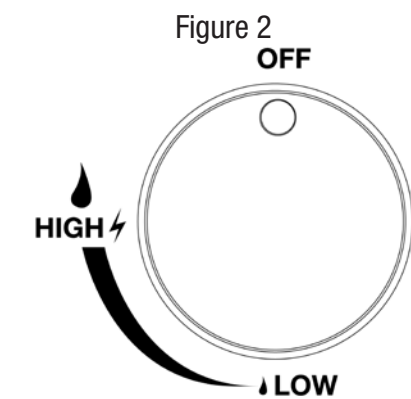


Figure 2
OFF

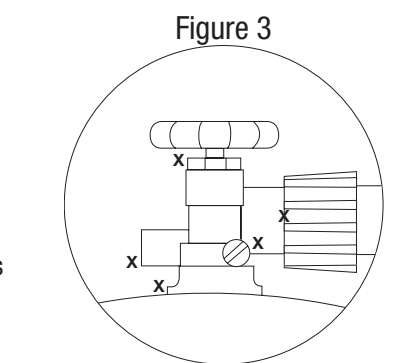


Figure 3

Operating Main Burners

First Use

1. Make sure all labels, packaging and protective films have been removed from the grill.

2. Remove manufacturing oils before cooking on this grill for the first time by operating the grill for at least 15 minutes on "HIGH" with the lid closed. This will "heat clean" the internal parts and dissipate odors.

Lighting

1. Open lid. **Attempting to light the burner with the lid closed may cause an explosion!**

2. Make sure there are no obstructions of airflow to the burners. Spiders and insects can nest within and clog the burner / venturi tube at the orifice. A clogged burner tube can lead to a fire beneath the appliance.

3. All control knobs must be in the "OFF" position. (Figure 2)

4. Turn LP gas tank valve to "OPEN".

5. Select burner to light. Push and turn control knob counterclockwise to "HIGH".

6. Press the electronic igniter button and hold for 5 seconds to light burner.

7. If ignition does not occur in 5 seconds, turn burner control knob "OFF", wait 5 minutes, and repeat lighting procedure.

8. If igniter does not light burner, use a lit match secured with the lighting rod provided to light burners manually. Access the burners through the cooking grid and heat plates. Position the lit match near side of the burner. (Figure 4)

Important: Always use the lighting rod provided when lighting burners with a match.

9. After lighting, observe the burner flame, make sure all burner ports are lit and flame height matches illustration. (Figure 5)

Note: Each burner lights independently - repeat steps 5-9 for the other burners.

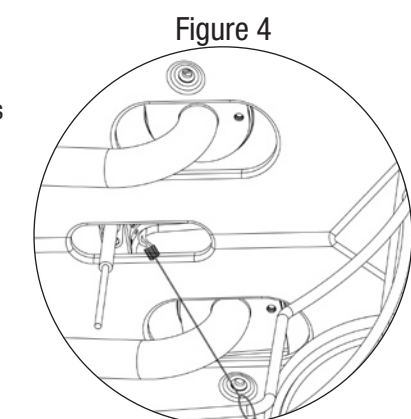


Figure 4

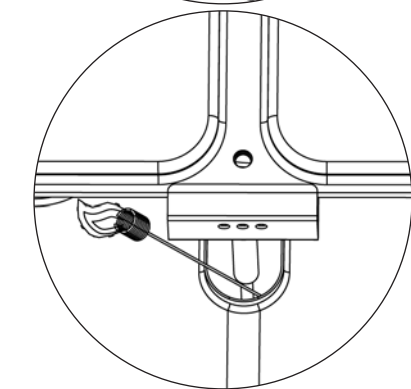
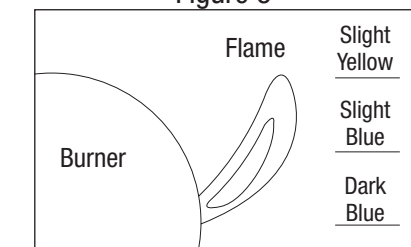


Figure 5



Contact 1.800.762.1142 for assistance. Do not return to place of purchase.

⚠ Caution: If burner flame goes out during operation, immediately turn the gas "OFF" and open lid to let the gas clear for about 5 minutes before re-lighting.

Turning Off

1. Turn LP gas tank valve to "CLOSED".
2. Turn all control knobs clockwise to the "OFF" position.

Direct Cooking

Cooking directly over hot burners. Ideal for searing in juices and grilling food requiring less than 25 minutes of grilling time, such as steaks, hamburgers, hot dogs, chicken parts, vegetables and fruit.

1. Open lid and ignite the desired burner(s) per lighting instructions in owner's manual.
2. Close lid and preheat grill on "HIGH".
3. Wear protective gloves and use long handle tongs to place food onto cooking grids above the lit burners.
4. Adjust controls to desired flame height.
5. With lid open or closed, cook until desired internal food temperatures are achieved.
6. Turn grill OFF by turning the LP gas tank valve to "CLOSED". Burn off remaining gas in lines by waiting 15 seconds then turn all burner controls to the "OFF" position. A "poof" sound is normal as the last of the LP gas is burned.

Indirect Cooking

Not cooking directly over hot burners. Ideal for slow cooking and foods requiring more than 25 minutes such as most roasts, loins, chops, whole chickens, turkey, fish and baked goods.

1. Open lid and ignite the desired burner(s) per lighting instructions in owner's manual.
2. Close lid and preheat grill on "HIGH".
3. Wear protective gloves and use long handle tongs to place food onto cooking grids above the un-lit burners.
4. Adjust controls to desired flame height.
5. With lid closed, cook until desired internal food temperatures are achieved.
6. Turn grill OFF by turning the LP gas tank valve to "CLOSED". Burn off remaining gas in lines by waiting 15 seconds then turn all burner controls to the "OFF" position. A "poof" sound is normal as the last of the LP gas is burned.

For more tips on indirect cooking please see "Tips for Better Cookouts and Longer Grill Life"

Tips for Better Cookouts and Longer Grill Life

1. For food safety tips visit: http://www.fsis.usda.gov/Fact_Sheets/Barbecue_Food_Safety/
2. Use the upper cooking grid (warming rack) for keeping cooked food warm, toasting breads or cooking delicate foods in aluminum foil pouches.
3. Use the side burner of this appliance like a normal kitchen range for boiling, sautéing or frying.
4. To keep food from sticking to the grids, spray or coat with cooking oil before lighting.
5. To reduce flare-up keep grill clean, use lean cuts of meat (or trim fat) and avoid cooking on very high temperatures.
6. Place delicate foods like fish and vegetables in aluminum foil pouches and indirect cook or place on upper cooking levels (warming rack).
7. **⚠ WARNING: Never cover entire cooking area with aluminum foil.**
8. To avoid losing natural juices, use long handled tongs or spatulas instead of forks and turn foods over just once during cooking.
9. When direct cooking adjust your burners to different levels so foods can be prepared to different internal temperatures in the same time frame.
10. When indirect cooking roasts and larger cuts of meat, place meat onto a roasting rack inside a heavy gauge metal pan. Place pan over the un-lit burners.
11. Try water pans to reduce flare-ups and cook juicer meats. Before starting grill remove cooking grids and place a heavy duty shallow pan directly on heat plates. Fill half way with water, fruit juices or other flavored liquids. Replace cooking grids and position food over the loaded pan.
12. Enhance food flavors by using wood chips in smoker boxes or aluminum foil pouches. Follow the wood manufacturer's instructions.
13. Rotisseries, grill baskets, vertical poultry holders and other accessories can enhance your experiences, reduce cooking times and aid in clean-up.
14. Clean cooking grids and racks after every use with a quality grill brush designed for your grid material. Wear protective gloves and gently remove the build-up while grids are hot.
15. After every use, allow grill to cool. Then protect clean cooking grids with a light coat of cooking oil, empty grease pan, wipe outside surfaces with a suitable kitchen cleaner and protect surfaces with a quality cover that properly fits your grill.

16. Visit websites like www.bluerhino.com, watch barbecue themed TV shows or purchase related barbecue cookbooks to learn more interesting tips like –
A gas grill is ideal for reheating leftover pizza. Set burners on low and place pizza slices directly on preheated cooking grid. Close lid and cook until cheese starts to bubble.

Cleaning and Care

⚠ CAUTION:

1. All cleaning and maintenance should be done when grill is cool and with the fuel supply disconnected.
2. DO NOT clean any grill part in a self cleaning oven. The extreme heat will damage the finish.

Notices

1. This grill should be thoroughly cleaned and inspected on a regular basis.
2. Abrasive cleaners will damage this product.
3. Never use oven cleaner to clean any part of grill.
4. Do not clean any grill part in a self cleaning oven. The extreme heat will damage the finish.

Before Each Use:

1. Keep the grill area clean and free from any combustible materials, gasoline, and other flammable vapors and liquids.
2. Do not obstruct the flow of the combustion of LP and the ventilation air.
3. Keep the ventilation opening(s) of the LP gas tank area free and clear from debris.
4. Visually check the burner flames to make sure your grill is working properly.
5. See sections below for proper cleaning instructions.
6. Check and clean the burner/venturi tubes for insects and insect nests. A clogged tube can lead to a fire beneath the grill.

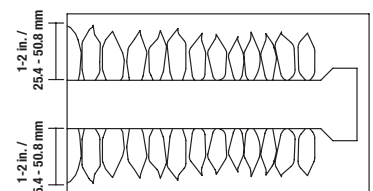
Cleaning Surfaces

1. Wipe surfaces clean with mild dishwashing detergent or baking soda mixed with water.
2. For stubborn surfaces use a citrus based degreaser and a nylon scrubbing brush.
3. Rinse clean with water.
4. Allow to air dry.

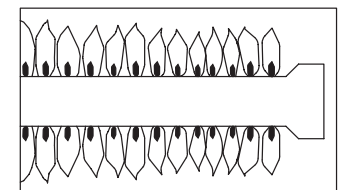
Cleaning Main Burner

1. Turn gas "OFF" at the control knobs and LP gas tank valve to "CLOSED".
2. Remove cooking grid and heat plates.
3. Remove burner by removing the fasteners securing the burner to the grill bottom.
4. Lift burner up and away from gas valve orifice.
5. Disconnect wire from spark electrode.
6. Clean inlet (venturi) of burner with small bottle brush or compressed air.
7. Remove all food residue and dirt on burner surface.
8. Clean any clogged ports with a stiff wire (such as an opened paper clip)
9. Inspect burner for any damage (cracks or holes). If damage is found, replace with new burner.
10. Reinstall burner, check to insure that gas valve orifice is correctly positioned inside burner inlet (venturi). Also check position of spark electrode.
11. Replace heat plate and cooking grid.
12. Perform leak test.

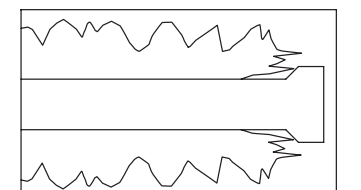
Figure 6
Burner Flame Conditions
Use this chart to see if your burners need to be cleaned.



Normal: Soft blue flames with yellow tips between 1 in. - 2 in. high.



Needs Cleaning: Noisy with hard blue flames.



Has to be cleaned: Wavy with yellow flames.



Product Registration

For faster warranty service, please register your product immediately at www.bluerhino.com or call 1.800.762.1142.

Limited Warranty

Blue Rhino Global Sourcing, Inc (“Vendor”) warrants to the original retail purchaser of this product, and to no other person, that if this product is assembled and operated in accordance with the printed instructions accompanying it, then for a period of one (1) year from the date of purchase, all parts in such product shall be free from defects in material and workmanship. Vendor may require reasonable proof of your date of purchase. Therefore, you should retain your sales slip or invoice. This Limited Warranty shall be limited to the repair or replacement of parts, which prove defective under normal use and service and which Vendor shall determine in its reasonable discretion upon examination to be defective. Before returning any parts, you should contact Vendor’s Customer Service Department using the contact information listed below. If Vendor confirms, after examination, a defect covered by this Limited Warranty in any returned part, and if Vendor approves the claim, Vendor will replace such defective part without charge. If you return defective parts, transportation charges must be prepaid by you. Vendor will return replacement parts to the original retail purchaser, freight or postage prepaid.

This Limited Warranty does not cover any failures or operating difficulties due to accident, abuse, misuse, alteration, misapplication, improper installation or improper maintenance or service by you or any third party, or failure to perform normal and routine maintenance on the product as set out in this owner’s manual. In addition, the Limited Warranty does not cover damage to the finish, such as scratches, dents, discoloration, rust or other weather damage, after purchase.

This Limited Warranty is in lieu of all other express warranties. Vendor disclaims all warranties for products that are purchased from sellers other than authorized retailers or distributors, including the warranty of merchantability or the warranty of fitness for a particular purpose. **VENDOR ALSO DISCLAIMS AND ANY ALL IMPLIED WARRANTIES, INCLUDING WITHOUT LIMITATION THE IMPLIED WARRANTIES OF MERCHANTABILITY AND FITNESS FOR A PARTICULAR PURPOSE. VENDOR SHALL NO LIABILITY TO PURCHASER OR ANY THIRD PARTY FOR ANY SPECIAL, INDIRECT, PUNITIVE, INCIDENTAL, OR CONSEQUENTIAL DAMAGES.** Vendor further disclaims any implied or express warranty of, and assumes no responsibility for, defects in workmanship caused by third parties.

This Limited Warranty gives the purchaser specific legal rights; a purchaser may have other rights depending upon where he or she lives. Some jurisdictions do not allow the exclusion or limitation of special, incidental or consequential damages, or limitations on how long a warranty lasts, so the above exclusion and limitations may not apply to everyone.

Vendor does not authorize any person or company to assume for it any other obligation or liability in connection with the sale, installation, use, removal, return, or replacement of its equipment, and no such representations are binding on Vendor.

Blue Rhino Global Sourcing, Inc
Winston-Salem, North Carolina 27105 USA
1.800.762.1142

Contact 1.800.762.1142 for assistance. Do not return to place of purchase.

Troubleshooting

Problem	Possible Cause	Prevention/Cure
Burner will not light using ignitor	Battery needs to be changed.	Replace the AA battery. (Follow assembly step for inserting battery.)
	Wires or electrode covered with cooking residue.	Clean wire and/or electrode with rubbing alcohol.
	Electrode and burners are wet.	Wipe dry with cloth.
	Electrode cracked or broken - sparks at crack.	Replace electrode.
	Wire loose or disconnected.	Reconnect wire or replace electrode/wire assembly.
	Wire is shorting (sparking) between ignitor and electrode.	Replace ignitor wire/electrode assembly.
	Bad ignitor.	Replace ignitor.
Burner will not light with match	No gas flow.	Check if LP gas tank is empty. If empty, replace or refill. If LP gas tank is not empty, refer to "Sudden drop in gas flow or reduced flame height".
	Coupling nut and regulator not fully connected.	Turning the coupling nut about one-half to three quarters additional turn until solid stop. Tighten by hand only-do not use tools.
	Obstruction of gas flow.	Clear burner tubes. Check for bent or kinked hose.
	Disengagement of burner to valve.	Reengage burner and valve.
	Spider webs or insect nest in venturi.	Clean venturi.
	Burner ports clogged or blocked.	Clean burner ports.
Sudden drop in gas flow or reduced flame height	Out of gas.	Replace or refill LP gas tank.
	Excess flow; safety device may have been activated.	Turn control knobs to "OFF". Wait 30 seconds and light grill. If flames are still too low, reset the excessive flow safety device by turning control knobs "OFF" and LP gas tank valve to "CLOSED". Disconnect regulator. Turn control knobs to "HIGH". Wait 1 minute. Turn control knobs to "OFF". Reconnect regulator and leak check connections. Slowly turn LP gas tank valve to "OPEN". Wait 30 seconds and then light grill per lighting instructions.
Irregular flame pattern, flame does not run the full length of burner.	Burner ports are clogged or blocked.	Clean burner ports.
Flame is yellow or orange.	New burner may have residual manufacturing oils.	Burn grill for 15 minutes with the lid closed
	Spider webs or insect nest in venturi	Clean venturi.
	Food residue, grease or seasoning salt on burner.	Clean burner.
	Poor alignment of valve to burner venturi.	Assure burner venturi is properly engaged with valve.
Flame blow out	High or gusting winds.	Do not use grill in high winds.
	Low on LP Gas.	Replace or refill LP gas tank.
	Excess flow valve tripped.	Refer to "Sudden drop in gas flow or reduced flame height".
Flare-up	Grease buildup.	Clean grill.
	Excess fat in meat.	Trim fat from meat before grilling.
	Excessive cooking temperature.	Adjust (lower) temperature accordingly.
Persistent grease fire.	Grease trapped by food buildup around burner system.	Turn control knobs to "OFF". Turn LP gas tank valve to "CLOSED". Leave lid in closed position and let fire burn out. After grill cools, remove and clean all parts.
Flashback (fire in burner tube(s)).	Burner and/or burner tubes are blocked.	Clean burner and/or burner tubes.
Inside of lid is peeling (like paint peeling).	The lid is stainless steel, not painted.	Baked on grease buildup has turned to carbon and is flaking off. Clean thoroughly.

For more assistance please visit us online at www.bluerhino.com or call 1.800.762.1142.





Problème		Cause possible	Prévention/mesure corrective
<p>Le brûleur ne s'allume pas en utilisant l'allumeur électrique.</p> <p>La pile doit être changée.</p> <p>Remplacez la pile AA (voir l'étape d'installation de la pile dans les instructions d'assemblage).</p> <p>Nettoyez le fil conducteur et/ou l'électrode avec de l'alcool isopropylique.</p> <p>Essuyez avec un chiffon.</p> <p>L'électrode est fendue ou brisée, des étincelles apparaissent au niveau de la fente.</p> <p>Le fil est desserré ou déconnecté.</p> <p>Reconnectez le conducteur ou remplacez l'ensemble électrode-fil conducteur.</p> <p>Remplacez l'ensemble électrode-fil conducteur.</p> <p>Court-circuit (étincelles) du fil conducteur entre l'allumeur et l'électrode.</p> <p>Allumeur défectueux.</p> <p>Remplacez l'allumeur.</p>		<p>Vérifiez si la bouteille de propane est vide. Si la bouteille n'est pas vide, reportez-vous à "Baisse soudaine du débit du propane" (hauteur réduite de flamme). Si elle est vide, remplacez-la ou remplissez-la.</p> <p>L'écrou de couplage et le régulateur ne sont pas complètement raccordés.</p> <p>Nettoyez les tubes des brûleurs. Assurez-vous que le tuyau n'est pas plié ou déformé.</p> <p>Le brûleur n'est plus raccordé à la soupape.</p> <p>Araignées ou insectes dans le venturi.</p> <p>Nettoyez le venturi.</p> <p>Les orifices du brûleur sont bloqués.</p> <p>Il n'y a plus de propane.</p> <p>Remplacez ou remplissez la bouteille de propane.</p> <p>Tournez les boutons de commande jusqu'à « OFF » (arrêt), attendez 30 secondes puis allumez le barbecue. Si les flammes demeurent trop basses, réarmez le dispositif de sécurité de limitation de débit en réglant les boutons sur « OFF » (arrêt) et en fermant le gaz en tournant le robinet de la bouteille de propane sur «CLOSED» (fermé). Débranchez le régulateur. Tournez les boutons de commande du brûleur sur « HIGH » (max). Attendez 1 minute. Tournez les boutons de commande du brûleur sur « OFF » (arrêt). Rébranchez le régulateur et assurez-vous que le raccord ne présente pas de fuite. Ouvrez le robinet de gaz de la bouteille de propane en le tournant lentement sur « OPEN » (ouvert), attendez 30 secondes puis allumez le barbecue en suivant les instructions d'allumage.</p> <p>Nettoyez les orifices du brûleur.</p>	
<p>Le brûleur ne s'allume pas avec une allumette</p> <p>Absence de propane.</p> <p>Vérifiez si la bouteille de propane est vide. Si la bouteille n'est pas vide, reportez-vous à "Baisse soudaine du débit du propane" (hauteur réduite de flamme). Si elle est vide, remplacez-la ou remplissez-la.</p> <p>L'écrou de couplage et le régulateur ne sont pas complètement raccordés.</p> <p>Nettoyez les tubes des brûleurs. Assurez-vous que le tuyau n'est pas plié ou déformé.</p> <p>Le brûleur n'est plus raccordé à la soupape.</p> <p>Obstruction du débit de propane.</p> <p>Nettoyez les tubes des brûleurs. Assurez-vous que le tuyau n'est pas plié ou déformé.</p> <p>Raccordez à nouveau le brûleur et la soupape.</p> <p>Araignées ou insectes dans le venturi.</p> <p>Nettoyez le venturi.</p> <p>Les orifices du brûleur sont bloqués.</p> <p>Il n'y a plus de propane.</p> <p>Baisse soudaine du débit de propane ou hauteur réduite de flamme.</p> <p>Débit excessif; le dispositif de sécurité de limitation de débit a peut-être été déclenché.</p> <p>Tournez les boutons de commande jusqu'à « OFF » (arrêt), attendez 30 secondes puis allumez le barbecue. Si les flammes demeurent trop basses, réarmez le dispositif de sécurité de limitation de débit en réglant les boutons sur « OFF » (arrêt) et en fermant le gaz en tournant le robinet de la bouteille de propane sur «CLOSED» (fermé). Débranchez le régulateur. Tournez les boutons de commande du brûleur sur « HIGH » (max). Attendez 1 minute. Tournez les boutons de commande du brûleur sur « OFF » (arrêt). Rébranchez le régulateur et assurez-vous que le raccord ne présente pas de fuite. Ouvrez le robinet de gaz de la bouteille de propane en le tournant lentement sur « OPEN » (ouvert), attendez 30 secondes puis allumez le barbecue en suivant les instructions d'allumage.</p> <p>Nettoyez les orifices du brûleur.</p>		<p>Le nouveau brûleur peut contenir des huiles résiduelles de fabrication.</p> <p>Nettoyez le venturi.</p> <p>Toiles d'araignées ou nid d'insectes dans le venturi.</p> <p>Restes de nourriture, de graisse ou d'assaisonnement sur le brûleur.</p> <p>Mauvais alignement de la soupape sur le venturi du brûleur.</p> <p>Assurez-vous que le venturi du brûleur est correctement inséré dans la soupape.</p> <p>Vent fort ou bourrasques.</p> <p>Présentez l'avant du barbecue face au vent ou réglez-le sur «HIGH» afin d'augmenter la hauteur de la flamme.</p> <p>La bouteille de propane est presque vide.</p> <p>Remplacez ou remplissez la bouteille de propane.</p> <p>La soupape de limitation de débit s'est déclenchée.</p> <p>Reportez-vous à « Baisse soudaine du débit de propane ».</p> <p>Accumulation de graisse.</p> <p>Nettoyez le barbecue.</p> <p>La viande est trop grasse.</p> <p>Eliminez la graisse de la viande avant de la griller.</p> <p>La température de cuisson est trop élevée.</p> <p>Régler à la baisse la température.</p> <p>Graisse piégée par accumulation de nourriture autour des brûleurs.</p> <p>Tournez les boutons de commande sur « OFF » (arrêt). Fermez le gaz en tournant le robinet de la bouteille de propane sur «CLOSED» (fermé). Laissez le couvercle fermé et laissez le feu se consumer. Après que le barbecue ait refroidi, retirez et nettoyez toutes les pièces.</p> <p>Le brûleur et/ou ses tubes sont bouchés.</p> <p>Nettoyez le brûleur et/ou les tubes du brûleur.</p> <p>Le couvercle est en acier inoxydable sans peinture.</p> <p>L'accumulation de graisse cuite s'est transformée en carbone et s'écale. Nettoyez rigoureusement le couvercle.</p>	
<p>Flamme irrégulière, flamme ne se répartissant pas sur toute la longueur du brûleur.</p> <p>Les orifices du brûleur sont bouchés ou bloqués.</p> <p>Nettoyez les orifices du brûleur.</p>		<p>La flamme est jaune ou orange.</p> <p>Le nouveau brûleur peut contenir des huiles résiduelles de fabrication.</p> <p>Nettoyez le venturi.</p> <p>Toiles d'araignées ou nid d'insectes dans le venturi.</p> <p>Restes de nourriture, de graisse ou d'assaisonnement sur le brûleur.</p> <p>Mauvais alignement de la soupape sur le venturi du brûleur.</p> <p>Assurez-vous que le venturi du brûleur est correctement inséré dans la soupape.</p> <p>Vent fort ou bourrasques.</p> <p>Présentez l'avant du barbecue face au vent ou réglez-le sur «HIGH» afin d'augmenter la hauteur de la flamme.</p> <p>La bouteille de propane est presque vide.</p> <p>Remplacez ou remplissez la bouteille de propane.</p> <p>La soupape de limitation de débit s'est déclenchée.</p> <p>Reportez-vous à « Baisse soudaine du débit de propane ».</p> <p>Accumulation de graisse.</p> <p>Nettoyez le barbecue.</p> <p>La viande est trop grasse.</p> <p>Eliminez la graisse de la viande avant de la griller.</p> <p>La température de cuisson est trop élevée.</p> <p>Régler à la baisse la température.</p> <p>Graisse piégée par accumulation de nourriture autour des brûleurs.</p> <p>Tournez les boutons de commande sur « OFF » (arrêt). Fermez le gaz en tournant le robinet de la bouteille de propane sur «CLOSED» (fermé). Laissez le couvercle fermé et laissez le feu se consumer. Après que le barbecue ait refroidi, retirez et nettoyez toutes les pièces.</p> <p>Le brûleur et/ou ses tubes sont bouchés.</p> <p>Nettoyez le brûleur et/ou les tubes du brûleur.</p> <p>Le couvercle est en acier inoxydable sans peinture.</p> <p>L'accumulation de graisse cuite s'est transformée en carbone et s'écale. Nettoyez rigoureusement le couvercle.</p>	
<p>Le feu s'enflamme brusquement.</p> <p>Accumulation de graisse.</p> <p>Nettoyez le barbecue.</p> <p>La viande est trop grasse.</p> <p>Eliminez la graisse de la viande avant de la griller.</p> <p>La température de cuisson est trop élevée.</p>		<p>Feu de graisse persistant.</p> <p>Graisse piégée par accumulation de nourriture autour des brûleurs.</p> <p>Tournez les boutons de commande sur « OFF » (arrêt). Fermez le gaz en tournant le robinet de la bouteille de propane sur «CLOSED» (fermé). Laissez le couvercle fermé et laissez le feu se consumer. Après que le barbecue ait refroidi, retirez et nettoyez toutes les pièces.</p> <p>Nettoyez le brûleur et/ou les tubes du brûleur.</p> <p>Le brûleur et/ou ses tubes sont bouchés.</p> <p>Nettoyez le brûleur et/ou les tubes du brûleur.</p> <p>L'accumulation de graisse cuite s'est transformée en carbone et s'écale. Nettoyez rigoureusement le couvercle.</p>	
<p>Pour toute assistance, veuillez consulter notre site internet www.bluerhino.com ou appelez le 1.800.762.1142 pour une assistance immédiate.</p>			



Nettoyage et entretien (suite)

Nettoyage des surfaces du barbecue

1. Essayez les surfaces du barbecue avec un liquide à vaisselle doux ou du bicarbonate de soude.

2. Pour les tâches coriaces, utilisez un dégraissant au citron et une brosse de nettoyage en nylon.

3. Rincez à l'eau.

4. Laissez sécher à l'air libre.

Nettoyage du brûleur principal

1. Fermez le gaz en réglant les boutons de commande du barbecue sur « OFF » (Arrêt) et en tournant le robinet de la bouteille de propane sur « CLOSED » (Fermé).

2. Retirez les grilles de cuisson et les diffuseurs de chaleur.

3. Retirez le brûleur en retirant les dispositifs de fixation retenant le brûleur à la partie inférieure du barbecue.

4. Soulevez et éloignez le brûleur de l'orifice de la soupape de gaz.

5. Déconnectez le fil de l'électrode d'allumage.

6. Nettoyez l'entrée (venturi) du brûleur avec un petit goupillon ou de l'air comprimé.

7. Nettoyez les restes de nourriture et la saleté de la surface du brûleur.

8. Nettoyez les orifices bouchés avec un fil métallique (un trombone ouvert, par exemple).

9. Vérifiez le brûleur à la recherche de détériorations (fissures ou trous). En cas de détériorations, remplacez-le par un brûleur neuf.

10. Réinstallez le brûleur, vérifiez que les orifices de la soupape de gaz sont correctement positionnés à l'intérieur de l'entrée du brûleur (venturi). Vérifiez également la position de l'électrode d'allumage.

11. Remettez en place le diffuseur de chaleur et la grille de cuisson.

12. Effectuez le test d'étanchéité afin de vous assurer que le raccord ne présente pas de fuite.

Enregistrement de l'appareil

Pour bénéficier plus rapidement du service offert par la garantie, veuillez enregistrer cet article immédiatement sur le site internet www.bluerhino.com ou appelez le 1.800.762.1142.

Garantie limitée

La société Blue Rhino Global Sourcing, Inc ("le fabricant") garantit cet article au premier acheteur au détail et à aucune autre personne, contre tout vice de matériau et de fabrication pendant un (1) an à partir de la date d'achat si cet article est monté et utilisé conformément aux instructions fournies. Le fabricant vous demandera sans doute une preuve raisonnable d'achat datée, veuillez donc conserver votre facture ou votre reçu. Cette garantie limitée se limitera à la réparation ou au remplacement de pièces ayant été déterminées défectueuses par le fabricant lors de conditions d'utilisation et d'entretien normales. Avant de renvoyer une pièce, contactez le service à la clientèle du fabricant (Customer Service Department). Si le fabricant confirme le défaut de fabrication et approuve la réclamation, ce dernier remplacera gratuitement les dites pièces. Si vous devez renvoyer des pièces défectueuses, les pièces devront être expédiées port-payé. Le fabricant s'engage à renvoyer les pièces à l'acheteur port-payé.

Cette garantie limitée ne couvre pas les pannes et dysfonctionnements survenant suite à tout accident, mauvais usage, entretien incorrect de cet article, ou toute modification, mauvaise installation ou négligence comme il a été établi dans ce manuel. De plus, cette garantie limitée ne couvre pas les dommages au fini, à savoir les rayures, les bosses, les traces de décoloration, de rouille ou les dommages résultant des intempéries après achat de l'article. Cette garantie remplace toute autre garantie expressée et il n'existe aucune autre garantie expressée à l'exception de la couverture indiquée ici. Le fabricant désavoue toute garantie couvrant des produits ayant été achetés auprès de revendeurs autres que les revendeurs et distributeurs agréés y compris toute garantie de commercialisabilité et d'adaptation à un usage particulier. LE FABRICANT DÉCLINE ÉGALEMENT TOUTE GARANTIE IMPLICITE Y COMPRIS TOUTE GARANTIE DE COMMERCIALISABILITÉ ET D'ADAPTATION À UN USAGE PARTICULIER. LE FABRICANT NE POURRA ÊTRE TENU RESPONSABLE PAR L'ACHETEUR OU UN TIERS POUR TOUTS DÉGÂTS ET DOMMAGES PARTICULIERS, INDIRECTS, PUNITIFS OU CONSÉCUTIFS. De plus, le fabricant désavoue toute garantie expressée ou implicite et décline toute responsabilité en cas de défaut de fabrication causés par un tiers.

Cette garantie limitée octroie des droits spécifiques à l'acheteur reconnus par la loi et il est possible que ce dernier en possède d'autres selon sa localité. Certaines juridictions ne permettent pas l'exclusion ni la limitation de dommages consécutifs ou accessoires ni la limitation en temps d'une garantie et ces limitations peuvent ne pas être applicables à tous. Le fabricant ne permet en aucun cas à une personne ou à une société de s'attribuer les responsabilités et les obligations liées à la vente, l'installation, l'utilisation, la dépose ou le remplacement de cet article, et aucune de ces représentations n'engage la responsabilité du fabricant.

Blue Rhino Sourcing, Inc
Winston-Salem, North Carolina 27105, États-Unis
(800)-762-1142

6. Placez les aliments délicats tels que le poisson et les légumes dans du papier d'aluminium et placez-les sur la grille de cuisson supérieure (grille de réchauffage).

⚠️ AVERTISSEMENT: Ne jamais recouvrir complètement la zone de cuisson avec du papier d'aluminium.

7. Pour éviter que les aliments ne perdent leur jus, utilisez des pinces de cuisine ou des spatules au lieu de fourchettes et retournez les aliments une seule fois pendant la cuisson. 8. Lors d'une cuisson directe, réglez les brûleurs sur différents niveaux afin que les aliments puissent être cuits à différentes températures internes dans la même tranche de temps. 9. Lors d'une cuisson indirecte pour les rôtis et les grosses tranches de viande, placez la viande sur une grille de cuisson à l'intérieur d'un bac métallique robuste. Placez le bac sur les brûleurs qui ne sont pas allumés.

10. Faites un essai en utilisant des bacs métalliques remplis d'eau pour réduire les feux de graisse et cuire les viandes très juteuses. Avant d'allumer le barbecue, retirez les grilles de cuisson et placez un bac d'eau robuste et peu profond directement sur les diffuseurs de chaleur. Remplissez-le à moitié d'eau, de jus de fruits ou de tout autre liquide aromatisé. Remettez en place les grilles de cuisson et placez les aliments au-dessus du bac rempli de liquide.

11. Réhaussez le goût des aliments en les plaçant dans des pochettes d'aluminium ou dans des fumoirs avec des copeaux de bois. Suivez les instructions du fabricant des copeaux de bois. 12. Les tournebroches, les paniers à grill, les broches verticales à volailles et autres accessoires peuvent améliorer la cuisson, réduire le temps de cuisson et faciliter le nettoyage.

13. Nettoyez les grilles de cuisson et les autres grilles après chaque utilisation en utilisant une brosse de barbecue de bonne qualité conçue pour le type de matériau de votre grille. Portez des gants de protection et retirez doucement les résidus demeurés sur les grilles pendant qu'elles sont encore chaudes.

14. Après chaque utilisation, laissez le barbecue refroidir. Ensuite, protégez les grilles de cuisson propres en les enduisant d'une fine couche d'huile à friture, vidé le bac récupérateur de graisses, essuyez les surfaces externes du barbecue en utilisant un produit de nettoyage de cuisine adéquat et protégez ces surfaces en recouvrant le barbecue avec une housse de bonne qualité suffisamment grande pour ce type de barbecue.

15. Consultez les sites internet tels que www.bluerhino.com, regardez les programmes télévisés consacrés à la cuisson au barbecue ou achetez des livres de cuisine sur le même thème pour des conseils utiles supplémentaires comme les suivants :

Un barbecue au gaz est idéal pour réchauffer des parts de pizza. Réglez les brûleurs sur une flamme basse et placez les parts de pizza directement sur la grille de cuisson ayant été auparavant préchauffée. Fermez le couvercle et laissez-les cuire jusqu'à ce que le fromage commence à faire des bulles.

Nettoyage et entretien

⚠️ ATTENTION:

1. **Tout nettoyage ou entretien doit être effectué lorsque le barbecue est froid et après avoir fermé et débranché l'alimentation en gaz.**

2. **NE placez AUCUNE pièce du barbecue dans un four autonome/chauffant. La chaleur extrême endommagera le fini du barbecue.**

Avis

1. **Ce barbecue doit être vérifié et nettoyé en entier régulièrement.**

2. **N'utilisez pas de produits de nettoyage abrasifs car ils risquent d'endommager le barbecue.**

3. **N'utilisez jamais de produit à nettoyer les fours sur une pièce quelle qu'elle soit du barbecue.**

4. **NE placez aucune pièce du barbecue dans un four autonome/chauffant. La chaleur extrême endommagera le fini du barbecue.**

Avant chaque utilisation:

1. Assurez-vous que la zone autour du barbecue demeure dégagée et dépourvue de matières combustibles, d'essence et d'autres liquides et vapeurs inflammables.

2. Ne pas bloquer ni empêcher le débit d'air de combustion du propane ni de ventilation.

3. Assurez-vous que les ouvertures de ventilation autour de la bouteille de propane sont propres et ne comportent aucun débris.

4. Vérifiez visuellement la couleur des flammes et leur hauteur afin de vous assurer que le barbecue fonctionne correctement.

5. Reportez-vous aux paragraphes ci-dessous pour les instructions de nettoyage à suivre.

6. Assurez-vous que les tubes de venturi et des brûleurs ne sont pas bouchés par des insectes et leurs nids et nettoyez-les si nécessaire. Si la tubulure du brûleur est bouchée, ceci risque de provoquer un feu sous l'appareil.

6. Placez les aliments délicats tels que le poisson et les légumes dans du papier d'aluminium

et placez-les sur la grille de cuisson supérieure (grille de réchauffage).

⚠️ AVERTISSEMENT: Ne jamais recouvrir complètement la zone de cuisson avec du papier d'aluminium.

7. Pour éviter que les aliments ne perdent leur jus, utilisez des pinces de cuisine ou des spatules au lieu de fourchettes et retournez les aliments une seule fois pendant la cuisson. 8. Lors d'une cuisson directe, réglez les brûleurs sur différents niveaux afin que les aliments puissent être cuits à différentes températures internes dans la même tranche de temps. 9. Lors d'une cuisson indirecte pour les rôtis et les grosses tranches de viande, placez la viande sur une grille de cuisson à l'intérieur d'un bac métallique robuste. Placez le bac sur les brûleurs qui ne sont pas allumés.

10. Faites un essai en utilisant des bacs métalliques remplis d'eau pour réduire les feux de graisse et cuire les viandes très juteuses. Avant d'allumer le barbecue, retirez les grilles de cuisson et placez un bac d'eau robuste et peu profond directement sur les diffuseurs de chaleur. Remplissez-le à moitié d'eau, de jus de fruits ou de tout autre liquide aromatisé. Remettez en place les grilles de cuisson et placez les aliments au-dessus du bac rempli de liquide.

11. Réhaussez le goût des aliments en les plaçant dans des pochettes d'aluminium ou dans des fumoirs avec des copeaux de bois. Suivez les instructions du fabricant des copeaux de bois. 12. Les tournebroches, les paniers à grill, les broches verticales à volailles et autres accessoires peuvent améliorer la cuisson, réduire le temps de cuisson et faciliter le nettoyage.

13. Nettoyez les grilles de cuisson et les autres grilles après chaque utilisation en utilisant une brosse de barbecue de bonne qualité conçue pour le type de matériau de votre grille. Portez des gants de protection et retirez doucement les résidus demeurés sur les grilles pendant qu'elles sont encore chaudes.

14. Après chaque utilisation, laissez le barbecue refroidir. Ensuite, protégez les grilles de cuisson propres en les enduisant d'une fine couche d'huile à friture, vidé le bac récupérateur de graisses, essuyez les surfaces externes du barbecue en utilisant un produit de nettoyage de cuisine adéquat et protégez ces surfaces en recouvrant le barbecue avec une housse de bonne qualité suffisamment grande pour ce type de barbecue.

15. Consultez les sites internet tels que www.bluerhino.com, regardez les programmes télévisés consacrés à la cuisson au barbecue ou achetez des livres de cuisine sur le même thème pour des conseils utiles supplémentaires comme les suivants :

Un barbecue au gaz est idéal pour réchauffer des parts de pizza. Réglez les brûleurs sur une flamme basse et placez les parts de pizza directement sur la grille de cuisson ayant été auparavant préchauffée. Fermez le couvercle et laissez-les cuire jusqu'à ce que le fromage commence à faire des bulles.

Pour une cuisson indirecte

Cette cuisson consiste à ne pas cuire les aliments directement sur les brûleurs chauds. Cette cuisson est idéale pour toute cuisson lente et pour les aliments dont la cuisson prend plus de 25 minutes comme les rôtis, les filets, les côtelettes ainsi que les poulets, dindes, et poissons entiers et les articles de boulangerie.

1. Ouvrez le couvercle et allumez les brûleurs désirés en suivant les instructions d'allumage du manuel d'utilisation.

2. Fermez le couvercle et préchauffez le barbecue en le réglant sur « HIGH » (max.).

3. Portez des gants de protection et utilisez des pinces de cuisine à long manche pour disposer les aliments sur les grilles de cuisson, au-dessus des brûleurs qui ne sont pas allumés.

4. Réglez les boutons sur la température désirée.

5. Avec le couvercle ouvert ou fermé, laissez la nourriture cuire jusqu'à ce que la température interne désirée des aliments soit atteinte.

6. Éteignez le barbecue en réglant le robinet de gaz de la bouteille de propane sur « CLOSED » (fermé). Brûlez le reste du gaz contenu dans la tuyauterie en attendant 15 secondes puis réglez tous les boutons des brûleurs sur « OFF » (arrêt). Vous entendrez un son étouffé, ceci est normal, il s'agit du reste du propane venant de se consumer.

Pour une cuisson directe

Laissez cuire les aliments directement sur les brûleurs chauds. Cette cuisson est idéale afin de piéger le jus à l'intérieur des aliments et pour les aliments tels que les steaks, les hamburgers, les hot-dogs, le poulet, les légumes et les fruits dont la cuisson prendra moins de 25 minutes.

1. Ouvrez le couvercle et allumez les brûleurs désirés en suivant les instructions d'allumage du manuel d'utilisation.

2. Fermez le couvercle et préchauffez le barbecue en le réglant sur « HIGH » (max.).

3. Portez des gants de protection et utilisez des pinces de cuisine à long manche pour disposer les aliments sur les grilles de cuisson, au-dessus des brûleurs allumés.

4. Réglez les boutons sur la température désirée.

5. Avec le couvercle ouvert ou fermé, laissez la nourriture cuire jusqu'à ce que la température interne désirée des aliments soit atteinte.

6. Éteignez le barbecue en réglant le robinet de gaz de la bouteille de propane sur « CLOSED » (fermé). Brûlez le reste du gaz contenu dans la tuyauterie en attendant 15 secondes puis réglez tous les boutons des brûleurs sur « OFF » (arrêt). Vous entendrez un son étouffé, ceci est normal, il s'agit du reste du propane venant de se consumer.

Quelques conseils pour de meilleures grillades et afin d'assurer la pérennité du barbecue

Pour plus de conseils sur la cuisson indirecte, veuillez vous reporter au chapitre suivant « Quelques conseils pour de meilleures grillades et afin d'assurer la pérennité du barbecue ».

1. Pour des conseils sur la cuisson des aliments : http://www.fsis.usda.gov/Fact_Sheets/Barbecue_Food_Safety/

2. Utilisez la grille de cuisson supérieure (grille de réchauffage) afin de maintenir au chaud les aliments que vous venez de cuire, griller du pain ou cuire des aliments délicats dans des pochettes de papier d'aluminium.

3. Utilisez le brûleur latéral de cet appareil en tant que cuisinière ordinaire pour bouillir, sauter ou frire les aliments.

4. Pour éviter que les aliments ne collent aux grilles, vaporisez ou appliquez une couche d'huile végétale sur les surfaces de cuisson avant d'allumer le barbecue.

5. Pour réduire les feux de graisse, veillez à ce que le barbecue demeure propre, utilisez de la viande mince (découpez le gras) et évitez de cuire à de très hautes températures.

6. Éteignez le barbecue en réglant le robinet de gaz de la bouteille de propane sur « CLOSED » (fermé). Brûlez le reste du gaz contenu dans la tuyauterie en attendant 15 secondes puis réglez tous les boutons des brûleurs sur « OFF » (arrêt). Vous entendrez un son étouffé, ceci est normal, il s'agit du reste du propane venant de se consumer.

7. Pour éviter que les aliments ne perdent leur jus, utilisez des pinces de cuisine ou des spatules au lieu de fourchettes et retournez les aliments une seule fois pendant la cuisson. 8. Lors d'une cuisson directe, réglez les brûleurs sur différents niveaux afin que les aliments puissent être cuits à différentes températures internes dans la même tranche de temps. 9. Lors d'une cuisson indirecte pour les rôtis et les grosses tranches de viande, placez la viande sur une grille de cuisson à l'intérieur d'un bac métallique robuste. Placez le bac sur les brûleurs qui ne sont pas allumés.

10. Faites un essai en utilisant des bacs métalliques remplis d'eau pour réduire les feux de graisse et cuire les viandes très juteuses. Avant d'allumer le barbecue, retirez les grilles de cuisson et placez un bac d'eau robuste et peu profond directement sur les diffuseurs de chaleur. Remplissez-le à moitié d'eau, de jus de fruits ou de tout autre liquide aromatisé. Remettez en place les grilles de cuisson et placez les aliments au-dessus du bac rempli de liquide.

11. Réhaussez le goût des aliments en les plaçant dans des pochettes d'aluminium ou dans des fumoirs avec des copeaux de bois. Suivez les instructions du fabricant des copeaux de bois. 12. Les tournebroches, les paniers à grill, les broches verticales à volailles et autres accessoires peuvent améliorer la cuisson, réduire le temps de cuisson et faciliter le nettoyage.

13. Nettoyez les grilles de cuisson et les autres grilles après chaque utilisation en utilisant une brosse de barbecue de bonne qualité conçue pour le type de matériau de votre grille. Portez des gants de protection et retirez doucement les résidus demeurés sur les grilles pendant qu'elles sont encore chaudes.

14. Après chaque utilisation, laissez le barbecue refroidir. Ensuite, protégez les grilles de cuisson propres en les enduisant d'une fine couche d'huile à friture, vidé le bac récupérateur de graisses, essuyez les surfaces externes du barbecue en utilisant un produit de nettoyage de cuisine adéquat et protégez ces surfaces en recouvrant le barbecue avec une housse de bonne qualité suffisamment grande pour ce type de barbecue.

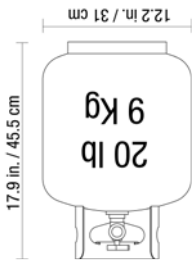
15. Consultez les sites internet tels que www.bluerhino.com, regardez les programmes télévisés consacrés à la cuisson au barbecue ou achetez des livres de cuisine sur le même thème pour des conseils utiles supplémentaires comme les suivants :

Un barbecue au gaz est idéal pour réchauffer des parts de pizza. Réglez les brûleurs sur une flamme basse et placez les parts de pizza directement sur la grille de cuisson ayant été auparavant préchauffée. Fermez le couvercle et laissez-les cuire jusqu'à ce que le fromage commence à faire des bulles.

Installer la bouteille de propane

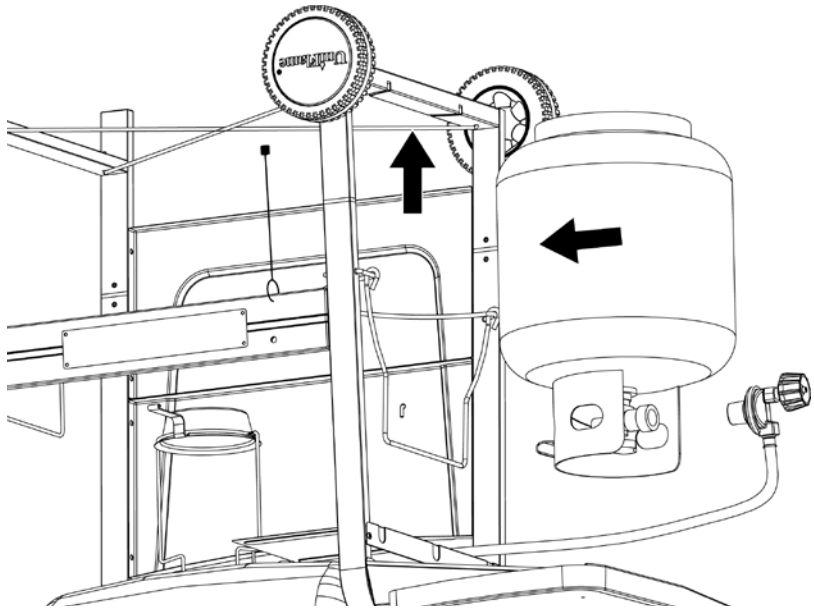
Il est nécessaire de brancher une bouteille de propane standard de 20 livres (9 kg) pour barbecue avec soupape de commande à filetage externe.

Remarque: Une bouteille de propane standard vide pour barbecue pèse environ 18 livres (8,1 kg). Une bouteille de propane standard pour barbecue remplie avec précision ne devrait pas peser plus de 38 livres (17,2 kg).



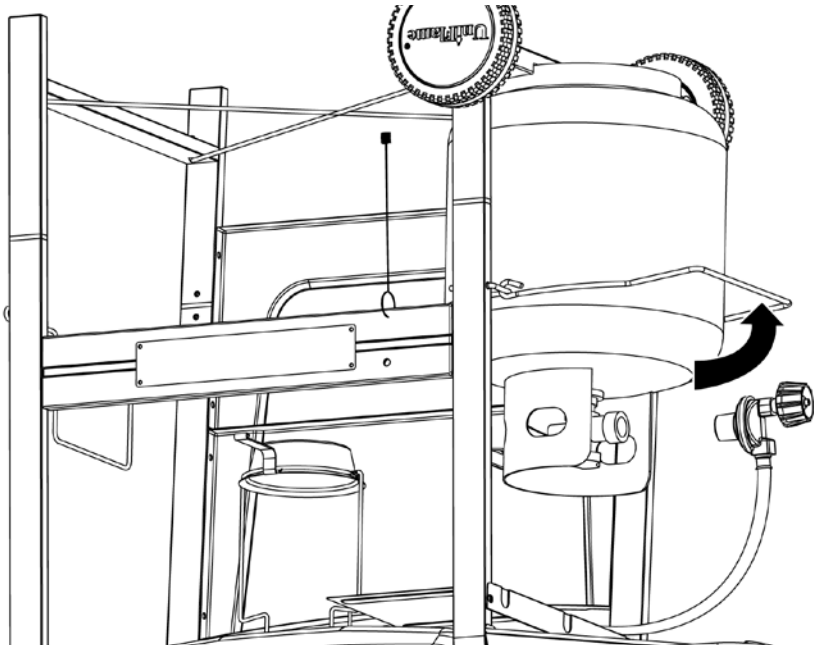
Insérer la bouteille de propane

Placez une bouteille de propane pleine de 20 livres (9 kg) debout dans la plaque de logement de la bouteille de manière à ce que la soupape de la bouteille de propane se trouve face au raccord de branchement de la conduite de gaz.



Fixer la bouteille de propane

Fixez la bouteille en glissant l'étrier de retenue par-dessus l'épaule de la bouteille de propane.



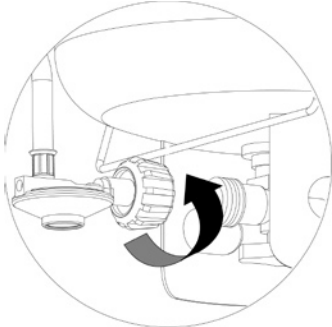
Brancher la bouteille de propane

Avant de procéder au branchement, assurez-vous de l'absence de débris dans la tête de la bouteille, autour de la tête de la soupape du régulateur ainsi que dans la tête du brûleur et dans les orifices du brûleur. Branchez le tuyau de gaz sur la bouteille en tournant dans le sens des aiguilles d'une montre jusqu'au blocage.



Débrancher la bouteille de propane

Avant de débrancher la bouteille, assurez-vous que le robinet de la bouteille de propane se trouve sur « CLOSED » (« Fermé»). Débranchez le tuyau de gaz de la bouteille en tournant le bouton dans le sens inverse à celui des aiguilles d'une montre jusqu'à ce qu'il soit desserré.



Vous avez besoin d'une bouteille de gaz? Essayez notre service d'échange de bouteilles de gaz. C'est un service facile, rapide, sans danger et présent dans des dizaines de milliers de points de vente partout dans le pays. Achetez une bouteille neuve ou échangez votre bouteille vide contre une bouteille déjà remplie avec précision.



Fonctionnement

Rechercher une fuite potentielle

Raccordement des brûleurs
1. Assurez-vous que la soupape du régulateur et le tuyau ont été correctement raccordés au brûleur et à la bouteille de gaz.

AVERTISSEMENT: Si vous ne vérifiez pas ce raccord et ne respectez pas ces instructions, vous risquez de provoquer un incendie ou une explosion pouvant entraîner des dégâts matériels, des blessures graves voire la mort.

2. Reportez-vous à l'illustration afin d'effectuer correctement l'installation (illustrations 1 et 2).
3. Si le tube du brûleur ne repose pas au ras de l'orifice, veuillez appeler notre service à la clientèle au 1.800.762.1142.

Raccordement du tuyau de gaz à la bouteille

1. Préparez une solution d'environ 80 ml destinée à détecter les fuites en mélangeant un volume de liquide à vaisselle et 3 volumes d'eau.
2. Vérifiez que les boutons de commande du barbecue sont tous sur « OFF » (arrêt). Reportez-vous à l'illustration 3.

3. Ouvrez le gaz en réglant le robinet de la bouteille de propane sur « OPEN » (Ouvrir).

4. Versez quelques gouttes de la solution sur tous les points de raccordement indiqués par un « X ».

a. Si des bulles apparaissent, fermez le gaz en réglant le robinet de la bouteille de propane sur « CLOSED » (« Fermé»), desserrez le raccord puis rebranchez en vous assurant qu'il est étanche en effectuant un autre test d'étanchéité.
b. Si des bulles persistent après plusieurs tentatives, fermez le gaz en réglant le robinet de la bouteille de propane sur « CLOSED » (« Fermé»), débranchez la bouteille et appelez le 1.800.762.1142.

c. S'il n'y a toujours pas de bulles après une minute, fermez le gaz en réglant le robinet de la bouteille de propane sur « CLOSED » (« Fermé»), essuyez la solution et continuez.

Fonctionnement des brûleurs principaux

Utiliser le barbecue pour la première fois

1. Assurez-vous d'avoir retiré toutes les étiquettes ainsi que tout le matériau d'emballage et le film protecteur du barbecue.
2. Avant de cuire quoi que ce soit sur le barbecue pour la première fois, faites fonctionner le barbecue pendant environ 15 minutes avec le couvercle fermé et le bouton de commande du gaz sur « HIGH » (maximum). La chaleur « nettoiera » les pièces internes et dissipera les odeurs.

Pour allumer

1. Ouvrez le couvercle du barbecue. **Toute tentative d'allumage du brûleur avec le couvercle fermé risque de provoquer une explosion!**

2. Assurez-vous qu'il n'existe aucune obstruction et que rien ne gêne le débit d'air vers les brûleurs. Des araignées et autres insectes peuvent y être domiciliés et boucher le brûleur et le tube venturi au niveau de l'orifice. Si la tubulure du brûleur est bouchée, ceci risque de provoquer un feu en-dessous de l'appareil.
3. Tous les boutons de commande doivent être réglés sur « OFF » (Arrêt). Reportez-vous à l'illustration 3.



Illustration 1

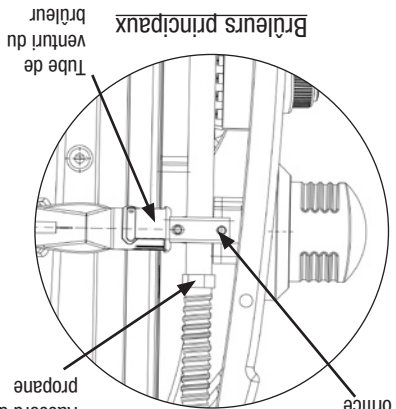


Illustration 2

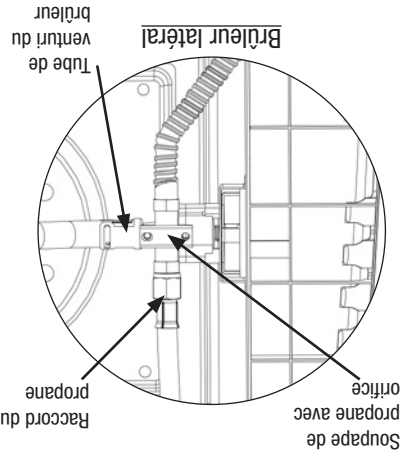


Illustration 3

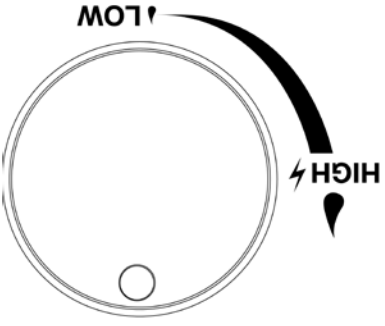


Illustration 4

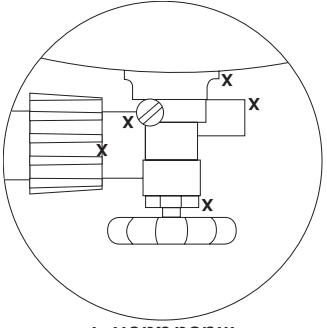


Illustration 5

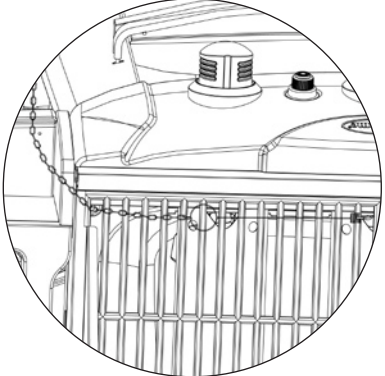
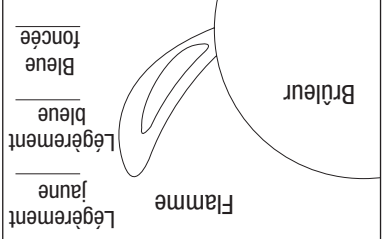
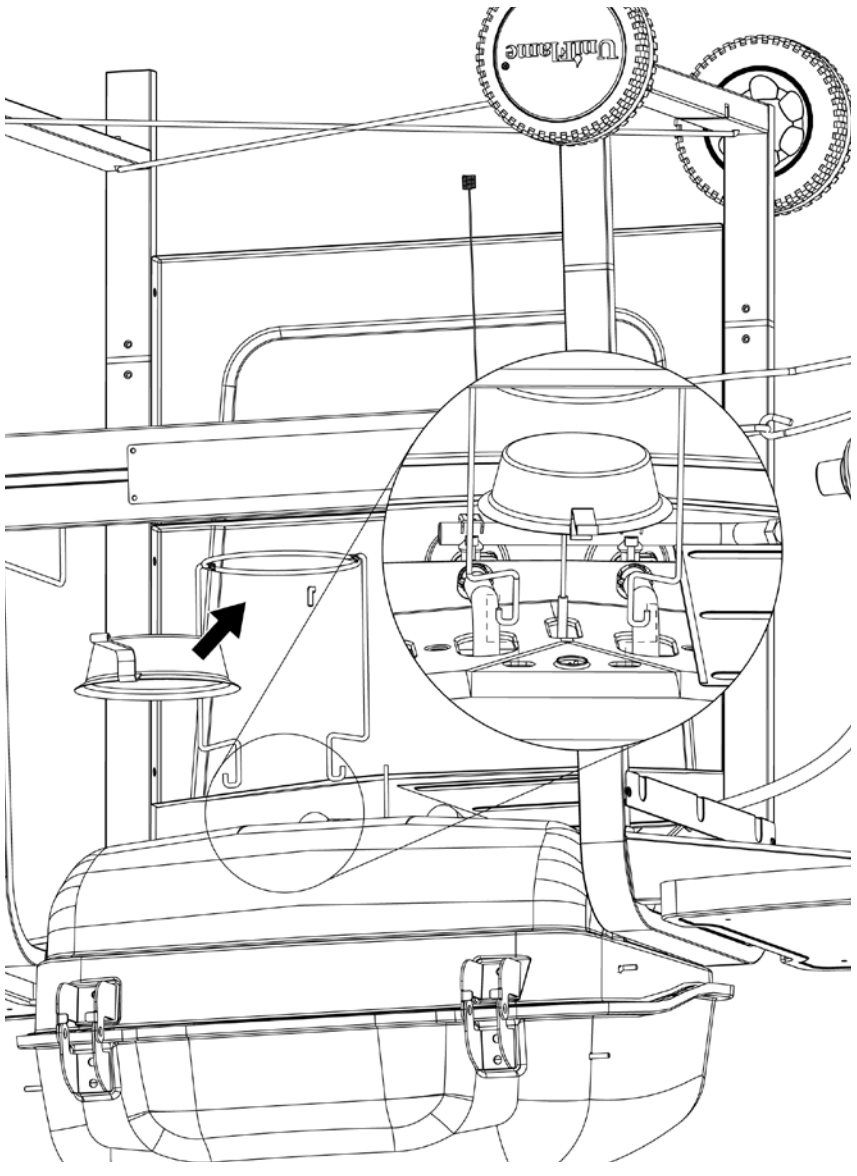


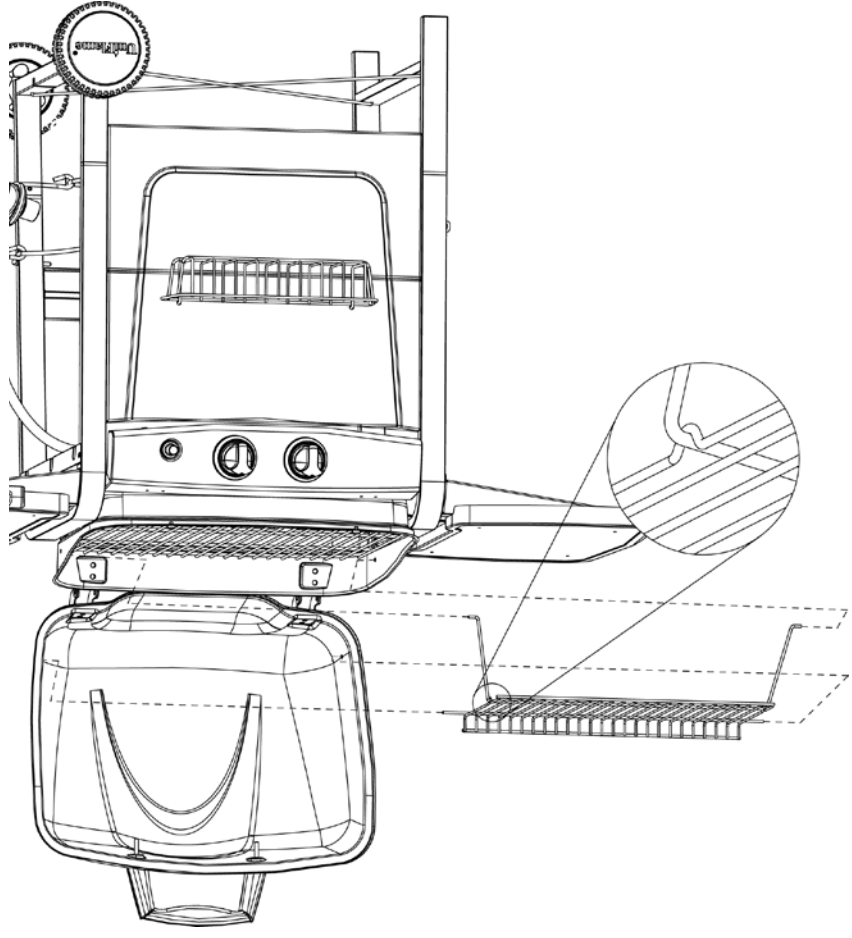
Illustration 6





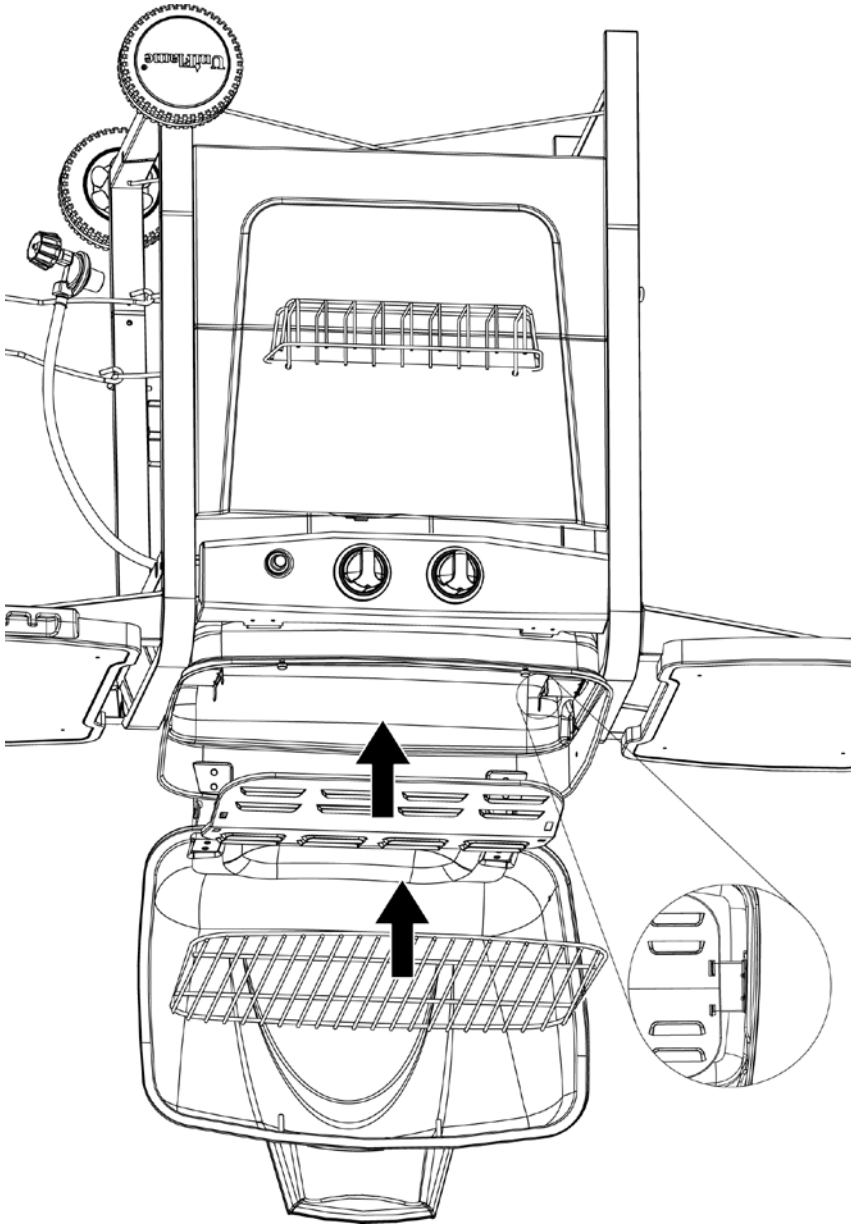
Fixez le godet collecteur de graisse et le support du godet collecteur de graisse

16



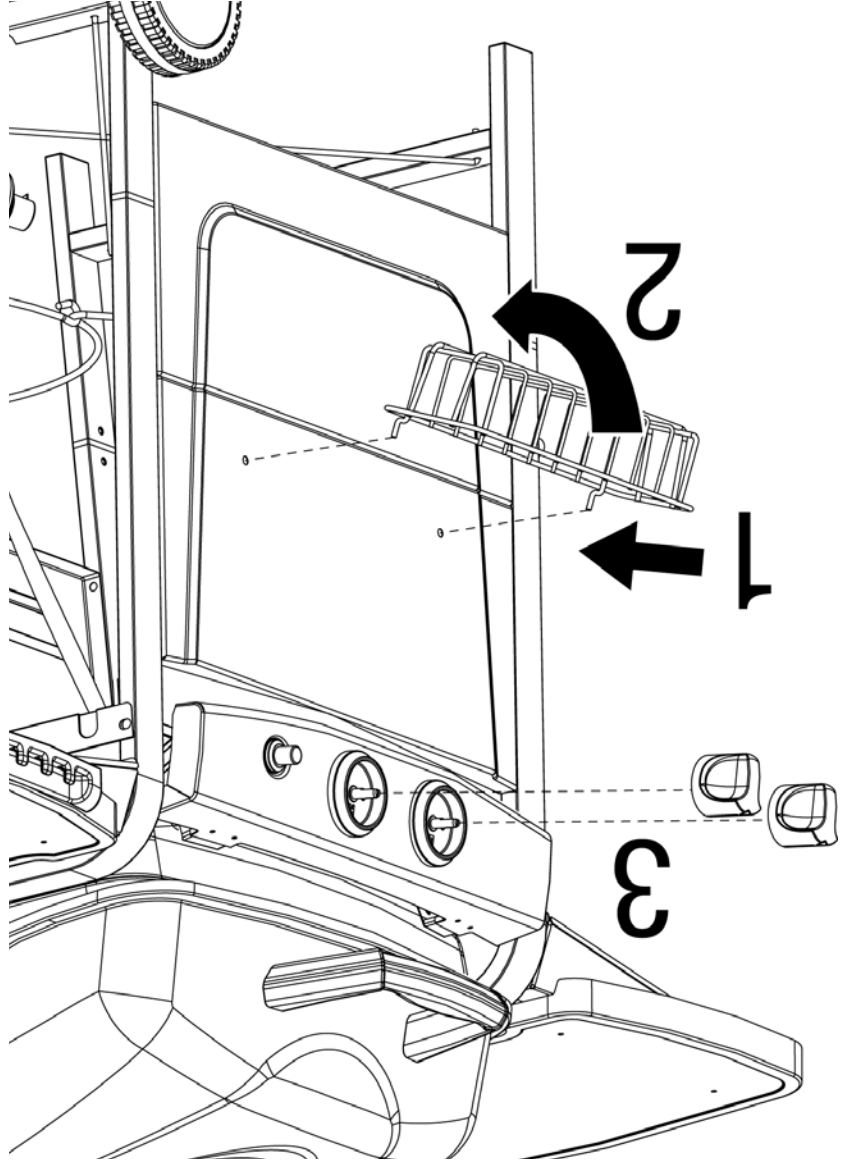
Placez la grille de réchauffage

15



Placez le diffuseur de chaleur et la grille de cuisson

14



Fixez le porte-condiments et les boutons de commandes

13



9

Fixez la cuve du barbecue

B x 4
 H x 4
 F x 4

11

Fixez les supports des tablettes latérales

B x 8

10

Fixez les plaques protectrice contre la chaleur pour bouteille de propane

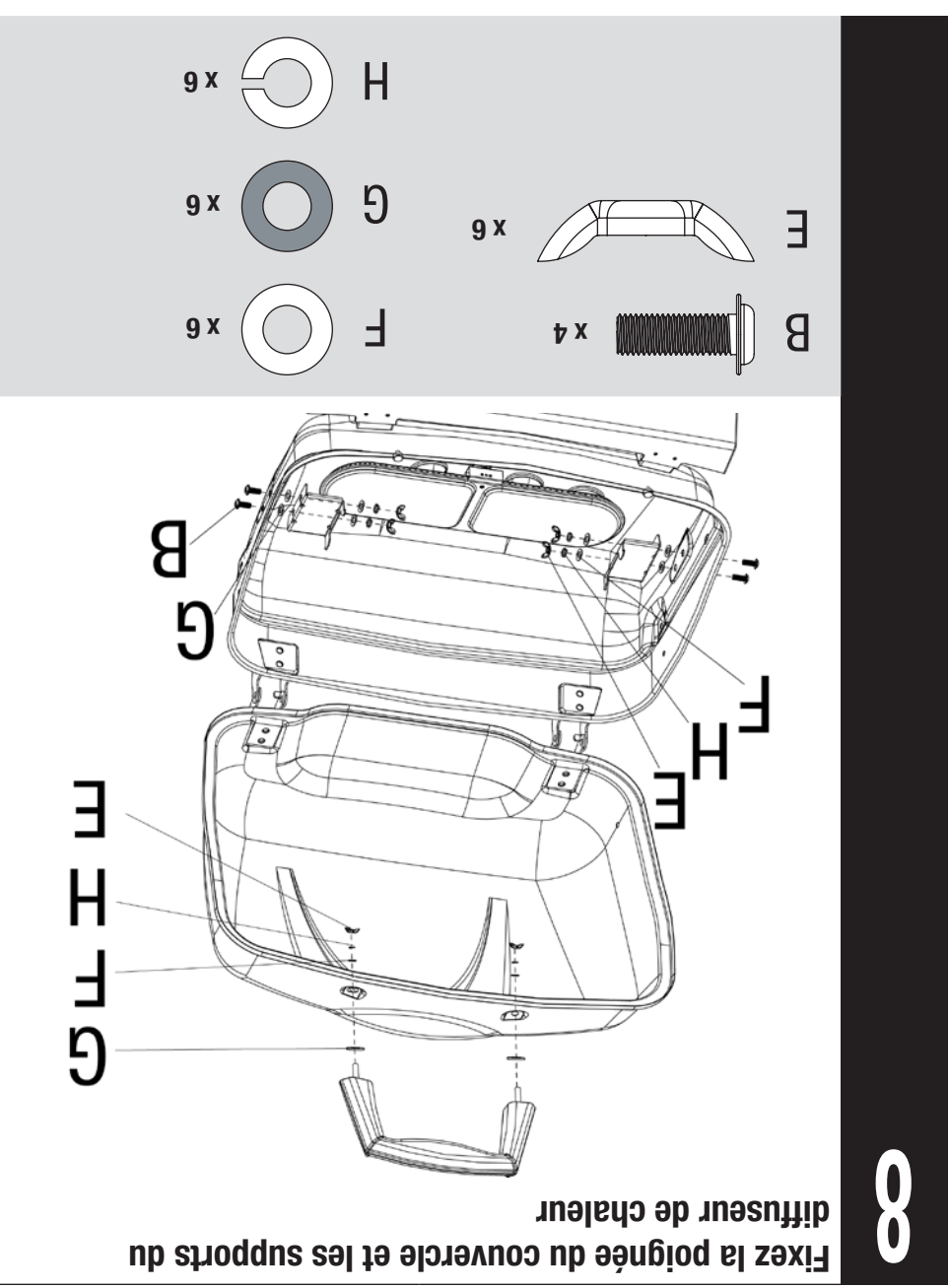
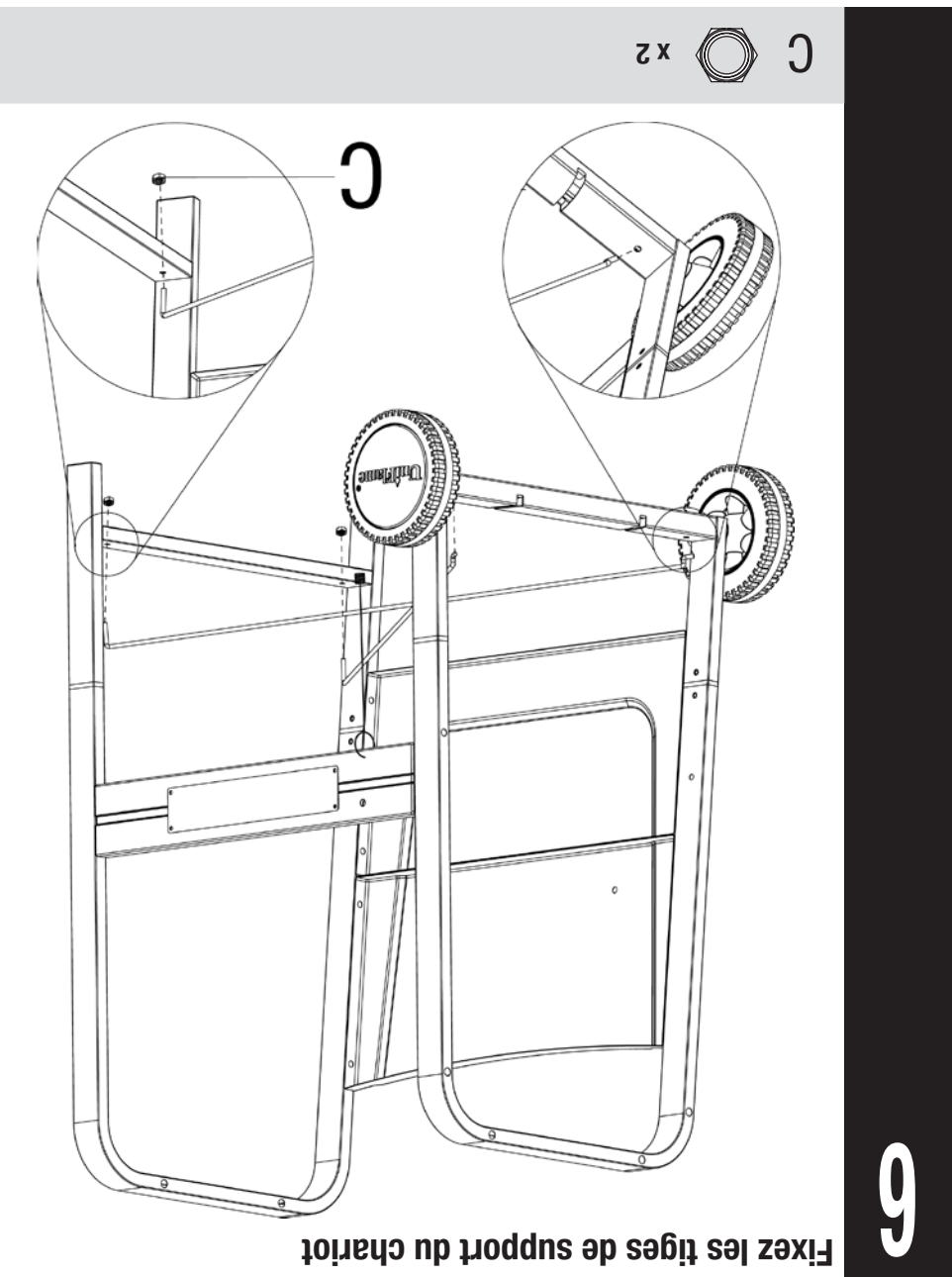
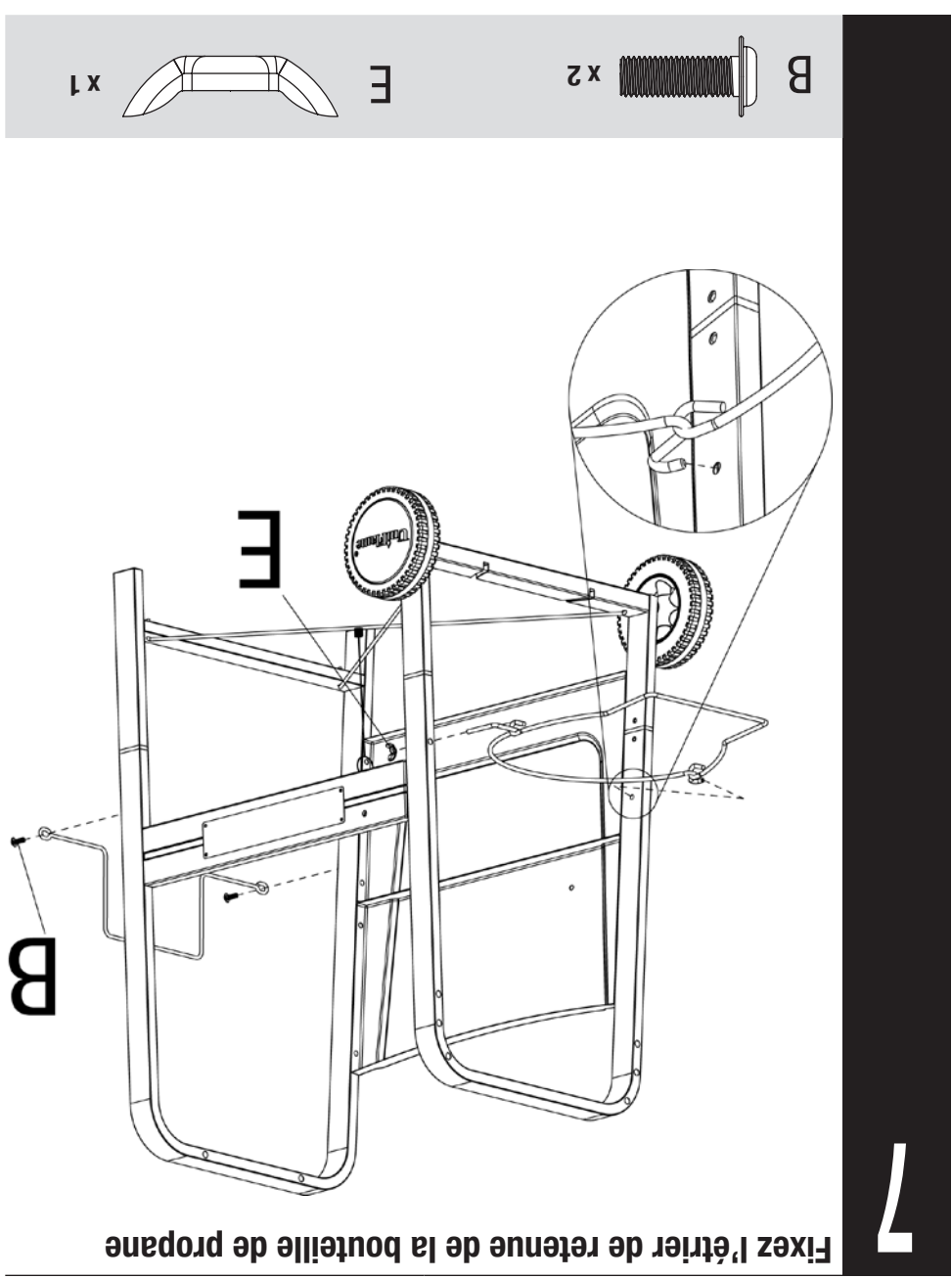
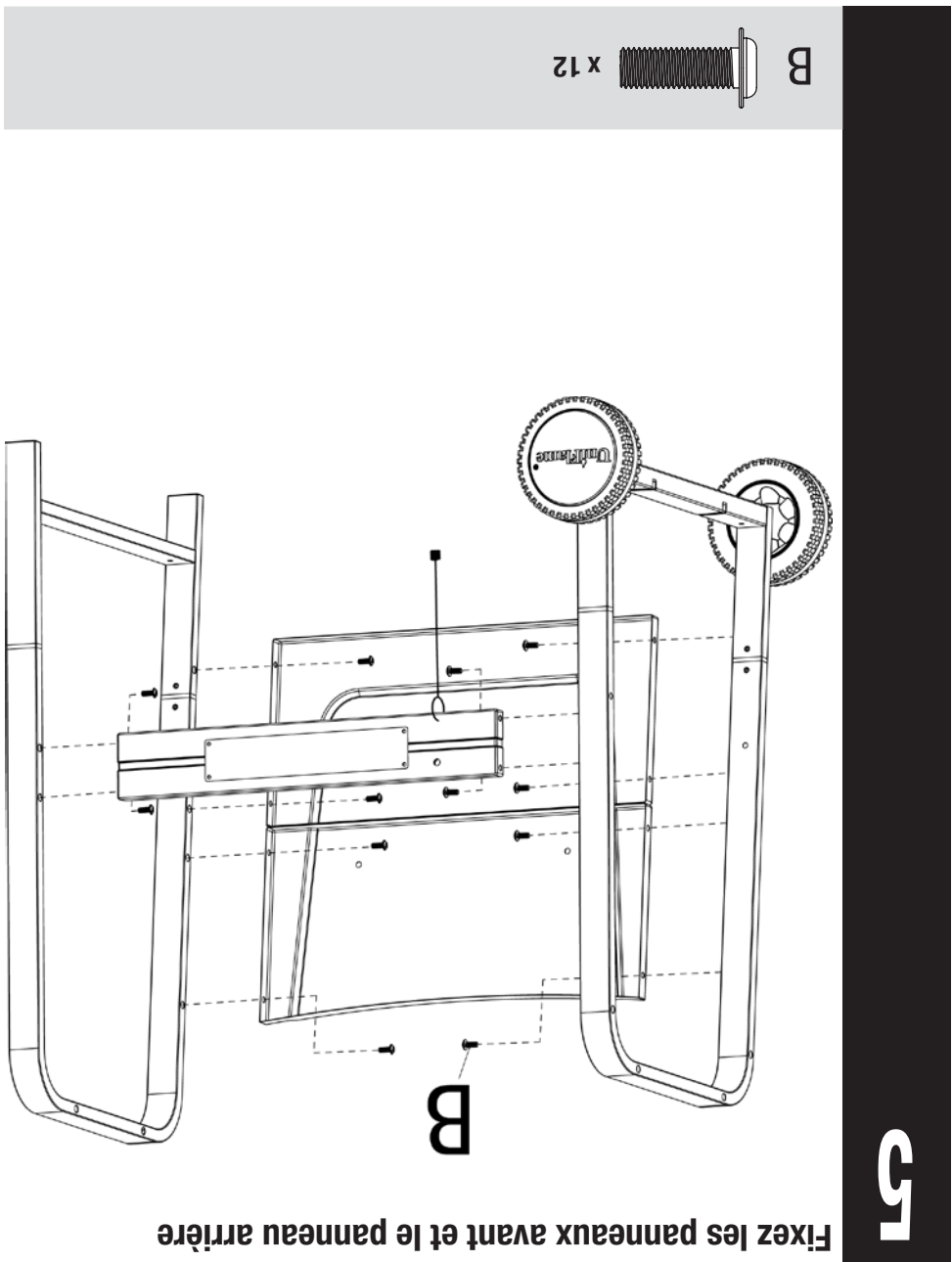
B x 4

12

Fixez les tablettes latérales

B x 8

5 mm



1 NE PAS RETOURNER AU MAGASIN AVEC CET ARTICLE.

Pour toute assistance technique, appelez le numéro sans frais **1.800.762.1142**. Faites en sorte que votre manuel d'utilisation et le numéro de série soient à portée de main afin de pouvoir vous y référer.

Remarque: Le numéro de série se trouve au dos du chariot.

Pour faciliter l'assemblage:

- Pour éviter de perdre des petites pièces ou la quincaillerie d'installation, assemblez cet article sur une surface dure et plane qui ne comporte pas de trous ni de fissures.
- Prévoyez une surface de travail suffisamment grande afin d'étaler toutes les pièces et la quincaillerie d'installation.
- Lorsque nécessaire, serrez toute les fixations et la visserie en premier, puis une fois l'étape terminée, serrez-les complètement.
- Suivez toutes les étapes dans l'ordre afin d'assembler correctement cet article.

Pour effectuer l'assemblage, vous aurez besoin des choses suivantes:

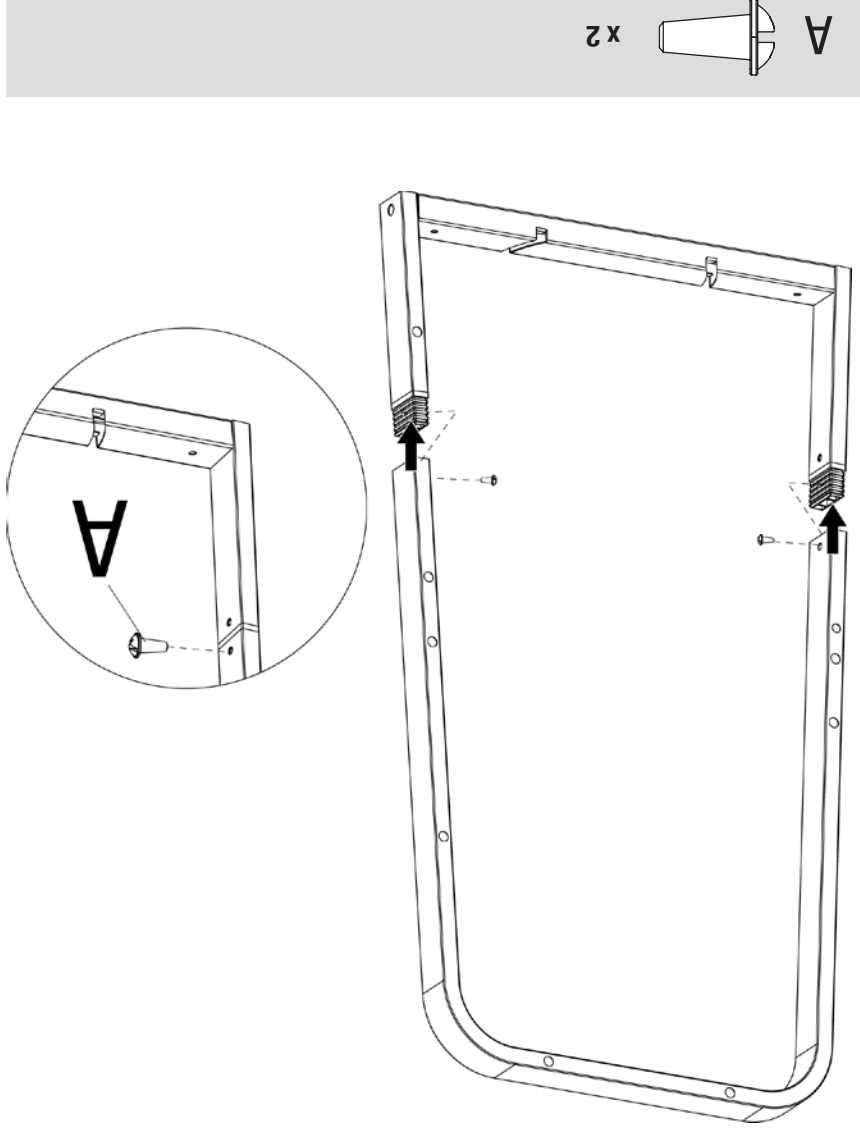
- (1) solution de détection de fuites (voir instructions sur la préparation de la solution au chapitre « Fonctionnement »).
- (1) bouteille de propane liquide pour barbecue (de 15 à 19 litres) remplie avec précision avec raccord de robinet à filetage externe Acme de type 1.

Remarque: Veuillez suivre toutes les étapes dans l'ordre afin d'assembler correctement le barbecue.

Temps d'assemblage: environ une (1) heure.

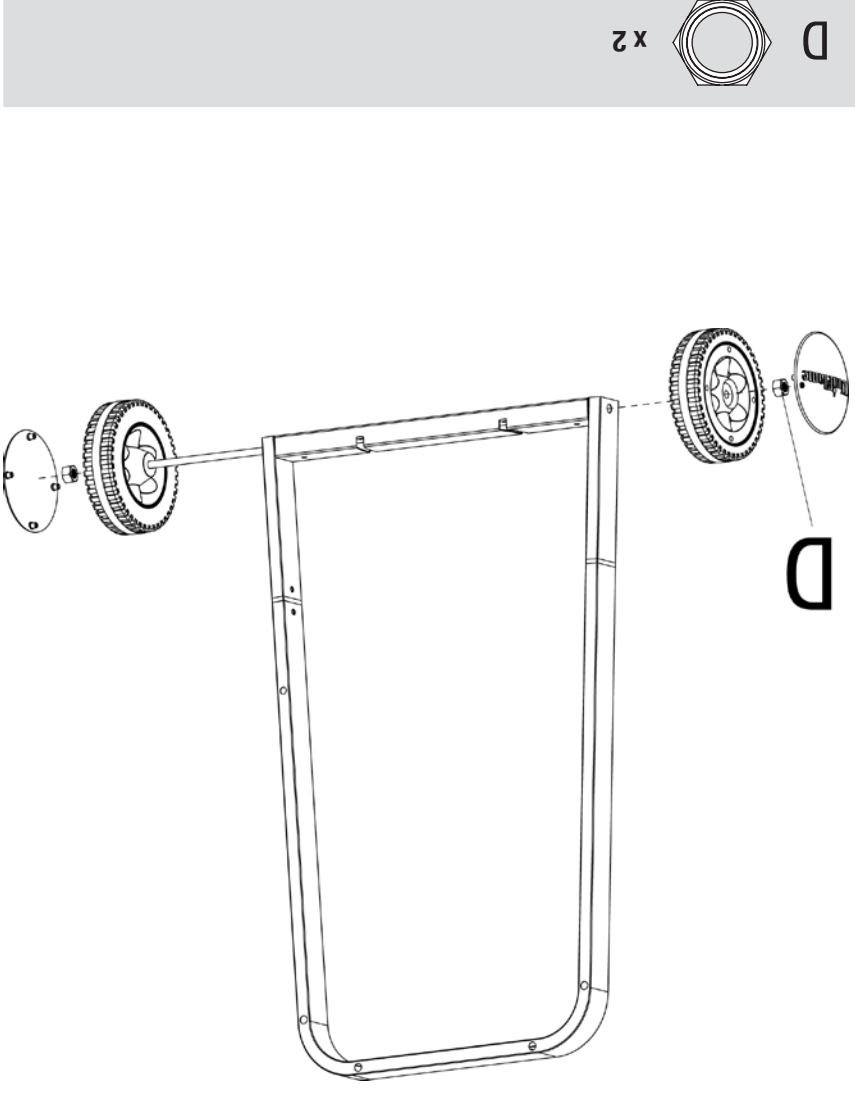
1

3 Assemblez le cadre droit du chariot



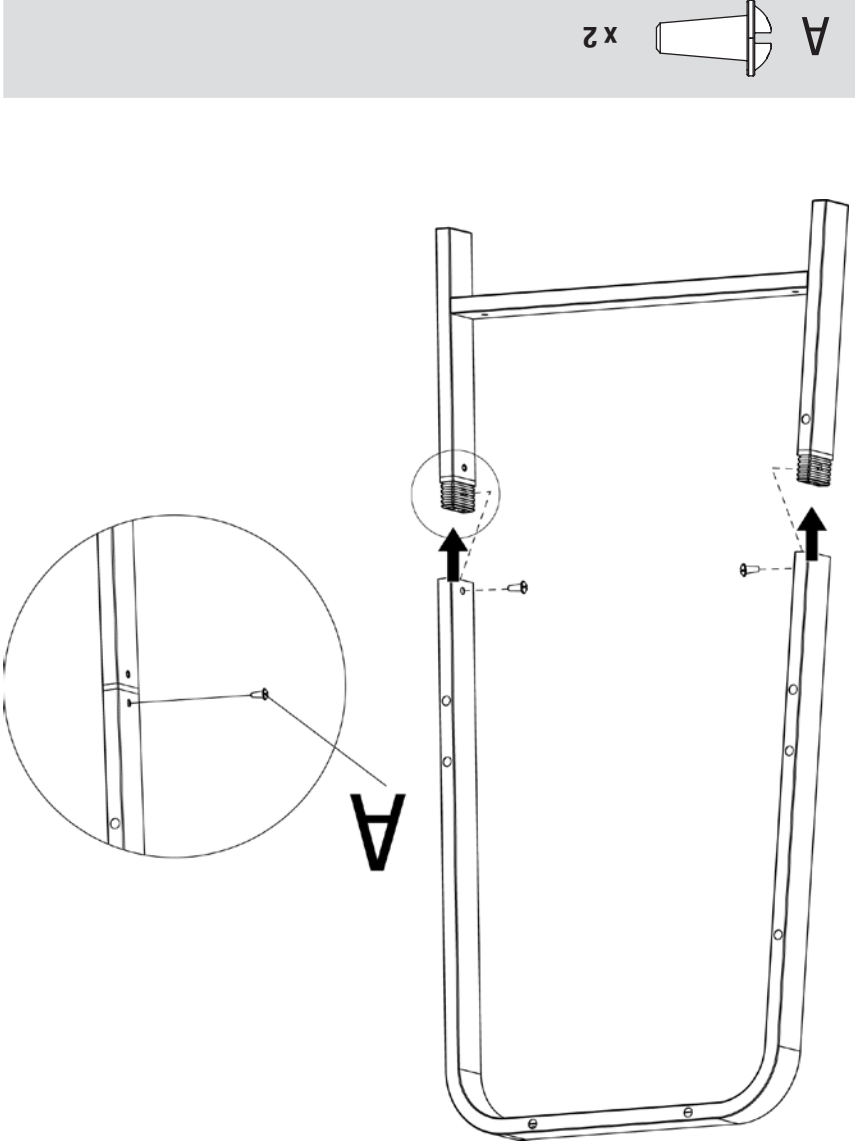
3

4 Fixez l'essieu, les roues et les enjoliveurs



4

2 Assemblez le cadre gauche du chariot



2

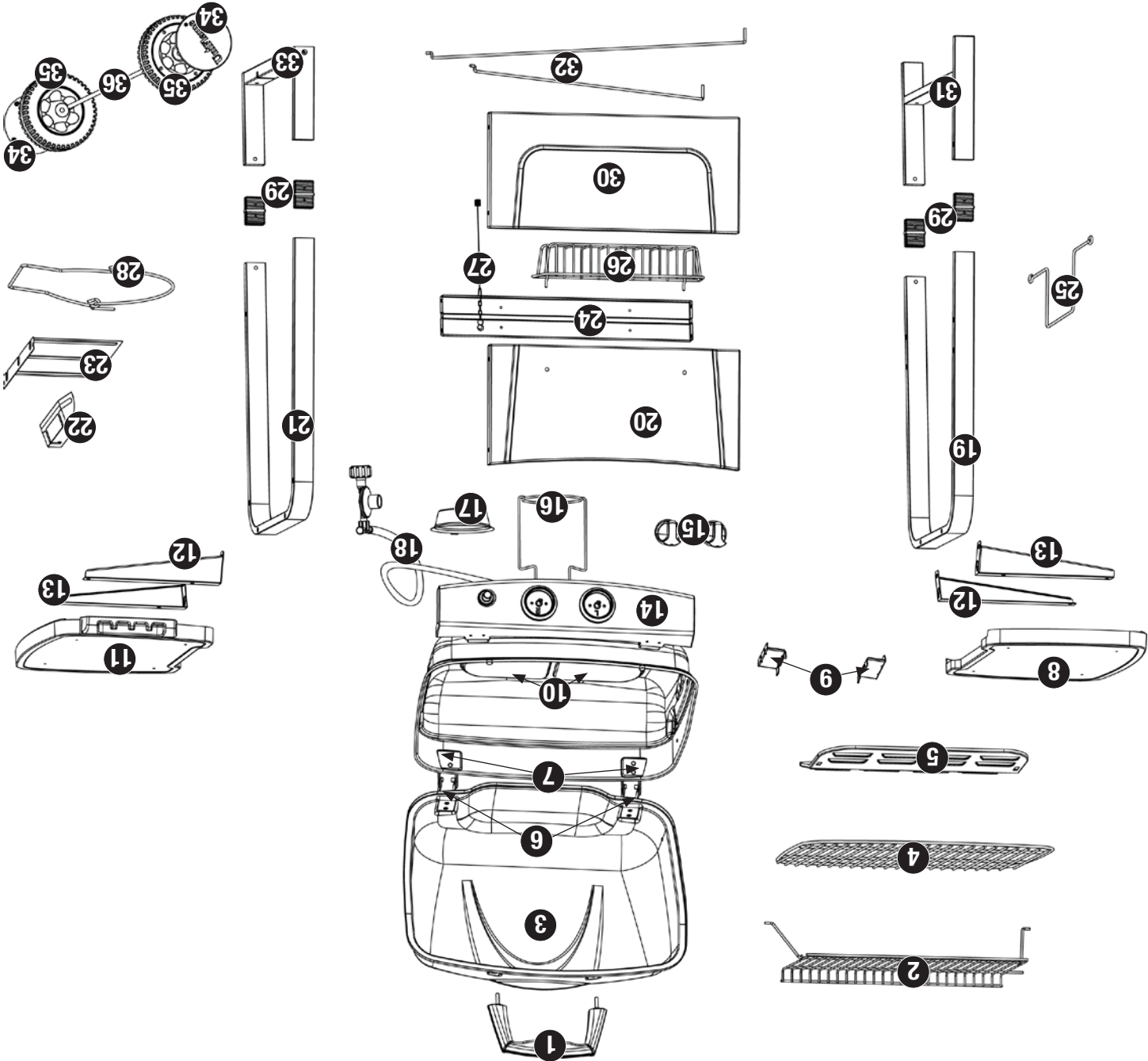
3

4

Liste des pièces

1	Poignée du couvercle	55-09-308
2	Grille de réchauffage	55-09-321
3	Couvercle*	55-09-307
4	Grille de cuisson	55-09-300
5	Diffuseur de chaleur	55-09-303
6	Charnière supérieure (2)*	55-07-360
7	Charnière inférieure (2)*	55-07-306
8	Tablette gauche	55-09-305
9	Support du diffuseur de chaleur (2)	55-09-445
10	Brûleur (2)*	55-09-295
11	Tablette droite	55-09-316
12	Side Shelf Support A (2)	55-09-446
13	Side Shelf Support B (2)	55-09-447
14	Cuve du barbecue	55-09-301
15	Bouton de commande (2)	55-09-298
16	Support du godet collecteur de graisse	55-07-316
17	Godet collecteur de graisse	55-07-315
18	Régulateur et tuyau	55-08-128
19	Cadre supérieur gauche du chariot	55-09-319
20	Panneau avant supérieur	55-09-318
21	Cadre supérieur droit du chariot	55-09-320
22	Plaque protectrice contre la chaleur A pour bouteille de propane	55-09-448
23	Plaque protectrice contre la chaleur B pour bouteille de propane	55-09-449
24	Panneau arrière	55-09-315
25	Tige A de support du chariot	55-09-450
26	Porte-condiments	55-09-297
27	Tige d'allumage	55-07-331
28	Etrier de retenue de la bouteille de propane	55-09-312
29	Pièce de jonction des pieds (4)*	55-09-306
30	Panneau avant inférieur	55-09-309

Vue éclatée



31	Cadre inférieur gauche du chariot	55-09-310
32	Tige B de support du chariot (2)	55-09-296
33	Cadre inférieur droit du chariot	55-09-311
34	Enjoliveur (2)	55-09-304
35	Roue (2)	55-09-322
36	Essieu	55-09-323

* Préassemblé

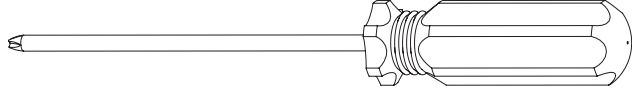
Quincaillerie

A	Vis	Nickelee, à tête bombée Phillips, ST4,8x10	4 pcs
B	Vis	Nickelee, à tête bombée Phillips, M6x14	42 pcs
C	Écrou	Galvanisé, M5	2 pcs
D	Écrou	Galvanisé, M8	2 pcs
E	Écrou à oreilles	Acier, M6	7 pcs
F	Rondelle	Nickelee, ø6,4	10 pcs
G	Rondelle	Résistante à la chaleur, ø6,4	6 pcs
H	Rondelle de blocage	Nickelee, ø6,4	10 pcs

Outils requis pour l'assemblage (fournis)

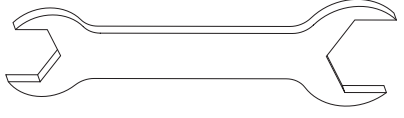
Tournevis cruciforme Phillips n° 2

1 pc



Ciè M5 - M8

2 pcs



AVERTISSEMENT:

En cas d'odeur de gaz:

1. Fermer le robinet de gaz alimentant l'appareil.
2. Éteindre toute flamme.
3. Ouvrir le couvercle
4. Si l'odeur persiste, s'éloigner de l'appareil et contacter immédiatement le fournisseur de bouteilles de gaz ou les pompiers.

AVERTISSEMENT

1. Ne pas utiliser ni entreposer de l'essence ou des liquides présentant des vapeurs inflammables dans le voisinage de cet appareil ou de tout autre appareil.

2. Ne pas entreposer une bouteille de propane de recharge dans le voisinage de cet appareil ou de tout autre appareil.

AVERTISSEMENT: Le non-respect des avis de danger, des mises en garde et des consignes de sécurité de ce manuel risque de provoquer un incendie ou une explosion et d'entraîner des dégâts matériels, des blessures graves voire la mort.

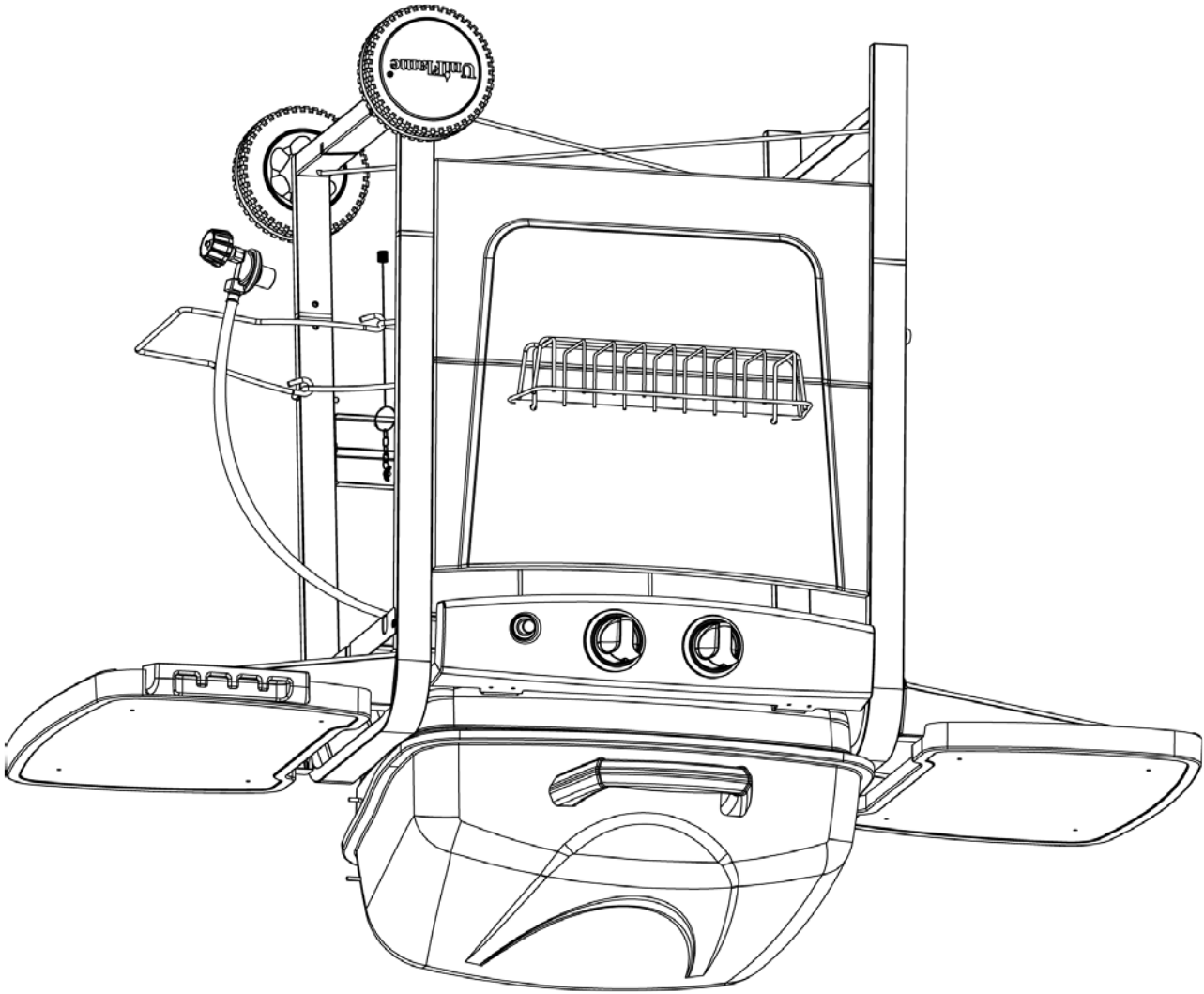
AVERTISSEMENT:

- ▲ Ce barbecue doit être utilisé uniquement à l'extérieur et ne doit pas être utilisé dans un immeuble, un garage ou tout autre espace clos.
- ▲ NE PAS utiliser ou allumer cet appareil à moins de 2,43 m de tout mur, construction ou immeuble.
- ▲ Ce barbecue N'est PAS destiné à un usage commercial.
- ▲ Ce barbecue doit être utilisé uniquement avec du propane liquide (PL). Toute utilisation de gaz naturel avec ce barbecue ou tentative de conversion au gaz naturel de ce barbecue est dangereuse et annule la garantie.
- ▲ Caractéristiques du propane (PL) :
 - a. Le propane est un gaz inflammable et dangereux si ce dernier n'est pas manipulé correctement. Il est indispensable de connaître les dangers encourus avant d'utiliser tout appareil fonctionnant au propane.
 - b. Le propane est un gaz inflammable qui risque d'exploser sous pression. Le propane qui risque d'exploser sous pression, est plus lourd que l'air, se dépose et demeure au sol.
 - c. Le propane à l'état naturel est inodore. Pour votre sécurité, un odorisant ayant l'odeur de choux avariés a été ajouté.
 - d. Tout contact du propane avec la peau risque d'entraîner des engelures. Il est nécessaire de brancher une bouteille de propane pour faire fonctionner le barbecue. Seules les bouteilles marquées « propane » peuvent être utilisées.
- ▲ La bouteille de propane doit être fabriquée, marquée et mise en service conformément à la *Réglementation sur les bouteilles de gaz de pétrole liquide établie par le Ministère des transports des États-Unis (DOT) ou répondre à la Norme nationale du Canada, CAN/CSA-B339 sur les bouteilles, sphères et tubes destinés au transport de produits dangereux et la commission.*
- ▲ La bouteille de propane doit être placée et homologuée afin de permettre l'extraction des vapeurs de gaz.
- ▲ La bouteille de propane doit posséder un col afin de protéger le robinet et la soupape de commande de la bouteille.
- ▲ Ne jamais utiliser une bouteille de propane si le corps, la soupape, le col ou le socle sont endommagés.
- ▲ Toute bouteille bosselée ou présentant des traces de rouille risque d'être dangereuse et devrait être vérifiée par votre fournisseur avant de l'utiliser.
- ▲ Ne pas laisser tomber la bouteille ni la manipuler brusquement ou brutalement!
- ▲ Les bouteilles de gaz doivent être stockées à l'extérieur, hors de portée des enfants et ne doivent pas être entreposées dans un bâtiment, un garage ou dans tout autre lieu fermé. Les bouteilles de gaz ne doivent jamais être entreposées dans un endroit où la température risque de dépasser 51,6°C (125°F).
- ▲ Ne jamais garder une bouteille de propane pleine dans une voiture ou dans le coffre d'une voiture sous une forte chaleur. La chaleur peut provoquer une augmentation de la pression du gaz, pouvant provoquer l'ouverture de la soupape de sécurité et lui permettre de s'échapper.
- ▲ Placer un capuchon cache-pousière sur la sortie du robinet de la bouteille lorsque la bouteille n'est pas utilisée. Installer uniquement le type de capuchon cache-pousière sur la sortie du robinet de la bouteille de gaz qui est fourni avec le robinet de la bouteille. L'emploi d'autres types de capuchons ou de bouchons risque d'entraîner une fuite de propane.
- ▲ Débrancher la bouteille lorsqu'elle n'est pas utilisée.
- ▲ Ne jamais entreposer une bouteille de propane de recharge sous ou à proximité de cet appareil.
- ▲ Ne jamais remplir la bouteille de propane à plus de 80% de sa capacité.
- ▲ Les consignes ci-dessus doivent être strictement respectées et le non-respect de ces consignes risque de provoquer un incendie et d'entraîner des dégâts matériels ou des blessures graves, voire la mort.
- ▲ Ne jamais essayer de raccorder ce barbecue au circuit de propane d'une caravane, autocaravane ou de votre maison.
- ▲ La prise d'alcool, de médicaments ou de drogues risque de nuire à l'aptitude de l'utilisateur à utiliser cet appareil en toute sécurité.
- ▲ Ne jamais utiliser de charbon de bois, de liquide allume-barbecue, de pierres de lave, d'essence, de kérosène ou d'alcool avec ce barbecue.
- ▲ Votre barbecue a été vérifié en usine afin de s'assurer que les raccords ne présentent aucune fuite. Vérifier à nouveau tous les raccords en suivant les instructions du chapitre "Fonctionnement" du manuel car il est possible qu'ils se soient desserrés lors du transport.
- ▲ Vérifier que l'appareil ne présente aucune fuite même si ce dernier a été assemblé pour vous par quelqu'un d'autre.
- ▲ Ne pas utiliser le barbecue en cas de fuite de gaz. Toute fuite de gaz risque de provoquer un incendie ou une explosion.
- ▲ Il est obligatoire de suivre toutes les procédures de détection de fuite avant d'utiliser cet appareil. Afin d'éviter tout risque d'incendie et d'explosion lorsque l'on recherche une fuite :
 - a. Vérifier que le circuit ne présente pas de fuite en effectuant un "test d'étanchéité" avant d'allumer le barbecue à chaque fois que la bouteille de gaz est branchée afin de l'utiliser.
 - b. Interdiction de fumer. Ne pas utiliser ni laisser de sources d'ignition à proximité du barbecue lorsque l'on recherche une fuite.
 - c. Effectuer le test d'étanchéité en plein air, dans un emplacement bien aéré.

- d. Ne pas utiliser d'allumettes, de briquets ou de flamme nue afin de rechercher une fuite.
- e. Ne pas utiliser le barbecue avant d'avoir réparé toute les fuites. S'il s'avère impossible d'arrêter une fuite, débrancher la bouteille de propane. Contacter un réparateur ou votre fournisseur de bouteilles de propane. Ne pas utiliser ni entreposer d'essence ou de liquides et autres vapeurs inflammables à moins de 7,62 m de cet appareil.
- ▲ Ne pas utiliser le barbecue en présence de vapeurs et émanations explosives. Veiller à ce que la zone autour du barbecue demeure dégagée et dépourvue de matières combustibles, d'essence et d'autres liquides et vapeurs inflammables.
- ▲ La distance de sécurité minimum entre l'appareil et toute construction combustible est de 53 cm sur les côtés et de 53 cm à l'arrière. Ne pas utiliser cet appareil sous une structure combustible suspendue ou en saillie.
- ▲ Il est primordial que le compartiment de la soupape de commande du barbecue, les brûleurs et les passages par où l'air circule demeurent propres. Vérifier le barbecue avant chaque utilisation.
- ▲ Ne modifier en aucune façon le barbecue.
- ▲ Ne pas utiliser le barbecue à moins qu'il ne soit COMPLÈTEMENT assemblé et que les pièces ne soient toutes fixées et serrées.
- ▲ Ce barbecue doit être vérifié et nettoyé en entier régulièrement. Nettoyer et inspecter le tuyau à chaque fois, avant d'utiliser l'appareil. En cas d'abrasion, usure, de coupures ou de fuite, le tuyau doit être remplacé avant que cet appareil ne soit mis en fonctionnement.
- ▲ Utiliser uniquement le régulateur et le tuyau fournis. Le régulateur et le tuyau de recharge doivent être ceux spécifiés par le fabricant.
- ▲ Utiliser uniquement des pièces agréées de l'usine Blue Rhino Global Sourcing, Inc. L'emploi de toute pièce non agréée peut être dangereuse et entraînera l'annulation de la garantie.
- ▲ Ne pas utiliser cet appareil avant de lire le chapitre « Fonctionnement » de ce manuel.
- ▲ Ne pas toucher les pièces métalliques du barbecue avant qu'il n'ait complètement refroidi (attendre environ 45 minutes) afin de ne pas se brûler à moins de porter des vêtements de protection (gants, maniques, attirail de barbecue, etc.).
- ▲ Lors de la cuisson, conserver toujours à portée de main des articles ou matières capables d'éteindre le feu. En cas de feu de graisse, ne tentez pas d'éteindre le feu avec de l'eau. Utiliser un extincteur à poudre BC ou étouffez le feu avec de la terre, du sable ou du bicarbonate de soude.
- ▲ Ne pas installer ni utiliser cet appareil à bord d'un bateau ou d'un véhicule récréatif.
- ▲ Ne pas utiliser le barbecue par grand vent.
- ▲ Ne jamais se pencher au-dessus du barbecue pour l'allumer.
- ▲ Ne jamais laisser un barbecue allumé sans surveillance surtout si des enfants ou des animaux domestiques et de compagnie sont à proximité.
- ▲ Ne pas essayer de déplacer le barbecue quand il est allumé. Laisser le barbecue refroidir avant de le déplacer ou de le remiser.
- ▲ Le remplissage du barbecue à l'extérieur est autorisé seulement si la bouteille a été débranchée et retirée de l'appareil et correctement entreposée à l'extérieur.
- ▲ Veiller à toujours ouvrir le couvercle du barbecue lentement et avec précaution car la chaleur et la vapeur piégées à l'intérieur risquent de provoquer de graves brûlures.
- ▲ Ne pas tenter de débrancher le régulateur de gaz de la bouteille ou de débrancher une pièce quelconque de l'alimentation du gaz lorsque le barbecue est allumé.
- ▲ Placer toujours le barbecue sur une surface plane et dure. Il est déconseillé de le placer sur de l'asphalte ou du bitume.
- ▲ Placer les tuyaux de gaz le plus loin possible des surfaces chaudes et de l'égouttage des graisses brûlantes.
- ▲ Veiller à ce que les câbles et cordons électriques demeurent toujours loin du barbecue lorsqu'il est chaud.
- ▲ Ne pas utiliser le barbecue pour se chauffer ou pour cuisiner à l'intérieur. Des émanations TOXIQUES de monoxyde de carbone peuvent s'accumuler et provoquer l'asphyxie.
- ▲ Après une période de remisage ou si le barbecue n'a pas été utilisé pour une certaine période, s'assurer qu'il n'y a pas de fuite et que les brûleurs ne sont pas bouchés. Vérifier également que le tuyau ne présente pas de traces d'abrasion, d'usure ou de coupures.
- ▲ Le fait de ne pas maintenir le couvercle ouvert lors de l'allumage des brûleurs du barbecue ou de ne pas attendre 5 minutes afin que le gaz se dissipe au cas où le barbecue ne s'allume pas, risque de provoquer un retour de flamme explosif.
- ▲ Lorsque l'on n'utilise pas le barbecue, fermer l'alimentation du gaz au niveau de la bouteille.
- ▲ Ne jamais utiliser le barbecue sans avoir installé auparavant les diffuseurs de chaleur.
- ▲ Veiller à toujours utiliser un thermomètre à viande afin de s'assurer que la nourriture est cuite à une température adéquate.
- ▲ Porter des gants de protection pour assembler cet article.
- ▲ Ne pas forcer les pièces les unes dans les autres afin d'éviter toute blessure et éviter d'endommager cet article.
- ▲ Ne jamais recouvrir complètement la zone de cuisson avec du papier d'aluminium.
- ▲ Les consignes ci-dessus doivent être strictement respectées et le non-respect de ces consignes ci-dessus doivent être strictement respectées et le non-respect de ces consignes risque de provoquer des blessures graves voire la mort.

Barbecue d'extérieur au propane

Modèle n° GBC900W-C



AVERTISSEMENT



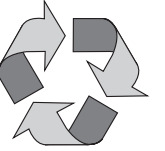
Pour usage à l'extérieur seulement
(hors de tout abri clos)

AVERTISSEMENT



1. Toute installation défectueuse ou modification incorrecte ainsi que tout mauvais réglage ou entretien incorrect risque d'entraîner des blessures ou des dégâts matériels.
2. Lire complètement les instructions d'installation, d'utilisation et d'entretien avant de procéder à la maintenance de l'appareil ou à son entretien.
3. Le non-respect de ces consignes risque de provoquer un incendie ou une explosion et entraîner des dégâts matériels, des blessures graves voir la mort.

Conservez ces instructions afin de pouvoir les consulter ultérieurement. Si vous êtes en train d'assembler cet appareil pour une autre personne, veuillez lui fournir le manuel afin qu'elle puisse le lire et le consulter plus tard.



Fabrique à partir de 70% de bagasse de canne à sucre (résidu de pulpe de canne à sucre sans danger pour l'environnement)



Fabrique en Chine pour:
Blue Rhino Global Sourcing, Inc
Winston-Salem, NC 27104 États-Unis
1.800.762.1142, www.bluerhino.com

© 2008 Blue Rhino Global Sourcing, Inc. Tous droits réservés.
UniFlame® est une marque déposée de Blue Rhino Global Sourcing, Inc. Tous droits réservés.

Table des matières

Consignes de sécurité importantes.....	Page 2
Vue éclatée des pièces et quincaillerie.....	3
Instructions d'assemblage.....	4
Installer la bouteille de propane.....	8
Insérer la bouteille de propane.....	8
Fixer la bouteille de propane.....	8
Brancher la bouteille de propane.....	8
Fonctionnement.....	8
Rechercher une fuite potentielle.....	8
Fonctionnement des brûleurs principaux.....	8
Nettoyage et entretien.....	9
Enregistrement de l'appareil.....	10
Garantie limitée.....	10
Guide de dépannage.....	11

L'utilisation et l'installation de cet appareil doivent être conformes aux codes locaux. En l'absence de codes locaux, suivez le Code national du gaz combustible, les normes ANSI Z223.1/NFPA 54, le Code d'installation du gaz naturel et du propane, CAN/CGA-B149.1 ou le Code de stockage et de manipulation du propane, B149.2.

Free Manuals Download Website

<http://myh66.com>

<http://usermanuals.us>

<http://www.somanuals.com>

<http://www.4manuals.cc>

<http://www.manual-lib.com>

<http://www.404manual.com>

<http://www.luxmanual.com>

<http://aubethermostatmanual.com>

Golf course search by state

<http://golfingnear.com>

Email search by domain

<http://emailbydomain.com>

Auto manuals search

<http://auto.somanuals.com>

TV manuals search

<http://tv.somanuals.com>