

Outdoor Charcoal Barbecue Grill

Model No. CBT916LC



WARNING
FOR YOUR SAFETY:

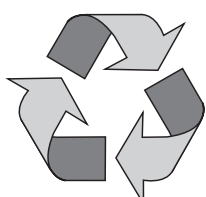
For Outdoor Use Only
(outside any enclosure)

WARNING
FOR YOUR SAFETY:

1. Improper installation, adjustment, alteration, service or maintenance can cause injury or property damage.
2. Read the installation, operation, and maintenance instructions thoroughly before installing or servicing this equipment.
3. Failure to follow these instructions could result in fire or explosion, which could cause property damage, personal injury, or death.

Table of Contents	
Important Safeguards	Page 2
Exploded View & Hardware	3
Assembly Instructions	4
Operating Instructions	6
First Use	6
Cooking	6
Tips	6
Cleaning and Care	6
Product Registration	6
Limited Warranty	6

Save these instructions for future reference. If you are assembling this unit for someone else, give this manual to him or her to read and save for future reference.



Made from 70% Bagasse
(Environmentally Friendly Sugar
Cane Pulp By-product)

Manufactured in China for:
Blue Rhino Global Sourcing, Inc
Winston-Salem, NC USA
1.800.762.1142, www.bluerhino.com

© 2008 Blue Rhino Global Sourcing, Inc. All Rights Reserved
Blue Rhino® is a Registered Trademark of Ferrellgas, L.P.. All Rights Reserved.



▲ DANGER: Failure to follow the dangers, warning and cautions in this manual may result in serious bodily injury or death, or in a fire or an explosion causing damage to property.

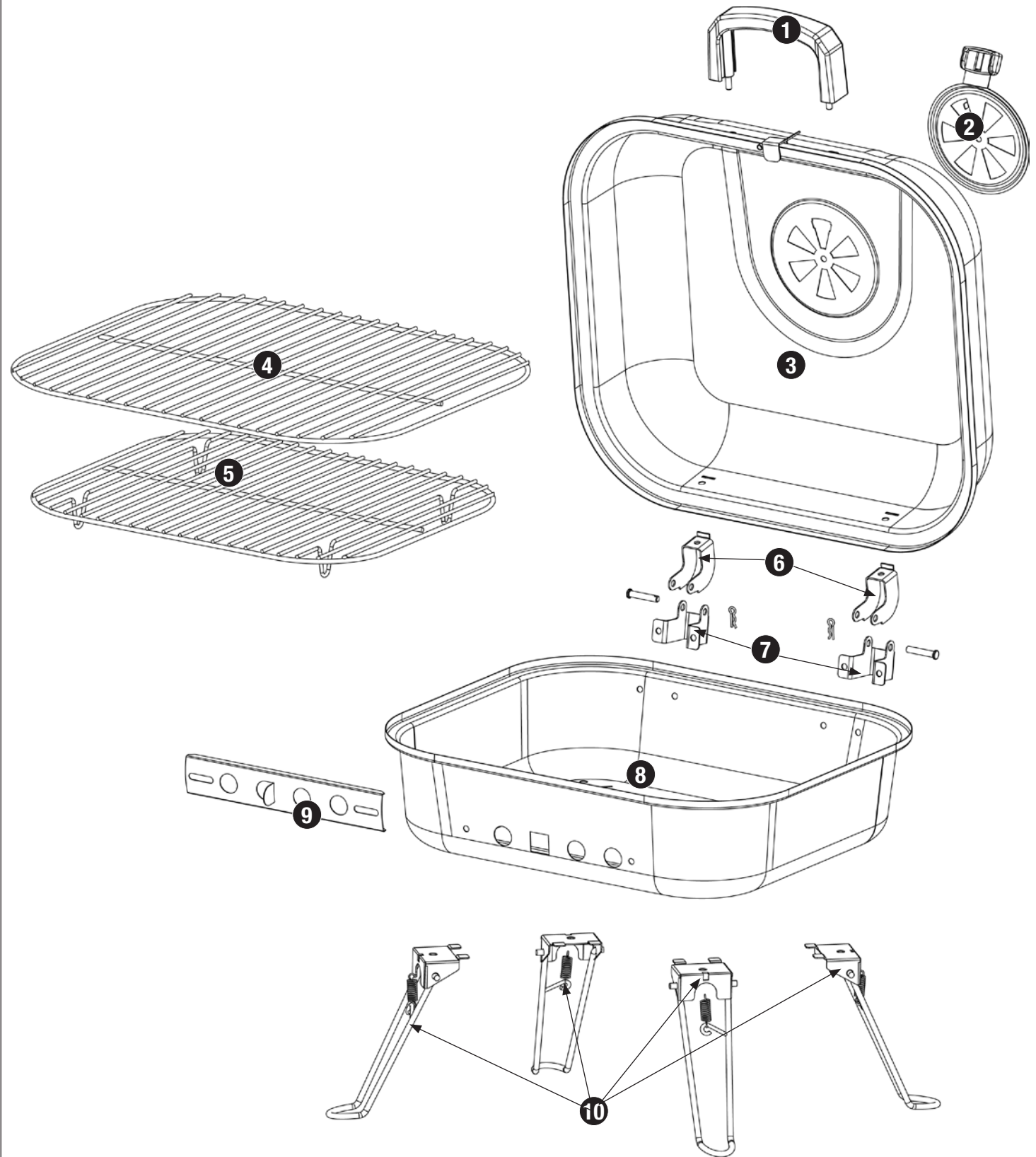
▲ WARNING:

- ▲ This grill is for outdoor use only, and shall not be used in a building, garage, or any other enclosed area.
- ▲ Do NOT operate, light or use this appliance within 8 feet of walls, structures or buildings.
- ▲ This grill is NOT for commercial use.
- ▲ Do not use grill for indoor cooking or heating. Toxic carbon monoxide fumes can accumulate and cause asphyxiation.
- ▲ Do not use gasoline, kerosene, or alcohol for lighting.
- ▲ Do not use in an explosive atmosphere. Keep grill area clear and free from combustible materials, gasoline and other flammable vapors and liquids.
- ▲ Do not store or use gasoline or other flammable liquids or vapors within 25 feet (7.62 m) of this appliance.
- ▲ Instant light charcoal can burn at very high temperatures during initial startup. Make sure lid is open until charcoal turns to hot coals.
- ▲ Keep all combustible items and surfaces at least 21 inches (53 cm) away from the grill at all times. DO NOT use this grill under any overhead or near any unprotected combustible constructions.
- ▲ Do not alter grill in any manner.
- ▲ Do not use the grill unless it is completely assembled and all parts are securely fastened and tightened.
- ▲ This grill should be thoroughly cleaned and inspected on a regular basis.
- ▲ Use only Blue Rhino Global Sourcing, Inc. factory authorized parts. The use of any part that is not factory authorized can be dangerous. This will also void your warranty.
- ▲ Do not use this appliance without reading "Operating Instructions" in this manual.
- ▲ Do not touch metal parts of grill until it has completely cooled (about 45 min.) to avoid burns, unless you are wearing protective gear (pot holders, gloves, BBQ mittens, etc.).
- ▲ Never touch grates (charcoal or cooking), ashes or coals to see if they are hot.
- ▲ Do not use on wooden decks, wooden furniture or other combustible surfaces.
- ▲ Do not use in or on boats or recreational vehicles.
- ▲ Position grill so wind can not carry ashes to combustible surfaces.
- ▲ Do not use in high winds.
- ▲ Never lean over the grill when lighting.
- ▲ Do not leave a lit grill unattended. Keep children and pets away from grill at all times.
- ▲ Do not attempt to move grill when in use. Allow the grill to cool before moving or storing.
- ▲ Always open grill lid carefully and slowly as heat and steam trapped within grill can severely burn you.
- ▲ Always place your grill on a hard, non combustible level surface. An asphalt or blacktop surface may not be acceptable for this purpose.
- ▲ Do not remove the ashes until they are completely and fully extinguished.
- ▲ Live hot briquettes and coals can create a fire hazard.
- ▲ Always empty the ash catcher and grill after each use. Do not remove the ashes until they are completely and fully extinguished.
- ▲ Do not place fuel (charcoal briquets, wood or lump charcoal) directly into bottom of grill. Place fuel only on the charcoal pan/grid.
- ▲ Check to make sure the air vents are free of debris and ash before and while you are using the grill.
- ▲ Make sure ash catcher is securely and completely in place before using the grill.
- ▲ Always wear protective gloves when adding fuel (charcoal briquets, wood or lump charcoal) to retain desired heat level.
- ▲ Keep all electrical cords away from a hot grill.
- ▲ Always use a meat thermometer to ensure food is cooked to a safe temperature.
- ▲ Never cover entire cooking area with aluminum foil.
- ▲ Please use protective gloves when assembling this product.
- ▲ Do not force parts together as this can result in personal injury or damage to the product.
- ▲ Deaths, serious injury or damage to property may occur if the above is not followed exactly.

Contact 1.800.762.1142 for assistance. Do not return to place of purchase.

Parts List		
1	Lid Handle	55-09-098
2	Lid Air Vent	55-08-367
3	Lid	55-09-097
4	Cooking Grid	55-09-095
5	Charcoal Grid	55-09-094
6	Top Hinge (2)	55-08-323
7	Bottom Hinge (2)	55-08-325
8	Bottom Bowl	55-09-093
9	Bottom Bowl Air Vent	55-08-366
10	Leg (4)	55-09-097

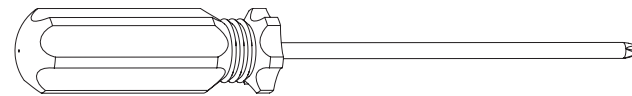
Exploded View



Hardware			
A	Screw	M4x12 Zinc Plated Phillips Truss Head	2 pcs
B	Screw	M5x12 Zinc Plated Phillips Truss Head	11 pcs
C	Wing Nut	M4 Steel Plated	2 pcs
D	Wing Nut	M5 Steel Plated	13 pcs
E	Washer	ø6.4 Heat Resistant	2 pcs
F	Lock Washer	ø5.3 Zinc Plated	6 pcs
G	Pin	ø5 x 30 Black Coated	2 pcs
H	Cotter Pin		2 pcs

Tools Required for Assembly (Not Included)

#2 Phillips Head Screwdriver



Assembly Instructions

1 DO NOT RETURN PRODUCT TO STORE.

For assistance call **1.800.762.1142** toll free. Please have your owner's manual and model number available for reference.

For Easiest Assembly:

- To avoid losing any small components or hardware, assemble your product on a hard level surface that does not have cracks or openings.
- Clear an area large enough to layout all components and hardware.
- When applicable, tighten all hardware connections by hand first. Once the step is completed go back and fully tighten all hardware.
- Follow all steps in order to properly assemble your product.

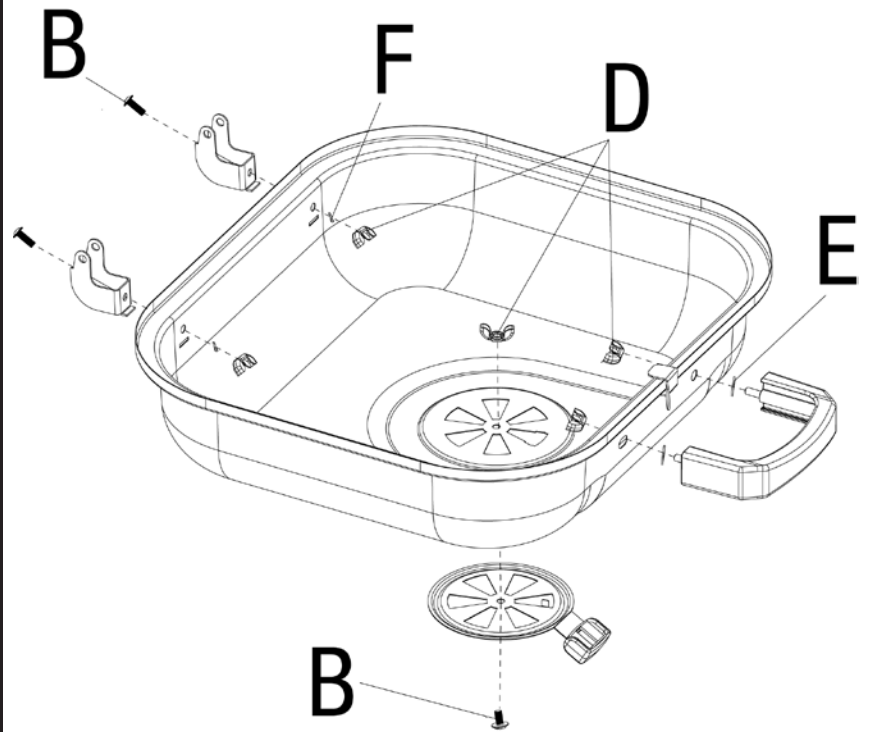
To complete assembly you will need:

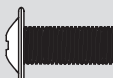
- (1) Bag of charcoal.


Note: You must follow all steps to properly assemble grill.

Typical assembly: approximately 30 (thirty) minutes.

2 Attach Lid Handle, Top Hinges and Air Vent Set



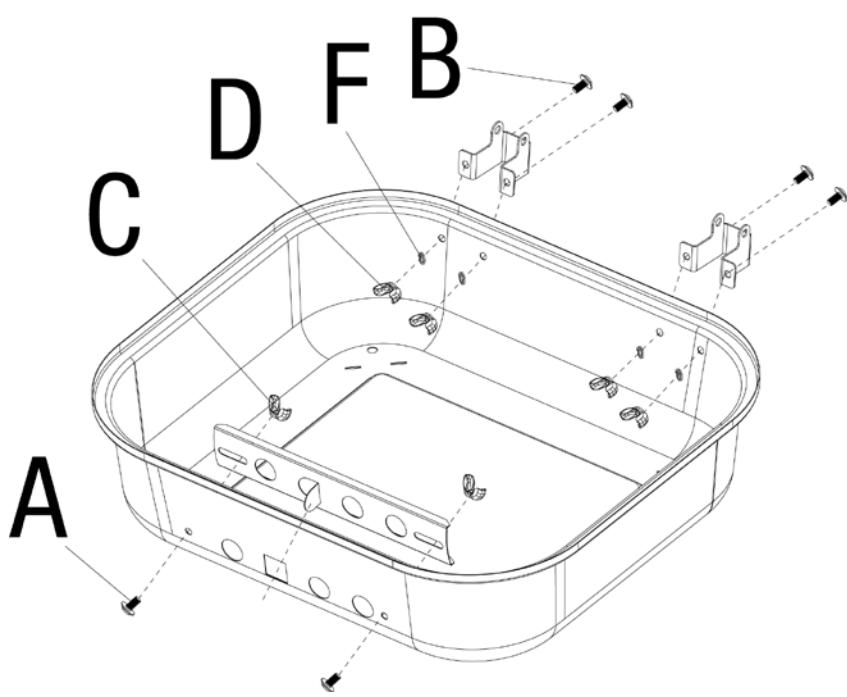
B  x 3

D  x 5

E  x 2


F  x 2

3 Attach Bottom Bowl Air Vent and Bottom Hinges

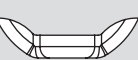


A  x 2

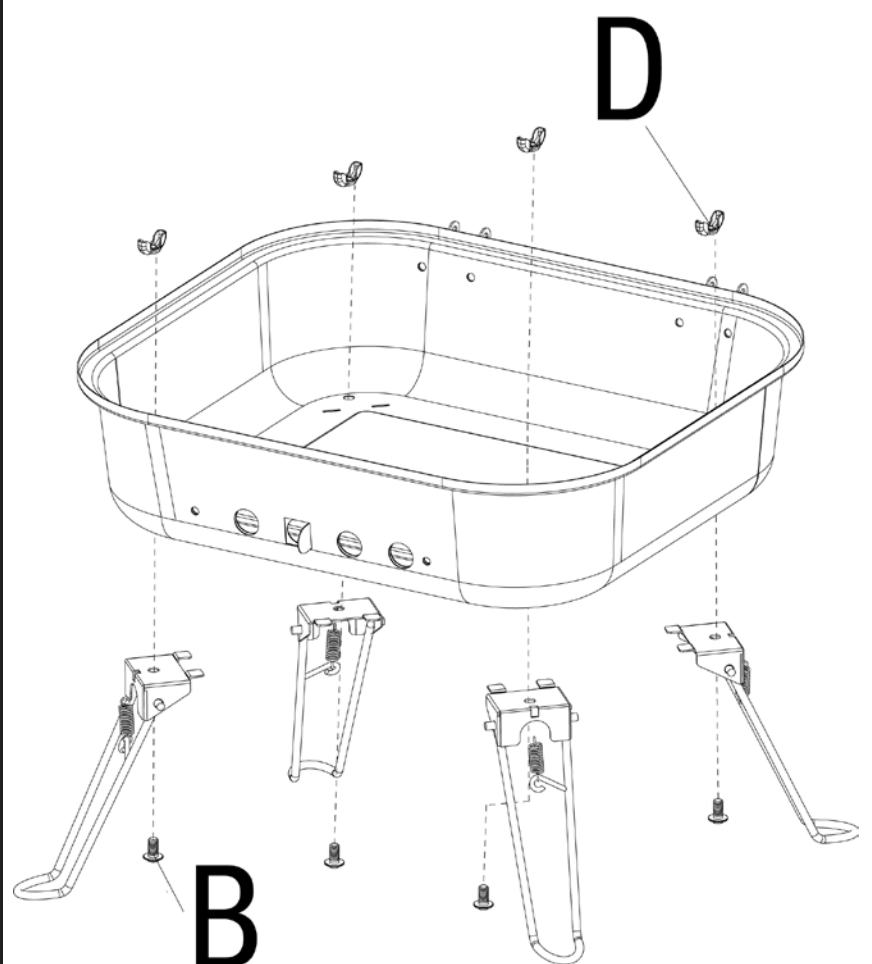
D  x 4

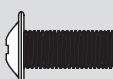
B  x 4

F  x 4

C  x 2

4 Attach Legs


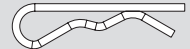


B  x 4

D  x 4

Contact 1.800.762.1142 for assistance. Do not return to place of purchase.

5 Attach Lid

G  x2 **H**  x2

6 Insert Charcoal Grid and Cooking Grid

7 Locking Lid

Unlocking Lid

8 Fold Legs

Unfold Legs



Operating Instructions

This appliance is designed for use only with quality charcoal briquets, lump charcoal and cooking wood.

First Use

1. Make sure all labels, packaging and protective films have been removed from the grill.
2. Remove manufacturing oils before cooking on this grill for the first time, by operating the grill for at least 15 minutes with the lid closed. This will "heat clean" the internal parts and dissipate odors.

▲ CAUTION: Instant light charcoal can burn at very high temperatures during initial startup. Make sure lid is open until charcoal turns to hot coals.

Lighting

1. Open lid and vents.
2. Make sure ash receiver is empty and secure.
3. Remove cooking grid.
4. Arrange and light fuel per instructions on fuel package.
5. Allow fuel time to ash into glowing coals before cooking.

Direct Cooking

Cooking directly over hot coals. Ideal for searing in juices and grilling food requiring less than 25 minutes of grilling time, such as steaks, hamburgers, hot dogs, chicken parts, vegetables and fruit.

1. Open lid and remove cooking grid.
2. Load and light charcoal per charcoal manufacturer's instructions. Leave lid open.
3. While wearing protective gloves, carefully spread hot coals evenly across charcoal grid with a long handle tool.
4. While wearing protective gloves replace cooking grid, close lid and allow grill to preheat.
5. While wearing protective gloves open lid and place food onto cooking grids above the hot coals with long handle tongs.
6. With lid open or closed, cook until desired internal food temperatures are achieved.

Note: If additional briquettes are needed, remove food from cooking grid and while wearing protective gloves remove the cooking grid and place additional briquettes without disturbing the hot coals. Carefully replace cooking grid and food.

7. Allow charcoal to burn out by closing lid and all vents. Except in the case of an emergency, do NOT pour water on hot coals.

Indirect Cooking

Not cooking directly over hot coals. Ideal for slow cooking and grilling foods requiring more than 25 minutes such as most roasts, loins, chops, whole chickens, turkey, fish and baked goods.

1. Open lid and remove cooking grid.
2. Load and light charcoal per charcoal manufacturer's instructions. Leave lid open.
3. While wearing protective gloves, carefully spread hot coals to the outsides of charcoal grid with a long handle tool.
4. While wearing protective gloves replace cooking grid, close lid and allow grill to preheat.
5. Wear protective gloves to open lid. Use long handled tools to place food onto cooking grids above the areas without hot coals.
6. With lid closed, cook until desired internal food temperatures are achieved.

Note: If additional briquettes are needed, remove food from cooking grid and while wearing protective gloves remove the cooking grid and place additional briquettes without disturbing the hot coals. Carefully replace cooking grid and food.

7. Allow charcoal to burn out by closing lid and all vents. Except in the case of an emergency, do NOT pour water on hot coals.

For more tips on indirect cooking please see "Tips for Better Cookouts and Longer Grill Life"

Tips for Better Cookouts and Longer Grill Life

1. To reduce flare-up keep grill clean, use lean cuts of meat (or trim fat) and avoid cooking on very high temperatures.
2. Place delicate foods like fish and vegetables in aluminum foil pouches and indirect cook or place on upper cooking levels (warming rack).
3. To avoid losing natural juices, use long handled tongs or spatulas instead of forks and turn foods over just once during cooking.
4. When in-direct cooking roasts and larger cuts of meat, place meat onto a roasting rack inside a heavy gauge metal pan. Place pan over the un-lit coals.
5. Try water pans to reduce flare-ups and cook juicer meats. Before starting coals remove cooking grids and place a heavy duty shallow pan directly on charcoal grid. Fill half way with water, fruit juices or other flavored liquids. Place hot coals around grid, replace cooking grids and position food over the loaded pan.
6. Enhance food flavors by using wood chips in smoker boxes or aluminum foil pouches. Follow the wood manufacturer's instructions.
7. Rotisseries, grill baskets, vertical poultry holders and other accessories can enhance your experiences, reduce cooking times and aid in clean-up.
8. Clean cooking grids and racks after every use with a quality grill brush designed for your grid material. Wear protective gloves and gently remove the build-up while grids are hot.

9. After every use, allow grill to cool. Then protect clean cooking grids with a light coat of cooking oil, clean out all ashes, wipe outside surfaces with a suitable kitchen cleaner and protect surfaces with a quality cover that is properly fits your grill.

10. Visit websites like www.bluerhino.com, watch barbecue themed TV shows or purchase related barbecue cookbooks to learn more interesting tips.

Cleaning and Care

▲ CAUTION: All cleaning and maintenance should be done when grill is cool and with the fuel supply removed.

▲ CAUTION: DO NOT clean any grill part in a self cleaning oven. The extreme heat will damage the finish.

Notices

1. Abrasive cleaners will damage this product.
2. Never use oven cleaner to clean any part of grill.
3. Do not clean any grill part in a self cleaning oven. The extreme heat will damage the finish.

Cleaning Surfaces

1. Wipe surfaces clean with mild dishwashing detergent or baking soda.
2. For stubborn surfaces use a citrus based degreaser and a nylon scrubbing brush.
3. Rinse clean with water.

Product Registration

For faster warranty service, please register your product immediately at www.bluerhino.com or call 1.800.762.1142.

Limited Warranty

Blue Rhino Global Sourcing, Inc ("Vendor") warrants to the original retail purchaser of this product, and to no other person, that if this product is assembled and operated in accordance with the printed instructions accompanying it, then for a period of one (1) year from the date of purchase, all parts in such product shall be free from defects in material and workmanship. Vendor may require reasonable proof of your date of purchase. Therefore, you should retain your sales slip or invoice. This Limited Warranty shall be limited to the repair or replacement of parts, which prove defective under normal use and service and which Vendor shall determine in its reasonable discretion upon examination to be defective. Before returning any parts, you should contact Vendor's Customer Service Department using the contact information listed below. If Vendor confirms, after examination, a defect covered by this Limited Warranty in any returned part, and if Vendor approves the claim, Vendor will replace such defective part without charge. If you return defective parts, transportation charges must be prepaid by you. Vendor will return replacement parts to the original retail purchaser, freight or postage prepaid.

This Limited Warranty does not cover any failures or operating difficulties due to accident, abuse, misuse, alteration, misapplication, improper installation or improper maintenance or service by you or any third party, or failure to perform normal and routine maintenance on the product as set out in this owner's manual. In addition, the Limited Warranty does not cover damage to the finish, such as scratches, dents, discoloration, rust or other weather damage, after purchase.

This Limited Warranty is in lieu of all other express warranties. Vendor disclaims all warranties for products that are purchased from sellers other than authorized retailers or distributors, including the warranty of merchantability or the warranty of fitness for a particular purpose. VENDOR ALSO DISCLAIMS AND ANY ALL IMPLIED WARRANTIES, INCLUDING WITHOUT LIMITATION THE IMPLIED WARRANTIES OF MERCHANTABILITY AND FITNESS FOR A PARTICULAR PURPOSE. VENDOR SHALL NO LIABILITY TO PURCHASER OR ANY THIRD PARTY FOR ANY SPECIAL, INDIRECT, PUNITIVE, INCIDENTAL, OR CONSEQUENTIAL DAMAGES. Vendor further disclaims any implied or express warranty of, and assumes no responsibility for, defects in workmanship caused by third parties.

This Limited Warranty gives the purchaser specific legal rights; a purchaser may have other rights depending upon where he or she lives. Some jurisdictions do not allow the exclusion or limitation of special, incidental or consequential damages, or limitations on how long a warranty lasts, so the above exclusion and limitations may not apply to everyone.

Vendor does not authorize any person or company to assume for it any other obligation or liability in connection with the sale, installation, use, removal, return, or replacement of its equipment, and no such representations are binding on Vendor.

Blue Rhino Global Sourcing, Inc
Winston-Salem, North Carolina USA
(800) 762-1142

Contact 1.800.762.1142 for assistance. Do not return to place of purchase.





Enregistrement de l'appareil

Pour bénéficier plus rapidement du service offert par la garantie, veuillez enregistrer cet article immédiatement sur le site internet www.bluerhino.com ou composez le 1 800 762-1142.

Garantie limitée

La société Blue Rhino Global Sourcing, Inc ("le fabricant") garantit cet article à l'acheteur initial, et à aucune autre personne, contre tout défaut de matériaux et de fabrication pendant un (1) an à partir de la date d'achat si cet article est assemblé et utilisé conformément aux instructions fournies. Le fabricant vous demandera sans doute une preuve d'achat datée, veuillez donc conserver votre facture ou votre reçu. Cette garantie se limitera à la réparation ou au remplacement de pièces ayant été déterminées défectueuses par le fabricant lors de conditions d'utilisation et d'entretien normales. Avant de renvoyer une pièce, communiquez avec le service à la clientèle du fabricant. Si le fabricant confirme le défaut de fabrication et approuve la réclamation, il remplacera gratuitement les dites pièces. Si vous devez renvoyer des pièces défectueuses, elles devront être expédiées port payé. Le fabricant s'engage à renvoyer les pièces à l'acheteur port payé.

Cette garantie limitée ne couvre pas les pannes et dysfonctionnements survenant à la suite de tout accident, mauvais usage, entretien incorrect de cet article, ou toute modification, mauvaise installation ou négligence comme il a été établi dans ce manuel. De plus, cette garantie limitée ne couvre pas les dommages au fini, à savoir les rayures, les bosses, les traces de décoloration, de rouille ou les dommages résultant des intempéries après achat.

Cette garantie remplace toute autre garantie expresse. Le fabricant désavoue toute garantie distribuée y compris toute garantie de commercialisabilité et d'adaptation à un usage particulier. LE FABRICANT DÉCLINE ÉGALEMENT TOUTE GARANTIE IMPLICITE Y COMPRIS TOUTE GARANTIE DE COMMERCIALISABILITÉ ET D'ADAPTATION À UN USAGE PARTICULIER. LE FABRICANT NE POURRA ÊTRE TENU RESPONSABLE PAR L'ACHETEUR OU UN TIERS POUR TOUTS DÉGÂTS ET DOMMAGES PARTICULIERS, INDIRECTS, PUNITIFS OU CONSÉCUTIFS. De plus, le fabricant désavoue toute garantie expresse ou implicite et décline toute responsabilité en cas de défaut de fabrication causé par un tiers.

Cette garantie limitée octroie des droits spécifiques à l'acheteur reconnus par la loi et il est possible que ce dernier en possède d'autres selon l'État ou la province où il habite. Certaines juridictions ne permettent pas l'exclusion ni la limitation de dommages spéciaux consécutifs ou accessoires ni la limitation en temps d'une garantie et ces limitations peuvent ne pas être applicables à tous.

Le fabricant ne permet en aucun cas à une personne ou à une entreprise de s'attribuer les responsabilités et les obligations liées à la vente, à l'installation, à l'utilisation, au retrait, au retour ou au remplacement de cet article, et aucune de ces représentations n'engage la responsabilité du fabricant.

Blue Rhino Sourcing, Inc
Winston-Salem, North Carolina 27104, États-Unis
1 800 762-1142



Barbecue au charbon de bois pour usage extérieur, modèle n° CBT916LC

Fonctionnement

Cet appareil a été conçu afin d'être utilisé uniquement avec des briquettes de charbon de bois de qualité, du charbon de bois en blocs et du bois.

Utilisation du barbecue pour la première fois

1. Assurez-vous d'avoir retiré toutes les étiquettes ainsi que tout le matériau d'emballage et le film protecteur du barbecue.

2. Avant de cuire quoi que ce soit sur le barbecue pour la première fois, faites-le fonctionner pendant environ 15 minutes avec le couvercle fermé. La chaleur

« nettoiera » les pièces internes et dissipera les odeurs.

⚠ ATTENTION : Le charbon de bois à allumage instantané peut brûler à une température très élevée lorsqu'on l'allume pour la première fois. S'assurer que le couvercle demeure ouvert jusqu'à ce que le charbon de bois se transforme en charbon chaud.

Allumage

1. Ouvrez le couvercle et les volets d'aération.

2. Assurez-vous que le cendrier est vide et bien fixé.

3. Retirez la grille de cuisson.

4. Placez et allumez le combustible en suivant les instructions figurant sur le sac d'emballage.

5. Laissez le combustible se transformer en charbon chaud recouvert de cendres avant la cuisson.

Pour une cuisson directe

Laissez cuire les aliments directement au-dessus des morceaux de charbons chauds. Cette

cuisson est idéale afin de retenir le jus à l'intérieur des aliments et pour les aliments tels que les biftecks, les hot-dogs, le poulet, les légumes et les fruits dont la cuisson prendra moins de

25 minutes.

1. Ouvrez le couvercle et retirez la grille de cuisson.

2. Placez le charbon de bois et allumez-le en suivant les instructions du fabricant. Laissez le

couvercle ouvert.

3. Portez des gants de protection et utilisez un outil à long manche pour disposer les

morceaux de charbon de bois chauds sur la grille à charbon de bois.

4. Remettez en place la grille de cuisson, fermez le couvercle et laissez préchauffer le

barbecue.

5. Portez des gants de protection et utilisez un outil à long manche pour disposer les aliments

sur les grilles de cuisson, au-dessus des morceaux de charbon.

6. Avec le couvercle ouvert ou fermé, laissez la nourriture cuire jusqu'à ce que la température

interne désirée des aliments soit atteinte.

Remarque: Si vous avez besoin d'ajouter des briquettes de charbon de bois, retirez les aliments. Entliez des gants de protection, retirez la grille de cuisson et placez des briquettes

supplémentaires sans déranger les morceaux de charbon chauds. Remplacez la grille de

cuisson et les aliments avec précaution.

7. Laissez le charbon de bois se consumer en fermant le couvercle et tous les volets

d'aération. Saut en cas de danger, NE PAS verser d'eau sur les morceaux de charbon

chauds.

Pour une cuisson indirecte

Cette cuisson consiste à ne pas cuire les aliments directement au-dessus des morceaux de

charbon chauds. Cette cuisson est idéale pour toute cuisson lente et pour les aliments dont la cuisson prend plus de 25 minutes comme les rôtis, les filets, les côtelettes, ainsi que les

poulets, les dindes, les poissons entiers et les produits de boulangerie.

1. Ouvrez le couvercle et retirez la grille de cuisson.

2. Placez les briquettes de charbon de bois et allumez-les en suivant les instructions du

fabricant. Laissez le couvercle ouvert.

3. Portez des gants de protection et utilisez un outil à long manche pour disposer les

morceaux de charbon de bois chauds sur la grille à charbon de bois.

4. Remettez en place la grille de cuisson, fermez le couvercle et laissez le barbecue chauffer

avant de l'utiliser.

5. Portez des gants de protection et ouvrez le couvercle. Utilisez un outil à long manche pour

disposer les aliments sur les grilles de cuisson, au-dessus des espaces de cuisson ne

contenant pas de morceaux de charbon de bois chauds.

6. Avec le couvercle fermé, laissez la nourriture cuire jusqu'à ce que la température interne

désirée des aliments soit atteinte.

Remarque: Si vous avez besoin d'ajouter des briquettes de charbon de bois, retirez les

aliments. Entliez des gants de protection, retirez la grille de cuisson et placez des briquettes

supplémentaires sans déranger les morceaux de charbon chauds. Remplacez la grille de

cuisson et les aliments avec précaution.

7. Laissez le charbon de bois se consumer en fermant le couvercle et tous les volets

d'aération. Saut en cas de danger, NE PAS verser d'eau sur les morceaux de

charbon de bois chauds.

Pour plus de conseils sur la cuisson indirecte, veuillez vous reporter à la section « Quelques

conseils pour obtenir de meilleures grillades et assurer la durabilité du barbecue ».

Nettoyage et entretien

⚠ ATTENTION : Tout nettoyage ou entretien doit être effectué lorsque le

barbecue est froid.

⚠ ATTENTION : NE placez AUCUNE pièce du barbecue dans un four

autonettoyant. La chaleur extrême endommagera le fini du barbecue.

Avis

1. N'utilisez pas de produits de nettoyage abrasifs car ils risquent d'endommager le

barbecue.

2. N'utilisez jamais de produit à nettoyer les fours sur aucune pièce du barbecue.

3. Ne placez aucune pièce du barbecue dans un four autonettoyant. La chaleur extrême

Nettoyage des surfaces du barbecue

1. Essayez les surfaces du barbecue avec un liquide à vaisselle doux ou du bicarbonate

de soude.

2. Pour les tâches coriaces, utilisez un dégraissant au citron et une brosse de nettoyage

en nylon.

3. Rincez à l'eau.

10. Consultez les sites internet tels que www.bluerhino.com, regardez les émissions consacrées à la cuisson au barbecue ou achetez des livres de cuisine sur le même thème pour des conseils utiles supplémentaires.

9. Après chaque utilisation, laissez le barbecue refroidir. Ensuite, protégez les grilles de cuisson propres en les enduisant d'une fine couche d'huile de cuisine, videz le cendrier, essayez les surfaces extérieures du barbecue en utilisant un produit de nettoyage de cuisine adéquat et protégez le barbecue en le recouvrant d'une housse de qualité suffisamment grande.

8. Nettoyez toutes les grilles après chaque utilisation au moyen d'une brosse de barbecue de

bonne qualité conçue pour le type de matériau de votre grille. Portez des gants de protection

et retirez doucement les résidus demeurés sur les grilles pendant qu'elles sont encore

chaudes.

7. Les tournebroches, les pariers pour grillades, les broches verticales pour volaille et autres

accessoires peuvent améliorer la cuisine au barbecue, réduire le temps de cuisson et faciliter

le nettoyage.

6. Réhaussez le goût des aliments en les plaçant dans des pochettes d'aluminium ou dans des

fumoirs avec des copeaux de bois. Suivez les instructions du fabricant des copeaux de bois.

5. Utilisez des rôtissoires remplies d'eau afin de réduire les feux de graisse et cuire les viandes

très juteuses. Avant d'allumer le barbecue, retirez les grilles de cuisson et placez une

rôtissoire peu profonde directement sur la grille à charbon de bois. Remplissez-la à moitié

d'eau, de jus de fruits ou de tout autre liquide aromatisé. Disposez les morceaux de charbon

de bois chauds autour de la grille, remettez en place les grilles de cuisson et placez les

aliments au-dessus rôtissoire.

4. Dans le cas d'une cuisson indirecte pour les rôtis et les grosses tranches de viande, placez la

viande sur une grille de cuisson dans une rôtissoire. Placez cette dernière sur les briquettes

spatiales au lieu de fourchettes et retournez les aliments une seule fois pendant la cuisson.

3. Pour éviter que les aliments ne perdent leur jus, utilisez des pinces de cuisine ou des

placez-les sur la grille de cuisson supérieure (grille de maintien au chaud).

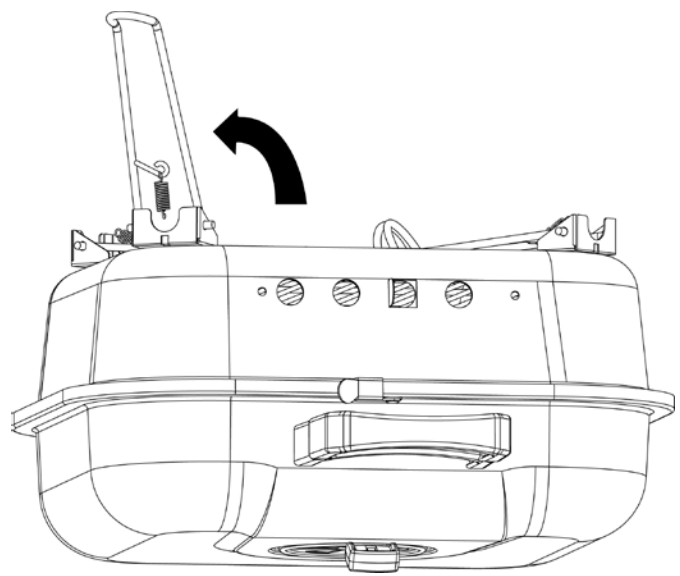
2. Placez les aliments délicats tels que le poisson et les légumes dans du papier d'aluminium et

viande mince (découpez le gras) et évitez de cuire à de très hautes températures.

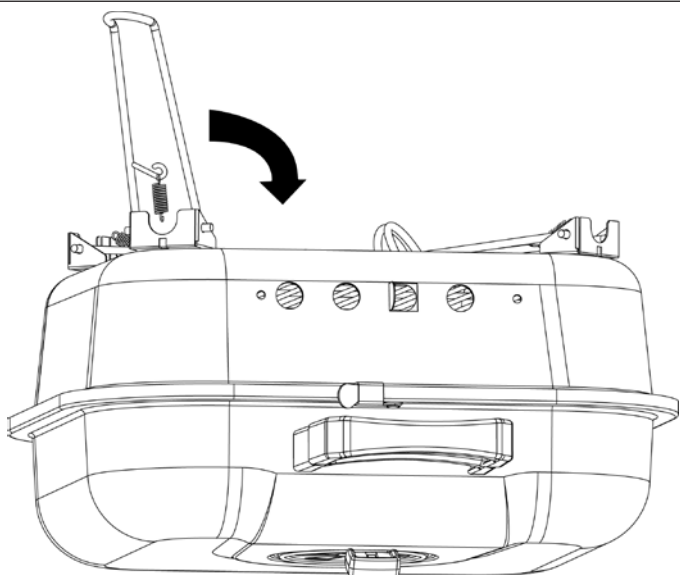
1. Pour réduire les feux de graisse, veillez à ce que le barbecue demeure propre, utilisez de la

assurer la durabilité du barbecue

Quelques conseils pour obtenir de meilleures grillades et

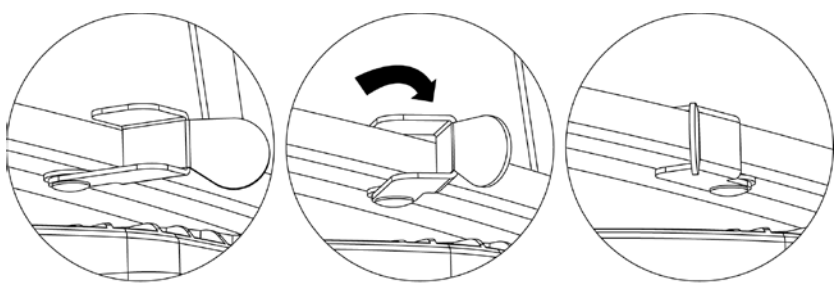


Dépliez les pieds



Repliez les pieds

8

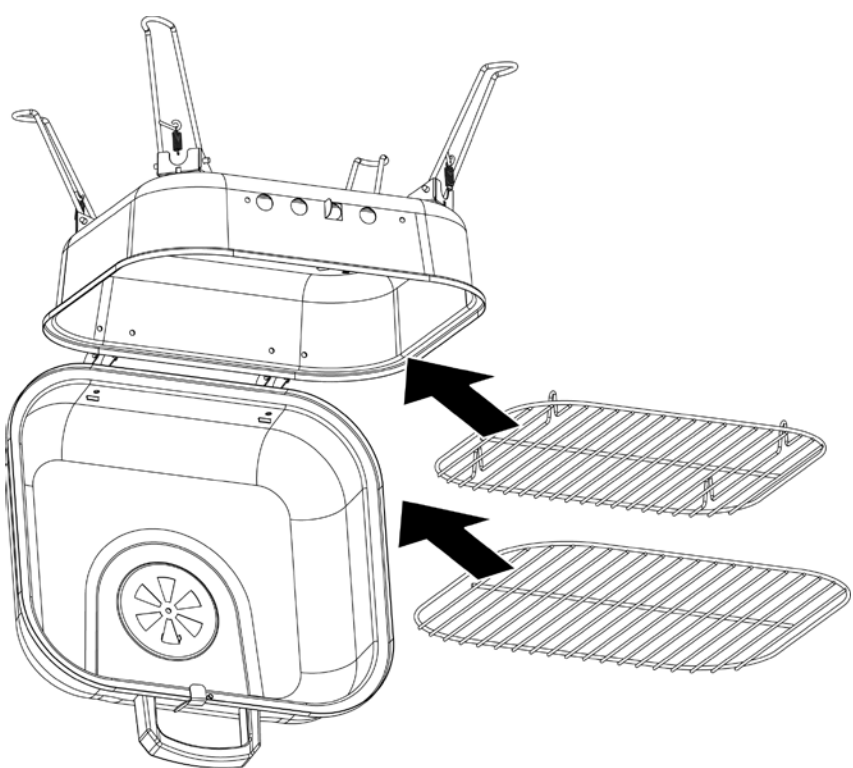


Déverrouillez le couvercle



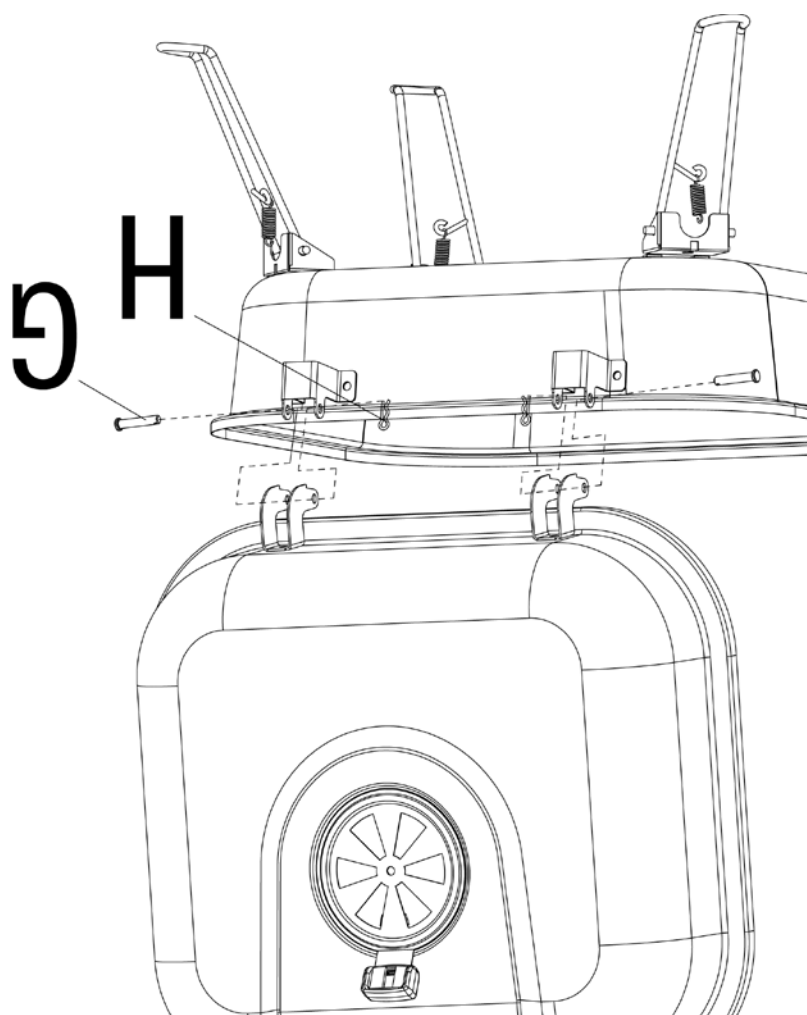
Verrouillez le couvercle

7



Placez la grille à charbon de bois et la grille de cuisson

6



Fixez le couvercle

5

G x 2 H x 2



1 NE PAS RETOURNER CET ARTICLE AU DÉTAILLANT.

Pour toute assistance technique, composez le numéro sans frais 1 800 762-1142. Faites en sorte que votre manuel d'utilisation et le numéro du modèle soient à portée de main afin de pouvoir vous y référer.

Pour faciliter l'assemblage:

- Pour éviter de perdre des petites pièces ou la quincaillerie, assemblez cet article sur une surface dure et plane qui ne comporte pas de trous ni de fissures.
- Prévoyez une surface de travail suffisamment grande afin d'étaler toutes les pièces et la quincaillerie.
- Lorsqu'il est possible de le faire, commencez d'abord par visser à la main toutes les fixations. Puis, une fois l'étape terminée, serrez-les entièrement.
- Suivez toutes les étapes dans l'ordre afin d'assembler correctement cet article.

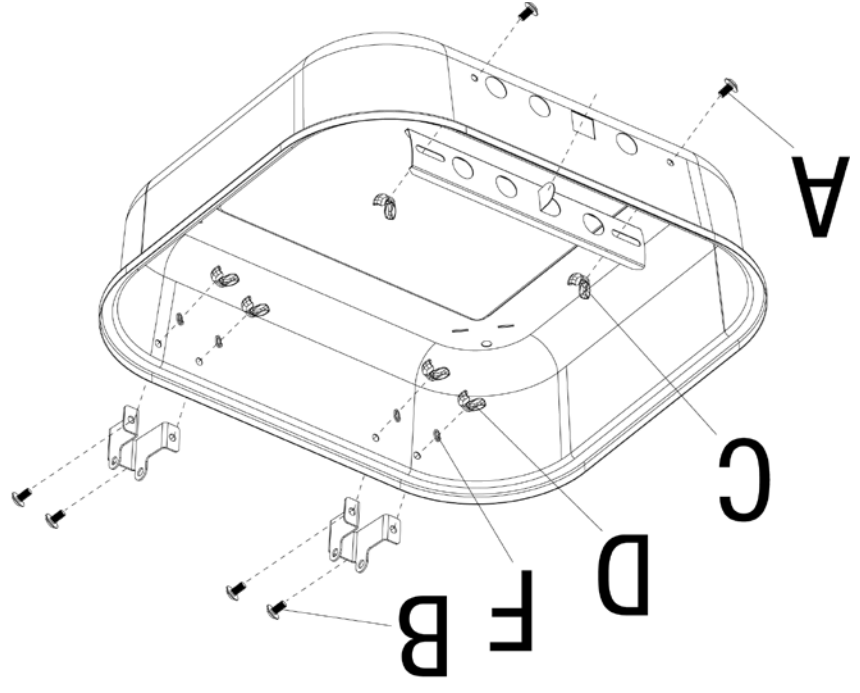
Pour effectuer l'assemblage, vous aurez besoin de ceci :

- (1) sac de charbon de bois
- Remarque :* Veuillez suivre toutes les étapes dans l'ordre afin d'assembler correctement le barbecue.

Temps d'assemblage : environ 30 minutes.

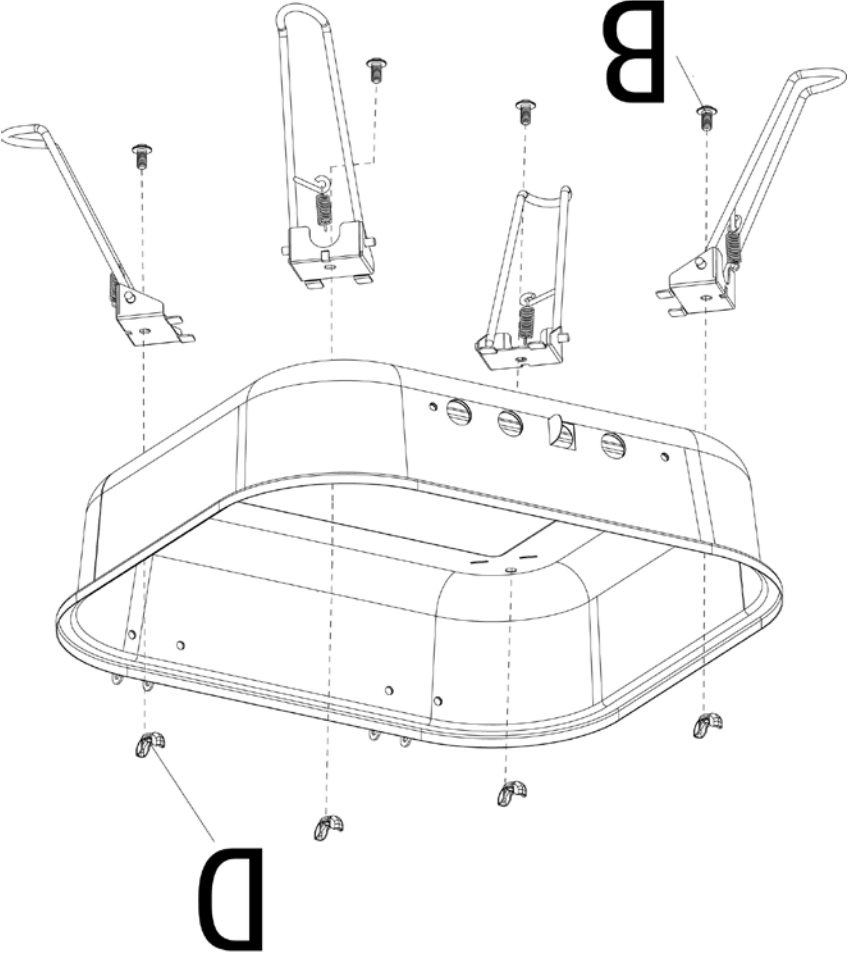
1

3 Fixez le volet d'aération de la cuve et les charnières inférieures



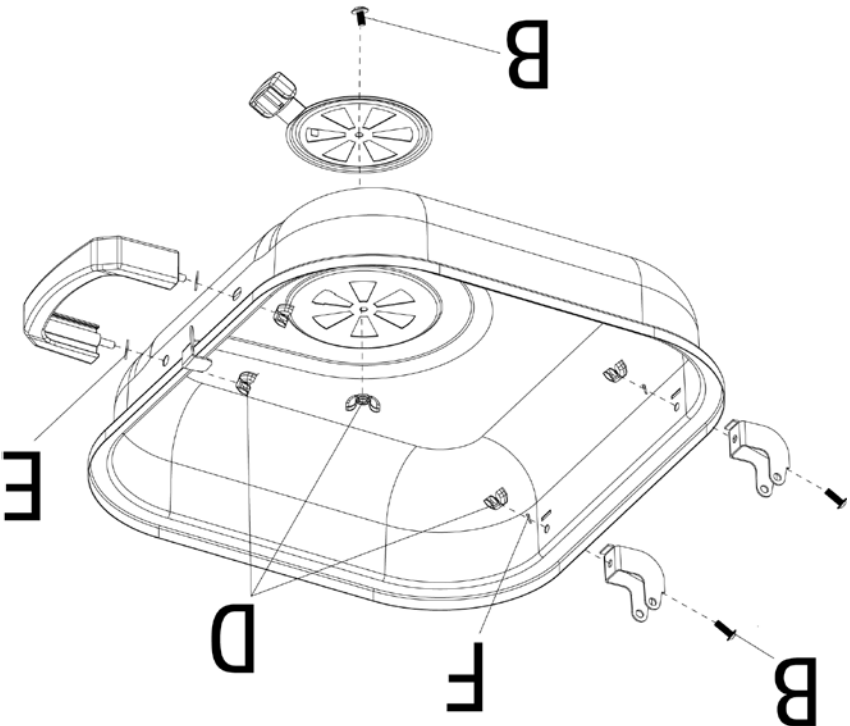
3

4 Fixez les pieds



4

2 Fixez la poignée du couvercle, les charnières supérieures et le volet d'aération



2

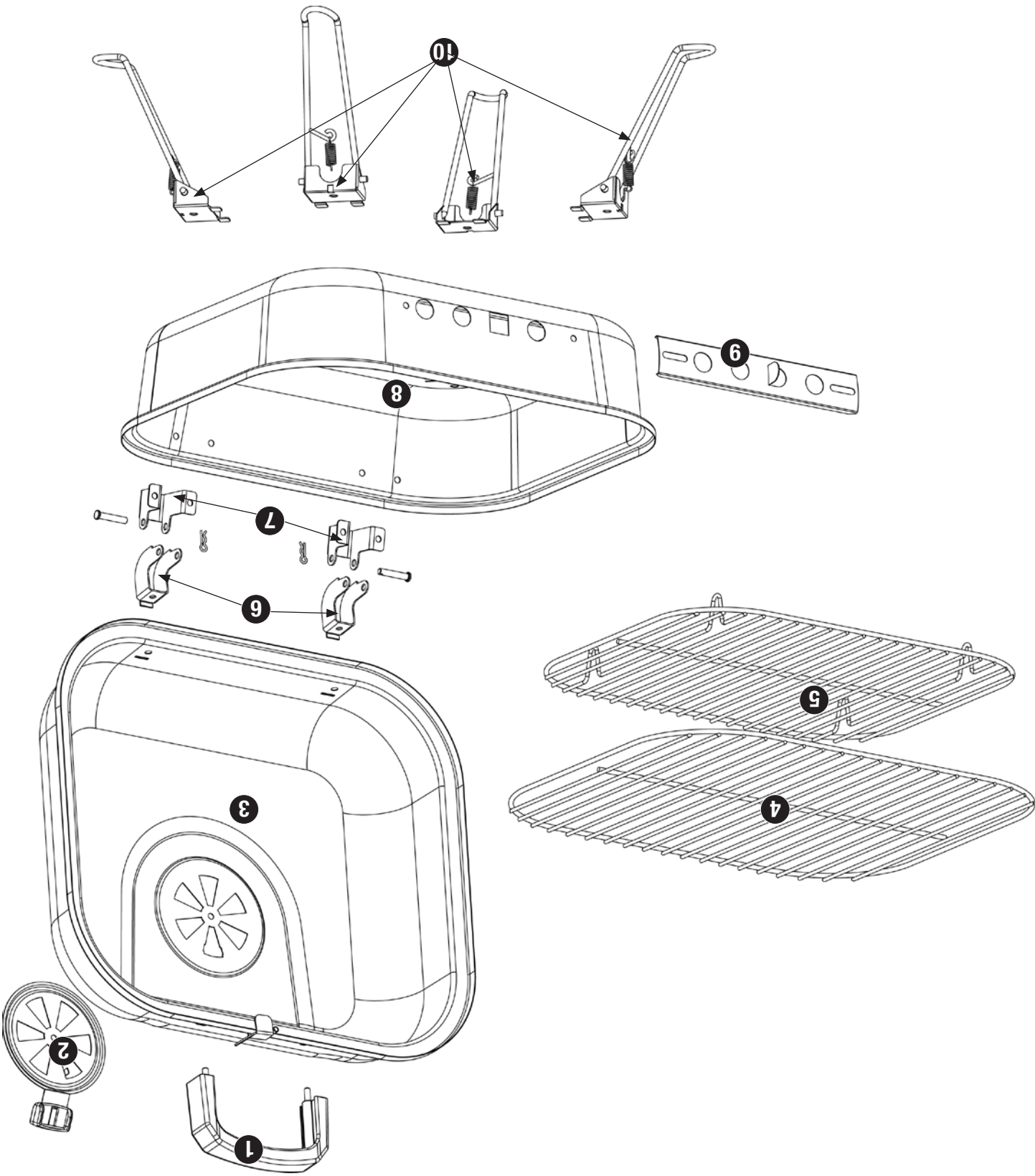
Pour effectuer l'assemblage, vous aurez besoin de ceci :

- B x 3
- D x 5
- E x 2
- F x 2

Liste des pièces

1	Poignée du couvercle	55-09-098
2	Volet d'aération du couvercle	55-08-367
3	Couvercle	55-09-097
4	Grille de cuisson	55-09-095
5	Grille à charbon de bois	55-09-094
6	Charnière supérieure (2)	55-08-323
7	Charnière inférieure (2)	55-08-325
8	Cuve du barbecue	55-09-093
9	Volet d'aération de la cuve	55-08-366
10	Pied (4)	55-09-097

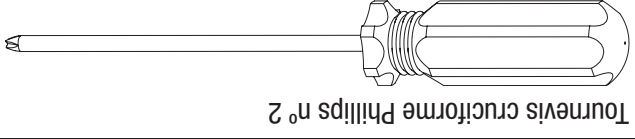
Vue éclatée



Quincaillerie

A	Vis	Galvanisée, à tête bombée Phillips, M4x12	2 pièces
B	Vis	Galvanisée, à tête bombée Phillips, M5x12	11 pièces
C	Écrou à oreilles	Acier, M4	2 pièces
D	Écrou à oreilles	Acier, M5	13 pièces
E	Rondelle	Résistante à la chaleur, Ø6,4	2 pièces
F	Rondelle de blocage	Galvanisée, Ø5,3	6 pièces
G	Goupille	Noire, Ø5 x 30	2 pièces
H	Goupille fendue		2 pièces

Outil requis pour l'assemblage (fourni)



Tournevis cruciforme Phillips n° 2



Barbecue au charbon de bois pour usage extérieur, modèle n° CBT916LC

▲ DANGER : Le non-respect des avis de danger, des mises en garde et des consignes de sécurité de ce manuel risque de provoquer un incendie ou une explosion et d'entraîner des dégâts matériels, des blessures graves ou un décès.

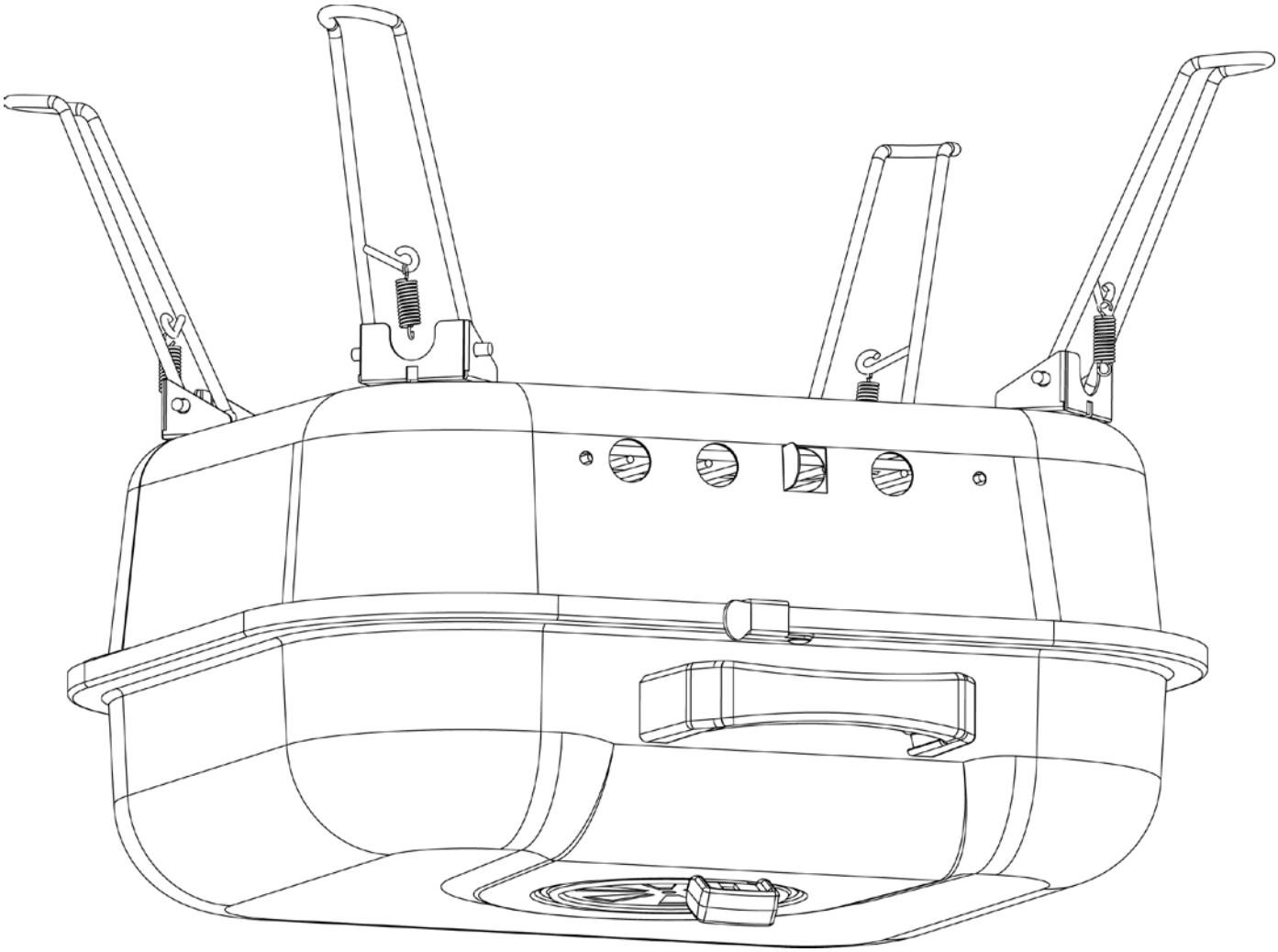
▲ AVERTISSEMENT :

- ▲ Ce barbecue doit être utilisé uniquement à l'extérieur et ne doit pas être utilisé dans un immeuble, un garage ou tout autre espace clos.
- ▲ NE PAS utiliser ou allumer cet appareil à moins de 2,4 m de tout mur, construction ou immeuble.
- ▲ Ce barbecue N'EST PAS destiné à un usage commercial.
- ▲ Ne pas utiliser le barbecue pour se chauffer ou pour cuisiner à l'intérieur. Des émanations toxiques de monoxyde de carbone peuvent s'accumuler et provoquer l'asphyxie.
- ▲ Ne jamais utiliser de l'essence, du kérosène ou de l'alcool pour allumer le barbecue.
- ▲ Ne pas utiliser le barbecue en présence de vapeurs ou d'émanations explosives. Veiller à ce que la zone autour du barbecue demeure dégagée et dépourvue de matières combustibles, d'essence et d'autres liquides et vapeurs inflammables.
- ▲ Ne pas utiliser ni entreposer d'essence ou de liquide qui pourraient produire des vapeurs inflammables à moins de 7,62 m de cet appareil.
- ▲ Le charbon de bois à allumage instantané peut brûler à une température très élevée lorsqu'on l'allume pour la première fois. S'assurer que le couvercle demeure ouvert jusqu'à ce que le charbon de bois devienne chaud.
- ▲ S'assurer que toute surface et matière combustible se trouve toujours à un minimum de 53 cm du barbecue. NE PAS utiliser ce barbecue sous un abri, une structure suspendue ou en saillie ou à proximité de toute construction combustible non protégée.
- ▲ Ne pas modifier le barbecue de quelque façon que ce soit.
- ▲ Ne pas utiliser le barbecue à moins qu'il ne soit complètement assemblé et que toutes les pièces ne soient fixées et serrées.
- ▲ Ce barbecue doit être vérifié et nettoyé en entier régulièrement.
- ▲ Utiliser uniquement des pièces agréées de l'usine Blue Rhino Global Sourcing, Inc. L'emploi de toute pièce non agréée peut être dangereux et entraînera l'annulation de la garantie.
- ▲ Ne pas utiliser cet appareil avant avoir lu le chapitre « Fonctionnement » de ce manuel.
- ▲ Ne pas toucher les pièces métalliques du barbecue avant qu'il ne soit complètement refroidi (attendre environ 45 minutes) afin de ne pas se brûler, à moins d'utiliser des articles de protection (poignée, gants, mitaines pour le barbecue, etc.).
- ▲ Ne pas toucher les grilles (du charbon et de cuisson), les cendres ni les briquettes de charbon de bois afin de vérifier si elles sont chaudes.
- ▲ Ne pas utiliser cet appareil sur une terrasse en bois, des meubles en bois ou sur toute autre surface combustible.
- ▲ Ne pas installer ni utiliser cet appareil à bord d'un bateau ou d'un véhicule récréatif.
- ▲ Placer le barbecue de manière à ce que le vent ne puisse emporter des cendres jusqu'à des surfaces combustibles.

- ▲ Ne pas utiliser le barbecue sur une surface plane, dure et non combustible. Il est déconseillé de le placer sur un revêtement bitumineux.
- ▲ N'enlever les cendres que lorsqu'elles sont complètement éteintes.
- ▲ Les briquettes chaudes et les morceaux de charbon chaud peuvent provoquer un incendie.
- ▲ Veiller à toujours vider le cendrier et le barbecue après chaque utilisation. N'enlever les cendres que lorsqu'elles sont complètement éteintes.
- ▲ Ne pas placer de combustible (briquettes de charbon de bois, bois ou morceaux de charbon) directement dans le fond du barbecue. Placer le combustible uniquement sur la grille ou la plaque à charbon de bois.
- ▲ S'assurer que les volets d'aération ne comportent pas de débris ni de cendre avant de se servir du barbecue et tout au long de son utilisation.
- ▲ S'assurer que le cendrier est installé de façon sécuritaire avant d'utiliser le barbecue.
- ▲ Porter toujours des gants de protection pour ajouter du combustible afin de maintenir le niveau de chaleur désiré.
- ▲ Veiller à ce que les câbles et cordons électriques demeurent toujours loin du barbecue lorsqu'il est chaud.
- ▲ Utiliser toujours un thermomètre à viande afin de s'assurer que la nourriture est cuite à une température adéquate.
- ▲ Ne jamais recouvrir la totalité de l'espace de cuisson avec du papier d'aluminium
- ▲ Porter des gants de protection pour assembler cet article.
- ▲ Ne pas forcer les pièces les unes dans les autres afin d'éviter les blessures et prévenir tout dommage à l'article.
- ▲ Le non-respect des consignes qui précèdent peut entraîner des dommages matériels, des blessures graves ou la mort.

Barbecue d'extérieur au charbon de bois

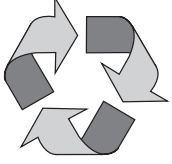
Modèle n° CBT916LC



AVERTISSEMENT
POUR VOTRE SÉCURITÉ
 Pour usage à l'extérieur seulement
 (hors de tout abri clos)

AVERTISSEMENT
POUR VOTRE SÉCURITÉ

1. Toute installation ou modification incorrecte ou tout réglage ou entretien défectueux risque d'entraîner des blessures ou des dégâts matériels.
2. Lisez attentivement les instructions avant de procéder à l'installation, à l'utilisation ou à l'entretien de l'appareil.
3. Le non-respect de ces consignes risque de provoquer un incendie ou une explosion et entraîner des dégâts matériels, des blessures graves ou un décès.



Imprimé sur du papier
 contenant 70 % de bagasse

Fabriquée en Chine pour :
 Blue Rhino Global Sourcing, Inc
 Winston-Salem, NC États-Unis
 1 800 762-1142, www.bluerhino.com

© 2008 Blue Rhino Global Sourcing, Inc. Tous droits réservés.
 Blue Rhino® est une marque déposée de Ferrelgas, L.P. Tous droits réservés.

Table des matières	
Consignes de sécurité importantes.....	page 2
Vue éclatée des pièces et quincaillerie	3
Instructions pour l'assemblage.....	4
Fonctionnement	6
Utilisation du barbecue pour la première fois	6
Cuisson.....	6
Conseils	6
Nettoyage et entretien	6
Enregistrement de l'appareil.....	7
Garantie limitée	7

Conservez ces instructions afin de pouvoir les consulter ultérieurement. Si vous assemblez cet appareil pour une autre personne, veuillez lui fournir le manuel afin qu'elle puisse le consulter plus tard.

Free Manuals Download Website

<http://myh66.com>

<http://usermanuals.us>

<http://www.somanuals.com>

<http://www.4manuals.cc>

<http://www.manual-lib.com>

<http://www.404manual.com>

<http://www.luxmanual.com>

<http://aubethermostatmanual.com>

Golf course search by state

<http://golfingnear.com>

Email search by domain

<http://emailbydomain.com>

Auto manuals search

<http://auto.somanuals.com>

TV manuals search

<http://tv.somanuals.com>