

**BUILT-IN OVEN
EINBAUHERDE**

BEO 7422

**User manual
Gebrauchsanleitung**

Blomberg

Please read this user manual first!

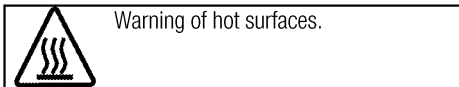
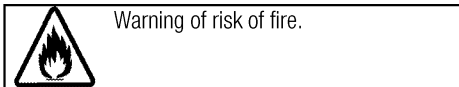
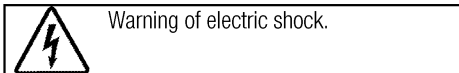
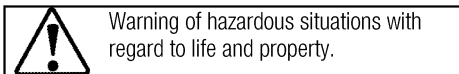
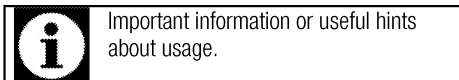
Dear Customer,

Thank you for purchasing this Blomberg product. We hope that you get the best results from your product which has been manufactured with high quality and state-of-the-art technology. Therefore, please read this entire user manual and all other accompanying documents carefully before using the product and keep it as a reference for future use. If you handover the product to someone else, give the user manual as well. Follow all warnings and information in the user manual.

Remember that this user manual is also applicable for several other models. Differences between models will be identified in the manual.

Explanation of symbols

Throughout this user manual the following symbols are used:



Arçelik A.Ş.
Karaağaç caddesi No:2-6
34445 Sütlüce/İstanbul/TURKEY
Made in TURKEY

TABLE OF CONTENTS

1 Important instructions and warnings for safety and environment 4

General safety.....	4
Electrical safety.....	4
Product safety.....	5
Intended use.....	6
Safety for children.....	6
Disposing of the old product.....	7
Package information.....	7

2 General information 8

Overview.....	8
Package contents.....	9
Technical specifications.....	9

3 Installation 10

Before installation.....	10
Installation and connection.....	13
Future Transportation.....	14

4 Preparation 15

Tips for saving energy.....	15
Initial use.....	15
Time setting.....	15
First cleaning of the appliance.....	16
Initial heating.....	16

5 How to operate the oven 17

General information on baking, roasting and grilling.....	17
How to operate the electric oven.....	17
Operating modes.....	18
Using the oven clock.....	19
Using the keylock.....	20
Using the clock as an alarm.....	20
Cooking times table.....	21
How to operate the grill.....	22
Cooking times table for grilling.....	22

6 Maintenance and care 23

General information.....	23
Cleaning the control panel.....	23
Cleaning the oven.....	23
Removing the oven door.....	23
Removing the door inner glass.....	24
Replacing the oven lamp.....	25

7 Troubleshooting 26

1 Important instructions and warnings for safety and environment

This section contains safety instructions that will help protect from risk of personal injury or property damage. Failure to follow these instructions shall void any warranty.

General safety

- This appliance can be used by children aged from 8 years and above and persons with reduced physical, sensory or mental capabilities or lack of experience and knowledge if they have been given supervision or instruction concerning use of the appliance in a safe way and understand the hazards involved.
Children shall not play with the appliance. Cleaning and user maintenance shall not be made by children without supervision.
- Installation and repair procedures must always be performed by Authorized Service Agents. The manufacturer shall not be held responsible for damages arising from procedures carried out by unauthorized persons which may also void the warranty. Before installation, read the instructions carefully.
- Do not operate the product if it is defective or has any visible damage.

- Control that the product function knobs are switched off after every use.

Electrical safety

- If the product has a failure, it should not be operated unless it is repaired by the Authorized Service Agent. There is the risk of electric shock!
- Only connect the product to a grounded outlet/line with the voltage and protection as specified in the "Technical specifications". Have the grounding installation made by a qualified electrician while using the product with or without a transformer. Our company shall not be liable for any problems arising due to the product not being earthed in accordance with the local regulations.
- Never wash the product by spreading or pouring water onto it! There is the risk of electric shock!
- never touch the plug with wet hands! Never unplug by pulling on the cable, always pull out by grabbing the plug.
- The product must be unplugged during installation, maintenance, cleaning and repairing procedures.

- If the power connection cable for the product is damaged, it must be replaced by the manufacturer, its service agent or similiary qualified persons in order to avoid a hazard.
- The appliance must be installed so that it can be completely disconnected from the network. The separation must be provided either by a mains plug, or a switch built into the fixed electrical installation, according to construction regulations.
- Rear surface of the oven gets hot when it is in use. Make sure that the electrical connection does not contact the rear surface; otherwise, connections can get damaged.
- Do not trap the mains cable between the oven door and frame and do not route it over hot surfaces. Otherwise, cable insulation may melt and cause fire as a result of short circuit.
- Any work on electrical equipment and systems should only be carried out by authorized and qualified persons.
- In case of any damage, switch off the product and disconnect it from the mains. To do this, turn off the fuse at home.
- Make sure that fuse rating is compatible with the product.

Product safety

- The appliance and its accessible parts become hot during use. Care should be taken to avoid touching heating elements. Children less than 8 years of age shall be kept away unless continuously supervised.
- Never use the product when your judgment or coordination is impaired by the use of alcohol and/or drugs.
- Be careful when using alcoholic drinks in your dishes. Alcohol evaporates at high temperatures and may cause fire since it can ignite when it comes into contact with hot surfaces.
- Do not place any flammable materials close to the product as the sides may become hot during use.
- During use the appliance becomes hot. Care should be taken to avoid touching heating elements inside the oven.
- Keep all ventilation slots clear of obstructions.
- Do not heat closed tins and glass jars in the oven. The pressure that would build-up in the tin/jar may cause it to burst.
- Do not place baking trays, dishes or aluminium foil directly onto the bottom of the oven. The heat

accumulation might damage the bottom of the oven.

- Do not use harsh abrasive cleaners or sharp metal scrapers to clean the oven door glass since they can scratch the surface, which may result in shattering of the glass.
- Do not use steam cleaners to clean the appliance as this may cause an electric shock.
- Use the shelves as described in "How to operate the electric oven".
- Do not use the product if the front door glass removed or cracked.
- Oven handle is not towel dryer. Do not hang up towel, gloves, or similar textile products when the grill function is at open door.
- Always use heat resistant oven gloves when putting in or removing dishes into/from the hot oven.
- Ensure that the appliance is switched off before replacing the lamp to avoid the possibility of electric shock.

For the reliability of the fire of the product;

- Make sure the plug is fitting to socket as well for not cause to spark.
- Do not use damaged or cutted or extension cable except the original cable.

- Make sure that not whether liquid or moisture on the socket is plugged to product .

Intended use

- This product is designed for domestic use. Commercial use will void the guarantee.
- This appliance is for cooking purposes only. It must not be used for other purposes, for example room heating.
- This product should not be used for warming the plates under the grill, drying towels, dish cloths etc. by hanging them on the oven door handles. This product should also not be used for room heating purposes.
- The manufacturer shall not be liable for any damage caused by improper use or handling errors.
- The oven can be used for defrosting, baking, roasting and grilling food.

Safety for children

- Accessible parts may become hot during use. Young children should be kept away.
- The packaging materials will be dangerous for children. Keep the packaging materials away from children. Please dispose of all parts of the packaging according to environmental standards.
- Electrical products are dangerous to children. Keep children away

from the product when it is operating and do not allow them to play with the product.

- Do not place any items above the appliance that children may reach for.
- When the door is open, do **not** load any heavy object on it and do **not** allow children to sit on it. It may overturn or door hinges may get damaged.

Disposing of the old product



Dispose of the old product in an environmentally friendly manner. This equipment bears the selective sorting symbol for waste electrical and electronic equipment (WEEE). This means that this equipment must be handled pursuant to European Directive 2002/96/EC in order to be recycled or dismantled to minimize its impact on the environment. For

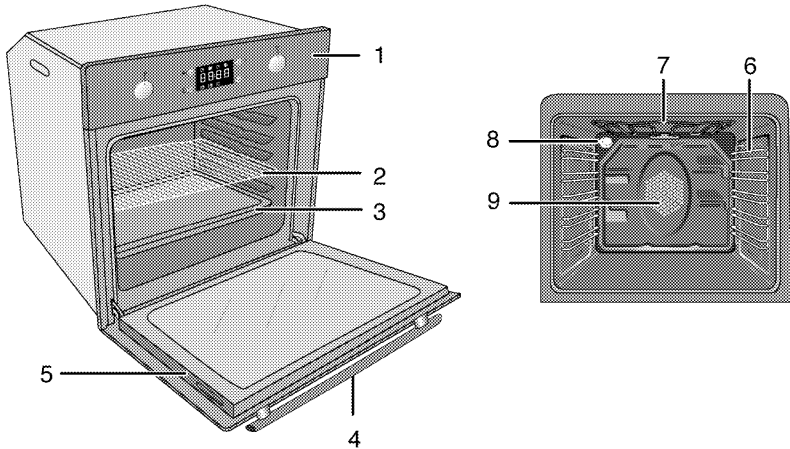
further information, please contact local or regional authorities. Refer to your local dealer or solid waste collection centre in your area to learn how to dispose of your product. Before disposing of the product, cut off the power cable plug and make the door lock (if any) unusable to avoid dangerous conditions to children.

Package information

- Packaging materials of the product are manufactured from recyclable materials in accordance with our National Environment Regulations. Do not dispose of the packaging materials together with the domestic or other wastes. Take them to the packaging material collection points designated by the local authorities.

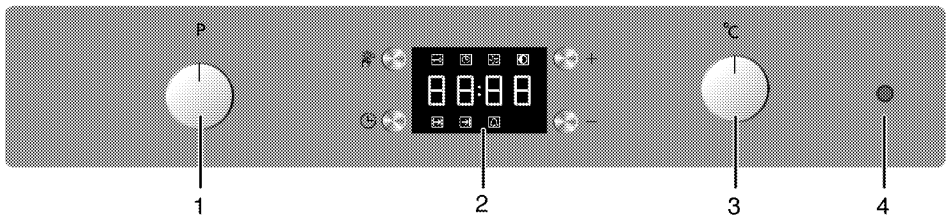
2 General information

Overview



- 1 Control panel
- 2 Wire shelf
- 3 Tray
- 4 Handle
- 5 Door

- 6 Shelf positions
- 7 Top heating element
- 8 Lamp
- 9 Fan motor (behind steel plate)



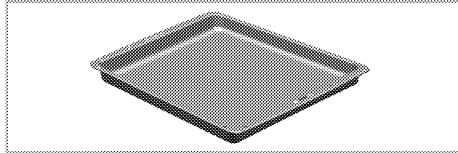
- 1 Function knob
- 2 Digital timer
- 3 Thermostat knob
- 4 Thermostat lamp

Package contents

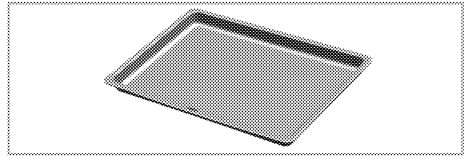


Accessories supplied can vary depending on the product model. Not every accessory described in the user manual may exist on your product.

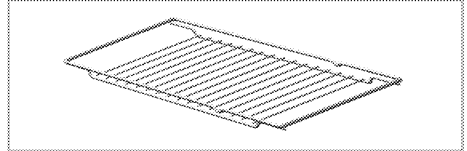
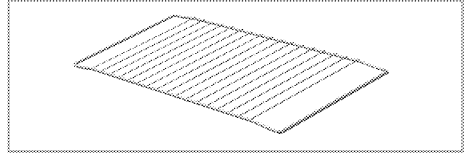
1. **User manual**
2. **Oven tray**
Used for pastries, frozen foods and big roasts.



3. **Cake tray**
Used for pastries such as cookies and biscuits.



4. **Wire Shelf**
Used for roasting and for placing the food to be baked, roasted or cooked in casserole dishes to the desired rack.



Technical specifications

Voltage / frequency	220-240 V ~ 50 Hz
Total power consumption	2.4 kW
Fuse	min. 16 A
Cable type / section	H05VV-FG 3 x 1,5 mm ²
Cable length	max. 2 m
External dimensions (height / width / depth)	595 mm/594 mm/567 mm
Installation dimensions (height / width / depth)	**590 or 600 mm/560 mm/min. 550 mm
Main oven	Multifunction oven
Energy efficiency class [#]	A
Inner lamp	15/25 W
Grill power consumption	2.2 kW

[#] Basics: Information on the energy label of electrical ovens is given in accordance with the EN 50304 standard. Those values are determined under standard load with bottom-top heater or fan assisted heating (if any) functions.

^{**} See. *Installation*, page 10.



Technical specifications may be changed without prior notice to improve the quality of the product.



Values stated on the product labels or in the documentation accompanying it are obtained in laboratory conditions in accordance with relevant standards. Depending on operational and environmental conditions of the product, these values may vary.



Figures in this manual are schematic and may not exactly match your product.

3 Installation

Product must be installed by a qualified person in accordance with the regulations in force. The manufacturer shall not be held responsible for damages arising from procedures carried out by unauthorized persons which may also void the warranty.



Preparation of location and electrical installation for the product is under customer's responsibility.



DANGER:

The product must be installed in accordance with all local electrical regulations.



DANGER:

Prior to installation, visually check if the product has any defects on it. If so, do not have it installed.

Damaged products cause risks for your safety.

Before installation

The appliance is intended for installation in commercially available kitchen cabinets. A safety distance must be left between the appliance and

the kitchen walls and furniture. See figure (values in mm).

- Surfaces, synthetic laminates and adhesives used must be heat resistant (100 °C minimum).
- Kitchen cabinets must be set level and fixed.
- If there is a drawer beneath the oven, a shelf must be installed between oven and drawer.
- Carry the appliance with at least two persons.



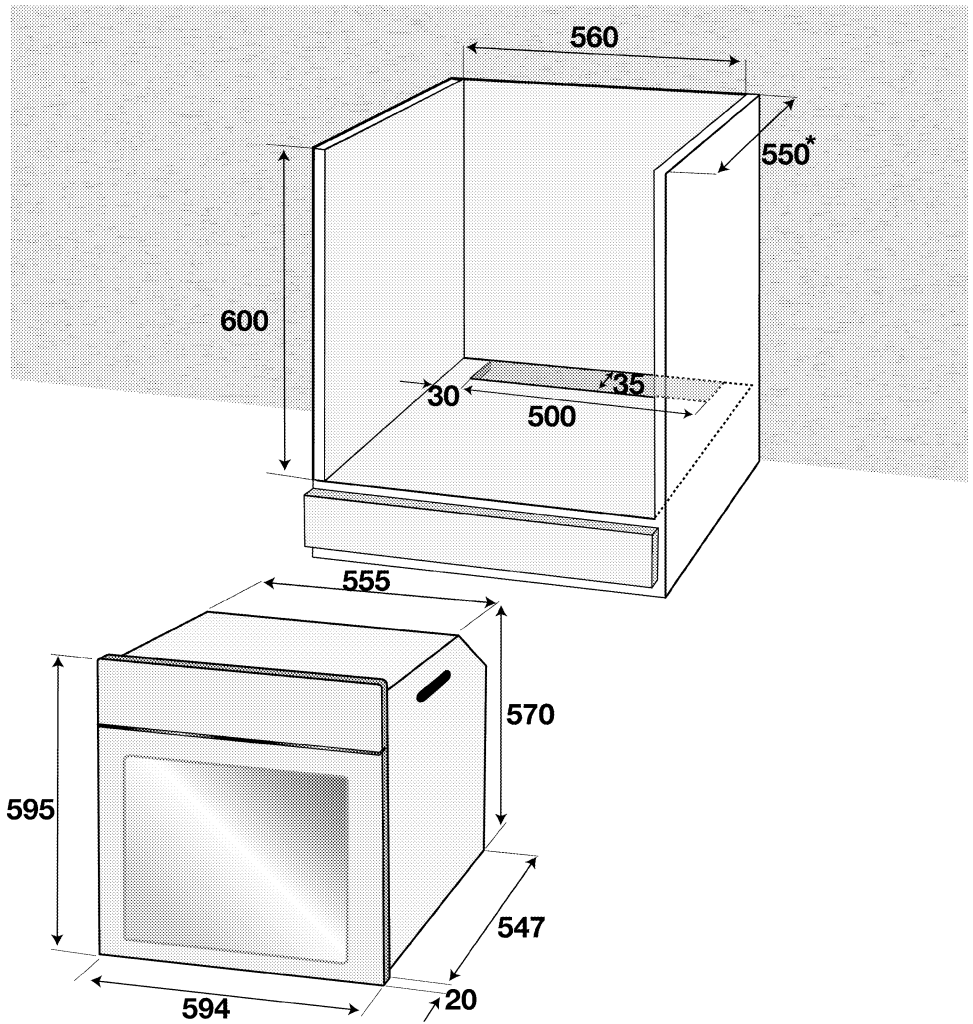
Do not install the appliance next to refrigerators or freezers. The heat emitted by the appliance will lead to an increased energy consumption of cooling appliances.



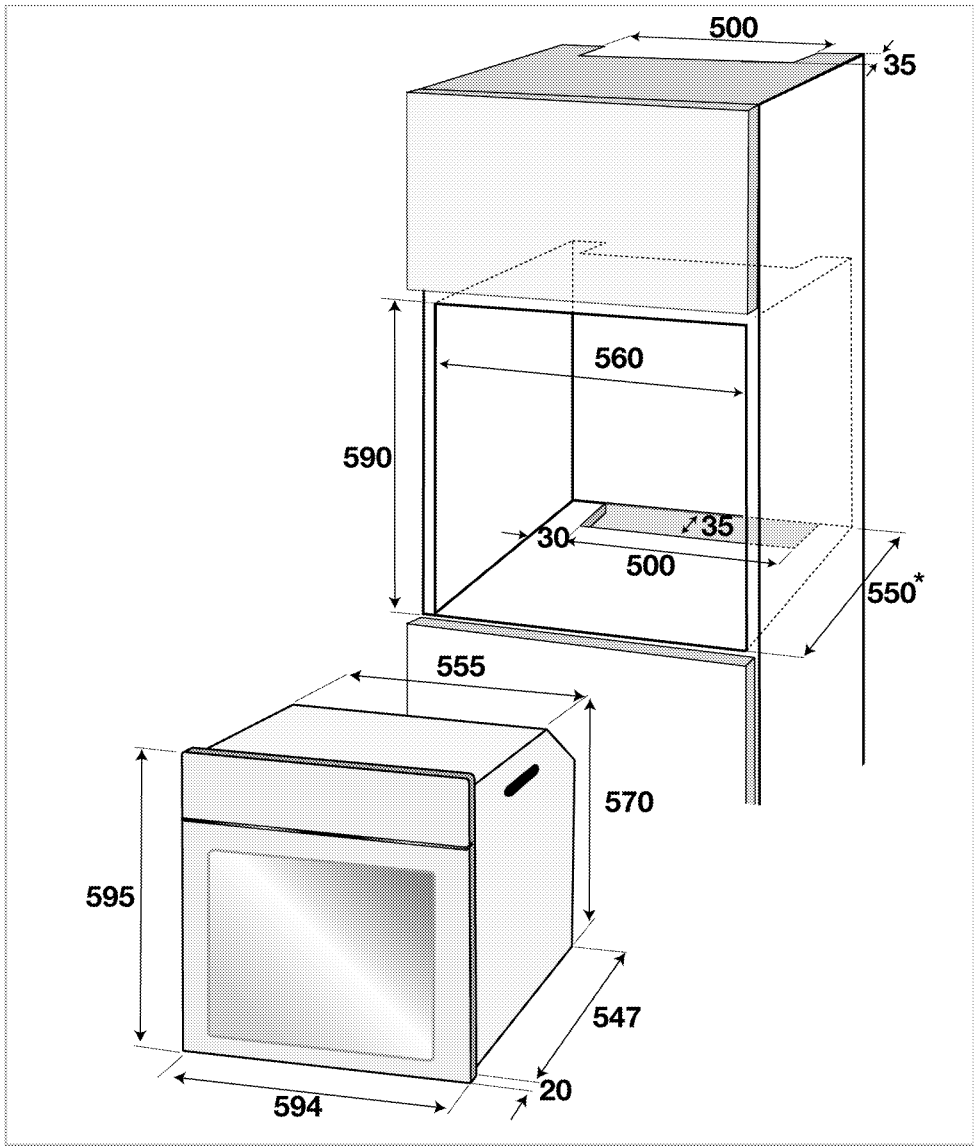
The door and/or handle must not be used for lifting or moving the appliance.



If the appliance has wire handles, push the handles back into the side walls after moving the appliance.



* min.



* min.

Installation and connection

- Product can only be installed and connected in accordance with the statutory installation rules.

Electrical connection

Connect the product to a grounded outlet/line protected by a fuse of suitable capacity as stated in the "Technical specifications" table. Have the grounding installation made by a qualified electrician while using the product with or without a transformer. Our company shall not be liable for any damages that will arise due to using the product without a grounding installation in accordance with the local regulations.



DANGER:

The product must be connected to the mains supply only by an authorised and qualified person. The product's warranty period starts only after correct installation.

Manufacturer shall not be held responsible for damages arising from procedures carried out by unauthorised persons.



DANGER:

The power cable must not be clamped, bent or trapped or come into contact with hot parts of the product. A damaged power cable must be replaced by a qualified electrician. Otherwise, there is risk of electric shock, short circuit or fire!

- Connection must comply with national regulations.
- The mains supply data must correspond to the data specified on the type label of the product. Open the front door to see the type label.
- Power cable of your product must comply with the values in "Technical specifications" table.



DANGER:

Before starting any work on the electrical installation, disconnect the product from the mains supply. There is the risk of electric shock!

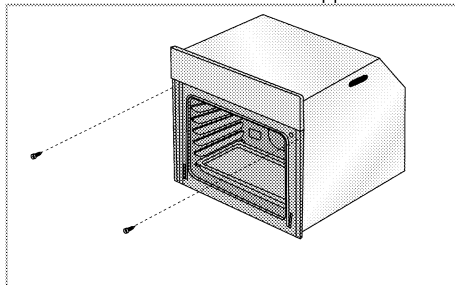


Power cable plug must be within easy reach after installation (do not route it above the hob).

Plug the power cable into the socket.

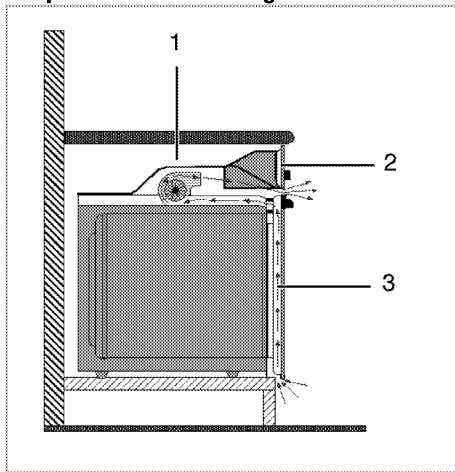
Installing the product

1. Slide the oven into the cabinet, align and secure it while making sure that the power cable is not broken and/or trapped.



Secure the oven with 2 screws as illustrated.

For products with cooling fan



- 1 Cooling fan
- 2 Control panel
- 3 Door

The built-in cooling fan cools both the built-in cabinet and the front of the product.



Cooling fan continues to operate for about 20-30 minutes after the oven is switched off.

Final check

1. Plug in the power cable and switch on the product's fuse.
2. Check the functions.

Future Transportation

- Keep the product's original carton and transport the product in it. Follow the instructions on the carton. If you do not have the original carton, pack the product in bubble wrap or thick cardboard and tape it securely.
- To prevent the wire grill and tray inside the oven from damaging the oven door, place a

strip of cardboard onto the inside of the oven door that lines up with the position of the trays. Tape the oven door to the side walls.

- Do not use the door or handle to lift or move the product.



Do not place any objects onto the product and move it in upright position.



Check the general appearance of your product for any damages that might have occurred during transportation.

4 Preparation

Tips for saving energy

The following information will help you to use your appliance in an ecological way, and to save energy:

- Use dark coloured or enamel coated cookware in the oven since the heat transmission will be better.
- While cooking your dishes, perform a preheating operation if it is advised in the user manual or cooking instructions.
- Do not open the door of the oven frequently during cooking.
- Try to cook more than one dish in the oven at the same time whenever possible. You can cook by placing two cooking vessels onto the wire shelf.
- Cook more than one dish one after another. The oven will already be hot.
- You can save energy by switching off your oven a few minutes before the end of the cooking time. Do not open the oven door.
- Defrost frozen dishes before cooking them.

Initial use

Time setting

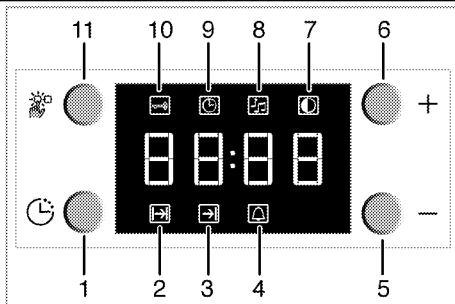


Before you can use the oven, the time must be set. If the time is not set, oven will not operate.



While making any adjustment, related symbols on the clock will flash.

Press „-“ or „+“ (5/6) keys to set the time after the oven is energized for the first time.



- 1 Program key
- 2 Cooking time
- 3 End of cooking time
- 4 Alarm
- 5 Minus key
- 6 Plus key
- 7 Screen brightness setting
- 8 Alarm volume
- 9 Current time
- 10 Keylock
- 11 Adjustment key

After setting the time, you can start and end the cooking by selecting the desired position with temperature button and function button.



If the current time is not set, time setting will start increasing/moving up from **12:00**. Clock symbol '9' will be displayed to indicate that the current time has not been set. This symbol will disappear once the time is set.



Current time settings are cancelled in case of power failure. It needs to be readjusted.

To change the time of the day you have previously set:

1. Press (11) key to activate current time symbol '9'.
2. Press „-“ or „+“ (5/6) keys to set the current time.

Changing screen brightness adjustment

1. Press (11) key to activate screen brightness symbol '7' for screen brightness adjustment.
 2. Press '-' or '+' (5/6) keys to set the desired brightness.
- » Selected brightness level will appear as **d-01**, **d-02** or **d-03** on the display.

First cleaning of the appliance



The surface might get damaged by some detergents or cleaning materials.

Do not use aggressive detergents, cleaning powders/creams or any sharp objects during cleaning.

Do not use harsh abrasive cleaners or sharp metal scrapers to clean the oven door glass since they can scratch the surface, which may result in shattering of the glass.

1. Remove all packaging materials.
2. Wipe the surfaces of the appliance with a damp cloth or sponge and dry with a cloth.

Initial heating

Heat up the product for about 30 minutes and then switch it off. Thus, any production residues or layers will be burnt off and removed.



WARNING

Hot surfaces cause burns!

Product may be hot when it is in use. Never touch the hot burners, inner sections of the oven, heaters and etc. Keep children away. Always use heat resistant oven gloves when putting in or removing dishes into/from the hot oven.

Electric oven

1. Take all baking trays and the wire grill out of the oven.
2. Close the oven door.
3. Select Static position.
4. Select the highest oven power; See *How to operate the electric oven, page 17*.
5. Operate the oven for about 30 minutes.
6. Turn off your oven; See *How to operate the electric oven, page 17*

Grill oven

1. Take all baking trays and the wire grill out of the oven.
2. Close the oven door.
3. Select the highest grill power; see *How to operate the grill, page 22*.
4. Operate the grill about 30 minutes.
5. Turn off your grill; see *How to operate the grill, page 22*



Smoke and smell may emit for a couple of hours during the initial operation. This is quite normal. Ensure that the room is well ventilated to remove the smoke and smell. Avoid directly inhaling the smoke and the smell that emits.

5 How to operate the oven

General information on baking, roasting and grilling



WARNING

Hot surfaces cause burns!

Product may be hot when it is in use. Never touch the hot burners, inner sections of the oven, heaters and etc. Keep children away. Always use heat resistant oven gloves when putting in or removing dishes into/from the hot oven.



DANGER:

Be careful when opening the oven door as steam may escape. Exiting steam can scald your hands, face and/or eyes.

Tips for baking

- Use non-sticky coated appropriate metal plates or aluminum vessels or heat-resistant silicone moulds.
- Make best use of the space on the rack.
- Place the baking mould in the middle of the shelf.
- Select the correct rack position before turning the oven or grill on. Do not change the rack position when the oven is hot.
- Keep the oven door closed.

Tips for roasting

- Treating whole chicken, turkey and large piece of meat with dressings such as lemon juice and black pepper before cooking will increase the cooking performance.
- It takes about 15 to 30 minutes longer to roast meat with bones when compared to roasting the same size of meat without bones.
- Each centimeter of meat thickness requires approximately 4 to 5 minutes of cooking time.
- Let meat rest in the oven for about 10 minutes after the cooking time is over. The juice is better distributed all over the roast and does not run out when the meat is cut.

- Fish should be placed on the middle or lower rack in a heat-resistant plate.

Tips for grilling

When meat, fish and poultry are grilled, they quickly get brown, have a nice crust and do not get dry. Flat pieces, meat skewers and sausages are particularly suited for grilling as are vegetables with high water content such as tomatoes and onions.

- Distribute the pieces to be grilled on the wire shelf or in the baking tray with wire shelf in such a way that the space covered does not exceed the size of the heater.
- Slide the wire shelf or baking tray with grill into the desired level in the oven. If you are grilling on the wire shelf, slide the baking tray to the lower rack to collect fats. Add some water in the tray for easy cleaning.



Foods that are not suitable for grilling carry the risk of fire. Only grill food which is suitable for intensive grilling heat.

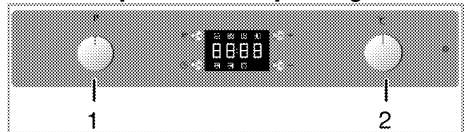
Do not place the food too far in the back of the grill. This is the hottest area and fatty food may catch fire.

How to operate the electric oven



Before you can use the oven, the time must be set. If the time is not set, oven will not operate.

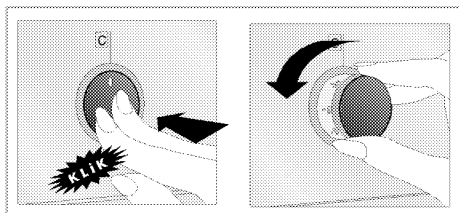
Select temperature and operating mode



- 1 Function knob
- 2 Thermostat knob

Your oven is equipped with pop-out knobs that protrude when you press them.

1. Press inwards to protrude the knob and then turn it to make the desired setting.

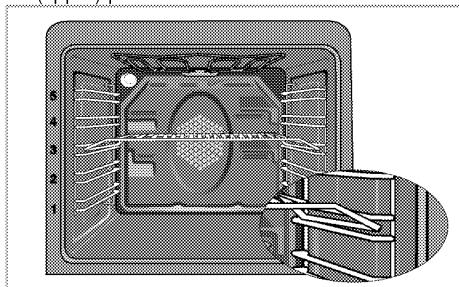


2. When the cooking process is finished, turn the knob to off (upper) position and press it inwards.
1. Set the Temperature knob to the desired temperature.
2. Set the Function knob to the desired operating mode.

» Oven heats up to the adjusted temperature and maintains it. During heating, temperature lamp stays on.

Switching off the electric oven

Turn the function knob and temperature knob to off (upper) position.



Rack positions (For models with wire shelf)

It is important to place the wire shelf onto the side rack correctly. Wire shelf must be inserted between the side racks as illustrated in the figure. Do not let the wire shelf stand against the rear wall of the oven. Slide your wire shelf to the front section of the rack and settle it with the help of the door in order to obtain a good grill performance.

Operating modes

The order of operating modes shown here may be different from the arrangement on your product.

Top and bottom heating



Top and bottom heating are in operation. Food is heated simultaneously from the top and bottom. For example, it is suitable for cakes, pastries, or cakes and casseroles in baking moulds. Cook with one tray only.

Bottom heating



Only bottom heating is in operation. It is suitable for pizza and for subsequent browning of food from the bottom.

Fan supported bottom/top heating



Top heating, bottom heating plus fan (in the rear wall) are in operation. Hot air is evenly distributed throughout the oven rapidly by means of the fan. Cook with one tray only.

Full grill



Large grill at the ceiling of the oven is in operation. It is suitable for grilling large amount of meat.

- Put big or medium-sized portions in correct rack position under the grill heater for grilling.
- Set the temperature to maximum level.
- Turn the food after half of the grilling time.

Grill+Fan



Grilling effect is not as strong as in Full Grill

- Put small or medium-sized portions in correct shelf position under the grill heater for grilling.
- Set the desired temperature.
- Turn the food after half of the grilling time.

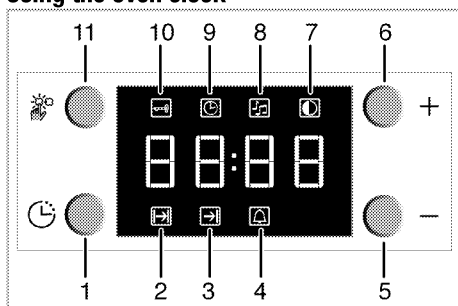
Booster



This function is used to heat the oven rapidly; it is not suitable for cooking food.

- Select the desired temperature after selecting this function. Temperature light turns on and oven is heated.
- Light turns off after the heating process is completed. Now select the desired function to cook your food.

Using the oven clock



- 1 Program key
- 2 Cooking time
- 3 End of cooking time
- 4 Alarm
- 5 Minus key
- 6 Plus key
- 7 Screen brightness setting
- 8 Alarm volume
- 9 Current time
- 10 Keylock
- 11 Adjustment key



Maximum time that can be set for end of cooking is 5 hours 59 minutes. Program will be cancelled in case of power failure. You must reprogram the oven.



While making any adjustments, related symbols will flash on the display. You must wait for a short time for the settings to take effect.



If no cooking setting is made, time of the day cannot be set.



Cooking time will be displayed once the cooking starts.

Cooking by specifying the cooking time:

You can set the oven so that it will stop at the end of the specified time by setting the cooking time on the clock.

1. To adjust the cooking time, Press Program key (1) and activate the Cooking Time symbol (2).
2. Press '-' / '+' (5/6) keys to set the cooking time.

» Once the Cooking Time is set, Cooking symbol will be displayed continuously.

If you want to set the end of cooking time to a later time:

After setting the cooking time on the clock, you can set the end of cooking time to a later time.

1. To adjust the cooking time, press Program key (1) and activate the Cooking Time symbol (2).

2. Adjust the cooking time with Minus (5) and Plus (6) keys.

» Cooking Time symbol remains lit (displayed continuously) after setting the cooking time.

3. To set the End of Cooking Time, Press Program key (1) and activate the Cooking Time symbol (3).
4. Press - (5) and + (6) keys to set the end of cooking time.

» Once the End of Cooking Time is set, End of Cooking symbol and Cooking symbol will be displayed continuously. The End of Cooking Time symbol (3) will disappear as soon as the cooking starts.

5. Put your dish into the oven.
6. Select operation mode and temperature.
» Oven timer automatically calculates the startup time for cooking by using the end of cooking time and the cooking period you have set. Selected operation mode is activated when the startup time of cooking has come and the oven is heated up to the set temperature. It maintains this temperature until the end of cooking time.
7. After the cooking process is completed, "End" appears on the displayed and the alarm will sound.

- Alarm signal will sound for 2 minutes. To stop the alarm signal, just press any key. Alarm will be silenced and current time will be displayed.

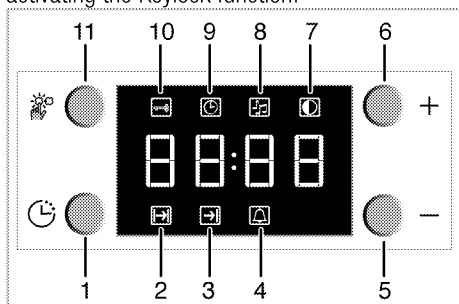
i If you mute the alarm by pressing any key, the oven will restart operating. If you press any button at the end of the alarm period, the oven will restart operating.

- Turn off the oven with the Temperature knob and Function knob.

Using the keylock

Activating the keylock

You can prevent oven from being used by activating the Keylock function.



- Program key
- Cooking time
- End of cooking time
- Alarm
- Minus key
- Plus key
- Screen brightness setting
- Alarm volume
- Current time
- Keylock
- Adjustment key

- Press the key (11) to activate Keylock symbol (10).

» "OFF" will appear on the display.

- Press '+' key (6) to activate the keylock.

» Once the keylock is activated, "On" appears on the display and the Keylock symbol (10) remains lit.

i When the Keylock function is activated, control panel buttons except for the key (11) cannot be used.

Deactivating the keylock

- Press Adjustment key (11) to activate Keylock symbol (10).

» "On" will appear on the display.

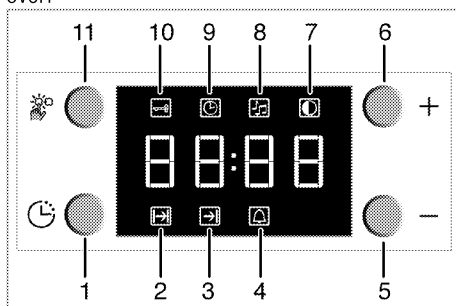
- Press '-' (5) to deactivate the keylock.

» "OFF" will be displayed once the keylock is deactivated.

Using the clock as an alarm

You can use the clock of the product for any warning or reminder apart from the cooking programme.

The alarm clock has no influence on the functions of the oven. It is only used as a warning. For example, this is useful when you want to turn food in the oven at a certain point of time. Alarm clock will give a signal once the time you set is over.



- Program key
- Cooking time
- End of cooking time
- Alarm
- Minus key
- Plus key
- Screen brightness setting
- Alarm volume
- Current time
- Keylock
- Adjustment key

Setting the alarm clock

- Press Program key (1) to activate the alarm time symbol (4).

i Maximum alarm time can be 23 hours and 59 minutes.

- Adjust the alarm time using „+“ / „-“ (5/6) keys.

» Alarm symbol will remain lit and the alarm time will appear on the display once the alarm time is set.

- At the end of the alarm time, Alarm Time symbol (4) will start flashing and the alarm signal is heard.

Turning off the alarm

- To stop the alarm, just press any key.
- » Alarm will be silenced and current time will be displayed.

If you want to cancel the alarm:

- To reset the alarm time, press Program key (1) to activate the alarm time symbol (4).
- Press and hold the '←' (5) key until "00:00" is displayed.



Alarm time will be displayed. If the alarm time and cooking time are set concurrently, shortest time will be displayed.

Changing alarm tone

- Press Setting key (11) to activate the Alarm Tone symbol (8).
- Adjust the desired tone using „+“ / „-“ (5/6) keys.

» Selected alarm tone will appear as "b-01", "b-02" or "b-03" on the display.

Cooking times table



The timings in this chart are meant as a guide. Timings may vary due to temperature of food, thickness, type and your own preference of cooking.

Baking and roasting



1st rack of the oven is the **bottom** rack.

Dish	Cooking level number		Rack position	Temperature (°C)	Cooking time (approx. in min.)
**Cakes in tray	One level		3	175	25 ... 30
**Cakes in mould	One level		2	175	40 ... 50
**Cakes in cooking paper	One level		3	175	25 ... 30
**Sponge cake	One level		3	200	5 ... 10
**Cookie	One level		3	175	25 ... 30
**Dough pastry	One level		2	200	30 ... 40
**Rich pastry	One level		2	200	25 ... 35
**Leaven	One level		2	200	35 ... 45
**Lasagna	One level		2 - 3	200	30 ... 40
**Pizza	One level		2	200 ... 220	15 ... 20
Beef steak (whole) / Roast	One level		3	25 min. 250/max, then 180 ... 190	100 ... 120
Leg of Lamb (casserole)	One level		3	25 min. 220 then 180 ... 190	70 ... 90
Roasted chicken	One level		2	15 min. 250/max, then 180 ... 190	55 ... 65
Turkey (5.5 kg)	One level		1	25 min. 250/max, then 180 ... 190	150 ... 210
Fish	One level		3	200	20 ... 30

(**) In a cooking that requires preheating, preheat at the beginning of cooking until the thermostat lamp turns off.

Tips for baking cake

- If the cake is too dry, increase the temperature by 10°C and decrease the cooking time.
- If the cake is wet, use less liquid or lower the temperature by 10°C.
- If the cake is too dark on top, place it on a lower rack, lower the temperature and increase the cooking time.

- If cooked well on the inside but sticky on the outside use less liquid, lower the temperature and increase the cooking time.

Tips for baking pastry

- If the pastry is too dry, increase the temperature by 10°C and decrease the cooking time. Dampen the layers of dough with a sauce composed of milk, oil, egg and yoghurt.
- If the pastry takes too long to bake, pay care that the thickness of the pastry you

have prepared does not exceed the depth of the tray.

- If the upper side of the pastry gets browned, but the lower part is not cooked, make sure that the amount of sauce you have used for the pastry is not too much at the bottom of the pastry. Try to scatter the sauce equally between the dough layers and on the top of pastry for an even browning.



Cook the pastry in accordance with the mode and temperature given in the cooking table. If the bottom part is still not browned enough, place it on one lower rack next time.

Tips for cooking vegetables

- If the vegetable dish runs out of juice and gets too dry, cook it in a pan with a lid instead of a tray. Closed vessels will preserve the juice of the dish.
- If a vegetable dish does not get cooked, boil the vegetables beforehand or prepare them like canned food and put in the oven.

How to operate the grill



Before you can use the oven, the time must be set. If the time is not set, oven will not operate.



WARNING

Close oven door during grilling.
Hot surfaces may cause burns!

Switching on the grill

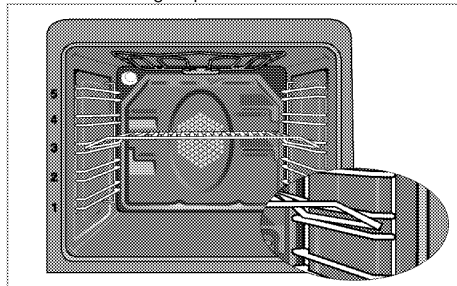
1. Turn the Function knob to the desired grill symbol.
 2. Then, select the desired grilling temperature.
 3. If required, perform a preheating of about 5 minutes.
- » Temperature light turns on.

Switching off the grill

1. Turn the Function knob to Off (top) position.

Rack positions

Grill performance will decrease if the wire grill stands against rear part of the oven. Slide your wire grill to the front section of the rack and settle it with the help of the door in order to obtain the best grill performance.



Foods that are not suitable for grilling carry the risk of fire. Only grill food which is suitable for intensive grilling heat.

Do not place the food too far in the back of the grill. This is the hottest area and fatty food may catch fire.

Cooking times table for grilling

Grilling with electric grill

Food	Insertion level	Grilling time (approx.)
Fish	4..5	20..25 min. #
Sliced chicken	4..5	25..35 min.
Lamb chops	4..5	20..25 min.
Roast beef	4..5	25..30 min. #
Veal chops	4..5	25..30 min. #
Toast bread	4	1..2 min.

depending on thickness

6 Maintenance and care

General information

Service life of the product will extend and the possibility of problems will decrease if the product is cleaned at regular intervals.



DANGER:

Disconnect the product from mains supply before starting maintenance and cleaning works.
There is the risk of electric shock!



DANGER:

Allow the product to cool down before you clean it.
Hot surfaces may cause burns!

- Clean the product thoroughly after each use. In this way it will be possible to remove cooking residues more easily, thus avoiding these from burning the next time the appliance is used.
- No special cleaning agents are required for cleaning the product. Use warm water with washing liquid, a soft cloth or sponge to clean the product and wipe it with a dry cloth.
- Always ensure any excess liquid is thoroughly wiped off after cleaning and any spillage is immediately wiped dry.
- Do not use cleaning agents that contain acid or chloride to clean the stainless or inox surfaces and the handle. Use a soft cloth with a liquid detergent (not abrasive) to wipe those parts clean, paying attention to sweep in one direction.



The surface might get damaged by some detergents or cleaning materials.
Do not use aggressive detergents, cleaning powders/creams or any sharp objects during cleaning.
Do not use harsh abrasive cleaners or sharp metal scrapers to clean the oven door glass since they can scratch the surface, which may result in shattering of the glass.



Do not use steam cleaners to clean the appliance as this may cause an electric shock.

Cleaning the control panel

Clean the control panel and knobs with a damp cloth and wipe them dry.

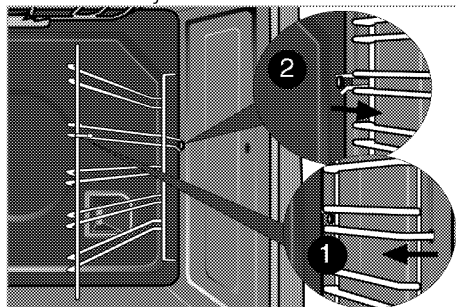


Do not remove the control buttons/knobs to clean the control panel.
Control panel may get damaged!

Cleaning the oven

To clean the side wall

1. Remove the front section of the side rack by pulling it in the opposite direction of the side wall.
2. Remove the side rack completely by pulling it towards you.



Catalytic walls

Side walls or just back wall of oven interior may be covered with catalytic enamel.

The catalytic walls of the oven must not be cleaned. The porous surface of the walls is self-cleaning by absorbing and converting spitting fat (steam and carbon dioxide).

Clean oven door

To clean the oven door, use warm water with washing liquid, a soft cloth or sponge to clean the product and wipe it with a dry cloth.

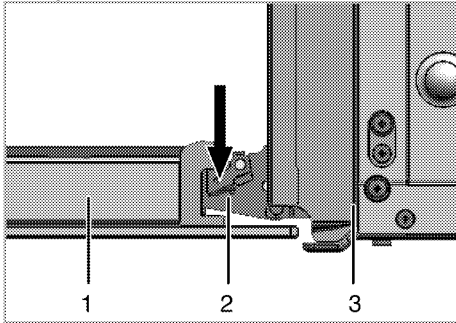


Don't use any harsh abrasive cleaners or sharp metal scrapers for cleaning the oven door. They could scratch the surface and destroy the glass.

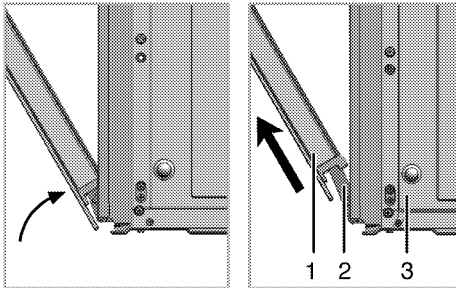
Removing the oven door

1. Open the front door (1).
2. Open the clips at the hinge housing (2) on the right and left hand sides of the front door

by pressing them down as illustrated in the figure.



- 1 Front door
- 2 Hinge
- 3 Oven

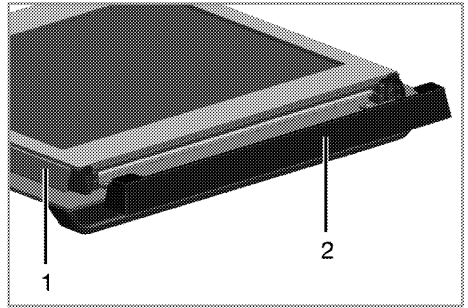


- 3. Move the front door to half-way.
- 4. Remove the front door by pulling it upwards to release it from the right and left hinges.

i Steps carried out during removing process should be performed in reverse order to install the door. Do not forget to close the clips at the hinge housing when reinstalling the door.

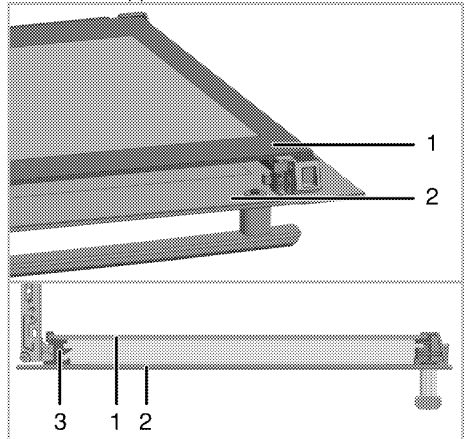
Removing the door inner glass

The inner glass panel of the oven door can be removed for cleaning. Open the oven door.



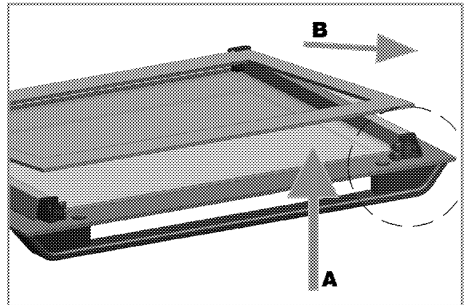
- 1 Frame
- 2 Plastic part

Pull towards yourself and remove the plastic part installed to upper section of the front door.



- 1 Inner glass panel
- 2 Outer glass panel
- 3 Plastic glass panel slot-Lower

As illustrated in figure, raise the innermost glass panel (1) slightly in direction A and pull it out in direction B.



When installing the inner glass panel (1), make sure that the printed side of the panel faces towards the inner.

It is important to seat lower corner of inner glass panel into the lower plastic slot.

Push the plastic part towards the frame until you hear a "click".

Replacing the oven lamp



DANGER:

Before replacing the oven lamp, make sure that the product is disconnected from mains and cooled down in order to avoid the risk of an electrical shock. Hot surfaces may cause burns!



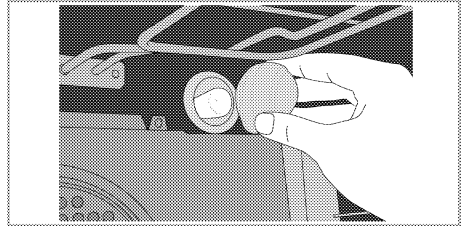
The oven lamp is a special electric light bulb that can resist up to 300 °C. See *Technical specifications, page 9* for details. Oven lamps can be obtained from Authorised Service Agents.



Position of lamp might vary from the figure.

If your oven is equipped with a round lamp:

1. Disconnect the product from mains.
2. Turn the glass cover counter clockwise to remove it.



3. Remove the oven lamp by turning it counter clockwise and replace it with the new one.
4. Install the glass cover.

7 Troubleshooting

Oven emits steam when it is in use.

- It is normal that steam escapes during operation. >>> *This is not a fault.*

Product emits metal noises while heating and cooling.

- When the metal parts are heated, they may expand and cause noise. >>> *This is not a fault.*

Product does not operate.

- The mains fuse is defective or has tripped. >>> *Check fuses in the fuse box. If necessary, replace or reset them.*
- Product is not plugged into the (grounded) socket. >>> *Check the plug connection.*
- Buttons/knobs/keys on the control panel do not function. >>> *Keylock may be enabled. Please disable it. (See. Using the keylock, page 20)*

Oven light does not work.

- Oven lamp is defective. >>> *Replace oven lamp.*
- Power is cut. >>> *Check if there is power. Check the fuses in the fuse box. If necessary, replace or reset the fuses.*

Oven does not heat.

- Function and/or Temperature are not set. >>> *Set the function and the temperature with the Function and/or Temperature knob/key.*
- In models equipped with a timer, the timer is not adjusted. >>> *Adjust the time.* (In products with microwave oven, timer controls only microwave oven.)
- Power is cut. >>> *Check if there is power. Check the fuses in the fuse box. If necessary, replace or reset the fuses.*

(In models with timer) Clock display is blinking or clock symbol is on.

- A previous power outage has occurred. >>> *Adjust the time / Switch of the product and switch it on again.*



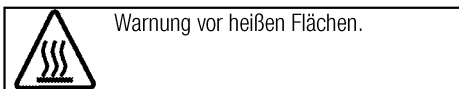
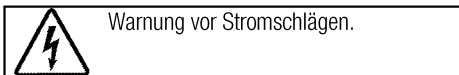
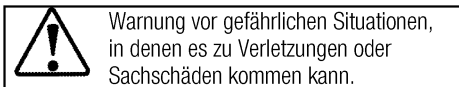
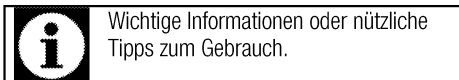
Consult the Authorised Service Agent or the dealer where you have purchased the product if you can not remedy the trouble although you have implemented the instructions in this section. Never attempt to repair a defective product yourself.

Bitte zuerst diese Bedienungsanleitung lesen!

Sehr geehrte Kundin, sehr geehrter Kunde,
vielen Dank für den Kauf eines Blomberg-Produktes. Wir hoffen, dass dieses Produkt, das mit hochwertiger und hochmoderner Technologie hergestellt wurde, beste Ergebnisse erzielt. Daher bitte die gesamte Bedienungsanleitung und alle beiliegenden Dokumente aufmerksam durchlesen und zum zukünftigen Nachschlagen aufbewahren. Bei Weitergabe des Produktes auch die Bedienungsanleitung mit aushändigen. Alle Warnungen und Informationen in der Bedienungsanleitung einhalten. Bitte beachten, dass diese Bedienungsanleitung für unterschiedliche Modelle geschrieben wurde. Unterschiede zwischen den verschiedenen Modellen werden natürlich in der Anleitung erwähnt.

Die Symbole

In dieser Anleitung verwenden wir folgende Symbole:



Arçelik A.Ş.
Karaağaç caddesi No:2-6
34445 Sütlüce/Istanbul/TURKEY
Made in TURKEY

1 Wichtige Sicherheits- und Umwelthinweise **4**

Allgemeine Sicherheit	4
Elektrische Sicherheit	4
Produktsicherheit	5
Bestimmungsgemäße Verwendung	7
Sicherheit von Kindern	7
Altgeräte entsorgen	7
Verpackungsmaterialien entsorgen	8

2 Allgemeine Informationen **9**

Geräteübersicht	9
Lieferumfang	10
Technische Daten	10

3 Installation **11**

Vor der Installation	11
Einbauen und Anschließen	14
Transport	15

4 Vorbereitungen **16**

Tipps zum Energiesparen	16
Erste Inbetriebnahme	16
Erste Zeiteinstellung	16
Erstreinigung des Gerätes	17
Erstaufheizung	17

5 Bedienung des Backofens **18**

Allgemeine Hinweise zum Backen, Braten und Grillen	18
So bedienen Sie den Backofen	19
Betriebsarten	19
Ofenuhr verwenden	20
Tastensperre Kindersicherung	21
Alarmfunktion	22
Garzeitentabelle	23
So bedienen Sie den Grill	24
Garzeitentabelle zum Grillen	24

6 Reinigung und Wartung **25**

Allgemeine Hinweise	25
Bedienfeld reinigen	25
Backofen reinigen	25
Backofentür ausbauen	26
Türinnenscheibe ausbauen	26
Beleuchtung des Backofens auswechseln	27

7 Problemlösungen **28**

1 Wichtige Sicherheits- und Umwelthinweise

Dieser Abschnitt enthält Hinweise, die für die Sicherheit des Benutzers und anderer Personen unerlässlich sind. Diese Hinweise müssen beachtet werden, damit es nicht zu Verletzungen oder Sachschäden kommt.

Bei Nichteinhaltung dieser Anweisungen erlöschen sämtliche Garantieansprüche.

Allgemeine Sicherheit

- Dieses Gerät darf von Kindern (ab acht Jahren) oder Personen bedient werden, die unter körperlichen, sensorischen oder geistigen Einschränkungen leiden oder denen es an der nötigen Erfahrung und Wissen im Umgang mit solchen Geräten mangelt, wenn solche Personen beaufsichtigt werden und, zuvor gründlich mit der sicheren Bedienung des Gerätes vertraut gemacht wurden und sich der damit verbundenen Gefahren voll und ganz bewusst sind. Kinder dürfen nicht mit dem Gerät spielen. Reinigungs- und Wartungsarbeiten dürfen von Kindern nicht ohne Aufsicht eines Erwachsenen durchgeführt werden.
- Installation und Reparaturen müssen grundsätzlich vom

autorisierten Kundendienst ausgeführt werden. Der Hersteller haftet nicht für Schäden, die durch den Eingriff nicht autorisierter Personen entstehen; zudem kann dadurch die Garantie erlöschen. Vor der Installation aufmerksam alle Anweisungen lesen.

- Gerät nicht nutzen, falls es nicht ordnungsgemäß funktioniert oder sichtbare Beschädigungen aufweist.
- Nach jeder Benutzung prüfen, ob die Funktionsknöpfe des Produktes ausgeschaltet sind.

Elektrische Sicherheit

- Falls das Produkt einen Fehler aufweist, sollten es bis zur Reparatur durch einen autorisierten Kundendienstmitarbeiter nicht in Betrieb genommen werden. Es besteht Stromschlaggefahr!
- Schließen Sie das Produkt nur an eine geerdete Steckdose an, deren Spannung und Schutz den Angaben unter „Technische Daten“ entsprechen. Lassen Sie durch einen qualifizierten Elektriker eine Erdung vornehmen. Unser Unternehmen haftet nicht für Probleme, die durch ein nicht entsprechend den örtlichen

Richtlinien geerdetes Produkt entstehen.

- Reinigen Sie das Produkt niemals, indem Sie Wasser darauf verteilen oder schütten! Es besteht Stromschlaggefahr!
- Berühren Sie den Stecker niemals mit feuchten oder gar nassen Händen! Trennen Sie das Kabel niemals durch Ziehen am Kabel; greifen und ziehen Sie immer am Stecker.
- Das Produkt darf während Installation, Wartung, Reinigung und Reparatur nicht an eine Steckdose angeschlossen sein.
- Falls das Netzkabel des Produktes beschädigt ist, muss es zur Vermeidung von Gefahren vom Hersteller, einem Kundendienstmitarbeiter oder vergleichbar qualifizierten Personen ausgetauscht werden.
- Das Gerät muss so installiert sein, dass es vollständig vom Netzwerk getrennt werden kann. Die Trennung muss entsprechend den Baurichtlinien entweder durch einen Netzstecker oder einen in der festen elektrischen Installation eingebauten Schalter ermöglicht werden.
- Die Rückseite des Ofens wird im Betrieb heiß. Achten Sie darauf, dass der Elektroanschluss die Rückseite nicht berührt;

andernfalls kann der Anschluss beschädigt werden.

- Klemmen Sie das Netzkabel nicht zwischen Backofentür und Rahmen ein; führen Sie es nicht über heiße Oberflächen. Andernfalls kann die Kabelisolierung schmelzen und in Folge eines Kurzschlusses einen Brand verursachen.
- Jegliche Arbeiten an elektrischen Geräten und Systemen sollten von autorisierten und qualifizierten Personen ausgeführt werden.
- Schalten Sie das Gerät bei Schäden aus, unterbrechen Sie die Stromversorgung. Schalten Sie dazu die Sicherungen im Haus ab.
- Stellen Sie sicher, dass die Sicherungsangaben mit dem Produkt kompatibel sind.

Produktsicherheit

- Das Gerät und seine zugänglichen Teile werden während des Betriebs heiß. Keine Heizelemente berühren. Kinder unter 8 Jahren fernhalten, sofern nicht kontinuierlich beaufsichtigt.
- Produkt niemals nutzen, wenn Urteilsvermögen oder Koordination durch Alkohol und/oder Drogen beeinträchtigt sind.
- Bei alkoholischen Getränken in den Gerichten entsprechend

vorsichtig sein. Alkohol verdampft bei hohen Temperaturen und kann durch Entzünden bei Kontakt mit heißen Oberflächen Feuer verursachen.

- Keine brennbaren Materialien in der Nähe des Produktes aufstellen, da die Seiten während des Gebrauchs heiß werden können.
- Während des Gebrauchs wird das Gerät heiß. Keine Heizelemente im Inneren des Backofens berühren.
- Darauf achten, dass keine Belüftungsschlitze blockiert werden.
- Keine geschlossenen Dosen und Glasgefäße im Ofen erhitzen. Der in der Dose/im Glasgefäß entstehende Druck könnte Dose/Glasgefäß bersten lassen.
- Backbleche, Gerichte und Alufolie nicht direkt auf den Boden des Backofens stellen. Der Hitzestau kann den Boden des Backofens beschädigen.
- Zur Reinigung der Backofen-Glastür keine aggressiven scheuernden Reiniger oder scharfen Metallschaber verwenden, da diese die Oberfläche zerkratzen und so das Glas springen lassen können.
- Zur Reinigung des Gerätes keine Dampfreiniger verwenden;

andernfalls besteht Stromschlaggefahr.

- Gitterroste wie unter „Backofen bedienen“ beschrieben verwenden.
- Produkt nicht verwenden, falls das Glas der Fronttür entfernt oder gesprungen ist.
- Griff der Ofentüre nicht zum Trocknen von Geschirrtüchern verwenden. Keine Geschirrtücher, Handschuhe oder vergleichbare Textilprodukte aufhängen, wenn die Grillfunktion bei geöffneter Tür arbeitet.
- Beim Hineingeben oder Herausnehmen von Gerichten in den/aus dem heißen Ofen immer hitzebeständige Handschuhe verwenden.
- Zur Vermeidung von Stromschlaggefahr vor dem Auswechseln der Lampe sicherstellen, dass das Gerät abgeschaltet ist.

Brandschutzvorkehrungen des Produktes:

- Sicherstellen, dass der Stecker richtig in die Steckdose eingesteckt ist und keine Funken erzeugt.
- Keine beschädigten oder abgeschnittenen Kabel bzw. Verlängerungskabel verwenden; nur das Originalkabel einsetzen.

- Beim Anschließen des Produktes sicherstellen, dass sich keine Flüssigkeit oder Feuchtigkeit am Stecker befindet.

Bestimmungsgemäße

Verwendung

- Dieses Gerät wurde für den reinen Hausgebrauch entwickelt. Eine gewerbliche Nutzung ist nicht zulässig.
- Dieses Gerät dient ausschließlich der Zubereitung von Speisen. Es darf nicht zu anderen Zwecken eingesetzt werden.
- Benutzen Sie das Gerät nicht zum Vorwärmen von Tellern, hängen Sie keine Küchentücher, Handtücher und dergleichen zum Trocknen oder Anwärmen an die Griffe.
- Der Hersteller haftet nicht für Schäden, die durch unsachgemäßen Gebrauch oder falsche Bedienung verursacht werden.
- Das Gerät ist zum Garen, Auftauen, Backen, Braten und Grillen von Lebensmitteln geeignet.

Sicherheit von Kindern

- Verschiedene Teile des Gerätes werden während des Gebrauchs heiß. Daher kleine Kinder vom Gerät fernhalten.
- Verpackungsmaterialien können eine Gefahr für Kinder darstellen.

Sämtliche Verpackungsmaterialien an einem sicheren Ort und außerhalb der Reichweite von Kindern aufbewahren.

- Elektrische Produkte können eine Gefahr für Kinder darstellen. Kinder im Betrieb daher unbedingt vom Gerät fernhalten. Kinder nicht mit dem Gerät spielen lassen.
- Keine Gegenstände auf das Gerät stellen, die Kinder erreichen können.
- Wenn die Ofentür geöffnet ist, **keine** schweren Gegenstände darauf ablegen und **keine** Kinder darauf sitzen lassen. Das Gerät kann kippen oder die Ofentür oder die Türscharniere können beschädigt werden.

Altgeräte entsorgen



Entsorgen Sie Altgeräte grundsätzlich auf umweltfreundliche Weise. Dieses Gerät ist mit dem Sammelsymbol für elektrische und elektronische Altgeräte (WEEE) gekennzeichnet. Das bedeutet, dass das Gerät nach den Vorgaben der EG-Richtlinie recycelt und zerlegt werden muss, damit die Umwelt möglichst wenig beeinträchtigt wird. Weitere Informationen erhalten Sie bei Ihrer Stadtverwaltung.

Hinweise zur richtigen Entsorgung des Gerätes erhalten Sie von Ihrem Händler oder bei entsprechenden Sammelstellen in Ihrer Nähe.

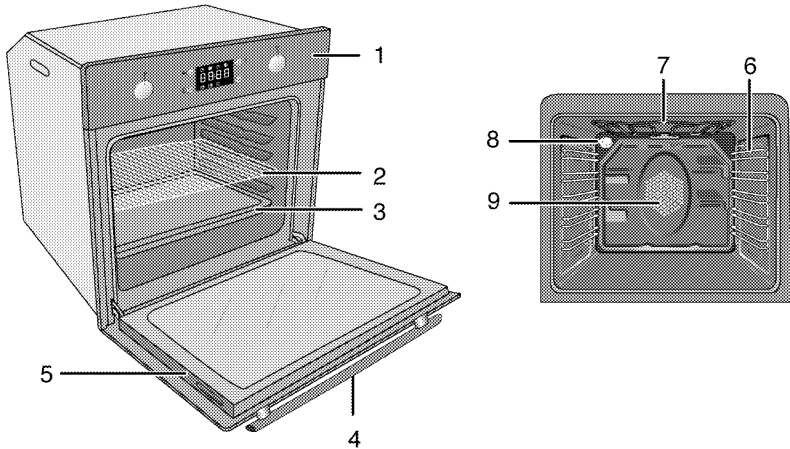
Bevor Sie das Gerät entsorgen, schneiden Sie das Netzkabel ab und machen die Türverriegelung (sofern vorhanden) unbrauchbar, damit Kinder nicht in Gefahr geraten.

Verpackungsmaterialien entsorgen

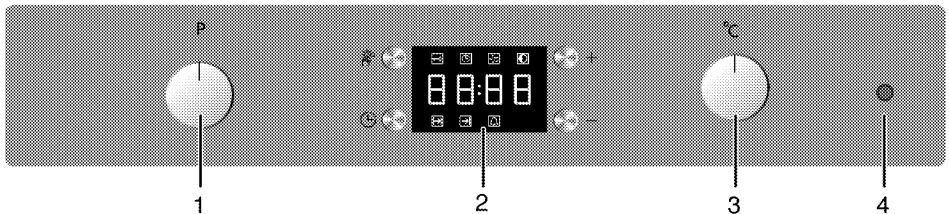
- Die Verpackung des Gerätes besteht aus wiederverwertbaren Materialien. Entsorgen Sie diese vorschriftsgemäß und entsprechend sortiert. Entsorgen Sie solche Materialien nicht mit dem normalen Hausmüll.

2 Allgemeine Informationen

Geräteübersicht



- | | | | |
|---|------------|---|---------------------------------------|
| 1 | Bedienfeld | 6 | Einschubpositionen |
| 2 | Gitterrost | 7 | Oberes Heizelement |
| 3 | Backblech | 8 | Beleuchtung |
| 4 | Griff | 9 | Lüftermotor (hinter der Metallplatte) |
| 5 | Tür | | |



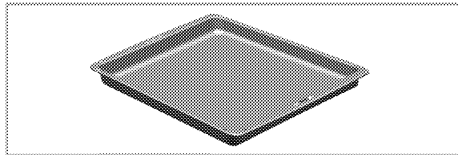
- | | |
|---|-------------------|
| 1 | Funktionsknopf |
| 2 | Digitaltimer |
| 3 | Temperaturknopf |
| 4 | Temperaturleuchte |

Lieferumfang

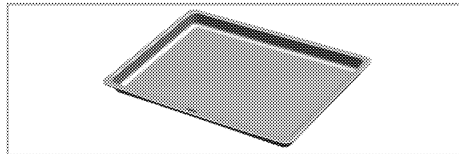


Je nach Modell wird eventuell unterschiedliches Zubehör mitgeliefert. Daher kann es vorkommen, dass nicht sämtliches in der Anleitung erwähnte Zubehör mit Ihrem Gerät geliefert wird.

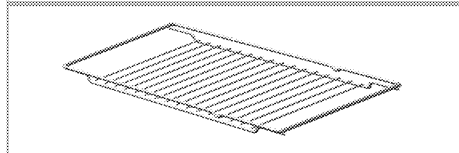
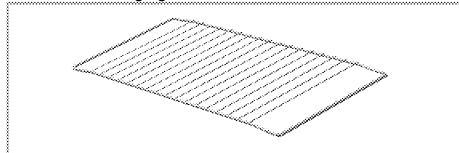
1. **Bedienungsanleitung**
2. **Backblech**
Für Backwaren, Tiefkühlgerichte und große Braten.



3. **Kuchenblech**
Für Gebäck wie Kekse, Biskuits und Kuchen.



4. **Gitterrost**
Zum Rösten und Grillen und als Unterlage für Behälter, in denen unterschiedlichste Lebensmittel gegart werden können.



Technische Daten

Spannung/Frequenz	220-240 V ~ 50 Hz
Leistungsaufnahme gesamt	2,4 kW
Sicherung	Minimum 16 A
Kabeltyp/Kabelquerschnitt	H05VV-FG 3 x 1,5 mm ²
Kabellänge	max. 2 m
Außenabmessungen (Höhe/Breite/Tiefe)	595 mm/594 mm/567 mm
Einbaumaße (Höhe/Breite/Tiefe)	**590 oder 600 mm/560 mm/Minimum 550 mm
Hauptofen	Multifunktionsofen
Energieeffizienzklasse #	A
Garraumleuchte	15/25 W
Leistungsaufnahme Grill	2,2 kW

Allgemeine Hinweise: Energieangaben von Elektroöfen werden gemäß der Richtlinie EN 50304 ermittelt. Die entsprechenden Werte werden unter üblichen Einsatzbedingungen bei Ober-/Unterhitze oder im Umluftbetrieb (sofern vorhanden) ermittelt.

** Siehe *Installation, Seite 11*.



Im Zuge der Qualitätsverbesserung können sich technische Daten ohne Vorankündigung ändern.



Angaben am Produkt oder in der begleitenden Dokumentation wurden unter Laborbedingungen unter Berücksichtigung der zutreffenden Richtlinien ermittelt. Solche Werte können je nach Einsatzumgebung und Nutzungsweise des Gerätes abweichen.



Die Abbildungen in dieser Anleitung dienen lediglich der Veranschaulichung und können etwas vom tatsächlichen Aussehen des Gerätes abweichen.

3 Installation

Gerät vom nächstgelegenen autorisierten Kundendienst gemäß gültigen Bestimmungen installieren lassen. Andernfalls erlischt die Garantie. Der Hersteller haftet nicht für Schäden, die durch Aktivitäten nicht autorisierter Personen entstehen; zudem kann dadurch die Garantie erlöschen.



Die Vorbereitung des Aufstellungsortes und der elektrischen Anschlüsse sind Sache des Kunden.



GEFAHR:

Die Installation des Gerätes muss in Übereinstimmung mit sämtlichen zutreffenden Vorschriften zur Elektroinstallation erfolgen.



GEFAHR:

Gerät vor der Installation auf eventuelle, sichtbare Defekte untersuchen. Falls Defekte vorliegen, darf das Gerät nicht installiert werden.
Beschädigte Geräte müssen grundsätzlich als Sicherheitsrisiko betrachtet werden.

Vor der Installation

Das Gerät ist für den Einbau in handelsübliche Küchenmöbel vorgesehen. Zwischen Gerät und angrenzenden Küchenwänden und -möbeln

muss ein Sicherheitsabstand verbleiben. Siehe Abbildung auf der nächsten Seite (Angaben in mm)..

- Oberflächen, Kunststoffbeläge und verwendete Kleber müssen hitzebeständig sein (bis mindestens 100 °C).
- Küchenmöbel müssen waagrecht ausgerichtet und fixiert sein.
- Befindet sich unter dem Backofen eine Schublade, muss zwischen Backofen und Schublade ein Trennboden eingesetzt werden.
- Tragen Sie das Gerät grundsätzlich mit mindestens zwei Personen.



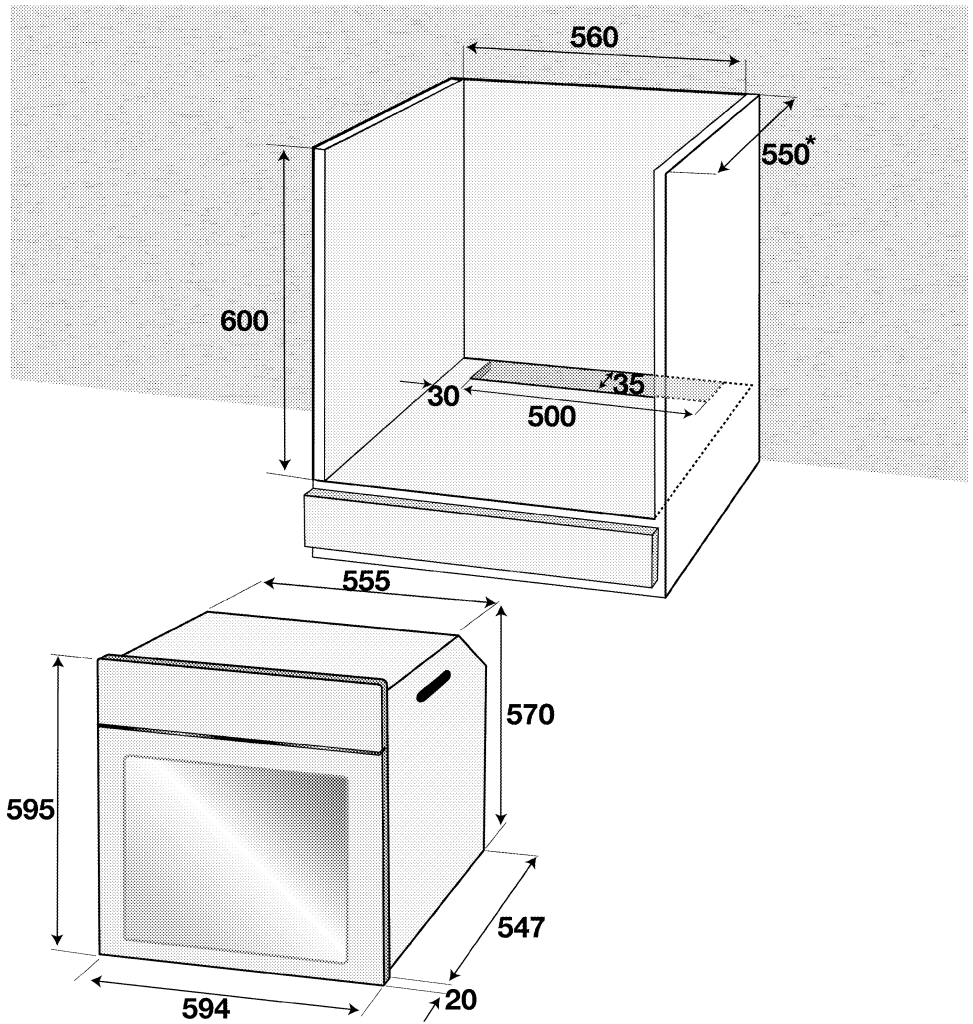
Stellen Sie das Gerät nicht neben Kühl- oder Gefriergeräten auf. Die Wärmeabgabe des Gerätes führt zu steigendem Energieverbrauch der Kühlgeräte.



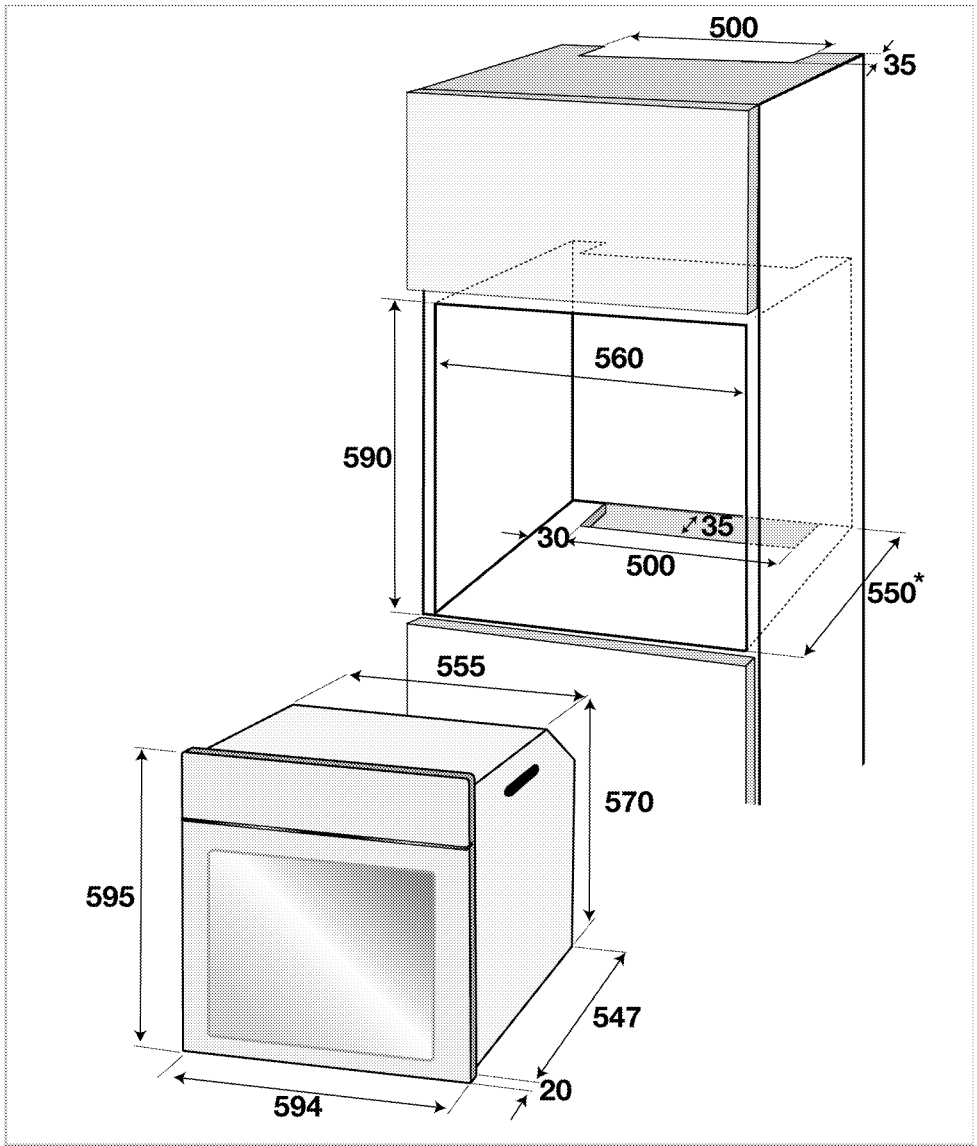
Missbrauchen Sie die Tür/den Türgriff nicht zum Anheben oder Bewegen des Gerätes.



Bei Geräten mit Drahtgriffen schieben Sie die Griffe nach dem Transport des Gerätes wieder in die Seitenwände zurück.



* Minimum



* Minimum

Einbauen und Anschließen

- Das Gerät darf nur nach den gesetzlichen Installationsvorschriften angeschlossen und installiert werden.

Elektrischer Anschluss

Schließen Sie das Gerät an eine geerdete Schutzkontaktsteckdose/Leitung an, die mit einer Sicherung passender Stromstärke abgesichert wird, siehe dazu den Abschnitt „Technische Daten“. Lassen Sie die Erdung in jedem Fall von einem qualifizierten Elektriker vornehmen oder überprüfen. Der Hersteller haftet nicht bei Schäden, die durch den Einsatz des Gerätes ohne vorschriftsmäßige Erdung entstehen.



GEFAHR:

Das Gerät darf nur von einer autorisierten Fachkraft an das Stromnetz angeschlossen werden. Die Garanzzeit beginnt erst mit der fachgerechten Installation. Der Hersteller haftet nicht für Schäden, die durch Aktivitäten nicht autorisierter Dritter entstehen.



GEFAHR:

Das Netzkabel darf nicht eingeklemmt, geknickt oder gequetscht werden und darf nicht mit heißen Geräteteilen in Berührung kommen. Beschädigte Netzkabel müssen durch einen zugelassenen Elektriker ausgetauscht werden. Andernfalls kann es zu Stromschlägen, Kurzschlüssen und Bränden kommen!

- Der Anschluss muss gemäß nationalen Richtlinien erfolgen.
- Die Netzanschlussdaten müssen mit den Daten auf dem Typenschild des Gerätes übereinstimmen. Das Typenschild finden Sie nach Öffnen der Ofentür an der Unterseite des Gerätes.
- Verwenden Sie nur Netzkabel, die den Angaben im Abschnitt „Technische Daten“ entsprechen.



GEFAHR:

Trennen Sie das Gerät vollständig von der Stromversorgung, bevor Sie mit der Elektroinstallation beginnen. Es besteht Stromschlaggefahr!

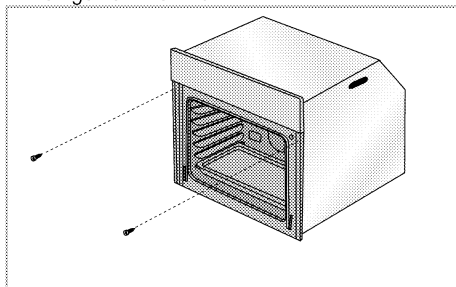


Der Netzstecker muss nach der Installation frei zugänglich bleiben, das Netzkabel darf jedoch nicht über das Gerät hinweg verlegt werden.

Stecken Sie den Netzstecker in die Steckdose.

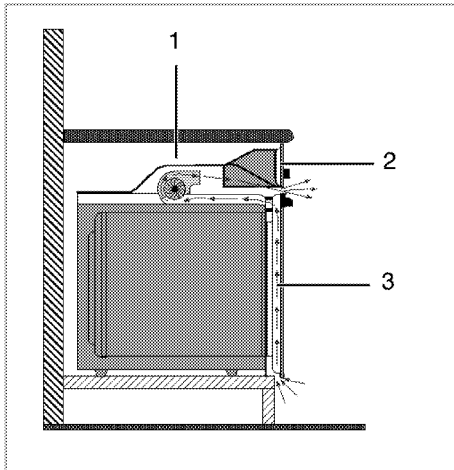
Gerät installieren

1. Schieben Sie den Backofen in die vorgesehene Nische/Küchenschrank, richten Sie ihn richtig aus und fixieren Sie ihn – achten Sie dabei unbedingt darauf, dass das Netzkabel nicht beschädigt oder eingeklemmt wird.



Fixieren Sie den Backofen wie in der Abbildung gezeigt mit zwei Schrauben.

Bei Geräten mit Lüfter



- 1 Lüfter
- 2 Bedienfeld
- 3 Tür

Der integrierte Lüfter kühlt den Einbauschrank und die Vorderseite des Gerätes.

i Der Kühlungslüfter läuft auch nach dem Abschalten des Backofens noch etwa 20 bis 30 Minuten lang nach.

Endkontrolle

1. Schalten Sie die entsprechende Sicherung ein.
2. Prüfen Sie die Funktion.

Transport

- Bewahren Sie den Originalkarton auf, falls Sie das Gerät künftig transportieren müssen. Halten Sie sich an die Hinweise auf dem Karton. Falls Sie den Originalkarton nicht mehr besitzen sollten, verpacken Sie das Gerät in Luftpolsterfolie oder starken Karton, anschließend gut mit Klebeband sichern.
- Damit Gitterroste und Bleche nicht zu Beschädigungen der Ofentür führen, schützen Sie die Ofentür von innen mit einem passenden Stück Karton. Fixieren Sie die Ofentür mit Klebeband.
- Verwenden Sie die Tür/den Türgriff nicht zum Anheben oder Bewegen des Gerätes.

- | | |
|----------|---|
| i | Legen Sie keine Gegenstände auf dem Gerät ab, bewegen Sie das Gerät grundsätzlich in aufrechter Position. |
| i | Überprüfen Sie das Gerät nach dem Transport genau, überzeugen Sie sich davon, dass es nicht zu Beschädigungen gekommen ist. |

4 Vorbereitungen

Tipps zum Energiesparen

Mit den folgenden Hinweisen nutzen Sie Ihr Gerät umweltbewusst und energiesparend:

- Verwenden Sie am besten dunkles oder emailliertes Kochgeschirr – dies leitet die Wärme besser.
- Lassen Sie den Backofen vorheizen, wenn dies durch Bedienungs- oder Zubereitungsanleitung empfohlen wird.
- Verzichten Sie bei der Zubereitung auf häufiges Öffnen der Backofentür.
- Bereiten Sie mehrere Gerichte gleichzeitig zu, sofern dies möglich ist. Dazu stellen Sie einfach mehrere Behälter auf den Gitterrost.
- Größere Gerichte und solche, deren Geschmack sich nicht gegenseitig beeinflussen soll, bereiten Sie nacheinander zu. Der Backofen ist dann bereits vorgeheizt.
- Sie können zusätzliche Energie sparen, indem Sie den Backofen ein paar Minuten vor Ende der Garzeit bereits abschalten. Verzichten Sie während der Zubereitung möglichst auf ein Öffnen der Backofentür.
- Tauen Sie gefrorene Gerichte vor der Zubereitung auf.

Erste Inbetriebnahme

Erste Zeiteinstellung

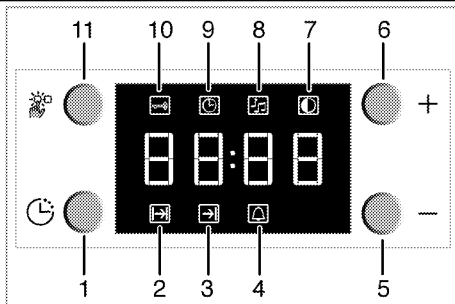


Die Uhrzeit muss eingestellt werden, bevor Sie den Backofen benutzen können. Der Backofen arbeitet erst nach dem Einstellen der Uhrzeit.



Bei der Ausführung von Einstellungen blinken die entsprechenden Symbole in der Anzeige.

Drücken Sie nach dem ersten Einschalten des Ofens zum Einstellen der Zeit „-“ oder „+“ (5/6)



- 1 Programmtaste
- 2 Garzeit
- 3 Garende
- 4 Alarm
- 5 Minus-Taste
- 6 Plus-Taste
- 7 Bildschirmhelligkeitseinstellungen
- 8 Alarmlautstärke
- 9 Aktuelle Zeit
- 10 Tastensperre
- 11 Einstelltaste

Nach dem Einstellen der Zeit können Sie Zubereitungsbeginn und -ende mit Temperatur- und Funktionstaste wählen.



Wenn die aktuelle Zeit noch nicht eingestellt ist, beginnt die Zeiteinstellung bei **12:00**.

Das Uhrensymbol '9' erscheint und zeigt an, dass die aktuelle Zeit noch nicht eingestellt wurde. Das Symbol verschwindet nach der Zeiteinstellung.



Bei einem Stromausfall geht die Zeiteinstellung verloren. Eine Neueinstellung ist erforderlich.

So ändern Sie die zuvor eingestellte Uhrzeit:

1. Mit (11) aktivieren Sie das Aktuelle Zeit-Symbol '9'.
2. Stellen Sie die aktuelle Zeit mit den Tasten „+“ / „-“ (5/6) ein.

Anzeigehelligkeit einstellen

1. Drücken Sie die Taste (11); das Symbol zur Einstellung der Anzeigehelligkeit '7' wird angezeigt.
2. Stellen Sie die gewünschte Helligkeit mit den Tasten „-“ / '+ ' (5/6) ein.

» Die ausgewählte Helligkeitsstufe wird mit **d-01**, **d-02** oder **d-03** angezeigt.

Erstreinigung des Gerätes



Durch bestimmte Reinigungsmittel können die Oberflächen des Gerätes beschädigt werden.

Verwenden Sie keine aggressiven Reinigungsmittel, keine Scheuermittel und keine scharfen oder spitzen Gegenstände bei der Reinigung.

1. Entfernen Sie sämtliches Verpackungsmaterial.
2. Geräteoberflächen mit einem feuchten Tuch oder Schwamm abwischen und mit einem Tuch trocknen.

Erstaufheizung

Lassen Sie das Gerät etwa 30 Minuten lang aufheizen, schalten Sie es anschließend ab. Auf diese Weise werden sämtliche Rückstände und Beschichtungen durch Abbrennen entfernt.



WARNUNG

Verbrennungsgefahr durch heiße Flächen!

Das Gerät kann sich im Betrieb stark aufheizen. Berührung Sie niemals heiße Brenner, das Innere des Backofens, Heizelemente und so weiter. Halten Sie Kinder fern.

Tragen Sie grundsätzlich hitzebeständige Schutzhandschuhe, wenn Sie etwas in den Backofen stellen oder herausnehmen.

Elektroofen

1. Nehmen Sie sämtliches Zubehör (z. B. Backbleche und Gitterrost) aus dem BackOfen heraus.
2. Schließen Sie die BackOfentür.
3. Wählen Sie die Einstellung „Ober- und Unterhitze“.
4. Wählen Sie die höchste Ofentemperatur; Siehe "*So bedienen Sie den Backofen, Seite 19*".
5. Lassen Sie den BackOfen etwa 30 Minuten lang arbeiten.
6. Schalten Sie den BackOfen ab; Siehe "*So bedienen Sie den Backofen, Seite 19*".

Grill

1. Nehmen Sie sämtliches Zubehör (z. B. Backbleche und Gitterrost) aus dem BackOfen heraus.
2. Schließen Sie die BackOfentür.
3. Wählen Sie die höchste Temperatureinstellung; Siehe "*So bedienen Sie den Grill, Seite 24*".
4. Lassen Sie den Grill etwa 30 Minuten lang arbeiten.
5. Schalten Sie den Grill ab; Siehe "*So bedienen Sie den Grill, Seite 24*".



Bei der ersten Inbetriebnahme kann es über mehrere Stunden zu Rauch- und Geruchsentwicklung kommen. Dies ist völlig normal. Lüften Sie den Raum gut durch, damit Rauch und Gerüche schnell abziehen können. Atmen Sie die Dämpfe möglichst nicht ein.

5 Bedienung des Backofens

Allgemeine Hinweise zum Backen, Braten und Grillen



WARNUNG

Verbrennungsgefahr durch heiße Flächen!

Das Gerät kann sich im Betrieb stark aufheizen. Berührung Sie niemals heiße Brenner, das Innere des Backofens, Heizelemente und so weiter. Halten Sie Kinder fern.

Tragen Sie grundsätzlich hitzebeständige Schutzhandschuhe, wenn Sie etwas in den Backofen stellen oder herausnehmen.



GEFAHR:

Öffnen Sie die Backofentür vorsichtig: Heißer Dampf kann austreten. Der austretende Dampf kann zu Verbrühungen von Händen, Gesicht und Augen führen.

Tipps zum Backen

- Benutzen Sie Metallgeschirr mit Antihaffbeschichtung oder hitzebeständige Silikonformen.
- Nutzen Sie den Platz auf dem Gitterrost gut aus.
- Stellen Sie Backformen in die Mitte des Gitterrostes.
- Wählen Sie die richtige Einschubposition, bevor Sie Backofen oder Grill einschalten. Wechseln Sie die Einschubposition nicht, solange der Backofen heiß ist.
- Halten Sie die Backofentür geschlossen.

Tipps zum Rösten

- Eine Würzmischung aus Zitronensaft und schwarzem Pfeffer sorgt für eine besonders schmackhafte Zubereitung von ganzen Hühnern, Puten und größeren Fleischportionen.
- Fleisch mit Knochen braucht etwa 15 – 30 Minuten länger zum Garen als dieselbe Menge Fleisch ohne Knochen.

- Jeder Zentimeter an Fleischdicke braucht etwa 4 – 5 Minuten mehr an Garzeit.
- Lassen Sie Fleisch nach Ablauf der Garzeit noch etwa 10 Minuten im Backofen ruhen. Der Fleischsaft verteilt sich so gleichmäßiger im Braten und läuft beim Anschneiden nicht aus.
- Fisch stellen Sie auf einem hitzebeständigem Teller möglichst in der mittleren oder unteren Einschubposition in den Backofen.

Tipps zum Grillen

Fleisch, Geflügel und Fisch werden durch das Grillen schnell braun, bekommen eine schöne Kruste und trocknen dabei nicht aus. Insbesondere flache Stücke, Fleischspieße und Würstchen sowie Gemüse mit hohem Wasseranteil (wie Tomaten oder Zwiebeln) sind zum Grillen gut geeignet.

- Verteilen Sie das Grillgut so auf dem Gitterrost, dass es nicht über die Kanten des Gitterrostes hinausragt.
- Schieben Sie den Gitterrost (mit darunter eingeschobener Tropfschale) in die richtige Einschubposition. Vergessen Sie nicht, die Tropfschale beim Grillen in den untersten Einschub einzuschieben, damit das Fett aufgefangen wird. Geben Sie etwas Wasser in die Tropfschale – so wird die Reinigung einfacher.



Lebensmittel, die nicht zum Grillen geeignet sind, können sich im schlimmsten Fall entzünden. Grillen Sie nur Lebensmittel, die bei der starken Hitze beim Grillen keinen Schaden nehmen.

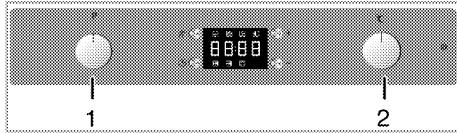
Platzieren Sie das Grillgut nicht nahe der Backofenrückwand. Dort wird es besonders heiß, fettes Grillgut kann in Brand geraten.

So bedienen Sie den Backofen



Die Uhrzeit muss eingestellt werden, bevor Sie den Backofen benutzen können. Der Backofen arbeitet erst nach dem Einstellen der Uhrzeit.

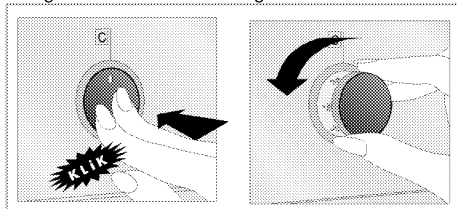
Temperatur und Betriebsart einstellen



- 1 Funktionsknopf
- 2 Temperaturknopf

Ihr Ofen ist mit Knöpfen ausgestattet, die bei Betätigung herauspringen.

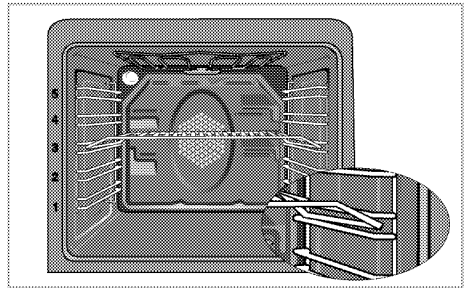
1. Drücken Sie den Knopf zum Herauspringen nach unten; nehmen Sie dann die gewünschte Einstellung vor.



2. Nach Abschluss des Garens drehen Sie den Knopf in die Aus-Position (oben) und drücken ihn hinein.
 1. Stellen Sie den Funktionswähler auf die gewünschte Temperatur ein.
 2. Stellen Sie den Funktionswähler auf die gewünschte Betriebsart ein.
- » Der Ofen heizt sich auf die eingestellte Temperatur auf und hält diese aufrecht. Während des Aufheizens bleibt die Temperaturleuchte eingeschaltet.

Backofen ausschalten

Bringen Sie Funktions- und Temperatureinstellungsknopf in die obere Position (Aus).



Einschubpositionen (bei Modellen mit Grillrost)

Es ist wichtig, dass der Grillrost richtig in die Einschübe eingesetzt wird. Setzen Sie den Grillrost wie in der Abbildung gezeigt in den Einschub ein.

Achten Sie darauf, dass der Grillrost nicht die Rückwand des Ofens berührt. Schieben Sie den Rost daher nur so weit ein, bis sich die Backofentür problemlos schließen lässt – so funktioniert der Grill am besten.

Betriebsarten

Die hier gezeigte Reihenfolge der Betriebsarten kann je nach Gerätemodell etwas abweichen.

Ober- und Unterhitze



Ober- und Unterhitze werden eingesetzt. Das Gargut wird gleichzeitig von oben und unten erhitzt. Diese Betriebsart eignet sich beispielsweise für Kuchen, Gebäck und Aufläufe. Nur ein Blech verwenden.

Unterhitze



Bei dieser Betriebsart wird lediglich das untere Heizelement eingesetzt. Geeignet z. B. für Pizza und zum Nachbräunen von unten.

Ober-/Unterhitze mit Umluft



Bei dieser Betriebsart werden Oberhitze, Unterhitze und Umluft (hinteres Heizelement) eingesetzt. Durch den Lüfter wird heiße Luft schnell gleichmäßig im Backofen verteilt. Nur ein Blech verwenden.

Grill, groß



Der große Grill an der Oberseite des Backofens ist in Betrieb. Diese Betriebsart eignet sich insbesondere zum Grillen größerer Fleischmengen.

- Stellen Sie mittelgroße bis große Portionen auf dem richtigen Einschub direkt unter das Grillelement.
- Stellen Sie die maximale Temperatur ein.
- Wenden Sie das Grillgut nach der Hälfte der Garzeit.

Grill + Umluft (Grill+Fan)



Der Grilleffekt ist nicht so stark wie bei Flächengrill

- Kleine oder mittelgroße Portionen in der richtigen Einschubposition unter dem Grill-Heizkörper grillen.
- Stellen Sie die gewünschte Temperatur ein.
- Wenden Sie das Grillgut nach der Hälfte der Garzeit.

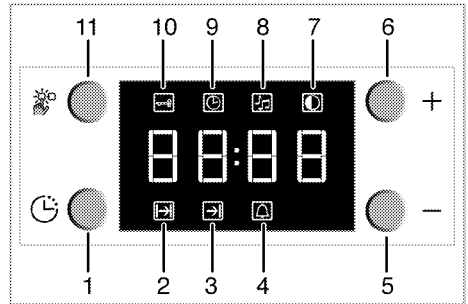
Schnellheizen



Diese Funktion dient dazu, den Backofen schnell aufzuheizen; sie eignet sich nicht zum Garen von Speisen.

- Stellen Sie nach der Auswahl dieser Funktion die gewünschte Temperatur ein. Die Temperaturleuchte schaltet sich ein, der Backofen wird aufgeheizt.
- Nach dem Aufheizen schaltet sich die Leuchte aus. Dann stellen Sie die gewünschte Funktion zum Garen ein.

Ofenuhr verwenden



- 1 Programmtaste
- 2 Garzeit
- 3 Garende
- 4 Alarm
- 5 Minus-Taste
- 6 Plus-Taste
- 7 Bildschirmhelligkeitseinstellungen
- 8 Alarmlautstärke
- 9 Aktuelle Zeit
- 10 Tastensperre
- 11 Einstelltaste

	Die maximal einstellbare Zeit bis zum Garzeitende beträgt 5 Stunden 59 Minuten. Bei Stromausfällen wird die aktuelle Betriebsart aufgehoben. Sie müssen den Backofen also wieder neu einstellen.
	Wenn Sie Einstellungen ändern, blinken die entsprechenden Symbole in der Anzeige. Bitte warten Sie einen Moment ab, bis die Einstellungen in Kraft treten.
	Falls keine Gareinstellungen vorgenommen werden, kann die Uhrzeit nicht eingestellt werden.
	Die Garzeit wird angezeigt, sobald das Gerät arbeitet.

Garen mit Angabe der Garzeit:

Sie können den Ofen durch Vorgabe der Garzeit so einstellen, dass Ihr Gericht zu einer bestimmten Zeit servierbereit ist.

1. Drücken Sie zum Anpassen der Garzeit die Programmtaste (1) und aktivieren das Garzeitsymbol (2).
2. Stellen Sie das Garzeit mit den Tasten – / + (5/6) ein.

» Nachdem die Garzeit eingestellt wurde, leuchtet das Garsymbol dauerhaft.

Wenn Sie das Ende der Garkeit verzögern möchten:

Nach der Einstellung der Garzeit können Sie das Garzeitende auf einen späteren Zeitpunkt verschieben.

1. Drücken Sie zum Anpassen der Garzeit die Programmtaste (1) und aktivieren das Garzeitsymbol (2).
2. Passen Sie die Garzeit mit der Minus- (5) und Plus-Taste (6) an.

» Nach dem Einstellen der Garzeit leuchtet das Garzeitsymbol weiter.

3. Drücken Sie zum Einstellen des Garzeitendes die Programmtaste (1) und aktivieren das Garzeitsymbol (3).
4. Stellen Sie das Garzeitende mit den Tasten – (5) und + (6) ein.

» Nach dem Festlegen des Garzeitendes leuchten Garzeitende- und Garsymbol dauerhaft. Das Garzeitende-Symbol (3) verschwindet, sobald das Garen beginnt.


5. Schieben Sie die Lebensmittel in den Ofen.

6. Wählen Sie Betriebsart und Temperatur.

» Der Ofentimer berechnet die Garen-Startzeit anhand von Garzeitende und Garzeit automatisch. Beim Erreichen der Startzeit wird der ausgewählte Betriebsmodus automatisch eingestellt und der Ofen auf die festgelegte Temperatur vorgeheizt. Diese Temperatur wird bis zum Garzeitende beibehalten.

7. Nach Abschluss des Garens erscheint „**End (Ende)**“ in der Anzeige, Sie hören einen Signalton.

8. Das Tonsignal erklingt 2 Minuten lang. Zum Abstellen des Alarmsignals drücken Sie eine beliebige Taste. Das Signal verstummt, die aktuelle Zeit wird angezeigt.



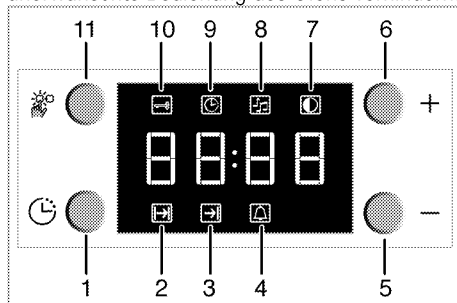
Wenn Sie den Alarm durch Drücken einer beliebigen Taste abschalten, schaltet sich der Ofen wieder ein. Wenn Sie nach Abschluss des Alarms eine beliebige Taste drücken, schaltet sich der Ofen wieder ein.

9. Schalten Sie den Ofen mit dem Temperaturknopf und Funktionswähler ab.

Tastensperre Kindersicherung

Tastensperre einschalten

Mit der Tastensperre können Sie die unerwünschte Bedienung des Ofens verhindern.



- 1 Programmtaste
- 2 Garzeit
- 3 Garende
- 4 Alarm
- 5 Minus-Taste
- 6 Plus-Taste
- 7 Bildschirmhelligkeitseinstellungen
- 8 Alarmlautstärke
- 9 Aktuelle Zeit
- 10 Tastensperre
- 11 Einstelltaste

1. Drücken Sie zum Aktivieren des Tastensperre-Symbols (10) die Taste (11).

» „**OFF (Aus)**“ erscheint in der Anzeige.

2. Aktivieren Sie die Tastensperre mit der '+'-Taste (6).

» Sobald die Tastensperre aktiviert ist, erscheint „**On (Ein)**“ in der Anzeige und das Tastensperre-Symbol (10) leuchtet weiter.



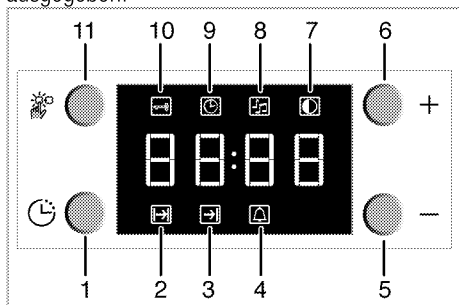
Bei aktiver Tastensperre sind sämtliche Tasten des Bedienfeldes mit Ausnahme der Taste (11) gesperrt.

Tastensperre ausschalten

1. Drücken Sie zum Aktivieren des Tastensperre-Symbols (10) die Einstelltaste (11).
- » „On (Ein)“ erscheint in der Anzeige.
2. Schalten Sie die Tastensperre mit der '-' Taste (5) ab.
- » Nach dem Abschalten der Tastensperre wird „OFF (Aus)“ angezeigt.

Alarmfunktion

Sie können die Alarmfunktion des Gerätes als Kurzzeitwecker einsetzen, wenn Sie sich an etwas erinnern lassen möchten. Der Kurzzeitwecker hat keinen Einfluss auf die Funktionen des Backofens. Er wird lediglich zur Erinnerung eingesetzt. Dies ist beispielsweise sinnvoll, wenn Sie Speisen nach einer bestimmten Zeit wenden müssen. Nach Ablauf der eingestellten Zeit wird ein Tonsignal ausgegeben.



- 1 Programmtaste
- 2 Garzeit
- 3 Garende
- 4 Alarm
- 5 Minus-Taste
- 6 Plus-Taste
- 7 Bildschirmhelligkeitseinstellungen
- 8 Alarmlautstärke
- 9 Aktuelle Zeit
- 10 Tastensperre
- 11 Einstelltaste

Alarmfunktion einstellen

1. Drücken Sie zum Aktivieren des Alarmzeitsymbols (4) die Programmtaste (1).



Die Alarmfunktion kann auf maximal 23 Stunden und 59 Minuten eingestellt werden.

2. Passen Sie die Alarmzeit mit der '-' / '+' (5/6) Taste an.
- » Das Alarmsymbol leuchtet weiter und die Alarmzeit erscheint in der Anzeige, sobald die Alarmzeit eingestellt ist.
3. Am Ende der Alarmzeit beginnt das Alarmzeitsymbol (4) zu blinken und der Signalton wird ausgegeben.

Alarm abschalten

1. Drücken Sie zum Abstellen des Alarmsignals eine beliebige Taste.
- » Das Signal verstummt, die aktuelle Zeit wird angezeigt.

Falls Sie die Alarmfunktion abbrechen möchten:

1. Zum Rücksetzen der Alarmzeit drücken Sie die Programmtaste (1); das Alarmzeitsymbol (4) leuchtet auf.
2. Halten Sie die '-' (5) Taste gedrückt, bis "00:00" angezeigt wird.



Die Alarmzeit wird angezeigt. Wenn sowohl Alarmzeit als auch Garzeit vorgegeben wurden, wird die jeweils kürzere Zeit angezeigt.

Signalton ändern

1. Drücken Sie zum Aktivieren des Alarmtonsymbols (8) die Einstelltaste (11).
 2. Passen Sie den gewünschten Ton mit der '-' / '+' (5/6) Taste an.
- » Der ausgewählte Alarmton wird mit "b-01", "b-02" oder "b-03" angezeigt.

Garzeitentabelle



Die Zeitangaben in dieser Tabelle sollen als Richtwerte dienen. Zeitangaben können aufgrund von Temperatur, Dicke, Typ der Lebensmittel und Ihren eigenen Vorlieben abweichen.

Backen und Braten



Der erste Einschub ist der **untere** Einschub.

Gericht	Leistungsstufe		Einschubposition	Temperatur (°C)	Gardauer (ca.- Angabe in Min.)
**Kuchenblech	Einschub 1		3	175	25 ... 30
**Kuchen, Form	Einschub 1		2	175	40 ... 50
**Kuchen in Backpapier	Einschub 1		3	175	25 ... 30
**Biskuitkuchen	Einschub 1		3	200	5 ... 10
**Kekse	Einschub 1		3	175	25 ... 30
**Teiggebäck	Einschub 1		2	200	30 ... 40
**Teilchen	Einschub 1		2	200	25 ... 35
**Sauerteig	Einschub 1		2	200	35 ... 45
**Lasagne	Einschub 1		2 - 3	200	30 ... 40
**Pizza	Einschub 1		2	200 ... 220	15 ... 20
Rindersteak (ganz)/Braten	Einschub 1		3	25 Min. bei 250 max., dann 180 ... 190	100 ... 120
Lammkeule (Auflauf)	Einschub 1		3	25 Min. bei 220, dann 180 ... 190	70 ... 90
Brathähnchen	Einschub 1		2	15 Min. bei 250 max., dann 180 ... 190	55 ... 65
Pute (5,5 kg)	Einschub 1		1	25 Min. bei 250 max., dann 180 ... 190	150 ... 210
Fisch	Einschub 1		3	200	20 ... 30

(**) Wenn vorgeheizt werden muss, lassen Sie den Ofen zu Beginn vorheizen, bis die Temperaturleuchte erlischt.

Tipps zum Kuchenbacken

- Falls Gebäck zu trocken wird, erhöhen Sie die Temperatur etwas und vermindern gleichzeitig die Garzeit.
- Werden Kuchen zu feucht, reduzieren Sie die Flüssigkeiten oder senken die Temperatur um 10 °C.
- Sofern die Oberseite des Kuchens zu stark gebräunt wird, backen Sie etwas länger mit reduzierter Temperatur.
- Wenn der Kuchen außen gut gelingt, innen jedoch noch klebrig ist, geben Sie weniger Flüssigkeit hinzu, senken die Temperatur und verlängern dafür die Garzeit etwas.

Tipps für Gebäck

- Falls Gebäck zu trocken wird, erhöhen Sie die Temperatur etwas und vermindern gleichzeitig die Garzeit. Befeuchten Sie den Teig mit einer Mischung aus Milch, Öl, Ei und Joghurt.

- Sollte Gebäck sehr lange zum Garen benötigen, achten Sie darauf, dass das Gebäck nicht über die Oberkante des Backblechs hinausragt.
- Wird Gebäck an der Oberseite gut gebräunt, innen jedoch nicht richtig gar, achten Sie darauf, dass sich Flüssigkeiten nicht am Boden des Gebäcks konzentrieren. Versuchen Sie, Flüssigkeitsmischungen gleichmäßig zwischen den Teigschichten zu verteilen; so erreichen Sie eine gleichmäßige Bräunung.



Halten Sie sich beim Backen an die Betriebsart- und Temperaturempfehlungen der Zubereitungstabelle. Falls die Unterseite nicht ausreichend gebräunt wird, nutzen Sie beim nächsten Mal den nächstniedrigeren Einschub.

Tipps zur Zubereitung von Gemüse

- Falls Gemüsegerichte zu trocken werden, bereiten Sie diese in einem Geschirr mit Deckel statt auf dem Blech zu. Geschlossene Behälter sorgen dafür, dass nicht zu viel Flüssigkeit verloren wird.

- Falls Gemüsegerichte nicht richtig gar werden, kochen Sie das Gemüse zuvor und geben es erst danach in den Ofen.

So bedienen Sie den Grill



Die Uhrzeit muss eingestellt werden, bevor Sie den Backofen benutzen können. Der Backofen arbeitet erst nach dem Einstellen der Uhrzeit.



WARNUNG

Backofentür beim Grillen geschlossen halten.
Verbrennungsgefahr durch heiße Flächen!

Grill einschalten

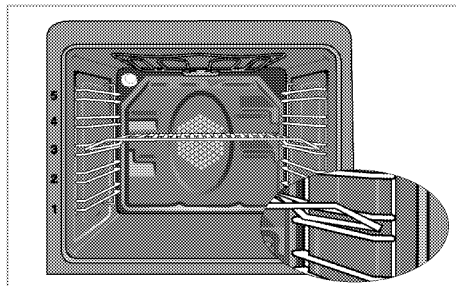
- Drehen Sie den Funktionswähler auf das gewünschte Grillsymbol.
 - Wählen Sie dann die gewünschte Grilltemperatur.
 - Heizen Sie den Grill bei Bedarf etwa 5 Minuten vor.
- » Die Temperaturleuchte schaltet sich ein.

Grill ausschalten

- Drehen Sie den Funktionswähler in die Aus-Position (oben).

Einschubpositionen

Die Grillleistung nimmt ab, wenn der Grillrost die Rückwand des Ofens berührt. Schieben Sie den Rost daher nur so weit ein, bis sich die Backofentür problemlos schließen lässt – so funktioniert der Grill am besten.



Lebensmittel, die nicht zum Grillen geeignet sind, können sich im schlimmsten Fall entzünden. Grillen Sie nur Lebensmittel, die bei der starken Hitze beim Grillen keinen Schaden nehmen.

Platzieren Sie das Grillgut nicht nahe der Backofenrückwand. Dort wird es besonders heiß, fettes Grillgut kann in Brand geraten.

Garzeitentabelle zum Grillen

Elektrischer Grill

Speise	Einschubebene	Grilldauer (ca.)
Fisch	4..5	20...25 Min. #
Hühnerklein	4..5	25...35 Min.
Lammkoteletts	4..5	20...25 Min.
Rinderbraten	4..5	25...30 Min. #
Kalbskoteletts	4..5	25...30 Min. #
Toastbrot	4	1...2 min.
# je nach Dicke		

6 Reinigung und Wartung

Allgemeine Hinweise

Durch regelmäßiges Reinigen verlängern Sie die Lebenserwartung Ihres Gerätes und beugen Fehlfunktionen vor.



GEFAHR:

Trennen Sie das Gerät von der Stromversorgung, bevor Sie es reinigen.
Es besteht Stromschlaggefahr!



GEFAHR:

Lassen Sie das Gerät vor dem Reinigen gründlich abkühlen.
Verbrennungsgefahr durch heiße Flächen!

- Reinigen Sie das Gerät nach jedem Gebrauch gründlich. Dadurch lassen sich Speisereste leichter entfernen und können sich beim nächsten Einsatz des Backofens nicht einbrennen.
- Zur Reinigung benötigen Sie keine Spezialreiniger. Verwenden Sie am besten warmes Wasser mit etwas herkömmlichem Reiniger, ein weiches Tuch oder einen Schwamm. Anschließend mit einem Tuch trocknen.
- Achten Sie stets darauf, überschüssige und verschüttete Flüssigkeiten nach der Reinigung gründlich ab- bzw. aufzuwischen.
- Wenn Sie Edelstahl und Griffe reinigen verzichten Sie auf Reinigungsmittel, die Säuren oder Chlor enthalten. Reinigen Sie diese Teile mit einem weichen Tuch und etwas Flüssigreiniger (kein Scheuermittel); wischen Sie dabei am besten nur in eine Richtung.



Durch bestimmte Reinigungsmittel können die Oberflächen des Gerätes beschädigt werden.

Verwenden Sie keine aggressiven Reinigungsmittel, keine Scheuermittel und keine scharfen oder spitzen Gegenstände bei der Reinigung.



Nutzen Sie keine Dampfreiniger zur Reinigung des Gerätes – es besteht Stromschlaggefahr.

Bedienfeld reinigen

Reinigen Sie Bedienfeld und Knöpfe mit einem feuchten Tuch; anschließend trocken reiben.

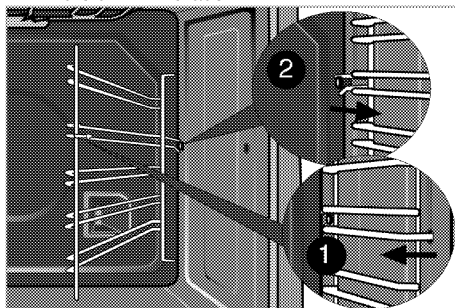


Ziehen Sie die Knöpfe zum Reinigen des Bedienfelds nicht ab.
Das Bedienfeld kann beschädigt werden!

Backofen reinigen

So reinigen Sie die Seitenwand

1. Lösen Sie den vorderen Bereich der seitlichen Halterungen, indem Sie diese von der Seitenwand wegziehen.
2. Ziehen Sie die seitliche Halterung komplett zu sich hin heraus.



Katalytische Seitenwände

Seitenwände und Rückwand des Backofens können mit katalytischer Emaille beschichtet sein. Die katalytischen Seitenwände des Backofens müssen nicht gereinigt werden. Die poröse Oberfläche der Seitenwände sorgt für eine Selbstreinigung, indem Fettspritzer aufgesaugt und umgewandelt werden (Wasserdampf und Kohlendioxid).

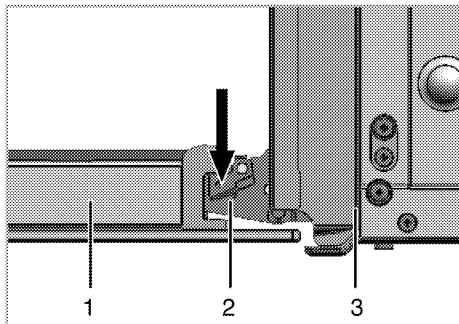
Backofentür reinigen

Verwenden Sie zum Reinigen der Backofentür am besten warmes Wasser mit etwas herkömmlichem Reiniger, ein weiches Tuch oder einen Schwamm. Anschließend mit einem Tuch trocknen.

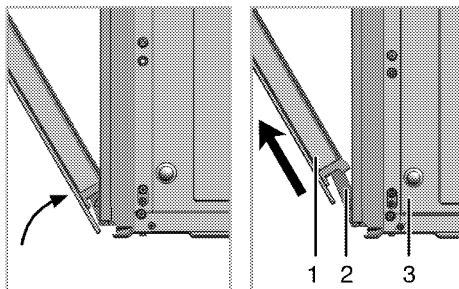
i Verzichten Sie bei der Reinigung der Backofentür auf aggressive Reinigungsmittel und auf scharfkantige Schaber aus Metall. Solche Hilfsmittel können die Oberflächen zerkratzen und das Glas beschädigen.

Backofentür ausbauen

1. Öffnen Sie die Backofentür (1).
2. Öffnen Sie die Clips am Scharniergehäuse links und rechts der Backofentür, indem Sie diese wie in der Abbildung gezeigt nach unten drücken.



- 1 Backofentür
- 2 Scharnier
- 3 Backofen



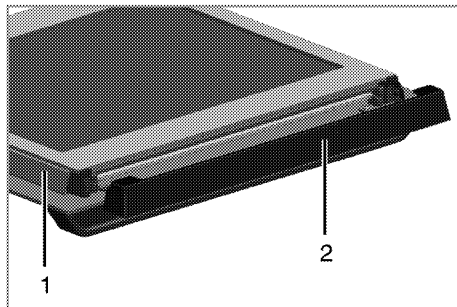
3. Öffnen Sie die Backofentür zur Hälfte.
4. Nehmen Sie die Ofentür heraus, indem Sie diese etwas anheben und von den Scharnieren rechts und links lösen.

i Zum Einbau führen Sie die obigen Schritte wieder in umgekehrter Reihenfolge aus. Vergessen Sie nicht, die Clips am Scharniergehäuse nach dem Wiedereinsetzen der Tür wieder zu schließen.

Türinnenscheibe ausbauen

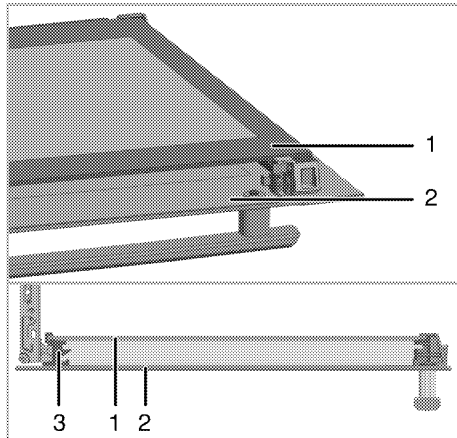
Die Türinnenscheibe kann zur Reinigung ausgebaut werden.

Öffnen Sie die Backofentür.



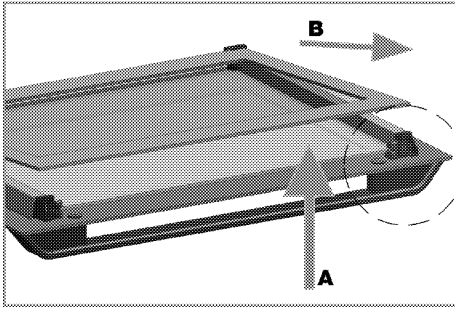
- 1 Rahmen
- 2 Kunststoffteil

Ziehen Sie das im oberen Bereich der Fronttür installierte Kunststoffteile zu sich heraus.



- 1 Innenscheibe
- 2 Äußere Glasscheibe
- 3 Scheibenkunststoffschlitz, unten

Heben Sie die innerste Scheibe (1) wie in der Abbildung gezeigt leicht in Richtung A an, ziehen Sie sie in Richtung B heraus.



Achten Sie bei der Anbringung der inneren Scheibe (1) darauf, dass die bedruckte Seite der Scheibe nach innen zeigt.

Es ist wichtig, die untere Kante der inneren Scheibe im unteren Kunststoffschlitz einzusetzen.

Drücken Sie das Kunststoffteil gegen den Rahmen, bis es mit einem Klickgeräusch einrastet.

Beleuchtung des Backofens auswechseln



GEFAHR:

Bevor Sie die Beleuchtung des Backofens auswechseln, sorgen Sie dafür, dass das Gerät vollständig von der Stromversorgung getrennt und komplett abgekühlt ist; ansonsten droht Verbrennungs- und Stromschlaggefahr. Verbrennungsgefahr durch heiße Flächen!



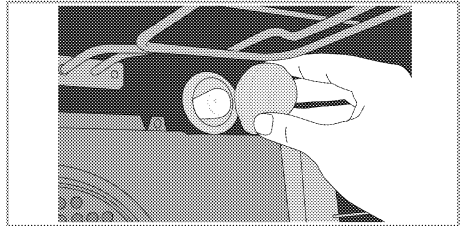
Als Leuchtmittel wird eine spezielle Glühlampe eingesetzt, die für Temperaturen bis 300 °C ausgelegt ist. Weitere Hinweise finden Sie in "Technische Daten, Seite 10". Passende Leuchtmittel erhalten Sie beim autorisierten Kundendienst.



Die Position der Beleuchtung kann etwas von der Abbildung abweichen.

Wenn Ihr Ofen mit einer runden Leuchte ausgestattet ist:

1. Trennen Sie das Gerät vollständig von der Stromversorgung.
2. Schrauben Sie die Glasabdeckung gegen den Uhrzeigersinn ab.



3. Drehen Sie die Lampe gegen den Uhrzeigersinn heraus, setzen Sie eine neue Lampe ein.
4. Glasabdeckung wieder anbringen.

7 Problemlösungen

Aus dem Backofen tritt im Betrieb Dampf aus.

- Während des Betriebs ist ein Dampfaustritt normal. >>> *Dies ist kein Fehler.*

Beim Aufheizen und Abkühlen sind metallische Geräusche zu hören.

- Wenn sich die Temperatur von Metallteilen ändert, dehnen sich diese aus oder ziehen sich zusammen – dabei entstehen Geräusche. >>> *Dies ist kein Fehler.*

Das Gerät funktioniert nicht.

- Die Sicherung ist durchgebrannt oder ausgelöst. >>> *Kontrollieren Sie die Sicherungen im Sicherungskasten. Bei Bedarf austauschen oder zurücksetzen.*
- Das Gerät ist nicht richtig an die (geerdete) Steckdose angeschlossen. >>> *Überprüfen Sie die Steckerverbindung.*
- Die Tasten/Knöpfe am Bedienfeld funktionieren nicht. >>> *Die Tastensperre ist eventuell aktiv. Bitte abschalten. (Siehe Tastensperre Kindersicherung, Seite 21)*

Die Ofenbeleuchtung funktioniert nicht.

- Das Leuchtmittel ist defekt. >>> *Tauschen Sie das Leuchtmittel aus.*
- Die Stromversorgung wurde unterbrochen. >>> *Überprüfen Sie die Stromversorgung. Kontrollieren Sie die Sicherungen im Sicherungskasten. Sicherungen bei Bedarf austauschen oder zurücksetzen.*

Backofen heizt nicht.

- Falsche Funktion ausgewählt und/oder Temperatur nicht richtig eingestellt. >>> *Stellen Sie Funktion und Temperatur entsprechend ein.*
- Bei Modellen mit Timer ist der Timer eventuell nicht richtig eingestellt. >>> *Stellen Sie die richtige Zeit ein.*
(Bei Produkten mit Mikrowellenofen kontrolliert der Timer nur die Mikrowelle.)
- Die Stromversorgung wurde unterbrochen. >>> *Überprüfen Sie die Stromversorgung. Kontrollieren Sie die Sicherungen im Sicherungskasten. Sicherungen bei Bedarf austauschen oder zurücksetzen.*

(Bei Modellen mit Timer:) Die Uhrzeitanzeige blinkt oder das Uhrensymbold leuchtet.

- Es gab einen Stromausfall. >>> *Stellen Sie die aktuelle Uhrzeit ein, schalten Sie das Gerät aus und anschließend wieder ein.*



Falls sich ein Problem nicht mit den obigen Hinweisen lösen lassen sollte, wenden Sie sich bitte an den autorisierten Kundendienst oder an den Händler, bei dem Sie das Gerät gekauft haben. Versuchen Sie niemals, ein defektes Gerät selbst zu reparieren.

מוקד שרות, תמיכה
ורכישת חלפים ארצי
טלפון: 074-7222621

או

2620 * מכל טלפון
רח' הצורף 3 חולון 58856



TADIRAN De Dietrich Blomberg CRYSTAL Amana SAMCOR AEG SPECTRA MAYTAG DAEVOO

רח' הסיבים 19 קריית מטלון, כתח-תקוה ת.ד. 7062 מיקוד 49170

285.4420.05/R.AA/17.05.2013

Download from www.Somanuals.com. All Manuals Search And Download.

התנור פולט אדים כשהוא נמצא בשימוש.

• פליטת אדים במהלך ההפעלה היא תופעה רגילה >>> אין זו תקלה.

המוצר פולט רעש מתכתי במהלך החימום והקיור.

• כאשר החלקים המתכתיים מתחממים, הם עשויים להתרחב ולגרום לרעש >>> אין זו תקלה.

המוצר אינו פועל.

• הנתיך החשמל פגום או אם יש בו תקלה >>> בדוק את הנתיכים בתיבת הנתיכים. החלף אותם או אפס אותם, לפי הצורך.

• תקע המוצר לא הוכנס לשקע) המוארק >>> (בדוק את חיבור התקע.

• הלחצנים/כפתורים/מקשים שבלוח הבקרה אינם פועלים >>> ייתכן שנעילת המקשים מופעלת. השבת אותה). ראה. שימוש בנעילת המקשים, עמוד 22)

נורת התנור אינה פועלת.

• נורת התנור פגומה >>> החלף את נורת התנור.

• אין אספקת חשמל >>> בדוק אם קיימת אספקת חשמל. בדוק את הנתיכים בתיבת הנתיכים. החלף אותם או אפס אותם, לפי הצורך.

התנור אינו חם.

• הפונקציה ו/או הטמפרטורה אינן מוגדרות - >>> הגדר את הפונקציה ואת הטמפרטורה בעזרת כפתור/מקש הפונקציות ו/או הטמפרטורות.

• בדגמים בעלי קוצב זמן, קוצב הזמן אינו מכוונן >>> כוונן את הזמן.

(במוצרים בעלי תנור מיגרוגל, קוצב הזמן שולט רק בתנור המיקרוגל.)

• אין אספקת חשמל >>> בדוק אם קיימת אספקת חשמל. בדוק את הנתיכים בתיבת הנתיכים. החלף אותם או אפס אותם, לפי הצורך.

(בדגמים הכוללים קוצב זמן) תצוגת השעון מהבהבת או שסמל השעון דולק.

• אירועה הפסקת חשמל קודמת >>> >>> כוונן את קוצב הזמן של המוצר והפעל אותו שוב.



היוועץ בנציג שירות מורשה או במפיץ שאצלו רכשת את המוצר, אם אינך יכול לפתור את הבעיה, על אף שפעלת בהתאם להוראות שבפרק זה. אל תנסה לתקן מוצר פגום בעצמך.

החלפת נורת התנור

סכנה:



לפני החלפת נורת התנור, ודא שהמכשיר מנותק מהחשמל ושהספיק להתקרר, כדי למנוע סכנת התחשמלות. משטחים חמים עלולים לגרום לכוויות!

נורת התנור היא נורת חשמל מיוחדת שיכולה לעמוד בפני חום המגיע ל- 300°C לפרטים, ראה מפרטים טכניים, עמוד 9. את נורות התנור ניתן לרכוש מנציגי שירות מורשים.

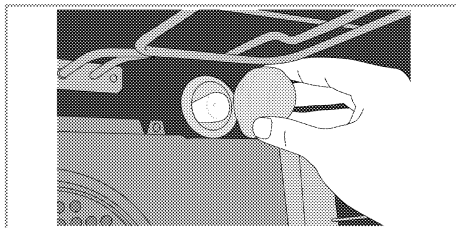


ייתכן שמיקום הנורה יהיה שונה מזה המופיע באיור.

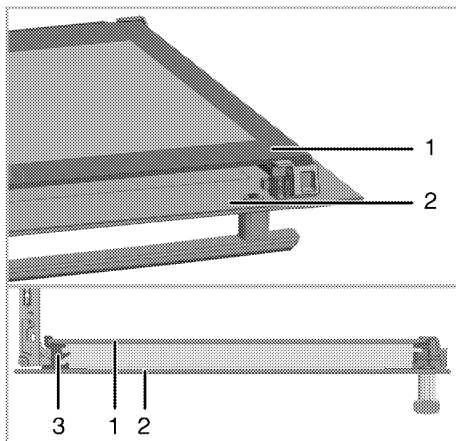


אם בתנור מותקנת נורה עגולה:

1. נתק את המוצר מהחשמל.
2. סובב את מכסה הזכוכית נגד כיוון השעון כדי להסירו.

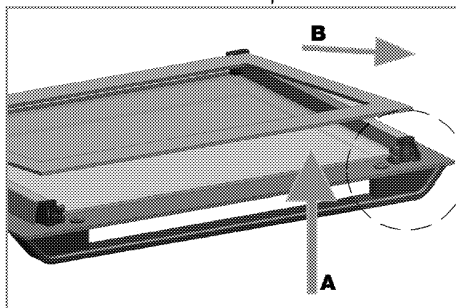


3. הסר את נורת התנור על ידי סיבובה נגד כיוון השעון והחלף אותה בנורה חדשה.
4. הרכב את מכסה הזכוכית.



- 1 לוח הזכוכית הפנימי
- 2 לוח הזכוכית החיצוני
- 3 החריץ הפלסטי של לוח הזכוכית - נמוך יותר

כפי שמודגם באיור, הרם מעט את לוח הזכוכית הפנימי ביותר (1) בכיוון A ומשוך אותו החוצה בכיוון B.



בעת התקנת לוח הזכוכית הפנימי (1) ודא שהצד המודפס של הלוח פונה כלפי פנים. חשוב להכניס את הפינה התחתונה של לוח הזכוכית הפנימי אל חריץ הפלסטיק התחתון. דחף את החלק הפלסטי כלפי המסגרת עד שתשמע נקישה.

דפנות קטליטיות

ייתכן שהדפנות הצדיים והדופן האחורית של פנים התנור מצופות באמאיל קטליטי. אין לנקות את הדפנות הקטליטיות של התנור. המשטח הנקבובי של הדפנות מנקה את עצמו על ידי כך שהוא קולט וממיר שומן שנפלט מהמזון (אדים ודו תחמוצת הפחמן).

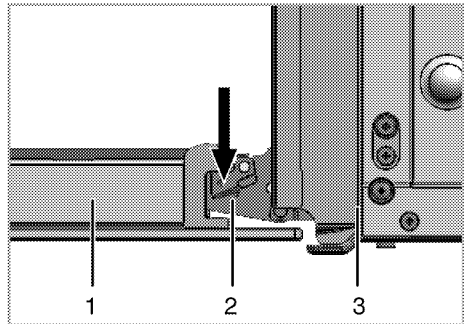
ניקוי דלת התנור

לניקוי דלת התנור, השתמש במים חמים עם נוזל שטיפה, מטלית רכה או ספוג כדי לנקות את המוצר ונגב אותו במטלית יבשה.

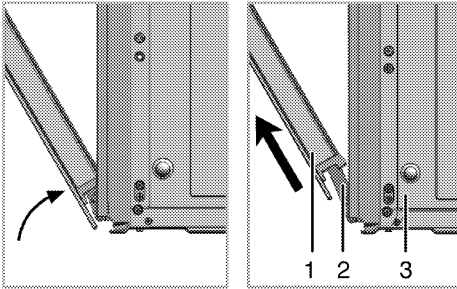
i אין להשתמש בכלי ניקוי גסים הגורמים לשריטות לצורך ניקוי דלת התנור. אלה עלולים לשרוט את המשטח ולגרום נזק לזכוכית.

הסרת דלת התנור

1. פתח את הדלת הקדמית (1).
2. פתח את המהדקים בתושבת הצייר (2) מצד ימין ומצד שמאל של הדלת הקדמית בלחיצה עליהם כלפי מטה כפי שמתואר באיור.



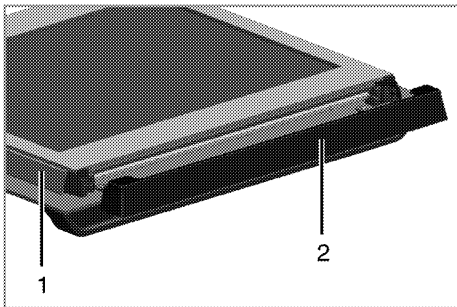
- | | |
|---|-----------|
| 1 | דלת קדמית |
| 2 | צייר |
| 3 | תנור |



3. הזז את הדלת הקדמית כך שתהיה פתוחה למחצה.
4. הסר את הדלת הקדמית על ידי משיכתה כלפי מעלה כדי לשחרר אותה מהצייר הימני ומהצייר השמאלי.

i להתקנת הדלת, יש לחזור על השלבים שבוצעו בתהליך ההסרה, אך בסדר הפוך. יש לזכור לסגור את המהדקים בתושבת הצייר בזמן הרכבת הדלת חזרה למקומה.

הסרת זכוכית הדלת הפנימית ניתן להסיר את לוח הזכוכית הפנימית של דלת התנור לצורך ניקוי. פתח את דלת התנור.



- | | |
|---|-------------|
| 1 | מסגרת |
| 2 | החלק הפלסטי |

משוך כלפיך את החלק הפלסטי המותקן על חלקה העליון של הדלת הקדמית והסר אותו.

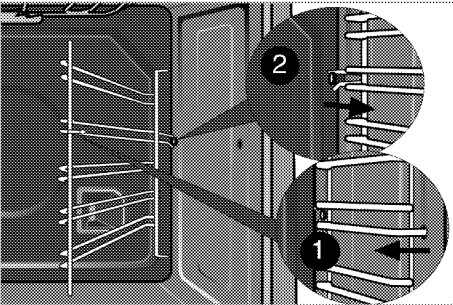
i עלול להיגרם נזק לפני השטח של התנור עקב שימוש בתכשירי ניקוי או בחומרי ניקוי. אין להשתמש במהלך הניקוי בתכשירי ניקוי חזקים, אבקות/משחות ניקוי חזקות או בעצמים חדים.

i אין להשתמש בקיטור לניקוי המכשיר, מכיוון שהוא עלול לגרום להתחשמלות.

ניקוי לוח הבקרה נקה את לוח הבקרה ואת הכפתורים במטלית רטובה ונגב אותם עד שיתייבשו.

i אין להסיר את לחצני/כפתורי הבקרה לצורך ניקוי לוח הבקרה. עלול להיגרם נזק ללוח הבקרה!

- ניקוי התנור לניקוי הדופן הצדית
1. הסר את החלק הקדמי של הרשת הצדית על ידי משיכתו לכיוון הנגדי לדופן הצדית.
 2. הסר לחלוטין אתה רשת הצדית על ידי משיכתה אליך.



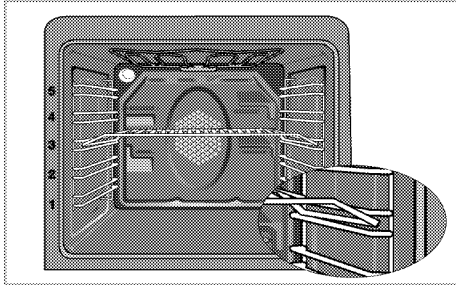
מידע כללי חיי השירות של המוצר מתארכים ובעיות נפוצות מתמעטות אם מנקים את המוצר במרווחי זמן קבועים.


! סכנה: נתק את המוצר מהחשמל לפני שתתחיל בעבודות התחזוקה והניקיון. קיימת סכנת התחשמלות!

! סכנה: לפני הניקוי המתן להתקררות המוצר. משטחים חמים עלולים לגרום לכוויות!

- נקה את המוצר ביסודיות לאחר כל שימוש. באופן זה אפשר יהיה להסיר שאריות בישול בקלות רבה יותר, ובכך למנוע משאריות אלה להישרף בפעם הבאה שתשתמש במכשיר.
- אין צורך בחומרי ניקוי מיוחדים לניקוי המוצר. השתמש במים חמים עם נוזל שטיפה, מטלית רכה או ספוג כדי לנקות את המוצר ונגב אותו במטלית יבשה.
- הקפד תמיד לנגב ביסודיות נוזל שטיפה עודף לאחר הניקוי ולייבש מייד כל חומר שנשפך.
- אין להשתמש בחומרי ניקוי המכילים חומצה או כלוריד לניקוי משטחי אל-חלד או פלדת אל-חלד ולניקוי הידית. השתמש במטלית רכה עם נוזל ניקוי לא שורט (כדי לנקות את אותם חלקים, תוך הקפדה על ניגוב בכיוון אחד.

אותה בעזרת הדלת לקבלת ביצועי הגריל הטובים ביותר.



אזהרה 

סגור את דלת התנור במהלך הבישול בגריל.
משטחים חמים עלולים לגרום לכוויות!

הפעלת הגריל

1. סובב את כפתור הפונקציות אל סמל הגריל הרצוי.
2. לאחר מכן בחר את טמפרטורת הגריל הרצויה.
3. אם יש צורך, חמם את התנור מראש למשך כ-5 דקות.
«נורת הטמפרטורות נדלקת.


כיבוי הגריל

1. סובב את כפתור הפונקציות למצב כיבוי (הכפתור פונה כלפי מעלה).

מיקומי רשת המתכת

ביצועי הגריל ייפגעו אם רשת הגריל תישען על חלקו האחורי של התנור. החלק את רשת הגריל לחלק הקדמי של רשת המתכת וקבע

בישול בגריל בעזרת גריל חשמלי



מזון שאינו מתאים לבישול בגריל מהווה סכנת שריפה. בשל בגריל אך ורק מזון המתאים לחום האינטנסיבי של הגריל. אין להניח את המזון רחוק מדי בחלקו האחורי של הגריל. זהו האזור החם ביותר ומזון שומני עלול להתלקח.

טבלת זמני בישול בגריל

זמן בישול בגריל (בקירוב)	גובה המדף	מזון
20...25 דקות*	4..5	דגים
25...35 דקות	4...5	פרוסות עוף
20...25 דקות	4..5	צלעות כבש
25...30 דקות*	4...5	בקר צלוי
25...30 דקות*	4..5	צלעות עגל
1...2 דקות.	4	קליית לחם
*תלוי בעובי		

70 ... 90	220 דקות לאחר מכן 180 ... 190	3		מפלס אחד	ירך (טלה) קדירה)
55 ... 65	15 דקות מקסימום לאחר מכן 180 ... 190	2		מפלס אחד	עוף צלוי
150 ... 210	25 דקות מקסימום לאחר מכן 180 ... 190	1		מפלס אחד	בשר הודו (5.5 ק"ג)
20 ... 30	200	3		מפלס אחד	דגים

מדי בתחתית הבצק. נסה לפזר את הרוטב במידה שווה בין שכבות הבצק ועל גבי הבצק, כדי להביא להשחמה מאוזנת.

(**) בבישול המצריך חימום מראש, חמם את התנור מראש בתחילת הבישול, עד שנורת התרמוסטט תכבה.

עצות לאפיית עוגה

- אם העוגה יבשה מדי, העלה את הטמפרטורה בכ 10°C וקצר את זמן האפייה.
- אם העוגה רטובה, השתמש בפחות נוזלים או הורד את הטמפרטורה ב 10°C .
- אם העוגה כהה מדי מלמעלה, הנח אותה על רשת נמוכה יותר, הורד טמפרטורה והארך את זמן הבישול.
- אם העוגה אפויה היטב מבפנים, אך דביקה מבחוץ, השתמש בפחות נוזלים, הורד את הטמפרטורה והארך את זמן הבישול.

עצות לאפיית בצק

- אם הבצק יבשה מדי, העלה את הטמפרטורה בכ 10°C וקצר את זמן האפייה. לחלח את שכבות הבצק ברוטב המכיל חלב, זמן, ביצים ויוגורט.
- אם נדרש זמן רב מדי לאפיית הבצק, שים לב שעובי הבצק שאתה מכין אינו עובר את עומק תבנית האפייה.
- אם החלק העליון של הבצק משחים, אך החלק התחתון אינו אפוי, ודא שכמות הרוטב שבה השתמשת לבצק אינה רבה

אפה את הבצק בהתאם למצב ולטמפרטורה המופיעים בטבלת הבישול. אם החלק התחתון אינו מושחם במידה מספקת, הנח אותה בפעם הבאה על מדף נמוך יותר בדרגה אחת.

עצות לבישול ירקות

- אם אזלו הנוזלים מתבשיל הירקות והוא התייבש יתר על המידה, בשל אותו במחבת עם מכסה ולא בתבנית. כלים סגורים ישמרו על נוזלי התבשיל.
- אם תבשיל הירקות אינו מתבשל, הרתח את הירקות לפני כן או הכן אותם כמו מזון משומר בקופסאות שימורים והכנס אותם לתנור.

כיצד להפעיל את הגריל

לפני שתוכל להשתמש בתנור, יש להגדיר את השעה. אם השעה בשעון אינה מוגדרת, התנור לא יפעל.

2. לחץ על מקש מינוס (5) והחזק אותו לחוץ עד שיופיע בתצוגה הכיתוב "00:00"

i זמן ההתראה יוצג אם זמן ההתראה וזמן הבישול מוגדרים בו זמנית, יוצג הזמן הקצר ביותר.

שינוי צלצול ההתראה

1. לחץ על מקש ההגדרות (11) כדי להפעיל את סמל צליל ההתראה. (8)
 2. כוונון את הצליל הרצוי בעזרת המקשים מינוס (5) ופלוס. (6)
- »צליל ההתראה שנבחר יוצג בתצוגה כ-b-

b-02, 01או b-03

טבלת זמני בישול

i לוחות הזמנים בטבלה זו הם בגדר קו מנחה. לוחות הזמנים עשויים להשתנות בהתאם לטמפרטורת המזון, עוביו, סוגו והעדפות הבישול שלך.

אפיה וצלייה

i המדף הראשון של התנור הוא המדף התחתון.

זמן בישול (בקירוב בדקות)	טמפרטורה (°C)	מפלס גובה		מפלסי הבישול	תבשיל
25 ... 30	175	3	<input type="checkbox"/>	מפלס אחד	עוגות בתבנית אפיה
40 ... 50	175	2	<input type="checkbox"/>	מפלס אחד	עוגות בתבנית
25 ... 30	175	3	<input type="checkbox"/>	מפלס אחד	עוגות בנייר בישול
5 ... 10	200	3	<input type="checkbox"/>	מפלס אחד	עוגת ספוג
25 ... 30	175	3	<input type="checkbox"/>	מפלס אחד	עוגיות
30 ... 40	200	2	<input type="checkbox"/>	מפלס אחד	בצק
25 ... 35	200	2	<input type="checkbox"/>	מפלס אחד	תבשיל בצק עשיר
35 ... 45	200	2	<input type="checkbox"/>	מפלס אחד	ישאר
30 ... 40	200	2-3	<input type="checkbox"/>	מפלס אחד	לזניה
15 ... 20	200 ... 220	2	<input type="checkbox"/>	מפלס אחד	פיצה
100 ... 120	25 דקות 250/מקסימום לאחר מכן 180 ... 190	3	<input checked="" type="checkbox"/>	מפלס אחד	אומצת בקר / שלמה / צלי

1. הגדרת השעון המעורר
 1. לחץ על מקש התוכנית (1) כדי להפעיל את סמל זמן ההתראה. (4)
- i** זמן ההתראה המרבי יכול להיות 23 שעות ו 59-שניות.
2. כוונון את זמן ההתראה בעזרת המקשים מינוס (5) ופלוס. (6)
- »סמל ההתראה יישאר דולק וזמן ההתראה יופיע בתצוגה לאחר הגדרת זמן ההתראה.
3. עם סיום זמן ההתראה, יתחיל סמל זמן ההתראה (4) להבהב וישמע אות התראה.

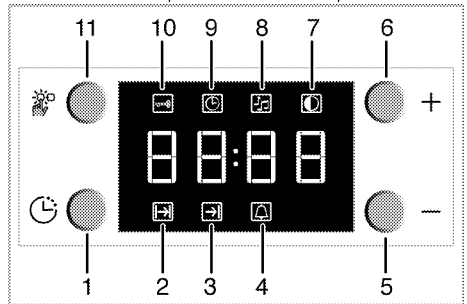
כיבוי ההתראה

1. כדי לעצור את ההתראה, לחץ על מקש כלשהו.
- »צלצול ההתראה יושק ותוצג השעה הנוכחית.
- אם ברצונך לבטל את ההתראה:
1. כדי לאפס את זמן ההתראה, לחץ על מקש התוכנית (1) כדי להפעיל את סמל זמן ההתראה. (4).

שימוש בנעילת המקשים

הפעלת נעילת המקשים

תוכל למנוע את השימוש בתנור על ידי הפעלת פונקציית נעילת המקשים.



1 מקש תוכניות

2 זמן בישול

3 זמן סיום הבישול

4 התראה

5 מקש מינוס

6 מקש פלוס

7 הגדרת בהירות המסך

8 עצמת ההתראה

9 השעה הנוכחית

10 נעילת מקשים

11 מקש כוונון

ביטול הפעלת נעילת המקשים

1. לחץ על מקש הכוונון (11) כדי להפעיל את סמל נעילת המקשים. (10)

«ההודעה» כיבוי "תופיע בתצוגה.

2. לחץ על מקש (5) '-' כדי לבטל את הפעלת נעילת המקשים.

«ההודעה» כיבוי "תוצג לאחר ביטול הפעלת נעילת המקשים.

שימוש בשעון כשעון מעורר

תוכל להשתמש בשעון של המוצר לכל

אזהרה או תזכורת למעט תוכנית הבישול.

לשעון המעורר אין כל השפעה על

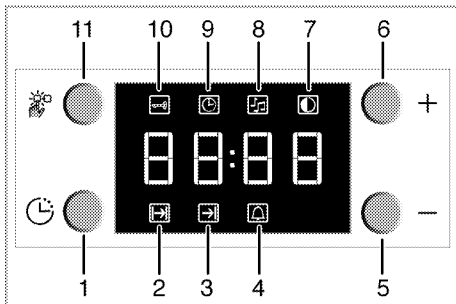
הפונקציות של התנור. הוא משמש רק

לאזהרה. לדוגמה, הוא שימושי אם ברצונך

להפוך את המזון בתנור בנקודת זמן מסוימת.

השעון המעורר ישמיע אות לאחר שהזמן

שהגדרת עבר.



1 מקש תוכניות

2 זמן בישול

3 זמן סיום הבישול

4 התראה

5 מקש מינוס

6 מקש פלוס

7 הגדרת בהירות המסך

8 עצמת ההתראה

9 השעה הנוכחית

10 נעילת מקשים


1. לחץ על המקש (11) כדי להפעיל את סמל נעילת המקשים. (10)

«ההודעה» כיבוי "תופיע בתצוגה.

2. לחץ על מקש (6) '+' כדי להפעיל את נעילת המקשים.

«לאחר הפעלת פונקציית נעילת המקשים, תופיע בתצוגה ההודעה 'הפעלה' אוסמל נעילת המקשים (10) יישאר דולק.

כאשר פונקציית נעילת המקשים מופעלת, לא ניתן להשתמש בלחצני לוח הבקרה, חוץ מאשר במקש (11)



- «סמל זמן הבישול נשאר דולק מוצג ברציפות (לאחר הגדרת זמן הבישול).
 3. להגדרת זמן סיום הבישול, לחץ על מקש התוכנית (1) והפעל את סמל זמן הבישול (3).
 4. לחץ על המקשים (5) - 1 + כדי להגדיר את זמן סיום הבישול. (6).


«לאחר הגדרת זמן סיום הבישול, סמל סיום הבישול וסמל הבישול יוצגו ברציפות. סמל זמן סיום הבישול (3) ייעלם עם התחלת הבישול.

5. הכנס את התבשיל לתנור.
 6. בחר מצב הפעלה וטמפרטורה.

«קוצב הזמן של התנור יחשב אוטומטית את זמן התחלת הבישול באמצעות זמן סיום הבישול ומשך הבישול שהגדרת. מצב הפעלה נבחר מחושב כאשר הגיע זמן התחלת הבישול והתנור מחומם לטמפרטורה שהוגדרה. טמפרטורה זו נשמרת עד לזמן סיום הבישול.

7. עם סיום תהליך הבישול, תופיע בתצוגה ההודעה "End" סיום (ויישמע צליל התראה).

8. אות ההתראה יישמע למשך 2 דקות. כדי לעצור את אות ההתראה, לחץ על מקש כלשהו. צלצול ההתראה יושק ותוצג השעה הנוכחית.

	<p>אם אתה משתיק את ההתראה בלחיצה על מקש כלשהו, התנור יתחיל שוב לפעול. אם אתה לוחץ על כפתור כלשהו בסיום פרק זמן ההתראה, התנור יתחיל שוב לפעול.</p>
---	--

9. כבה את התנור באמצעות כפתור הטמפרטורות וכפתור הפונקציות.

	<p>הזמן המרבי שאפשר להגדיר לסיום תהליך הבישול הוא 5 שעות ו 59- שניות. התוכנית תבוטל כשיש תקלה בחשמל. עליך לתכנת מחדש את התנור.</p>
	<p>בזמן ביצוע הכווננים, יהבהבו הסמלים הרלוונטיים בתצוגה. יש להמתין מעט עד שההגדרות ייכנסו לתוקף.</p>
	<p>אם לא בוצעה הגדרת בישול, לא ניתן להגדיר את השעה ביום.</p>
	<p>זמן הבישול יוצג לאחר התחלת הבישול.</p>

בישול על ידי ציון זמן הבישול:
 ניתן להגדיר את התנור כך שיעצור עם סיום הזמן שצוין, על ידי הגדרת זמן הבישול בשעון.

1. לכוונן זמן הבישול, לחץ על מקש התוכניות (1) והפעל את סמל זמן הבישול (2).

2. לחץ על המקשים (5/6) '+' / '-' כדי להגדיר את זמן הבישול.
 «לאחר הגדרת זמן הבישול, סמל הבישול יוצג ברציפות.

אם ברצונך להגדיר את זמן סיום הבישול לשעה מאוחרת יותר:
 לאחר הגדרת זמן הבישול בשעון, ניתן להגדיר את זמן סיום הבישול לשעה מאוחרת יותר.

1. לכוונן זמן הבישול, לחץ על מקש התוכניות (1) והפעל את סמל זמן הבישול (2).

2. כוונן את זמן הבישול בעזרת המקשים מינוס (5) ופלוס (6).



פועלים חימום עלי, חימום תחתי עם מאוורר) בדופן האחורית. (אוורר חם מתפזר במהירות בצורה שווה בכל התנור בעזרת המאוורר. בישול במגש אחד בלבד.



פונקציה זו משמשת לחימום התנור במהירות רבה; אינה מתאימה לבישול מזון.

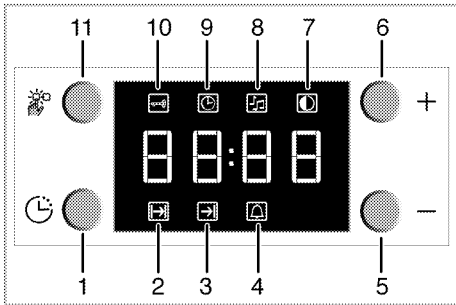
- בחר את הטמפרטורה הרצויה לאחר בחירת פונקציה זו. גורת הטמפרטורה תידלק והתנור יתחמם.
- הנורה תכבה עם סיום תהליך החימום. כעת בחר את הפונקציה הרצויה לבישול המזון.



הגריל הגדול בתקרת התנור פועל. ניתן לבשל בגריל כמות בשר גדולה.

- הנח מנות גדולות או בינוניות במיקום הנכון של רשת המתכת מתחת לגוף החימום של הגריל, לצורך בישול בגריל.
- כוון את הטמפרטורה לטמפרטורה הגבוהה ביותר.
- הפוך את המזון כעבור חצי שעה של בישול בגריל.

שימוש בשעון התנור



- 1 מקש תוכניות
- 2 זמן בישול
- 3 זמן סיום הבישול
- 4 התראה
- 5 מקש מינוס
- 6 מקש פלוס
- 7 הגדרת בהירות המסך
- 8 עצמת ההתראה
- 9 השעה הנוכחית
- 10 נעילת מקשים
- 11 מקש כוונן



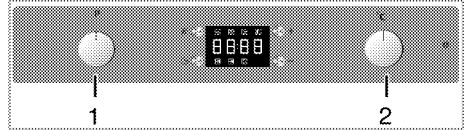
- השפעת הגריל אינה חזקה כמו בבישול בגריל כפול.
- הנח מנות קטנות או בינוניות במיקום המדף הנכון מתחת לגוף החימום של הגריל, לצורך בישול בגריל.
 - הגדר את הטמפרטורה הרצויה.
 - הפוך את המזון כעבור חצי שעה של בישול בגריל.

כיצד להפעיל את התנור החשמלי

לפני שתוכל להשתמש בתנור, יש להגדיר את השעה. אם השעה בשעון אינה מוגדרת, התנור לא יפעל.



בחירת טמפרטורה ומצב הפעלה



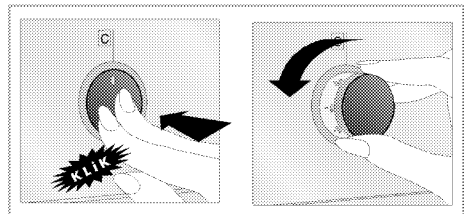
1 כפתור הפונקציות

2 כפתור התרמוסטט

התנור מצויד בכפתורים "קופצים"; הם

בולטים החוצה כשלוחצים עליהם.

1. לחץ פנימה כדי שהכפתור יבלוט ולאחר מכן סובב אותו כדי לבצע את ההגדרה הרצויה.



2. עם סיום תהליך הבישול, סובב את

הכפתור למצב כיבוי) הכפתור פונה כלפי מעלה (ולחץ עליו פנימה.

1. כוון את כפתור הטמפרטורות

לטמפרטורה הרצויה.

2. כוון את כפתור הפונקציות למצב

ההפעלה הרצוי.

«התנור מתחמם לטמפרטורה שכווננה והוא

שומר עליה. במהלך החימום, נורת

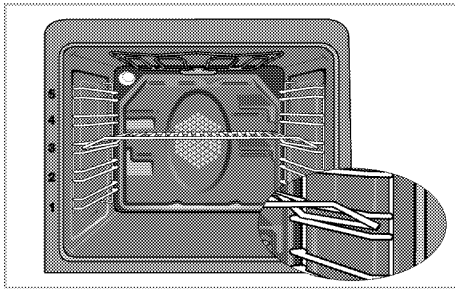
הטמפרטורה נשארת דלוקה.

כיבוי התנור החשמלי

סובב את כפתור הפונקציות ואת כפתור

הטמפרטורות למצב כיבוי) הכפתור פונה

כלפי מעלה.



מיקומי רשת המתכת) לדגמים עם רשת גריל) חשוב להציב את רשת הגריל על רשת המתכת בצורה נכונה. יש להכניס את רשת הגריל בין רשתות המתכת כפי שמודגם באיור.

אין לאפשר לרשת הגריל להישען על הדופן האחורית של התנור. החלק את רשת הגריל לחלק הקדמי של רשת המתכת וקבע אותה בעזרת הדלת לקבלת ביצועי גריל טובים. צבי הפעלה

סדר מצבי ההפעלה המוצג כאן עשוי להיות שונה מהסדר הקיים במוצר שלך.

חימום עלי ותחתי



החימום העלי והתחתי בפעולה.

המזון מתחמם בו-זמנית

מלמעלה ומלמטה.

לדוגמה, מתאים לעוגות,

לתבשילי בצק או לעוגות

ותבשילי קדרה בתבניות אפייה.

בישול במגש אחד בלבד.

חימום תחתי



רק החימום התחתי פועל.

מתאים לפיצה ולאחר מכן

להשחמת מזון מלמטה.

- כל סנטימטר בעובי הבשר מצריך כ-4 עד 5 דקות בישול.
- השאר את הבשר בתנור למשך כ-10 דקות עם סיום זמן הבישול. הרוטב שנוצר מתפשט בצורה טובה יותר בכל הצלי ואינו נוזל החוצה כשחותכים את הבשר.
- יש להניח דג על כלי חסין אש על הרשת בגובה אמצעי או נמוך יותר.

עצות לבישול בגריל

כאשר מבשלים בגריל בשר, דגים ועוף, הם מקבלים במהרה גוון חום, יש להם קרום טעים ואינם מתייבשים. חתיכות שטוחות, שיפודי בשר ונקניקיות מתאימים במיוחד לבישול בגריל, כמו גם ירקות עתירי מים, כמו עגבניות ובצל.

- הנח את החתיכות שיש לבשל בגריל בתפוזרת על רשת הגריל או על תבנית האפייה עם רשת הגריל, כך שלא יהיו גדולים מממדי המבער.
- החלק את רשת הגריל או את תבנית האפייה עם רשת הגריל אל הגובה הרצוי בתנור. אם אתה מבשל בגריל על רשת הגריל, החלק את תבנית האפייה אל הרשת התחתונה כדי לאגור את השומן הוסף מים לתבנית האפייה כדי להקל את תהליך הניקוי.

מידע כללי על אפייה, צלייה ובישול בגריל

אזהרה



משטחים חמים גורמים לכוויות! המכשיר עלול להיות חם כשהוא נמצא בשימוש. אין לגעת במבערים החמים, בחלקים הפנימיים של התנור, בגופי החימום וכו'. הרחק ילדים ממשטחים אלה. השתמש תמיד בכפפות עמידות לחום בעת הכנסת כלים לתנור החם או הוצאתם ממנו.

סכנה



פתח את דלת התנור בזהירות, מאחר שעלולים להיפלט ממנו אדים. האדים הנפלטים עלולים לצרוב את ידיך, פניך ו/או את עיניך.

עצות לאפייה

- השתמש בצלחות מתכת מתאימות בעלות ציפוי שלא נדבק או במכלי אלומיניום או בתבניות סיליקון עמידות לחום.
- נצל את כל המקום שעל הרשת.
- הנח את תבנית האפייה באמצע הרשת.
- בחר את מיקום הרשת הנכון לפני הפעלת התנור או הגריל. אין לשנות את מצב הרשת כשהתנור חם.
- שמור שדלת התנור תישאר סגורה.

עצות לצלייה

- תיבול עוף שלם, בשר הודו או חתיכות בשר גדולות במיץ לימון ופלפל שחור לפני הבישול ישפרו את ביצועי הבישול.
- לצליית בשר עם עצמות נדרשות 15 עד 30 דקות נוספות לעומת צליית בשר ללא עצמות באותו גודל.



מזון שאינו מתאים לבישול בגריל מהווה סכנת שריפה. בשל בגריל אך ורק מזון המתאים לחום האינטנסיבי של הגריל. אין להניח את המזון רחוק מדי בחלקו האחורי של הגריל. זהו האזור החם ביותר ומזון שומני עלול להתלקח.



אזהרה

משטחים חמים גורמים לכוויות!
 המכשיר עלול להיות חם כשהוא
 נמצא בשימוש. אין לגעת במבערים
 החמים, בחלקים הפנימיים של
 התנור, בגופי החימום וכו'. הרחק
 ילדים ממשטחים אלה.
 השתמש תמיד בכפפות עמידות לחום
 בעת הכנסת כלים לתנור החם או
 הוצאתם ממנו.

תנור חשמלי

1. הוצא מהתנור את כל תבניות האפייה ואת רשת הגריל.
2. סגור את דלת התנור.
3. בחר מצב סטטי.
4. בחר בעוצמת הגריל הגבוהה ביותר, ראה כיצד להפעיל את התנור החשמלי, עמוד 19.
5. הפעל את התנור למשך כ-30 דקות.
6. כבה את התנור; ראה כיצד להפעיל את התנור החשמלי, עמוד 19

תנור גריל

1. הוצא מהתנור את כל תבניות האפייה ואת רשת הגריל.
2. סגור את דלת התנור.
3. בחר בעוצמת הגריל הגבוהה ביותר, ראה כיצד להפעיל את הגריל, עמוד 24.
4. הפעל את התנור למשך כ-30 דקות.
5. כבה את הגריל; ראה כיצד להפעיל את הגריל, עמוד 24



עשן וריחות עלולים להיפלט במשך שעותיים במהלך ההפעלה הראשונה. זוהי תופעה רגילה. ודא שהחדר מאוורר היטב כדי להיפטר מהעשן והריחות. יש להימנע משאיפה ישירה של העשן והריחות הנפלטים.

1. לחץ על מקש (11) כדי להפעיל את סמל השעה הנוכחית. '9'
2. לחץ על המקשים '-' או (5/6) '+' כדי להגדיר את השעה הנוכחית.

שינוי כוונון בהירות המסך

1. לחץ על מקש (11) כדי להפעיל את סמל בהירות המסך '7' לשם כוונון בהירות המסך.
2. לחץ על המקשים '-' או (5/6) '+' כדי לקבוע את הבהירות הרצויה.

«דרגת הבהירות שנבחרה תוצג בתצוגה כ-

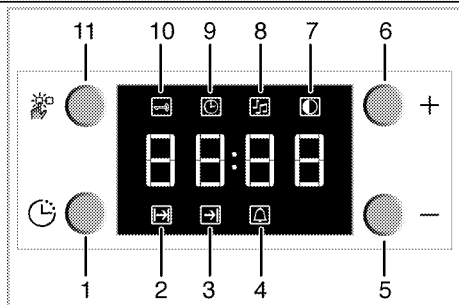
d-01, d-02 או d-03

ניקוי המכשיר בפעם הראשונה



עלול להיגרם נזק לפני השטח של התנור עקב שימוש בתכשירי ניקוי או בחומרי ניקוי. אין להשתמש במהלך הניקוי בתכשירי ניקוי חזקים, אבקות/משחות ניקוי חזקות או בעצמים חדים.

1. הסר את כל חומרי האריזה.
2. נגב את משטחי המכשיר במטלית לחה או בספוגית ויבש אותם במטלית. חימום ראשון חם את המוצר למשך כ-30 דקות וכבה אותו. באופן זה, יישרפו ויוסרו כל שאריות חומרי הייצור או שכבות הייצור.



- 1 מקש תוכניות
- 2 זמן בישול
- 3 זמן סיום הבישול
- 4 התראה
- 5 מקש מינוס
- 6 מקש פלוס
- 7 הגדרת בהירות המסך
- 8 עצמת ההתראה
- 9 השעה הנוכחית
- 10 נעילת מקשים
- 11 מקש כוונון

לאחר הגדרת הזמן, ניתן להתחיל ולסיים את הבישול על ידי בחירת המצב הרצוי בעזרת לחצן טמפרטורה ולחצן פונקציות.

i אם השעה הנוכחית אינה מוגדרת, הגדרת הזמן תתחיל מהשעה 12:00 ואילך. סמל השעון '9' יוצג כדי לציין שהשעה הנוכחית לא הוגדרה. סמל זה ייעלם לאחר שהשעה הוגדרה.

i הגדרות השעה הנוכחית יבטולו במקרה של תקלה בחשמל. יהיה צורך לכוונן אותן מחדש.

כדי לשנות את השעה ביום שהגדרת בעבר:

עצות לחיסכון באנרגיה
הנתונים הבאים יעזרו לך להשתמש במכשיר בצורה אקולוגית ולחסוך באנרגיה.

- השתמש לתנור בכלי בישול כהים או מצופים באמאיל, מאחר שהעברת החום בהם יעילה יותר.
- לפני בישול התבשילים, חמם מראש את התנור, אם כך מומלץ על ידי במדריך למשתמש או בהוראות הבישול.
- במהלך הבישול, אין לפתוח לעתים תכופות את דלת התנור.
- נסה ככל שניתן לבשל יותר מתבשיל אחד בתנור בו זמנית. תוכל לבשל על ידי הנחת שני כלי בישול על רשת הגריל.
- בשל יותר מתבשיל אחד זה אחר זה. התנור כבר חם.
- ניתן לחסוך אנרגיה על ידי כיבוי התנור החשמלי כמה דקות לפני סיום זמן הבישול שנקבע. אין לפתוח את דלת התנור.
- יש להפשיר תבשילים קפואים לפני הבישול.

שימוש ראשון
הגדרת זמן ראשונית



i לפני שתוכל להשתמש בתנור, יש להגדיר את השעה. אם השעה בשעון אינה מוגדרת, התנור לא יפעל.

i בזמן ביצוע הכוונונים, יהבהבו הסמלים הרלוונטיים על השעון.

לחץ על המקשים '-' או '+ (5/6) כדי להגדיר את הזמן לאחר שהתנור מופעל בפעם הראשונה.

פיסת קרטון על דלת התנור מבפנים
ממול למיקום התבניות. הדבק בסרט
הדבקה את דלת התנור לקירותיו
הצדדיים.

- אין להשתמש בדלת או בידית הדלת
להרמת המוצר או להזזתו.

אין להניח חפצים כלשהם על המוצר ויש להזיזו במצב אנכי.	
בדוק את המראה הכללי של המוצר וודא שאין בו נזקים אפשריים שיכלו להיגרם במהלך ההובלה.	

בדיקה סופית

1. חבר את הכבל לשקע החשמל והפעל את
המוצר.

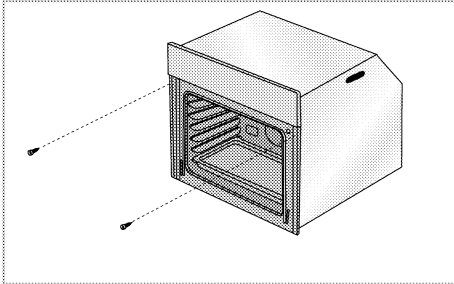
2. בדוק את הפונצקיות.

סילוק המוצר הישן

- שמור את הקופסה המקורית של המוצר
כדי להוביל את המוצר בתוכה. ציית
להוראות שעל קופסת הקרטון. אם
קופסת הקרטון המקורית אינה ברשותך,
ארוז את המוצר בחומר אריזה המכיל
בועות או בקרטון עבה והדבק אותו
היטב בסרט הדבקה.
- כדי שרשת הגריל והתבנית שבתוך
התנור לא יגרמו נזק לדלת התנור, הנח

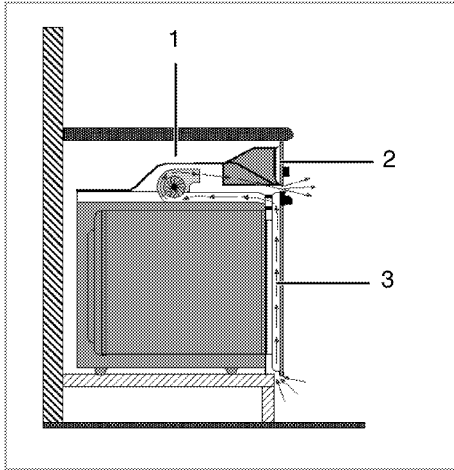
התקנת המוצר

1. החלק את התנור אל הארון, ישר אותו וקבע אותו; בו זמנית ודא שכבל החשמל אינו קרוע ו/או לכוד.



קבע את התנור בעזרת 2 ברגים כפי שמוזגם באיור.

למוצרים שמתקן בהם מאורר קירור



- 1 מאורר קירור
- 2 לוח בקרה
- 3 דלת

מאורר הקירור המובנה מקרר הן את הארון המובנה ואת הן חזית המוצר.

מאורר הקירור ממשיך לפעול במשך 30-20 דקות לאחר כיבוי התנור.



סכנה:



המוצר יחובר לחשמל רק על ידי איש מקצוע מורשה ומוסמך. תקופת האחריות של המוצר מתחיל לאחר שהותקן בצורה נכונה. היצרן לא יהיה אחראי לנזקים שייגרמו על ידי פעולות שיבצעו אנשים בלתי מורשים.

סכנה:



אסור שכבל החשמל יהיה מהודק, מעוקם או לכוד וכן אסור שהוא יבוא במגע עם חלקים חמים במוצר. כבל חשמל שניזוק יוחלף על ידי חשמלאי מוסמך. וזאת כדי למנוע סכנת התחשמלות, קצר או שריפה!

- על החיבור להתבצע בהתאם לתקנות הארציות.
- חייבת להיות התאמה בין נתוני אספקת החשמל לבין הנתונים המצוינים בלוחית הנתונים של המוצר. פתח את הדלת הקדמית כדי לראות את לוחית הנתונים.
- על כבל החשמל של המוצר להתאים לערכים המצוינים בטבלה "מפרטים טכניים".

סכנה:

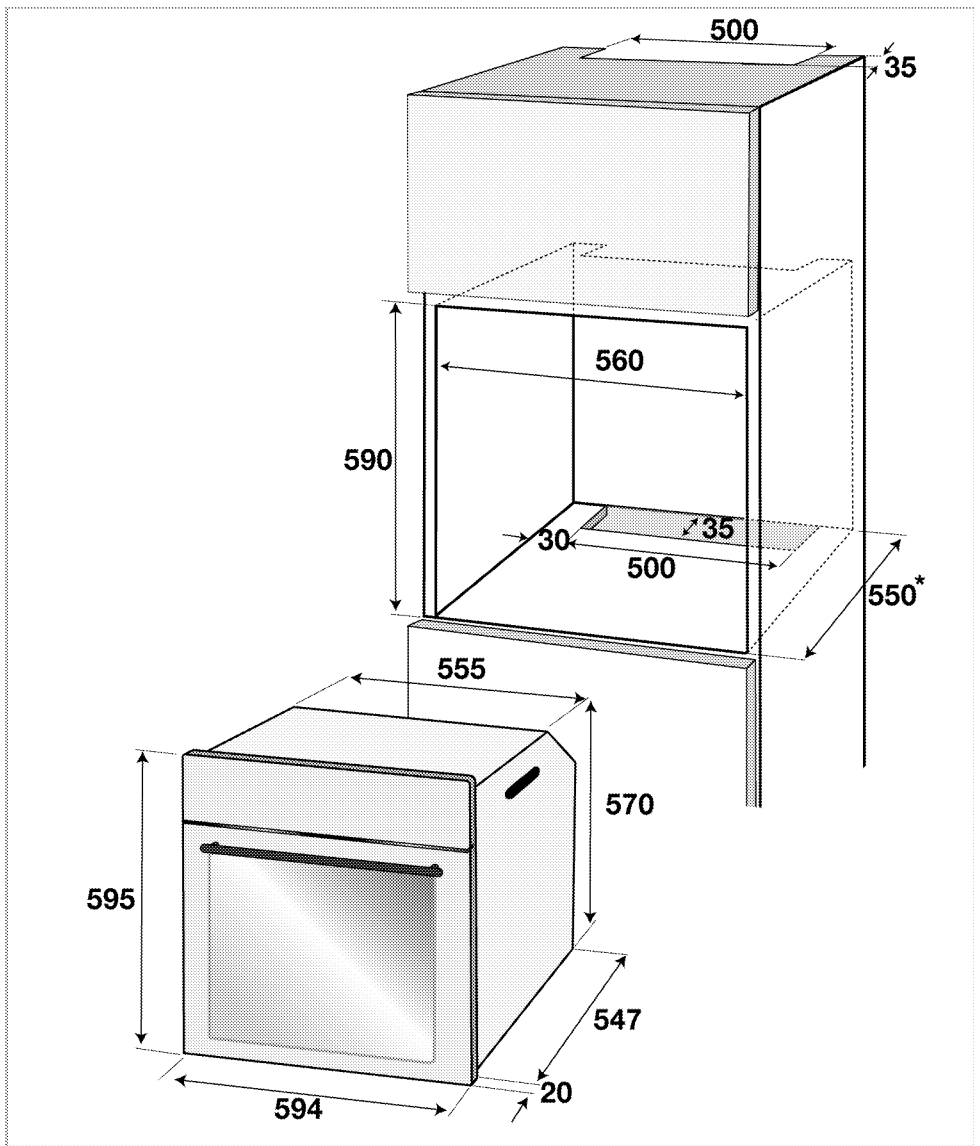


לפני שמתחילים בעבודה כלשהי בהתקנת החשמל, יש לנתק את המוצר ממערכת החשמל. קיימת סכנת התחשמלות!

לאחר ההתקנה, על תקע כבל החשמל להיות נגיש) אין למתוח אותו מעל הכיריים.)



חבר את כבל החשמל לשקע.



דקות

התקנה וחיבור

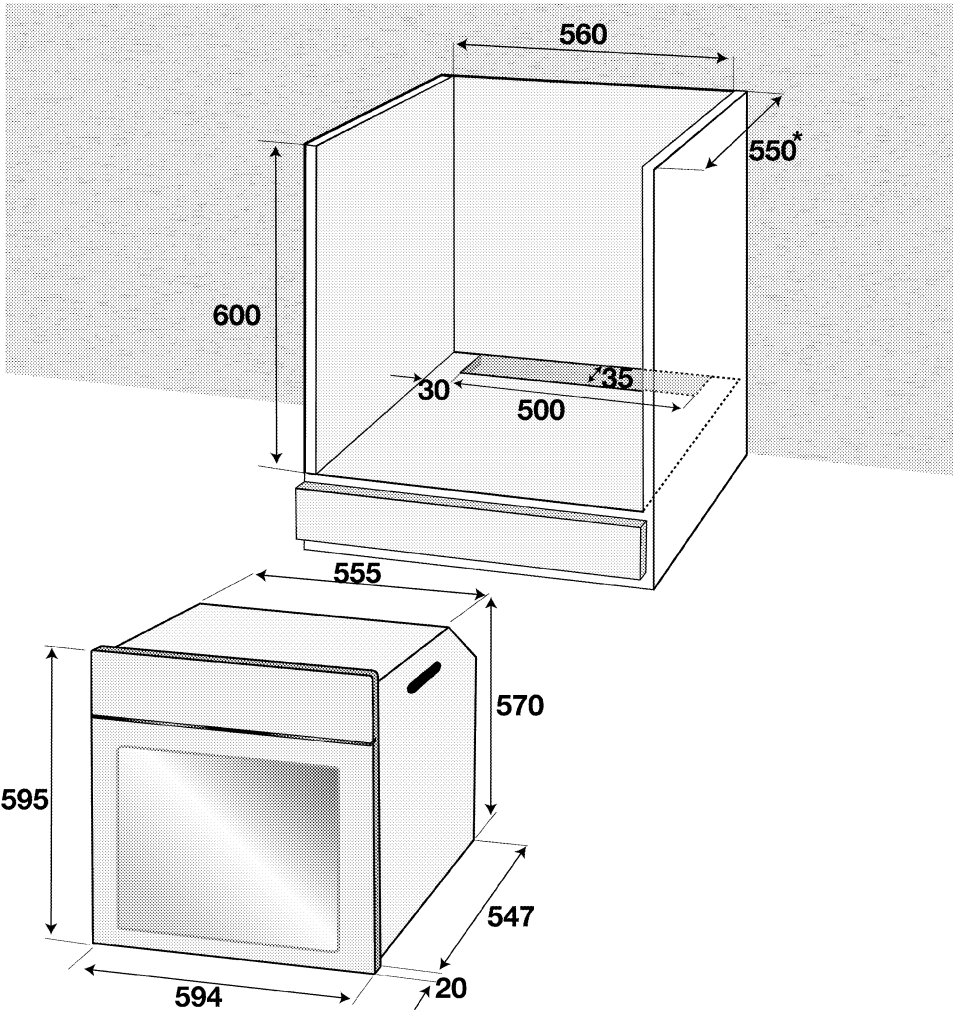
- את המוצר ניתן להתקין ולחבר אך ורק בהתאם לכללי ההתקנה המעוגנים בחוק.

חיבור לחשמל

חבר את המוצר לשקע/קו מוארק המוגן על ידי נתיך בקיבולת מתאימה, כפי שמצוין

בטבלה" מפרטים טכניים. "בעת השימוש במוצר, עם שנאי או בלעדיו, יש להקפיד על התקנת כבל הארקה על ידי חשמלאי מוסמך. החברה שלנו לא תהיה אחראית לנזקים כלשהם שייגרמו כתוצאה משימוש במוצר ללא התקנת כבל הארקה בהתאם לתקנות המקומיות.

I HE13




*


דקות


I HE12

בין המכשיר לבין קירות המטבח והרהיטים.
ראה איור) ערכים במ"מ.)


- על משטחים, שכבות סינתטיות ודבק שבהם משתמשים להיות עמידים לחום (100 °C מינימום).
- יש לקבוע את גובה ארונות המטבח ולקבוע אותם.
- אם קיימת מגירה מתחת לתנור, יש להתקין מדף בין התנור לבין המגירה.
- את המכשיר יישאו שני אנשים לפחות.

 אין להתקין את המוצר ליד מקררים או מקפיאים. החום הנפלט מהמוצר יגביר את צריכת האנרגיה של יחידות הקירור.

 אין להשתמש בדלת ו/או בידית הדלת לנשיאת המוצר או להזזתו.

 אם למוצר יש ידיעות מתכת, דחוף את הידיעות אחורה לקירות הצדדיים לאחר הזזת המוצר.

את המוצר יתקין אדם מוסמך בהתאם לתקנות התקפות. אם לא כן, יבוטל תוקף האחריות. היצרן לא יהיה אחראי לנזקים שייגרמו על ידי פעולות שיבצעו אנשים בלתי מורשים ויהיה רשאי לבטל את האחריות.

 הכנת המיקום והתקנת חיבורי החשמל למוצר הן באחריות הלקוח.

סכנה:



יש להתקין את המוצר בהתאם לכל תקנות הגז ו/או החשמל המקומיות.

סכנה:



לפני ההתקנה, ערוך בדיקה חזותית וודא שאין פגמים במוצר. אם מצאת פגמים במוצר, אל תיתן שיתקיננו אותו.
מוצרים פגומים מהווים סכנה לבטיחותך.

לפני ההתקנה

המכשיר נועד להתקנה בארונות מטבח שניתן לרכוש בחנויות. יש להשאיר מרחק בטוחותי



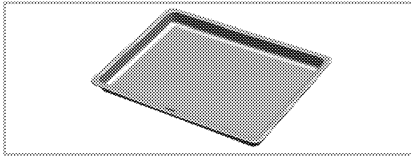
הערכים המצוינים בתוויות המוצר
או במסמכים המצורפים אליו
התקבלו בתנאי מעבדה לפי התקנים
הרלוונטיים. ערכים אלה עשויים
להשתנות בהתאם לתנאים
התפעוליים והסביבתיים של המוצר.



המפרטים הטכניים עשויים
להשתנות ללא הודעה מוקדמת כדי
לשפר את איכות המוצר.

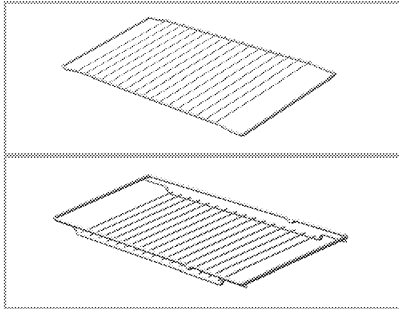


הנתונים המספריים המופיעים
במדריך זה נועדו להמחשה וייתכן
שלא יתאימו בדיוק למוצר ברשותך.



4. מדף רשת מתכת

משמשת לצלייה וכמצע לאפייה, צלייה או בישול ולהנחת תבשיל קדירה במדף הרצוי.

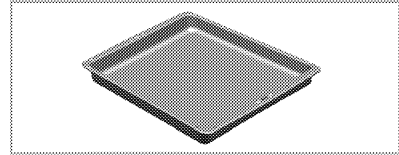


i האבזרים המסופקים יכולים להשתנות בהתאם לדגם המוצר. ייתכן שלא כל האבזרים המתוארים במדריך למשתמש יהיו קיימים במוצר שלך.

1. מדריך למשתמש

2. תבנית תנור

משמשת לתבשילי בצק, מזון קפוא וכמויות גדולות של צלי.



3. תבנית עוגה

משמשת לתבשילי בצק כמו עוגיות וביסקוויטים.

מפרטים טכניים

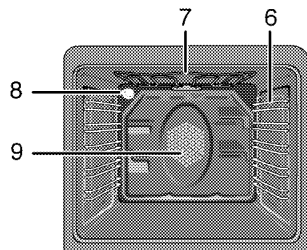
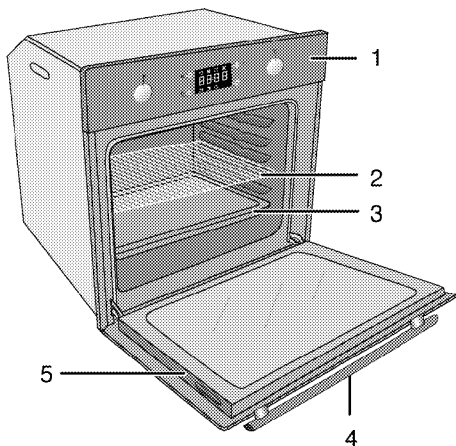
220-240 ~ 50 Hz	מתח/תדר
2.4 kW	סה"כ צריכת חשמל
16 דקות	נתיך
H05VV-FG 1,5 x 3 מ"מ ²	סוג כבל / חתך
מקסימום 2 מ'	אורך כבל
595 מ"מ / 594 מ"מ / 567 מ"מ	ממדים חיצוניים (גובה/רוחב/עומק)
590** או 600 מ"מ / 560 מ"מ / דקות 550 מ"מ	ממדים להתקנה (גובה/רוחב/עומק)
תנור רב-תכליתי	תנור ראשי
A	סיווג יעילות אנרגיה*
15/25 וואט	נורה פנימית
2.2 kW קילוואט	צריכת חשמל של הגריל

* נתונים בסיסיים: הנתונים המופיעים על תווי האנרגיה של תנורי החשמל תואמים לתקן EN 50304. ערכים אלה נקבעו בעומס רגיל עם פונקציות חימום תחתון-עליון או חימום בעזרת מאורר) אם קיימות.)

ראה. התקנה, עמוד 11.

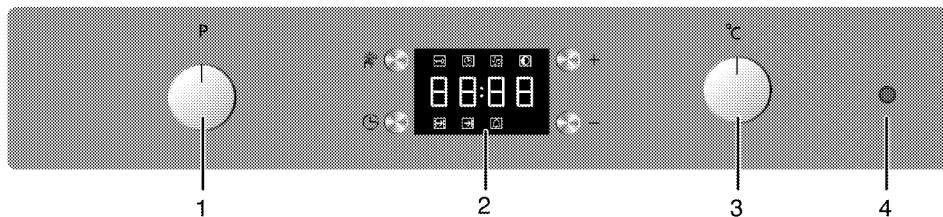
**

סקירה כללית



- 6 מיקומי המדפים
- 7 גוף חימום עליו
- 8 נורה
- 9 (מנוע המאוורר) מאחורי מבער הפלדה)

- 1 לוח בקרה
- 2 מדף רשת מתכת
- 3 מגש
- 4 ידית
- 5 דלת



- 1 כפתור הפונקציות
- 2 קוצב זמן דיגיטלי
- 3 כפתור התרמוסטט
- 4 נורת התרמוסטט

להישג ידם של ילדים. חומרי האריזה של
המוצר מיוצרים מחומרים שניתן למחזר.
סלק אותם בצורה נכונה ומיין אותם
בהתאם להוראות לגבי פסולת ממוחזרת.
אין לסלק אותם ביחד עם הפסולת
הביתית הרגילה.

- יש לסלק את כל חלקי האריזה בהתאם לתקני איכות הסביבה.
- מוצרי חשמל מסוכנים לילדים .
- הרחק ילדים מהמוצר כשהוא פועל ואל תרשה להם לשחק במוצר .
- אין להניח מעל המכשיר פריטים שילדים יכולים להגיע אליהם .
- כאשר הדלת פתוחה, אין להניח עליה עצם כבד ואין לאפשר לילדים לשבת עליה. התנור עלול להתהפך עליהם או שעלול להיגרם נזק לצירי הדלת.

סילוק המוצר הישן



- סלק את המוצר הישן באופן ידידותי לסביבה.
- ציוד זה נושא את סמל המיון הסלקטיבי של פסולת מכשירים חשמליים ואלקטרוניים (WEEE). פירוש הדבר הוא שיש לטפל בציוד זה בהתאם להנחיה האירופית 2002/96/EC כך שיובא למיחזור או לפירוק לשם הפחתת הנזק שלו על הסביבה. למידע נוסף, פנה לרשויות המקומיות או האזוריות הקרובות למקום מגוריך .
- פנה אל המפיץ המקומי או אל המרכז לאיסוף פסולת מוצקה באזור מגוריך כדי ללמוד כיצד לסלק את המוצר שלך.
- לפני שתסלק את המוצר, חתוך את התקע מהכבל ונטרל את נעילת הדלת) אם קיימת (כדי למנוע מצבים מסוכנים לילדים).

סילוק חומרי האריזה

- חומרי האריזה מסוכנים לילדים. שמור את חומרי האריזה במקום בטוח מחוץ

- השתמש תמיד בכפפות עמידות לחום בעת הכנסת כלים לתנור החם או הוצאתם ממנו.
- מחשש להתחשמלות, ודא שהמכשיר מכובה לפני החלפת הנורה.
- לצורך שמירה על אמינות המוצר ומניעת שריפה:
 - ודא שהתקע מתאים לשקע ואינו גורם לניצוץ.
 - אין להשתמש בכבל פגום או חתוך או בכבל מאריך, אלא רק בכבל המקורי.
- ודא שהשקע שאליו מחובר המכשיר אינו רטוב או לך.
- שימוש מיועד
 - מוצר זה נועד לשימוש ביתי. שימוש מסחרי אינו קביל.
 - "זהירות: מכשיר זה נועד לבישול בלבד. אין להשתמש בו למטרות אחרות, כמו חימום החדר, למשל."
 - אין להשתמש במוצר זה לחימום צלחות מתחת לגריל, לייבוש מגבות ומטליות כלים וכו' על-ידי תלייתן על הידיות ולחימום.
 - היצרן לא יהיה אחראי לנזק כלשהו שייגרם כתוצאה משימוש או מטיפול שגויים.
 - ניתן להשתמש בתנור להפשרת מזון, אפייתו, צלייתו ובישולו בגריל .
- בטיחות לילדים
 - חלקים נגישים עלולים להתחמם במהלך השימוש. יש להרחיק ילדים קטנים מהתנור .
 - חומרי האריזה מסוכנים לילדים. יש להרחיק את חומרי האריזה מילדים .

- שחיבורי חשמל אינם באים במגע עם המשטח האחורי, שכן עלול להיגרם להם נזק.
- אין ללכוד את כבל החשמל בין דלת התנור לבין המסגרת של התנור ואין להעביר אותו על פני משטחי הבישול החמים. שכן, חומר הבידוד של הכבל עלול להינתך ולגרום לשריפה עקב קצר.
- עבודה כלשהי בצידוד חשמל ובמערכות גז תבוצע אך ורק על ידי אנשים מוסמכים ומורשים.
- במקרה של נזק כלשהו, כבה את המוצר ונתק אותו מהחשמל. לשם כך, נתק את הנתיך בבית.
- ודא שנתוני הנתיך תואמים למוצר. בטיחות המוצר
- המכשיר והחלקים הנגישים שלו מתחממים במהלך השימוש. יש להימנע ממגע בגופי החימום. יש להרחיק מהמכשיר ילדים בני 8 ומטה, אלא אם כן הם נמצאים בהשגחה מתמדת.
- אין להשתמש במוצר תחת השפעת אלכוהול או סמים, כאשר כושר השיפוט והקואורדינציה שלך לקויים.
- היזהר כשאתה משתמש במשקאות חריפים בתבשילים שלך. האלכוהול מתנדף בטמפרטורות גבוהות ועלול לגרום לשריפה, מאחר שהוא יכול להתלקח כשהוא בא במגע עם משטחים חמים.
- אין להציב חומרים דליקים קרוב למוצר, מאחר שצדיו עשויים להתחמם במהלך השימוש. המכשיר מתחמם תוך כדי שימוש. יש להימנע ממגע בגופי החימום שבתוך התנור. יש להקפיד שלא לחסום את חריצי האוורור.
- אין לחמם בתנור קופסאות שימורים סגורות וצנצנות זכוכית סגורות. הלחץ המצטבר בפחית/צנצנת עלול לגרום להתנפצותה.
- אין להניח תבניות אפייה, כלים או נייר אלומיניום ישירות על תחתית התנור. הצטברות החום עלולה לגרום נזק לתחתית התנור.
- אין להשתמש בכלי ניקוי גסים הגורמים לשריטות או בכלי גירוד חדים ממתכת לצורך ניקוי דלת הזכוכית של התנור, מאחר שאלה עלולים לשרוט את המשטח ולגרום להתנפצות הזכוכית.
- אין להשתמש בקיטור לניקוי המכשיר, מכיוון שהוא עלול לגרום להתחשמלות.
- השתמש במדפים כפי שמתואר בסעיף" כיצד להפעיל את התנור החשמלי."
- אין להשתמש במוצר אם זכוכית הדלת הקדמית הוסרה או נסדקה. ידית התנור לא נועדה לייבוש מגבות. אין לתלות עליו מגבות, כפפות או אריגים דומים אחרים, כאשר פונקציית הגריל מופעלת בדלת פתוחה.

חבר את המוצר לשקע/קו מוארק כאשר המתח וההגנה הם על פי המצוין בטבלה" מפרטים טכניים". בעת השימוש במוצר, עם שנאי או בלעדיו, יש להקפיד על התקנת כבל הארקה על ידי חשמלאי מוסמך. החברה שלנו לא תהיה אחראית לבעיות שיתעוררו כתוצאה משימוש במוצר ללא התקנת כבל הארקה בהתאם לתקנות המקומיות. אין לשטוף את המוצר על ידי התזת מים מעליו או הרטבתו במים! קיימת סכנת התחשמלות! לעולם אין לגעת בתקע בידיים רטובות. אין להוציא את התקע מהשקע על ידי משיכת הכבל, אלא תמיד על ידי משיכת התקע מהשקע. יש לנתק את המוצר מהחשמל במהלך פעולות התקנה, תחזוקה, ניקוי ותיקון. אם כבל החשמל של המוצר ניזוק, הוא יוחלף על ידי היצרן, סוכן השירות של היצרן או איש מקצוע מוסמך, וזאת כדי למנוע סיכון אפשרי. יש להתקין את המכשיר באופן שניתן יהיה לנתקו לחלוטין מרשת החשמל. ההפרדה תסופק על ידי תקע, או מתג המובנה להתקנה חשמלית מקובעת, בהתאם לתקנות הבנייה. המשטח האחורי של התנור מתחמם כאשר הוא נמצא בשימוש. ודא

- סעיף זה מכיל הוראות בטיחות שיעזרו לך להתגונן מפני סיכון לגרימת נזק גופני או נזק לרכוש. אי ציות להוראות אלה יגרור ביטול תוקף של כל סוגי האחריות. בטיחות כללית
 - מכשיר זה נועד לשימוש על ידי ילדים מגיל 8 ואילך וכן על ידי אנשים בעלי יכולת פיזית ירודה או בעלי לקויות חישתיות או שכליות או חסרי ניסיון או ידע הולמים, אם הם משתמשים במכשיר בצורה בטוחה בהשגחתו ובהנחייתו של אדם מבוגר ומבינים את הסכנות הכרוכות בשימוש במכשיר.
 - אסור לילדים לשחק במכשיר. אסור לילדים לנקות או לבצע תחזוקת משתמש ללא השגחה.
 - את פעולות ההתקנה והתיקון יבצעו נציגי שירות מורשים. היצרן לא יישא באחריות לנזקים כתוצאה מפעולות שנעשו על ידי גורמים בלתי מוסמכים. פעולות אלה יגרמו לביטול האחריות. קרא בעיון את ההוראות לפני ההתקנה.
 - אין להפעיל את המוצר אם הוא פגום או אם נגרם לו נזק בולט לעין.
 - ודא שכפתורי הפונקציות של המוצר מכובים לאחר כל שימוש.
- בטיחות בחשמל
- אם קיימת תקלה במוצר, יש להפעילו אך ורק לאחר שתוקן על ידי נציג שירות מוסמך. קיימת סכנת התחשמלות!

17	ניקוי המכשיר בפעם הראשונה	17	1	הוראות ואזהרות חשובות לשמירה על הבטיחות ועל איכות הסביבה
17	חימום ראשון	4	4	בטיחות כללית
18	5 כיצד להפעיל את התנור	4	4	בטיחות בחשמל
	מידע כללי על אפייה, צלייה ובישול בגריל	4	4	בטיחות המוצר
18		5	5	שימוש מיועד
19	19 כיצד להפעיל את התנור החשמלי	6	6	בטיחות לילדים
19	צבי הפעלה	6	6	סילוק המוצר הישן
20	שימוש בשעון התנור	6	6	סילוק חומרי האריזה
22	שימוש בנעילת המקשים	8	8	2 מידע כללי
22	שימוש בשעון כשעון מעורר	8	8	סקירה כללית
23	טבלת זמני בישול	8	8	תכולת האריזה
24	24 כיצד להפעיל את הגריל	8	8	מפרטים טכניים
25	טבלת זמני בישול בגריל	9	9	3 התקנה
26	6 תחזוקה וטיפול	11	11	לפני ההתקנה
26	מידע כללי	11	11	התקנה וחיבור
26	ניקוי לוח הבקרה	13	13	סילוק המוצר הישן
26	ניקוי התנור	15	15	4 הכנה
27	הסרת דלת התנור	16	16	עצות לחיסכון באנרגיה
27	הסרת זכוכית הדלת הפנימית	16	16	שימוש ראשון
28	החלפת נורת התנור	16	16	הגדרת זמן ראשונית
29	7 איתור תקלות	16	16	

קרא תחילה מדריך למשתמש זה!

לקוח יקר,

תודה שהעדפת מוצר מתוצרת Blomberg. אננו מקווים שתפיק את התוצאות הטובות ביותר מהמוצר, אשר יוצר באיכות גבוהה ובטכנולוגיה החדשנית ביותר. לכן, קרא בעיון את כל המדריך למשתמש, כולל כל המסמכים הנלווים אליו, לפני שתשתמש במוצר ושמור אותו בהישג יד לעיון בעתיד. אם אתה מעביר את המוצר למישהו אחר, מסור אותו יחד עם מדריך זה. פעל בהתאם לכל האזהרות והמידע המופיעים במדריך למשתמש.

זכור כי מדריך למשתמש זה מתאים גם למספר דגמים אחרים. ההבדלים בין הדגמים יזוהו במדריך.

הסברים על הסמלים

הסמלים הבאים משמשים לאורך המדריך למשתמש הזה:

מידע חשוב או עצות שימושיות לגבי השימוש.	
אזהרה לגבי מצבים מסוכנים שעלולים לפגוע בהיי אדם וברכוש.	
אזהרה מפני התחשמלות.	
אזהרה מפני סכנת שריפה.	
אזהרה מפני משטחים חמים.	



Arçelik A.Ş.
Karaağaç caddesi No:2-6
34445 Sütlüce/Istanbul/TURKEY
Made in TURKEY

Blomberg

תנור בישול ואפיה מובנה

דגם:

BEO 7422

הוראות הפעלה



Free Manuals Download Website

<http://myh66.com>

<http://usermanuals.us>

<http://www.somanuals.com>

<http://www.4manuals.cc>

<http://www.manual-lib.com>

<http://www.404manual.com>

<http://www.luxmanual.com>

<http://aubethermostatmanual.com>

Golf course search by state

<http://golfingnear.com>

Email search by domain

<http://emailbydomain.com>

Auto manuals search

<http://auto.somanuals.com>

TV manuals search

<http://tv.somanuals.com>