

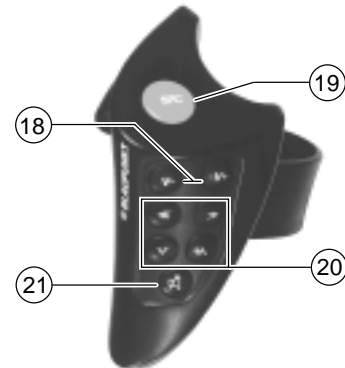
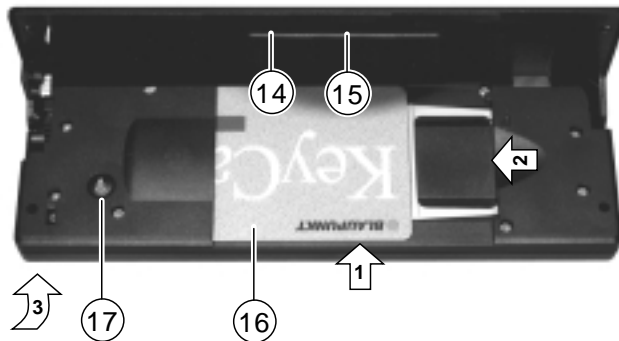
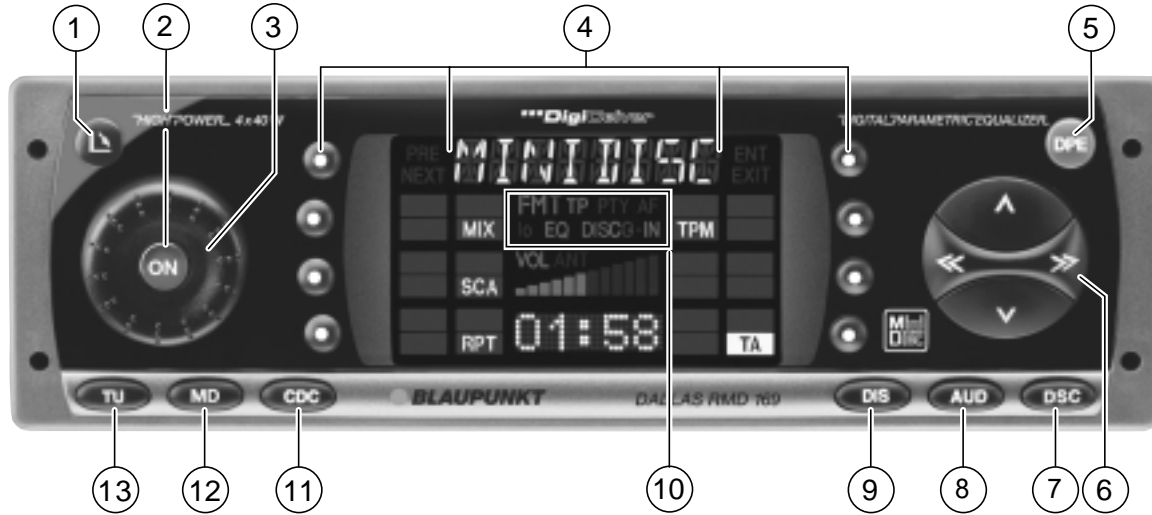
Radio / MD

Dallas RMD 169 US

Operating instructions



 **BLAUPUNKT**
Bosch Gruppe



Contents

Condensed instructions	4	Selecting the frequency band	16	Selecting tracks and CDs	23
Remote control RC 08	11	Station tuning	17	Repeating tracks and CDs	23
Important	12	Paging through the transmission chains (FM only)	17	TPM (Track Program Memory)	24
Read the following before using the unit	12	Changing the memory level (FM)	17	MIX	24
Traffic safety	12	Storing stations	17	SCAN	25
Installation	12	Automatically saving the strongest station with Travelstore	18	Assigning a name to CDs	25
Telephone mute	12	Calling up stored stations	18	Deleting the CD name/TPM store using DSC-UPDATE	25
Accessories	12	Sampling stored stations with Preset Scan	18	Clock - Time	26
Guarantee	12	Sampling stations with Radio Scan	19	Setting the time	26
International hotline	12	Changing the sampling time (Scan)	19	Displaying the time	26
KeyCard anti-theft protection system	13	Changing the sensitivity of the seek run	19	Correcting the time following an interruption to the power supply	26
Switching on the unit	13	Toggling between stereo and mono (FM)	19	Deactivating hours adjustment	26
Removing the KeyCard	13	Automatic bandwidth switching (SHARX)	19	Equalizer setting	27
Teaching in a second KeyCard/ replacing a KeyCard	13	PTY – Program Type	20	Adjustment instructions	27
Displaying the radio passport data	14	Program type	20	Adjusting the frequency level	27
Visual display for anti-theft protection	14	MiniDisc mode/ CD changer mode	22	Selecting a quality factor for the bass or mid-range	28
Care of the KeyCard	14	Inserting a MiniDisc	22	Selecting the preset sound setting:	28
KeyCard lost/damaged	14	Removing the MiniDisc	22	Tips on adjusting the equalizer	29
Teaching in the new KeyCard	14	Activating MiniDisc mode	22	Programming with DSC	30
Input errors	14	MD text	22	Overview of the factory default settings with DSC	32
Selecting the operating mode	15	Activating/deactivating MD text	22	Technical data	32
Enhancing display legibility	15	Displaying the MD text	22	Glossary of technical terms	33
Radio operation with RDS	16	Activating CD changer mode	23	Installation and connection instructions	138
Activating/deactivating RDS	16	Selecting the display type	23		
AF - alternative frequency	16				

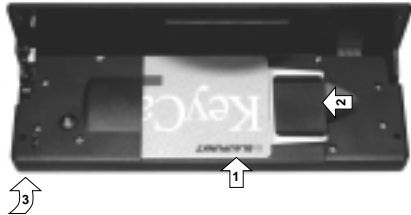
Condensed instructions

① Disengaging the fold-down control panel

Disengage the control panel to insert or remove the KeyCard and CD.

To disengage the control panel, press knob ①: the control panel folds down. The control panel cannot be removed, nor should it be used as a shelf.

To re-engage the control panel, push it back into its original position (Arrow 3).



⚠ For safety reasons, the control panel must always be engaged whilst the vehicle is moving. When leaving the vehicle, open the control panel and remove the KeyCard in order to prevent theft.

② ON Switching on the unit

Insert the KeyCard and press **ON** briefly.

The unit is switched on in the last operating mode selected and with the previously selected volume.



Switching off the unit

Press **ON** for approx. 1 second.

! The display can be adjusted for the desired viewing angle in order to improve legibility. Refer to "Improving the legibility of the display" if necessary.

Switching the sound on/off

Press **ON** briefly. "MUTE" appears on the display when the sound is switched off.

To switch the sound back on again, turn the volume knob ③.

Switching the unit on/off using the KeyCard

Insert/remove the KeyCard to switch the unit on and off.

Refer also to the description of the KeyCard anti-theft system ⑩ in the condensed instructions.

Switching on/off by the ignition

The unit may be connected up such that it is switched on and off by the vehicle ignition.

When the ignition is switched off, a double beep reminds you to remove the KeyCard before leaving the vehicle.

Switching on whilst the ignition is off

With the ignition off (and the KeyCard inserted), proceed as follows to operate the unit:

Press **ON** when the double beep sounds.

The unit is switched on.

The unit switches itself off automatically after an hour's use in order to prevent the vehicle battery from running down.

Condensed instructions

3 Adjusting the volume

Turn the knob to adjust the volume.



The selected value is shown on the display. When switched on, the unit plays at the preselected volume (ON VOL).

ON VOL can be changed (refer to "Programming with DSC – ON VOL").

4 Softkeys/display

Softkey = key with variable function.
The functions shown in the display can be selected.

Radio mode

In radio mode, use **TU** to toggle between menu level 1 and menu level 2. The system automatically returns to menu level 1 when no key has been pressed for eight seconds.

Menu level 1 Station keys and memory levels



NEXT - FM

Switch between the memory levels FM I, FM II, FM T.

NEXT - AM, AMT

Switch between the AM and AMT frequency bands.

ST1 - ST6

ST1- ST6 can be used on this menu level to store radio stations on the FM levels I, II and "T".

You can store six stations each on the AM and AMT bands.

Store station – press one of the station buttons ST1- ST6 until the station can be heard again (beep).

Call up station – select the frequency band. On FM, select the memory level using **NEXT** and press the appropriate station key briefly.

Menu level 2 Adjusting radio functions



NEXT - FM

Switch between the memory levels FM I, FM II, FM T.

NEXT - AM, AMT

Switch between the AM and AMT frequency bands.

BND

Select the frequency band and memory level (FM I, FM II, FM T, AM, AMT).

SCA - Scan

a) **PTY** is deactivated (logo is lit normally, not in reverse video)

Press **SCA** (Radio Scan) briefly – "SCAN" appears in the display alternately with the code of the sampled station. All stations on the frequency band which can be received are sampled briefly.

Condensed instructions

Press **SCA** for approx. 1 second (Preset Scan) – a beep sounds, “SCAN” appears in the display alternately with the code of the sampled station.

The stations stored on the station keys and which can be received are sampled briefly.

Stopping Radio Scan/Preset Scan:
Press **SCA** or the seek rocker again.

b) PTY is activated (logo appears in reverse video on the display)



Press **SCA** – the stations transmitting the selected PTY program type are sampled briefly.

AF
(RDS mode/Alternative Frequency)
RDS mode on/off: Select menu level 2 using **TU** and press **AF** briefly.
If “AF” appears in reverse video in the display, the radio automatically looks

for a frequency with better reception for the same station.
AF on/off: Select menu level 2 using **TU** and hold **AF** down.

EXIT
Press the key briefly to terminate or abort the adjustment process.

ENT (Enter)
Press briefly to accept/save the adjustments.

TS (Travelstore)
Press **TS** to switch from any frequency band to FMT or AMT. The six strongest stations are automatically stored. When they have been stored, the strongest station is selected and played.

PTY (Program Type)
PTY turns the station keys into program type keys.
“PTY” must first appear on the display in reverse video (press **PTY** if necessary).
A program type can now be stored and selected with each station key.
Call up PTY program types using the rocker **<< >>** and save with the station

key (hold down for approx. 2 seconds until the beep sounds).

MiniDisc and CD changer mode



MIX, SCAN, RPT (repeat) and TPM can be selected in MiniDisc and CD changer mode by means of the corresponding softkeys.

MIX
MiniDisc and CD tracks can be played in random order. You can select the following functions by pressing the **MIX** key:

- MIX MD/MIX CD = Tracks on the MiniDisc or CD (in CD changer mode) are played in random order. In CD changer mode, CDs are selected in numerical order, tracks are replayed in random order.
- MIX MAG (CD changer mode only) = All tracks in the magazine are played in random order.
- MIX OFF = Switches off function.

SCA - Scan

For sampling the tracks briefly (in CD changer mode, the tracks of all CDs).

Starting Scan:

Press **SCA**. The tracks are sampled briefly in ascending order. The sampling time can be adjusted.

(Refer to "Programming with DSC – SCANTIME".)

Ending Scan:

Press **SCA**. The last track selected continues playing.

RPT - Repeat

MiniDisc tracks and, in CD changer mode, CD tracks and CDs, can be repeated.

Press the **RPT** key to select the following functions:

- REP TRCK = Repeat track
- REP CD = Repeat CD (only in CD changer mode)
- RPT OFF = Switches off function.

TPM - Track Program Memory

For storing and playing preferred tracks in MiniDisc and CD changer mode. Up to 30 MiniDiscs can be managed in MiniDisc mode and 99 CDs in CD changer mode with a maximum of 40 tracks each. (Refer to the "TPM programming" section.)

CLR

For clearing the TPM memory (refer to the "Clearing the TPM memory" section).

5 DPE

For activating/deactivating the equalizer and changing the equalizer settings.

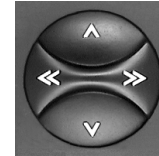
Activating/deactivating the equalizer:
Press **DPE** until the beep sounds.
When the equalizer is activated, "EQ" appears in the display.

Changing the equalizer settings:
Press **DPE** briefly. Further information on changing the equalizer settings: "Equalizer settings":

6 Rocker

Radio mode

If the rocker is pressed on menu level 2, menu level 1 is automatically called up.



^ / v **Station seek**

^ Up

v Down

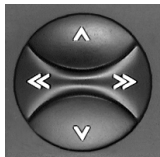
<< / >> Up/down in steps
(on FM, only when AF and PTY are deactivated)

FM only:

<< / >> Page through the transmission chains when AF is activated and PTY deactivated,
e.g.: NDR 1, 2, 3, 4, N-JOY

Condensed instructions

MiniDisc and CD changer mode



CDC mode

Select CD

- >> **Up:** Press briefly.
- << **Down:** Press briefly.

Select track

- ^ **Up:** Press briefly.
CUE - fast forward (audible):
Keep depressed
- v **Down:** Press twice or more in quick succession
Replay track from beginning:
Press briefly
REVIEW - fast rewind (audible):
Keep depressed

MD mode

Select track

- ^ / >> **Up:** Press briefly
CUE - fast forward (audible):
Keep depressed
- v / << **Down:** Press twice or more in quick succession
Replay track from beginning:
Press briefly
REVIEW - fast rewind (audible):
Keep depressed

Further functions of the rocker:

Further settings available with

AUD

⑧

DSC-MODE

⑦

PTY

The settings are available only if the corresponding function is activated.

⑦ **DSC (Direct Software Control)**

You can adjust programmable default settings using DSC.
Further information: "Programming with DSC".

⑧ **AUD**

For adjusting the treble, bass, balance (left/right), fader (front/rear) and loudness settings.

Loudness = adjustment of the low-volume sounds to the human ear.

Different treble, bass and loudness settings can be stored for the FM, AM, MD and AUX modes.

Adjustment procedure:

Select mode.

Press **AUD** once: "BASS" and the selected value appear on the display.



Select from the options using << / >>. Use ^ / v to change the settings. The values selected are shown on the display. The last setting selected is stored automatically.

Particular feature of loudness:

The values can be selected between LOUD 6 and LOUD OFF by means of the rocker ^ / v.

Leaving AUD:

Press **EXIT**.

If no change is made within eight seconds, AUD is automatically switched off.

Condensed instructions

9 **DIS**

Selecting various display modes.

Radio mode

Press **DIS** briefly:

- Name of the selected station
- Currently selected frequency
- PTY code

A condition is that an RDS station can be received with an adequate field strength.



Press **DIS** for approx. two seconds:
Toggle display between time and frequency band (incl. memory level in the case of FM).

MiniDisc mode

Press **DIS** briefly:

- Track number, time
- Track number, time played

Changer mode

Press **DIS** briefly:

- CD number, track number, time
- CD number, track number, time played
- CD name, track number

10 **Display**



- NDR2 - Station name
- FM - Frequency band
- I, II, T - Memory level I, II or Travel-store
- PTY - Program type is activated
- AF - Alternative frequency with RDS
- lo - Seek sensitivity can be selected with DSC
- EQ - Equalizer is activated
- DISC-IN - MiniDisc is inserted



- TRACK 13 - Track number
- or
- VIVALDI - CD name (CD changer mode)
- or
- CD 5 T 2 - CD number and track number (CD changer mode)
- MIX - Tracks can be played in random order
- SCA - Sample tracks
- RPT - Repeat function for MiniDisc/CD changer mode
- TPM - Save and play preferred tracks
- CLR - Clear TPM memory



- FM I, II, T - FM memory level
- or
- AM, AMT - Frequency band
- or
- 00:20 - Time (time played)
- or
- 12:50 - Time

Condensed instructions

11 CDC

Switch to changer mode (only if a changer is fitted).

If a changer is not fitted, AUX is selected. Condition: AUX ON must be selected in the DSC menu.

12 MD

Switch to MiniDisc mode.

13 TU (TUNER)

For switching to the radio mode, for toggling between FMI, FM II, TS (Travelstore), AM and AMT memory levels/frequency bands.

14 Slot for MiniDisc

When the MiniDisc is inserted with the label facing upwards it is automatically transported into the operating position. MiniDisc play mode is selected automatically.

15 Visual anti-theft protection

The following conditions must be met if the LED is to flash as a visible anti-theft protection measure:

- The unit is switched off;
- The control panel is open;
- The KeyCard is removed;

The ignition is off and LED ON is selected in the DSC menu (factory default setting).

Further information: "Programming with DSC, LED ON/OFF".

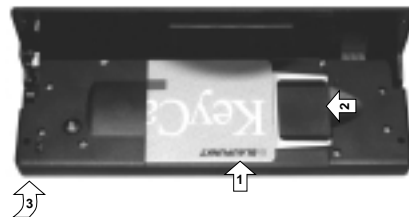
16 KeyCard anti-theft protection system

The KeyCard must be inserted before the unit can be operated.



Inserting the KeyCard

To disengage the control panel, press key ①. The control panel folds down. Insert the **KeyCard with the contact surface facing downwards** (see diagram). Engage the control panel.



Remove the KeyCard following the procedure in reverse.

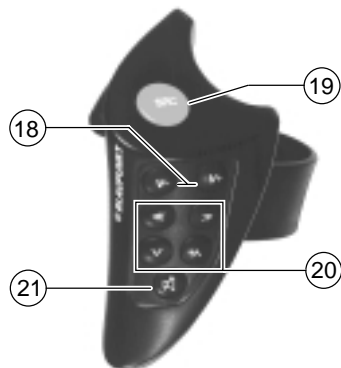
Important: read the information under "KeyCard anti-theft protection system".

17 Eject

Hold the key for MiniDisc ejection down for approx. 2 seconds: the MiniDisc is ejected.



For safety reasons, the control panel must always be engaged whilst the vehicle is moving. When leaving the vehicle, open the control panel and remove the KeyCard in order to prevent theft.



18 **V- / V+**
Adjust the volume

19 **SRC (Source)**
Select the operating mode
- Radio
- MiniDisc
- Changer mode (if a changer is connected)

20 **Keys <</>, ^/∨**

Radio mode

Station seek

^ Up
∨ Down

<</> Up/down in steps (on FM only when AF is deactivated)

FM only:

<</> Page through the transmission chains, if AF is on, e.g. NDR 1, 2, 3, 4, N-JOY ...

MiniDisc and CD changer mode

CDC mode

Select CD

>> **Up:** Press briefly
<< **Down:** Press briefly


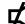
Select track

^ **Up:** Press briefly
CUE - fast forward (audible):
Keep depressed
∨ **Down:** Press twice or more in quick succession
Replay track from beginning:
Press briefly
REVIEW - fast rewind (audible):
Keep depressed

MD mode

Select track

^ / >> **Up:** Press briefly
CUE - fast forward (audible):
Keep depressed
∨ / << **Down:** Press twice or more in quick succession
Replay track from beginning:
Press briefly
REVIEW - fast rewind (audible): Keep depressed

21  Switching replay on/off:
Press  briefly. "MUTE" appears on the display when the sound is switched off.

Important

Read the following before using the unit

Before using the car radio, read the following instructions carefully.

Traffic safety

Traffic safety is of paramount importance. Always use your car radio system in a way which enables you to cope with the traffic situation.

Remember that your vehicle covers 45 feet a second at a speed of 32 mph.

In critical situations, do not operate the radio.

You must remain able to hear warning signals, for example from police and fire service vehicles, immediately and reliably.

Keep the volume therefore at a reasonable level whilst driving.

Installation

If you intend to install or modify the system yourself, read the installation and connection instructions at the end of the operating instructions before doing so.

Telephone mute

If a mobile phone is connected, radio and MD/CD sound can be muted automatically when the phone is in use (telephone mute). "PHONE" then appears on the display.

Accessories

Only use accessories and spare parts approved by Blaupunkt.

The following Blaupunkt products can be used with this unit:

Remote control RC 08



The RC 08 infrared remote-control permits operation of the chief functions from the steering wheel.

Amplifier

All Blaupunkt amplifiers

CD changer

The following CD changers can be fitted directly:

CDC A 06, A 072, A 08, IDC A 09.

CD changers A 05 and A 071 can be fitted by means of the 7 607 889 093 adapter cable.

Guarantee

The unit is guaranteed in accordance with the statutory provisions of the country in which it was purchased.

Irrespective of the statutory provisions, Blaupunkt guarantees the unit for twelve months.

Should you have any questions concerning the guarantee, please consult your dealer. Your receipt suffices as proof of guarantee.

International hotline

Do you have any questions regarding operation of the unit, or do you require further information?

Simply give us a call.

You can reach us on the following numbers:

Tel. 800-266 25 28

Fax: 708-681 71 88

KeyCard anti-theft protection system

Two KeyCards are supplied with the unit.

Should you lose or damage a KeyCard, you can obtain a replacement from a specialist dealer.

If you are using two KeyCards, the settings are taken from the first KeyCard.

You can customize the following functions:

Station key assignment, bass, treble, balance and fader settings, loudness, beep volume, LOW-EQ, HIGH-EQ.

The last state selected such as frequency band, station setting, AF, SCANTIME, seek run sensitivity, ON VOL (volume at switch on), SHARX, is also saved.

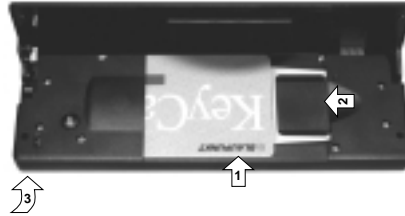
Your selected settings are therefore selected automatically when you insert your KeyCard.

Switching on the unit

- Switch on the unit with **ON**.

To insert the KeyCard, disengage the control panel:

- Press the knob ①: the control panel folds down forwards.
- Insert the KeyCard with the contact surface downwards, as shown in the diagram (Arrow 1).



- Slide the card in the direction of the arrow (2) and engage the control panel (Arrow 3).

The car radio is ready for use.

Should a KeyCard other than that belonging to the unit be inserted, "CARD ERR" appears on the display.

The unit switches itself off after approx. 10 seconds.

Should a card other than a KeyCard be inserted (e.g. a phonecard or credit card), "WRONG KC" is displayed for approx. 2 seconds.

In this case, remove the card and insert a KeyCard for the unit.

- Press **ON** to switch on the unit.

Removing the KeyCard

Disengage the control panel as follows

- Press the knob ①: the control panel folds down forwards.

- Slide the card as far as possible to the right, and remove from the front.
- Engage the control panel.



For safety reasons, the control panel must always be engaged whilst the vehicle is moving. When leaving the vehicle, open the control panel and remove the KeyCard in order to prevent theft.

Teaching in a second KeyCard/ replacing a KeyCard

An additional KeyCard can be "taught in" whilst the unit is in operation with the first KeyCard.

To "teach in" a second KeyCard:

- Slide the first KeyCard in and switch the unit on.
- Press **DSC** and use \wedge/\vee to select "LEARN KC".
- Press **<<** or **>>**.
- "CHANGE" appears on the display.
- Remove the first KeyCard and, with "CHANGE" on the display, insert the new KeyCard.

When "READY" or "LEARN KC" appears:

- Press **DSC**.

KeyCard anti-theft protection system

The unit is now also ready for operation with the new KeyCard.

A maximum of two KeyCards can be taught in.


If a third KeyCard is taught in, the card which is not employed for the teaching-in process of the new card automatically loses its validity.

Displaying the radio passport data

You can use the KeyCard supplied to call up the radio passport data such as the unit name, type number (7 6 ...) and serial number on the display.

Refer to "Programming with DSC – READ KC" for the procedure.

Visual display for anti-theft protection

Anti-theft protection is provided in the form of a flashing LED  when the vehicle is parked and the KeyCard removed.

The following conditions must be met:

Battery positive and constant battery positive are connected as described in the installation instructions.

The unit is switched off; the control panel is open; the KeyCard is removed; LED ON is selected in the DSC menu (default factory setting).

If necessary, refer to "Programming with DSC – LED".

Deactivating the flashing LED

Select "LED OFF" in the DSC menu to deactivate the flashing LED.


Care of the KeyCard

The KeyCard will function perfectly only if the contacts are kept free of foreign particles. Avoid touching the contacts directly with your hands.

If necessary, clean the KeyCard contacts using a cotton bud soaked in alcohol.

KeyCard lost/damaged

Should you damage or lose the KeyCard for your unit, you can teach in a new KeyCard. You can purchase the new KeyCard from your dealer. You will also require the master code for the unit, which can be found in the car radio passport.

-  Keep the car radio passport in a safe place, but not in the car.

Teaching in the new KeyCard

- Insert the new KeyCard and engage the control panel.
- Press **ON**.
- Press **TU** and **ST1** within 5 seconds: "0000" appears on the display.
- Using the rocker, enter the four-digit master code from the car radio passport:
 - ∧/∨ - Enter the digits (press once for one, twice for two, etc.)
 - << >> - Select the insertion point
- After entering the correct master code, press **ENT**.

The new KeyCard is accepted when the unit switches to play.

Input errors

Should the input not be correct, "CODE ERR" appears on the display. After three successive incorrect inputs, "WAIT 1h" appears on the display. The unit remains in Wait mode for one hour.

- Switch the unit off and on again. Repeat the teach-in process.

Selecting the operating mode

You can select from the Radio (TU), MiniDisc (MD) and CD changer (CDC) modes.

MD can be selected only if a MiniDisc is inserted.

CDC can be selected only if a Blaupunkt A 06, A 072, A 08 or A 05, A 071 or IDC A 09 CD changer is connected and a magazine containing at least one CD is inserted.

Toggling between operating modes:

- Press **TU**, **MD** or **CDC**.

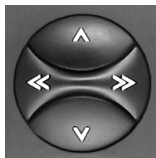
If TU is pressed again, menu level 2 is called up. Radio function adjustments can be made on this level. Menu level 1 is called up automatically if no input is made for approx. eight seconds.

Enhancing display legibility

The display can be adjusted to your preferred viewing angle in order to enhance legibility.

Proceed as follows:

- Press **DSC**.
“ANGLE” appears on the display.



- Use the rocker << >> to select optimum legibility for your driving position.

After selecting the setting:

- Press **DSC**.

Radio operation with RDS (Radio Data System)

The **Radio Data System** provides FM reception with enhanced convenience.

An increasing number of radio stations now broadcast RDS information supplementary to the program proper.

As soon as stations can be recognized, the station code appears, in some cases with indication of the region, e.g. NDR1 NDS (Niedersachsen).

Activating RDS causes the station keys to function as program keys. You now know exactly what station you are receiving, and you can therefore also select the desired station.

Activating/deactivating RDS

Activating/deactivating RDS:

During radio mode

- Press **TA** briefly.

The selected settings appear briefly on the display. When RDS is activated, "AF" appears in reverse video on the display.



AF - alternative frequency

The AF (alternative frequency) function ensures that the best available frequency of the station being received is selected automatically.

Switching AF on/off:

During radio mode

- Press **TU**: menu level 2 is called up.
- Hold **AF** down until the beep sounds.

This function is active when "AF" is lit in the display.



The radio may be muted briefly during the search for the channel with the best reception.

If "SEARCH" appears on the display when the unit is switched on or when a stored frequency is called up, the unit is automatically searching for an alternative frequency.

"SEARCH" disappears when an alternative frequency has been found, or when the waveband has been completely searched.

If the station can no longer be received with satisfactory quality:

- Select a different station.

Note:

AF is deactivated when you switch off RDS.

Selecting the frequency band

You can select from the following frequency bands:

FM 87.7 – 107.9 MHz,

AM 530 – 1710 kHz as follows:

- Press **TU**: menu level 2 is displayed.



Menu level 2

- Select the frequency band by pressing **BND** repeatedly until the desired frequency band appears.

The sequence is: FM I, FM II, FMT, AM, AMT.

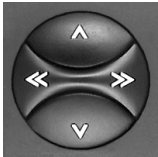
Radio operation with RDS (Radio Data System)

Station tuning

Station seek \wedge/\vee

- Press \wedge/\vee : the radio automatically looks for the next station.

If \wedge/\vee is held down at the top or bottom, the seek run continues forwards or backwards at higher speed.



Station seek

- \wedge Up
- \vee Down
- \ll / \gg Up/down in steps
(on FM, only when AF is deactivated)

Manual tuning with $\ll \gg$

You can tune manually.

Condition:

AF and PTY are deactivated (the corresponding symbols are not lit in the display).



If necessary, these functions can be deactivated on menu level 2.

Manual tuning:

- Press $\ll \gg$: the frequency is increased/reduced in steps.

Hold the $\ll \gg$ rocker down to the right or left to change the frequency quickly.

Paging through the transmission chains (FM only)

You can use $\ll \gg$ to call up stations from the region in which they can be received.

If a number of programs in the station chain can be received, you can page through them with \gg (forwards) or \ll (backwards), e.g. NDR 1, 2, 3, 4... .

You can also start Travelstore, for example:

- Press **TU**: menu level 2 is displayed.
- If "AF" fails to come on:
- Hold down **AF** on menu level 2.

Changing the memory level (FM)

You can change between memory levels I, II and T to store stations and retrieve them again. The selected memory level appears on the display.

- Press **NEXT** briefly and repeatedly until the desired memory level appears on the display.



Storing stations

You can store six stations on the FM band on each memory level (I, II, T) using the station keys **ST1 - ST6**.

You can also store six stations each on the AM/AMT bands. Proceed as follows:

- Press **TU**: menu level 2 is displayed.
- Select the frequency band using **BND**.
- Select a station using the rocker (automatically \wedge/\vee or manually $\ll \gg$).
- Hold the desired station key down until the program can be heard again after it has been muted and the beep sounds (approx. 2 seconds).

The station is now stored.

Radio operation with RDS (Radio Data System)

Note:

Should you store a station which has already been stored, the corresponding station key and the memory level flash briefly if a different memory level is called up.

Automatically saving the strongest station with Travelstore

You can store the six strongest FM and AM stations in the current reception region automatically in the order of field strength. This function is particularly useful on long journeys. Proceed as follows:

- Press **TU**: menu level 2 is displayed.
- Press **TS** briefly.

“T-STORE” flashes on the display.

The six strongest FM stations are automatically stored on the “T” (Travelstore) memory level. If fewer than six stations can be received, four lines appear through the memory locations which are not occupied. When the procedure has been completed, the strongest station (ST 1) is selected.

Stations can also be stored manually on the Travelstore level if required (see “Storing stations”).

Calling up stored stations

You can call up stored stations at the touch of a button.

FM

Call up the stations directly on the selected memory level as follows:

- Press the keys **ST1 - ST6**.

To call up stations on a different memory level:

- Press **NEXT** until the desired memory level is displayed, then select a stored station with **ST1 - ST6**.



AM, AMT

You can call up the stations on the selected frequency band directly:

- Press the keys **ST1 - ST6**.

Calling up stations on the other frequency band:

- Press **NEXT**: the other frequency band is displayed. Then select the stored stations using **ST1 -ST6**.

Sampling stored stations with Preset Scan

You can sample stored stations briefly on all frequency bands and on the selected FM memory level.

Preset Scan can be started only when PTY is disabled (“PTY” is not lit on the display).

If necessary, deactivate PTY on menu level 2. Proceed as follows:

- Press **TU** and disable PTY using the **PTY** key.

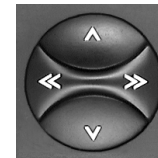
Starting Preset Scan:

- Press **SCA** for approx. 1 second.

All stored stations on the frequency band which can be received are sampled briefly in turn. “SCAN” and the flashing station name/frequency appear alternately on the display.

Selecting sampled stations/terminating Preset Scan:

- Press **SCA** or one of the rocker keys briefly.



Sampling stations with Radio Scan

You can sample briefly the stations which can be received on the selected frequency band.

Radio Scan can be started only when PTY is deactivated ("PTY" is not lit on the display).

If necessary, deactivate PTY on menu level 2. Proceed as follows:

- Press **TU** and disable PTY using the **PTY** key.

Switching on Scan:

- Press **SCA** briefly.

All stations on the frequency band which can be received are sampled briefly in turn. "SCAN" and the flashing station name/frequency appear alternately on the display.

Selecting a sampled station/deactivating Scan:

- Press **SCA** or one of the rocker keys briefly.

If a station is not selected, Scan is switched off automatically when the seek function has passed through the complete frequency range. The station previously selected is played.

Changing the sampling time (Scan)

The sampling time can be selected between 5 and 30 seconds.

If you wish to change the duration of the sampling time, refer to "Programming with DSC – SCANTIME".

Changing the sensitivity of the seek run

You can change the sensitivity of the automatic seek run.

If "lo" is displayed, seek only recognizes stations with good reception (low sensitivity).

If "lo" is not displayed, seek also recognizes stations with poorer reception.

To adjust the sensitivity, refer to "Programming with DSC – FM/AM Sens".

Toggling between stereo and mono (FM)

You can toggle between stereo and mono in the DSC menu. This can be useful in areas where reception is critical. When the unit is switched on, stereo is selected automatically.

When reception is poor, the unit switches smoothly to mono.

If you wish to switch to mono, refer to "Programming with DSC – STEREO/ MONO".

The state selected appears briefly on the display.

Automatic bandwidth switching (SHARX)

You can activate automatic bandwidth switching on the FM band by means of the SHARX function in the DSC menu.

This is very useful when a number of stations are close together.

Interference from strong adjacent stations is largely eliminated when SHARX ON is selected (factory default setting).

If necessary, refer to "Programming with DSC – SHARX".

Radio operation with RDS (Radio Data System)

PTY – Program Type

This is an RDS service which is being implemented progressively by the radio stations. The service enables FM stations to be selected according to a specific program content. After selecting the program type, you can select the stations using seek or Scan.

Activating/deactivating PTY:

- Press **PTY**.

When the function is activated, the last program type selected, e.g. "SPORT", is displayed briefly. "PTY" remains on the display as long as PTY is activated.



Program type

You can display the last program type selected and select a different program type with << >>.

Use the station keys 1 - 6 to select stored program types.

Condition: PTY is activated.

The program types listed below are available:

NEWS
INFORM
SPORTS
TALK
ROCK
CLS ROCK
ADLT HIT
SOFT ROCK
TOP 40
COUNTRY
OLDIES
SOFT
NOSTALGA
JAZZ
CLASSICAL
R + B
SOFT R + B
LANGUAGE
REL MUSIC
REL TALK
PERSNLTY
PUBLIC
WEATHER

Prompting the station for the program type

On menu level 2:

- Hold **PTY** down for approx. 2 seconds.

After the beep, the program type of the station currently being received is displayed.

If "NONE" is displayed, the station has no PTY code.

Displaying the selected program type

- Press << or >>.

The last program type selected is displayed briefly.

Selecting the program type

- a) Using the station keys

If PTY is activated, the program types defined by the factory can be selected by means of the keys ST 1 - ST 6.

- Press one of the keys 1 - 6.

The selected program type appears on the display for two seconds.

To listen to a station broadcasting this program type:

- Start the seek run with \wedge / \vee .

If no station broadcasting the selected program type is found, "NO PTY" appears briefly on the display, and the beep sounds. The last station selected is played.

You can assign different available program type to each memory location. Refer if necessary to the "Saving the program type" section below.

b) With the seek run rocker << >>

If PTY is activated, you can select a program type with << >>.

- Press << or >>: the last program type selected is displayed for three seconds.
- During this time, select the desired program type with >> (forwards) or << (back).
- Press << or >> as many times as necessary.

To listen to a station broadcasting this program type:

- Start the seek run with \wedge/\vee .

If no station broadcasting the selected program type is found, "NO PTY" appears briefly on the display, and the beep sounds. The last station selected is played.

Storing the program type

A program type is stored on each of the keys ST1 - ST6 by the factory.

You can however store other available program types.

"PTY" must be displayed before you can store a different program type.

- If necessary, activate "PTY" using the **PTY** key.
- Select the program type with << >> and

- Hold the desired key (ST1- ST6) down until the beep sounds.

The selected program type can be called up by means of this key when PTY is activated ("PTY" appears on the display).

Sampling stations with PTY-SCAN

Condition: "PTY" must be displayed.

- Press **SCA**.

The stations with this program type which can be received are sampled briefly.

Deactivating PTY-SCAN:

- Press **SCA** or the seek rocker again.

Following a frequency seek run, PTY-SCAN is automatically deactivated.

PTY priority

Situation:

PTY is activated, the logo appears on the display.

No station broadcasting the selected program type can be received at this time (by seek or by Scan).

The unit switches back to the previous station.

As soon as a station broadcasting the selected program type can be received within the station chain, the unit switches to this station in radio mode for the duration of the program.

Example:

- Previous station: NDR 3.
- "PTY" on the display
- "POP" selected
- Seek run started
- No station with "PTY-POP" found
- Display shows "NO PTY" and
- Switches back to NDR 3 automatically
- NDR 2 is broadcasting "PTY-POP"
- Unit switches within the station chain to NDR 2 and plays it as long as the station continues to broadcast "POP".

The unit also switches automatically in MD/CDC mode to the station broadcasting the selected program type within the transmission chain.

When the PTY program is over, the unit switches back to the source previously selected (radio, MD or CDC).

Note:

As already mentioned, these functions are not currently available with all RDS stations.

MiniDisc mode/CD changer mode

This unit enables you to play MiniDiscs. CDs can also be played with the aid of a Blaupunkt CDC A 06, A 072, A 08, A 05, A 071 or IDC A 09 CD changer.

These CD changers are available from your dealer.

Note:

Only use standard circular 12 cm diameter CDs in the CD changer.

8 cm diameter CDs or CDs with different shapes, e.g. of a butterfly or beer glass, are not suitable for playing.

Such CDs present a serious risk of damage to the CD and to the drive.

We can accept no liability for damage arising from the use of unsuitable CDs.

Inserting a MiniDisc

- Switch on the unit and disengage the control panel with knob ①.

The control panel drops forward.

- Insert the MiniDisc with the label facing upwards in the direction indicated by the arrow. Do not use force.

The MiniDisc is automatically transported to the playing position. The MiniDisc is played.

- Fold the control panel up on the left-hand side and engage.



Removing the MiniDisc

- With the control panel disengaged, hold the Eject key (arrow) down for approx. 1 second.

The MiniDisc is ejected.

Do not obstruct or assist automatic insertion or ejection of the MiniDisc, as the mechanism may otherwise be damaged.

If the MiniDisc is not removed, it is drawn in again automatically after approx. 30 seconds.



For safety reasons, the control panel must always be engaged whilst the vehicle is moving.

Activating MiniDisc mode

A MiniDisc is inserted, "DISC-IN" appears on the display.

- Press **MD**.



MD text

The names of the MD and individual tracks can be displayed if they are stored on the MiniDisc.

Activating/deactivating MD text

- Hold the **DIS** key down until a beep sounds. The text "MDTXT ON" or "NO MDTXT" is displayed.

Displaying the MD text

- Press **MD** briefly.

Condition: SCROLL is set to OFF in the DSC menu. SCROLL ON causes the name to run across the display.

Refer to the "Programming with DSC - SCROLL" section.

MiniDisc mode/CD changer mode

Activating CD changer mode

A magazine containing at least one CD must be inserted.

- Press **CDC**. CD changer functions such as CD and track number, name, time played appear in the display.

Selecting the display type

You can switch the display type over in MiniDisc and CD changer replay mode:



- Press **DIS** repeatedly until the desired display type is selected.

MD mode:

“TRACK 13” – Track number

“14:34” – Time

“00:20” – Time played

Key held down: Activate/deactivate MD text.

CDC mode:

“CD 10” – CD number

“TRACK 13” – Track number

“14:34” – Time

“00:20” – Time played

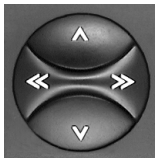
“VIVALDI” – CD name

The name of the CD can be displayed only if a name has been entered.

Refer to the “Assigning names to CDs” section below.

Selecting tracks and CDs (CDs only in CD changer mode)

You can select tracks or parts of tracks and, in CD changer mode, CDs conveniently using the rocker.



Selecting a CD (CD changer mode only)

<< / >> Select CD (CD changer mode only)

>> Up: Press briefly

<< Down: Press briefly

Selecting a track

^ / v Select track

^ Up: Press briefly

CUE - fast forward (audible):
Keep depressed

v Down: Press twice or more in quick succession

Replay track from beginning:
Press briefly

REVIEW - fast rewind (audible):
Keep depressed

The rocker acts as a sequence switch: pressing it repeatedly causes several CDs or tracks to be skipped.

Repeating tracks and CDs (CDs only in CD changer mode)

You can repeat a track or (in CD changer mode) a CD continually. You can select the following functions using the **RPT** key:

- REP TRCK = Repeat track
- REP CD = Repeat CD (only in CD changer mode)
- RPT OFF = Deactivate function.

- Press **RPT** repeatedly until the desired function is activated.

The track or the CD is played repeatedly until you switch to “RPT OFF” using **RPT**.

MiniDisc mode/CD changer mode

TPM (Track Program Memory)

For storing and playing preferred tracks in MiniDisc and CD changer mode. Up to 30 MiniDiscs can be managed in MiniDisc mode and 99 CDs in CD changer mode with a maximum of 40 tracks each. TPM is active only in the mode in which the track programme was stored (MiniDisc or CD changer mode).

Storing tracks with TPM

A track can be stored only whilst it is being played.

To store:

- Hold **TPM** down for approx. 1 second: “TPM PROG” appears on the display.

This track has been stored.

Activating/deactivating TPM replay

- Press **TPM** briefly. The activated state is indicated briefly on the display (TPM ON/OFF).



If “TPM” is shown in reverse video on the display, TPM replay is activated. All tracks on the MiniDisc or CD which were stored in the operating mode with TPM are played. If SCA (Scan) is activated in addition to TPM, only the stored tracks are sampled.

TPM replay can be switched on only if tracks have been stored using TPM.

Clearing the TPM memory

You can clear tracks stored with TPM.

TPM tracks can be cleared with **CLR** only during replay.

- Activate TPM. “TPM” appears on the display in reverse video. In this case, “CLR” appears below TPM.

If you wish to delete the current track only:

- Hold **CLR** down for approx. 2 seconds: “TRCK CLR” appears briefly on the display.

If you wish to delete all TPM tracks on the MiniDisc or the CD:

- Hold **CLR** down for approx. 5 seconds: “MD CLR” or “DISC CLR” appear briefly on the display (in MiniDisc mode and CD changer mode respectively).

To delete the stored TPM tracks of all CDs in CD changer mode:

- Hold **CLR** down for approx. 8 seconds: “ALL CLR” appears on the display.

If you wish to delete TPM and CD names simultaneously, refer to “Deleting CD name/TPM store using DSC-UPDATE”.

MIX

MiniDisc and CD tracks can be replayed in random order. MIX is activated when “MIX” appears in reverse video on the display.

You can select from the following MIX functions:

MIX MD/MIX CD (in CD changer mode)

Tracks on the MiniDisc or the selected CD are played in random order. In CD changer mode, the remaining CDs are selected in numeric order. MIX applies to the order in which the tracks are played (random).

MIX MAG (in CD changer mode only)

CDC A 08, IDC A 09: All tracks in the magazine are played in random order.

CDC A 06/072: The CDs are selected in random order; all tracks of the selected CD are then replayed in random order.

MIX OFF

MIX is deactivated. CDs are played in numeric order.

Selecting MIX functions

- Press **MIX** briefly: the display signals briefly the activated state.

SCAN

For brief sampling of the MiniDisc or CD tracks.

Starting SCAN:

- Press **SCA** briefly: "SCAN" appears on the display.

The tracks are sampled briefly in turn in ascending order.

Ending SCAN:

- Press **SCA** briefly.

The last track selected continues playing.

SCAN is also terminated when the rocker, MIX, RPT, DSC, AUD, TU or CDC are pressed.

Assigning a name to CDs (in CD changer mode only)

You can assign names to up to 99 CDs in CD changer mode.

This name (e.g. VIVALDI) appears on the display when you have selected the corresponding display mode using **DIS**.

Starting input:

- Press the **DSC** key and \wedge/\vee repeatedly until "CDC-NAME" appears on the display.
- Press **<< >>**.

The first input field flashes.

- Now select a character using the rocker \wedge/\vee .

The letters of the alphabet in capitals (A-Z), the numbers 0-9 and special characters appear in turn.

- Move to the next underline using the rocker **<< >>**, and select a character.

Up to eight characters can be selected in this way.

Storing/terminating the input:

- Press **ENT** to store the input.

If you wish to abort input of this name:

- Press **DSC**.

If you wish to enter a name for another CD:

- Press the rocker **<< >>** and
- Use \wedge/\vee to select from the magazine the next CD to which a name is to be assigned.

To change a name, enter and save other characters (overwrite).

Deleting the CD name/TPM store using DSC-UPDATE

The stored names and the TPMs of CDs can be deleted simultaneously by means of DSC-Update.

You can delete the names and TPMs of the inserted CD with "CLR DISC".

You can delete the names and TPMs of all stored CDs with "CLR ALL".

A CD the stored data (name and TPM) of which are to be deleted must be replayed for this purpose.

- Press **DSC**.
- Press \wedge/\vee repeatedly until "UPDATE" appears on the display.
- Use **>>** "CLR DISC" for selection if you wish to delete the name and TPM of the stored CD.

or

- Use **<<** "CLR ALL" for selecting if you wish to delete the names including TPMs of all stored CDs.
- Hold **ENT** down for approx. 1 second: "DELETING" appears briefly on the display.

The display operation has been completed.

To return to the DSC menu item "UPDATE" without deleting CD names and TPMs:

- Press **ENT** briefly.

Clock - Time

The unit has an internal clock which is set automatically through RDS for absolute accuracy.

A condition for correction by RDS is that an RDS transmitter with CT function (CT = clock time) is being received.

Automatic correction of the time can be deactivated.

Setting the time

a) Automatically

The time is set automatically when an RDS transmitter with the "CT" (clock time) function is being received.

b) Manually by means of DSC-CLOCKSET

- Press **DSC** briefly: "CLOCKSET" appears on the display.
- Press << >> to set the hours/minutes. The flashing range can be adjusted with ^/v.
- After correcting the time, press **ENT** briefly to save the setting.

Displaying the time

The time can be displayed in radio and MD/CDC mode.

Radio mode:

The display can be toggled between time and frequency band (incl. memory level in the case of FM) as follows:

- Press **DIS** for approx. 2 seconds.

MiniDisc/CD changer mode:

You can select from three different display modes:

- Track number, time
- Track number, time played
- CD name, track number (CD changer mode only).

To toggle:

- Press **DIS** briefly.

Correcting the time following an interruption to the power supply

If the unit has been isolated from the supply voltage for a longer period, "0:00" is displayed when the power is reconnected.

The time is corrected automatically by RDS-CT, but can also be adjusted manually.

The time need be adjusted manually only if an RDS station with CT (clock time) is not being received.

If you wish to correct the time manually, refer to "Programming with DSC – CLOCK-SET".

Deactivating hours adjustment

Correction of the hours can be deactivated by "CLK MAN/CLK AUTO" in the DSC menu. The minutes continue to be corrected.

This is useful if you wish to display the time of a different time zone, for example.

If necessary:

- Press **DSC** briefly and
- Press ^/v repeatedly until "CLK MAN/CLK AUTO" is displayed.

To deactivate hours correction, select << >> "CLK MAN".

The sound in the vehicle is influenced decisively by the acoustic characteristics of the passenger compartment, substantially more than by the characteristics of the loudspeakers.

The position and installation of the loudspeakers and the volume to the rear, for example of the door or rear shelf, are however also important.

Even when suitable loudspeakers have been selected and installed properly, resonances in the passenger compartment may have a detrimental effect upon the sound.

This can result in the bass frequencies booming or being absent, mid-frequencies encroaching excessively, musical instruments or voices being strongly distorted, or the sound generally being muffled.

The subjective sound impression can be improved considerably by suppression or amplification of certain frequency ranges by the car radio.

This unit is equipped with two parametric filters. The first filter, "LOW EQ", can be adjusted from 32 to 500 Hz, the second, "HIGH EQ", from 630 to 10 000 Hz. In this case, parametric means that **one** frequency can be increased or reduced for each of the two filters (+10 to -20 dB). The bandwidth/quality of the two filters can also be adjusted.

The parametric filters can be adjusted exactly without instruments.

In addition, you can select from seven pre-programmed equalizer settings, which are adjusted for different musical styles. Refer to the "Selecting pre-set sound settings" section.

The steps required for adjustment are described in the table.

Adjustment instructions

The instructions below represent a recommendation only. You can adjust the sound characteristics according to your own personal preference.

We recommend that you use a familiar music CD for adjustment of the filters. The MD/CD should include tracks with a range of instruments and voice. Pure electronic music is not suitable for evaluation purposes, since the original sound is not known.

Before adjusting the equalizer, set the bass, treble, balance and fader to "0".

This setting is described in the condensed instructions under **8 AUD**.

Now listen to the MD/CD with which you are familiar.

Evaluate your impression of the sound according to your taste.

Now read the "Tonal effect/problem" column in the table, and look for solutions under "Measure".

Use the LOW EQ filter for settings in the bass and lower mid-range, and the HIGH EQ filter for the treble and upper mid-range.

The "HIGH EQ" and "LOW EQ" filters can be adjusted in the DPE menu:

- Press **DPE** to call up the DPE main menu.

Adjusting the frequency level

- Press \wedge/\vee repeatedly until "HIGH EQ" or "LOW EQ" appear in the display.
- Press \ll or \gg once or several times to select the frequency.
- Press \wedge/\vee once or several times to adjust the level (GAIN +8 ... GAIN -8).
- Press \ll or \gg once or several times to select a different frequency and to adjust the level accordingly.
- Press **DPE** or **EXIT** to save the selected level and to return to the DPE main menu.
- Press **DPE** or **EXIT** again to close the DPE menu.

Equalizer setting

Selecting a quality factor for the bass or mid-range

- Press \wedge/\vee repeatedly until "LO-Q-FAC" or "HI-Q-FAC" appear in the display.
- Press \ll or \gg once or several times in order to set the quality factor (Q-FACT 1 to Q-FACT 3).
- Press \wedge/\vee to save the selected factor and return to the DPE main menu.

Or

- Press **DPE** or **EXIT** to save the selected factor and to close the DPE main menu.

Selecting the preset sound setting:

Selecting a preset influences the equalizer and sound settings of the unit.

Each selected preset can be adjusted manually. When a different preset is selected, however, the factory default setting is restored. Your personal sound settings for BASS, TREBLE, EQ and LD are stored in the "USER" preset mode.

To call up the presets:

- Press \wedge/\vee repeatedly until "PRESET" appears on the display.
- Press \ll or \gg once or several times to select the (*USER* \gg LINEAR \gg ROCK \gg DISCO \gg JAZZ \gg CLASSIC \gg VOCAL) equalizer setting.
- Press \wedge/\vee to save the selected equalizer setting and return to the DPE main menu.

Or

- Press **DPE** or **EXIT** to save the selected equalizer setting and to close the DPE main menu.

To activate/deactivate the equalizer, hold **DPE** down for approx. 2 seconds.

This enables you to compare the sound with and without equalizer.

Equalizer setting

Tips on adjusting the equalizer

Begin adjustment with the mid-range/treble and complete it with the bass range.

Frequency ranges	Tonal effect/problem	Measure	Note
Bass range 30 to 100 Hz	Bass response too weak	Increase the bass with Filter: "LOW EQ" Frequency: 50 to 100 Hz Level: +4 to +6 dB	Avoid distortion. Raise the level cautiously if the loudspeaker diameter is too small.
Lower mid-range 100 to 400 Hz	Bass not clean Booming Unpleasant pressure on the ears	Reduce the lower mid-frequen- cies with Filter: "LOW EQ" Frequency: 125 to 400 Hz Level: Approx. -4 dB	The tonal response may be- come too thin and aggressive. Pay attention to the fundamen- tal tone range of the music.
Mid-range 400 to 4 000 Hz	Sound lacks depth, aggressive, no stereo effect	Reduce the mid-frequencies with Filter: "HIGH EQ" Frequency: 1 000 to 2 500 Hz Level: -4 to -6 dB	Reproduction must not be- come too faint. Tonal response too weak.
Treble 4 000 to 20 000 Hz	Response is dull Clarity lacking Instruments lack brilliance	Increase the treble range with Filter: "HIGH EQ" Frequency: Approx. 10 kHz Level: +2 to +4 dB	Avoid a sharp tonal response. Loud hissing impairs the quali- ty.

Programming with DSC

The car radio offers the facility to adjust certain settings and functions to your requirements and to store these changes with the aid of DSC (**D**irect **S**oftware **C**ontrol).

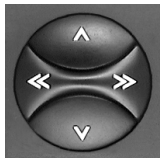
The default settings are selected at the factory.

An overview of the factory default settings is provided below for future reference.

To alter a programming setting:

- Press **DSC**.

Select and adjust the functions described below by means of the rocker and the **ENT** key. The status of adjustment is shown on the display.



^/V Select function
<< >> Adjust/call up value

ANGLE

Adjust the display to your own viewing angle.

DIM DAY

Select the display brightness for daylight (Stages 1-9).

DIM NIGHT

Select the display brightness for darkness (Stages 1-9).
The brightness is switched over automatically by the headlights.

ON VOL

Select the initial volume. Use << >> to select the desired initial volume. If "LAST VOL" is selected, the initial volume is the same as that last selected.

PEAK ON/OFF

Activate/deactivate the dynamic volume level display.

SHARX

Automatic bandwidth switching on the FM band. Where the station density is high, switch to SHARX ON with << >>: this largely elimi-

nates interference from adjacent stations. "SHARX ON" is the factory default setting.

HICUT

Interference-driven treble reduction. Treble frequencies are reduced only when interference is present. Can be selected from NO HICUT (OFF) to HICUT 3 (strongest treble reduction). Decide for yourself which setting is the most pleasant.

FM/AM SENS

Change the sensitivity of the seek run. "SENS 1" indicates close reception, "SENS 6" distant reception. Select "SENS 1" if you wish to receive strong stations in the near range; select "SENS 6" if you also wish to receive weaker, distant stations.

STEREO/MONO

Toggle << >>.
The display indicates the selected state briefly.
STEREO is selected automatically when the unit is switched on.

AMP DELAY Energization delay of external amplifiers. DLAY OFF signifies no energization delay. DLAY 1 to DLAY 4 signify the energization delay in seconds.

CDC NAME Displayed only in CD replay mode.
You can use this function to assign any desired name to the CDs. (Refer to "Assigning names to CDs".)

CLOCKSET Manual adjustment of the time.
Use << >> to select hours/minutes. The flashing range can be adjusted with ^/∨.
Press **ENT** briefly to save after completing the setting. Refer also to "CLOCK time".

CLK AUTO/MAN

For activating/deactivating automatic hours correction. Refer also to "CLOCK time, hours correction".

12/24H MODE

Select the time display (12-hour or 24-hour).

CLK ON/OFF The time can be displayed with the ignition on and the unit switched off. Select CLK ON in this case.

BEEP Confirmation signal for functions which require a key to be held down for approx. 1 second.
The volume can be selected from 0 to 9 (0 = off).

LED ON/OFF You can select between LED ON and LED OFF.
When LED ON is selected, the "ON" knob flashes to provide additional security when the unit is switched off and the KeyCard removed.

SCANTIME This setting defines the sampling time (5 - 30 seconds) for radio broadcasts and CD tracks.

AUX ON/OFF This menu item does not appear when a CD changer is connected. "OFF" is the default factory setting. If an external unit is connected through AUX, "ON" must be selected.

LEARN KC This function enables you to teach in a second KeyCard. Refer to the instructions under "KeyCard anti-theft protection system": "Teaching in a second KeyCard".

READ KC The data can be read out from a KeyCard.
Unit data such as name, type number (76...) and serial number are displayed by the KeyCard supplied. Should you remove the KeyCard during the read process, "READ KC" appears in the display.

UPDATE In CD changer mode, this function enables the names of CDs to be deleted in order to create space for new CDs. (Refer to “Deleting CD names with DSC-UPDATE”.)

TUNER Selecting the reception range for your country. The frequency range in kHz within the waveband is shown in brackets for each setting.
 USA (AM 10, FM 200)
 LATIN (AM 10, FM 200)
 EUROPA (AM 9, FM 100)

End DSC programming/store settings:

- Press **DSC**.

Overview of the factory default settings with DSC

ANGLE	0
DIM DAY	9
DIM NIGHT	9
ON VOL	LAST VOL
PEAK ON/OFF	ON
SHARX	SHARX ON
HICUT	HICUT 2
FM/AM SENS	SENS 6
STEREO/MONO	STEREO
AMP DELAY	DLAY OFF
CDC NAME	-
CLOCKSET	0:00
CLK AUTO / MAN	CLK AUTO
12/24H MODE	24H MODE
CLK ON/OFF	CLK OFF
BEEP	3
LED	ON
SCANTIME	10 sec.
AUX	OFF
LEARN KC	-
READ KC	-
UPDATE	-

Amplifier

Output power: 4 x 25 watts sinusoidal to DIN 45 324 at 14.4 V
 4 x 40 watts max. power

Tuner

Frequency bands:
 FM : 87.7 – 107.9 MHz
 AM : 530 – 1710 kHz

FM sensitivity: 0.7 μ V at a signal-to-noise ratio of 26 dB.

FM mono sensitivity: 7.8 dBf

FM transmission range: 20 - 16 000 Hz

MD

Transmission range: 20 - 20 000 Hz

We reserve the right to make changes!

Glossary of technical terms

AF – Alternative Frequency

With RDS, this function ensures that the best frequency of the current program which can be received is selected automatically.

Amplifier

Power amplifier for increasing the output power.

AUD – Audio

Sound adjustment of basses and trebles, adjustment of the right/left (balance) and front rear (fader) volume ratios.

BND (Band)

Selection of the frequency band and the memory level.

CL – Clear

Return to the previous menu item.

DSC – Direct Software Control

DSC can be used to adjust certain factory default settings according to the user's personal requirements.

ENT (Enter)

Press briefly to accept/save the adjustments.

Equalizer

Sound control for adjustment of the frequency response to the acoustic conditions and personal taste.

EXIT

Press the key briefly to terminate or abort the adjustment process.

KeyCard

Blaupunkt's anti-theft protection system. The unit can be operated only with the correct KeyCard.

MIX

Play CDs/CD tracks in random order.

Preset Scan

See SCAN.

Preset Equalizer

Preprogrammed sound settings

PTY

For selection of a desired program type in FM mode (e.g. sport, news). Refer also to RDS.

Quality

Edge steepness of the frequency filters in the parametric equalizer.

RDS – Radio Data System

Service provided by the broadcast stations for improved listening convenience.

For example, the station name is shown in place of the frequency.

Further RDS functions include:

AF – Alternative Frequency

PTY – Program Type

RPT (Repeat)

Repeat MD and CD tracks. Tracks or CDs can be repeated in CD changer mode.

SCAN

For brief sampling of the radio stations which can be received, or of the tracks in MD and CD changer mode.

The stored radio stations can be sampled with Preset Scan.

Softkey (Software key)

Key with variable function.

TPM – Track Program Memory

For storing and playing preferred tracks in MD and CD changer mode.

TS – Travelstore

Automatically saves the station with the strongest reception; can be called up using the station keys.

Particularly useful on long journeys.

Blaupunkt-Werke GmbH
Bosch Gruppe

K7/VKD 8 622 402 195



Radio / MD

Dallas RMD 169 US

Installation instructions
Instructions de montage
Instrucciones de montaje
Instruções de montagem



 **BLAUPUNKT**
Bosch Gruppe

(GB) Safety precautions

Installation and connection regulations

- In the event that this equipment is installed or repaired incorrectly, this could cause malfunctions in the vehicle electronics.
- To avoid causing damage to your radio, use the corresponding Blaupunkt adapter cable to connect the 8-pin +/- ISO plug in the vehicle.

While installing and connecting this equipment, please observe the following safety notes.

- Disconnect the negative battery terminal.
- Observe the car manufacturer's safety instructions.
- If you drill any holes, make sure that you do not damage any parts of the vehicle.
- The diameter of the positive/negative cable must not be less than 16 GA.

(F) Indications de sécurité

Consignes de montage et de branchement

- En cas d'erreur d'installation ou d'entretien, des perturbations peuvent survenir au niveau des systèmes électroniques du véhicule.
- Pour ne pas détériorer votre autoradio, branchez le connecteur ISO +/- 8 pôles du véhicule uniquement via un câble adaptateur Blaupunkt correspondant.

Pendant le montage et le branchement, observez les consignes de sécurité suivantes :

- Débrancher le pôle (-) de la batterie.

- Observer ce faisant les indications de sécurité du constructeur automobile.
- Veiller à ne pas endommager les pièces du véhicule en perçant des trous.
- La section transversale du câble (+) et (-) ne doit pas être inférieure à 1,5 mm².

(E) Normas de seguridad

Especificaciones sobre la instalación y conexión

- En caso de realizarse una instalación o un mantenimiento inadecuado, éstos pueden ocasionar fallos en las funciones de los sistemas eléctricos del vehículo.
- Para que su radio no sufra daños, debe conectar el enchufe del vehículo de 8 polos +/- ISO sólo al correspondiente cable adaptador Blaupunkt.

Durante el montaje y la conexión observe las siguientes normas de seguridad.

- Desemborne el polo negativo de la batería.
- Al hacerlo, observe las normas de seguridad del fabricante del vehículo.
- Al taladrar orificios asegúrese de que el vehículo no sufra ningún daño.
- El diámetro del cable positivo y negativo no debe ser menor a 1,5 mm².

(P) Indicações de segurança

Directivas de montagem e de conexão

- Podem ocorrer erros de funcionamento em sistemas electrónicos de automóveis de-

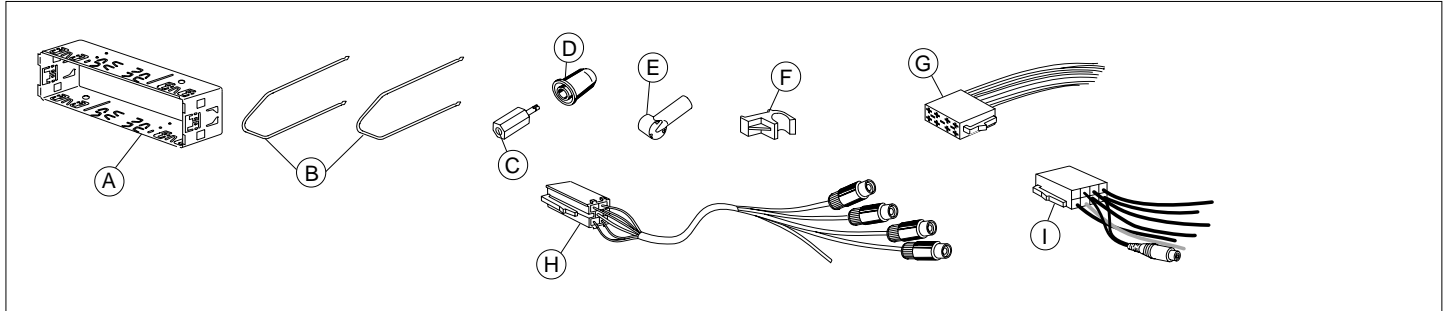
vido à uma instalação ou manutenção errada.

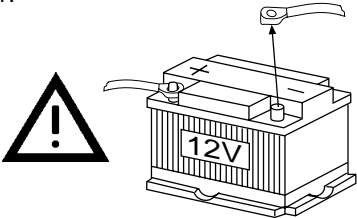
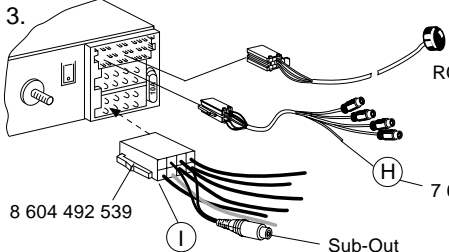
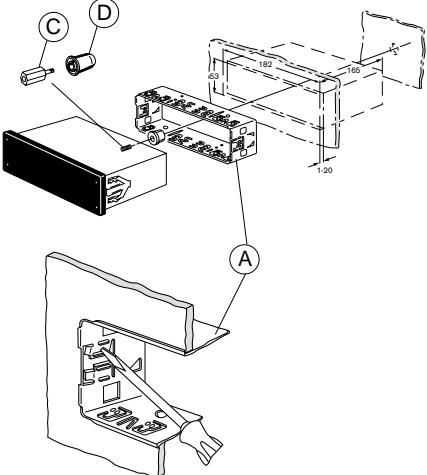
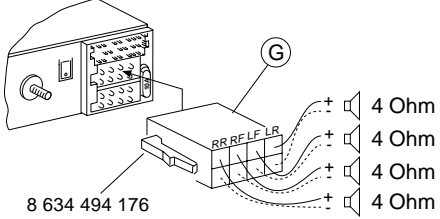
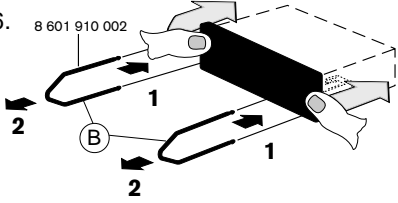
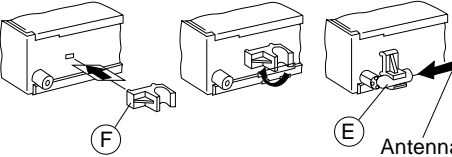
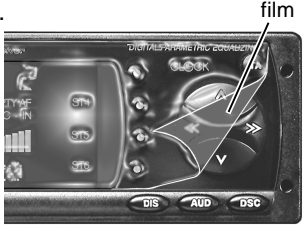
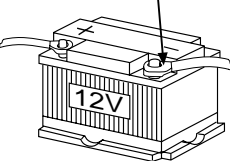
- Para evitar a destruição do seu rádio, deverá apenas ligar a ficha ISO de 8 pólos do automóvel através de um respectivo cabo de adaptação Blaupunkt.

Observe por favor as seguintes indicações de segurança durante a montagem e a ligação

- Separar por pressão o pólo negativo da bateria.
- Observar as indicações de segurança do fabricante do automóvel.
- Ao furar orifícios, deverá observar que não sejam danificadas partes do automóvel.
- O diâmetro do cabo positivo e negativo não deve ser inferior a 1,5 mm².

Supplied Mounting Hardware - Materiel de montage fourni - Componenti di fissaggio comprese nella fornitura - Elementos de fixação fornecidos.



<p>1.</p> 	<p>3.</p> 	
<p>2.</p> 	<p>4.</p> 	<p>6.</p> 
	<p>5.</p>  <p>Fig. 4</p>	<p>7.</p> 
		<p>8.</p> 

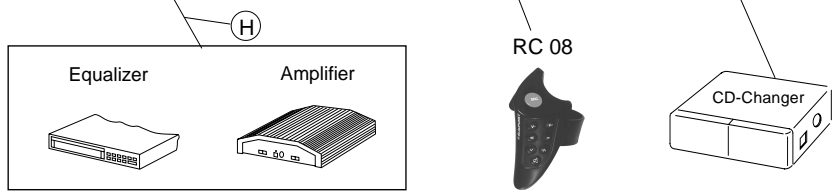
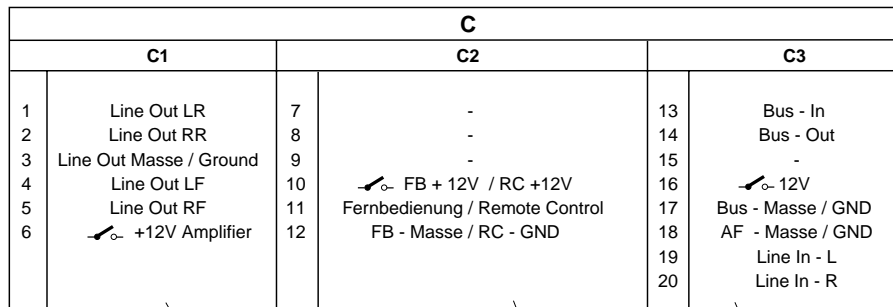
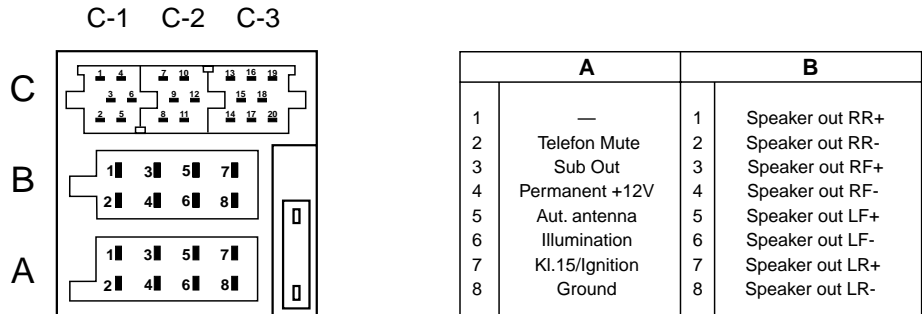
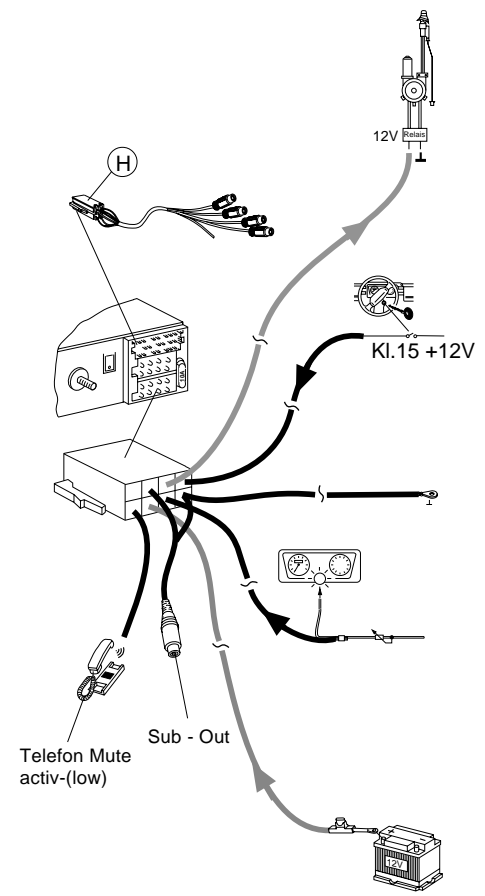


Fig.10



Free Manuals Download Website

<http://myh66.com>

<http://usermanuals.us>

<http://www.somanuals.com>

<http://www.4manuals.cc>

<http://www.manual-lib.com>

<http://www.404manual.com>

<http://www.luxmanual.com>

<http://aubethermostatmanual.com>

Golf course search by state

<http://golfingnear.com>

Email search by domain

<http://emailbydomain.com>

Auto manuals search

<http://auto.somanuals.com>

TV manuals search

<http://tv.somanuals.com>