

06501121

**Char-Broil**  
KEEPERS OF THE FLAME

Stainless Steel Rail  
**Outdoor Firebowl**



**For Outdoor  
Use Only**

**WARNING**

Do not use this unit on or near combustible surfaces or structures such as wood decks, dry leaves or grass, vinyl or wood siding, etc. SEE OWNER'S MANUAL FOR IMPORTANT SAFETY INFORMATION.

**WARNING**

**NEVER LEAVE FIRE UNATTENDED!**

Do not allow small children near flame. Hot embers can fly out in breezy conditions. Adequate fire extinguishing material should be readily available.

**WARNING**

**CARBON MONOXIDE HAZARD**

Burning charcoal inside can kill you. It gives off carbon monoxide, which has no odor. NEVER burn charcoal inside homes, vehicles or tents.

**CAUTION**

**THIS UNIT IS HEAVY!**  
**DO NOT assemble without a helper.**

**CAUTION**

Some parts may contain sharp edges – especially as noted in manual. Wear protective gloves if necessary.

**CAUTION**

Read and follow all safety statements, warnings, assembly instructions and use & care directions before attempting to assemble.

42804157 (06-02-06)

**STOP!**

**Missing a part?**

**No need to go back to the store!**

The store where you made your purchase does not stock parts for this item. If you need parts, whether they are missing or damaged, call the Customer Service toll free Help Line.

Call us and we will gladly ship  
the part you need

**Call Our Help Line**

**1-800-232-3398**



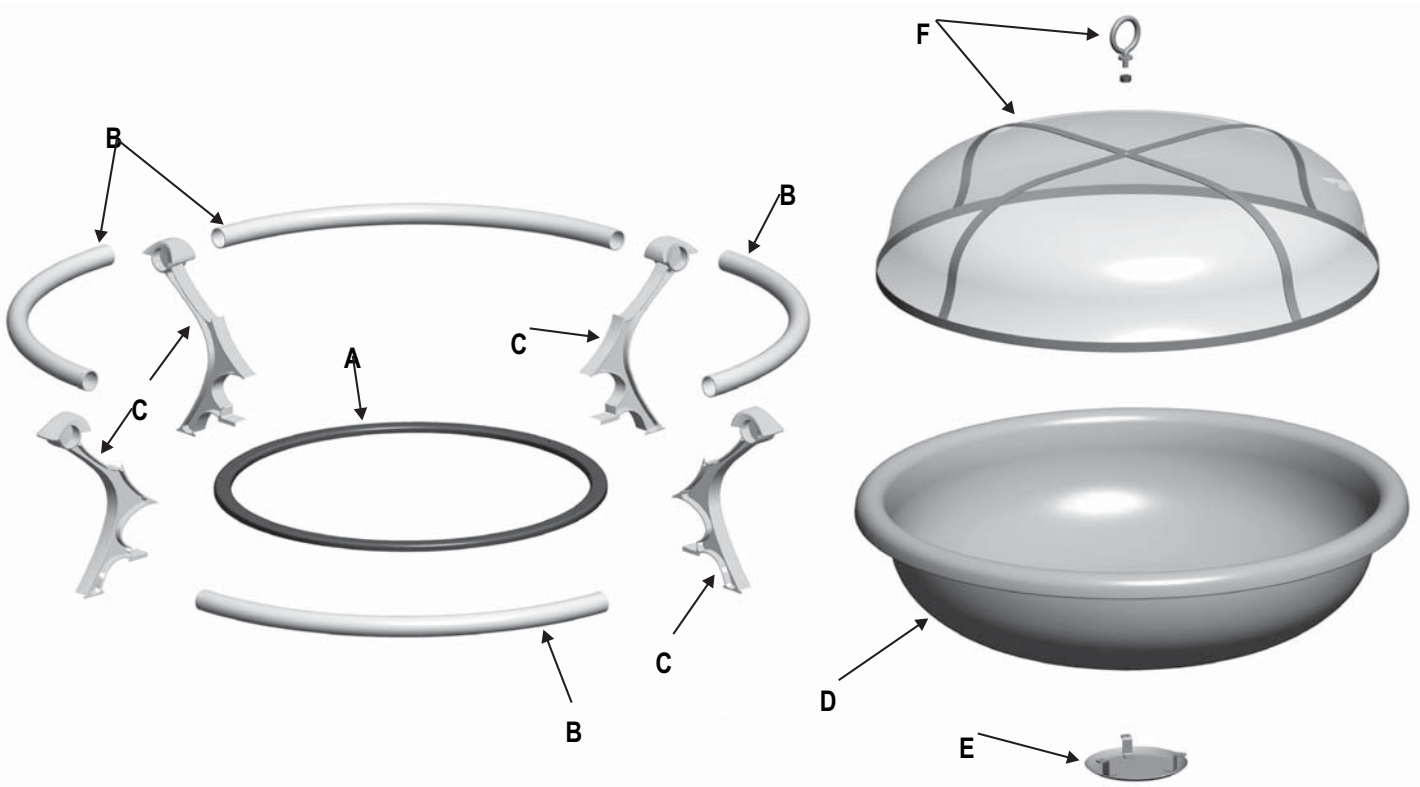
To insure your satisfaction  
and for follow-up service,  
register your product  
online at:

**[www.grillregistration.com](http://www.grillregistration.com)**

## Parts List and Diagram

Key	Qty	Description	Part #
A	1	Lower Support Ring Kit	55700645
B	1	Upper Ring Kit	55710150
C	4	Leg Kit	55710148
D	1	Firebowl Kit	29100524

Key	Qty	Description	Part #
E	1	Ash Catcher Kit	55700649
F	1	Firescreen Kit	55700650
	1	Hardware Bag	42000125
	1	Assembly Instructions	42804157



## HARDWARE

Hardware is shown actual size. You may have spare hardware after assembly is complete.



Lifting bolt  
Qty: 1



#10-24x1"  
hex-head machine screw  
Qty: 4



#10-24x5/8"  
self-tap screw  
Qty: 4



#10-24x3/8"  
machine screw  
Qty: 3



1/4-20  
hex-keps nut  
Qty: 1

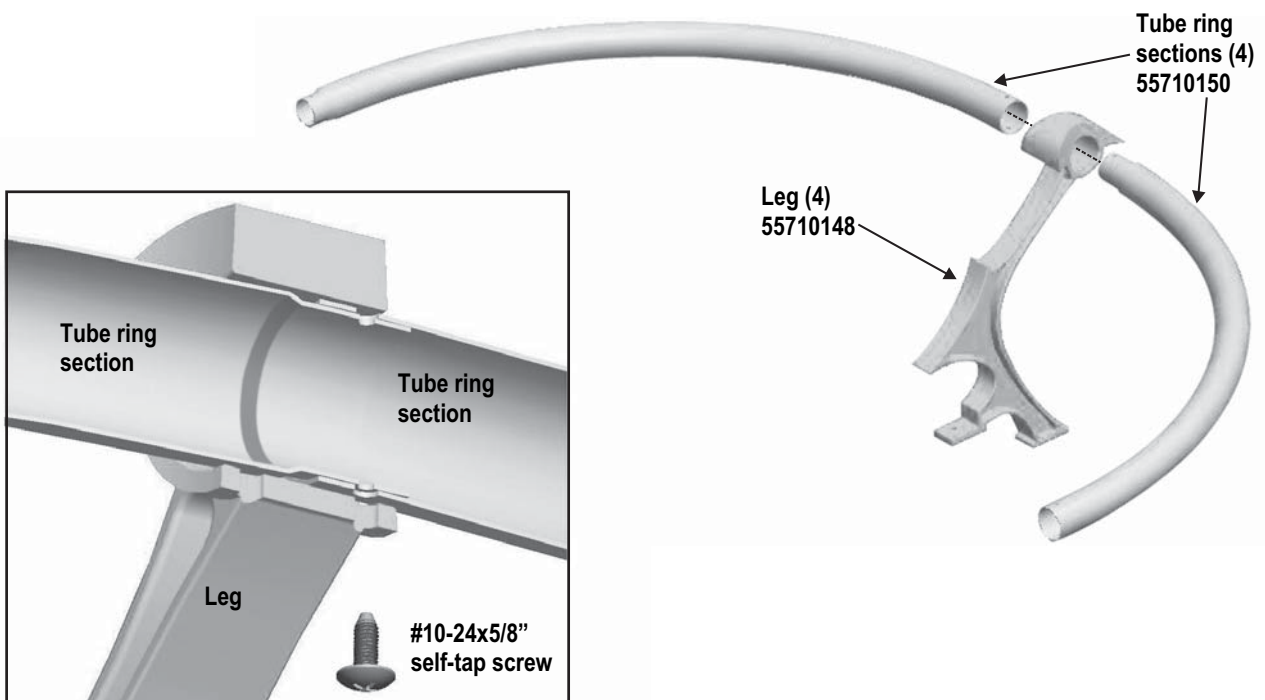


#10-24  
hex-keps nut  
Qty: 3

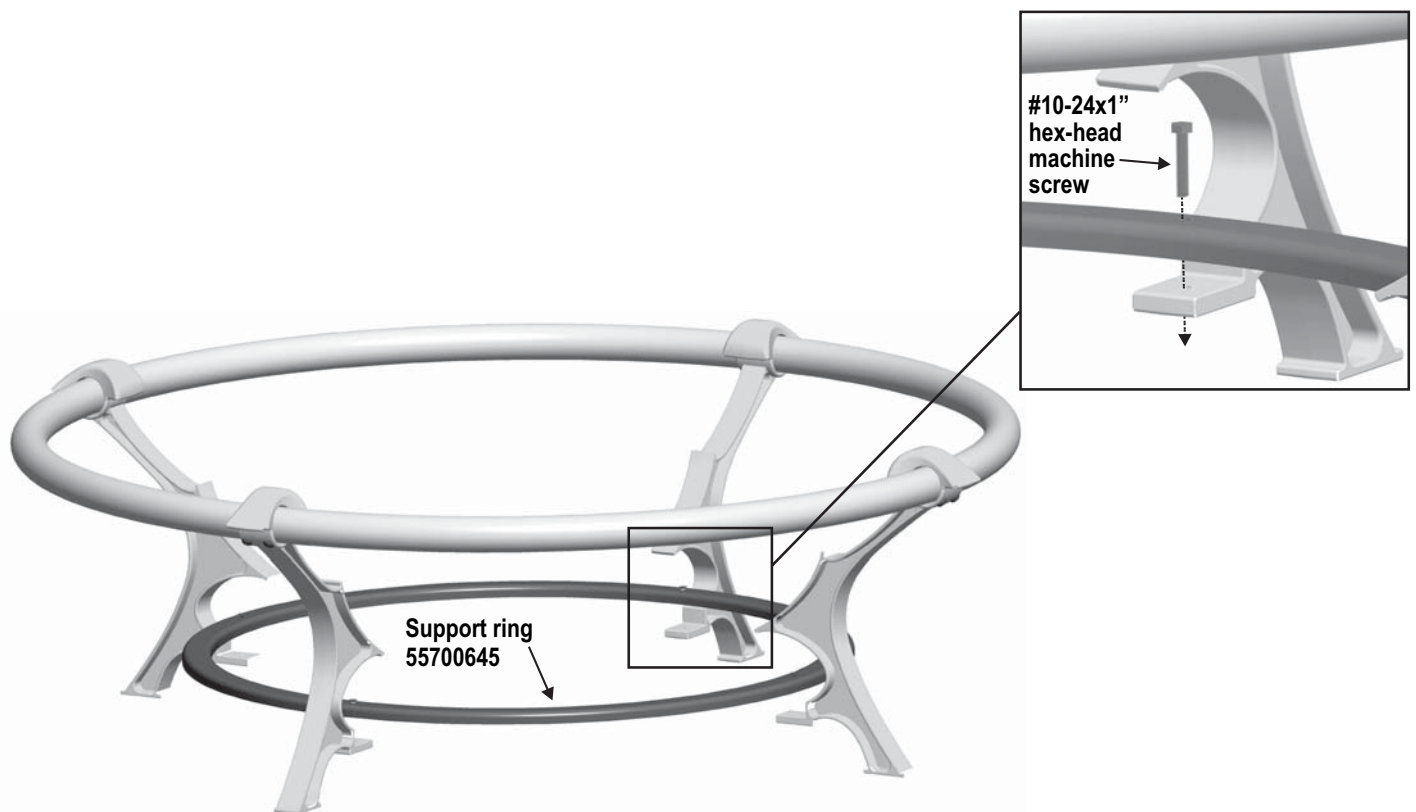
Tools needed for assembly: adjustable wrench (not provided), Phillips screwdriver (not provided).

Estimated assembly time: 20 minutes

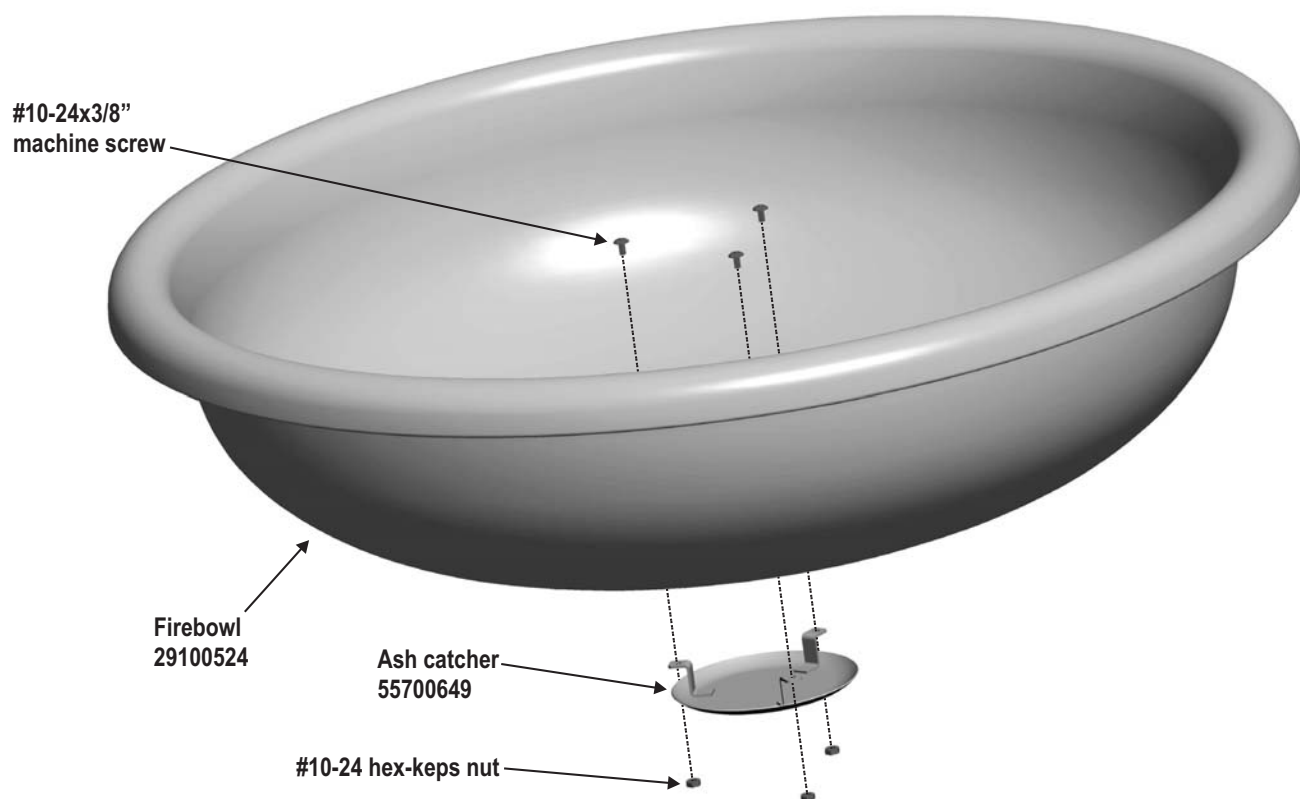
- 1** Insert tube ring section into socket at top of leg and align screw holes. Secure using one **#10-24x5/8"** self-tap screws. Repeat on opposite side of leg and continue with remaining tube ring sections and legs until a circle is formed.



- 2** Place support ring onto lower portion of legs and attach using four **#10-24x1"** hex-head machine screws.



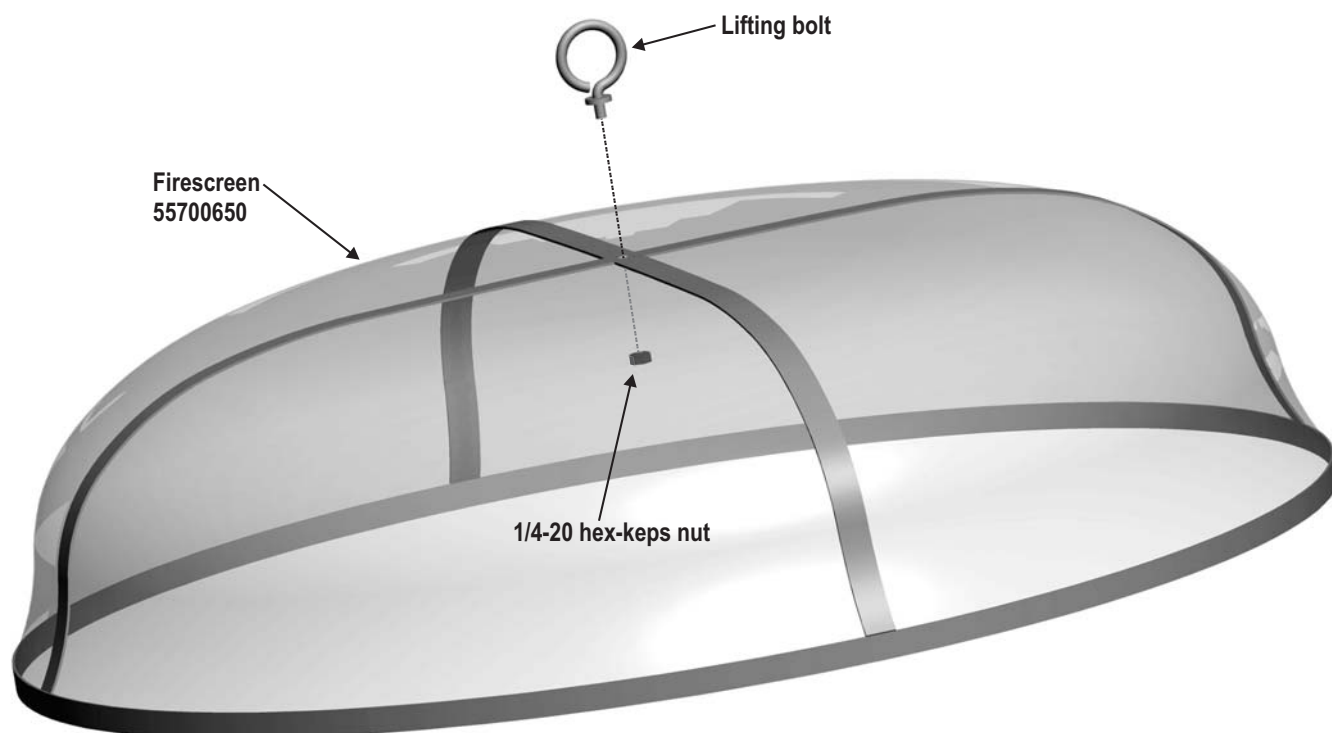
- 3** Attach ash catcher to bottom of firebowl using three #10-24x3/8" machine screws and three #10-24 hex-keps nuts.



- 4** Place firebowl into stand.



**5** Insert lifting bolt into firescreen and secure with 1/4-20 hex-keps nut.



**6** Place firescreen onto firebowl.



## Outdoor Fireplace Use & Care

It is recommended that fire ash be removed from your fireplace between each use. Ash from fires that is not removed can restrict air flow to the fire and promote rusting. **NEVER REMOVE HOT OR WARM ASH. MAKE CERTAIN THAT THE FIREPLACE IS COOL BEFORE REMOVING ASH.**

It is recommended that your fireplace be covered between each use. **NEVER COVER A HOT OR WARM FIREPLACE. MAKE CERTAIN THAT THE FIREPLACE IS COOL BEFORE COVERING.**

This fireplace is not intended to be used as a primary heat source. **DO NOT OVERFILL.**



### Copper, Stainless Steel and other Metallic Surfaces

Copper, Stainless Steel and other metallic surfaces often found on outdoor fireplaces can patina, change color and blacken with exposure to outdoor conditions, heat and smoke. This is a natural occurrence that will result in a finish that is unique to your fireplace. If desired, these effects can be reduced by cleaning the surfaces regularly after each use using soap, water and an appropriate metal polish.

### Painted Steel and Cast Iron Surfaces

Comparable to the patina effect of copper and bronze, a natural protective rust coating can form on painted steel and cast iron outdoor fireplaces to create an antiqued finish. Outdoor fireplaces that feature a porcelain finish can develop rust on the screens over time. If desired, high-temperature paint can be used to restore the original finish.

If you notice any of these surface conditions before the outdoor fireplace is used, contact the Service Center for a free replacement of the defective component. Manufacturing defects are covered under the 90 Day Limited Warranty.

	<b>WARNING</b>	
<b>CALIFORNIA PROPOSITION 65</b> Combustion by-products produced when using this product contain chemicals known to the State of California to cause cancer, birth defects, and other reproductive harm.		

	<b>CAUTION</b>	
<b>Metal surfaces can become very hot during use.</b> <b>Use protective equipment when handling during use.</b>		



## LIMITED WARRANTY

Manufacturer warrants to the original consumer-purchaser only that this product shall be free from defects in workmanship and materials after correct assembly and under normal and reasonable home use for the periods indicated below beginning with the date of purchase. Upon proof of purchase as provided herein, Manufacturer will repair or replace the parts listed below which are proven defective during the applicable warranty period. Such repair or replacement shall be free of charge to you except for shipping costs.

### ALL COMPONENTS – 90 DAYS

This limited warranty is applicable in the United States and Canada only, is only available to the original owner of the product and is not transferable. Manufacturer requires reasonable proof of your date of purchase. Therefore, you should retain your sales slip or invoice and register your new product immediately. Defective parts subject to this limited warranty will not be replaced without registration or proof of purchase. Register online at [HYPERLINK http://www.grillregistration.com](http://www.grillregistration.com) or complete and return via mail the Product Registration Card included with this product and retain your sales receipt for proof of purchase. If registration information is not available, the proof of purchase will be required.

Repair or replacement of defective parts is your exclusive remedy under the terms of this limited warranty. Manufacturer will not be responsible for any consequential or incidental damages arising from the breach of either this limited warranty or any applicable implied warranty, or for failure or damage resulting from acts of God, improper care and maintenance, grease fire, accident, alteration, replacement of parts by anyone other than Manufacturer, misuse, transportation, commercial use, abuse, hostile environments (inclement weather, acts of nature, animal tampering), improper installation or installation not in accordance with local codes. This limited warranty does not cover scratches, dents, corrosions or discoloring by heat, abrasive and chemical cleaners or any tools used in the assembly or installation of the appliance, surface rust, or the discoloration of stainless steel surfaces. This limited warranty will not reimburse you for the cost of any inconvenience, food reimbursement, personal injury or property damage. You will be responsible for all shipping charges of parts replaced under the terms of this limited warranty.

THIS LIMITED WARRANTY IS THE SOLE EXPRESS WARRANTY GIVEN BY THE MANUFACTURER. NO PRODUCT PERFORMANCE SPECIFICATION OR DESCRIPTION WHEREVER APPEARING IS WARRANTED BY MANUFACTURER EXCEPT TO THE EXTENT SET FORTH IN THIS LIMITED WARRANTY. ANY IMPLIED WARRANTY PROTECTION ARISING UNDER THE LAWS OF ANY STATE, INCLUDING IMPLIED WARRANTY OF MERCHANTABILITY OR FITNESS FOR A PARTICULAR PURPOSE OR USE, IS HEREBY LIMITED IN DURATION TO THE DURATION OF THIS LIMITED WARRANTY.

Neither dealers nor the retail establishment selling this product has any authority to make any additional warranties or to promise remedies in addition to or inconsistent with those stated above. Manufacturer's maximum liability, in any event, shall not exceed the purchase price of the product paid by the original consumer. This warranty only applies to units purchased from an authorized retailer.

NOTE: Some states do not allow an exclusion or limitation of incidental or consequential damages, so some of the above limitations or exclusions may not apply to you. This limited warranty gives you specific legal rights as set forth herein. You may also have other rights which vary from state to state. In the state of California only, if refinishing or replacement of the product is not commercially practicable, the retailer selling this product or the Manufacturer will refund the purchase price paid for the product, less the amount directly attributable to use by the original consumer-purchaser prior to discovery of the nonconformity. In addition, in the state of California only, you may take the product to the retail establishment selling this product in order to obtain performance under this limited warranty.

If you wish to obtain performance of any obligation under this limited warranty, you should write to:

**Consumer Warranty Service / P. O. Box 1240  
Columbus, GA 31902-1240**



## CARE AND CLEANING OF STAINLESS STEEL

Extreme temperatures from charcoal or wood fires will cause discoloration of stainless steel surfaces. Routine cleaning is necessary to preserve the appearance and corrosion resistance of Stainless Steel. The methods below are suggestions for cleaning stainless steel surfaces. Choose a cleaning method appropriate to the requirement. If you choose to use scouring powder or solvents, consult with the solvent manufacturer or supplier before use.

Before cleaning, first test any cleaning product in an inconspicuous location and consider the possibility of scratching and the potential for corrosion caused by not completely removing cleaners. Never use brushes or steel wool as they will scratch and leave particles embedded on stainless steel surfaces, which can lead to rusting. Always rub or wipe in the direction of the polish lines in the stainless steel surface, not across them. Thorough rinsing with clean water is recommended after all cleaning procedures. Dry all surfaces completely after rinsing. Be careful not to let any stainless steel cleaner come in contact with painted or plastic components as damage may occur.

### Routine Care

The Char-Broil® Stainless Steel Grill Cleaner and the Thermos® Stainless Steel Grill Cleaner are good choices for routine cleaning of stainless steel surfaces. Mild stains and loose dirt and soil can also be removed with a soft cloth and clean warm water. Rinse with clean water and wipe dry.

### Stubborn Stains

Stubborn stains, discoloration and possibly rust and rust pitting can occur from cooking, exposure to harsh outdoor conditions, or extreme cooking temperatures. There are many cleaning agents commercially available formulated to restore the finish of stainless steel. Obtain advice from the solvent manufacturer or supplier when choosing the appropriate cleaner for your requirement. These cleaners can be acidic. Care should be taken to avoid contact with eyes or mouth. Be careful not let any powder or solvent come in contact with painted or plastic components as damage may occur.

The chart below has been reproduced with permission from the Specialty Steel Institute of North America. For additional details regarding the care and cleaning of stainless steel, visit their website at [www.ssina.com](http://www.ssina.com) for more information. For the latest new products for the care and cleaning of stainless steel go to [www.charbroil.com](http://www.charbroil.com).

Job	Cleaning Agents*	Comments
Routine Cleaning	Warm Water, Soap, Ammonia, Detergent	Apply with sponge or soft cloth. Can be used on all finishes.
Fingerprints and Smears	3M Stainless Steel Cleaner and Polish, Arcal 20, Lac-O-Nu, Lumin Wash, O'Cedar Cream Polish, Stainless Shine	Provides barrier film to minimize fingerprints. Can be used on all finishes.
Stubborn Stains and Discoloration	3M Stainless Steel Cleaner and Polish, All chem Concentrated Cleaner, Samae, Twinkle, Cameo Copper Cleaner, Grade FFF or Grade F Italian Pumice, Whiting or Talc, Liquid Nu Steel, Copper's or Revere Stainless Steel Cleaner, Household Cleaners, Lumin Cleaner, Zud Restoro, Sta-Clean, Highlite, Allen Polish, Penny-Brite, Copper-Brite	Rub lightly, using dry damp cloth, in the direction of polish lines on the stainless steel.
Grease and Blood Burnt-on or Baked-on Foods	Scotch-Brite Power Pad 2001, Easy-Off, De-Grease-It, 4% to 6% hot solution of such agents as tri-sodium polyphosphate, 5% to 15% caustic soda solution	Excellent removal on acids, all finishes. Particularly useful where rubbing is not practical.
Grease and Oil	Any good commercial detergent or caustic cleanser.	Apply with sponge or soft cloth in direction of polish lines.

\*NOTE: Use of proprietary names is intended only to indicate a type of cleaner and does not constitute an endorsement. Omission of any proprietary cleanser does not imply its inadequacy. All products should be used in strict accordance with instructions on package.



# Please register your product online at:

# WWW.GRILLREGISTRATION.COM

(If you register online, you do not need to send in this registration card.)

PLEASE FILL OUT THIS CARD AND RETURN IT *WITHIN 10 DAYS OF PURCHASE. FAILURE TO RETURN MAY AFFECT YOUR WARRANTY COVERAGE.*  
LLENE ESTA TARJETA Y DEVUÉLVALA DENTRO DE LOS 10 DÍAS DE LA COMPRA. *SI NO LA DEVUELVE, PUEDE VERSE AFECTADA SU COBERTURA DE GARANTÍA.*  
VEUILLEZ COMPLÉTER CETTE CARTE ET LA RETOURNER DANS LES 10 JOURS SUIVANT L'ACHAT.  
LA COUVERTURE DE VOTRE GARANTIE POURRAIT EN ÊTRE AFFECTÉE SI VOUS NE LE FAITES PAS.

**1** First Name/Nombre/Prénom \_\_\_\_\_ Initial/Inicial/Initiale \_\_\_\_\_ Last Name/Apellido/Nom de famille \_\_\_\_\_  
Address (number and street)/Dirección (número y calle)/Adresse (numéro et rue) \_\_\_\_\_ Apt Number/Nº de apart./Nº d'appt. \_\_\_\_\_  
City/Ciudad/Ville \_\_\_\_\_ State/Estado/Province \_\_\_\_\_ Zip Code/Código zip/Code postal \_\_\_\_\_

**2** E-mail Address/Dirección de correo electrónico/Adresse électronique  
*If you voluntarily provide us with your email address, you give us permission to use your email address to send you offers that may interest you.*  
*Si nos informa voluntariamente su dirección de correo electrónico, nos da permiso para usarlo a fin de enviarle ofertas que pueden interesarle.*  
*Si vous choisissez de nous fournir votre adresse électronique, vous nous donnez la permission de l'utiliser pour vous faire part d'offres spéciales susceptibles de vous intéresser.*

\_\_\_\_\_  
(Example: your name@your host.com) (Ejemplo: su nombre@su host.com) (Exemple : votre nom@votre hôte.com)

**3** Phone Number/Número telefónico/Numéro de téléphone \_\_\_\_\_

**6** Date of Purchase/Fecha de compra/Date de l'achat \_\_\_\_\_

**4** **IMPORTANT!/¡IMPORTANTE!/IMPORTANT!**  
*Write Serial Number and Model Number in spaces below.*  
*Escriba en los espacios de abajo el número de serie y el número de modelo.*  
*Inscrivez le numéro de série et le numéro de modèle dans les espaces ci-dessous.*

**7** Store Name/Nombre de la tienda/Nom du magasin \_\_\_\_\_

**8** Purchase Price/Precio de compra/Prix d'achat  
\$ \_\_\_\_\_ .00

**5** Your Gender/Su sexo/Sexe:

1.  Male/Masculino/Masculin

2.  Female/Femenino/Féminin

**9** Which product are your registering?  
¿Qué producto está registrando?  
Quel produit enregistrez-vous?

- 1.  Gas Grill/Parrilla de gas/  
Gril au gaz
- 2.  Electric Grill/Parrilla eléctrica/  
Gril électrique
- 3.  Smoker/Ahumadora/Fumoir
- 4.  Charcoal Grill/Parrilla de carbón/  
Barbecue au charbon
- 5.  Charcoal Smoker/Ahumadora de  
carbón/Fumoir au charbon
- 6.  Outdoor Fireplace/Hogar para  
exteriores/Foyer extérieur
- 7.  Cooker/Fryer / Cocina/freidora /  
Cuiseur/Friteuse
- 8.  Other/Otro/Autre

**10** Which of these sources influenced your decision to buy this product? (check all that apply)  
¿Cuál de estas fuentes influyó a su decisión de comprar este producto? (Marque todas las que correspondan)

**Parmi les éléments ci-dessous, qu'est-ce qui a influencé votre décision d'acheter ce produit? (Cochez tous les éléments s'appliquant)**

- 1.  Magazine/newspaper advertisement / Propaganda en revista/periódico /  
Publicité dans un magazine ou dans un journal
- 2.  Television commercial/Comercial televisivo/Publicité à la télévision
- 3.  Grill was assembled/Parrilla ensamblada/Le gril était déjà assemblé
- 4.  In-store display/Exhibidor en la tienda/Promotion sur le lieu de vente
- 5.  Store circular/Circular de la tienda/Prospectus de magasin
- 6.  Brand name/Marca/Marque
- 7.  Product style/Estilo del producto/Style du produit
- 8.  Price/value / Precio/valor / Rapport prix/valeur
- 9.  Product quality/Calidad del producto/Qualité du produit
- 10.  Friend/Relative recommendation / Recomendación de amigo o pariente /  
Recommandation d'un(e) ami(e)/parent(e)
- 11.  Salesperson recommendation/Recomendación del vendedor/  
Recommandation d'un(e) préposé(e) à la vente
- 12.  Grill size/Tamaño de la parrilla/Taille du gril
- 13.  Product warranty/Garantía del producto/Garantie du produit
- 14.  Store demonstration/Demostración en la tienda/Démonstration en magasin
- 15.  Point of purchase/Punto de compra/Lieu de vente
- 16.  Other/Otras/Autre: \_\_\_\_\_

Mail to:

Product Registration Dept.  
PO BOX 1240  
Columbus, Georgia 31902-1240

Thank you for completing this questionnaire. Your answers will help us and other companies reach you with offers that may interest you. If you prefer not to receive these offers, please check here .

Gracias por completar este cuestionario. Sus respuestas nos ayudarán, a nosotros y a otras compañías, a llegar a ustedes con ofertas que puedan resultarles de interés. Si prefiere no recibir estas ofertas, por favor marque aquí .

Merci d'avoir bien voulu remplir ce questionnaire. Vos réponses nous aideront et aideront d'autres compagnies à vous communiquer des offres spéciales susceptibles de vous intéresser. Si vous préférez ne pas recevoir d'informations concernant ces offres spéciales, veuillez cocher ici .



## Free Manuals Download Website

<http://myh66.com>

<http://usermanuals.us>

<http://www.somanuals.com>

<http://www.4manuals.cc>

<http://www.manual-lib.com>

<http://www.404manual.com>

<http://www.luxmanual.com>

<http://aubethermostatmanual.com>

Golf course search by state

<http://golfingnear.com>

Email search by domain

<http://emailbydomain.com>

Auto manuals search

<http://auto.somanuals.com>

TV manuals search

<http://tv.somanuals.com>