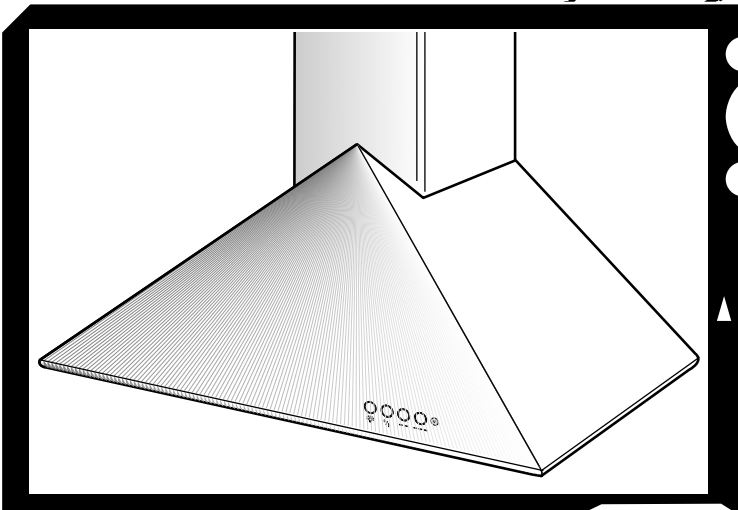


# best<sup>®</sup>

## BY BROAN

---



# Model K29

ENGLISH .....	2
FRANÇAIS. ....	16
ESPAÑOL.....	30

BEST BY BROAN P.O. Box 140 Hartford, WI 53027

Download from [Www.Somanuals.com](http://www.Somanuals.com). All Manuals Search And Download.

# READ AND SAVE THESE INSTRUCTIONS

 **INTENDED FOR DOMESTIC COOKING ONLY.** 

## **WARNING**

TO REDUCE THE RISK OF FIRE, ELECTRICAL SHOCK, OR INJURY TO PERSONS, OBSERVE THE FOLLOWING:

1. Use this unit only in the manner intended by the manufacturer. If you have questions, contact the manufacturer at the address or telephone number listed in the warranty.
2. Before servicing or cleaning unit, switch power off at service panel and lock service panel to prevent power from being switched on accidentally. When the service disconnecting means cannot be locked, securely fasten a prominent warning device, such as a tag, to the service panel.
3. Installation work and electrical wiring must be done by a qualified person(s) in accordance with all applicable codes and standards, including fire-rated construction codes and standards.
4. Sufficient air is needed for proper combustion and exhausting of gases through the flue (chimney) of fuel burning equipment to prevent backdrafting. Follow the heating equipment manufacturer's guidelines and safety standards such as those published by the National Fire Protection Association (NFPA), and the American Society for Heating, Refrigeration and Air Conditioning Engineers (ASHRAE), and the local code authorities.
5. When cutting or drilling into wall or ceiling, do not damage electrical wiring and other hidden utilities.
6. Ducted fans must always be vented to the outdoors.
7. Do not use this unit with any solid-state speed control device.
8. To reduce the risk of fire, use only metal ductwork.
9. This unit must be grounded.

TO REDUCE THE RISK OF A RANGE TOP GREASE FIRE:

- A. Never leave surface units unattended at high settings. Boilovers cause smoking and greasy spillovers that may ignite. Heat oils slowly on low or medium settings.
- B. Always turn hood ON when cooking at high heat or when cooking flaming foods.
- C. Clean ventilating fans frequently. Grease should not be allowed to accumulate on fan or filter.
- D. Use proper pan size. Always use cookware appropriate for the size of the surface element.

## **WARNING**

TO REDUCE THE RISK OF INJURY TO PERSONS IN THE EVENT OF A RANGE TOP GREASE FIRE, OBSERVE THE FOLLOWING:\*

1. **SMOTHER FLAMES** with a close-fitting lid, cookie sheet, or metal tray, then turn off the burner. **BE CAREFUL TO PREVENT BURNS.** If the flames do not go out immediately, **EVACUATE AND CALL THE FIRE DEPARTMENT.**
2. **NEVER PICK UP A FLAMING PAN** - You may be burned.
3. **DO NOT USE WATER**, including wet dishcloths or towels - violent steam explosion will result.
4. Use an extinguisher **ONLY** if:
  - A. You know you have a Class ABC extinguisher and you already know how to operate it.
  - B. The fire is small and contained in the area where it started.
  - C. The fire department is being called.
  - D. You can fight the fire with your back to an exit.

\* Based on "Kitchen Fire Safety Tips" published by NFPA.

## CAUTION

---

1. To reduce risk of fire and to properly exhaust air, be sure to duct air outside. Do not vent exhaust air into spaces within walls or ceilings or into attics, crawl spaces, or garages.
2. Take care when using cleaning agents or detergents.
3. Avoid using food products that produce flames under the Range Hood.
4. For general ventilating use only. Do not use to exhaust hazardous or explosive materials and vapors.
5. To avoid motor bearing damage and noisy and/or unbalanced impellers, keep drywall spray, construction dust, etc. off power unit.
6. Your hood motor has a thermal overload which will automatically shut off the motor if it becomes overheated. The motor will restart when it cools down. If the motor continues to shut off and restart, have the hood serviced.
7. For best capture of cooking impurities, the bottom of the hood should be a minimum of 24" and a maximum of 30" above the cooking surface. See "Install Mounting Bracket" section for mounting instructions.
8. Two installers are recommended because of the large size and weight of this hood.
9. This product is equipped with a thermostat which may start blower automatically. To reduce the risk of injury and to prevent power from being switched on accidentally, switch power off at service panel and lock or tag service panel.
10. Use with approved cord-connection kit only.
11. Please read specification label on product for further information and requirements.

## OPERATION

### Controls

The hood is operated using the (4) push-buttons located at eye-level, on the front edge of the hood.

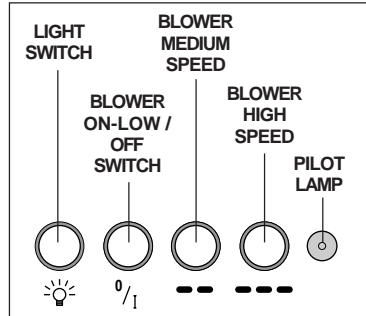
The **light switch** turns the halogen lights on and off.

The **blower on-low / off switch** turns the blower on to its lowest running speed. The blower must be turned on using this switch. Turn the blower off by pressing this switch a second time.

The **blower medium speed switch** changes the blower speed to medium. This switch works only if the blower is already running at low or high speed.

The **blower high speed switch** changes the blower speed to high. This switch works only if the blower is already running at low or medium speed.

The **pilot lamp** lights up whenever the blower is on.



### Heat Sentry™

Your hood is equipped with a HEAT SENTRY™ thermostat. This thermostat is a device that will turn on or speed up the blower if it senses excessive heat above the cooking surface.

1) If blower is OFF - it turns blower ON to HIGH speed.

2) If blower is ON at a lower speed setting - it turns blower up to HIGH speed.

When the temperature level drops to normal, the blower will return to its original setting.

### WARNING

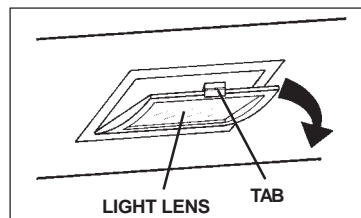
**The HEAT SENTRY thermostat can start the blower even if the hood is turned OFF. When this occurs, it is impossible to turn the blower OFF with its switch. If you must stop the blower, do it from the main electrical panel.**

## HALOGEN BULBS

This range hood requires two or four halogen bulbs (Type JC, 12V, 20W, G4 Base).

To change bulbs:

1. Open the light lens by grasping the tab on the lens and rotating lens downward.
2. Remove the bulb by pulling sideward (Do not rotate). CAUTION: BULB MAY BE HOT!
3. Do not touch replacement bulb with bare hands! Push bulb securely into lamp socket and snap lens closed.

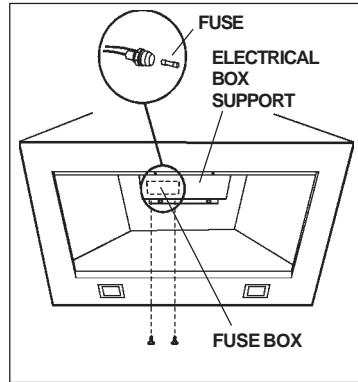


## FUSE REPLACEMENT

---

**IF THE LIGHTS FAIL TO OPERATE, DISCONNECT THE POWER AT THE SERVICE ENTRANCE. CHECK THE FUSE AND REPLACE IF NECESSARY.**

1. Remove the filters.
2. Remove the electrical box support.
3. Remove screws from the fuse box and open the cover.
4. Locate the fuse holder. Unscrew its cap and remove the fuse.
5. Replace the fuse with the same size and amperage (5 x 20mm, 4A, 125V).
6. Reinstall the fuse box cover, electrical box support, and filters.
7. Reconnect power at the service entrance.



## MAINTENANCE

---

### ***Grease Filters***

The **grease filters** should be cleaned frequently. Use a warm detergent solution to clean filters. Filters are dishwasher safe. See "INSTALL FILTER" section for installation and removal instructions.

### ***Ductfree Filters***

The **ductfree filter** should be changed every 6 months. See "INSTALL FILTER" section for installation and removal instructions.

### ***Hood Cleaning***

Stainless steel is one of the easiest materials to keep clean. Occasional care will help preserve its fine appearance.

Cleaning tips:

- Hot water with soap or detergent is all that is usually needed.
- Follow all cleaning by rinsing with clear water. Wipe dry with a clean, soft cloth to avoid water marks.
- For discolorations or deposits that persist, use a non-scratching household cleanser or stainless steel polishing powder with a little water and a soft cloth.
- For stubborn cases, use a plastic scouring pad or soft bristle brush together with cleanser and water. Rub lightly in direction of polishing lines or "grain" of the stainless finish. Avoid using too much pressure which may mar the surface.
- **DO NOT** allow deposits to remain for long periods of time.
- **DO NOT** use ordinary steel wool or steel brushes. Small bits of steel may adhere to the surface causing rust.
- **DO NOT** allow salt solutions, disinfectants, bleaches, or cleaning compounds to remain in contact with stainless steel for extended periods. Many of these compounds contain chemicals which may be harmful. Rinse with water after exposure and wipe dry with a clean cloth.

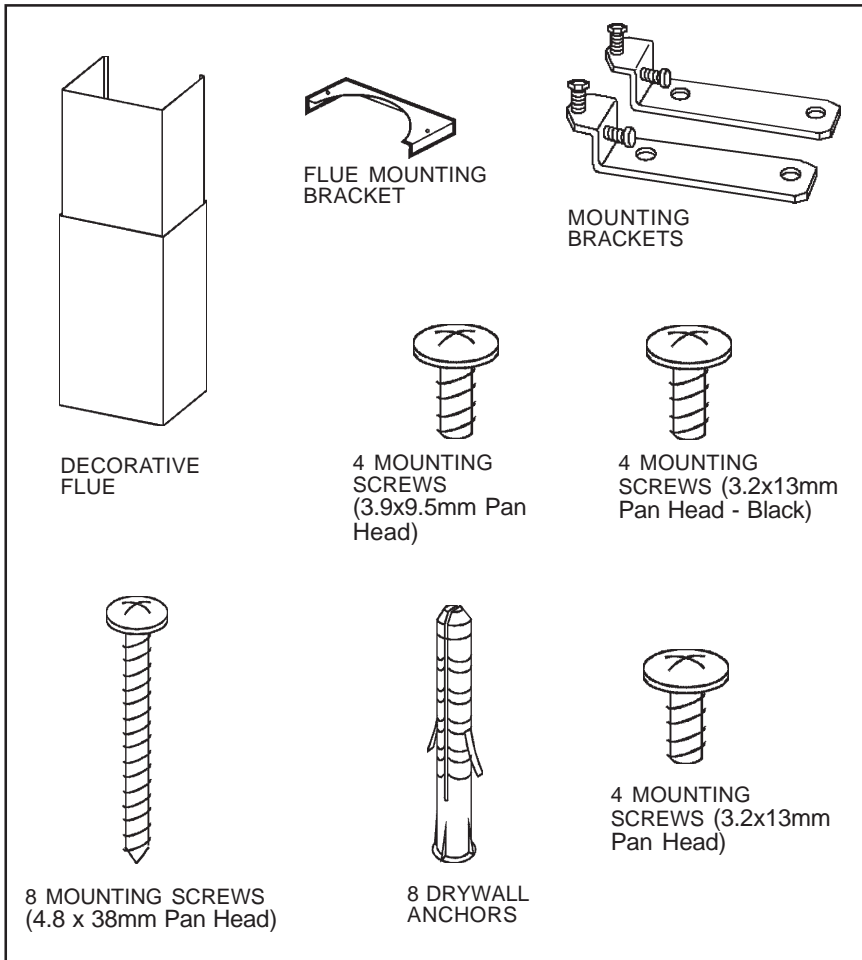
Painted surfaces should be cleaned with warm water and mild detergent only.

## PREPARE THE HOOD

Unpack hood and check contents.

You should receive:

- 1 - Hood
- 1 - Decorative Flue Assembly
- 1 - Parts Bag (B08081189) containing:
  - 1 - Flue Mounting Bracket
  - 2 - Mounting Brackets
  - 8 - Mounting Screws (4.8 x 38mm Pan Head)
  - 4 - Mounting Screws (3.9 x 9.5mm Pan Head)
  - 4 - Mounting Screws (3.2 x 13mm Pan Head)
  - 4 - Mounting Screws (3.2 x 13mm Pan Head - Black)
  - 8 - Drywall Anchors
- 1 - Installation Instructions
- 1 - Warranty Card



# INSTALL BACKSPLASH

## OPTIONAL

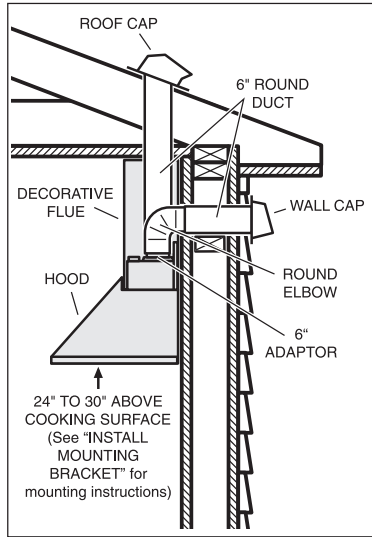
If optional Model BSK6 series backsplash is used, attach it to the finished wall. Secure hood mounting brackets to the backsplash and omit wall framing described below.

# INSTALL THE DUCTWORK

## DUCTED CONFIGURATION ONLY

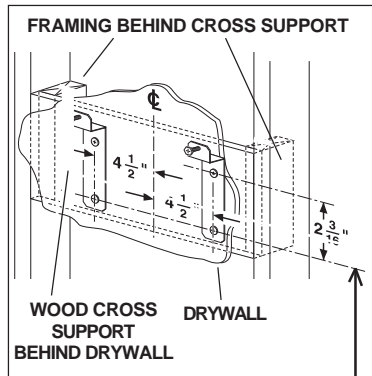
**NOTE:** To reduce the risk of fire, use only metal ductwork.

1. Decide where the ductwork will run between the hood and the outside.
2. A straight, short duct run will allow the hood to perform most efficiently.
3. Long duct runs, elbows, and transitions will reduce the performance of the hood. Use as few of them as possible.
4. Install a roof or wall cap. Connect 6" round metal ductwork to cap and work back towards hood location. Use duct tape to seal the joints between ductwork sections.



# INSTALL MOUNTING BRACKETS

1. Construct wood wall framing that is flush with interior surface of wall studs. Make sure:
  - a) the framing is centered over installation location.
  - b) the height of the framing will allow the mounting brackets to be secured to the framing within the dimensions shown.
2. After wall surface is finished, secure mounting brackets to framing using dimensions shown.

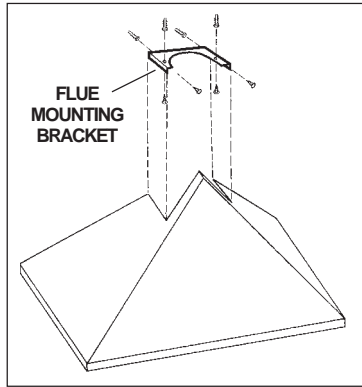


CEILING HEIGHT	DUCT METHOD	HOOD DISTANCE ABOVE 36" HIGH COOK TOP (SEE NOTE BELOW)							
		24"	25"	26"	27"	28"	29"	30"	31"
		MOUNTING BRACKET LOCATION ABOVE 36" HIGH COOK TOP							
8 FEET	DUCTED OR NON DUCTED	28-1/4"	29-1/4"	30-1/4"	31-1/4"	32-1/4"	33-1/4"	34-1/4"	
9 FEET	DUCTED OR NON DUCTED								35-1/4"
10 FEET	DUCTED WITH FEXTK23							34-1/4"	35-1/4"

Note: minimum hood distance above cook top must not be less than 24". A maximum of 31" above cook top is highly recommended for best capture of cooking impurities. Distances over 31" are at the installer and users discretion; and if ceiling height and flue length permit.

## INSTALL FLUE MOUNTING BRACKET

1. **Carefully** center the mounting bracket directly over the range hood location.
2. Secure the bracket assembly to the ceiling using (2) 4.8x38mm mounting screws and drywall anchors. Make sure the bracket is pushed into the corner, tight against the wall and centered over the hood.



## PREPARE THE HOOD

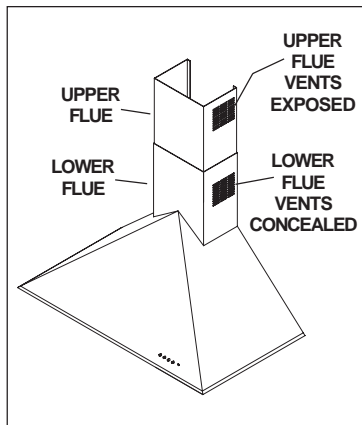
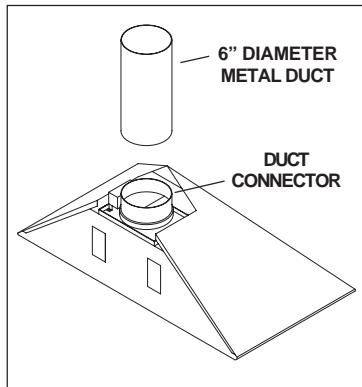
### *DUCTED CONFIGURATION ONLY*

**Note:** On stainless steel hoods, carefully remove the plastic protective film from all exterior surfaces of the hood and decorative flues, prior to final installation.

1. Attach an adequate length of 6" round metal duct to the range hood duct connector.
2. Duct tape all joints to make them secure and air tight.
3. Carefully place the lower decorative flue into the recessed area of the range hood top.
4. Carefully slide the upper decorative flue down inside the lower flue.

**Note:** On 8' ceilings the air vents on the upper flue are concealed by installing the flue with air vents down.

On 9' ceilings, air vents on the upper flue will be exposed after installation.





# PREPARE THE HOOD

## NON-DUCTED CONFIGURATION ONLY

**Note:** On stainless steel hoods, carefully remove the plastic protective film from all exterior surfaces of the hood and decorative flues, prior to final installation.

**Note:** The following material must be purchased separately for non-ducted recirculation installations.

- Non-Ducted Recirculation Plenum Part Number SB08089123
- 6" diameter expandable / flexible aluminum duct
- 1/16" diameter twist drill
- Recirculating filter model FILTERK3490CM (for 90 cm wide hoods) or FILTERK3448 (for 48" wide hoods).

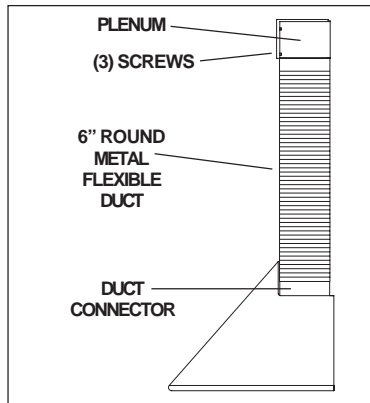
**Caution:** Use flexible metal duct. Do not use plastic or rigid metal ducting.

1. Determine length of the compressed flexible metal duct using the following formula:

$$39'' \text{ MINUS } \begin{array}{l} \text{Distance above} \\ \text{cook top.} \end{array} \text{ PLUS } \begin{array}{l} 12'' \text{ if ceiling height} \\ \text{is 9-feet} \end{array} = \begin{array}{l} \text{Compressed} \\ \text{length of} \\ \text{flexible} \\ \text{aluminium} \\ \text{ductwork} \end{array}$$

*Worksheet:* 39" - \_\_\_\_\_ + \_\_\_\_\_ (for 9' ceiling only) = \_\_\_\_\_

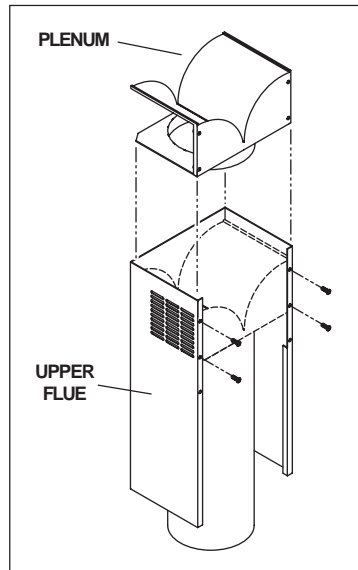
2. Remove and discard the damper flaps from inside the hood's duct connector.
3. Attach 6" round metal flexible duct to the hood's 6" duct connector. Tape all joints with duct tape.
4. Assemble the recirculation plenum to the flexible duct.
5. Drill three 1/16" diameter equally spaced holes through the duct and duct connector on the recirculation plenum.
6. Secure the duct to the plenum's connector with (3) sheet metal screws. Tape all joints with aluminum duct tape.



## **PREPARE THE HOOD (CONTINUED)**

### ***NON-DUCTED CONFIGURATION ONLY***

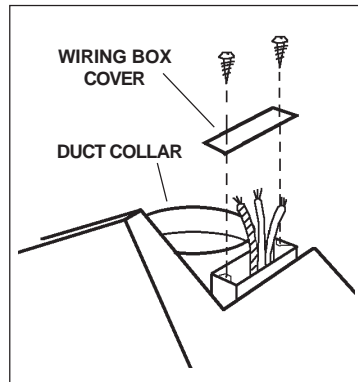
7. Carefully place the lower flue into the recessed area of the range hood.
8. Carefully slide the upper flue down inside the lower flue.
9. Secure the recirculation plenum to the upper flue with (4) flat head screws.



## **WIRING**

**Note: This range hood must be properly grounded. The unit should be installed by a qualified electrician in accordance with all applicable national and local electrical codes.**

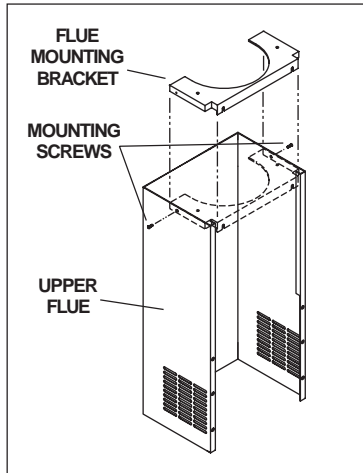
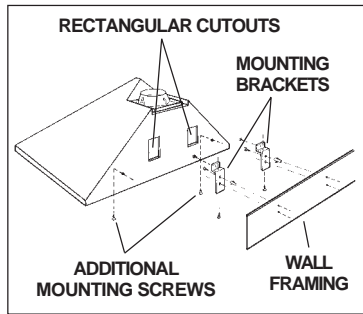
1. Remove the wiring box cover. Remove a knockout from the wiring box.
2. Feed 6" of power cable through the knockout opening and secure cable to the wiring box with an appropriate connector.
3. Make electrical connections. Connect white to white, black to black and green to green.
4. Replace wiring box cover and screws. Make sure that wires are not pinched between cover and box.



## INSTALL THE HOOD

Note: at least two people will be required to mount the hood.

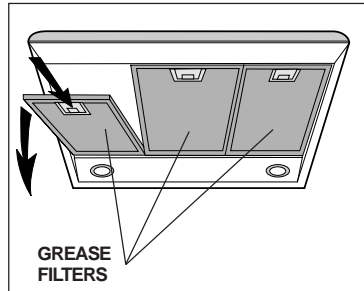
1. Raise the hood into its mounting position.
2. Align the rectangular openings on the back of the hood with the wall-mounting brackets. Gently lower the hood until it securely engages the bracket.
3. Level the hood and secure with (2) mounting screws. Use drywall anchors provided if wall studs or framing are not available.
4. Raise the upper flue until its holes align with holes in the flue mounting bracket (located on ceiling).
5. Secure the flue with (2) mounting screws.



## INSTALL FILTERS

### ***DUCTED CONFIGURATION ONLY***

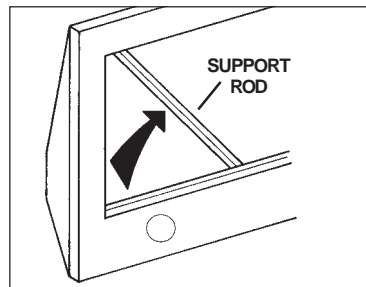
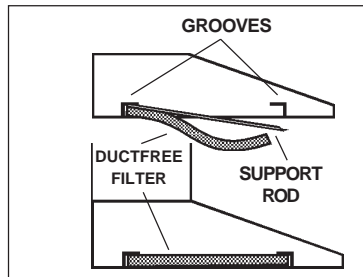
1. To remove the GREASE filter, grip the latch tab and pull it down. This will disengage the filter from the hood. Tilt the filter downward and remove.
2. To install the GREASE filter, align rear filter tabs with slots in the hood. Pull latch tab down, push filter into position and release. Make sure the filter is securely engaged after assembly.



## DUCTFREE FILTER INSTALLATION

### ***NON DUCTED CONFIGURATION ONLY***

1. Purchase a ductfree filter kit (model no. FILTERK3490CM or FILTERK3448) from your dealer.
2. Remove the grease filters by pushing them back to compress the retaining springs, then tilt filters down and out of front groove.
3. Holding the ductfree filter on its side, insert one of the support rods, (supplied with filters) into the upper groove in back that runs parallel with the front of the hood, in order to avoid that the filter might be sucked onto the motor.
4. Fold the filter and insert it into the front.



## SERVICE PARTS

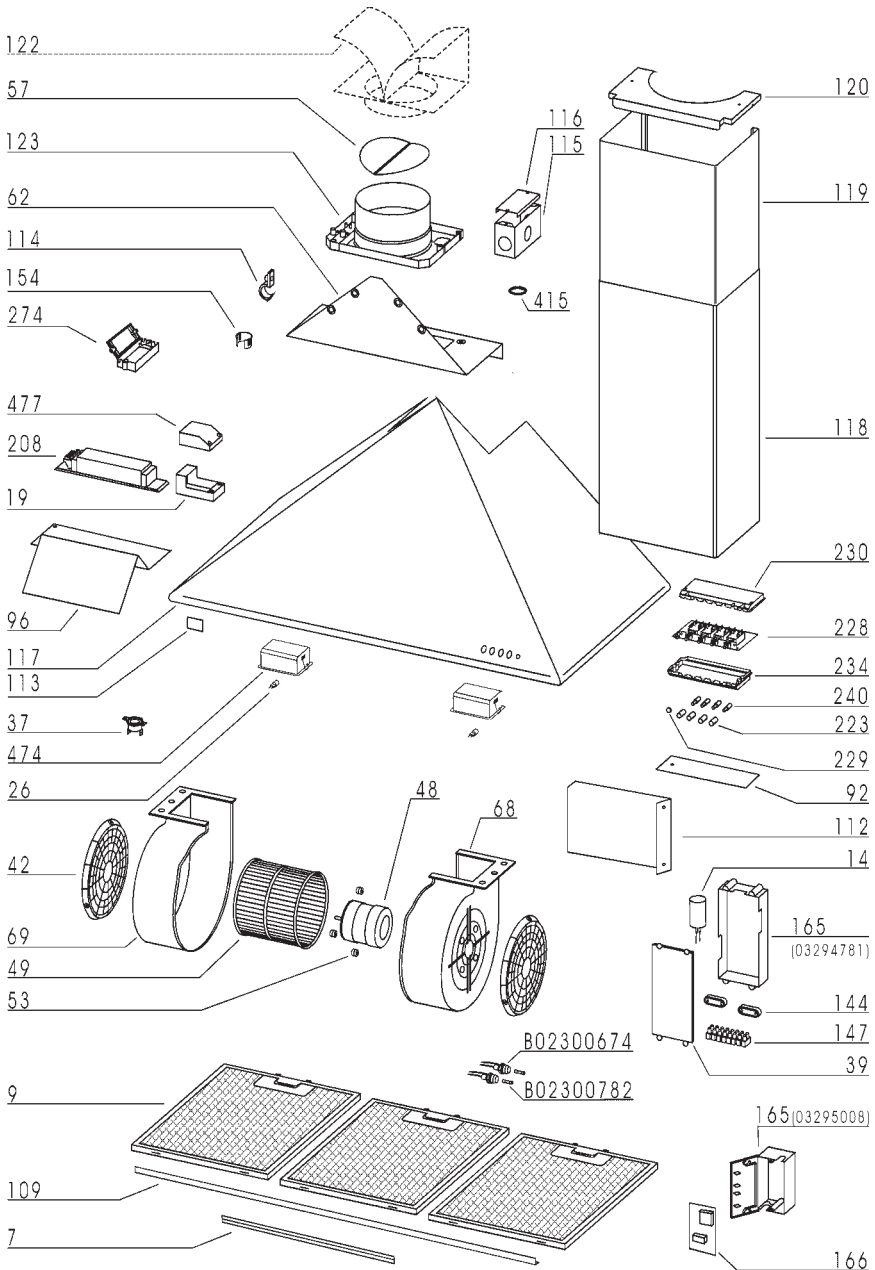
**MODEL K29** - Parts for stainless steel models shown. For service parts for black or white models, call Broan Customer Service.

KEY NO.	PART NO.	DESCRIPTION
9	B08087163	Grease Filter
14	B02300233	Motor Capacitor
19	B03295005	Terminal Box
26	B02300891	Halogen Lamp Bulb
37	B02300787	Heat Sentry
39	B03294033	Control Board Box Cover
48	B02310201	Motor
49	B03295071	Blower Wheel
53	B03202007	Rubber Washer
57	B02000756	Damper Flap
62	B08088597	Blower Mounting Cover
68	B02000295	Right Blower Housing
69	B02000296	Left Blower Housing
96	BE3245849	Ballast Support
109	BE3342578	Filter Channel - Front (48" models)
109	BE3333676	Filter Channel - Front (90cm models)
112	BE3345848	Electrical Box Support
113	B08091852	Nameplate
115	BE3335228	Wiring Box
116	BE3334252	Wiring Box Cover
118	BE3342581	Decorative Flue Bottom
119	BE3342582	Decorative Flue Top
120	B03292118	Flue Mounting Bracket
123	B03292283	Duct Connector
144	B03292287	Wire Clamp
147	BR2300135	Terminal Block
154	B03202286	Lead
166	B08086668	Control Board
208	B02300792	Transformer (48" models)
208	B02300783	Transformer (90cm models)
223	B03200351	Switch Button
229	B03201014	Lamp Lens
240	B03292301	Switch Activator
274	B03295035	Fuse Box
474	B02300719	Halogen Lamp Housing
477	B03295006	Terminal Cover
*	B06002017	Blower Assembly (Includes Key Nos. 42, 48, 49, 53, 68, 69)
*	B06107659	Control Board Assembly (Includes Key Nos. 14, 39, 144, 147, 165, 166)
*	B06107657	Switch Box Assembly (48" models) (Includes Key Nos. 92, 223, 228, 230, 234, 240)
998	B08081189	Hardware Package
-	B02300782	Fuse
-	B02300674	Fuse Holder

\* Not shown assembled.

# SERVICE PARTS

## MODEL K29



# WARRANTY

---

## **BROAN ONE YEAR LIMITED WARRANTY**

Broan warrants to the original consumer purchaser of its products that such products will be free from defects in materials or workmanship for a period of one year from the date of original purchase. THERE ARE NO OTHER WARRANTIES, EXPRESS OR IMPLIED, INCLUDING, BUT NOT LIMITED TO, IMPLIED WARRANTIES OR MERCHANTABILITY OR FITNESS FOR A PARTICULAR PURPOSE.

During this one-year period, Broan will, at its option, repair or replace, without charge, any product or part which is found to be defective under normal use and service.

THIS WARRANTY DOES NOT EXTEND TO FLUORESCENT LAMP STARTERS, TUBES, HALOGEN AND INCANDESCENT BULBS. This warranty does not cover (a) normal maintenance and service or (b) any products or parts which have been subject to misuse, negligence, accident, improper maintenance or repair (other than by Broan), faulty installation or installation contrary to recommended installation instructions.

The duration of any implied warranty is limited to the one-year period as specified for the express warranty. Some states do not allow limitation on how long an implied warranty lasts, so the above limitation may not apply to you.

BROAN'S OBLIGATION TO REPAIR OR REPLACE, AT BROAN'S OPTION, SHALL BE THE PURCHASER'S SOLE AND EXCLUSIVE REMEDY UNDER THIS WARRANTY. BROAN SHALL NOT BE LIABLE FOR INCIDENTAL, CONSEQUENTIAL OR SPECIAL DAMAGES ARISING OUT OF OR IN CONNECTION WITH PRODUCT USE OR PERFORMANCE. Some states do not allow the exclusion or limitation of incidental or consequential damages, so the above limitation or exclusion may not apply to you.

This warranty gives you specific legal rights, and you may also have other rights, which vary from state to state. This warranty supersedes all prior warranties.

To qualify for warranty service, you must (a) notify Broan at the address stated below or telephone: 1-800-637-1453, (b) give the model number and part identification and (c) describe the nature of any defect in the product or part. At the time of requesting warranty service, you must present evidence of the original purchase date.

**BEST BY BROAN**, P.O. Box 140 Hartford, Wisconsin 53027

# VEUILLEZ LIRE CES DIRECTIVES ET LES CONSERVER

 **POUR USAGE DOMESTIQUE SEULEMENT.** 

## **AVERTISSEMENT**

OBSERVEZ LES DIRECTIVES CI-DESSOUS DE MANIÈRE À RÉDUIRE LES RISQUES D'INCENDIE, DE CHOC ÉLECTRIQUE OU DE BLESSURES CORPORELLES :

1. N'utilisez cet appareil que de la manière prévue par le fabricant. Si vous avez des questions, communiquez avec le fabricant à l'adresse ou au numéro de téléphone indiqués dans la garantie.
2. Avant de procéder à la réparation ou à l'entretien de l'appareil, coupez l'alimentation du panneau d'entrée d'électricité et verrouillez l'interrupteur principal afin d'empêcher que le courant ne soit accidentellement rétabli. S'il est impossible de verrouiller l'interrupteur principal, fixez solidement un message d'avertissement, par exemple une étiquette, au panneau d'entrée d'électricité.
3. La pose de l'appareil et les travaux d'électricité doivent être effectués par des personnes qualifiées conformément à la réglementation en vigueur, notamment les normes de la construction ayant trait à la protection contre les incendies.
4. Pour éviter les refoulements, l'apport d'air doit être suffisant pour brûler les gaz produits par les appareils à combustion et les évacuer dans le conduit de fumée (cheminée). Respectez les directives du fabricant de l'appareil de chauffage et les normes de sécurité, notamment celles publiées par la National Fire Protection Association (NFPA), la American Society for Heating, les Refrigeration and Air Conditioning Engineers (ASHRAE) et les codes des autorités locales.
5. Veillez à ne pas endommager le câblage électrique ou d'autres équipements non apparents lors de la découpe ou du perçage du mur ou du plafond.
6. Les ventilateurs canalisés doivent toujours être ventilés à l'air libre.
7. N'utilisez pas de commande de régime à semi-conducteurs conjointement avec cet appareil.
8. Pour réduire les risques d'incendie, utilisez seulement des conduits en métal.
9. Cet appareil doit être mis à la terre.

POUR RÉDUIRE LES RISQUES D'INCENDIE CAUSÉS PAR DE LA GRAISSE SUR LE PLAN DE CUISSON :

- A. Ne laissez jamais les éléments de surface allumés à haute température. Les débordements peuvent causer de la fumée et occasionner des écoulements de graisse inflammables. L'huile doit être chauffée graduellement à basse ou à moyenne température.
- B. Mettez toujours la hotte en fonction (ON) lors de la cuisson à haute température ou lors de la cuisson d'aliments à flamber.
- C. Nettoyez souvent la hotte. Ne laissez pas la graisse s'accumuler sur le ventilateur ou le filtre.
- D. Utilisez des casseroles de dimension appropriée. Utilisez toujours une batterie de cuisine adaptée à la dimension des éléments de surface.



## **AVERTISSEMENT**

---

OBSERVEZ LES CONSIGNES SUIVANTES\* DE MANIÈRE À RÉDUIRE LES RISQUES DE BLESSURES CORPORELLES EN CAS D'INCENDIE CAUSÉ PAR DE LA GRAISSE SUR LE PLAN DE CUISSON :

1. ÉTOUFFEZ LES FLAMMES à l'aide d'un couvercle étanche, d'une tôle à biscuits ou d'un plateau en métal puis éteignez le brûleur. FAITES ATTENTION DE NE PAS VOUS BRÛLER. Si les flammes ne s'éteignent pas immédiatement, QUITTEZ LES LIEUX ET APPELEZ LE SERVICE DES INCENDIES.
2. NE SOULEVEZ JAMAIS UNE CASSEROLE EN FLAMMES - vous pourriez vous brûler.
3. N'UTILISEZ PAS D'EAU, ni de serviettes ou de linges mouillés - une violente explosion de vapeur pourrait survenir.
4. Utilisez un extincteur SEULEMENT si :
  - A. Vous savez qu'il est de classe ABC et vous connaissez déjà son mode de fonctionnement.
  - B. L'incendie n'est pas très important et ne se propage pas.
  - C. Vous avez déjà téléphoné au service des incendies.
  - D. Vous pouvez combattre l'incendie en faisant dos à une sortie.

\* Conseils tirés de la publication de la NFPA « Kitchen Fire Safety Tips ».

## **ATTENTION**

---

1. Pour réduire les risques d'incendie et évacuer l'air correctement, assurez-vous qu'il est canalisé à l'extérieur. Ne pas évacuer l'air dans des espaces enfermés par des murs ou un plafond ou dans un grenier, un vide sanitaire ou un garage.
2. Faites attention lorsque vous utilisez des agents nettoyants ou des détergents.
3. Évitez d'utiliser des produits alimentaires pouvant produire des flammes sous la hotte.
4. Cet appareil ne doit servir qu'à la ventilation générale. Il ne doit pas être utilisé pour éliminer des matières ou des vapeurs dangereuses ou explosives.
5. Pour éviter d'endommager les roulements de moteur, de déséquilibrer les pales ou de les rendre bruyantes, débarrassez l'appareil de la poussière de plâtre, de construction, etc.
6. Le moteur de la hotte est muni d'un dispositif de protection de surcharge électrique qui coupe automatiquement le moteur en cas de surchauffe. Il se remet en marche lorsqu'il a refroidi. Faites réparer la hotte si le moteur continue à fonctionner par intermittence.
7. Pour mieux capter les vapeurs de cuisson, le bas de la hotte doit être au minimum à 61 cm (24 po) et au maximum à 76 cm (30 po) de la surface de cuisson. Pour les directives d'installation, voir la section « Installation des brides de montage ».
8. Il est recommandé que les installateurs soient deux, compte tenu de la taille et du poids de cette hotte.
9. Ce produit est doté d'un thermostat qui peut faire démarrer automatiquement le ventilateur. Pour réduire les risques de blessures, coupez l'alimentation électrique sur le panneau d'électricité et verrouillez-le ou accrochez-y une étiquette de manière à éviter que le courant ne soit rétabli par accident.
10. À utiliser uniquement avec l'ensemble de connexion approuvé.
11. Veuillez lire l'étiquette de spécifications du produit pour obtenir plus de renseignements, notamment sur les normes.

# UTILISATION

## Commandes

La hotte fonctionne à l'aide de quatre (4) boutons-poussoirs situés à hauteur des yeux, sur la face avant.

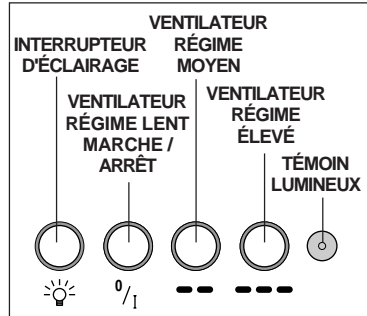
L'**interrupteur d'éclairage** allume et éteint les lampes halogènes.

L'**interrupteur de ventilateur régime lent marche / arrêt** fait démarrer le ventilateur à son régime le plus lent. Le ventilateur doit être mis en marche à l'aide de cet interrupteur. Pour arrêter le ventilateur, il suffit d'appuyer une deuxième fois sur l'interrupteur.

L'**interrupteur de ventilateur régime moyen** place le ventilateur en vitesse moyenne. Cet interrupteur ne fonctionne que si le ventilateur est déjà en marche en régime lent ou élevé.

L'**interrupteur de ventilateur régime élevé** place le ventilateur en haute vitesse. Cet interrupteur ne fonctionne que si le ventilateur est déjà en marche en régime lent ou moyen.

Le **témoin lumineux** s'allume dès que le ventilateur est en marche.



## Thermostat Heat Sentry<sup>MC</sup>

Votre hotte est équipée d'un thermostat HEAT SENTRY<sup>MC</sup>. Il s'agit d'un détecteur de chaleur qui actionne le ventilateur ou en augmente le régime en cas de chaleur excessive dégagée par les éléments de cuisson.

- 1) En position ARRÊT, le ventilateur est mis en MARCHÉ au régime MAXIMUM.
- 2) En position MARCHÉ à régime lent, le ventilateur passe au régime MAXIMUM. Une fois la température revenue à la normale, le ventilateur revient à son réglage d'origine.

## AVERTISSEMENT

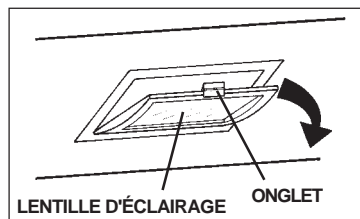
**Le thermostat HEAT SENTRY peut faire démarrer le ventilateur même si la hotte est sur ARRÊT. Lorsque cela se produit, il est impossible d'ARRÊTER le ventilateur avec son interrupteur. Si vous devez arrêter le ventilateur, coupez le disjoncteur du panneau d'alimentation électrique.**

## AMPOULES HALOGÈNES

Cette hotte requiert deux ou quatre ampoules halogènes (type JC, 12V, 20W, base G4).

Pour remplacer les ampoules :

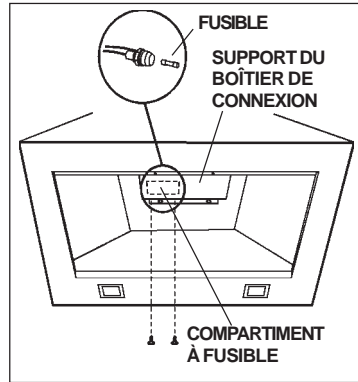
1. Ouvrez la lentille d'éclairage en agrippant l'onglet et en la faisant pivoter vers le bas.
2. Retirez l'ampoule en la tirant sur le côté (et non en la tournant). ATTENTION : L'AMPOULE PEUT ÊTRE BRÛLANTE !
3. Ne touchez pas l'ampoule de recharge avec les mains nues ! Enfoncez fermement l'ampoule dans son socle et refermez la lentille d'éclairage.



## REEMPLACEMENT DU FUSIBLE

SI LES LUMIÈRES NE S'ALLUMENT PAS, COUPEZ LE COURANT AU PANNEAU D'ALIMENTATION ÉLECTRIQUE. VÉRIFIEZ LE FUSIBLE ET REMPLACEZ-LE, LE CAS ÉCHÉANT.

1. Enlevez les filtres.
2. Retirez le support du boîtier de connexion électrique.
3. Enlevez les vis du compartiment à fusible et ouvrez le couvercle.
4. Repérez le porte-fusible. Dévissez son capuchon et enlevez le fusible.
5. Remplacez-le par un fusible de même taille et de même intensité (5 x 20 mm, 4A, 125V).
6. Remplacez le couvercle du compartiment à fusible, le support du boîtier de connexion et les filtres.
7. Rétablissez le courant au panneau électrique.



## ENTRETIEN

### *Filtres à graisse*

Les **filtres à graisse** doivent être nettoyés fréquemment. Utilisez une solution tiède de détergent pour les nettoyer. Ces filtres peuvent aller au lave-vaisselle. Voir la section « INSTALLATION DES FILTRES » pour les instructions concernant leur pose et leur démontage.

### *Filtre non canalisé*

Le **filtre non canalisé** doit être remplacé tous les 6 mois. Voir la section « INSTALLATION DES FILTRES » pour les instructions concernant leur pose et leur démontage.

### *Nettoyage de la hotte*

L'acier inoxydable est l'un des matériaux les plus faciles à nettoyer. Quelques soins contribueront à préserver sa belle apparence.

Conseils de nettoyage :

- Il suffit habituellement d'utiliser de l'eau chaude savonneuse ou additionnée de détergent.
- Après le nettoyage, rincez toujours à l'eau claire. Essuyez la surface avec un chiffon propre et doux pour éviter les stries.
- Pour les ternissures ou les dépôts tenaces, utilisez un nettoyant domestique non-abrasif ou une poudre à polir l'acier inoxydable avec un peu d'eau et un chiffon doux.
- Pour la saleté rebelle, utilisez un tampon à récurer en plastique ou une brosse à poils doux avec un nettoyant et de l'eau. Frottez doucement dans le sens des lignes de polissage ou du « grain » de l'acier. Évitez de trop appuyer au risque de gâcher la surface.
- NE LAISSEZ PAS les dépôts s'accumuler trop longtemps.
- N'UTILISEZ PAS une laine d'acier ordinaire ou une brosse d'acier. De petites particules d'acier risqueraient d'adhérer à la surface et de la faire rouiller.
- NE LAISSEZ PAS une solution saline, un désinfectant, de l'eau de javel ou tout autre produit détachant rester longtemps en contact avec l'acier inoxydable. Bon nombre de ces nettoyants contiennent des produits pouvant en altérer la surface. Après l'utilisation du nettoyant, rincez la surface à l'eau et essuyez-la avec un chiffon propre.

Nettoyez les surfaces peintes uniquement à l'eau tiède avec un détergent doux.

# PRÉPARATION DE LA HOTTE

Déballiez la hotte et vérifiez le contenu de la boîte.

Celle-ci doit contenir les éléments suivants :

1 - Hotte

1 - Conduit décoratif de cheminée

1 - Sac de plastique (B08081189) contenant :

1 - Bride de montage du conduit décoratif

2 - Brides de montage

8 - Vis de montage (4,8 x 38 mm - à tête cylindrique)

4 - Vis de montage (3,9 x 9,5 mm - à tête cylindrique)

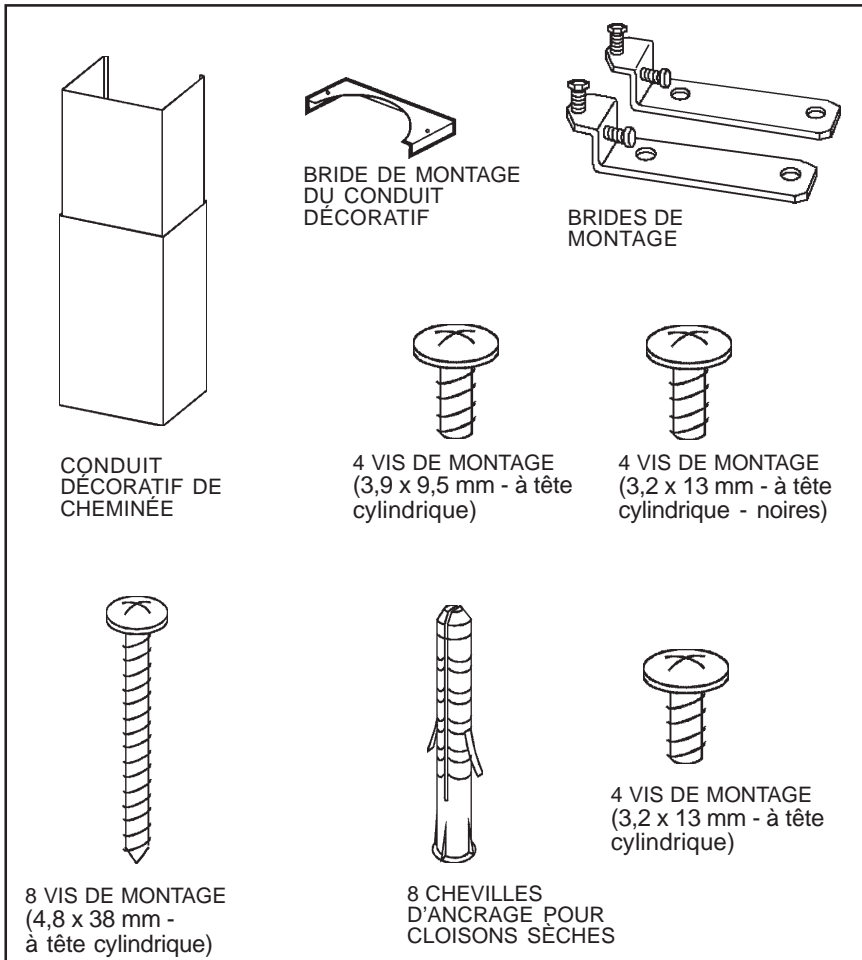
4 - Vis de montage (3,2 x 13 mm - à tête cylindrique)

4 - Vis de montage (3,2 x 13 mm - à tête cylindrique - noires)

8 - Chevilles d'ancrage pour cloisons sèches

1 - Directives d'installation

1 - Carte de garantie



# INSTALLATION DU DOSSERET

## FACULTATIF

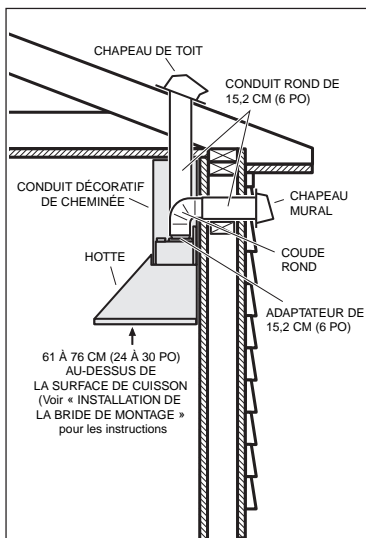
Si vous utilisez le dossieret Modèle de série BSK6 offert en option, fixez-le au mur fini. Fixez les brides de montage au dossieret et omettez l'installation des pièces de charpente décrites ci-dessous.

## POSE DU CONDUIT

### INSTALLATION AVEC CONDUIT SEULEMENT

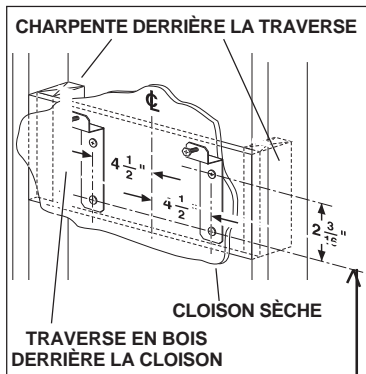
**REMARQUE : Pour réduire les risques d'incendie, utilisez seulement des conduits en métal.**

1. Planifiez la pose du conduit en déterminant son tracé entre la hotte et l'extérieur de la maison.
2. Un tracé droit et court permet à la hotte d'être plus efficace.
3. Des conduits longs, des coudes et des transitions réduisent son efficacité. N'en utilisez que le moins possible.
4. Installez le chapeau mural ou de toit. Connectez un conduit rond en métal de 15,2 cm (6 po) au chapeau en progressant vers la hotte. Scellez les joints avec du ruban à conduit à chaque section.



## INSTALLATION DES BRIDES DE MONTAGE

1. Construisez une charpente de bois qui affleure la surface intérieure des montants du mur. Prenez soin :
  - a) de centrer cette charpente avec l'emplacement d'installation.
  - b) de donner une hauteur suffisante à la charpente afin de pouvoir y fixer solidement les brides de montage selon les mesures indiquées.
2. Une fois la surface du mur finie, fixez les brides de montage à la charpente selon les mesures indiquées.

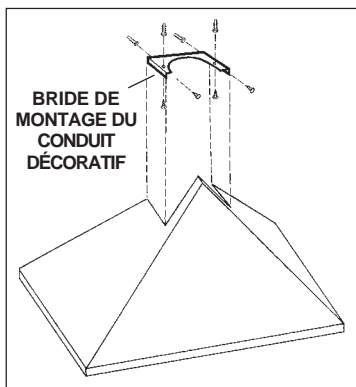


HAUTEUR DU PLAFOND	MÉTHODE DE CANALISATION	POUR UNE DISTANCE DE PLUS DE 90 CM (36 PO) AU-DESSUS DE LA SURFACE DE CUISSON (VOIR LA NOTE CI-DESSOUS)							
		24 po	25 po	26 po	27 po	28 po	29 po	30 po	31 po
BRIDES DE MONTAGE À PLUS DE 90 CM (36 PO) AU-DESSUS DE LA SURFACE DE CUISSON									
244 CM (8 PI)	AVEC OU SANS CONDUITS	28-1/4 po	29-1/4 po	30-1/4 po	31-1/4 po	32-1/4 po	33-1/4 po	34-1/4 po	
274 CM (9 PI)	AVEC OU SANS CONDUITS								35-1/4 po
305 CM (10 PI)	CONDUITS AVEC FEXTK23							34-1/4 po	35-1/4 po

Remarque : la distance minimale au-dessus de la surface de cuisson ne doit pas être inférieure à 61 cm (24 po). Un maximum de 78,7 cm (31 po) est également fortement recommandé pour mieux capter les vapeurs de cuisson. Les distances de plus de 78,7 cm (31 po) sont laissées à la discrétion de l'installateur et de l'utilisateur si la hauteur du plafond et la longueur du conduit décoratif le permettent.

## INSTALLATION DE LA BRIDE DE MONTAGE DU CONDUIT DÉCORATIF

1. Centrez **soigneusement** la bride de montage directement au-dessus de l'emplacement de la hotte.
2. Fixez la bride au plafond à l'aide de deux (2) vis de montage de 4,8 x 38 mm et des chevilles d'ancrage pour cloisons sèches. Assurez-vous que la bride est bien appuyée dans l'angle du mur et contre le mur, et bien centrée au-dessus de la hotte.



## PRÉPARATION DE LA HOTTE

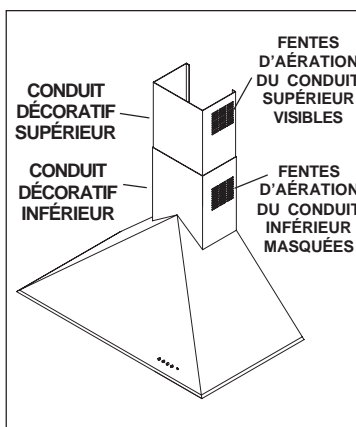
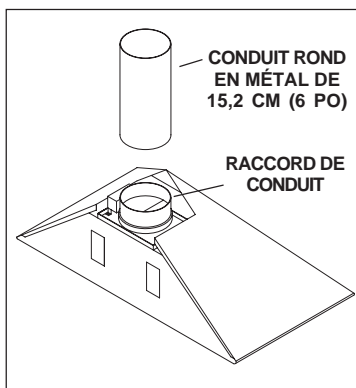
### INSTALLATION AVEC CONDUIT SEULEMENT

**Remarque :** Sur les hottes d'acier inoxydable, retirez soigneusement la pellicule protectrice en plastique sur toutes les surfaces extérieures de la hotte et du conduit décoratif de cheminée avant l'installation finale.

1. Fixez un conduit rond en métal de 15,2 cm (6 po) d'une longueur adéquate au raccord de conduit de la hotte.
2. Scellez tous les joints au ruban à conduit.
3. Placez soigneusement le conduit décoratif inférieur sur le dessus de la hotte.
4. Glissez soigneusement le conduit décoratif supérieur à l'intérieur du conduit décoratif inférieur.

**Remarque :** Pour les plafonds de 244 cm (8 pi), les fentes d'aération du conduit décoratif supérieur peuvent être masquées en installant le conduit, les fentes vers le bas.

Pour les plafonds de 274 cm (9 pi), les fentes d'aération du conduit décoratif supérieur demeurent visibles après l'installation.



# PRÉPARATION DE LA HOTTE

## INSTALLATION SANS CONDUIT SEULEMENT

**Remarque :** Sur les hottes d'acier inoxydable, retirez soigneusement la pellicule protectrice en plastique sur toutes les surfaces extérieures de la hotte et du conduit décoratif de cheminée avant l'installation finale.

**Remarque :** Le matériel suivant doit être acheté séparément pour les installations sans conduit avec recirculation.

- Caisson de recirculation pour installation sans conduit – N° de pièce SB08089123
- Conduit d'aluminium flexible / diamètre de 15,2 cm (6 po) extensible
- Mèche de 1,6 mm (1/16 po) de diamètre
- Filtre de recirculation de modèle FILTERK3490CM (pour les hottes de 90 cm de largeur) ou de modèle FILTERK3448 (pour les hottes de 48 po (121,9 cm) de largeur).

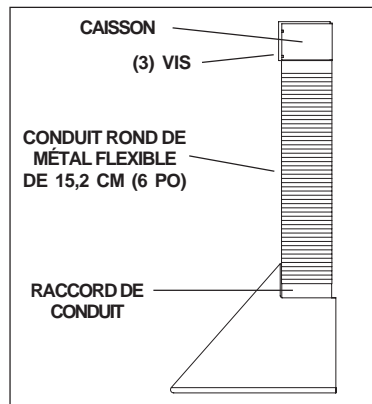
**Attention :** Utilisez un conduit de métal flexible. N'utilisez pas de conduit en métal rigide ou en plastique.

1. Déterminez la longueur du conduit de métal flexible comprimé à l'aide de la formule suivante :

99 cm (39 po)	<b>MOINS</b>	Distance au dessus de la surface de cuisson.	<b>PLUS</b>	30,5 cm (12 po) si le plafond a une hauteur de 274 cm (9 pi)	=	Longueur comprimée du conduit d'aluminium flexible
------------------	--------------	--	-------------	---	---	--

*Calcul :* 99 cm (39 po) - \_\_\_\_\_ + \_\_\_\_\_ (pour plafond de 274 cm (9 pi) uniquement) = \_\_\_\_\_

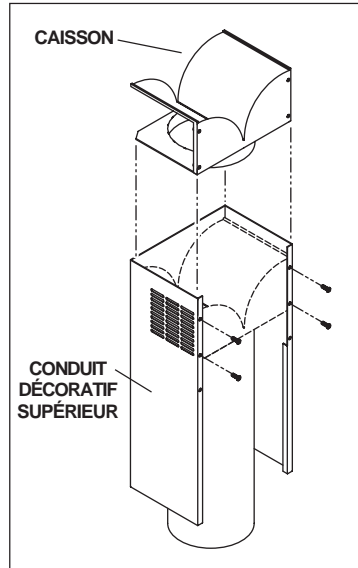
2. Enlevez et jetez les ailes du clapet à l'intérieur du raccord de conduit de la hotte.
3. Fixez le conduit rond de métal flexible de 15,2 cm (6 po) au raccord de conduit de 15,2 cm (6 po) de la hotte. Scellez tous les joints avec du ruban à conduit.
4. Montez le caisson de recirculation sur le conduit flexible.
5. Percez trois trous également espacés de 1,6 mm (1/16 po) de diamètre à travers le conduit et le raccord sur le caisson de recirculation.
6. Fixez le conduit au raccord du caisson avec trois (3) vis à tête. Scellez tous les joints avec du ruban d'aluminium pour conduits.



## PRÉPARATION DE LA HOTTE (SUITE)

### INSTALLATION SANS CONDUIT SEULEMENT

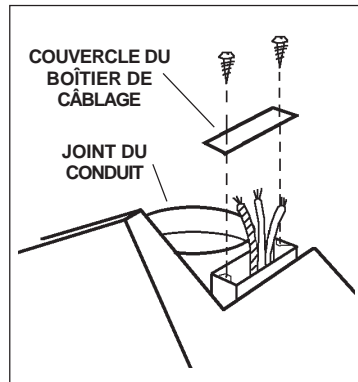
- Placez avec précaution le conduit décoratif inférieur en dessous de la hotte de cuisine.
- Glissez délicatement le conduit décoratif supérieur à l'intérieur du conduit inférieur.
- Fixez le caisson de recirculation au conduit décoratif supérieur avec quatre (4) vis cruciformes à tête plate.



## CÂBLAGE

**Remarque : Cette hotte de cuisine doit être correctement mise à la terre. Cette unité doit être installée par un électricien qualifié en respectant tous les codes électriques nationaux et locaux en vigueur.**

- Retirez le couvercle du boîtier de câblage. Retirez la rondelle défonçable du boîtier de câblage.
- Enfilez 15,2 cm (6 po) de câble d'alimentation à travers l'ouverture perforée et fixez le câble au boîtier avec un connecteur approprié.
- Effectuez les branchements électriques. Branchez les fils noirs ensemble, les fils blancs ensemble et les fils verts ensemble.
- Remplacez le couvercle du boîtier de câblage et les vis. Assurez-vous qu'aucun des fils n'est coincé entre le couvercle et le boîtier.

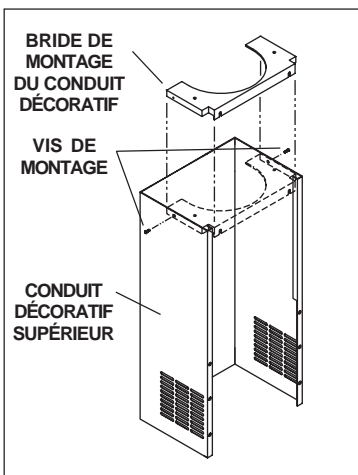
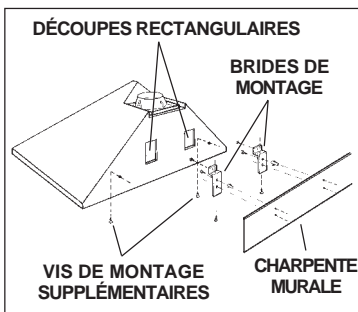




## INSTALLATION DE LA HOTTE

Remarque : L'installation de la hotte nécessite au moins deux personnes.

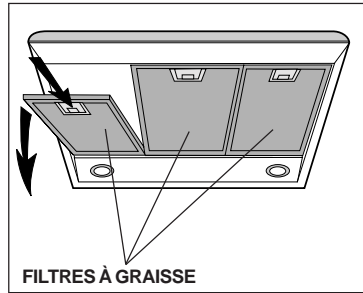
1. Soulevez la hotte en position de montage.
2. Alignez les ouvertures rectangulaires à l'arrière de la hotte avec les brides de montage murales. Abaissez doucement la hotte jusqu'à ce qu'elle s'engage solidement dans la bride.
3. Placez la hotte de niveau et fixez-la avec deux (2) vis de montage. Utilisez les chevilles d'ancrage pour cloisons sèches fournies si les montants ou la charpente ne sont pas accessibles.
4. Soulevez le conduit décoratif supérieur jusqu'à ce que ses trous s'alignent avec ceux de la bride de montage du conduit (situés contre le plafond).
5. Fixez le conduit décoratif avec deux (2) vis de montage.



## **INSTALLATION DES FILTRES**

### **INSTALLATION AVEC CONDUIT SEULEMENT**

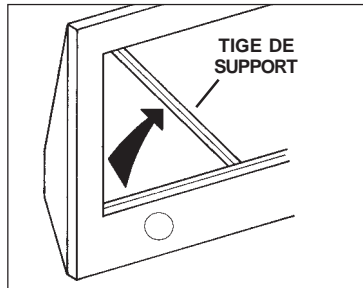
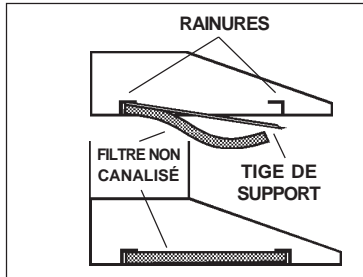
1. Pour enlever le filtre à GRAISSE, tirez la languette vers le bas. Le filtre se dégagera de la hotte. Inclinez le filtre vers le bas et enlevez-le.
2. Pour installer le filtre à GRAISSE, alignez les pattes arrière du filtre dans les fentes de la hotte. Tirez la languette vers le bas, poussez le filtre en place et relâchez la languette. Vérifiez si le filtre est bien fixé une fois remplacé.



## **INSTALLATION DU FILTRE NON CANALISÉ**

### **INSTALLATION SANS CONDUIT SEULEMENT**

1. Procurez-vous un ensemble de filtre (modèle n° FILTERK3490CM ou FILTERK3448) chez votre détaillant.
2. Enlevez les filtres à graisse en les poussant vers l'arrière pour comprimer les ressorts de fixation, puis inclinez les filtres vers le bas en les dégageant de la rainure avant.
3. En tenant le filtre non canalisé par les côtés, insérez une des tiges de support, (fournie avec les filtres) dans la rainure supérieure arrière parallèle à l'avant de la hotte afin d'éviter que le filtre ne soit aspiré contre le moteur.
4. Courbez le filtre et insérez-le à l'avant.



# PIÈCES DE RECHANGE

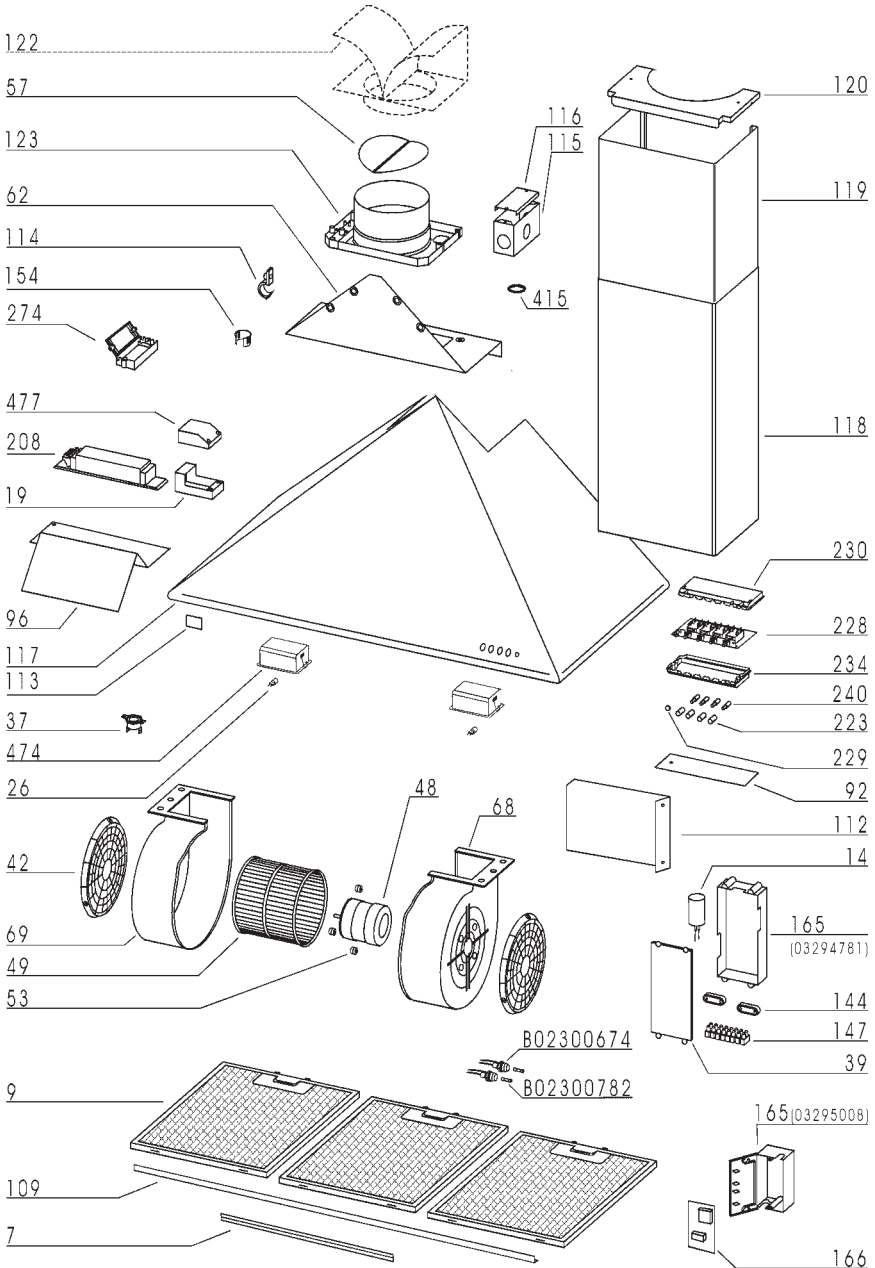
**MODELE K29** - Pièces indiquées pour les modèles en acier inoxydable. Pour les pièces des modèles noirs ou blancs, veuillez appeler le Service à la clientèle Broan.

REPÈRE	N° de PIÈCE	DESCRIPTION
9	B08087163	Filtre à graisse
14	B02300233	Condensateur pour moteur
19	B03295005	Boîtier de jonction
26	B02300891	Ampoule halogène
37	B02300787	Thermostat Heat Sentry
39	B03294033	Couvercle du panneau de commande
48	B02310201	Moteur
49	B03295071	Roue à ailettes
53	B03202007	Rondelle de caoutchouc
57	B02000756	Clapet anti-retour
62	B08088597	Plaque de montage du ventilateur
68	B02000295	Boîtier droit du ventilateur
69	B02000296	Boîtier gauche du ventilateur
96	BE3245849	Support du ballast
109	BE3342578	Rainure de filtre - Avant (modèles de 48 po)
109	BE3333676	Rainure de filtre - Avant (modèles de 90 cm)
112	BE3345848	Support du boîtier de connexion électrique
113	B08091852	Plaque signalétique
115	BE3335228	Boîtier de câblage
116	BE3334252	Couvercle du boîtier de câblage
118	BE3342581	Conduit décoratif inférieur
119	BE3342582	Conduit décoratif supérieur
120	B03292118	Bride de montage du conduit décoratif
123	B03292283	Raccord de conduit
144	B03292287	Attache de câble
147	BR2300135	Bornier
154	B03202286	Manchon
166	B08086668	Panneau de commande
208	B02300792	Transformateur (modèles de 48 po)
208	B02300783	Transformateur (modèles de 90 cm)
223	B03200351	Bouton d'interrupteur
229	B03201014	Lentille d'éclairage
240	B03292301	Contact d'interrupteur
274	B03295035	Compartiment à fusible
474	B02300719	Socle d'ampoule halogène
477	B03295006	Couvercle du boîtier de jonction
*	B06002017	Ensemble du ventilateur
*	B06107659	Ensemble du panneau de commande (comprend repères nos 42, 48, 49, 53, 68, 69)
*	B06107657	Ensemble de boîtier de commutateur (modèles de 48 po) (comprend repères nos 92, 223, 228, 230, 234, 240)
998	B08081189	Accessoires de quincaillerie
-	B02300782	Fusible
-	B02300674	Porte-fusible

\* Illustré démonté.

# PIÈCES DE RECHANGE

## MODÈLE K29



## WARRANTY

---

### **GARANTIE LIMITÉE D'UN AN DE BROAN**

Broan garantit à l'acheteur consommateur original de ses produits qu'ils sont exempts de vice de matériaux ou de fabrication pour une période d'un an à compter de la date d'achat original. IL N'Y A PAS D'AUTRES GARANTIES, EXPRIMÉES OU IMPLICITES, INCLUANT MAIS NON LIMITÉES AUX GARANTIES IMPLICITES DE QUALITÉ MARCHANDE ET DE CONVENANCE DANS UN BUT PARTICULIER.

Durant cette période d'un an, Broan, à sa discrétion, réparera ou remplacera gratuitement tout produit ou pièce qui s'avèrera défectueux et ayant été utilisé normalement et d'une manière non abusive.

**CETTE GARANTIE NE COUVRE PAS LES STARTERS DE TUBES FLUORESCENTS NI LES TUBES FLUORESCENTS.** Cette garantie ne couvre pas (a) l'entretien et le service normal ou (b) tout produit ou pièce endommagé à la suite d'un mauvais usage, d'une négligence, d'un accident, d'un entretien inadéquat ou d'une réparation (autre que par Broan), d'une mauvaise installation ou d'une installation non conforme au mode d'installation recommandé.

La durée de toute garantie implicite est limitée à une période d'un an tel que spécifié pour la garantie exprimée. Certains États ou provinces ne permettent pas de limitation de la durée d'une garantie implicite. Cette condition ne s'applique donc peut-être pas dans votre cas.

**L'ENGAGEMENT DE BROAN À RÉPARER OU À REMPLACER, AU CHOIX DE BROAN, SERA LA SEULE OBLIGATION EXCLUSIVE SOUS CETTE GARANTIE. BROAN NE SE TIENDRA PAS RESPONSABLE DES DOMMAGES DIRECTS, INDIRECTS OU SPÉCIAUX AYANT UN LIEN DIRECT OU INDIRECT AVEC L'UTILISATION OU LA PERFORMANCE DE SES PRODUITS.** Certains États ou provinces ne permettent pas l'exclusion ou la limitation de dommages directs ou indirects. Cette condition ne s'applique donc peut-être pas dans votre cas. Cette garantie vous donne des droits spécifiques et il se peut que vous ayez d'autres droits qui varient d'une province à l'autre ou d'un État à l'autre. Cette garantie annule toutes les garanties précédentes.

Pour le service sous garantie, vous devez (a) aviser Broan à l'adresse ou le numéro ci-dessous, (b) donner le numéro ou le modèle et l'identification de la pièce et (c) décrire la nature de tout défaut dans le produit ou la pièce. Au moment de la demande de service sous garantie, vous devez présenter une preuve de la date d'achat original du produit en question.

**BEST BY BROAN**, P.O. Box 140 Hartford, Wisconsin 53027 (1-800-637-1453)

# LEA Y CONSERVE ESTAS INSTRUCCIONES

 **INDICADA SOLAMENTE PARA COCINAR EN CASA.** 

  **ADVERTENCIA**

PARA REDUCIR EL RIESGO DE INCENDIOS, DESCARGAS ELÉCTRICAS O LESIONES PERSONALES OBSERVE LAS SIGUIENTES PRECAUCIONES:

1. Use la unidad sólo de la manera indicada por el fabricante. Si tiene preguntas, comuníquese con el fabricante en la dirección o el número telefónico que se incluye en la garantía.
2. Antes de dar servicio o limpiar la unidad, interrumpa el suministro eléctrico en el panel de servicio y bloquee el panel de servicio para evitar que la electricidad se active accidentalmente. Cuando no sea posible bloquear los medios de desconexión del servicio, fije firmemente en un lugar prominente del panel de servicio un dispositivo de advertencia, como por ejemplo una etiqueta.
3. Una o más personas calificadas deben realizar el trabajo de instalación y el cableado eléctrico, de acuerdo con todos los códigos y normas correspondientes, incluidos los códigos y normas de construcción específicos de protección contra incendios.
4. Se necesita suficiente aire para que se lleve a cabo una combustión y descarga adecuadas de los gases a través del tubo de humos (chimenea) del equipo quemador de combustible, a fin de evitar los contratiros. Siga las directrices y las normas de seguridad del fabricante del equipo de calentamiento, como aquellas publicadas por la Asociación Nacional de Protección contra Incendios (National Fire Protection Association, NFPA), y la Sociedad Americana de Ingenieros en Calefacción, Refrigeración y Aire Acondicionado (American Society for Heating, Refrigeration and Air Conditioning Engineers, ASHRAE), y las autoridades de los códigos locales.
5. Al cortar o perforar a través de la pared o del cielo raso, no dañe el cableado eléctrico ni otros servicios ocultos.
6. Los ventiladores con conductos siempre se deben conectar hacia el exterior.
7. No use esta unidad junto con ningún dispositivo de estado sólido para el control de la velocidad.
8. Para reducir el riesgo de incendio, use solamente conductos metálicos.
9. Esta unidad se debe conectar a tierra.

PARA REDUCIR EL RIESGO DE INCENDIO PROVOCADO POR GRASA PRESENTE EN LA ESTUFA:

- A. Nunca deje las unidades de la superficie desatendidas cuando estén en ajustes altos de calor. Los alimentos en ebullición provocan derrames grasosos y con humo que se pueden inflamar. Caliente el aceite lentamente en ajustes de calor bajo o medio.
- B. Siempre ENCIENDA la campana cuando cocine a calor alto o cuando cocine alimentos inflamables.
- C. Limpie frecuentemente los ventiladores. No se debe permitir la acumulación de grasa en el ventilador ni en el filtro.
- D. Use una cacerola del tamaño adecuado. Siempre use utensilios de cocina que sean apropiados para el tamaño del elemento de la superficie.

## **ADVERTENCIA**

PARA REDUCIR EL RIESGO DE LESIONES A LAS PERSONAS EN CASO DE INCENDIO PRODUCIDO POR GRASA PRESENTE EN LA ESTUFA, OBSERVE LO SIGUIENTE:\*

1. APAGUE LAS LLAMAS con una tapa de ajuste exacto, una charola para galletas o una bandeja de metal, luego apague el quemador. TENGA CUIDADO PARA PREVENIR QUEMADURAS. Si las llamas no se apagan inmediatamente, EVACÚE EL ÁREA Y LLAME A LOS BOMBEROS.
2. NUNCA LEVANTE UNA CACEROLA INCENDIADA, se puede quemar.
3. NO USE AGUA, ni trapos o toallas de cocina mojados, puede producirse una explosión violenta de vapor.
4. Use un extintor SÓLO si:
  - A. Tiene un extintor de la Clase ABC y ya sabe cómo funciona.
  - B. El incendio es pequeño y está confinado en el área en la que se inició.
  - C. Va a llamar al Departamento de Bomberos.
  - D. Puede combatir el incendio teniendo la espalda orientada hacia una salida.

\* Basado en "Kitchen Firesafety Tips" (Sugerencias para la seguridad contra incendios en la cocina) publicado por NFPA.

## **PRECAUCIÓN**

1. Para reducir el riesgo de incendio y para descargar adecuadamente el aire, asegúrese de dirigir el aire hacia el exterior. No descargue el aire hacia espacios contenidos entre paredes o cielos rasos ni en áticos, sótanos bajos ni en la cochera.
2. Tenga cuidado cuando use agentes de limpieza o detergentes.
3. Evite usar bajo la campana de la estufa productos alimenticios que produzcan llamas.
4. Sólo para usarse en ventilación general. No se use para descargar materiales ni vapores peligrosos o explosivos.
5. Para evitar daños a los cojinetes del motor y rotores ruidosos y/o no equilibrados, mantenga el rocío de yeso, el polvo de la construcción, etc. alejados de la unidad de accionamiento.
6. El motor de su campana tiene una protección contra sobrecargas térmicas que automáticamente apagará el motor en caso de sobrecalentamiento. El motor reanudará su funcionamiento cuando se enfríe. Si el motor continúa apagándose y encendiéndose, solicite servicio para la campana.
7. Para capturar mejor las impurezas producidas al cocinar, la parte inferior de la campana debe estar a una altura mínima de 24 pulg. (61 cm) y máxima de 30 pulg. (76 cm) sobre la superficie de cocinado. Consulte el apartado "Instalación del soporte de montaje" para ver las instrucciones de montaje.
8. Se recomienda que dos personas hagan la instalación debido al gran tamaño y peso de esta campana.
9. Este producto está equipado con un termostato que puede iniciar automáticamente el funcionamiento del ventilador. Para reducir el riesgo de lesiones personales y para evitar que la electricidad sea reanudada accidentalmente, interrumpa el suministro eléctrico en el panel de servicio y bloquee o rotule este panel.
10. Use solamente con el juego de cable de alimentación y conexiones aprobado.
11. Por favor lea la etiqueta de especificaciones del producto para ver información y requisitos adicionales.

# OPERACIÓN

## Controles

La campana se opera usando los (4) pulsadores que se ubican al nivel de los ojos en el borde frontal de la campana.

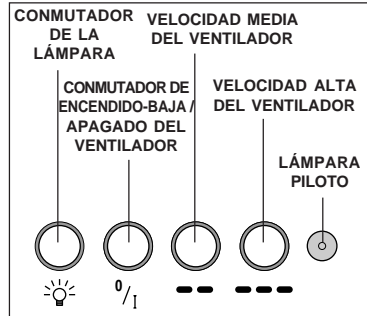
El **comutador de la lámpara** enciende y apaga las lámparas de halógeno.

El **comutador de encendido-baja / apagado** enciende el ventilador en su velocidad más baja. Se debe encender el ventilador usando este conmutador. Apague el ventilador presionando por segunda vez este conmutador.

El **comutador de velocidad media del ventilador** cambia el ventilador a velocidad media. Este conmutador sólo funciona si el ventilador ya está funcionando a velocidad baja o alta.

El **comutador de velocidad alta del ventilador** cambia el ventilador a velocidad alta. Este conmutador sólo funciona si el ventilador ya está funcionando a velocidad baja o media.

La **lámpara piloto se enciende** siempre que el ventilador esté encendido.



## Termostato Heat Sentry™

Su campana está equipada con un termostato HEAT SENTRY™. Este termostato es un dispositivo que encenderá el ventilador, o aumentará su velocidad, si detecta un calor excesivo sobre la superficie de cocinado.

- 1) Si el ventilador está APAGADO – ENCIENDE el ventilador a ALTA velocidad.
- 2) Si el ventilador está ENCENDIDO a una velocidad menor – pone el ventilador a ALTA velocidad. Cuando la temperatura baja a un nivel normal, el ventilador regresa a su ajuste original.

## ADVERTENCIA

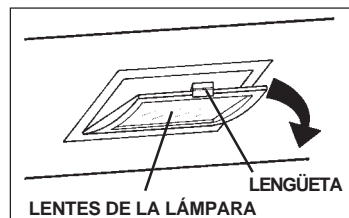
**El termostato HEAT SENTRY puede encender el ventilador aunque la campana esté APAGADA. Cuando esto ocurre, es imposible APAGAR el ventilador con su conmutador. Si debe apagar el ventilador, hágalo desde el panel eléctrico principal.**

## BOMBILLAS DE HALÓGENO

Esta campana de estufa requiere cuatro bombillas de halógeno (Tipo JC, 12 V, 20 W, base G4)

Para cambiar las bombillas:

1. Abra los lentes de la lámpara sujetando la lengüeta de los lentes y girando los lentes hacia abajo.
2. Quite la bombilla halando hacia un lado (no la gire). **PRECAUCIÓN: ¡LA BOMBILLA PUEDE ESTAR CALIENTE!**
3. ¡No toque la bombilla de reemplazo con las manos desnudas! Empuje con seguridad la bombilla en el portalámpara y cierre los lentes a presión.

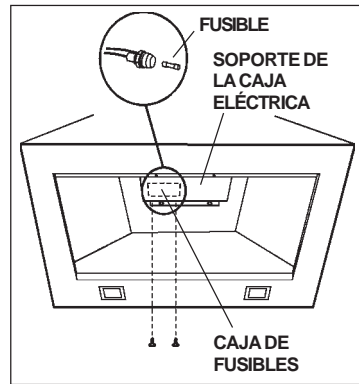




## REEMPLAZO DEL FUSIBLE

**SI LAS LÁMPARAS NO FUNCIONAN, DESCONECTE LA ENERGÍA EN LA ENTRADA DEL SERVICIO. REVISE EL FUSIBLE Y REEMPLÁCELO SI ES NECESARIO.**

1. Quite los filtros.
2. Quite el soporte de la caja eléctrica.
3. Quite los tornillos de la caja de fusibles y abra la cubierta.
4. Localice el portafusible. Desenrosque la tapa y saque el fusible.
5. Reemplace el fusible con otro del mismo tamaño y amperaje (5 x 20 mm, 4 A, 125 V).
6. Vuelva a colocar la cubierta de la caja de fusibles, el soporte de la caja eléctrica y los filtros.
7. Vuelva a conectar la energía en la entrada del servicio.



## MANTENIMIENTO

### *Filtros de grasa*

Los **filtros de grasa** se deben limpiar con frecuencia. Use una solución tibia de detergente para limpiar los filtros. Los filtros se pueden lavar en lavaplatos. Consulte la sección "INSTALACIÓN DEL FILTRO" para ver las instrucciones de instalación y remoción.

### *Filtros Ductfree*

El **filtro Ductfree** se debe cambiar cada 6 meses. Consulte la sección "INSTALACIÓN DEL FILTRO" para ver las instrucciones de instalación y remoción.

### *Limpieza de la campana*

El acero inoxidable es uno de los materiales que se pueden mantener limpios con más facilidad. Un cuidado ocasional ayudará a mantener su buen aspecto.

Consejos útiles de limpieza:

- Normalmente, todo lo que se necesita es agua caliente con jabón o detergente.
- Enjuague bien con agua limpia después de limpiar. Seque con un trapo limpio y suave para no dejar marcas de agua.
- Si persisten las decoloraciones o los depósitos, use un limpiador casero que no raspe o un polvo de pulir para acero inoxidable con un poco de agua y un trapo suave.
- En los casos más difíciles, use una almohadilla plástica de restregado o un cepillo de cerdas suaves junto con el limpiador y agua. Frote ligeramente en la misma dirección que las líneas de pulido o "grano" del acabado de acero inoxidable. No aplique demasiada presión porque podría desgastar la superficie.
- **NO** permita que se acumulen depósitos durante largos periodos de tiempo.
- **NO** use lana de acero ni cepillos de acero ordinarios. Se podrían adherir pequeños trozos de acero a la superficie y hacer que se oxide.
- **NO** permita que el acero inoxidable permanezca en contacto con soluciones salinas, desinfectantes, blanqueadores o compuestos de limpieza durante mucho tiempo. Muchos de estos compuestos contienen productos químicos que pueden ser dañinos. Si el acero inoxidable entra en contacto con estos compuestos, enjuague con agua y seque con un trapo limpio.

Las superficies pintadas se deben limpiar solamente con agua tibia y un detergente suave.

# PREPARACIÓN DE LA CAMPANA

Desempaque la campana y revise el contenido del paquete.

Debe recibir:

1 Campana

1 Conjunto del tubo de humos decorativo

1 Bolsa de piezas (B08081189) que contenga:

1 Soporte de montaje del tubo de humos

2 Soportes de montaje

8 Tornillos de montaje (4.8 x 38 mm de cabeza troncocónica)

4 Tornillos de montaje (3.9 x 9.5 mm de cabeza troncocónica)

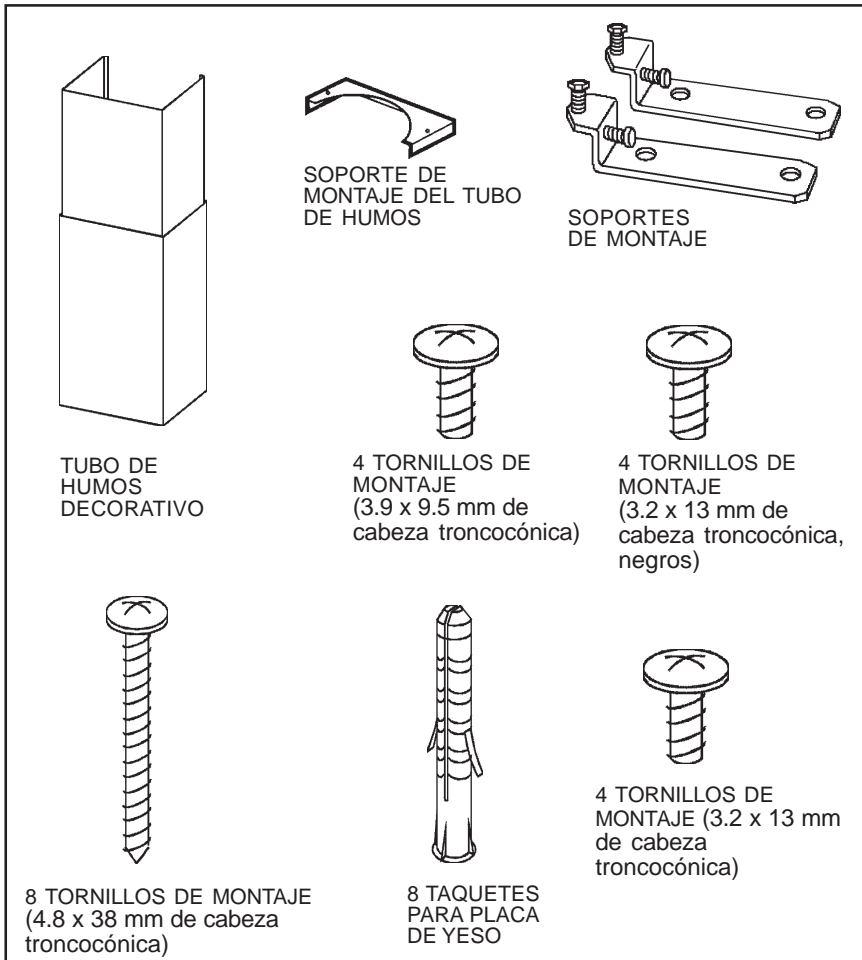
4 Tornillos de montaje (3.2 x 13 mm de cabeza troncocónica)

4 Tornillos de montaje (3.2 x 13 mm de cabeza troncocónica, negros)

8 Taquetes para placa de yeso

1 Instrucciones de instalación

1 Tarjeta de garantía



# INSTALACIÓN DEL PROTECTOR CONTRA SALPICADURAS

## OPCIONAL

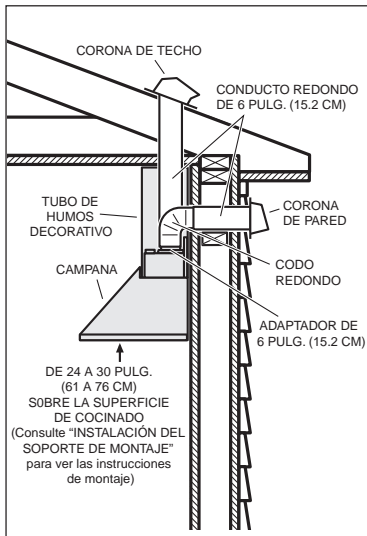
Si se usa el protector contra salpicaduras Modelo BSK6 opcional, instálelo en la pared acabada. Fije los soportes de montaje de la campana en el protector contra salpicaduras y omita el bastidor de la pared que se describe abajo.

## INSTALACIÓN DEL SISTEMA DE CONDUCTOS

### SÓLO CONFIGURACIÓN CON CONDUCTO

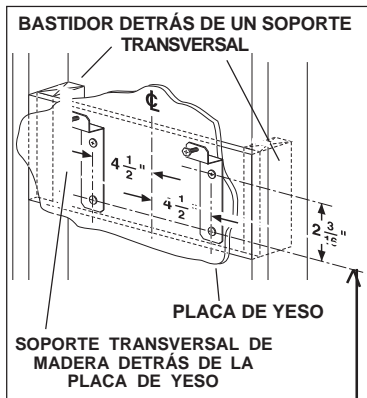
**NOTA:** Para reducir el riesgo de incendio, use solamente conductos metálicos.

1. Decida dónde instalará el conducto entre la campana y el exterior.
2. Un conducto recto y corto permitirá que la campana funcione más eficientemente.
3. Los tramos largos de conductos, codos y transiciones reducirán el rendimiento de la campana. Use tan pocos de ellos como sea posible.
4. Instale una corona de techo o una corona de pared. Conecte un conducto metálico Redondo de 6 pulg. (15.2 cm) en la corona y trabaje hacia atrás, hacia la ubicación de la campana. Use cinta para conductos para sellar las uniones entre las secciones de conductos.



## INSTALACIÓN DE LOS SOPORTES DE MONTAJE

1. Construya un bastidor de madera en la pared que quede al ras de la superficie interior de los montantes de la pared. Asegúrese de que:
  - a) el bastidor esté centrado en el lugar de la instalación.
  - b) la altura del bastidor permita fijar los soportes de montaje en el bastidor dentro de las dimensiones mostradas.
2. Después de que se termine la superficie de la pared fije los soportes de montaje en el bastidor usando las dimensiones mostradas.

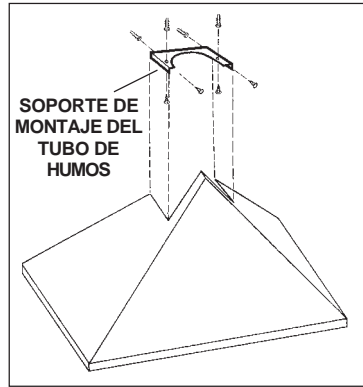


ALTURA DEL CIELO RASO	CONFIGURACIÓN	DISTANCIA MAYOR DE 36 pulg. (90 CM) DE LA CAMPANA A LA SUPERFICIE DE LA ESTUFA (VÉASE LA NOTA A CONTINUACIÓN)							
		24 pulg.	25 pulg.	26 pulg.	27 pulg.	28 pulg.	29 pulg.	30 pulg.	31 pulg.
8 PIES (244 CM)	CON O SIN CONDUCTO	28-1/4 pulg.	29-1/4 pulg.	30-1/4 pulg.	31-1/4 pulg.	32-1/4 pulg.	33-1/4 pulg.	34-1/4 pulg.	
9 PIES (274 CM)	CON O SIN CONDUCTO								35-1/4 pulg.
10 PIES (305 CM)	CON CONDUCTO, CON FEXTK23							34-1/4 pulg.	35-1/4 pulg.

Nota: La distancia mínima de la campana sobre la superficie de la estufa no debe ser menor de 24 pulg. (61 cm). Se recomienda enfáticamente una distancia máxima de 31 pulg. (78.7 cm) sobre la superficie de la estufa para la mejor captura de las impurezas resultantes del cocinado. Las distancias mayores de 31 pulg. (78.7 cm) se dejan a criterio de la persona que hace la instalación y del usuario; y si la altura del cielo raso y la longitud del tubo de humos lo permiten.

# INSTALACIÓN DEL SOPORTE DE MONTAJE DEL TUBO DE HUMOS

1. Centre **cuidadosamente** el soporte de montaje directamente sobre la ubicación de la campana de la estufa.
2. Fije el conjunto del soporte en el cielo raso usando (2) tornillos de montaje de 4.8 x 38 mm y taquetes para placa de yeso. Asegúrese de que el soporte quede presionado sobre la esquina, pegado contra la pared y centrado sobre la campana.

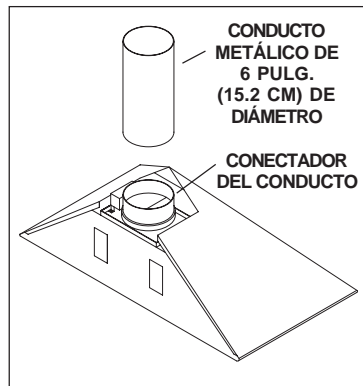


# PREPARACIÓN DE LA CAMPANA

## SÓLO CONFIGURACIÓN CON CONDUCTO

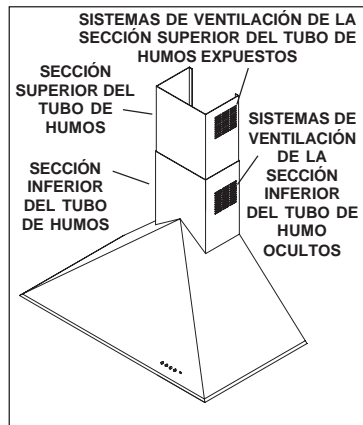
**Nota:** En campanas de acero inoxidable, quite cuidadosamente la película plástica protectora de todas las superficies exteriores de la campana y del tubo de humos decorativo antes de la instalación final.

1. Instale el tramo adecuado de conducto metálico Redondo de 6 pulg. (15.2 cm) al conector del conducto de la campana de la estufa.
2. Coloque cinta para conductos en todas las uniones para asegurarlas y hacerlas herméticas.
3. Coloque con cuidado la sección inferior del tubo de humos decorativo en el área empotrada de la superficie de la campana para la estufa.
4. Deslice con cuidado la sección superior del tubo de humos decorativo en el interior de la sección inferior del tubo de humos decorativo.



**Nota:** En cielos rasos de 8 pies (244 cm) los sistemas de ventilación de la sección superior del tubo de humos quedan ocultos al instalar el tubo de humos con los sistemas de ventilación hacia abajo.

En cielos rasos de 9 pies (274 cm), los sistemas de ventilación de la sección superior del tubo de humos quedarán expuestos después de la instalación.



# PREPARACIÓN DE LA CAMPANA

## SÓLO CONFIGURACIÓN SIN CONDUCTO

**Nota:** En campanas de acero inoxidable, quite cuidadosamente la película plástica protectora de todas las superficies exteriores de la campana y del tubo de humos decorativo antes de la instalación final.

**Nota:** se deben comprar los siguientes materiales para las instalaciones de recirculación sin conductos.

- Pleno de recirculación sin conducto, número de pieza SB08089123
- Conducto de aluminio flexible / extensible de 6 pulg. (15.2 cm) de diámetro
- Broca giratoria de 1/16 pulg. (1.6 mm) de diámetro
- Filtro recirculante modelo FILTERK3490CM (para campanas de 90 cm de ancho) o FILTERK3448 (para campanas de 48 pulg. (121.9 cm) de ancho).

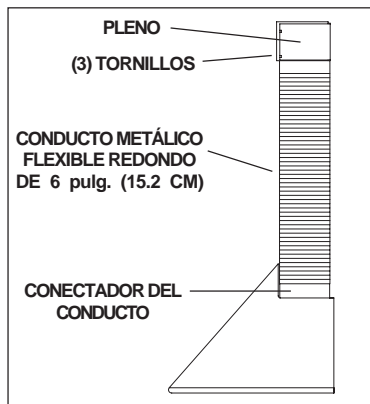
**Precaución:** Use conducto metálico flexible. No use conducto de plástico ni de metal rígido.

1. Determine la longitud del conducto metálico flexible comprimido usando la siguiente formula:

39 pulg. (99 cm) **MENOS** Distancia sobre la superficie de la estufa. **MÁS** 12 pulg. (30.5 cm) si la altura del cielo raso es de 9 pies (274 cm) = Longitud comprimida del conducto de aluminio flexible

*Hoja de trabajo:* 39 pulg. (99 cm) - \_\_\_\_\_ + \_\_\_\_\_ (sólo para cielo raso de 9 pies [274 cm]) = \_\_\_\_\_

2. Quite y deseche las aletas del regulador de tiro del interior del conector de conductos de la campana.
3. Conecte un conducto metálico flexible de 6 pulg. (15.2 cm) en el conector del conducto de 6 pulg. (15.2 cm) de la campana. Coloque cinta para conductos en todas las uniones.
4. Monte el pleno de recirculación en el conducto flexible.
5. Haga con el taladro tres orificios de 1/16 pulg. (1.6 mm) de diámetro separados a una distancia igual a través del conducto y del conector del conducto en el pleno de recirculación.

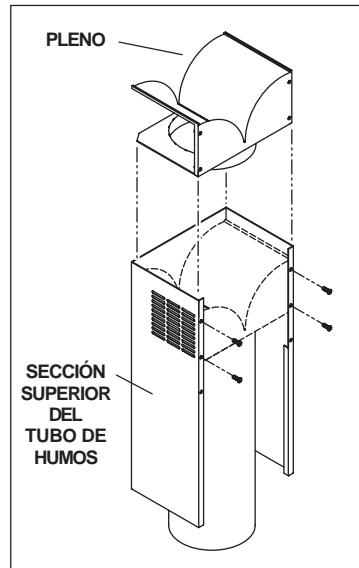


6. Fije el conducto en el conector del pleno con (3) tornillos autorroscantes. Coloque cinta de aluminio para conductos en todas las uniones.

## PREPARACIÓN DE LA CAM-PANA (CONTINUACIÓN)

### ***SÓLO CONFIGURACIÓN SIN CONDUCTO***

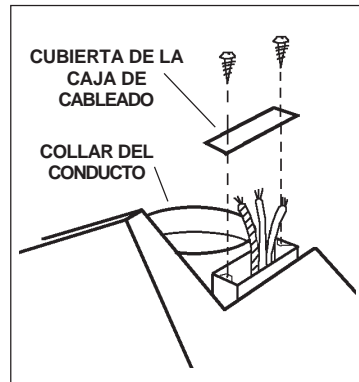
7. Coloque con cuidado la sección inferior del tubo de humos en el área empotrada de la campana para la estufa.
8. Deslice con cuidado la sección superior del tubo de humos en el interior de la sección inferior del tubo de humos.
9. Fije el pleno de recirculación en la sección superior del tubo de humos con (4) tornillos de cabeza plana.



## CONEXIÓN ELÉCTRICA

**Nota:** Esta campana debe estar adecuadamente conectada a tierra. La unidad debe ser instalada por un electricista calificado de acuerdo con todos los códigos eléctricos nacionales y locales aplicables.

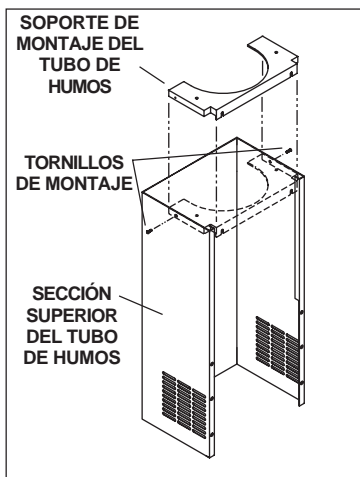
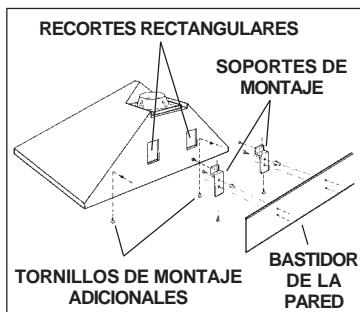
1. Quite la cubierta de la caja de cableado. Quite un agujero ciego de la caja de cableado.
2. Alimente 6 pulg. (15.2 cm) de cable a través de la abertura del agujero ciego y fije el cable en la caja de cableado con un conector apropiado.
3. Haga las conexiones eléctricas. Conecte blanco con blanco, negro con negro y verde con verde.
4. Vuelva a colocar la cubierta de la caja de conexiones y los tornillos. Asegúrese de que los alambres no queden atrapados entre la cubierta y la caja.



## INSTALACIÓN DE LA CAMPANA

Nota: se requieren al menos dos personas para montar la campana.

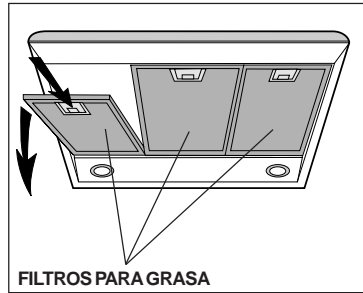
1. Eleve la campana hasta su posición de montaje.
2. Alinee las aberturas rectangulares que se encuentran en la parte posterior de la campana con los soportes de montaje en la pared. Lentamente baje la campana hasta que se fije con seguridad en el soporte.
3. Nivele la campana y fíjela con (2) tornillos de montaje. Use los taquetes para placa de yeso que se proporcionaron si no hay disponibles montantes o un bastidor.
4. Eleve la sección superior del tubo de humos hasta que sus orificios queden alineados con los orificios del soporte de montaje del tubo de humos (ubicado en el cielo raso).
5. Fije el tubo de humos con (2) tornillos de montaje.



## INSTALACIÓN DE FILTROS

### SÓLO CONFIGURACIÓN CON CONDUCTO

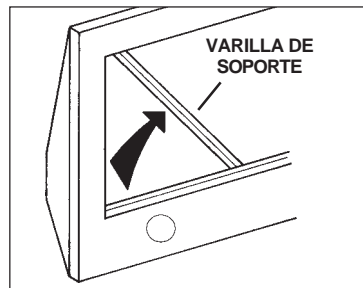
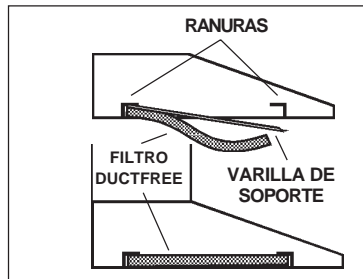
1. Para quitar el filtro para GRASA, sujete la lengüeta del cierre y hálela hacia abajo. Luego quite el filtro de la campana. Incline el filtro hacia abajo y quítelo.
2. Para instalar el filtro para GRASA, alinee las lengüetas posteriores del filtro con las ranuras de la campana. Hale hacia abajo la lengüeta del cierre, presione el filtro en su posición y libere. Asegúrese de que el filtro esté seguramente instalado después de la instalación.



## INSTALACIÓN DEL FILTRO DUCTFREE

### SÓLO CONFIGURACIÓN SIN CONDUCTO

1. Compre un juego de filtro ductfree (modelo N.º FILTERK3490CM o FILTERK3448) de su distribuidor.
2. Quite los filtros para grasa presionándolos hacia atrás para comprimir los resortes de retención, luego incline los filtros hacia abajo sacándolos de la ranura frontal.
3. Sujetando el filtro ductfree por uno de sus lados, introduzca una de las varillas de soporte (se proporcionan con los filtros) en la ranura superior que se encuentra en la parte posterior y que corre paralela con la parte frontal de la campana, a fin de evitar que el filtro sea aspirado hacia el motor.
4. Doble el filtro e insértelo en la parte frontal.





## PIEZAS DE REPUESTO

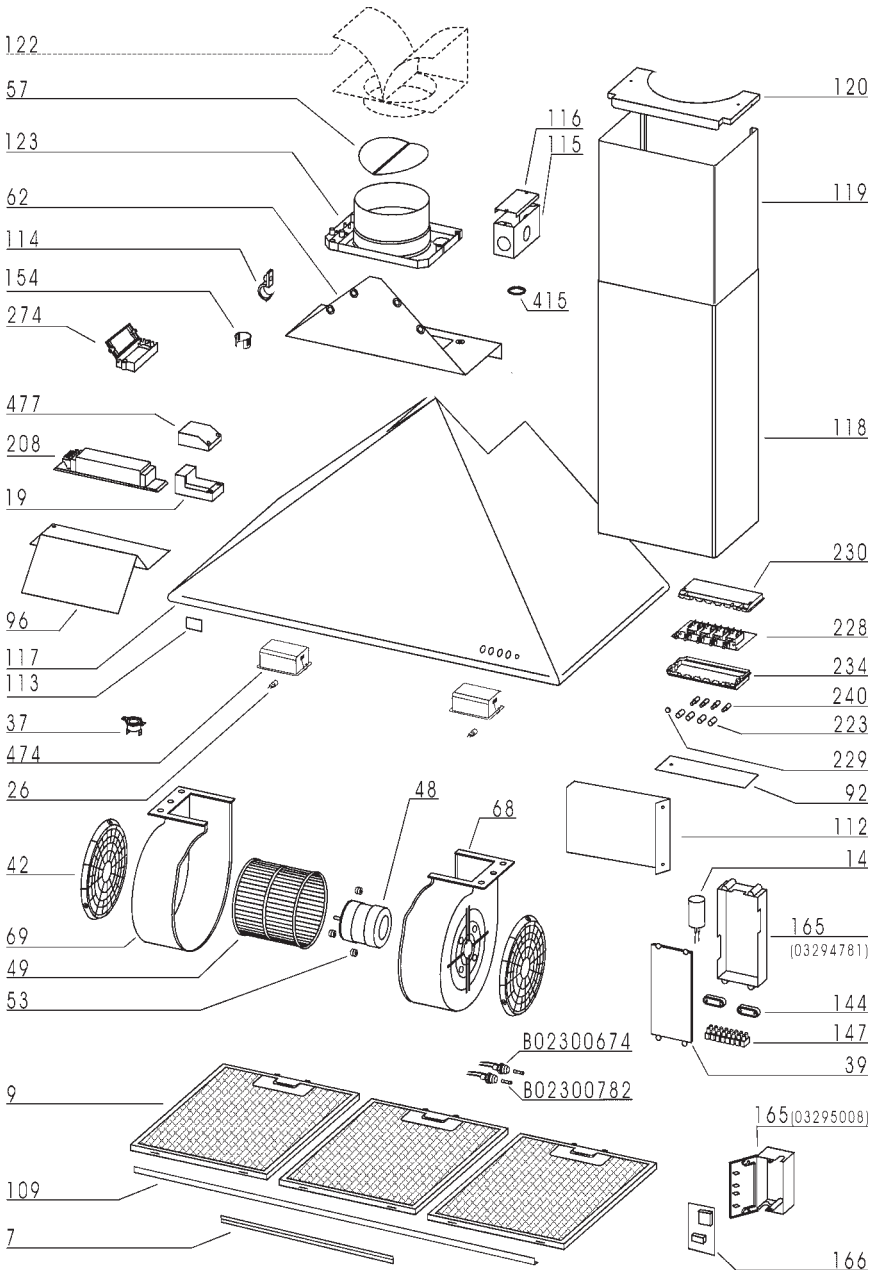
**MODELO K29** - Se muestran las piezas para los modelos de acero inoxidable. Si desea piezas de repuesto para los modelos negro o blanco, llame al Departamento de Servicio al Cliente de Broan.

CLAVE N°.	PIEZA N°.	DESCRIPCIÓN
9	B08087163	Filtro para grasa
14	B02300233	Capacitor del motor
19	B03295005	Caja de terminales
26	B02300891	Bombilla para la lámpara de halógeno
37	B02300787	Termostato Heat Sentry
39	B03294033	Cubierta de la caja del tablero de control
48	B02310201	Motor
49	B03295071	Rodete del ventilador
53	B03202007	Arandela de caucho
57	B02000756	Aleta del regulador de tiro
62	B08088597	Tapa de montaje del ventilador
68	B02000295	Cubierta del ventilador derecho
69	B02000296	Cubierta del ventilador izquierdo
96	BE3245849	Soporte del compensador
109	BE3342578	Canal del filtro, frontal (modelos de 48 pulg.)
109	BE3333676	Canal del filtro, frontal (modelos de 90 cm)
112	BE3345848	Soporte de la caja eléctrica
113	B08091852	Placa del fabricante
115	BE3335228	Caja de cableado
116	BE3334252	Cubierta de la caja de cableado
118	BE3342581	Sección inferior del tubo de humos decorativo
119	BE3342582	Sección superior del tubo de humos decorativo
120	B03292118	Soporte de montaje del tubo de humos
123	B03292283	Conector del conducto
144	B03292287	Pinza de alambre
147	BR2300135	Bloque de terminales
154	B03202286	Cable
166	B08086668	Tablero de control
208	B02300792	Transformador (modelos de 48 pulg.)
208	B02300783	Transformador (modelos de 90 cm)
223	B03200351	Conmutador
229	B03201014	Lentes de la lámpara
240	B03292301	Activador del conmutador
274	B03295035	Caja de fusibles
474	B02300719	Cubierta de la lámpara de halógeno
477	B03295006	Cubierta del terminal
*	B06002017	Conjunto del ventilador (incluye Claves N.º 42, 48, 49, 53, 68, 69)
*	B06107659	Conjunto del tablero de control (incluye Claves N.º 14, 39, 144, 147, 165, 166)
*	B06107657	Conjunto de la caja del conmutador (modelos de 48 pulg.) (Incluye las claves N.º 92, 223, 228, 230, 234, 240)
998	B08081189	Paquete de herraje
-	B02300782	Fusible
-	B02300674	Portafusibles

\* No se muestra montado.

# PIEZAS DE REPUESTO

## MODELO K29



# WARRANTY

---

## **GARANTIA BROAN LIMITADA POR UN AÑO**

Broan garantiza al consumidor comprador original de sus productos que dichos productos carecerán de defectos en materiales o en mano de obra por un período de un año a partir de la fecha original de compra. NO EXISTEN OTRAS GARANTIAS, EXPLICITAS O IMPLICITAS, INCLUYENDO, PERO NO LIMITADAS A, GARANTIAS IMPLICITAS DE COMERCIALIZACION O APTITUD PARA UN PROPOSITO PARTICULAR.

Durante el período de un año, y a su propio criterio, Broan reparará o reemplazará, sin costo alguno cualquier producto o pieza que se encuentre defectuosa bajo condiciones normales de servicio y uso.

ESTA GARANTIA NO SE APLICA A TUBOS Y ARRANCADORES DE LAMPARAS FLUORESCENTES. Esta garantía no cubre (a) mantenimiento y servicio normales o (b) cualquier producto o piezas que hayan sido utilizadas de forma errónea, negligente, que hayan causado un accidente, o que hayan sido reparadas o mantenidas inapropiadamente (por otras compañías que no sean Broan), instalación defectuosa, o instalación contraria a las instrucciones de instalación recomendadas.

La duración de cualquier garantía implícita se limita a un período de un año como se especifica en la garantía expresa. Algunos estados no permiten limitaciones en cuanto al tiempo de expiración de una garantía implícita, por lo que la limitación antes mencionada puede no aplicarse a usted.

LA OBLIGACION DE BROAN DE REPARAR O REEMPLAZAR, SIGUIENDO EL CRITERIO DE BROAN, DEBERA SER EL UNICO Y EXCLUSIVO RECURSO LEGAL DEL COMPRADOR BAJO ESTA GARANTIA. BROAN NO SERA RESPONSABLE POR DAÑOS INCIDENTALES, CONSIGUIENTES, O POR DAÑOS ESPECIALES QUE SURJAN A RAIZ DEL USO O DESEMPEÑO DEL PRODUCTO. Algunos estados no permiten la exclusión o limitación de daños incidentales o consiguientes, por lo que la limitación antes mencionada puede no aplicarse a usted.

Esta garantía le proporciona derechos legales específicos, y usted puede también tener otros derechos, los cuales varían de estado a estado. Esta garantía reemplaza todas las garantías anteriores.

Para calificar en la garantía de servicio, usted debe (a) notificar a Broan al domicilio ou número teléfono abajo, (b) dar el número del modelo y la identificación de la pieza, y (c) describir la naturaleza de cualquier defecto en el producto o pieza. En el momento de solicitar servicio cubierto por la garantía, usted debe de presentar evidencia de la fecha original de compra.

**BEST BY BROAN**, P.O. Box 140 Hartford, Wisconsin 53027 (1-800-637-1453)



## Free Manuals Download Website

<http://myh66.com>

<http://usermanuals.us>

<http://www.somanuals.com>

<http://www.4manuals.cc>

<http://www.manual-lib.com>

<http://www.404manual.com>

<http://www.luxmanual.com>

<http://aubethermostatmanual.com>

Golf course search by state

<http://golfingnear.com>

Email search by domain

<http://emailbydomain.com>

Auto manuals search

<http://auto.somanuals.com>

TV manuals search

<http://tv.somanuals.com>