

Belshaw

Operator's Manual

Serial # W 06060001 - on

Gas Fryer Models 718LCG, 724CG, and 734CG

If you accept the machine from the shipping company, you are, in effect, saying that the machine is in good condition, and you must pay for the machine. Belshaw cannot pay for shipping damage, because the freight company has accepted the machine from Belshaw in good condition, and is responsible for its safe delivery. **For your protection,** inspect the machine to see that no parts are bent, scratched, or otherwise damaged. If any damage has occurred in shipping, file a freight claim with the shipping company immediately.

IMPORTANT

Keep this manual for future reference.

To unpack the fryer and transport it to the workstation:

1. Use a fork lift to transport the shipping crate to the work station.
2. Break down the shipping crate.
3. Remove all the packing materials from the fryer. These include foam, tape, brown paper, plastic, and white protective coating.
4. Position the fryer to allow sufficient space on either end of the machine for any equipment you plan to use with it.

EQUIPMENT RECORD

Please provide the information below when you correspond with us about your machine.

Purchased by _____

Installed by _____

Date of Installation _____

Model number _____

Serial number _____

0606

MN-1141EN

Belshaw Bros., Inc.

1750 22nd Avenue South

Seattle, WA 98144-4590 USA

Phone: (206) 322-5474 • Fax: (206) 322-5425

Toll Free: (800) 578-2547

E-mail: service@belshaw.com • <http://www.belshaw.com>

Contents

Sections

1	<i>Installation</i>	1
	Conforming to Codes	1
	Selecting a Workstation	1
	Unpacking the Fryer	2
	Initial Cleaning	2
	Assembling the Fryer	2
	Installing the Fryer	3
	Moving the Fryer	4
2	<i>Operation</i>	5
	Taking Safety Precautions	5
	Frying Donuts	5
3	<i>Cleaning</i>	8
	Removing the Shortening	8
	Washing	9
	Rinsing	10
4	<i>Maintenance</i>	11
5	<i>Troubleshooting</i>	17

Appendixes

A	<i>Pilot Module</i>	A-1
	Checkout	A-1
	Troubleshooting—General	A-4
	Troubleshooting the Ignition System	A-4

B Donut-Making Helps **B-1**

Tips on Making Quality Cake Donuts	B-1
Calculating Correct Water Temperature	B-2
Ratios of Plunger Sizes to Donut Weights	B-2
Temperature Conversion	B-2

C Parts Lists **C-1**

Limited Warranty **Insert**

Preface

The 718LCG, 724CG, and 734CG Gas Fryers are designed to fry cake and yeast-raised donut products. Each must be bolted to a flat, dry floor. The operator should stand opposite the flue stack.

The operator must work safely at all times and read this manual and follow its instructions and warnings. A thorough understanding of how to install, maintain, and safely operate the fryer will prevent production delays and injuries

Heed the following warnings and all other warnings that appear in this manual:

- Make sure the machine is bolted securely to the floor. Doing so will prevent the machine from moving, tipping, or falling, which could cause serious injury.
- Never let water and hot shortening come in contact with each other. Moisture causes hot shortening to spatter, which may cause serious burns.
- Do not overfill the kettle with shortening. If shortening overflows the kettle, it could cause serious burns or could cause someone to slip on the floor and be seriously injured.
- Hot shortening can cause serious burns. Make sure that the system and the shortening are cool before attempting any cleaning, adjustment, disassembly, or repair.
- To avoid electrocution or other injury, unplug the machine before attempting any cleaning, adjustment, disassembly, or repair.

- To avoid damaging the machine, never use force to assemble, disassemble, operate, clean, or maintain it.
- Be careful never to get shortening, water, or other materials on the floor. If anything does get spilled on the floor, mop it up immediately. Materials on the floor can cause people to slip or fall, resulting in serious injury or loss of life.
- To prevent unintentional startup and possible fire, unplug the machine if there is a local power outage. When the power is restored, it is safe to plug the machine in again.
- To avoid electrocution, make sure that all electrical cords are not frayed or cracked and that they do not pass through any water or shortening.
- Make sure that all electrical cords are routed so that no one will trip over them.
- Make sure you are aware of the following:

This product contains chemicals known to the State of California to cause birth defects or other reproductive harm. Operation, installation and servicing of this product could expose you to carbon monoxide if not adjusted properly. Inhalation of carbon monoxide is known to the State of California to cause birth defects or other reproductive harm. Maintenance and repairs shall only be carried out by a factory representative or qualified service personnel.

- LPG/LNG Conversion:

Contact Belshaw Brothers at 1-800-578-2547 to obtain necessary parts and instructions.

In a prominent location, post instructions to be followed in the event the user smells gas. Obtain this information by consulting your local gas supplier.

FOR YOUR SAFETY

Do not store or use gasoline or other flammable vapors or liquids in the vicinity of this or any other appliance.

WARNING

Improper installation, adjustment, alteration, service or maintenance can cause property damage, injury or death. Read the installation, operating and maintenance instructions thoroughly before installing or servicing this equipment.

Conforming to Codes

The installation of this fryer must conform with local codes, or in the absence of local codes, with the National Fuel Gas Code (ANSI Z223.1-1992), with the Natural Gas Installation Code (CAN/CGA-B149.1), or with the Propane Installation Code (CAN/CGA-B149.2), including:

- The fryer and its individual shutoff valve must be disconnected from the gas supply piping system during any pressure testing of that system at test pressures in excess of 1/2 psig (3.45 kPa).

- The fryer must be isolated from the gas supply piping system by closing its individual manual shutoff valve during any pressure testing of the gas supply piping system at test pressures equal to or less than 1/2 psig (3.45 kPa).

The fryer, when installed, must be electrically grounded in accordance with local codes, or in the absence of local codes, with the National Electrical Code, ANSI/NFPA 70, or with the Canadian Electrical Code, CSA C22.1, as applicable.

WARNING

Electrical Grounding Instructions

This appliance is equipped with a three-prong (grounding) plug for your protection against shock hazard and should be plugged directly into a properly grounded three-prong receptacle. Do not cut or remove the grounding prong from this plug.

Selecting a Workstation

The room in which the fryer is to be used should provide enough air for combustion. A ventilation hood with grease filters must be used with the fryer. The hood must be installed and operated in conformance with all applicable fire codes and emissions standards.

Maintain these clearances between the sides and back of the fryer to combustible materials:

- Sides—2 inches; and
- Back—2 inches.

The workstation should allow at least 2”/5 cm clearance between the machine and all construction, whether combustible or noncombustible. In addition, it should allow access to the rear of the fryer for cleaning and servicing.

Unpacking the Fryer

1. Use a fork lift to transport the shipping crate to the work station.
2. Break down the shipping crate.
3. Remove all the packing materials from the fryer. These include foam, tape, brown paper, plastic, and white protective coating.
4. Position the fryer to allow sufficient space on either end of the machine for any equipment you plan to use with it.

Initial Cleaning

Clean your fryer before using it. Wipe the inside of the kettle with a soft, damp cloth. Dry the kettle thoroughly.

WARNING

To avoid electrocuting yourself or damaging the machine, never allow water, steam, cleaning solution, or other liquid to enter the electrical box.

WARNING

Never let water and hot shortening come in contact with each other. Moisture causes hot shortening to spatter, which may cause serious injury. Prior to use, make sure the kettle and any other parts you have washed are dry.

Assembling the Fryer

1. Install the flue stack as follows:
 - a. Slide the flange on the bottom of the flue stack underneath the retaining strip on the flue base. The mounting holes must line up. (See Figure 1-1.)
 - b. Fasten the flue stack to the flue base using the two pan-head sheet metal screws provided.

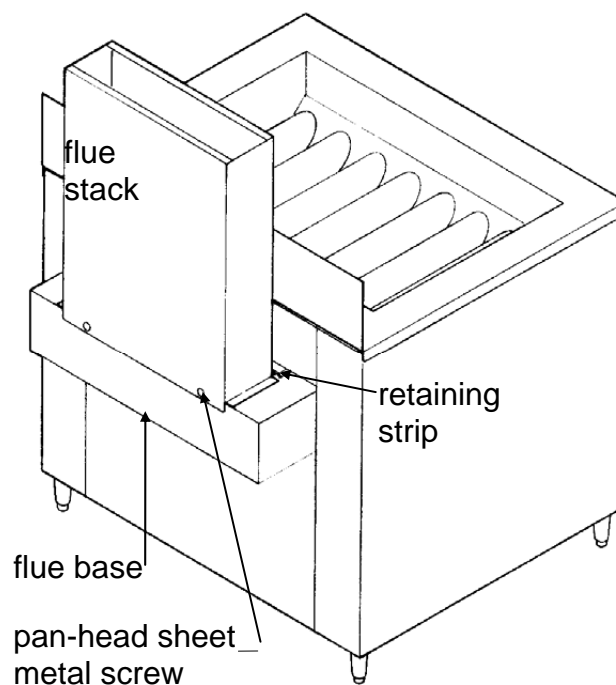


Figure 1-1. Installing the Flue Stack.

2. Attach the heat shield to the splash shield as follows:
 - a. Slide the flanges on the sides of the heat shield under the bent edges of the splash shield. The mounting holes must line up.
 - b. Fasten the heat shield to the splash shield using the 10-24 x 3/8” hex-head screws, lockwashers, and nuts provided. The screws go through the front of the splash shield; the lockwashers and nuts go on the back of the heat shield.

3. Put the heat shield and splash shield on the fryer. They slide over the flue stack, and the back of the kettle slides between the heat shield and the splash shield. The mounting holes in the heat shield and the fryer cabinet must line up. See Figure 1-2.

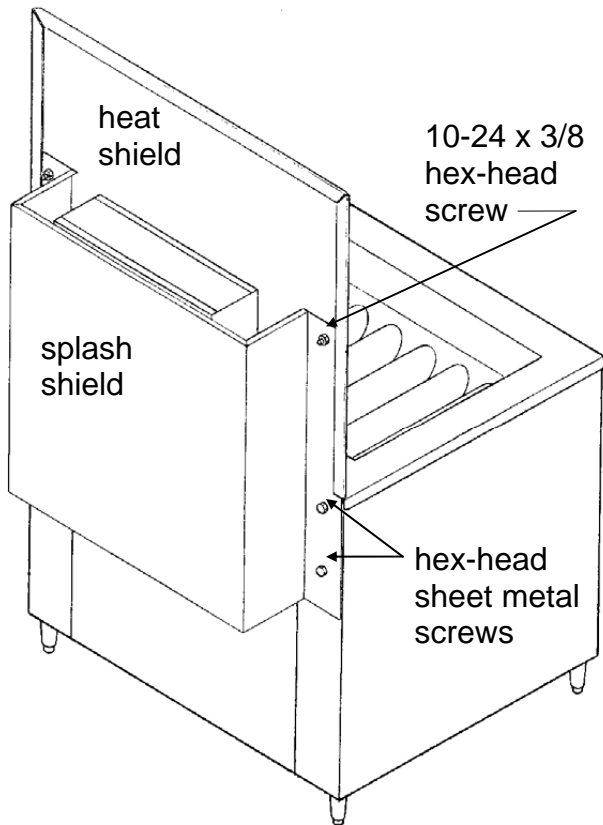


Figure 1-2. Installing the Heat Shield and Splash Shield.

4. Fasten the heat shield to the fryer cabinet using the four hex-head tek screws provided.

Installing the Fryer

1. Make sure the power requirements of the machine, found on the data plate, match your power source.
2. Using a fork lift or pallet jack, lift the fryer cabinet and screw each leg in as far as it will go.
3. Set the fryer cabinet on a flat, dry floor.

4. Level the fryer. Follow these steps:
 - a. Check to see if the fryer is level. To do so, place a level across the top of the fryer cabinet.
 - b. If the fryer is not level, lift the fryer using a fork lift or pallet jack, and turn the legs to adjust them.
 - c. Using the fork lift or pallet jack, lower the fryer to the floor. Be sure that all the legs rest on the floor when the fryer is level.
5. Bolt the fryer to the floor. The foot of each leg has two holes in it for this purpose.

WARNING

To avoid serious burns, other injury, or death, make sure the fryer is securely fastened to the floor so it will not tip or fall over.

6. If you want to perform pressure testing on the building's gas supply system at pressures greater than 0.5 psig/3.45 kPa, do so now, before you connect the fryer to the gas supply.

CAUTION

To avoid damaging the fryer, do not perform pressure testing on the building's gas supply system at pressures greater than 0.5 psig/3.45 kPa when the fryer is connected to the that system.

7. Connect the fryer to the gas supply, as follows:
 - a. Make sure the gas line to the fryer is the right size. If it is too small, the gas pressure at the burner manifold will be too low, resulting in slow heat recovery, delayed ignition, and pilot outage. (The

gas supply line on the fryer itself is 1/2"/1.3 cm I.P.S.)

- b. Connect the fryer to the building's gas supply.
- c. Seal all threaded joints between gas pipes with pipe joint compound. You must use a compound that resists the action of liquefied petroleum (LP) gases.
- d. Bleed the gas lines of all air.
- e. Check all gas connections and fittings for leaks using a gas leak detector, a soap solution, or a similar substance. When such a substance is applied to connections and fittings, bubbles indicate gas leaks.

WARNING

To avoid a fire or an explosion which would cause serious burns or death, never use an open flame to check connections for gas leaks.

8. If you want to perform pressure testing on the building's gas supply system at pressures at or below 0.5 psig/3.45 kPa, you may do so now. Before testing, make sure the fryer's individual manual shutoff valve is closed.
9. Connect the fryer to a properly grounded power source.

WARNING

This appliance is equipped with a three-prong (grounding) plug for your protection against shock hazard and should be plugged directly into a properly grounded three-prong receptacle. Do not cut or remove the grounding prong from this plug.

Moving the Fryer

If you ever want to move the fryer to a different workstation, follow this procedure:

1. Turn off the fryer and disconnect it from the power source.
 2. Disconnect the machine from the gas supply.
 3. Allow the machine and the shortening to cool.
4. Remove the shortening from the fryer as explained in "Removing the Shortening" in Section 3.

WARNING

Do not touch hot shortening. It can cause serious burns.

WARNING

To avoid burns, falls, other injury, or death, never attempt to move the fryer when it has shortening or other liquid in it.

WARNING

Thoroughly clean and dry the floor if shortening is spilled. Materials on the floor can cause people to slip or fall, resulting in serious injury or loss of life.

5. Remove the bolts that secure the fryer to the floor.
6. Using a fork lift, transport the machine to the new workstation.
7. Level the fryer, bolt it to the floor, connect it to the gas line, and connect it to the power source, as explained in "Installing the Fryer" above.

Taking Safety Precautions

In a prominent location, post information about what to do if there is a gas leak. Make sure that all employees know what to do.

WARNING

To avoid the possibility of fire, explosion, property damage, serious burns, and even death, never store gasoline or any other flammable liquid or vapor near the fryer.

WARNING

To avoid serious injury or death, if you smell gas or suspect a gas leak, proceed as follows: 1. Turn off the gas. 2. Evacuate the building. 3. Do not touch any electrical switch or telephone until you are sure no spilled gas remains.

Frying Donuts

WARNING

To avoid serious injury or death, before you begin working, make sure that there is no combustible material in the area of the fryer.

Read each step **completely** before doing what it tells you to do.

1. If you are frying yeast-raised donuts, install the proofer or feed table. Refer to the

proofer or feed table manual for complete installation and operation instructions.

2. Make sure the drain valve is closed.
3. Put enough shortening in the kettle to completely cover the burner tubes, thermocouple, and high-temperature limit control probe.

Put shortening in the kettle using one of these methods:

- If you have a Belshaw Shortening Melter (FM) attached to the fryer, use the FM to melt shortening and transfer it to the kettle. See the FM manual.

WARNING

Hot shortening causes severe burns.

- Melt shortening in a pan on the stove and pour it into the kettle.
- Put solid shortening into the kettle, packing it tightly around the burner tubes.

WARNING


Air spaces can cause the shortening to overheat and catch on fire.

CAUTION

To avoid severe damage to the kettle, never turn on the heat unless the heat tubes are completely covered by liquid.

4. Move the on/off switch to the OFF position.
5. Rotate the gas control knob counterclockwise to the ON position.
6. Move the on/off switch to the ON position.

The yellow pilot light near the on/off switch and the red pilot light on the fryer cabinet will both light up.

7. Push the  button on the digital controller, "SP1" will light up. This is the set point. Push the up and down arrows to adjust the convection heat set point. See Figure 4-4. Push "R" button to return to operational mode.

If the pilot fails to ignite within a certain length of time, the gas system will go into safety lock-out. If this happens, move the on/off switch to OFF, wait at least one minute, and then move the on/off switch to ON again.

WARNING

Failure to wait at least one minute for the gas to dissipate could result in a fire or an explosion when the pilot is lighted again.

If the shortening temperature exceeds 435°F/224°C, the high-temperature limit control will break the circuit, and the electrical and gas systems will shut off.

If this happens, follow these steps to reset the system:

- a. Move the on/off switch to the OFF position.
 - b. Wait for the shortening to cool to 385°F/196°C or below. You will not be able to ignite the pilot until the shortening reaches this temperature.
 - c. Move the on/off switch to the ON position.
8. Continue adding shortening to the kettle until it reaches the proper depth for frying.

Use one of the following methods. For safety reasons, we recommend the first method, and discourage you from using any other method.

- Use a Belshaw Shortening Melter (FM) to melt shortening and transfer it to the kettle. See the FM manual.
- Melt shortening in a pan on the stove and pour it into the kettle.
- Very carefully put solid shortening into the kettle.

WARNING

To avoid serious burns, be very careful not to splatter hot shortening when you add shortening to the kettle.

Because shortening expands as it increases in temperature, put shortening in the kettle gradually. Let the shortening in the kettle heat up before you add more.

9. Wait for the shortening to reach the desired temperature.

WARNING

To avoid serious burns, when the fryer is operating, do not touch the flue, exhaust manifold, stacks, gas burners, or any part of the fryer that is in contact with hot shortening. Keep clear from the area above the flue outlet.

10. If you are frying cake or French donuts, move the cutter into place over the fryer. Refer to the cutter manual for complete installation and operation instructions.

If you are frying yeast-raised donuts using a feed table, load proofing cloths on the feed table. Refer to the feed table manual for complete installation and operation instructions.

CAUTION

To avoid damaging the machine, do not operate the conveyor until all the shortening has melted.

11. Continue supplying shortening to the kettle as required. Keep the kettle filled up to the “Oil Level” marks on the side.
12. When you are done frying donuts, move the on/off switch to the OFF position.

3

Cleaning

For your safety, observe the following warnings throughout the entire cleaning process.

WARNING

Thoroughly clean and dry the floor if shortening, water, or other materials are spilled. Materials spilled on the floor can cause serious injury or loss of life.

WARNING

To avoid electrocuting yourself or damaging the machine, never allow water, steam, shortening, cleaning solution, or any other liquid to enter the electrical box.

WARNING

To avoid serious burns while cleaning, do not touch the flue, exhaust manifold, stacks, gas burners, or any part of the fryer that is in contact with hot liquids.

There are four basic steps to cleaning the fryer: removing the shortening, washing, rinsing, and drying. You must perform all four steps and perform them in the order listed.

Removing the Shortening

WARNING

To avoid being burned or electrocuted, disconnect the fryer from the power source before cleaning it.

1. Disconnect the machine from the power source.
2. Let the shortening cool to 100°F/38°C.
3. Place a Belshaw Shortening Filter or a large metal container under the drain valve of the fryer.

WARNING

Do not use a plastic container. If the shortening is not cool enough, the container will melt, possibly causing you to be burned, and causing shortening to get on the floor.

4. Open the drain valve by turning the drain valve extension knob on the side of the fryer cabinet. Allow all the shortening to drain into the Shortening Filter or metal container.
5. If you are using a metal container, watch it to make sure the shortening does not overflow. If the container becomes full, close the drain valve, put another metal container under the drain valve, and open the drain valve again.

WARNING

Do not allow the shortening to overflow the containers. Shortening will get on the floor, and if the shortening is not cool enough, you may be burned.

WARNING

Thoroughly clean and dry the floor if shortening is spilled. Shortening on the floor can cause serious injury or loss of life.

- Using a non-abrasive, non-metallic spatula, scrape the sediment and any remaining shortening into the drain valve.

WARNING

To avoid fire, serious injury, and equipment damage, do not attempt to burn carbon off of the heat tubes.

- Close the drain valve.
- If your fryer has a Belshaw Shortening Melter (FM) connected to it, install the plug into the reservoir nipple.

Washing

- Pour hot water into the kettle, up to the normal level of the shortening. Add trisodium phosphate or another appropriate cleaner.

CAUTION

To avoid severe damage to the kettle, never turn on the heat unless the heat tubes are completely covered by liquid.

- Connect the fryer to the power source. Move the on/off switch to ON. Set the temperature control to 200°F/93°C. Keep the cleaning solution at this temperature for 15-20 minutes.
- Scrub the soiled parts while the solution is hot. Do not use any abrasive cleaners or scrapers.

WARNING

To avoid being burned, be very careful as you work with hot cleaning solution. Never put your hands in the solution. Wear gloves and long sleeves in case any solution splashes.

- Move the on/off switch to OFF and disconnect the fryer from the power source. Allow the cleaning solution to cool to 100°F/38°C.
- Place a large metal container under the drain valve.

WARNING

Do not use plastic containers. If the cleaning solution is not cool enough, the containers will melt; possibly causing you to be burned, and causing cleaning solution to get on the floor.

- Open the drain valve and allow the cleaning solution to drain into the container.
- Watch the container to make sure the cleaning solution does not overflow. If the container becomes full, close the drain valve, put another large metal container under the drain valve, and open the drain valve again.

WARNING

Do not allow the cleaning solution to overflow the containers. Cleaning solution will get on the floor, and if the solution is not cool enough, you may be burned.

- When the draining is complete, close the drain valve.
- Carefully carry the container(s) to the sink and slowly pour the solution into the sink.

WARNING

Thoroughly clean and dry the floor if cleaning solution is spilled. Liquid on the floor can cause serious injury or loss of life.

Rinsing

- Pour clean water into the kettle, up to the normal level of the shortening. If the cleaner you have used requires that you add a neutralizer, do so now.

CAUTION

To avoid severe damage to the kettle, never turn on the heat unless the heat tubes are completely covered by liquid.

- Connect the machine to the power source. Move the on/off switch to ON. Set the temperature controls at 200°F/93°C. Leave the water at this temperature for 5-10 minutes.
- Move the on/off switch to OFF and disconnect the machine from the power source. Allow the water to cool to 100°F/38°C.
- Place a large metal container under the drain valve.

WARNING

Do not use plastic containers. If the water is not cool enough, the containers will melt; possibly causing you to be burned, and causing cleaning solution to get on the floor.

- Open the drain valve and allow the water to drain into the container.
- Watch the container to make sure the water does not overflow the container. If the container becomes full, close the drain valve, put another large metal container under the drain valve, and open the drain valve again.

WARNING

Do not allow the water to overflow the containers. Water will get on the floor, and if the water is not cool enough, you may be burned.

- When the draining is complete, close the drain valve.
- Carefully carry the container(s) to the sink and slowly pour the water into the sink.

WARNING

Thoroughly clean and dry the floor if water is spilled. Water on the floor can cause serious injury or loss of life.

- Dry the kettle and burner tubes thoroughly.

WARNING

Dry the fryer thoroughly. Moisture causes hot shortening to spatter, which may cause serious injury.

SB-0308 rev 3

AFFECTS: OPEN KETTLE FRYERS





PURPOSE: PROGRAMMING THE OGDEN ETR-9000 TEMPERATURE CONTROLLER

NOTE: Use Rev. 3 to correct existing open Kettle Fryer settings.

(SP1L set to 0 & PB set to 0)

Operator Interface:

The operator interface on the Ogden ETR-9000, Temperature Controller, consists of the following:

- A scroll key  used to select a parameter to be viewed or adjusted.
- Up  and down  arrow keys are used to increase or decrease the selected parameter.
- A reset key  used to return to normal operation mode.

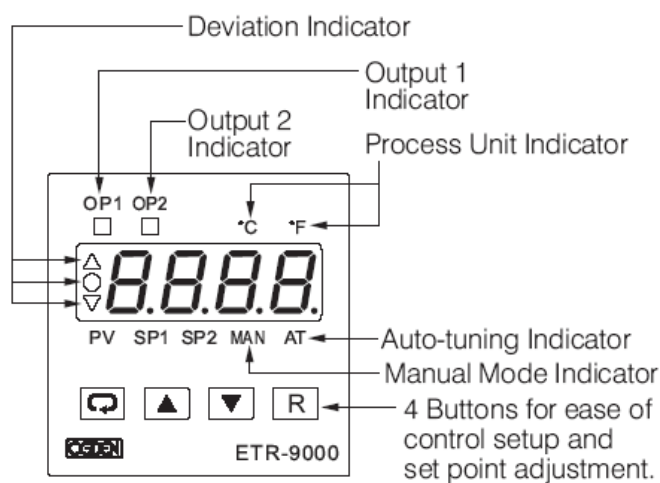
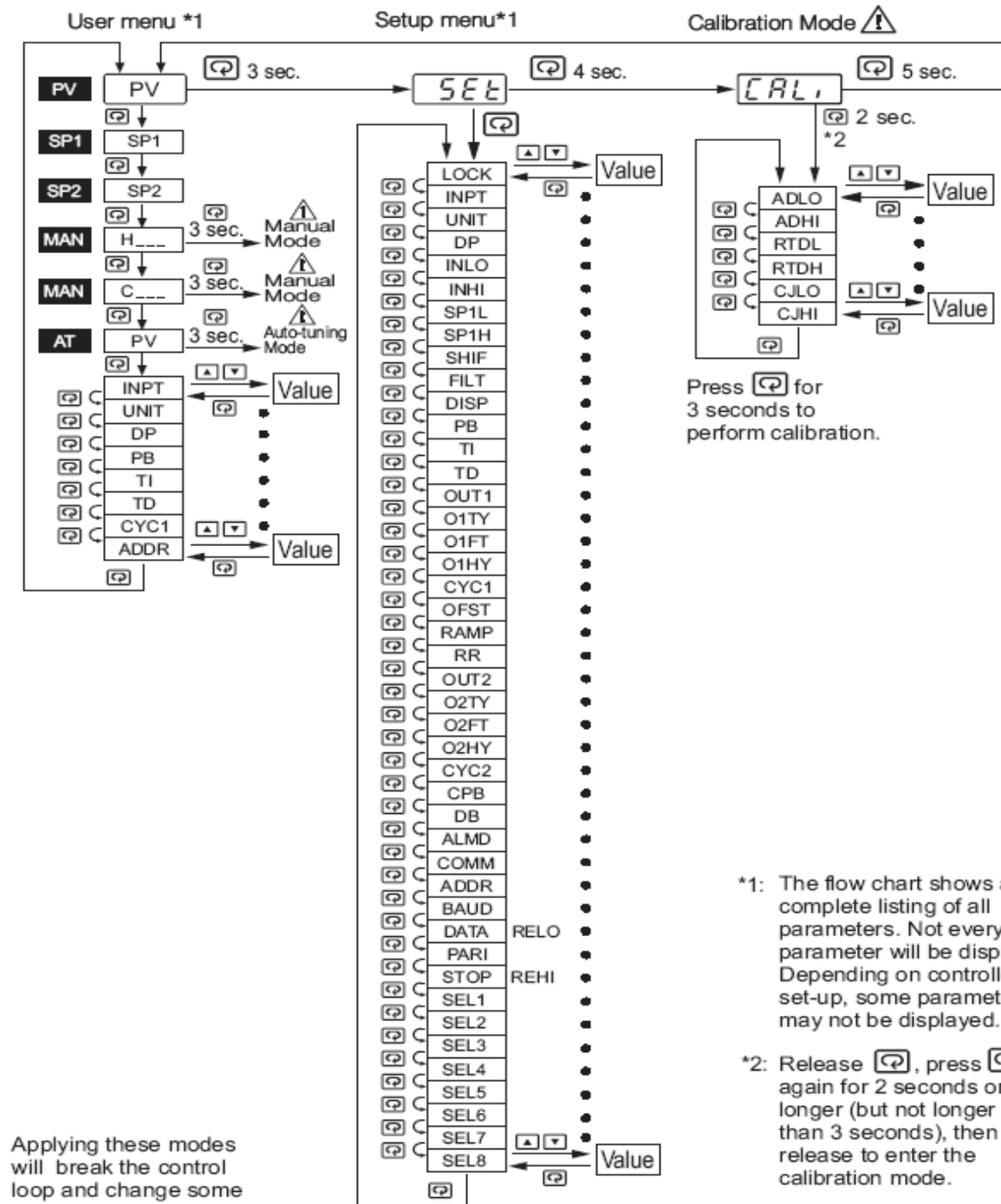


Figure 1 – Operator Interface Description

Menu Overview:

There are three main menus that contain parameters that require programming; they are User Menu, Setup menu, and Calibration Mode. The figure below (Figure 2) shows the sequence of operations necessary to access the programming parameters in each menu.










Applying these modes will break the control loop and change some of the previous setting data. Make sure that the system will tolerate these modes.





Figure 2 - Menu Flow Chart

Open Kettle Fryer Parameter Settings

Tables 1, 2 and 3 below list of the temperature controller default settings and the Belshaw Factory settings. When installing a new controller 4 of the default setting must be changed to the Belshaw Factory settings.

- Push and hold the scroll key  for 3 seconds, this will take you to the “SEt” menu.
- Push the scroll key  once to access the “Lock” parameter.
- Push the Up  or down  arrow keys to change “Lock” to “nonE”.
- Push the scroll key  to page through the settings and the Up  or down  arrow keys to change the settings listed in the Belshaw “Factory” column. (see tables 1, 2 and 3)

When finished setting parameters.

- Continue pushing the scroll key  until you are back to “Lock”.
- Push the Up  or down  arrow keys to set “Lock” to “uSEr”.
- Push the reset key  to return normal operation.

Default Settings:

In the event that parameters have been modified without recording the modifications, change each parameter to match those listed in Tables 1, 2 and 3 listed below (controller parameter default settings). Then adjust **SP1H**, **PB**, **OUT2** and the **Lock** parameters as listed in Belshaw “Factory” below. Then set **SP1** to 375°F.

Table 1 - Parameter Descriptions

Parameter Notation	Parameter Description	Range	Default Value	Set to
SP1	Set point for output 1	Low: SP1L High :SP1H	77.0 °F (25.0 °C)	375°F
SP2	Set point for output 2 when output 2 performs alarm function or dwell timer	Low: -19999 High :45536	18.0°F (10.0 °C)	
LOCK	Select parameters to be locked	0 nonE : No parameters are locked 1 SEt : Setup data is locked 2 uSEr : Setup and User data is locked Set point is un- locked 3 ALL : All data is locked	0	set to “uSEr” after setup
INPT	Input sensor selection	0 J-tC : J type T/C 9 Pt100 : PT 100 ohms DIN 1 K-tC : K type T/C 10 Pt100 : PT 100 ohms JIS 2 T-tC : T type T/C 11 4-20 : 4 - 20 mA 3 E-tC : E type T/C 12 0-20 : 0 - 20 mA 4 B-tC : B type T/C 13 0-60 : 0 - 60 mV 5 R-tC : R type T/C 14 0-1V : 0 - 1V 6 S-tC : S type T/C 15 0-5V : 0 - 5V 7 N-tC : N type T/C 16 1-5V : 1 - 5V 8 L-tC : L type T/C 17 0-10 : 0 - 10V	1 (0)	
UNIT	Input unit selection	0 C : Degree C unit 2 Pu : Process unit 1 F : Degree F unit	0 (1)	
DP	Decimal point selection	0 noDP : No decimal point 2 2-dP : 2 decimal digits 1 1-dP : 1 decimal digit 3 3-dP : 3 decimal digits	1	
INLO	Input low scale value	Low: -19999 High: 45486	0°F (-17.8 °C)	
INHI	Input high scale value	Low: INLO+50 High: 45536	200.0°F (93.3 °C)	
SP1L	Low limit of set point value	Low: -19999 High: 45536	0°F (-17.8 °C)	0°F
SP1H	High limit of set point value	Low: SP1L High: 45536	1000°F (537.8 °C)	410°F
SHIF	PV shift (offset) value	Low: -360.0 °F (-200.0 °C) High: 360.0 °F (200.0 °C)	0.0	
FILT	Filter damping time constant of PV (seconds)	0 0 : 0 4 2 : 2 8 30 : 30 1 02 : 0.2 5 5 : 5 9 60 : 60 2 05 : 0.5 6 10 : 10 3 1 : 1 7 20 : 20	2	
DISP	Normal display selection	0 PV : Display process value 1 SP1 : Display set point 1 value	0	
PB	Proportional band value	Low: 0 High: 932.0 °F (500.0 °C)	18.0 °F (10.0 °C)	0°F
TI	Integral time value	Low: 0 High: 1000 sec	100	
TD	Derivative time value	Low: 0 High: 360.0 sec	25.0	

Table 3 - Parameter Descriptions

Parameter Notation	Parameter Description	Range	Default Value	Set to
COMM	Communication function	0 <i>nonE</i> : No communication 1 <i>rTu</i> : Modbus RTU mode protocol 2 4-20 :4-20mA retransmission output 3 0-20 :0-20mA retransmission output 4 0-5V :0-5V retransmission output 5 1-5V :1-5V retransmission output 6 0-10 :0-10V retransmission output	1	
ADDR	Address assignment of digital communication	Low: 1 High: 255	—	
BAUD	Baud rate of digital communication	0 24 : 2.4 Kbits/s 4 192 : 19.2 Kbits/s 1 48 : 4.8 Kbits/s 5 288 : 28.8 Kbits/s 2 96 : 9.6 Kbits/s 6 384 : 38.4 Kbits/s 3 144 : 14.4 Kbits/s	2	
DATA	Data bit count of digital communication	0 7b, t : 7 data bits 1 8b, t : 8 data bits	1	
PARI	Parity bit of digital communication	0 EVEN : Even parity 2 <i>nonE</i> : No parity bit 1 odd : Odd parity	0	
STOP	Stop bit count of digital communication	0 1b, t : One stop bit 1 2b, t : Two stop bits	0	
RELO	Retransmission low scale value	Low: -19999 High: 45536	32.0 °F (0.0 °C)	
REHI	Retransmission high scale value	Low: -19999 High: 45536	212.0 °F (100.0 °C)	
SEL1	Select 1'st parameter for user menu	0 <i>nonE</i> : No parameter selected 9 <i>O1HY</i> : O1HY is put ahead 1 <i>LOCK</i> : LOCK is put ahead 10 <i>CYC1</i> : CYC1 is put ahead 2 <i>INPT</i> : INPT is put ahead 11 <i>OFST</i> : OFST is put ahead 3 <i>UNIT</i> : UNIT is put ahead 12 <i>RR</i> : RR is put ahead 4 <i>DP</i> : DP is put ahead 13 <i>O2HY</i> : O2HY is put ahead 5 <i>SHIF</i> : SHIF is put ahead 14 <i>CYC2</i> : CYC2 is put ahead 6 <i>PB</i> : PB is put ahead 15 <i>CPB</i> : CPB is put ahead 7 <i>TI</i> : TI is put ahead 16 <i>DB</i> : DB is put ahead 8 <i>TD</i> : TD is put ahead 17 <i>ADDR</i> : ADDR is put ahead	2	
SEL2	Select 2'nd parameter for user menu	Same as SEL1	3	
SEL3	Select 3'rd parameter for user menu	Same as SEL1	4	
SEL4	Select 4'th parameter for user menu	Same as SEL1	6	
SEL5	Select 5'th parameter for user menu	Same as SEL1	7	
SEL6	Select 6'th parameter for user menu	Same as SEL1	8	
SEL7	Select 7'th parameter for user menu	Same as SEL1	10	
SEL8	Select 8'th parameter for user menu	Same as SEL1	17	

5

Troubleshooting

If you have a problem with your fryer that you cannot solve, call your dealer or another qualified technician.

If your dealer cannot help you, please call Belshaw Bros. at (206) 322-5474. When you call, please specify the following:

- The model name of the machine.
- The serial number of the machine.
- The voltage, phase, and cycle of the machine.

CAUTION

If you perform repairs yourself or have them performed by anyone other than a service technician authorized by Belshaw Bros., you do so at your own risk.

WARNING

Disconnect the machine from the power source before disassembling, repairing, or wiring.

A

Pilot Module

This appendix contains supplemental information about the Honeywell S8600 Intermittent Pilot Module. The Belshaw 718LCG, 724CG, and 734CG gas fryers all use this module. Fryers using natural gas use the S8600F-1000. Fryers using propane use the S8600H-1014.

Belshaw provides this appendix as a courtesy to our customers. We deny any liability for the use of the information contained herein. All of the procedures explained below should be performed by qualified technicians.

Checkout

WARNING

To avoid fire or explosion, resulting in property damage, injury, or loss of life, if you smell gas or suspect a gas leak, turn off the gas at the manual service valve and evacuate the building. Do not try to light any appliance or touch any electrical switch or telephone in the building until you are sure no spilled gas remains.

WARNING

To avoid fire or explosion, resulting in property damage, injury, or loss of life, perform gas leak tests as explained in Steps 1 and 5 below at the time of initial installation and at any time work is done involving the gas piping.

Step 1: Perform Visual Inspection

1. Make sure the fryer's on/off switch is in the OFF position. Make sure all wiring connections are clean and tight. If they are not, correct them.
2. Move the on/off switch to ON.
3. Open the manual shutoff valves in the gas line to the fryer.
4. If the piping has been disturbed, perform a gas leak test ahead of the gas control, as follows:
 - a. Paint the pipe joints with a rich solution of soap and water. Bubbles in the solution indicate gas leaks.
 - b. If there are leaks, tighten the joints.
 - c. Test again for leaks.
 - d. Repeat this procedure until no leaks exist.

Step 2: Review the Normal Operating Sequence

Figure A-1 summarizes this information.

Trial for Ignition

When the fryer's thermostat calls for heat, the module energizes the first main valve operator. The first main valve opens, allowing gas to flow to the pilot burner. At the same time, the electronic spark generator in the module produces a spark pulse output of over 10,000 volts. The voltage generates a spark at the igniter-sensor that lights the pilot.

If the pilot does not light, or if the pilot flame current is not at least 1.0 μ A and steady, the

module will not energize the second main valve, and the main burner will not light. The S8600F, which is used on natural gas fryers, will continue to spark as long as the fryer's thermostat calls for heat or until the pilot lights.

The S8600H, which is used on propane fryers, provides 100 percent shutoff and safety lockout. Its ignition sparks only for a pre-set length of time (15 or 90 seconds, as stamped on the module). If the pilot does not light within the timed trial for ignition period, the module goes into safety lockout, de-energizing the first main valve operator, closing the first main pilot valve in the gas control, and stopping the flow of gas to the pilot. You must then set the fryer's thermostat below 200°F/93°C, move the on/off switch to OFF, and wait at least one minute before trying again to light the pilot.

Main Burner Operation

When the pilot flame is established, a flame rectification circuit is completed between the sensor and the burner ground. The flame sensing circuit in the module detects the flame current, shuts off the spark generator, and energizes the second main valve operator. The second main valve opens and gas flows to the main burner, where it is ignited by the pilot burner. On the S8600H, the safety lockout timer is held in the normal operating mode.

When the thermostat no longer calls for heat, both valve operators are de-energized, and both valves in the gas control close.

Step 3: Reset the Module

1. Turn the thermostat to its lowest setting.
2. Wait at least one minute.

Step 4: Check Safety Shutoff Operation

This step applies only to the S8600H, which is used on propane fryers.

1. Turn the gas supply off.

2. Set the fryer's thermostat above 200°F/93°C.
Watch to see whether there is a spark at the pilot burner immediately.
3. Time the spark from the time it starts to the time it shuts off.
4. Compare this time with the shutoff time that is stamped on the module. They should be the same.
5. Open the manual gas cock and make sure that no gas is flowing to the pilot or main burner.
6. Set the fryer's thermostat below 200°F/93°C and wait at least one minute before continuing.

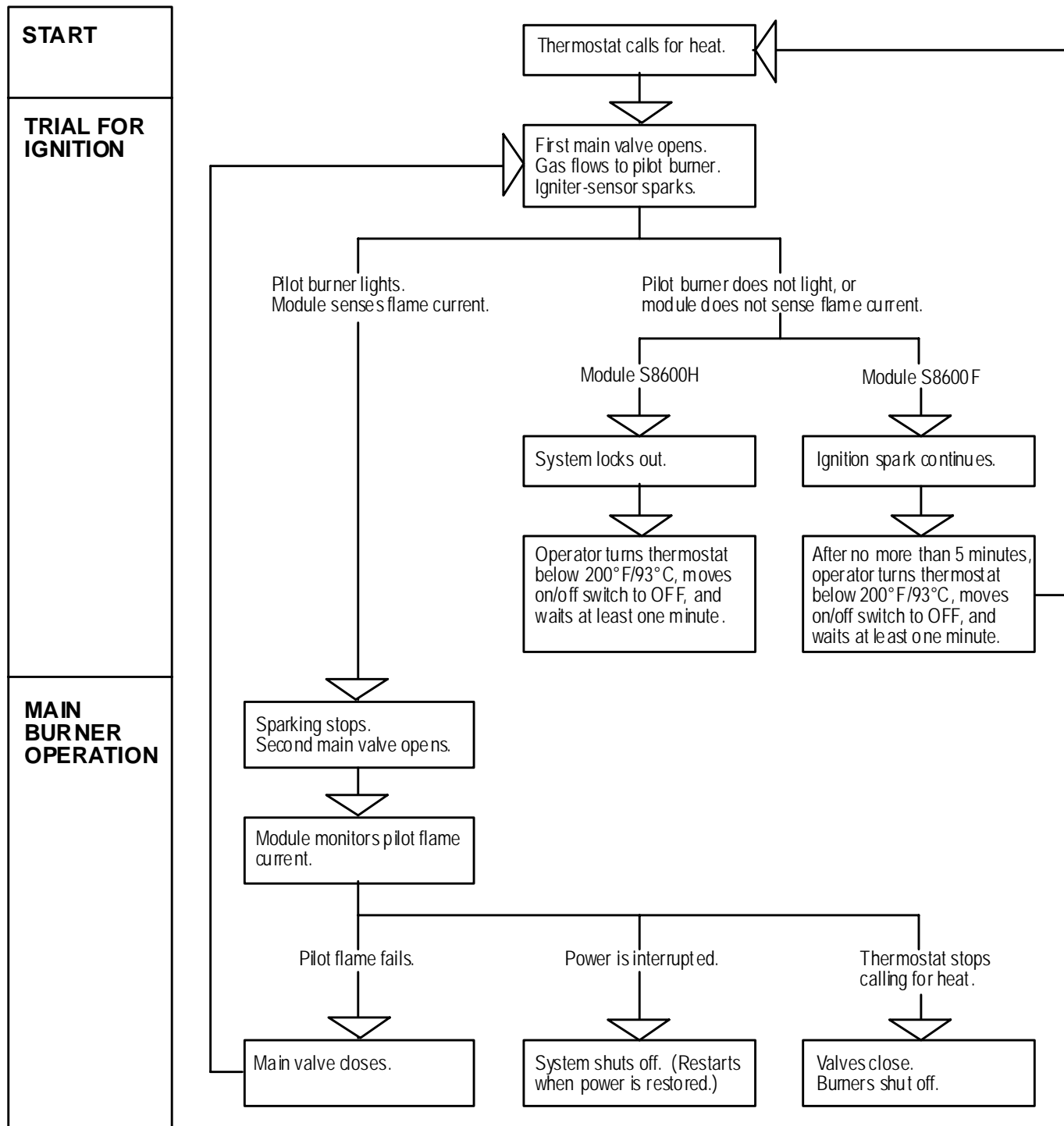


Figure A-1. Normal Operating Sequence.

Step 5: Check Normal Operation

1. Set the fryer's thermostat above 200°F/93°C.
2. Watch to see whether the pilot lights smoothly when the gas reaches the pilot burner.
3. Watch to see whether the main burner lights smoothly without flashback.
4. Watch to see whether the main burner operates smoothly without floating, lifting, flame rollout, or heat buildup.
5. If the gas line has been disturbed, perform a gas leak test, as follows:
 - a. Paint the gas control gasket edges and all pipe connections downstream of the gas control, including pilot tubing connections, with a rich solution of soap and water. Bubbles in the solution indicate gas leaks.
 - b. If there are leaks, tighten the joints or screws, or replace the component.
 - c. Test again for leaks.
 - d. Repeat this procedure until no leaks exist.
6. Set the thermostat below 200°F/93°C.
Watch to see whether the main burner flame and the pilot flame go out.

Troubleshooting—General

The following service procedures are provided as a general guide. For electrical troubleshooting refer to the diagrams included with this manual, or to the wiring schematic on the inside of the fryer door. Keep the following things in mind:

- On lockout and retry models, meter readings between gas control and ignition module must be taken within the trial for ignition period. Once the ignition module shuts off, lockout models must be reset by setting the

thermostat below 200°F/93°C for at least one minute before continuing. On retry models, wait for retry or reset at the thermostat.

- If any component does not function properly, make sure it is correctly installed and wired before replacing it.
- The ignition module cannot be repaired. If it malfunctions, it must be replaced.
- Only trained, experienced service technicians should service intermittent pilot systems.

As the first step in troubleshooting, perform the checkout procedure. Then check the block diagram. If you think there is an ignition problem, see “Troubleshooting the Ignition System” below to isolate and correct the problem.

Following troubleshooting, perform the checkout procedure again to be sure system is operating normally.

Troubleshooting the Ignition System

Step 1: Check Ignition Cable

1. Make sure the ignition cable does not run in contact with any metal surfaces.
2. Make sure the ignition cable is no more than 36"/0.9 m long.
3. Make sure the connections to the ignition module and to the igniter-sensor are clean and tight.
4. Make sure the ignition cable provides good electrical continuity.

Step 2: Check Ignition System Grounding

Nuisance shutdowns are often caused by a poor or erratic ground.

A common ground, usually supplied by the pilot burner bracket, is required for the module and the pilot burner/igniter-sensor.

1. Check for good metal-to-metal contact between the pilot burner bracket and the main burner.
2. Check the ground lead from the GND (BURNER) terminal on the module to the pilot burner. Make sure the connections are clean and tight. If the wire is damaged or deteriorated, replace it with #14-18 gauge, moisture-resistant, thermoplastic-insulated wire with a 221°F/105°C minimum rating.
3. Check the ceramic flame rod insulator for cracks or evidence of exposure to extreme heat, which can permit leakage to the ground. Replace the pilot burner/igniter-sensor and provide a shield if necessary.

If the flame rod or the bracket are bent out of position, restore them to the correct position.

Step 3: Check Spark Ignition Circuit

You will need a short jumper wire made from ignition cable or other heavily insulated wire.

1. Close the manual gas valve.
2. Disconnect the ignition cable at the SPARK terminal on the module.

WARNING

To avoid electric shock, when performing the following steps, do not touch the stripped end of the jumper or the SPARK terminal. The ignition circuit generates over 10,000 volts.

3. Energize the module and immediately touch one end of the jumper firmly to the GND terminal on the module. Move the free end of the jumper slowly toward the SPARK terminal until a spark is established.

4. Pull the jumper slowly away from the terminal and note the length of the gap when sparking stops.
5. Check the table below.

Arc Length	What To Do
No arc, or arc less than 1/8"/3 mm	Check external fuse, if provided. Verify power at module input terminal. Replace module if fuse and power are okay.
Arc 1/8"/3 mm or longer.	Nothing. (Voltage output is okay.)

Step 4: Check Pilot and Main Burner Lightoff

1. Set the thermostat above 200°F/93°C to call for heat.
2. Watch the pilot burner during the ignition sequence. Look for the following:
 - The ignition spark continues after the pilot is lit
 - The pilot lights and the spark stops, but the main burner does not light
 - The pilot lights, the spark stops and the main burner lights, but the system shuts down (S8600H only)
3. If any of the these things happens, make sure the flame current is adequate. Follow these steps:
 - a. Turn off the fryer and disconnect it from the power source.
 - b. Clean the flame rod with emery cloth.

- c. Make sure the electrical connections are clean and tight. Replace damaged wire with moisture-resistant #18 wire rated for continuous duty up to 221°F/105°C.
- d. Check to see if ceramic insulator is cracked. A cracked insulator can cause a short to ground. Replace the igniter-sensor if necessary.
- e. At the gas control, disconnect the main valve wire from the TH or MV terminal.
- f. Connect the fryer to the power source and move the on/off switch to the ON position.
- g. Turn on the power and set thermostat above 200°F/93°C to call for heat. The pilot should light, but the main burner will remain off because the main valve actuator is disconnected.
- h. Check the pilot flame. Make sure it is blue, steady, and envelops 3/8-1/2"/ 10-13 mm of the flame rod. See the table below for possible flame problems and their causes.
- i. If necessary, adjust the pilot flame by turning the pilot adjustment screw on the gas control clockwise to decrease or counterclockwise to increase the pilot flame. Following adjustment, always replace the pilot adjustment cover screw and tighten it firmly to assure proper gas control operation.
- j. Set the thermostat below 200°F/93°C to end the call for heat.

If the main burner does not light, check for 24V AC across MV-MV/PV terminals. If there is no voltage, replace the module. Also, check the electrical connections between the module and the gas control. If they are okay, replace the gas control or the gas control operator.

4. Recheck the ignition sequence as follows:
- a. Reconnect the main valve wire.
 - b. Set the thermostat above 200°F/93°C to call for heat.
 - c. Watch the ignition sequence at the burner.

If the spark still does not stop after the pilot lights, replace the ignition module.

Appearance	Cause
small blue flame	lack of gas due to clogged orifice filter lack of gas due to clogged pilot filter low gas supply pressure pilot adjustment is at minimum
lazy yellow flame	lack of air due to large orifice pilot adjustment is at minimum
waving blue flame	excessive draft at pilot location products of combustion are recirculating
noisy lifting blowing flame	high gas pressure
hard sharp flame	high gas pressure orifice too small

B

Donut-Making Helps

Tips on Making Quality Cake Donuts

- Use the correct batter temperature.
In general, the correct batter temperature is 75°-80°F/24°-27°C. Check the mix manufacturer's instructions, as the recommended temperature range may vary.
If the batter is too warm, the donuts will lack volume and may "ring out" or be misshapen. If the batter is too cold, the donuts will stay under the shortening too long, fry too slowly, and crack open or ball up. They may also absorb excess shortening and lose volume.
- Use the correct floor time.
A floor time of 10 minutes between mixing and cutting allows the baking powder to react with the water. This helps the donuts attain the proper volume the proper level of shortening penetration.
If the floor time exceeds 30 minutes, the mix will gas off, the donuts will lose volume and shape and will absorb too much shortening.
- Use the correct frying temperature.
The correct shortening temperature for frying is 370°-380°F/188°-193°C.
If the shortening is too hot, the donuts will fry too quickly on the outside and will lose volume. The donuts may also become dense inside.

If the shortening is too cold, the donuts will spread too rapidly, will form large rings, will tend to crack open, will be too light in appearance, and will absorb too much shortening.

- Maintain the proper shortening level. We recommend a distance of 1 1/4" between the cutter and the shortening.

If the shortening is too deep, the donuts may not turn over when they reach the turner, causing them to cook unevenly.

If the shortening is too shallow (too far below the cutter), the donuts may not drop flat, may turn over while submerging and surfacing, and may become irregular, cracked, or rough-cruste

- Ensure that the donuts absorb the right amount of shortening.

Donuts should absorb 1-1/2 to 3 oz/42 to 85 g of shortening per dozen, depending on their weight. You can achieve proper absorption by following tips 1-3.

- If the donuts do not absorb enough shortening, they will not keep well.

If they absorb too much shortening, they will lose volume and may become misshapen. If this happens, follow tips 1-3, mix the batter a little longer than usual, turn the donuts as soon as they become golden brown, and turn the donuts only once.

Calculating Correct Water Temperature

The following is an example of how to calculate the correct water temperature to use. You must

use your own room temperature, dry mix temperature, desired batter temperature, and, if you are making yeast-raised donuts, estimated temperature increase during mixing.

	Cake Donuts		Yeast-Raised Donuts	
	°F	°C	°F	°C
Room temperature	72	22.2	72	22.2
Dry mix temperature	+70	+21.1	+70	+21.1
Total A	142	43.3	142	43.3
Desired batter temperature	75	23.9	80	26.7
	<u>x3</u>	<u>x3</u>	<u>x3</u>	<u>x3</u>
Total B	225	71.7	240	80.1
Total B	225	71.7	240	80.1
-Total A	-142	-43.3	-142	-43.3
Desired water temp. for cake donuts	83°F	28.4°C	98	36.8
			↓	↓
			98	36.8
			<u>-30</u>	<u>-17</u>
Temperature increase during mixing (average: 30°F/17°C)				
Desired water temperature for yeast-raised donuts	68°F		68°F	19.8°C

Figure from above

Temperature increase during mixing (average: 30°F/17°C)

Ratios of Plunger Sizes to Donut Weights

The weights given are for donuts without icings or other toppings. They are provided for reference only, as weights vary according to the density of the batter.

Plunger Size	Donut Weight per Dozen
1"	5-8 oz/142-227 g
1 7/16"	10-17 oz/283-482 g
1 9/16"	14-21 oz/397-595 g
1 13/16"	19-23 oz/539-652 g

Temperature Conversion

To convert temperatures from Fahrenheit to Celsius, subtract 32 from °F and divide the result by 1.8. For example, $212^{\circ}\text{F} - 32 / 1.8 = 100^{\circ}\text{C}$.

To convert temperatures from Celsius to Fahrenheit, multiply °C by 1.8 and add 32 to the result. For example, $(100^{\circ}\text{C} \times 1.8) + 32 = 212^{\circ}\text{F}$.

°F	°C	°F	°C
55	12.8	340	171.1
60	15.6	345	173.9
65	18.3	350	176.7
70	21.2	355	179.4
75	23.9	360	182.2
80	26.7	365	185.0
325	162.8	370	187.8
330	165.6	375	190.6
335	168.3	380	193.3

C

Parts Lists

The following pages contain lists of the parts that make up the 718LCG, 724CG, and 734CG Gas Fryers. Each parts list refers to an exploded-view assembly drawing.

You can use the parts lists and assembly drawings to order replacement parts. When you do, please provide electrical information about your fryer. Some of the part numbers vary according to the voltage, phase, and cycle of the machine.

IMPORTANT

The parts lists and assembly drawings are meant as guides. Because Belshaw constantly improves its products, parts lists and assembly drawings may not reflect the most recent design changes.

718LCG PARTS LIST.

ITEM NUMBER	QTY PER	UM	DESCRIPTION-TRUNC.	ITEM NUMBER	QTY PER	UM	DESCRIPTION-TRUNC.
232	1	EA	POWER CORD, 18GA SJO	718LG-0060	1	EA	KETTLE BACK SPLASH
#PLT-0001	1	EA	CLEAR NEON PILOT LIG	718LG-0304	1	EA	DRAIN TRAY
#PLT-0002	1	EA	CLEAR NEON PILOT LIG	718LG-0501	1	EA	FLUE BOX ASSEMBLY
618-0007A	2	EA	PROOFING SCREEN 17X2	718LG-0519	1	EA	MANIFOLD PIPE ASSEMB
618-0096	8	EA	RETAINING CLIP	718LG-0520	1	EA	CARRYOVER TUBE ASSEM
			SPACER SCREEN	718LG-0521	1	EA	RISER ASSEMBLY
618-0097	8	EA	HANDLE	718LG-0528L	1	EA	DOOR ASSEMBLY-LEFT
618-0098	4	EA	SCREEN HANDLE ROD	718LG-0528R	1	EA	DOOR ASSEMBLY-RIGHT
618-0513	4	EA	SCREEN HANDLE	718LG-0529	1	EA	DRAIN TRAY ASSY
618-0513B	4	EA	HANDLE WELDMENT	718LG-0530	1	EA	EXTENSION ROD ASSY
618L-0097	1	EA	FORK	718LG-1008	1	EA	KETTLE ASSY
618L-0098	1	EA	DRAIN VALVE KNOB,EXT	718LG-1517-1	1	EA	MANIFOLD PIPING ASSY
618L-0103	1	EA	LABEL,DRAIN VALVE	724G-0037A	1	EA	TRANSFORMER; 38VA 24
618L-0105	1	EA	WARNING LABEL	724G-0045	2	EA	MOUNTING COUPLING
618L-0116R	1	EA	DRAIN TRAY MTG BRKT	724G-0063	1	EA	CAP TUBE CLIP
			DRAIN TRAY SUPPORT	724G-0063L	1	EA	CAP TUBE CLIP-LONG
			R	724G-0068	1	EA	DATA PLATE
618L-0124	1	EA	DRAIN TRAY MTG BRKT	724G-0069	2	EA	FLUE BOX MOUNTING
618L-0127R	1	EA	FRYING SCREEN	724G-0070	4	EA	BOX
			ASSEMBLY	724G-0129	8	EA	FLUE BOX CORNER
618L-1058	2	EA	SS DRAIN TRAY	724G-0130	8	EA	INNER TURBULATOR
			SUPPORT	724G-0131	4	EA	OUTER TURBULATOR
624-0038	1	EA	SS DRAIN TRAY	724G-0140	2	EA	CENTER TURBULATOR
			SUPPORT	724G-0143	1	EA	MANIFOLD MOUNTING
624-0039	1	EA	CUTTER MOUNT CLAMP	724G-0144	1	EA	BACK
624-0170	1	EA	SS SPRING HANDLE 9-1	724G-0146	1	EA	HIGH TEMP LIMIT
624-0173	4	EA	DRAIN VALVE BALL 1-1	724G-0152	1	EA	CONTROL
624-0174	1	EA	WING HANDLE, BALL	724G-0152	1	EA	THERMOCOUPLE
			VALVE	724G-0156	1	EA	PILOT LIGHT 25V
624-0181.A	1	EA	BURNER TUBE	724G-0170	4	EA	YELLOW
718LG-0001	4	EA	KETTLE SIDE LH	724G-0182	2	EA	BURNER TIP ORIFICE
718LG-0003	1	EA	FLUE BOX				#52
718LG-0016	1	EA	EXTENSION ROD				IGNITER/SENSOR (NG)
718LG-0031	1	EA	DRAIN TRAY HINGE				IGNITER/SENSOR (NAT)
718LG-0038	1	EA	SHAFT				GAS LINE TEE 1/8 FEM
718LG-0053	1	EA	1/4 GAS LINE (VALVE)				DRAFT SHIELD
718LG-0054	1	EA	1/4 GAS LINE (IGNITE)				SPARK PAN SPACER
718LG-0056	1	EA	SPARK PAN				
718LG-0059	1	EA	HEAT SHIELD				

718LCG PARTS LIST (CONT'D)

ITEM NUMBER	QTY PER	UM	DESCRIPTION-TRUNC.	ITEM NUMBER	QTY PER	UM	DESCRIPTION-TRUNC.
724G-0183	1	EA	SHORTENING CAUTION L	FM200-0102	6	EA	FIBER WASHER 3/4OD 1
724G-0186	2	EA	DOOR MAGNET	FT100-0063	2	EA	SUPPORT BRACKET WASHER GREY FIBER
724G-0188	2	EA	HINGE PIN ELECTRICAL BOX COVER	H-0024	6	EA	1/2 LABEL,WARNING HAZ VO
724G-0200	1	EA	DOOR HANDLE	MDD-0459	1	EA	FRYER BRACKET CLAMP
724G-0203	2	EA	PILOT LIGHT LABEL	P-0001	1	EA	BRKT PLATE,CUTTER MO
724G-0204	1	EA	PILOT LIGHT RED 25V	P-0002	1	EA	KNOB
724G-0205	1	EA	PILOT LIGHT RED 25V	RF-0012	1	EA	TEMP CONTROL,1/16 DIAM
724G-0206	1	EA	2" PLUG BUTTON, NICK	TJ-0184	1	EA	DIAM
724G-0207	4	EA	3/8" HOLE PLUG WHITE THERMOCOUPLE	U-0008	2	EA	DIAL SCREW COLLAR
724G-0209	1	EA	FITTING				
724G-0239	4	EA	AIR SHUTTER				
724G-0269N	1	EA	IGNITER-CONTROLLER N				
724G-0273	1	EA	GAS VALVE-NG				
724G-0296	4	EA	LEG STAND				
724G-0297	4	EA	LEG STAND ANGLE				
724G-0298	4	EA	ADJUSTABLE LEG				
724G-0299	2	EA	DOOR MGT BRACKET				
724G-0309	1	EA	FLUE BOX LABEL				
724G-0313	2	EA	HINGE SPACER BLOCK DIAGM LABEL				
724G-0314	1	EA	CG				
724G-0315	1	EA	KETTLE NIPPLE				
724G-0381	1	EA	ELEC BOX ENCL TURBULATOR				
724G-0521	4	EA	ASSEMBLY BURNER ASSEMBLY				
724G-0522	4	EA	(NG) ADJUSTABLE LEG				
724G-0539	4	EA	ASSY				
734G-0057	1	EA	INLET GAS PIPE				
C1200G-0132	2	EA	FLUE BOX MOUNTING ST				
C600G-0130	1	EA	THERMOCOUPLE COUPLING				
C600G-0647-2	1	EA	IGNITOR WIRE ASSEMBL				
DR42-0050	1	EA	TOGGLE SWITCH SPST				
DR42-0050A	1	EA	SWITCH PLATE FUSEHOLDER 15 AMP/2				
DR42-0066	1	EA	AMP/2				
EP18/24-0140	1	EA	LABEL- BELSHAW				
FM200-0080A	1	EA	BUSS FUSE-TYPE MDA 5				

724CG PARTS LIST.

ITEM NUMBER	QTY PER	UM	DESCRIPTION-TRUNC.	ITEM NUMBER	QTY PER	UM	DESCRIPTION-TRUNC.
135	1	EA	PLUG,BRASS 1/8 I.P.S				
618L-0098	1	EA	DRAIN VALVE KNOB,EXT	724G-0206	1	EA	2" PLUG BUTTON
618L-0103	1	EA	LABEL,DRAIN VALVE	724G-0207	4	EA	3/8" HOLE PLUG WHITE LP GAS CONVERSION KIT
618L-0105	2	EA	WARNING LABEL	724G-0225	1	EA	AIR SHUTTER
618L-0116R	1	EA	DRAIN TRAY MTG BRKT	724G-0244A	1	EA	ORIFICE .011 LP PILOT
618L-0127R	1	EA	DRAIN TRAY MTG BRKT	724G-0296	4	EA	LEG STAND
			DRAIN TRAY SUPPORT	724G-0299	2	EA	DOOR MGT BRACKET
624-0037	1	EA	ROD	724G-0313	2	EA	HINGE SPACER
			SS DRAIN TRAY				BLOCK DIAGM LABEL
624-0038	1	EA	SUPPORT	724G-0314	1	EA	CG
			SS DRAIN TRAY	724G-0379	1	EA	GAS VALVE, LP
624-0039	1	EA	SUPPORT	724G-0380	1	EA	ADAPTER, GAS VALVE
			CUTTER MOUNT CLAMP	724G-0381	1	EA	ECR 7094; ELEC BOX
624-0170	1	EA	BAR	724G-0501	1	EA	FLUE BOX ASSY
624-0174	1	EA	DRAIN VALVE BALL 1-1/4	724G-0520	1	EA	GAS MANIFOLD CG
624-1058	2	EA	FRYING SCREEN ASSY				MODE
718LG-0053	1	EA	1/4 GAS LINE (VALVE)	724G-0522P	6	EA	ASSY; BURNER;
718LG-0054	1	EA	1/4 GAS LINE (IGNITE)	724G-0524	1	EA	PROPANE
			FLUE BOX MOUNTING	724G-0524	1	EA	RISER ASSEMBLY
724G-0069	2	EA	BOLT				CARRYOVER TUBE
			FLUE BOX BACKING	724G-0525	1	EA	ASSY
724G-0071	1	EA	PLATE	724G-0538L	1	EA	DOOR ASSEMBLY-LEFT
724G-0077	1	EA	SPARK PAN				DOOR ASSEMBLY-
			DRAIN TRAY HINGE	724G-0538R	1	EA	RIGHT
724G-0088	1	EA	SHAFT	724G-0540	1	EA	DRAIN TRAY ASSY
			CARRYOVER TUBE				EXTENSION ROD ASSY
724G-0128	1	EA	WITH SPUD	724G-0556	1	EA	W
			HIGH TEMP LIMIT	724G-1013	1	EA	GAS VALVE ASSEMBLY,
724G-0143	1	EA	CONTROL	734G-0057	1	EA	INLET GAS PIPE
724G-0144	1	EA	THERMOCOUPLE	DR42-			
724G-0146	1	EA	PILOT LIGHT 25V YELL	0050A	1	EA	SWITCH PLATE
724G-0147-62	6	EA	PLUG ORIFICE #62 LP	EP18/24-			
724G-0152	1	EA	IGNITER/SENSOR (NG)	0081	2	EA	CON'TN FITNG-IGNITER
			GAS LINE TEE 1/8				FIBER WASHER 3/4OD
724G-0156	1	EA	FEMALE	FM200-0102	6	EA	1/4 ID
724G-0166	1	EA	HEAT SHIELD				LABEL,WARNING HAZ
724G-0167	1	EA	KETTLE BACK SPLASH S	MDD-0459	1	EA	VOLT
724G-0178	1	EA	IGNITOR MTG BRACKET				FRYER BRACKET
			IGNITER/SENSOR	P-0001	1	EA	CLAMP
724G-0179	1	EA	PROPA				BRKT PLATE,CUTTER
724G-0182	2	EA	SPARK PAN SPACER	P-0002	1	EA	MOUNT
			SHORTENING CAUTION	U-0008	2	EA	DIAL SCREW COLLAR
724G-0183	1	EA	LABEL				
724G-0186	2	EA	DOOR MAGNET				
			ELECTRICAL BOX				
724G-0200	1	EA	COVER				
724G-0203	2	EA	DOOR HANDLE				
724G-0204	1	EA	PILOT LIGHT LABEL				
724G-0205	1	EA	PILOT LIGHT RED 25V				

734CG PARTS LIST.

ITEM NUMBER	QTY PER	UM	DESCRIPTION-TRUNC.	NUMBER	PER		
				724G-0239	8	EA	AIR SHUTTER
			POWER CORD, 18GA				INSTRUCTION LABEL
232	1	EA	SJO	724G-0242	1	EA	CG
#PLT-0001	1	EA	CLEAR NEON PILOT LIG				IGNITER-CONTROLLER
#PLT-0002	1	EA	CLEAR NEON PILOT LIG	724G-0269N	1	EA	NG
			DRAIN VALVE	724G-0273	1	EA	GAS VALVE-NG
618L-0098	1	EA	KNOB,EXT	724G-0299	1	EA	DOOR MGT BRACKET
618L-0105	1	EA	WARNING LABEL	724G-0312	1	EA	LABEL; INSTALLATION
			DRAIN TRAY MTG	724G-0313	2	EA	HINGE SPACER
618L-0116R	1	EA	BRKT-				BLOCK DIAGM LABEL
618L-0127R	1	EA	DRAIN TRAY MTG BRKT	724G-0314	1	EA	CG
			SS DRAIN TRAY				BURNER ASSEMBLY
624-0038	1	EA	SUPPOR	724G-0522	8	EA	(N.G.)
			SS DRAIN TRAY				ADJUSTABLE LEG
624-0039	1	EA	SUPPOR	724G-0539	4	EA	ASSY
			CUTTER MOUNT	734G-0036	1	EA	SPARK PAN
624-0170	1	EA	CLAMP B				DRAIN TRAY HINGE
624-0174	1	EA	DRAIN VALVE BALL 1-1	734G-0041	1	EA	SHAFT
			PROOFING SCREEN 23				1/4 GAS LINE-GAS
634-0013A	2	EA	X 23	734G-0044	1	EA	VALVE
634-0508	4	EA	SCREEN HANDLE ASSY	734G-0049	1	EA	HEAT SHIELD
634-1058	2	EA	FRYING SCREEN ASSY	734G-0050	1	EA	KETTLE BACK SPLASH
718LG-0053	1	EA	1/4 GAS LINE (VALVE0	734G-0057	1	EA	INLET GAS PIPE
718LG-0054	1	EA	1/4 GAS LINE (IGNITE	734G-0501	1	EA	FLUE BOX ASSY
			TRANSFORMER; 38VA	734G-0516	1	EA	GAS MANIFOLD
724G-0037A	1	EA	24				CARRYOVER TUBE
724G-0063	1	EA	CAP TUBE CLIP	734G-0517	1	EA	ASSY
724G-0063L	1	EA	CAP TUBE CLIP-LONG	734G-0518	1	EA	RISER ASSEMBLY
724G-0068	1	EA	DATA PLATE	734G-0528L	1	EA	DOOR ASSY LH
			FLUE BOX MOUNTING	734G-0528R	1	EA	DOOR ASSY RH
724G-0069	2	EA	BOX	734G-0529	1	EA	DRAIN TRAY ASSY
			HIGH TEMP LIMIT				CARRYOVER TUBE
724G-0143	1	EA	CONTROL	734G-0532	1	EA	ASSY
724G-0144	1	EA	THERMOCOUPLE	734G-1011	1	EA	CABINET ASSY
			PILOT LIGHT 25V	734G-1013	1	EA	KETTLE ASSY
724G-0146	1	EA	YELLOW	734G-1517-			MANIFOLD PIPING
724G-0147-			BURNER TIP ORIFICE #	1	1	EA	ASSY
52	8	EA	52	905-0620	1	EA	HEYCO BUSHING 6P-4
724G-0152	1	EA	IGNITER/SENSOR (NAT)	990-0630	1	EA	HEYCO BUSHING #2087
724G-0156	1	EA	GAS LINE TEE 1/8 FEM				THERMOCOUPLE
724G-0182	2	EA	SPARK PAN SPACER	C600G-0130	1	EA	COUPLIN
			SHORTENING CAUTION	C600G-			IGNITOR WIRE
724G-0183	1	EA	LABEL	0647-2	1	EA	ASSEMBLE
724G-0186	2	EA	DOOR MAGNET	DR42-0050	1	EA	TOGGLE SWITCH SPST
724G-0188	2	EA	HINGE PIN	DR42-			
724G-0203	2	EA	DOOR HANDLE	0050A	1	EA	SWITCH PLATE
724G-0204	1	EA	PILOT LIGHT LABEL				FUSEHOLDER 15
724G-0205	1	EA	PILOT LIGHT RED 25V	DR42-0066	1	EA	AMP/2
724G-0206	1	EA	2" PLUG BUTTON, NICK	EP18/24-			
724G-0207	1	EA	3/8" HOLE PLUG WHITE	0081	2	EA	CON'TN FITNG-IGNITER
ITEM	QTY	UM	DESCRIPTION-TRUNC.	FM200-	1	EA	BUSS FUSE-TYPE MDA

734FG PARTS LIST

ITEM NUMBER	QTY PER	UM	DESCRIPTION-TRUNC.
FM200-0102	6	EA	1 FIBER WASHER 3/4OD
FT100-0063	2	EA	SUPPORT BRACKET WASHER GREY FIBER
H-0024	6	EA	1/16 LABEL,WARNING HAZ
MDD-0459	1	EA	VOLTS
MK-0186	3	EA	LABEL HOT FRYER BRACKET
P-0001	1	EA	CLAMP BRKT PLATE,CUTTER
P-0002	1	EA	MOUNT
RF-0012	1	EA	KNOB TEMP CONTROL,1/16
TJ-0184	1	EA	DIAG
U-0008	6	EA	DIAL SCREW COLLAR



AGA Bakery USA

US/Canada/Mexico Limited Warranty and Return Policy

Belshaw Brothers Inc. warrants parts of its manufacture and assembly of equipment to be free from defects in workmanship and material which would result in product failure under normal use and service. Belshaw's entire liability under this Warranty is limited to either repairing or replacing at its factory or; on user's premises, at Belshaw's option, any equipment or parts thereof, which shall be determined by Belshaw to be defective. If necessary to return parts to the factory they must be shipped transportation charges prepaid. **This shall be purchaser's sole and exclusive remedy.**

Belshaw reserves the right to make changes in design; or add any improvement, at any time without incurring any obligations to install, the same, on equipment previously sold.

This warranty is expressly in lieu of any and all other warranties express or implied, including: implied warranties of merchantability and fitness for any particular purpose, and all other obligations or liabilities what so ever on Belshaw's part. All statutory or implied warranties, other than title, are expressly nullified and excluded.

Belshaw neither assumes nor authorizes any person to assume for it any obligation or liability in connection with the sale of Belshaw's products or parts thereof.

Possession, use/or operation of equipment, or parts sold hereunder for any other than their designed purpose, or use of equipment which is in poor repair, modified, improperly operated, or neglected is done at the owner's risk. Belshaw hereby disclaims any liability for these actions and shall not be liable for defects in or for any damages or loss to the property sold which is attributable to such actions.

Under no circumstances shall Belshaw be liable for any indirect, special, incidental, or consequential damages arising out of, or from the use of Belshaw's product by buyer, it assignees, employees, agents or customers.

Belshaw makes no express warranties except those contained in this Warranty concerning the product sold hereunder. No modification or alteration of this Warranty shall be made except by Belshaw in writing.

Warranty Period / Guidelines

This limited warranty shall extend for a period of one year from date of shipment and to the original owner only. It covers parts (manufactured by Belshaw) and labor. This warranty covers only items sold within the United States, Canada and Mexico. A pre-authorization must be obtained from Belshaw before any warranty work is carried out, failure to do so may void the warranty of the product.

Limited Warranty

With respect to parts not manufactured by Belshaw, warranty coverage shall be limited to the original part manufacturer's warranty, or the Belshaw limited warranty, whichever is the lesser coverage period. In no case will the warranty be in excess of 18 months after date of shipment of the equipment.

Replacement parts provided under the terms of this warranty are warranted for the remainder of the original warranty period applicable to the product.

Exclusions

This warranty excludes from its coverage and does not apply to: (a) solenoid and relay coils; (b) lamps; (c) "O" rings; (d) belts; and (e) impellers. These items are excluded because (1) failure is usually due to causes beyond our control; (2) it is not practical to accurately determine the failure cause; and (3) the normal life of the parts is shorter than our warranty period.

Procedure for Return:

To speed up your credits for returned equipment, we have a return goods policy and procedure. Our procedure starts with a phone call to (206) 322-5474 or Service Department for a return authorization. When contacting Service Dept. you should be ready to give:

- Customer name, address, phone number and individual's name, Invoice number and date, Model number and serial number, reason for return, i.e. credit, exchange, warranty, or repair. Description of item and problem.

When we get this information we will issue you a Return of Goods Authorization Number (RGA). This number must be marked clearly on the outside of the package. If the package is not clearly marked with the RGA#, then the package will be returned unopened to the sender. The RGA# will be open for 30 days, if returnable goods have not been received within the 30 days, then RGA# will be voided.

Return goods must be:

- Returned freight prepaid, packaged securely and carefully so that in-transit damage cannot occur.
- Marked so the package contains the RGA# in the first line of the address line, "Attn: RGA#" (the number being the number given you by the Belshaw service department.)

Please note the following:

- If the returned goods were sent to you due to our mistake, then we will pay all freight charges via our choice of carrier.
- If the returned goods failed while in service and are still covered by warranty, they need to be returned freight prepaid by you. We will then replace the goods at no charge.
- When returning parts for re-stock: our minimum re-stocking charge is 20% of original invoice amount or \$20 (whichever is greater), providing the equipment is in new, never-been-used condition. Restocking charges may be increased above the minimum, depending on how much rework the returned goods need. Final determination will be made after factory inspection of goods.
- No RGA# will be issued if the item in question was invoiced anytime prior to 180 days of the request

Following these guidelines will help expedite the processing of your return.

Free Manuals Download Website

<http://myh66.com>

<http://usermanuals.us>

<http://www.somanuals.com>

<http://www.4manuals.cc>

<http://www.manual-lib.com>

<http://www.404manual.com>

<http://www.luxmanual.com>

<http://aubethermostatmanual.com>

Golf course search by state

<http://golfingnear.com>

Email search by domain

<http://emailbydomain.com>

Auto manuals search

<http://auto.somanuals.com>

TV manuals search

<http://tv.somanuals.com>