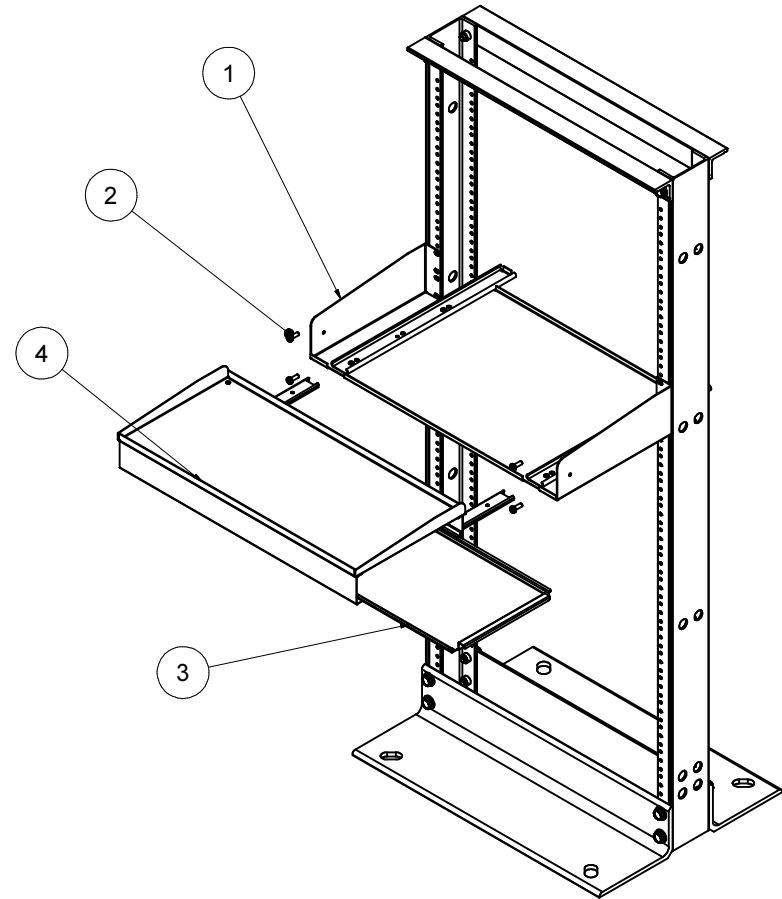


INSTRUCTION SHEET- F4D517

SLIDING KEYBOARD SHELF WITH MOUSE TRAY

INSTRUCTIONS :

1. Remove sliding tray (4) by gently pulling drawer slides apart.
2. Attach shelf (1) to rack using the provided screws (2).
3. Install sliding tray (4) by gently pushing drawer slides together.
4. Mouse tray can slide out the left or right side.
5. Route mouse cord through opening in rear of sliding tray (4).



TOOLS NEEDED:
#2 Phillips screwdriver

Parts List		
ITEM	QTY	DESCRIPTION
1	1	Keyboard Tray
2	4	Pan Head Phillips 12-24 x 0.625

Free Manuals Download Website

<http://myh66.com>

<http://usermanuals.us>

<http://www.somanuals.com>

<http://www.4manuals.cc>

<http://www.manual-lib.com>

<http://www.404manual.com>

<http://www.luxmanual.com>

<http://aubethermostatmanual.com>

Golf course search by state

<http://golfingnear.com>

Email search by domain

<http://emailbydomain.com>

Auto manuals search

<http://auto.somanuals.com>

TV manuals search

<http://tv.somanuals.com>