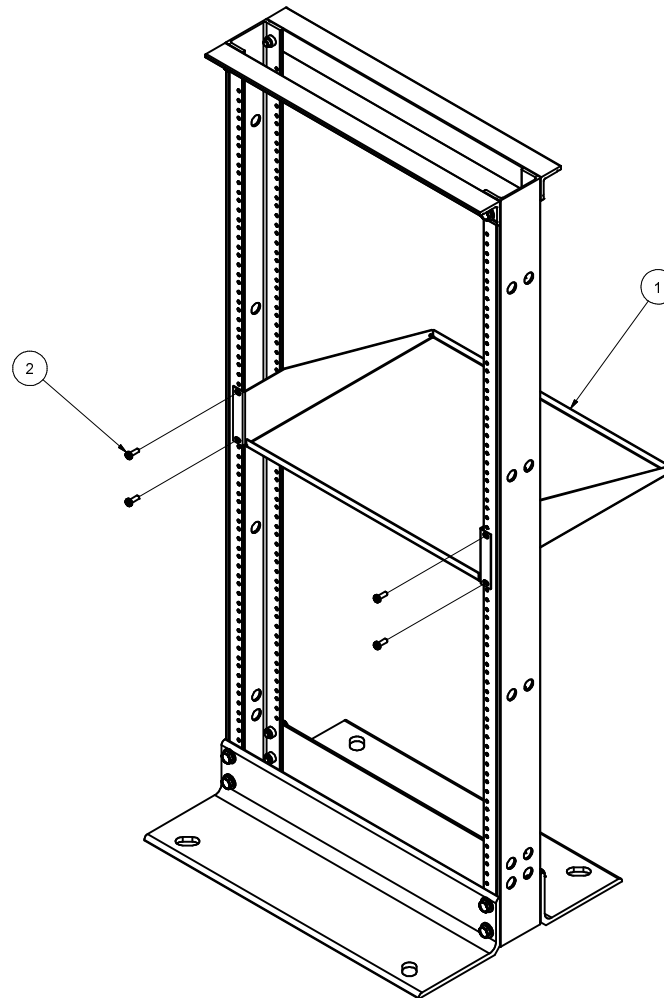


# INSTRUCTION SHEET- F4D153-1

## VENTED CANTILEVER SHELF 14-INCH, BLACK

### INSTRUCTIONS

1. Attach shelf (1) to rack using the provided screws (2).



### TOOLS NEEDED:

#2 Phillips screwdriver

Parts List		
ITEM	QTY	DESCRIPTION
1	1	Cantilever Shelf 14" -Blk
2	4	Pan Head Phillips 12-24 x 0.625

## Free Manuals Download Website

<http://myh66.com>

<http://usermanuals.us>

<http://www.somanuals.com>

<http://www.4manuals.cc>

<http://www.manual-lib.com>

<http://www.404manual.com>

<http://www.luxmanual.com>

<http://aubethermostatmanual.com>

Golf course search by state

<http://golfingnear.com>

Email search by domain

<http://emailbydomain.com>

Auto manuals search

<http://auto.somanuals.com>

TV manuals search

<http://tv.somanuals.com>