



COUNTERTOP GAS STEP-UP OPEN BURNER RANGES



Model XOB-424-SU

SPECIFICATIONS

Gas counter top open burner ranges with a low profile design are only 13 1/4" tall to range surface making them ideal for use on refrigerated cabinets or countertops.

XOB Series Ranges are designed to mix and match with the XX Series Char Broilers and XG Series Counter Top Griddles.

The XOB open burner counter top ranges feature exceptionally heavy, removable, individual cast iron top grates. Four widths are available including a 12" wide (305mm) two-burner, 24" wide (610mm) four-burner, 36" wide (915mm) six-burner and a 48" wide (1220mm) eight-burner.

The XOB-SU features a 3.5" (88.9mm) step-up on the rear burner(s).

The XOB Series features two high-performance, cast iron, 30,000 BTUH burners located every 12" with lift-off burner heads for easy cleaning and with individual, operator-controlled valves.

The interior combustion chamber is heavy-duty heat resistant 12- and 16-gauge steel, and is hand-welded for strength and durability.

Standard features include all stainless steel exterior, stainless steel landing ledge, stainless steel back-splash and large capacity, slide-out stainless steel crumb tray.

Additional features include individual 3/4" NPT rear gas connection in natural or LP gas, pressure regulator and 4" (102mm) NSF approved legs with adjustable bullet feet.

One year limited parts and labor warranty.

Job _____ Item # _____

GAS COUNTER TOP OPEN BURNER RANGES



- Model XOB-212-SU
- Model XOB-424-SU
- Model XOB-636-SU
- Model XOB-848-SU

STANDARD FEATURES

- 28 1/2" deep range top
- Heavy gauge, hand-welded, heat-resistant steel combustion chamber
- 30,000 BTUH burners - two per every 12"
- Up to 240,000 total BTUH in natural or LP gas
- Individually operated burner valves
- Stainless steel back-splash
- All stainless steel exterior
- Stainless steel landing ledge
- Low profile, counter top design - only 13 1/4" to range surface
- Stainless steel, slide-out crumb tray
- Heavy-duty 4" NSF approved chrome legs with adjustable bullet feet
- 3/4" (19mm) NPT rear gas connection with regulator
- Limited one year parts & labor warranty

OPTIONS & ACCESSORIES

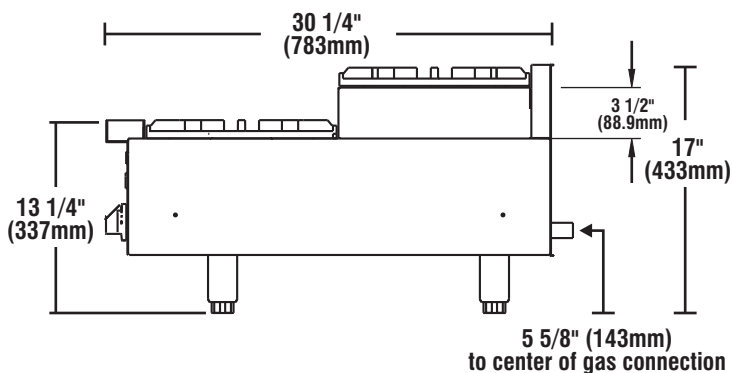
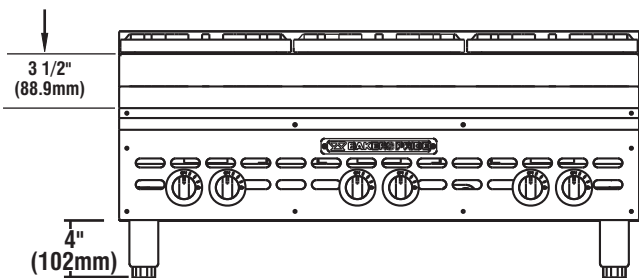
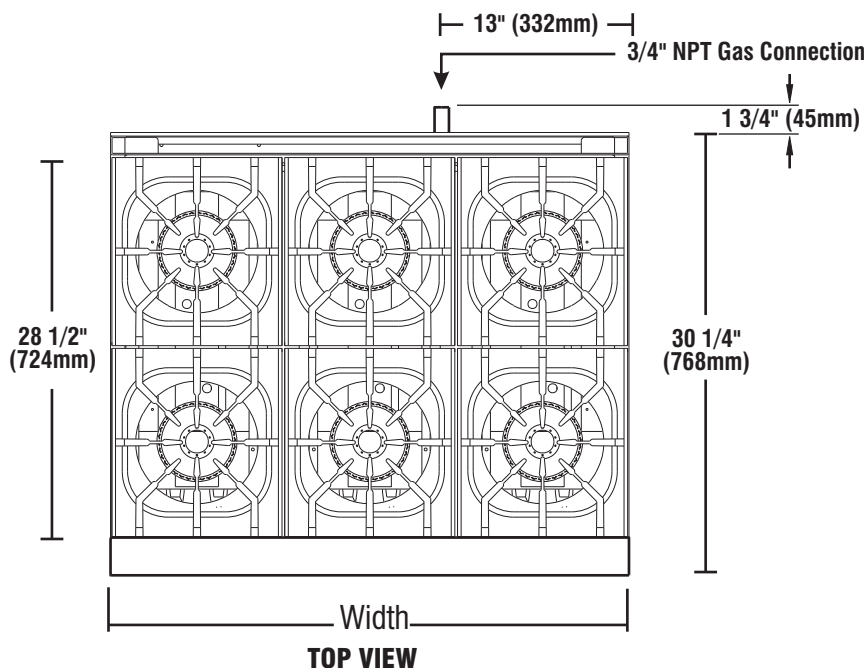
- Stainless steel front-mounted work deck with or without sauce pan cut-outs
- Gas connector hoses
- Equipment stands with or without casters
- Condiment rails

CERTIFICATIONS



BAKERS PRIDE OVEN COMPANY, INC.
30 Pine Street, New Rochelle, NY 10801
914/576-0200 • 1-800-431-2745 • fax 914/576-0605
www.bakerspride.com

Continuous product improvement is a policy of Bakers Pride Oven Company. Therefore, specifications and design are subject to change without notification



ALL DIMENSIONS NOMINAL

| Model | Shipping Weight | | Carton Dimensions | | | | | | Cubic | |
|------------|-----------------|-------|-------------------|-----|--------|------|--------|-----|-------|-------|
| | Lbs. | Kilos | Width | | Depth | | Height | | Feet | Meter |
| | | | Inches | mm | Inches | mm | Inches | mm | | |
| XOB-212-SU | 250 | 114 | 32 | 813 | 24 | 610 | 24 | 610 | 10.6 | .31 |
| XOB-424-SU | 320 | 145 | 32 | 813 | 36 | 914 | 24 | 610 | 16 | .46 |
| XOB-636-SU | 400 | 182 | 34 | 864 | 52 | 1321 | 24 | 610 | 24.6 | .71 |
| XOB-848-SU | 540 | 245 | 34 | 864 | 64 | 1626 | 24 | 610 | 30.2 | .88 |

| GAS SUPPLY | | | |
|------------|---------|-------|------------|
| Model | BTUH | KW | CONNECTION |
| XOB-212-SU | 60,000 | 17.57 | 3/4" |
| XOB-424-SU | 120,000 | 35.15 | 3/4" |
| XOB-636-SU | 180,000 | 52.72 | 3/4" |
| XOB-848-SU | 240,000 | 70.30 | 3/4" |

| Model | Range Top Area | | # of Burners | Overall Dimensions* | | | | | |
|------------|----------------|----------|--------------|---------------------|------|--------|-----|--------|-----|
| | in. | mm | | Width | | Depth | | Height | |
| | | | | Inches | mm | Inches | mm | Inches | mm |
| XOB-212-SU | 12x28 1/2 | 305x724 | 2 | 12 | 305 | 30 1/4 | 768 | 13 1/4 | 337 |
| XOB-424-SU | 24x28 1/2 | 610x724 | 4 | 24 | 610 | 30 1/4 | 768 | 13 1/4 | 337 |
| XOB-636-SU | 36x28 1/2 | 914x724 | 6 | 36 | 914 | 30 1/4 | 768 | 13 1/4 | 337 |
| XOB-848-SU | 48x28 1/2 | 1219x724 | 8 | 48 | 1219 | 30 1/4 | 768 | 13 1/4 | 337 |

*Height includes 4" (102 mm) standard legs to range surface

| MINIMUM CLEARANCES | | |
|-----------------------------------|--------|----|
| Non-combustible construction only | | |
| | Inches | mm |
| Right | 0 | 0 |
| Left | 0 | 0 |
| Rear | 0 | 0 |

• From non-combustible construction
• Install only with non-combustible material above range top



BAKERS PRIDE OVEN COMPANY, INC.
30 Pine Street, New Rochelle, NY 10801
914/576-0200 • 1-800-431-2745 • fax 914/576-0605
www.bakerspride.com

Continuous product improvement is a policy of Bakers Pride Oven Company. Therefore, specifications and design are subject to change without notification

COOKLINE-XOB-SU — TSW:05/08

Free Manuals Download Website

<http://myh66.com>

<http://usermanuals.us>

<http://www.somanuals.com>

<http://www.4manuals.cc>

<http://www.manual-lib.com>

<http://www.404manual.com>

<http://www.luxmanual.com>

<http://aubethermostatmanual.com>

Golf course search by state

<http://golfingnear.com>

Email search by domain

<http://emailbydomain.com>

Auto manuals search

<http://auto.somanuals.com>

TV manuals search

<http://tv.somanuals.com>