

INSTALLATION GUIDE

AXIS A1001 Network Door Controller

Liability

Every care has been taken in the preparation of this document. Please inform your local Axis office of any inaccuracies or omissions. Axis Communications AB cannot be held responsible for any technical or typographical errors and reserves the right to make changes to the product and manuals without prior notice. Axis Communications AB makes no warranty of any kind with regard to the material contained within this document, including, but not limited to, the implied warranties of merchantability and fitness for a particular purpose. Axis Communications AB shall not be liable nor responsible for incidental or consequential damages in connection with the furnishing, performance or use of this material. This product is only to be used for its intended purpose.

Intellectual Property Rights

Axis AB has intellectual property rights relating to technology embodied in the product described in this document. In particular, and without limitation, these intellectual property rights may include one or more of the patents listed at <http://www.axis.com/patent.htm> and one or more additional patents or pending patent applications in the US and other countries.

This product contains source code copyright Apple Computer, Inc., under the terms of Apple Public Source License 2.0 (see www.opensource.apple.com/apsl). The source code is available from <https://developer.apple.com/bonjour/>

Equipment Modifications

This equipment must be installed and used in strict accordance with the instructions given in the user documentation. This equipment contains no user-serviceable components. Unauthorized equipment changes or modifications will invalidate all applicable regulatory certifications and approvals.

Trademark Acknowledgments

AXIS COMMUNICATIONS, AXIS, ETRAX, ARTPEC and VAPIX are registered trademarks or trademark applications of Axis AB in various jurisdictions. All other company names and products are trademarks or registered trademarks of their respective companies.

Support

Should you require any technical assistance, please contact your Axis reseller. If your questions cannot be answered immediately, your reseller will forward your queries through the appropriate channels to ensure a rapid response. If you are connected to the Internet, you can:

- download user documentation and software updates
- find answers to resolved problems in the FAQ database. Search by product, category, or phrase
- report problems to Axis support staff by logging in to your private support area
- chat with Axis support staff (selected countries only)
- visit Axis Support at www.axis.com/techsup/

Learn More!

Visit Axis learning center www.axis.com/academy/ for useful trainings, webinars, tutorials and guides.

Regulatory Information

Europe

CE This product complies with the applicable CE marking directives and harmonized standards:

- Electromagnetic Compatibility (EMC) Directive 2004/108/EC. See Electromagnetic Compatibility (EMC).
- Low Voltage (LVD) Directive 2006/95/EC. See Safety.
- Restrictions of Hazardous Substances (RoHS) Directive 2011/65/EU. See Disposal and Recycling.

A copy of the original declaration of conformity may be obtained from Axis Communications AB. See *Contact Information*, on page 3.

Electromagnetic Compatibility (EMC)

This equipment has been designed and tested to fulfill applicable standards for:

- Radio frequency emission when installed according to the instructions and used in its intended environment.
- Immunity to electrical and electromagnetic phenomena when installed according to the instructions and used in its intended environment.

USA

This equipment has been tested using a shielded network cable (STP) and found to comply with the limits for a Class B digital device, pursuant to part 15 of the FCC Rules. These limits are designed to provide reasonable protection against harmful interference in a residential installation. This equipment generates, uses and can radiate radio frequency energy and, if not installed and used in accordance with the instructions, may cause harmful interference to radio communications. However, there is no guarantee that interference will not occur in a particular installation. If this equipment does cause harmful interference to radio or television reception, which can be determined by turning the equipment off and on, the user is encouraged to try to correct the interference by one or more of the following measures:

- Reorient or relocate the receiving antenna.
- Increase the separation between the equipment and receiver.
- Connect the equipment into an outlet on a circuit different from that to which the receiver is connected.
- Consult the dealer or an experienced radio/TV technician for help.

The product shall be connected using a shielded network cable (STP) that is properly grounded.

Canada

This digital apparatus complies with CAN ICES-3 (Class B). The product shall be connected using a shielded network cable (STP) that is properly grounded. Cet appareil numérique est conforme à la norme CAN NMB-3 (classe B). Le produit doit être connecté à l'aide d'un câble réseau blindé (STP) qui est correctement mis à la terre.

Europe

This digital equipment fulfills the requirements for RF emission according to the Class B limit of EN 55022. The product shall be connected using a shielded network cable (STP) that is properly grounded.

This product fulfills the requirements for immunity according to EN 61000-6-1 residential, commercial and light-industrial environments.

This product fulfills the requirements for immunity according to EN 61000-6-2 industrial environments.

This product fulfills the requirements for immunity according to EN 55024 office and commercial environments.

This product fulfills the requirements for immunity according to EN 50130-4 residential, commercial, light-industrial and industrial environments.

Australia/New Zealand

This digital equipment fulfills the requirements for RF emission according to the Class B limit of AS/NZS CISPR 22. The product shall be connected using a shielded network cable (STP) that is properly grounded.

Japan - この装置は、クラスB 情報技術装置です。この装置は、家庭環境で使用することを目的としていますが、この装置がラジオやテレビジョン受信機に近接して使用されると、受信障害を引き起こすことがあります。取扱説明書に従って正しい取り扱いをして下さい。本製品は、シールドネットワークケーブル(STP)を使用して接続してください。また適切に接地してください。

Safety

This product complies with IEC/EN/UL 60950-1, Safety of Information Technology Equipment. If its connecting cables are routed outdoors, the product shall be grounded either through a shielded network cable (STP) or other appropriate method.

The power supply used with this product shall fulfill the requirements for Safety Extra Low Voltage (SELV) and Limited Power Source (LPS) to IEC/EN/UL 60950-1.

Disposal and Recycling

Europe

This symbol means that the product shall not be disposed of together with household or commercial waste. Directive 2012/19/EU on waste electrical and electronic equipment (WEEE) is applicable in the European Union member states. To prevent potential harm to human health and the environment, the product must be disposed of in an approved and environmentally safe recycling process. For information about your nearest designated collection point, contact your local authority responsible for waste disposal. Businesses should contact the product supplier for information about how to dispose of this product correctly. This product complies with the requirements of Directive 2011/65/EU on the restriction of the use of certain hazardous substances in electrical and electronic equipment (RoHS).



China

This product complies with the requirements of the legislative act Administration on the Control of Pollution Caused by Electronic Information Products (ACPEIP).



Contact Information

Axis Communications AB
Emdalvägen 14
223 69 Lund
Sweden
Tel: +46 46 272 18 00
Fax: +46 46 13 61 30
www.axis.com

Supported Readers

This list of supported readers is subject to change without notice. Contact your Axis reseller for information about supported readers.

This product is compatible with UL Listed Wiegand access control readers.

This product is compatible with the following RS485 access control readers:

AXIS A4011-E Reader

HID iCLASS® RW100: 6101CG40000, 6101CGM0000, 6101CK40000, 6101CK40002, 6101CK40100, 6101CK4030C, 6101CKM0000, 6101CKM0002, 6101CKM0203; RW300: 6111CG40000, 6111CG4000C, 6111CGM0000, 6111CK40000, 6111CK4000Z, 6111CKM0000; RW400:

6121CG40000, 6121CGM0000, 6121CK40000, 6121CK40003, 6121CK40007-G3.0, 6121CK4000D-G3.0, 6121CKM0000; R40: 6122CKP00P0, 6122CKP05P0, 6122CKP06P0; RWK400: 6131CG4020000, 6131CK4000000, 6131CK4000014, 6131CK4000300, 6131CK4020000, 6131CKM000000, 6131CKM000214; RK40: 6132BK000709-G3.0, 6132CKP000009, 6132CKP000011, 6132CKP000700-G3.0, 6132CKP000709-G3.0, 6132CKP001009, 6132CKP001011, 6132CKP00P000, 6132CKP00P009, 6132CKP00709-G3.0, 6132CKP00Q709-G3.0, 6132CKP030014, 6132CKP060514, 6132CKP06P009, 6132CKP06P609, 6132CKP070209; RW150: 6141CG40000, 6141CGM0000, 6141CK40000, 6141CKM0000; R15: 6142CKP000Z, 6142CKP00P0, 6142CKP0100; RWKL550: 6171BK4000000, 6171BK4000009, 6171BK4000014, 6171BK4000214, 6171BK4000500, 6171BK4040Z14, 6171BK4060000, 6171BK4060209, 6171BK4060Z09, 6171BK4061000, 6171BKM000000, 6171BKM000200, 6171BKM000300, 6171BKM040400; RWKL575: 6181BK4000000, 6181BK4000009, 6181BK4000014, 6181BK4000022, 6181BK406C009

HID SmartID®: 8031 DSHAP

HID pivClass® R10-H: 900LHRNAK00000, 900LHRTAK00000, 900NHRNAK00000, 900NHRTAK00000, 900PHRNAK00000, 900PHRTAK00000, 910LHRNAK00000, 910LHRTAK00000, 910NHRNAK00000, 910NHRTAK00000, 910PHRNAK00000, 910PHRTAK00000, 920LHRNAK00000, 920LHRTAK00000, 920NHRNAK00000, 920NHRTAK00000, 920PHRNAK00000, 920PHRTAK00000, 921LHRNAK00000, 921LHRTAK00000, 921NHRNAK00000, 921NHRTAK00000, 921PHRNAK00000, 921PHRTAK00000; RPKCL40-P: 923LPRNAK00000, 923LPRTAK00000, 923NPRRTAK00000, 923PPRNAK00000, 923PPRTAK00000

Aptiq™: M11, MTK15, MTMSK15, MT15, MTMS15

For information about which compatible RS485 access control readers have been verified by UL, see *Requirements for UL Compliance* on page 3.

Requirements for UL Compliance

This section contains information and instructions required for UL compliance. To make sure the installation is UL compliant, follow the instructions below in addition to the general information and instructions provided throughout this document. In cases where pieces of information contradict each other, the requirements for UL compliance always replace general information and instructions.

Supported Readers

- Compatibility with the following RS485 readers has been verified by UL: HID iClass RK40, HID SmartID 8031 DSHM, and AptiqQ MTMSK15.

Safety Instructions

- The Axis product shall be installed and serviced by a factory trained professional.
- The Axis product shall be installed within the protected premises (secured area).
- The Axis product shall be mounted indoors. Outdoor use has not been evaluated or approved by UL.
- All interconnecting devices shall be UL Listed and Class 2 power limited.
- All wiring methods shall be performed in accordance with NFPA70, local codes and authorities having jurisdiction.
- When the Axis product has reached the end of its useful life, dispose of it according to local laws and regulations. The product should not be disposed of together with household or commercial waste. See *Disposal and Recycling* on page 3.
- Battery
 - The 3.0 V lithium battery used by the Axis product is a UL Recognized component. (Type: BR2032, diameter: 20 mm

(0.78 in), Axis part number: 38118, manufacturers: Rayovac, Panasonic, Renata.)

- Users shall not replace the battery. If the battery needs replacing, a factory trained service professional shall contact Axis support at www.axis.com/techsup for assistance.
- Used batteries shall be disposed of according to local laws and regulations, which may vary from state to state. Waste BR lithium cells are neither listed nor exempted from the USEPA hazardous waste regulations. Waste BR lithium batteries can be considered reactive hazardous waste if there is a significant amount of unreacted, or unconsumed lithium remaining. For information about how to dispose of used lithium batteries, contact your local authority for waste disposal.

Specifications

- Operating Conditions
 - Temperatures beyond 0 °C to 49 °C (32 °F to 120 °F) has not been verified as part of UL 294.
- Wire Area
 - UL Listed or R/C AWM wires that have a conductor gauge range of AWG 22–14 shall be used.
 - The minimum conductor gauge for connection between the power sourcing equipment (PSE) or power injector and the powered device (PD) is 26 AWG.
- Connectors
 - This product is not intended for outside wiring as covered by Article 800 in the National Electrical Code, NFPA 70.
 - Power Connector – For UL security applications, the product shall be powered by a UL 294 Listed or UL 603 Listed Class 2 low-voltage power limited power supply that is capable of 4 hours of standby power.
 - Network Connector – Power over Ethernet (PoE) shall be supplied by a UL 294 Listed Class 2 power limited injector that provides 44–57 V DC, 15.4 W and 4 hours of standby power. Compliance with IEEE 802.3 (at or af) specifications has not been verified as part of UL 294/B.
 - Tampering Alarm Pin Header – To comply with UL 294/7.2.1 (Enclosure), the tampering alarm shall be connected to a sound alarm.
- System Considerations
 - The Axis product, whether it is a standalone door controller or a system of door controllers, shall not impair the intended operation of the panic hardware used in conjunction with it.
- Wall and Ceiling Mount
 - If using a junction box to mount the Axis product, the junction box shall be UL Listed.
- Assign an IP Address
 - The functionality of AXIS Camera Management, see page 36, has not been evaluated by UL.
- Maintenance Instructions
 - For maintenance instructions (some steps require access to the product's webpages), see page 40. For information about how to configure the Axis product using the product's webpages (AXIS Entry Manager), see the User Manual.

English

System Considerations

The Axis product shall be installed within the secured area. The Axis product, whether it is a standalone door controller or a system of door controllers, shall not limit or waken the intended use of the devices connected to it. The Axis product should be installed on a wall (preferred) or a ceiling, with or without a junction box. It can also be installed on a DIN rail.

Safety Information

Read through this Installation Guide carefully before installing the product. Keep the Installation Guide for future reference.

Hazard Levels

Read through this Installation Guide carefully before installing the Axis product. Keep the Installation Guide for further reference.

▲ DANGER

Indicates a hazardous situation which, if not avoided, will result in death or serious injury.

▲ WARNING

Indicates a hazardous situation which, if not avoided, could result in death or serious injury.

▲ CAUTION

Indicates a hazardous situation which, if not avoided, could result in minor or moderate injury.

NOTICE

Indicates a situation which, if not avoided, could result in damage to property.

Other Message Levels

Important

Indicates significant information which is essential for the product to function correctly.

Note

Indicates useful information which helps in getting the most out of the product.

Safety Instructions

▲ WARNING

The Axis product shall be installed by a trained professional.

▲ CAUTION

- Never mount the Axis product while power is applied to the product. Always apply power at the end of the installation.
- Disconnect power before connecting any wires to the Axis product. Never make connections while power is applied to the product..

NOTICE

- The Axis product shall be used in compliance with local laws and regulations.
- To use the Axis product outdoors, or in similar environments, it shall be installed in an approved outdoor housing.
- Store the Axis product in a dry and ventilated environment.
- Avoid exposing the Axis product to vibration, shocks or heavy pressure.
- Do not install the product on unstable brackets, surfaces or walls.
- Use only applicable tools when installing the Axis product. Excessive force could cause damage to the product.
- Do not use chemicals, caustic agents, or aerosol cleaners. Use a damp cloth for cleaning.
- Use only accessories that comply with technical

specification of the product. These can be provided by Axis or a third party.

- Use only spare parts provided by or recommended by Axis.
- Do not attempt to repair the product by yourself. Contact Axis support or your Axis reseller for service matters.
- The product shall be connected using a shielded network cable (STP). All cables connecting the product to the network switch shall be shielded (STP) and intended for their specific use. Make sure that the network switch is properly grounded. For information about regulatory requirements, see *Regulatory Information*, on page 2.
- Use a Safety Extra Low Voltage (SELV) compliant limited power source (LPS) with either a rated output power limited to ≤ 100 W or a rated output current limited to ≤ 5 A.
- Each wire shall have an area that corresponds to an conductor gauge range of AWG 28–16 (CSA) or AWG 22–14 (cUL/JUL). Select cables in compliance with your local regulations.
- To allow for future maintenance, to avoid excessive strain on wires and connectors, and to avoid damage to conductor insulation, leave a service loop and make sure all cables and wires are properly supported and secured. Use the supplied cable ties.
- Make sure all the wires are connected correctly. Incorrect wiring could cause damage to the product.
- To protect the circuits against electrostatic discharge (ESD), use ESD protection when handling the product while the components and contacts are exposed.
- If using Power over Ethernet, wait with connecting the network cable to the network until all the other wires have been connected.
- If installing the door controller on a wall, make sure the cut-out for the cables is facing downward.

Important

- The recommended maximum reader data cable length is 30 m (98.4 ft).
- Before installing the product, connect the product to the network and configure the hardware in the product's hardware configuration pages. Use the generated hardware pin chart. Make sure the product is disconnected from power (PoE/DC) while connecting devices to the product.

Note

- For information about how to connect other wires, such as power wires to locks, readers and other devices, see the manufacturers' instructions.

Transportation

NOTICE

- When transporting the Axis product, use the original packaging or equivalent to prevent damage to the product.

Battery

The Axis product uses a 3.0 V BR/CR2032 lithium battery as the power supply for its internal real-time clock (RTC). Under normal conditions this battery will last for a minimum of five years.

Low battery power affects the operation of the RTC, causing it to reset at every power-up. When the battery needs replacing, a log message will appear in the product's server report. For more information about the server report, see the product's setup pages or contact Axis support.

The battery should not be replaced unless required, but if the battery does need replacing, contact Axis support at www.axis.com/techsup for assistance.

⚠ WARNING

- Risk of explosion if the battery is incorrectly replaced.
- Replace only with an identical battery or a battery which is recommended by Axis.

- Dispose of used batteries according to local regulations or the battery manufacturer's instructions.

Français

Considérations système

Le produit Axis doit être installé dans une zone sécurisée.

Le produit Axis, qu'il s'agisse d'un contrôleur de porte indépendant ou d'un système de contrôle de portes, ne doit pas limiter ou avoir un impact négatif sur l'utilisation à laquelle les périphériques qui lui sont raccordés sont destinés.

Le produit Axis doit être installé sur un mur (de préférence) ou un plafond avec ou sans boîte de jonction. Il peut également être installé sur un rail DIN.

Informations sur la sécurité

Lisez attentivement ce guide d'installation avant d'installer l'appareil. Conservez le guide d'installation pour toute référence ultérieure.

Niveaux de risques

Lisez attentivement ce guide d'installation avant d'installer l'appareil Axis. Conservez le guide d'installation pour toute référence ultérieure.

⚠ DANGER

Indique une situation dangereuse qui, si elle n'est pas évitée, entraîne le décès ou des blessures graves.

⚠ AVERTISSEMENT

Indique une situation dangereuse qui, si elle n'est pas évitée, pourrait entraîner le décès ou des blessures graves.

⚠ ATTENTION

Indique une situation dangereuse qui, si elle n'est pas évitée, pourrait entraîner des blessures légères ou modérées.

AVIS

Indique une situation qui, si elle n'est pas évitée, pourrait endommager l'appareil.

Autres niveaux de message

Important

Indique les informations importantes, nécessaires pour assurer le bon fonctionnement de l'appareil.

Note

Indique les informations utiles qui permettront d'obtenir le fonctionnement optimal de l'appareil.

Consignes de sécurité

⚠ AVERTISSEMENT

Le produit Axis doit être installé par un professionnel habilité.

⚠ ATTENTION

- N'installez jamais le produit Axis lorsque le produit est sous tension. Mettez sous tension une fois l'installation terminée.
- Coupez l'alimentation avant de brancher tous les câbles au produit Axis. Ne procédez jamais aux branchements si le produit est sous tension.

AVIS

- Le produit Axis doit être utilisé conformément aux lois et réglementations locales en vigueur.
- Pour pouvoir utiliser le produit Axis à l'extérieur, ou dans des environnements similaires, il doit être installé dans un boîtier d'extérieur homologué.
- Conserver ce produit Axis dans un environnement sec et ventilé.
- Ne pas exposer ce produit Axis aux vibrations, aux chocs ou

aux fortes pressions.

- Ne pas installer ce produit sur des supports, surfaces ou murs instables.
- Utiliser uniquement des outils recommandés pour l'installation de l'appareil Axis. Une force excessive appliquée sur l'appareil pourrait l'endommager.
- Ne pas utiliser de produits chimiques, de substances caustiques ou de nettoyants pressurisés. Nettoyer à l'aide d'un tissu humide.
- Utiliser uniquement des accessoires conformes aux caractéristiques techniques du produit. Ils peuvent être fournis par Axis ou un tiers.
- Utiliser uniquement les pièces de rechange fournies ou recommandées par Axis.
- Ne pas essayer de réparer ce produit par vous-même. Contacter l'assistance technique d'Axis ou votre revendeur Axis pour des problèmes liés à l'entretien.
- Le produit doit être connecté à l'aide d'un câble réseau blindé (STP). Tous les câbles reliant le produit au commutateur réseau doivent être blindés (STP) et destinés à leur usage spécifique. Assurez-vous que le commutateur réseau est convenablement mis à la terre. Pour plus d'informations sur les exigences réglementaires, consultez *Regulatory Information*, on page 2.
- Utilisez une source d'alimentation limitée (LPS) conforme aux exigences de Très basse tension de sécurité (TBTS) dont la puissance de sortie nominale est limitée à ≤ 100 W ou dont le courant de sortie nominal est limité à ≤ 5 A.
- Chaque câble doit comporter une zone correspondant à un calibre de conducteur de 28 à 16 AWG (CSA) ou 22 à 14 AWG (cUL/UL). Sélectionnez des câbles conformes à la législation locale.
- Pour permettre une maintenance future, éviter une pression excessive sur les câbles et les connecteurs et éviter d'endommager l'isolation des conducteurs, laissez un espace d'entretien et assurez-vous que tous les câbles et fils sont correctement soutenus et sécurisés. Utilisez les frettes de câble fournies.
- Assurez-vous que tous les câbles sont correctement raccordés. Un câblage incorrect pourrait endommager le produit.
- Pour protéger les circuits contre les décharges électrostatiques (ESD), utilisez une protection électrostatique lorsque vous manipulez le produit alors que ses composants ou contacts sont exposés.
- Si vous utilisez l'alimentation par Ethernet, attendez avant de raccorder le câble réseau au réseau que tous les autres câbles soient branchés.
- Si vous installez le contrôleur de porte sur un mur, veillez à ce que la découpe destinée au câble soit orientée vers le bas.

Important

- La longueur maximale recommandée de câble de données du lecteur est de 30 mètres (98,4 pieds).
- Avant d'installer le produit, raccordez le produit au réseau et configurez le matériel dans les pages de configuration matérielle du produit. Utilisez le schéma des brochures du matériel généré. Assurez-vous que le produit n'est pas alimenté (alimentation par Ethernet/CC) lorsque vous lui branchez des périphériques.

Note

- Pour plus d'informations sur le raccordement des autres câbles tels que les câbles de raccordement aux verrous, lecteurs et autres périphériques, reportez-vous aux instructions du fabricant.

Transport

AVIS

- Lors du transport du produit Axis, utilisez l'emballage d'origine ou un équivalent pour éviter d'endommager le produit.

Batterie

Le produit Axis utilise une batterie au lithium BR/CR2032 3,0 V comme alimentation de son horloge en temps réel interne (RTC). Dans des conditions normales, cette batterie a une durée de vie minimale de cinq ans.

Si la batterie est faible, le fonctionnement de l'horloge en temps réel peut être affecté et entraîner sa réinitialisation à chaque mise sous tension. Un message s'affiche dans le rapport de serveur du produit lorsque la batterie doit être remplacée. Pour tout complément d'information concernant le rapport de serveur, reportez-vous aux pages de Configuration du produit ou contactez l'assistance technique d'Axis.

La batterie doit être remplacée uniquement en cas de besoin, et pour ce faire, contactez l'assistance technique d'Axis à l'adresse www.axis.com/techsup pour obtenir de l'aide.

⚠ AVERTISSEMENT

- Risque d'explosion si la batterie est remplacée de façon incorrecte.
- Remplacez-la uniquement par une batterie identique ou une batterie recommandée par Axis.
- Mettez au rebut les batteries usagées conformément aux réglementations locales ou aux instructions du fabricant de la batterie.

Deutsch

Systembedingungen

Das Axis Produkt muss in einem sicheren Bereich installiert werden.

Das Axis Produkt, entweder ein eigenständiger Tür-Controller oder ein System von Tür-Controllern, darf die beabsichtigte Verwendungsweise der daran angeschlossenen Geräte nicht einschränken oder beeinträchtigen.

Das Axis Produkt sollte an einer Wand (empfohlen) oder einer Decke mit oder ohne Anschlussdose installiert werden. Die Installation auf einer DIN-Schiene ist ebenfalls möglich.

Sicherheitsinformation

Lesen Sie das Installationshandbuch sorgfältig durch, bevor Sie das Produkt installieren. Bewahren Sie das Installationshandbuch für zukünftige Zwecke auf.

Gefährdungsstufen

Lesen Sie das Installationshandbuch sorgfältig durch bevor sie das Axis Produkt installieren. Halten Sie die Installationsanleitung bereit, falls Sie darauf zurückgreifen müssen.

⚠ GEFAHR

Weist auf eine gefährliche Situation hin, welche, falls nicht verhindert, zu Tod oder schweren Verletzungen führt.

⚠ WARNUNG

Weist auf eine gefährliche Situation hin, welche, falls nicht verhindert, zu Tod oder schweren Verletzungen führen kann.

⚠ VORSICHT

Weist auf eine gefährliche Situation hin, welche, falls nicht verhindert, zu geringfügiger oder mäßiger Verletzung führen kann.

HINWEIS

Weist auf eine gefährliche Situation hin, welche, falls nicht verhindert, zu Sachschäden führen kann.

Weitere Nachrichtenstufen

Wichtig

Weist auf wichtige Informationen hin, die den richtigen Betrieb des Produkts gewährleisten.

Beachten

Weist auf nützliche Informationen hin, die die optimale Verwendung des Produkts unterstützen.

Sicherheitsanweisungen

⚠️ WARNUNG

Das Axis Produkt muss von fachmännischem Personal installiert werden.

⚠️ VORSICHT

- Das Axis Produkt darf nicht montiert werden, während es mit Strom versorgt wird. Schalten Sie die Stromversorgung immer erst am Ende der Installation ein.
- Trennen Sie das Gerät vom Stromnetz, bevor Sie Kabel an das Axis Produkt anschließen. Stellen Sie niemals Verbindungen her, während das Produkt mit Strom versorgt wird.

HINWEIS

- Die Anwendung des Axis Produkts muss unter Beachtung der örtlich geltenden rechtlichen Bestimmungen erfolgen.
- Bei der Anwendung von Axis Produkten im Außenbereich oder ähnlichen Umgebungen, müssen diese in zugelassenen Außengehäusen installiert werden.
- Lagern Sie das Axis Produkt in einer trockenen und belüfteten Umgebung.
- Achten Sie darauf, dass das Axis Produkt keinen Vibrationen, Stößen oder starkem Druck ausgesetzt ist.
- Installieren Sie das Produkt nicht an instabilen Halterungen, Oberflächen oder Wänden.
- Verwenden Sie bei der Installation des Axis Produkts ausschließlich passende Werkzeuge. Ein zu großer Kraftaufwand kann das Produkt beschädigen.
- Verwenden Sie keine chemischen, ätzenden oder aerosolhaltigen Reinigungsmittel. Verwenden Sie zur Reinigung ein feuchtes Tuch.
- Verwenden Sie nur Zubehör, das den technischen Daten des Produkts entspricht. Dieses ist von Axis oder Drittanbietern erhältlich.
- Verwenden Sie ausschließlich Ersatzteile die von Axis bereitgestellt oder empfohlen werden.
- Versuchen Sie nicht, das Produkt selbstständig zu reparieren. Wenden Sie sich bezüglich Reparatur und Wartung an den Axis Support oder Ihren Axis Händler.
- Das Produkt muss mit einem abgeschirmten Netzkabel (STP) angeschlossen werden. Alle Kabel, die das Produkt mit dem Netzwerkschalter verbinden, müssen abgeschirmt (STP) und nur für die bestimmte Anwendung eingesetzt werden. Stellen Sie sicher, dass der Netzwerkschalter vorschriftsmäßig geerdet ist. Informationen zu gesetzlichen Bestimmungen finden Sie unter *Regulatory Information*, on page 2.
- Verwenden Sie eine mit den Anforderungen für Schutzkleinspannung (SELV) kompatible Stromquelle mit begrenzter Leistung (LPS) mit einer Nennausgangsleistung von ≤ 100 W oder einem dauerhaft auf ≤ 5 A begrenzten Nennausgangsstrom.
- Jeder Draht muss einen Querschnitt aufweisen, der einem Bereich von AWG 28–16 (CSA) bzw. AWG 22–14 (cUL/UL) entspricht. Verwenden Sie Kabel, die den örtlichen Vorschriften entsprechen.
- Fügen Sie eine Kabelschleife ein, um zukünftige Wartungsarbeiten zu erleichtern, um übermäßige Zugkraft an Kabeln und Steckverbindern zu verhindern und um

Schäden an der Aderisolierung zu vermeiden. Stellen Sie sicher, dass Kabel und Drähte ordnungsgemäß gestützt und gesichert werden. Verwenden Sie die mitgelieferten Kabelbinder.

- Stellen Sie sicher, dass alle Drähte ordnungsgemäß angeschlossen sind. Eine fehlerhafte Verdrahtung kann das Produkt beschädigen.
- Um die Stromkreise vor elektrostatischer Entladung (ESD) zu schützen, ist bei der Handhabung des Produkts ein ESD-Schutz zu verwenden, wenn Komponenten und Kontakte freiliegen.
- Wenn Sie Power over Ethernet verwenden, darf das Netzkabel erst an das Netzwerk angeschlossen werden, nachdem alle anderen Kabel angeschlossen wurden.
- Wenn der Tür-Controller an einer Wand installiert wird, muss die Aussparung für die Kabel nach unten zeigen.

Wichtig

- Die empfohlene maximale Länge des Leser-Datenkabels beträgt 30 m.
- Schließen Sie das Produkt vor der Installation an das Netzwerk an und konfigurieren Sie die Hardware auf den Hardwarekonfigurationsseiten des Produkts. Verwenden Sie die generierte Hardwareanschlussbelegung. Stellen Sie sicher, dass das Produkt von der Stromversorgung (PoE/Gleichstrom) getrennt ist, wenn Sie Geräte daran anschließen.

Beachten

- Informationen über das Anschließen weiterer Kabel, wie z. B. Stromkabel für Schösser, Leser und andere Geräte, finden Sie in den Anweisungen des Herstellers.

Transport

HINWEIS

- Transportieren Sie das Axis Produkt ggf. in der Originalverpackung oder einer entsprechenden Verpackung, sodass Schäden vermieden werden.

Batterie

Das Axis-Produkt ist mit einer 3,0V-BR/CR2032-Lithium-Batterie ausgestattet, mit der die interne Echtzeituhr (RTC) versorgt wird. Unter normalen Bedingungen hat die Batterie eine Lebensdauer von mindestens fünf Jahren.

Bei entladener Batterie ist der Betrieb der Echtzeituhr nicht mehr gewährleistet, sodass die Uhr bei jedem Systemstart zurückgesetzt wird. Sie erhalten eine Protokollnachricht im Serverbericht des Produkts, wenn ein Batteriewechsel erforderlich ist. Weitere Informationen über den Serverbericht finden Sie auf den Setup-Seiten des Produkts oder wenden Sie sich an den Axis-Support. Die Batterie sollte nur bei Bedarf ersetzt werden. Wenden Sie sich in diesem Fall an den Axis Support unter www.axis.com/techsup for assistance.

⚠️ WARNUNG

- Explosionsgefahr bei fehlerhaftem Batteriewechsel.
- Die Batterie darf nur durch eine identische Batterie oder eine von Axis empfohlene Batterie ersetzt werden.
- Verbrauchte Batterien sind gemäß den örtlichen Vorschriften oder den Anweisungen des Herstellers zu entsorgen.

Italiano

Considerazioni sul sistema

Il prodotto Axis deve essere installato all'interno dell'area protetta.

Il prodotto Axis, sia nella forma di door controller indipendente che di sistema di door controller, non deve limitare o ridurre la destinazione d'uso dei dispositivi collegati.

Il prodotto Axis deve essere installato a parete (metodo consigliato) o a soffitto, con o senza una scatola di derivazione. Può essere installato anche su una guida DIN.

Informazioni di sicurezza

Leggere con attenzione questa Guida all'Installazione prima di installare il prodotto. Conservare la Guida all'installazione per futuro riferimento.

Livelli di pericolo

Leggere con attenzione questa Guida all'Installazione prima di installare il prodotto Axis. Conservare la Guida all'installazione per farvi ulteriore riferimento.

▲ PERICOLO

Indica una situazione pericolosa che, se non evitata, provoca morte o lesioni gravi.

▲ AVVERTENZA

Indica una situazione pericolosa che, se non evitata, può provocare la morte o lesioni gravi.

▲ ATTENZIONE

Indica una situazione pericolosa che, se non evitata, può provocare lesioni medie o minori.

AVVISO

Indica una situazione che, se non evitata, può danneggiare la proprietà.

Altri livelli di messaggio

Importante

Indica informazioni importanti, essenziali per il corretto funzionamento del prodotto.

Nota

Indica informazioni utili che aiutano a ottenere il massimo dal prodotto.

Istruzioni di sicurezza

▲ AVVERTENZA

Il prodotto Axis deve essere installato da un professionista qualificato.

▲ ATTENZIONE

- Non montare mai il prodotto Axis mentre viene alimentato. Applicare l'alimentazione sempre al termine dell'installazione.
- Scollegare l'alimentazione prima di collegare qualsiasi cavo al prodotto Axis. Non effettuare mai collegamenti mentre il prodotto viene alimentato.

AVVISO

- Il prodotto Axis deve essere utilizzato in conformità alle leggi e alle disposizioni locali.
- Per utilizzare il prodotto Axis in ambienti esterni, o in ambienti simili, è necessario installarlo in una custodia per esterni approvata.
- Conservare il prodotto Axis in un ambiente asciutto e ventilato.
- Evitare di esporre il prodotto Axis a vibrazioni, urti o pressioni eccessive.
- Non installare il prodotto su supporti, superfici o pareti instabili.
- Per l'installazione del prodotto Axis utilizzare solo

strumenti adeguati. Una forza eccessiva può causare danni al prodotto.

- Non utilizzare sostanze chimiche, agenti caustici o detergenti spray. Utilizzare un panno umido per la pulizia.
- Utilizzare solo accessori conformi alle specifiche tecniche del prodotto. Questi possono essere forniti da Axis o da terze parti.
- Utilizzare solo parti di ricambio fornite o consigliate da Axis.
- Non tentare di riparare il prodotto da soli. Per le questioni relative alla manutenzione, contattare l'assistenza o il rivenditore Axis.
- Il prodotto deve essere collegato con un cavo di rete schermato (STP). Tutti i cavi che collegano il prodotto allo switch di rete devono essere schermati (STP) e destinati al loro uso specifico. Assicurarsi che lo switch di rete sia correttamente messo a terra. Per maggiori informazioni sui requisiti normativi, consultare *Regulatory Information*, on page 2.
- Utilizzare una sorgente di alimentazione limitata (LPS) compatibile con una bassissima tensione di sicurezza (SELV) con una potenza di uscita nominale limitata a ≤ 100 W o una corrente nominale di uscita limitata a ≤ 5 A.
- Per ogni cavo deve essere disponibile un'area corrispondente all'intervallo dei calibri dei conduttori 28-16 AWG (CSA) o 22-14 AWG (cUL/UL). Selezionare i cavi nel rispetto delle normative locali.
- Per consentire la manutenzione futura, per evitare di sottoporre cavi e connettori a eccessiva tensione e per evitare danni all'isolamento dei conduttori, lasciare un tratto dei cavi disponibile e verificare che non vi siano cavi pendenti o non fissati saldamente. Utilizzare le apposite fascette in dotazione.
- Verificare che tutti i cavi siano collegati correttamente. Un collegamento non corretto può causare danni al prodotto.
- Per proteggere i circuiti dalle scariche elettrostatiche (ESD), utilizzare appropriate protezioni ESD per maneggiare il prodotto quando componenti e contatti sono esposti.
- Se si utilizza il Power over Ethernet, collegare il cavo di rete alla rete solo dopo aver collegato tutti gli altri cavi.
- Quando si installa il door controller a parete, assicurarsi che la foratura per i cavi sia rivolta verso il basso.

Importante

- La lunghezza massima consigliata del cavo dei lettore dati è di 30 m (98,4 ft).
- Prima di installare il prodotto, collegare il prodotto alla rete e configurare l'hardware nelle pagine di configurazione hardware del prodotto. Usare lo schema dei pin hardware generato. Assicurarsi che il prodotto sia scollegato dall'alimentazione (PoE/CC) mentre si collegano dispositivi al prodotto.

Nota

- Per informazioni sul collegamento degli altri cavi, quali i cavi di alimentazione di serrature, lettori e altri dispositivi, consultare le istruzioni dei produttori.

Trasporto

AVVISO

- Durante il trasporto del prodotto Axis, utilizzare l'imballaggio originale o equivalente per evitare danni al prodotto.

Batteria

Il prodotto Axis utilizza una batteria al litio da 3,0 V BR/CR2032 come alimentazione per il suo real-time clock (RTC) interno. In condizioni normali questa batteria avrà una durata minima di cinque anni.

Una bassa carica della batteria influisce sul funzionamento del RTC, facendolo resettare a ogni accensione. Quando la

batteria deve essere sostituita, un messaggio di registro viene visualizzato nel server report del prodotto. Per ulteriori informazioni sul server report, consultare le pagine di configurazione del prodotto o contattare l'assistenza Axis. La batteria non deve essere sostituita se non richiesto, ma nel caso in cui questo fosse necessario, contattare l'assistenza Axis all'indirizzo www.axis.com/techsup per ottenere le indicazioni del caso.

⚠️ AVVERTENZA

- Rischio di esplosione se la batteria viene sostituita in modo errato.
- Sostituire solo con una batteria identica o una batteria consigliata da Axis.
- Smaltire le batterie usate in base alle normative locali o alle istruzioni del produttore della batteria.

Español

Consideraciones sobre el sistema

El producto de Axis debe instalarse en un área segura. El producto de Axis, tanto si es un controlador de puerta independiente o un sistema de controladores de puerta, no debería limitar ni debilitar el funcionamiento previsto de los sistemas con los que se conecta. El producto de Axis debe instalarse en una pared (opción recomendada) o en el techo (con o sin caja de conexiones). También se puede instalar en un rail DIN.

Información de seguridad

Lea esta Guía de instalación con atención antes de instalar el producto. Guarde la Guía de instalación para poder consultarla en otro momento.

Niveles de peligro

Lea esta Guía de instalación con atención antes de instalar el producto de Axis. Guarde la Guía de instalación para poder consultarla cuando desee.

⚠️ PELIGRO

Indica una situación peligrosa que, si no se evita, provocará lesiones graves o la muerte.

⚠️ ADVERTENCIA

Indica una situación peligrosa que, si no se evita, puede provocar lesiones graves o la muerte.

⚠️ ATENCIÓN

Indica una situación peligrosa que, si no se evita, puede provocar lesiones moderadas o leves.

AVISO

Indica una situación peligrosa que, si no se evita, puede provocar daños materiales.

Otros niveles de mensaje

Importante

Indica información importante que es fundamental para que el producto funcione correctamente.

Nota

Indica información útil que ayuda a aprovechar el producto al máximo.

Instrucciones de seguridad

⚠️ ADVERTENCIA

El encargado de instalar el producto de Axis debe ser un profesional con experiencia.

⚠️ ATENCIÓN

- No monte nunca el producto de Axis mientras el dispositivo esté conectado a la alimentación. Conecte siempre la alimentación al final de la instalación.
- Desconecte la alimentación antes de conectar cualquier

cable al producto de Axis. Nunca efectúe conexiones mientras el dispositivo esté conectado a la alimentación.

AVISO

- El producto de Axis debe utilizarse de acuerdo con la legislación y la normativa locales.
- Para usar el producto de Axis en exteriores, o en entornos similares, debe instalarse en una carcasa exterior aprobada.
- Almacene el producto de Axis en un entorno seco y ventilado.
- Evite la exposición del producto de Axis a vibraciones, choques o a una fuerte presión.
- No instale el producto en soportes, superficies o paredes inestables.
- Utilice solo las herramientas correspondientes cuando instale el producto de Axis. La aplicación de una fuerza excesiva puede provocar daños en el producto.
- No utilice limpiadores en aerosol, agentes cáusticos ni productos químicos. Use un paño húmedo para la limpieza.
- Utilice solo accesorios que cumplan con las especificaciones técnicas del producto. Estos accesorios los puede proporcionar Axis o un tercero.
- Utilice solo piezas de repuesto proporcionadas o recomendadas por Axis.
- No intente reparar el producto usted mismo. Póngase en contacto con el servicio de asistencia técnica de Axis o con su distribuidor de Axis para tratar asuntos de reparación.
- El producto se conectará mediante un cable de red blindado (STP). Todos los cables que conecten el producto al conmutador de red deberán estar blindados (STP) y diseñados para su uso específico. Asegúrese de que el conmutador de red disponga de una conexión a tierra adecuada. Para obtener información sobre los requisitos normativos, consulte *Regulatory Information*, on page 2.
- Use una fuente de alimentación limitada (LPS) que cumpla los requisitos de tensión muy baja de seguridad (SELV) con una potencia nominal de salida limitada a ≤ 100 W o una corriente nominal de salida limitada a ≤ 5 A.
- Cada cable debe tener un área que se corresponda con un rango de calibre de conductor de AWG 28–16 (CSA) o AWG 22–14 (cUL/UL). Elija cables que cumplan la normativa local aplicable.
- Para facilitar el mantenimiento futuro, evitar excesiva tensión en los cables y conectores y evitar daños en el aislamiento del conductor, deje un bucle de servicio y asegúrese de que todos los cables estén correctamente fijados y seguros. Utilice las abrazaderas para cables suministradas.
- Asegúrese de que todos los cables estén correctamente conectados. Un cableado incorrecto podría causar daños en el producto.
- Para proteger los circuitos frente a descargas electrostáticas (ESD), use protección ESD al manipular el producto mientras los componentes y contactos estén expuestos.
- Si utiliza alimentación a través de Ethernet, no conecte el cable de red a la red hasta que los demás cables se hayan conectado.
- Si está instalando el controlador de puerta en una pared, asegúrese de que la pieza de corte de los cables esté mirando hacia abajo.

Importante

- La longitud máxima recomendada para el cable de datos del lector es 30 m.
- Antes de instalar el producto, conéctelo a la red y configure el hardware mediante las páginas de configuración del hardware del producto. Use el gráfico de pines del hardware generado. Asegúrese de que el producto esté desconectado de la alimentación (PoE/CC) mientras

conecte los dispositivos al producto.

Nota

- Para obtener información acerca de cómo conectar otros cables, por ejemplo, los cables de alimentación a los bloqueos, los lectores y otros dispositivos, consulte las instrucciones de los fabricantes.

Transporte

AVISO

- Cuando transporte el producto de Axis, utilice el embalaje original o un equivalente para evitar daños en el producto.

Batería

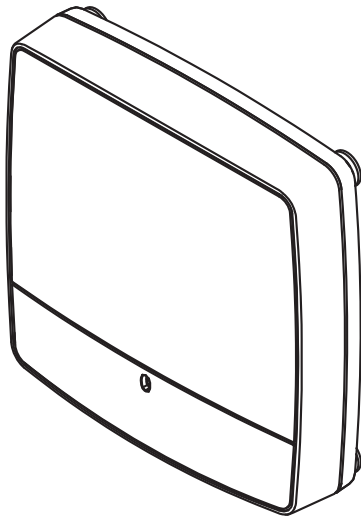
Este producto de Axis utiliza una batería de litio BR/CR2032 de 3,0V como fuente de alimentación del reloj interno en tiempo real. En condiciones normales, esta batería durará un mínimo de cinco años.

Un nivel bajo de batería afectará al funcionamiento del reloj en tiempo real, lo que provocará el restablecimiento de este cada vez que se encienda el producto. Cuando sea necesario sustituir la batería, aparecerá un mensaje de registro en el informe del servidor del producto. Para obtener más información sobre el informe del servidor, consulte las páginas de configuración del producto o póngase en contacto con el servicio de asistencia técnica de Axis.

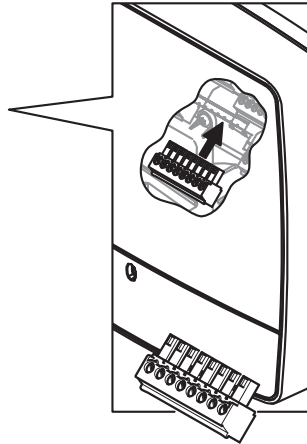
La batería no debe sustituirse a menos que sea necesario; no obstante, si precisa hacerlo, póngase en contacto con el servicio de asistencia técnica de Axis en www.axis.com/techsup para obtener asistencia.

⚠ ADVERTENCIA

- La sustitución incorrecta de la batería implica riesgo de explosión.
- Sustituya la batería por una batería idéntica u otra batería recomendada por Axis.
- Deseche las baterías usadas de conformidad con la normativa local o las instrucciones del fabricante.



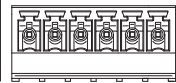
1x



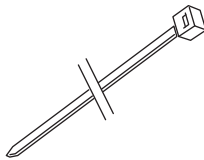
1x



5x



5x



4x



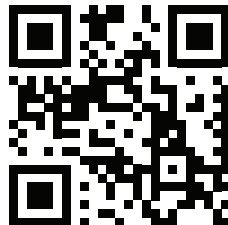
1x



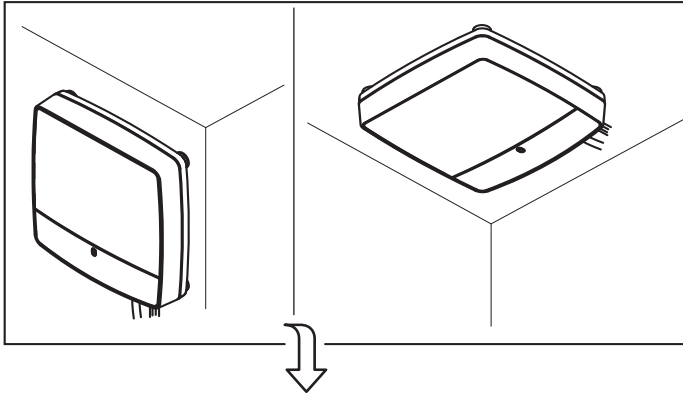
1x



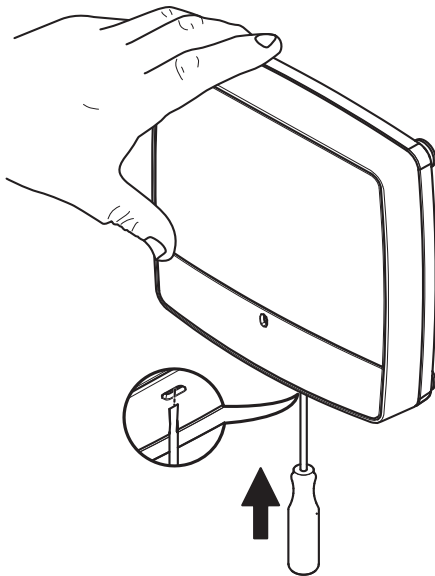
2x



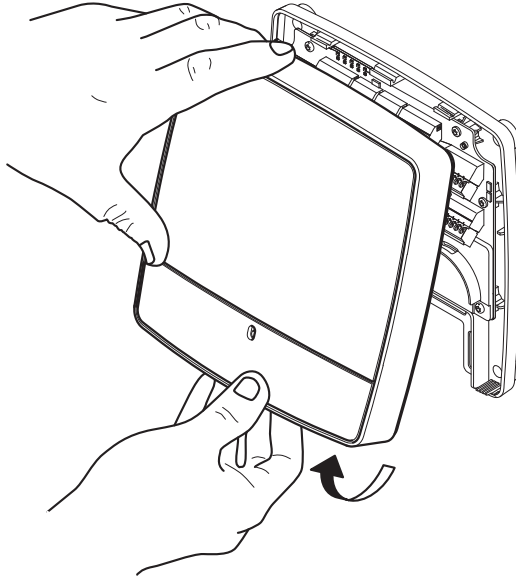
www.axis.com/techsup



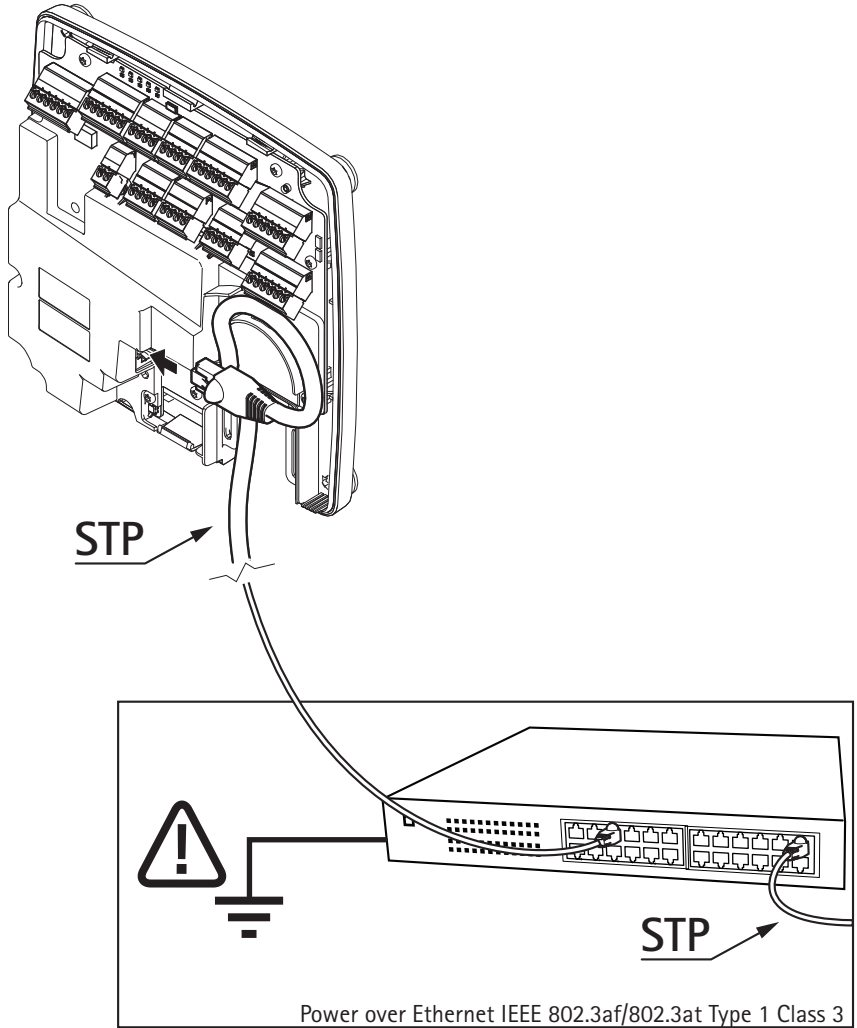
1



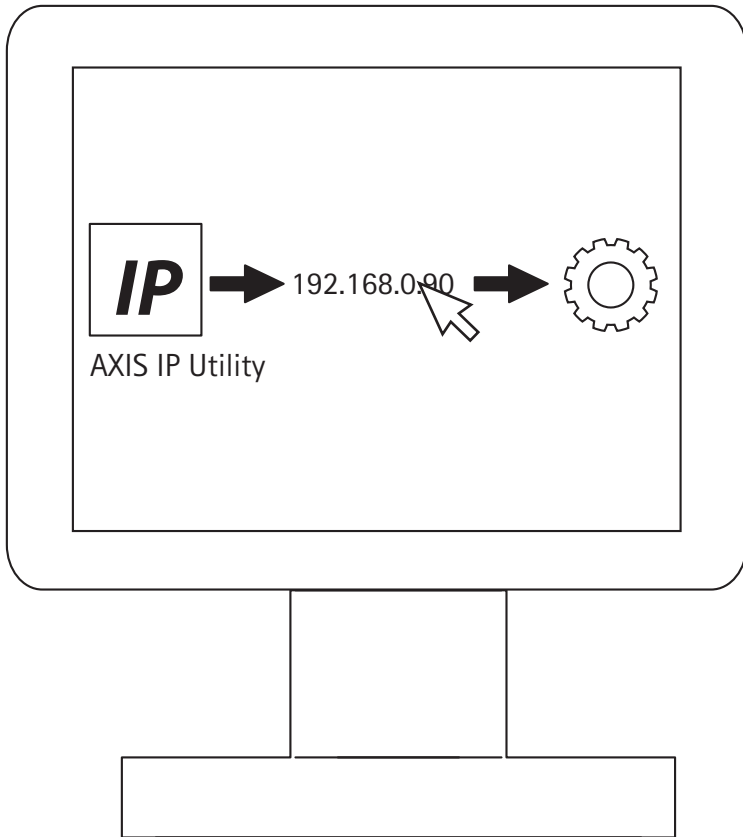
2


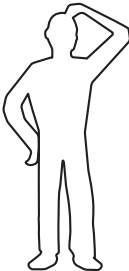




3



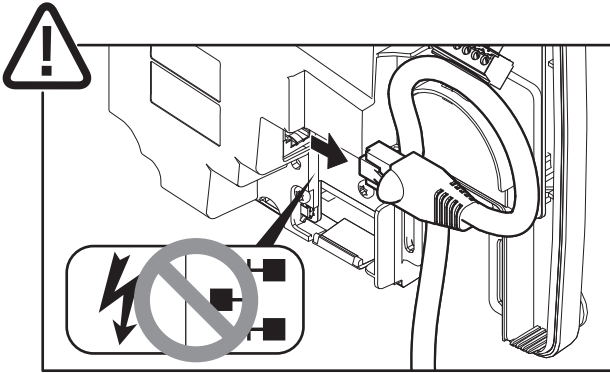
4



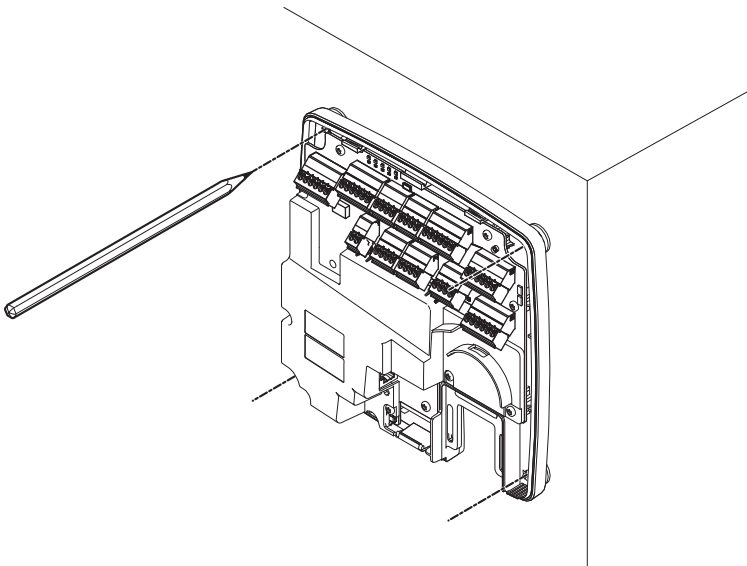
   
www.axis.com/techsup

This block contains an information icon (a lowercase 'i' in a circle) on the left. To its right is a line-art icon of a person with their hand on their head, suggesting a problem or need for help. A thick arrow points from this icon to a large QR code. Below the QR code is the URL www.axis.com/techsup.

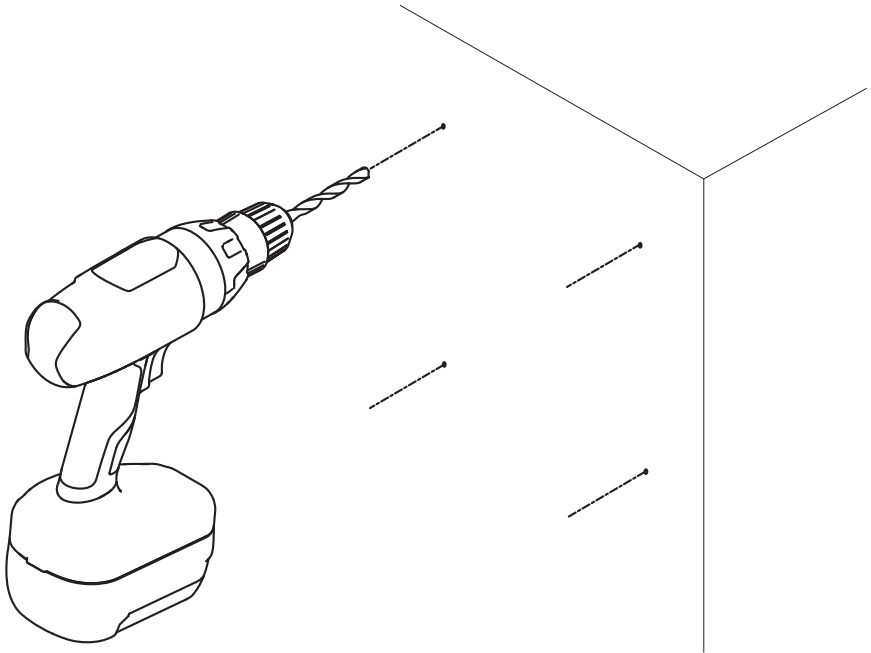
5



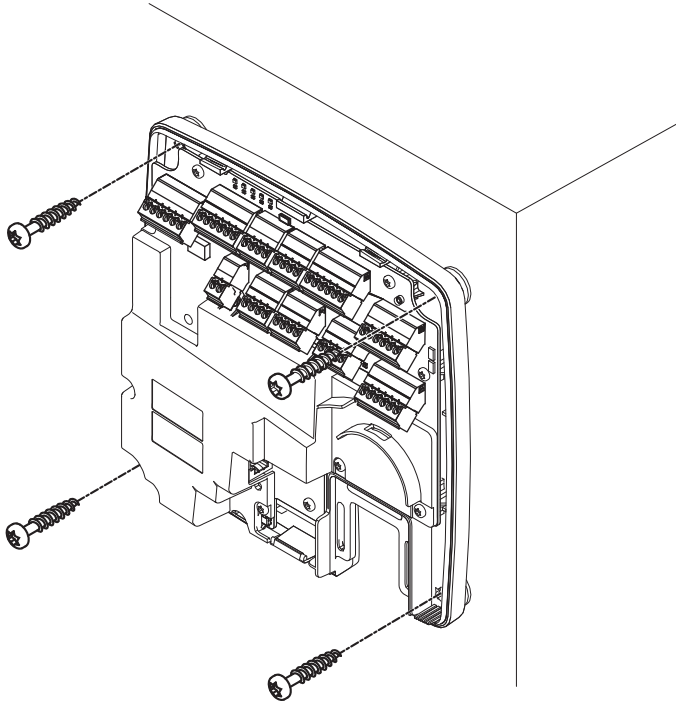
6



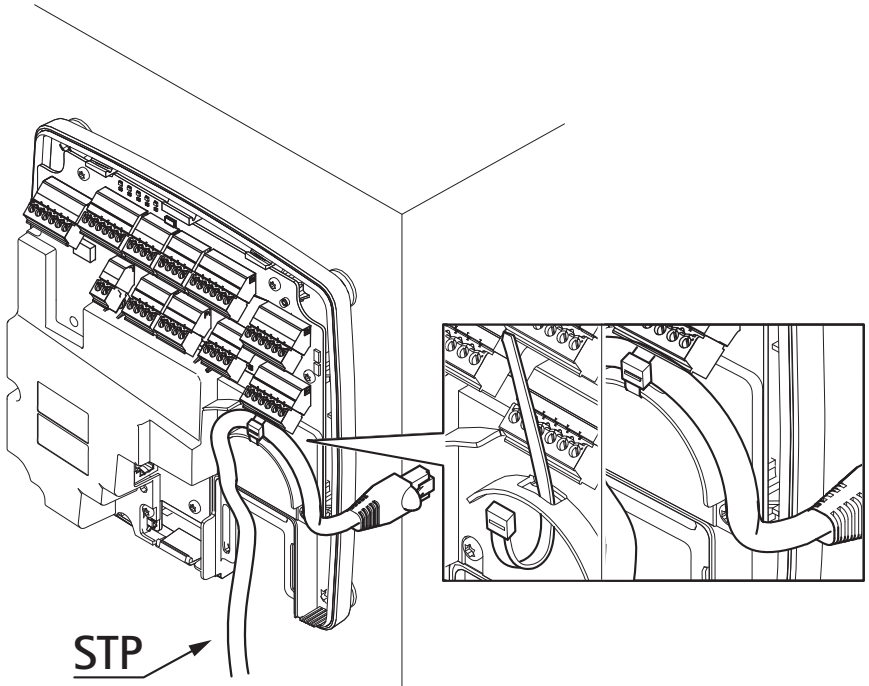
7



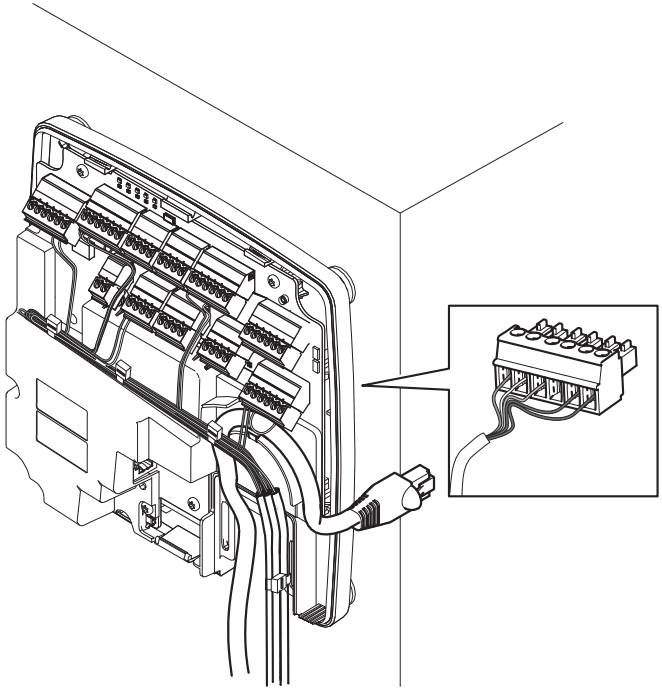
8



9



10



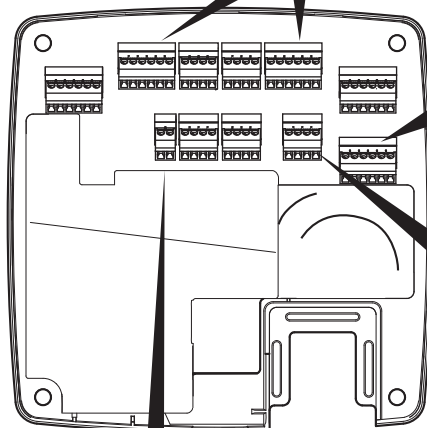
Reader I/O connector (2x)

DC output: 12 V DC, max 300 mA
 2x 4 configurable inputs/outputs:
 Digital input: 0 to max 40 V DC
 Digital output: 0 to max 40 V DC,
 open drain, 100 mA



AWG 28–16 (CSA)
 AWG 30–14 (cUL/UL)

READER I/O 1 & 2



Power & Relay connector

DC output: 12 V DC, max 500 mA
 Relay: 30 V DC, max 700 mA

RELAY & PWR

Power lock connector

2x 12 V DC
 0 V DC, floating, or 12 V DC,
 max total load: 500 mA

LOCK

Power connector

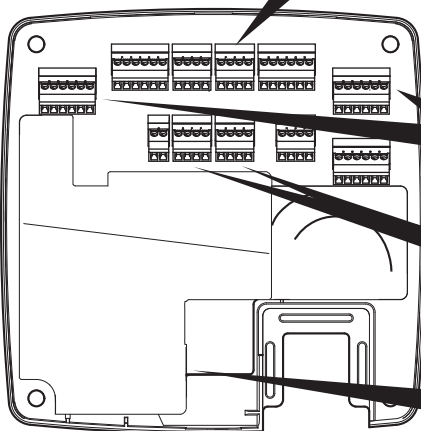
DC input: 10–30 V DC,
 max 26 W
 Max load on
 outputs: 14 W

DC IN

Auxiliary connector

DC output: 3.3 V DC, max 100 mA
 Digital input: 0 to max 40 V DC;
 Digital output: 0 to max 40 V DC,
 open drain, 100 mA

AUX



Reader data connector (2x)

Max cable length: 30 m (98.4 ft)
 RS485 full duplex
 RS485 half duplex
 Wiegand

READER DATA 1 & 2

Door connector (2x)

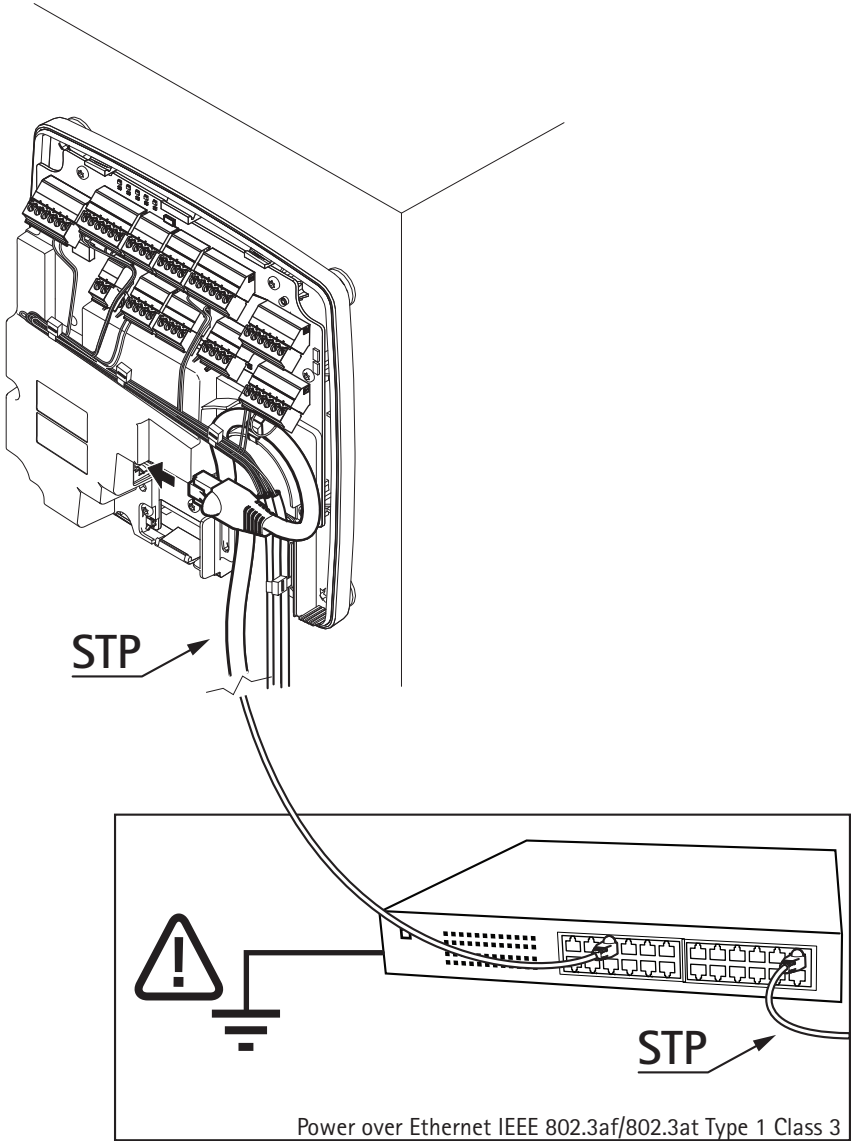
Digital input: 0 to max 40 V DC

DOOR IN 1 & 2

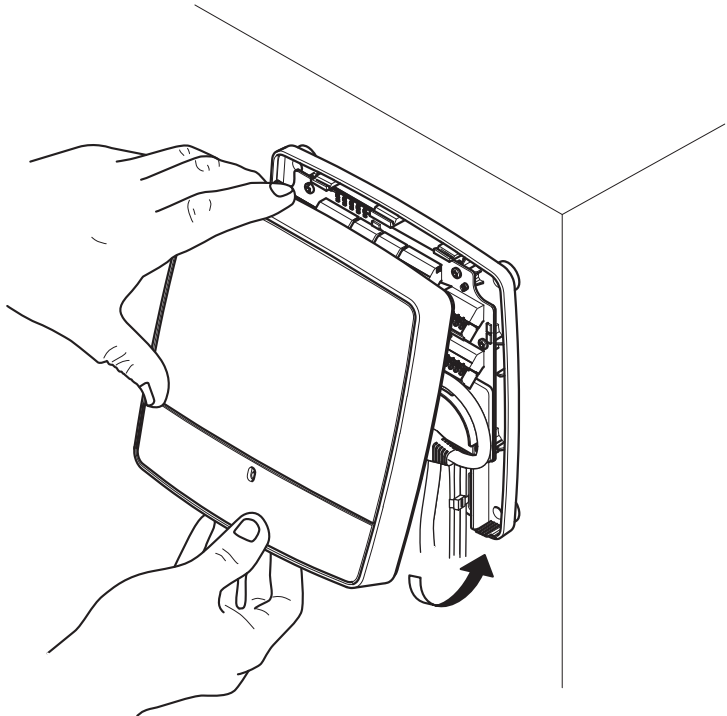
Network Connector

RJ45, PoE IEEE 802.3af/
 802.3at Type 1 Class 3
 Max load on outputs: 7.5 W

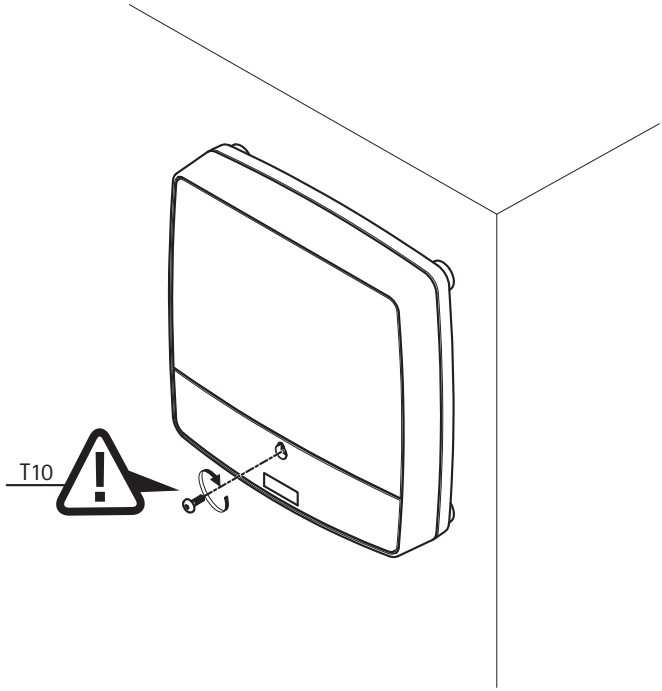
11



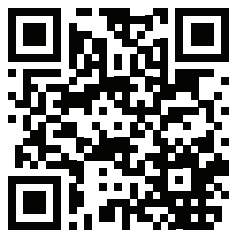
12



13



i



www.axis.com/warranty

Installation Guide

Ver.2.0

AXIS A1001 Network Door Controller

Printed: October 2014

© Axis Communications AB, 2013–2014

Part No. 59869

Free Manuals Download Website

<http://myh66.com>

<http://usermanuals.us>

<http://www.somanuals.com>

<http://www.4manuals.cc>

<http://www.manual-lib.com>

<http://www.404manual.com>

<http://www.luxmanual.com>

<http://aubethermostatmanual.com>

Golf course search by state

<http://golfingnear.com>

Email search by domain

<http://emailbydomain.com>

Auto manuals search

<http://auto.somanuals.com>

TV manuals search

<http://tv.somanuals.com>