

INSTALLATION GUIDE

YP3040 Pan-Tilt Motor

ENGLISH

FRANÇAIS

DEUTSCH

ITALIANO

ESPAÑOL



About this Document

This document includes instructions for installing the YP3040 Pan-Tilt Motor.

Legal Considerations


Video and audio surveillance can be prohibited by laws that vary from country to country. Check the laws in your local region before using this product for surveillance purposes.

Electromagnetic Compatibility (EMC)

If use of this equipment causes harmful interference to radio or television reception, which can be determined by turning the equipment off an on, the user is encouraged to try to correct the interference by one of more of the following measures: Re-orient or relocate the receiving antenna. Increase the separation between the equipment and receiver. Connect the equipment to an outlet on a different circuit to the receiver. Consult your dealer or an experienced radio/TV technician for help. Shielded (STP) network cables must be used with this unit to ensure compliance with EMC standards.

USA - This equipment has been tested and found to comply with the limits for a Class A digital device, pursuant to Part 15 of the FCC rules. These limits are designed to provide reasonable protection against harmful interference when the equipment is operated in a commercial environment. This equipment generates, uses and can radiate radion frequency energy and, if not installed and used in accordance with the instruction manual, may cause harmful interference to radion communications. Operation of this equipment in a residential area is likely to cause interference, in which case the user will be required to correct the interference at his own expense.

Canada - This Class A digital apparatus complies with Canadian ICES-003.

Europe -  This digital equipment fulfills the requirements for radiated emission according to limit A of EN55022/1998, and the requirements for immunity according to EN55024/1998 residential, commercial, and industry.

Warning! This is a Class A product. In a domestic environment this product may cause radio interference, in which case the user may be required to take adequate measures.

Japan - This is a class A product based on the standard of the Voluntary Control Council for Interference by Information Technology Equipment VCCI. If this equipment is used in a domestic environment, radio disturbance may arise.

この装置は、クラスA情報技術装置です。この装置を家庭環境で使用すると電波妨害を引き起こすことがあります。この場合には使用者が適切な対策を講ずるよう要求されることがあります。

VCCI-A

Australia - This electronic device meets the requirements of the Radio communications (Electromagnetic Compatibility) Standard AS/NZS CISPR22:2002. This is a class A product In a domestic environment this product may cause radio interference in which case the user may be required to take adequate measures.

Korea - This equipment has obtained EMC registration for business use (Class A), and is intended for use in commercial environments.

Equipment Modifications

This equipment must be installed and used in strict accordance with the instructions given in the user documentation. This equipment contains no user-serviceable components. Unauthorized equipment changes or modifications will invalidate all applicable regulatory certifications and approvals.

Liability

Every care has been taken in the preparation of this document. Please inform your local Axis office of any inaccuracies or omissions. Axis Communications AB cannot be held responsible for any technical or typographical errors and reserves the right to make changes to the product and documentation without prior notice. Axis Communications AB makes no warranty of any kind with regard to the material contained within this document, including, but not limited to, the implied warranties of merchantability and fitness for a particular purpose. Axis Communications AB shall not be liable nor responsible for incidental or consequential damages in connection with the furnishing, performance or use of this material.

RoHS

This product complies with both the European RoHS directive, 2002/95/EC, and the Chinese RoHS regulations, ACPEIP.



WEEE Directive

The European Union has enacted a Directive 2002/96/EC on Waste Electrical and Electronic Equipment (WEEE Directive). This directive is applicable in the European Union member states.



The WEEE marking on this product (see right) or its documentation indicates that the product must not be disposed of together with household waste. To prevent possible harm to human health and/or the environment, the product must be disposed of in an approved and environmentally safe recycling process. For further information on how to dispose of this product correctly, contact the product supplier, or the local authority responsible for waste disposal in your area. Business users should contact the product supplier for information on how to dispose of this product correctly. This product should not be mixed with other commercial waste.

Support

Should you require any technical assistance, please contact your Axis reseller. If your questions cannot be answered immediately, your reseller will forward your queries through the appropriate channels to ensure a rapid response. If you are connected to the Internet, you can:

- download user documentation
- find answers to resolved problems in the FAQ database. Search by product, category, or phrases
- report problems to Axis support by logging in to your private support area.

Safeguards

- Please read through this Installation Guide carefully prior to installing your product. Keep the Installation Guide for further reference.
- Turn off the power before cleaning the motor. Do not use chemicals, caustic agents, or aerosol cleaners. Use a damp cloth for cleaning.
- Only use accessories and replacement parts provided or recommended by Axis.
- Use 24 V AC power supply only, AXIS PS24 Mains Adaptor is recommended.
- Protect the power supply cable from any damage; pay special attention to plug fittings, extensions and outputs.
- Install a surge protector to protect the motor from power surges.
- Avoid using excessively long installation wires in order to prevent fire or electrical shocks.
- Do not remove the covers or repair the product by yourself, contact Axis or your Axis reseller for service matters.

IMPORTANT!

- Keep the motor clear of unidentified objects or corrosive liquids since that may cause the motor to short circuit.
- Do not install the motor on unstable brackets, unstable or vibrating surfaces or walls, since this may cause injury to people or damage the motor.
- Do not touch the motor during operation.
- Do not install or operate the motor on dangerous sites that store inflammable or explosive objects.

YP3040 Installation Guide

This installation guide provides instructions for installing the YP3040 Pan-Tilt Motor.

Installation steps

1. Check the package contents against the list below.
2. Hardware overview. See page 6.
3. Install the hardware.
 - Install the wall bracket, see page 7.
 - Install the Pan-Tilt motor, see page 7.
 - Install the camera in the housing, see page 7.
 - Install the housing on the Pan-Tilt motor, see page 7.
 - Connect the cables, see page 8.
4. Setup, see page 9.

Important!

This product must be used in compliance with local laws and regulations.

ENGLISH

1 Package contents

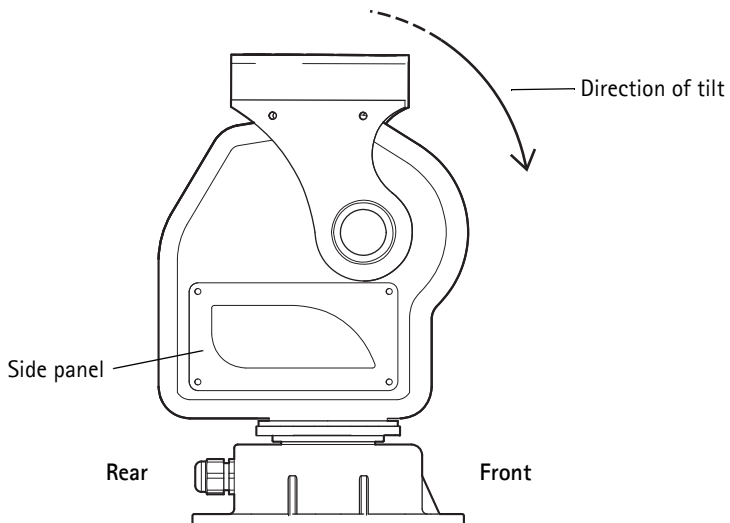
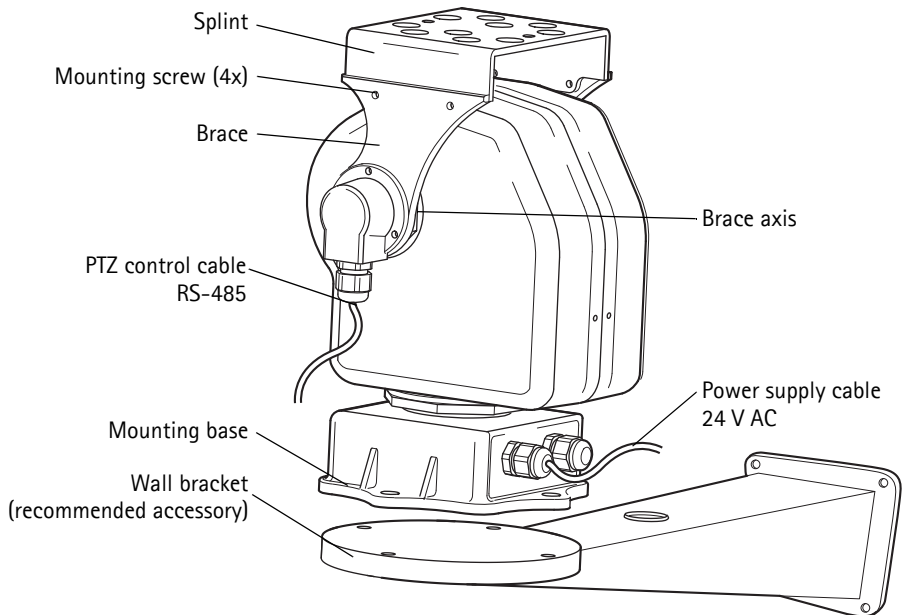
Item	Models/variants/notes
Pan-tilt motor	YP3040
Mounting kit	2 screws M5x10 for mounting the camera housing on the splint 4 bolts for mounting the pan-tilt motor on the recommended wall bracket 1 allen key
Printed materials	YP3040 Installation Guide (this document) Drill template (with YP3040 Wall Bracket)

Recommended accessories

Item	Models/variants/notes
Wall bracket	YP3040 Wall Bracket for YP3040 Pan-Tilt Motor
Mains adaptor	AXIS PS24 Mains Adaptor, power supply input 100–230 V AC, suitable for indoor and outdoor use

Optional accessories	See www.axis.com for information on product documentation, installation tools, cameras, power accessories, and housings
----------------------	---

2 Hardware overview



Note:

For functions behind the side panel, refer to *About the DIP switch settings*, on page 11

3 Install the hardware

Install the wall bracket

1. Prepare the wall for installation of the wall bracket (recommended accessory), use the supplied drill template to position the holes. Make sure to use drill bits, screws, and plugs that are appropriate for the material.
 - ! **IMPORTANT!** - To avoid collision, make sure there is enough clearance around the pan-tilt motor and camera/camera housing (minimum clearance to the ceiling is 60 cm or 24 in. from the top edge of the wall bracket).
2. Pull the cables through the wall bracket, see illustration on page 9.
3. Attach the wall bracket to the wall with the round platform facing upwards.
 - ! **IMPORTANT!** - Make sure to leave enough slack to allow for the cables to twist and bend along with the unit.

Install the Pan-Tilt Motor

1. Place the pan-tilt motor on the wall bracket, see illustration on page 6 for alignment and direction of tilt.
2. Secure the pan-tilt motor by tightening the supplied bolts.

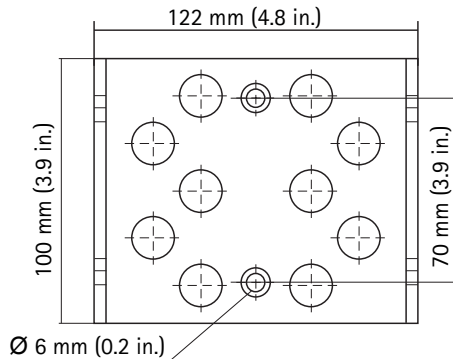
Install the camera in the housing

Install the camera in the housing according to the instructions in the Installation Guide provided with the housing. Make sure to allow for the PTZ control cable to pass through the housing to the camera, see *Connect the cables*, on page 8. For more information, see the Installation Guides provided with the housing and the camera.

Install the housing on the Pan-Tilt Motor

1. Detach the splint by removing the mounting screws on the brace, using the supplied allen key. See illustration on page 6.
2. Use the supplied 2 countersunk screws to mount the housing on the splint.
3. Attach the splint with the housing to the brace.

Splint dimensions



Mounting holes for housing/camera, see *Recommended accessories*, on page 3

Connect the cables

1. Connect the power supply to the pan-tilt motor according to the Installation Guide supplied with the mains adaptor. The recommended mains adaptor is AXIS PS24 Mains Adaptor. For more information on this product, see the Axis web site at www.axis.com

	Wire color	Connect to
Power supply cable 24 V AC	Blue	24 V AC on power supply
	Brown	24 V AC on power supply
	Yellow/green	GND

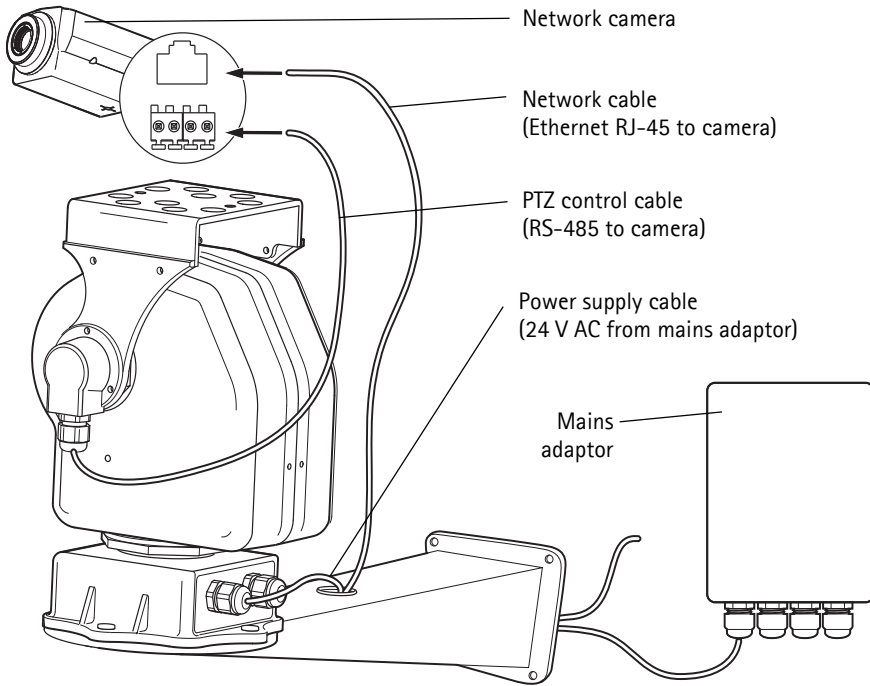
2. Connect the PTZ control cable to the camera's RS-485 port. Different camera models have different terminal connectors, be sure to follow the correct description for the installed camera. The correct connector is supplied with the Axis network camera. For more information on Axis network cameras, see the Axis web site at www.axis.com

	Wire color	Connect to
PTZ control cable (RS-485)	Red	A+ on camera
	Blue	B- on camera

3. Connect the camera to the network, see the Installation Guide provided with the camera.

Note:

The RJ-45 connector for the network cable will not pass through the cable gland on the underside of the housing. The cable must be cut, threaded through the cable gland and then re-crimped.



4 Setup

When you install a compatible Axis network camera on the YP3040 Pan-Tilt Motor, the controls will be available from the Live View page in the camera's web pages after enabling the PTZ functionality in Setup tools. Follow these instructions to enable PTZ functionality in the camera:

1. Go to **Setup > System Options > Ports & Devices > COM Port** in the camera's web pages, and set **Usage** to Pan Tilt.
2. Refer to the User's Manual supplied with your product for instructions on how to configure the PTZ settings.

Technical specifications

Unit	Function	Description	
YP3040	Input voltage	24 V AC 50/60 Hz	
	Power consumption	30 VA	
	Movement range	Pan	0° to 355°
		Tilt	10° to -80°
	Movement speed	Pan	7.5°/s
		Tilt	6°/s
	Protocol (default)	Pelco-D	
	Bit rate (default)	2400 bps	
	Address (default)	1	
	Operating temperature	-20°C to 65°C (-4°F to 149°F)	
	Load	Torque (brace axis, see page 6)	1.5 N m (1.1 ft. lb)
		Load type	Top load
		Maximum load	8 kg (17.6 lb)
	Weight	4.2 kg (9.3 lb)	
	Protection class	IP66 (indoor and outdoor use)	
Construction	Aluminum alloy		

Troubleshooting

Problem	Probable cause	Remedy
YP3040 does not move	No power applied	Check that power supply is connected
	Faulty connection in power supply	Check that power supply cable is intact and connected correctly
YP3040 moves when power is applied, but is otherwise unresponsive to commands	Faulty RS-485 cable connection to network camera	Check that RS-485 cable is intact and connected correctly
	PTZ functionality not enabled in network camera	Check that PTZ functionality is enabled in Setup tools, see <i>Setup</i> , on page 9

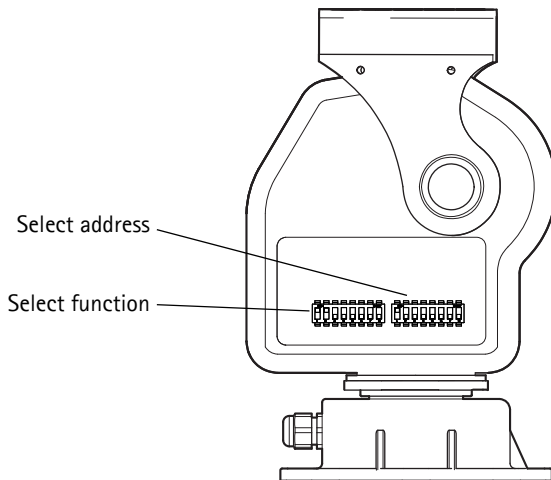
About the DIP switch settings

The transmission between the motor and the camera will not work if the camera uses a different protocol and bit rate than the motor. For cameras with a different protocol than the Pelco-D and bit rate of 2400 bps, the dip switches must be changed, see *Change the DIP switch settings*, on page 12.

Note:

The default factory settings of the YP3040 Pan-Tilt Motor are the Pelco-D protocol and a bit rate of 2400 bps. This means that the DIP switch settings do not need to be changed when using the motor with an Axis network camera with the Pelco-D protocol.

The YP3040 Pan-Tilt Motor has two sets of 8 digital DIP switches.



The 8 switches on the left-hand side are used to select functions such as protocol, bit rate, and terminal resistance. The 8 switches on the right-hand side are used to select multiple unique addresses when connecting several units in a series through a multi-channel video server. There are 255 different switch combinations.

Note:

In a typical installation only the one default address is required.

Change the DIP switch settings

- Loosen the 4 side panel mounting screws and remove the side panel.
- Set the 8 switches to select functions. Switches 1, 2, 3, and 4 are used to select the PTZ control protocol. Switch 7 is always OFF. Switch 8 is used to connect a terminal resistance of 120 Ω , switch to ON when required.

Select functions		1	2	3	4	5	6	7	8
Protocol	Pelco-D (default)	ON	ON	OFF	OFF				
	Pelco-P	OFF	ON	OFF	OFF				
	AD/AB	OFF	OFF	ON	OFF				
Bit rate	2400 bps (default)					OFF	OFF		
	4800 bps					ON	OFF		
	9600 bps					OFF	ON		
	19200 bps					ON	ON		
Terminal resistance	OFF (default)								OFF
	120 Ω								ON
								OFF	

- Set the 8 switches to select address.

Select address	1	2	3	4	5	6	7	8
1 (default)	ON	OFF	OFF	OFF	OFF	OFF	OFF	OFF
2	OFF	ON	OFF	OFF	OFF	OFF	OFF	OFF
3	ON	ON	OFF	OFF	OFF	OFF	OFF	OFF
4	OFF	OFF	ON	OFF	OFF	OFF	OFF	OFF
5	ON	OFF	ON	OFF	OFF	OFF	OFF	OFF
...							
254	OFF	ON	ON	ON	ON	ON	ON	ON
255	ON	ON	ON	ON	ON	ON	ON	ON

- Replace the side panel and tighten the screws.

Warranty

For information about Axis' product warranty and thereto related information, please see: www.axis.com/warranty

Mesures de sécurité

- Lisez attentivement le présent guide d'installation avant d'installer votre produit. Conservez le guide d'installation si vous souhaitez le consulter ultérieurement.
- Mettez l'alimentation hors tension avant de nettoyer le moteur. N'utilisez ni produits chimiques, ni substances caustiques ni nettoyeurs aérosol. Utilisez un linge humide pour le nettoyage.
- Utilisez uniquement des accessoires et des pièces de rechange fournis ou recommandés par Axis.
- Utilisez uniquement un bloc d'alimentation de 24 V CA. Il est recommandé d'utiliser l'adaptateur secteur AXIS PS24.
- Protégez le câble du bloc d'alimentation contre tout dommage ; portez une attention particulière aux raccords, aux rallonges et aux sorties d'alimentation.
- Installez un parasurtenseur pour protéger le moteur contre les surtensions.
- Évitez d'utiliser des fils d'installation trop longs pour éviter un incendie ou des chocs électriques.
- Ne tentez pas de retirer les couvercles ou de réparer le produit vous-même, contactez Axis ou votre revendeur Axis pour tout problème lié au service.

IMPORTANT !

- Tenez éloignés du moteur tous les objets non identifiés ou tous les liquides corrosifs, car cela peut court-circuiter le moteur.
- N'installez pas le moteur sur des supports instables, des surfaces ou des murs instables ou vibrants, car cela peut blesser des personnes ou endommager le moteur.
- Ne touchez pas le moteur lorsqu'il fonctionne.
- N'installez pas ou n'utilisez pas le moteur sur des sites dangereux contenant des objets inflammables ou explosifs.

YP3040 Guide d'installation

Ce guide d'installation vous explique comment installer votre YP3040 Moteur Pan-Tilt.

Procédure d'installation

1. Vérification du contenu de l'emballage par rapport à la liste ci-dessous.
2. Vue d'ensemble du matériel. Reportez-vous à la page 16.
3. Installation du matériel.
 - Installation du support mural, reportez-vous à la page 17.
 - Installation du moteur Pan-Tilt (Panoramique/Inclinaison), reportez-vous à la page 17.
 - Installation de la caméra dans le boîtier, reportez-vous à la page 17.
 - Fixation du boîtier au moteur Pan-Tilt, reportez-vous à la page 17.
 - Branchement des câbles, reportez-vous à la page 18.
4. Configuration, reportez-vous à la page 19.

Important !

Ce produit doit être utilisé conformément aux lois et dispositions locales en vigueur.

1 Contenu de l'emballage

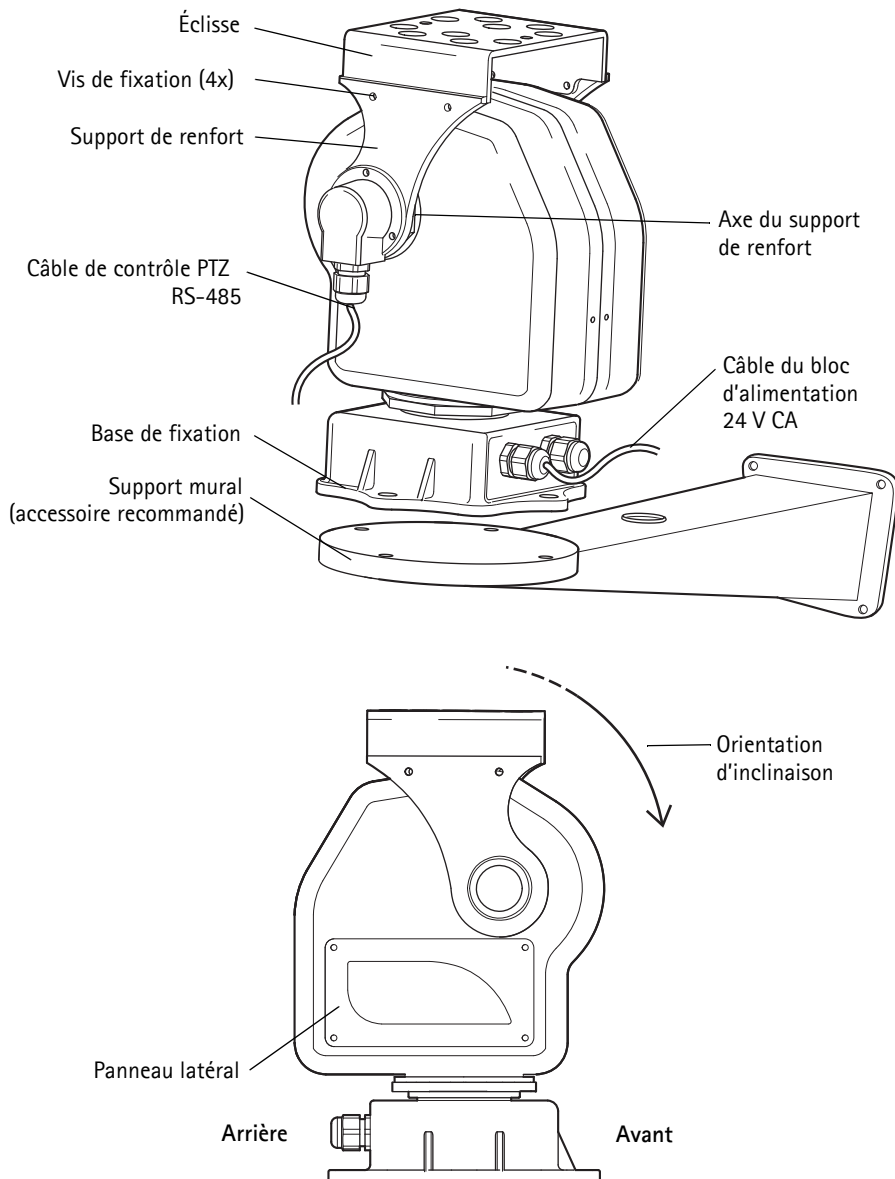
Article	Modèles/variantes/remarques
Moteur Pan-Tilt	YP3040
Kit de montage	2 vis M5x10 pour fixer le boîtier de la caméra sur l'éclisse 4 boulons pour fixer le moteur Pan-Tilt sur le support mural recommandé 1 clé Allen
Documentation imprimée	Guide d'installation de l'YP3040 (le présent document) Gabarit de perçage (avec support mural YP3040)

Accessoires recommandés

Article	Modèles/variantes/remarques
Support mural	Support mural pour YP3040 Moteur Pan-Tilt
Adaptateur secteur	Adaptateur secteur de l'AXIS PS24, entrée bloc d'alimentation 100–230V CA (utilisation intérieure et extérieure)

Accessoires en option	Consultez le site www.axis.com pour plus d'informations sur la documentation, les outils d'installation, les caméras, les accessoires d'alimentation et les boîtiers
-----------------------	--

2 Description du matériel



Note:

Pour plus d'informations sur les fonctions derrière le panneau latéral, reportez-vous à la section *À propos des paramètres du commutateur DIP*, page 21

3 Installation du matériel

Installation du support mural

1. Préparez le mur pour installer le support mural (accessoire recommandé) en marquant les emplacements des trous à l'aide du modèle de perçage fourni. Assurez-vous que les forets, les vis et les fiches sont adaptés au matériau.

! **IMPORTANT !** - Pour éviter des chocs, assurez-vous que l'espace entre le moteur Pan-Tilt et la caméra ou le boîtier de celle-ci est bien dégagé (la distance entre le plafond et le bord supérieur du support mural doit être de 60 cm ou 24 po au minimum).

2. Faites passer les câbles à travers le support mural, voir l'illustration à la page 18.
3. Fixez le support mural (plateforme circulaire tournée vers le haut).

! **IMPORTANT !** - Veillez à maintenir suffisamment de jeu pour permettre la torsion des câbles et leur repli le long de l'unité.

Installation du moteur Pan-Tilt (Panoramique/Inclinaison)

1. Placez le moteur Pan-Tilt sur le support mural. Reportez-vous à l'illustration à la page 16 pour l'alignement et la direction de l'inclinaison.
2. Fixez le moteur Pan-Tilt en serrant les boulons fournis.

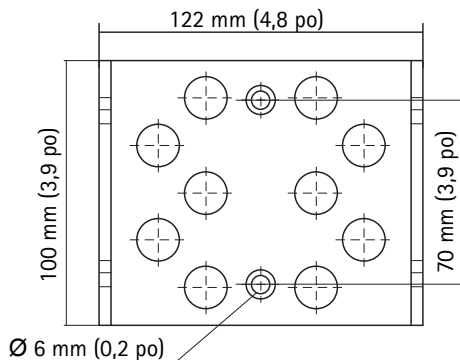
Installation de la caméra dans le boîtier

1. Installez la caméra dans le boîtier conformément aux instructions décrites dans le guide d'installation fourni avec le boîtier. Veillez à pouvoir faire passer le câble de contrôle PTZ à travers le boîtier vers la caméra, reportez-vous à la section *Branchement des câbles*, page 18. Pour plus d'informations, consultez les guides d'installation fournis avec le boîtier et la caméra.

Fixation du boîtier au moteur Pan-Tilt

1. Retirez l'éclisse en desserrant les vis du support de renfort à l'aide de la clé Allen fournie. Voir l'illustration à la page 16.
2. Fixez le boîtier sur l'éclisse à l'aide des deux vis à tête fraisée fournies.
3. Fixez l'éclisse portant le boîtier au support de renfort.

Dimensions de l'éclisse



Trous de fixation du boîtier/caméras réseau, reportez-vous à la section *Accessoires recommandés*, page 13

Branchement des câbles

1. Branchez le bloc d'alimentation au moteur Pan-Tilt en suivant le guide d'installation fourni avec l'adaptateur secteur. Il est recommandé d'utiliser l'adaptateur secteur AXIS PS24. Pour plus d'informations sur ce produit, visitez le site Web d'Axis www.axis.com

	Couleur du fil	À brancher à
Câble du bloc d'alimentation 24 V CA	Bleu	24 V CA (bloc d'alimentation)
	Brun	24 V CA (bloc d'alimentation)
	Jaune/vert	Terre

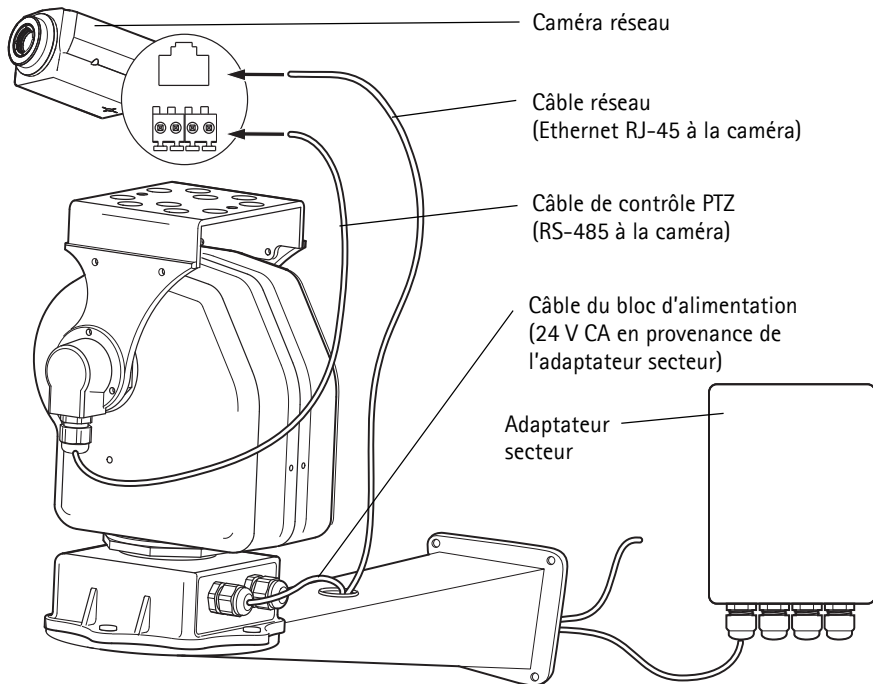
2. Branchez le câble de contrôle PTZ au port RS-485 de la caméra. Les connecteurs pour terminaux des différents modèles de caméra sont dissemblables. Veillez à bien suivre la description appropriée pour la caméra installée. Le connecteur adapté est fourni avec la caméra réseau Axis. Pour plus d'informations sur les caméras réseau Axis, visitez le site Web d'Axis à l'adresse : www.axis.com

	Couleur du fil	À brancher à
Câble de contrôle PTZ (RS-485)	Rouge	A+ sur la caméra
	Bleu	B- sur la caméra

3. Connectez la caméra au réseau, consultez le guide d'installation fourni avec la caméra.

Note:

Le connecteur RJ-45 pour le câble réseau ne passera pas à travers le presse-étoupe sur le dessous du boîtier. Il est nécessaire de séparer le câble, de le faire passer à travers le presse-étoupe et de l'onduler à nouveau.



4 Configuration

Lorsque vous installez une caméra réseau Axis compatible sur votre YP3040 Moteur Pan-Tilt, vous devez activer la fonctionnalité PTZ dans les outils de configuration pour rendre disponibles les commandes dans la page Live View (Vue en direct) des pages Web associées à la caméra. Pour activer la fonctionnalité PTZ de la caméra, procédez comme suit :

1. Dans les pages Web associées à la caméra, choisissez **Setup > System Options > Ports & Devices > COM Port** (Configuration/Options système/ Ports et périphériques/Port COM), puis définissez **Usage** (Utilisation) sur Pan Tilt (Panoramique/ Inclinasion).
2. Pour obtenir des instructions sur la configuration des paramètres PTZ, consultez le manuel de l'utilisateur fourni avec votre produit.

Caractéristiques techniques

Unité	Fonction	Description	
YP3040	Tension d'entrée	24 V CA 50/60 Hz	
	Consommation d'énergie	30 VA	
	Plage de mouvements	Panoramique	0° à 355°
		Inclinaison	10° à -80°
	Vitesse de mouvement	Panoramique	7,5°/s
		Inclinaison	6°/s
	Protocole (par défaut)	Pelco-D	
	Débit binaire (par défaut)	2400 bits/seconde	
	Adresse (par défaut)	1	
	Température d'exploitation	-20 °C à 65 °C (-4 °F à 149 °F)	
	Charge	Couple (axe de support de renfort, reportez-vous à la page 16)	1.5 N m (1,1 pied livre)
		Type de charge	Charge verticale
		Charge maximale	8 kg (17,6 livres)
	Poids	4.2 kg (9.3 livres)	
Niveau de protection	IP66 (utilisation intérieure et extérieure)		
Construction	Alliage en aluminium		

Dépannage

Problème	Cause probable	Solution
YP3040 (aucun mouvement)	Aucune tension	Vérifiez que le bloc d'alimentation est branché
	Branchement du bloc d'alimentation incorrect	Vérifiez que le câble du bloc d'alimentation est intact et qu'il est correctement branché
YP3040 effectue des mouvements lors de la mise sous tension, mais ne répond pas aux commandes	Connexion incorrecte du câble RS-485 à la caméra réseau	Vérifiez que le câble RS-485 est intact et qu'il est correctement branché
	Fonctionnalité PTZ de la caméra réseau non activée	Vérifiez que la fonctionnalité PTZ est activée dans les outils de configuration, reportez-vous à la section <i>Configuration</i> , page 19

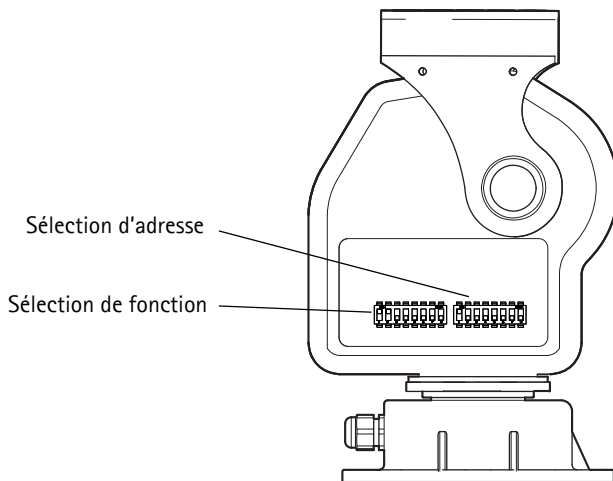
À propos des paramètres du commutateur DIP

La transmission entre le moteur et la caméra échoue si cette dernière utilise un protocole et un débit binaire différents de ceux du moteur. Vous devez remplacer les commutateurs DIP des caméras qui utilisent un protocole et un débit binaire différents de Pelco-D et 2 400 bits/seconde, reportez-vous à la section *Modification des paramètres du commutateur DIP*, page 22.

Note:

Les paramètres d'usine par défaut de votre YP3040 Moteur Pan-Tilt sont le protocole Pelco-D et un débit binaire de 2 400 bits/seconde. Il n'est donc pas nécessaire de modifier les paramètres du commutateur DIP lorsque vous utilisez le moteur avec une caméra réseau Axis utilisant le protocole Pelco-D.

Un YP3040 Moteur Pan-Tilt comprend deux ensembles de huit commutateurs DIP numériques.



Les huit commutateurs situés sur le côté gauche servent à sélectionner des fonctions telles que le protocole, le débit binaire ou la résistance pour terminaux. Les huit commutateurs situés sur le côté droit servent à sélectionner plusieurs adresses uniques lors de la connexion de plusieurs caméras d'une série à l'aide d'un serveur vidéo multi-canaux. Il existe 255 types de combinaison de commutateurs.

Note:

Pour une installation standard, seule l'adresse par défaut est requise.

Modification des paramètres du commutateur DIP

1. Desserrez les quatre vis de fixation du panneau latéral, puis retirez-le.
2. Définissez les huit commutateurs de sélection de fonction. Les commutateurs 1, 2, 3 et 4 servent à sélectionner le protocole de contrôle PTZ. Le commutateur 7 est toujours configuré sur OFF (Désactivé). Le commutateur 8 sert à connecter une résistance pour terminaux de 120 Ω , configuré sur ON (Activé) en cas de besoin.

Sélection de fonctions		1	2	3	4	5	6	7	8
Protocole	Pelco-D (par défaut)	ON	ON	OFF	OFF				
	Pelco-P	OFF	ON	OFF	OFF				
	AD/AB	OFF	OFF	ON	OFF				
Débit binaire	2400 bits/seconde (par défaut)					OFF	OFF		
	4800 bits/seconde					ON	OFF		
	9600 bits/seconde					OFF	ON		
	19200 bits/seconde					ON	ON		
Résistance pour terminaux	OFF (par défaut)								OFF
	120 Ω								ON
								OFF	

3. Définissez les huit commutateurs de sélection d'adresse.

Sélection d'adresse	1	2	3	4	5	6	7	8
1 (par défaut)	ON	OFF	OFF	OFF	OFF	OFF	OFF	OFF
2	OFF	ON	OFF	OFF	OFF	OFF	OFF	OFF
3	ON	ON	OFF	OFF	OFF	OFF	OFF	OFF
4	OFF	OFF	ON	OFF	OFF	OFF	OFF	OFF
5	ON	OFF	ON	OFF	OFF	OFF	OFF	OFF
...							
254	OFF	ON	ON	ON	ON	ON	ON	ON
255	ON	ON	ON	ON	ON	ON	ON	ON

4. Remettez en place le panneau latéral, puis serrez les vis.

Garantie

Pour plus d'informations sur la garantie des produits Axis et des informations générales relatives à celle-ci merci de consulter le site www.axis.com/warranty

Sicherheitsvorkehrungen

- Bitte lesen Sie zunächst das Handbuch vollständig durch, bevor Sie mit der Installation Ihres Produkts beginnen. Halten Sie die Installationsanleitung bereit, falls Sie darauf zurückgreifen müssen.
- Trennen Sie den Motor von der Stromversorgung, bevor Sie mit der Reinigung beginnen. Verwenden Sie keine chemischen, ätzenden oder Aerosol-Reinigungsmittel. Verwenden Sie zur Reinigung ein feuchtes Tuch.
- Verwenden Sie nur Zubehör und Ersatzteile, die von Axis empfohlen bzw. bereitgestellt wurden.
- Verwenden Sie nur Netzteile mit 24 V Wechselstrom. Empfehlenswert ist das AXIS PS24 Netzteil.
- Achten Sie darauf, das Netzkabel nicht zu beschädigen. Achten Sie besonders auf Anschlussstücke, Verlängerungen und Ausgänge.
- Installieren Sie einen Überspannungsschutz, um den Motor vor Überspannungsschäden zu schützen.
- Verwenden Sie keine übermäßig langen Kabel, um Stromschläge oder Feuer zu verhindern.
- Entfernen Sie nicht die Abdeckungen und versuchen Sie nicht, das Produkt selbst zu reparieren. Wenden Sie sich bei Service-Angelegenheiten an Axis oder an Ihren Axis-Händler.

WICHTIG!

- Stellen Sie sicher, dass keine unzulässigen Teile oder ätzenden Substanzen in den Motor gelangen, da dies zu einem Kurzschluss führen könnte
- Montieren Sie den Motor nicht auf instabilen Halterungen oder auf instabilen und vibrierenden Oberflächen oder Wänden. Dies könnte zu Verletzungen von Personen oder zu Beschädigungen des Motors führen.
- Berühren Sie den Motor nicht, während er in Betrieb ist.
- Installieren oder betreiben Sie den Motor nicht an gefährlichen Standorten mit leicht entzündbaren oder explosiven Objekten.

YP3040 Installationsanleitung

In dieser Anleitung wird die Installation des YP3040 Schwenk-Neige-Motor beschrieben.

Installationsschritte

1. Prüfen Sie, ob alle in der nachfolgenden Liste aufgeführten Komponenten vorhanden sind.
2. Sehen Sie sich die Hardwareübersicht an. Siehe Seite 26.
3. Installieren Sie die Hardware.
 - Montieren Sie die Wandhalterung, siehe Seite 27.
 - Installieren Sie den Schwenk-Neige-Motor, siehe Seite 27.
 - Bringen Sie die Kamera im Gehäuse an, siehe Seite 27.
 - Montieren Sie das Gehäuse auf dem Schwenk-Neige-Motor, siehe Seite 27.
 - Schließen Sie die Kabel an, siehe Seite 28.
4. Stellen Sie die PTZ-Funktionen ein, siehe Seite 29.

Wichtig!

Verwenden Sie dieses Produkt unter Beachtung der geltenden rechtlichen Bestimmungen.

1 Lieferumfang

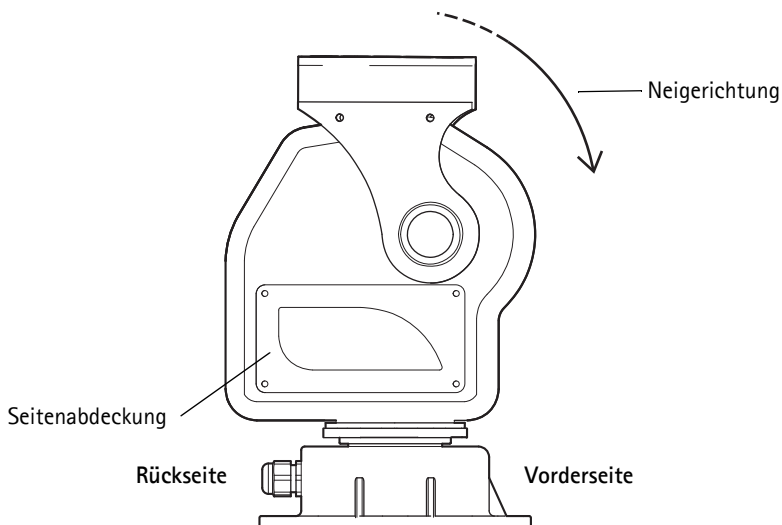
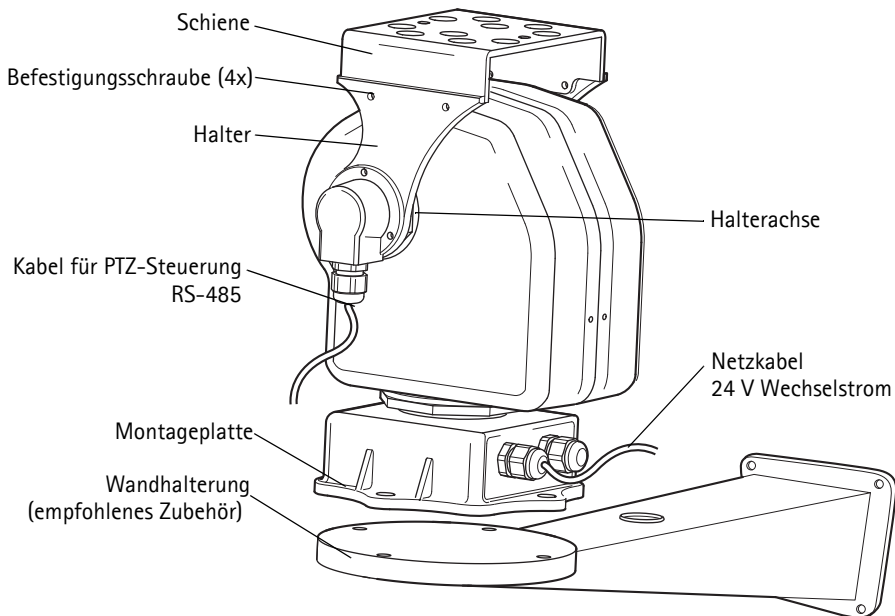
Komponente	Modell/Varianten/Anmerkungen
Schwenk-Neige-Motor	YP3040
Montagesatz	2 M5x10-Schrauben zur Anbringung des Kameragehäuses auf der Schiene 4 Schrauben zur Befestigung des Schwenk-Neige-Motors an der empfohlenen Wandhalterung 1 Inbusschlüssel
Gedruckte Dokumente	YP3040 Installationsanleitung (dieses Dokument) Bohrschablone (mit YP3040 Wandhalterung)

Empfohlenes Zubehör

Komponente	Modell/Varianten/Anmerkungen
Wandhalterung	Wandhalterung für den YP3040 Schwenk-Neige-Motor
Netzteil	AXIS PS24 Netzteil, Netzeingang, 100 bis 230V Wechselstrom, ist für Innenräume und Außenbereiche geeignet

Optionales Zubehör	Weitere Informationen zur Produktdokumentation sowie zu Installationswerkzeugen, Kameras, Stromversorgungszubehör und Gehäusen finden Sie unter „www.axis.com“.
--------------------	---

2 Hardwareübersicht



Note:

Informationen zu den Elementen hinter der Seitenabdeckung finden Sie unter *DIP-Schalter-Einstellungen*, auf Seite 31.

3 Installation der Hardware

Installation der Wandhalterung

1. Bereiten Sie die Montage der Wandhalterung (empfohlenes Zubehör) vor. Markieren Sie hierfür mithilfe der beiliegenden Bohrschablone die Position der Bohrlöcher an der Wand. Stellen Sie sicher, dass die Bohrerstippen, Schrauben und Dübel für das Wandmaterial geeignet sind.
 - ! WICHTIG! - Halten Sie einen ausreichenden Abstand um den Schwenk-Neige-Motor und zur Kamera bzw. dem Kameragehäuse ein, um Kollisionen zu verhindern (der Mindestabstand vom oberen Rand der Wandhalterung zur Decke beträgt 60 cm).
2. Ziehen Sie die Kabel durch die Wandhalterung, siehe Abbildung auf Seite 28.
3. Befestigen Sie die Wandhalterung mit der runden Platte nach oben an der Wand.
 - ! WICHTIG! - Achten Sie auf genügend Spielraum, damit sich die Kabel zusammen mit der Kamera verdrehen und verbiegen lassen.

Installation des Schwenk-Neige-Motors

1. Positionieren Sie den Schwenk-Neige-Motor an der Wandhalterung. Ausrichtung und Neigerichtung siehe Abbildung auf Seite 26.
2. Befestigen Sie den Schwenk-Neige-Motor, indem Sie die beiliegenden Schrauben festziehen.

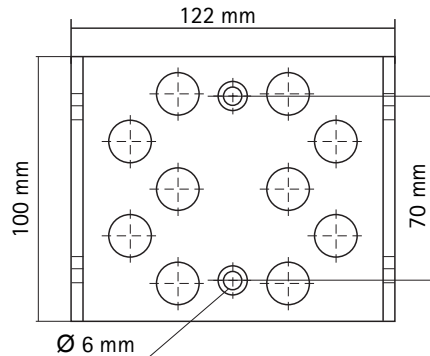
Anbringung der Kamera im Gehäuse

1. Montieren Sie die Kamera im Gehäuse gemäß den Anweisungen im Installationsanleitung zu Ihrem Gehäuse. Stellen Sie sicher, dass das Kabel für die PTZ-Steuerung durch das Gehäuse zur Kamera geführt werden kann, siehe *Anschließen der Kabel*, auf Seite 28. Weitere Informationen dazu finden Sie im Installationsanleitung zur Ihrem Gehäuse bzw. zu Ihrer Kamera.

Anbringung des Gehäuses auf dem Schwenk-Neige-Motor

1. Nehmen Sie die Schiene ab, indem Sie die Befestigungsschrauben am Halter mithilfe des mitgelieferten Inbusschlüssels lösen. Siehe Abbildung auf Seite 26.
2. Verwenden Sie die beiliegenden zwei Senkkopfschrauben, um das Gehäuse auf der Schiene zu befestigen.
3. Befestigen Sie die Schiene mit dem Gehäuse am Halter.

Abmessungen der Schiene



Montagebohrungen für das Gehäuse/Netzwerk-Kamera,
siehe *Empfohlenes Zubehör*, auf Seite 23

Anschließen der Kabel

1. Verbinden Sie das Netzteil mit dem Schwenk-Neigemotor gemäß den Anweisungen im Installationsanleitung zu Ihrem Netzteil. Es wird das AXIS PS24 Netzteil empfohlen. Weitere Informationen zu diesem Produkt finden Sie auf der Axis Website unter „www.axis.com“.

	Farbe des Kabels	Anschluss an
Netz Kabel, 24 V Wechselstrom	Blau	24 V Wechselstrom am Netzteil
	Braun	24 V Wechselstrom am Netzteil
	Gelb/Grün	Schutzleiter

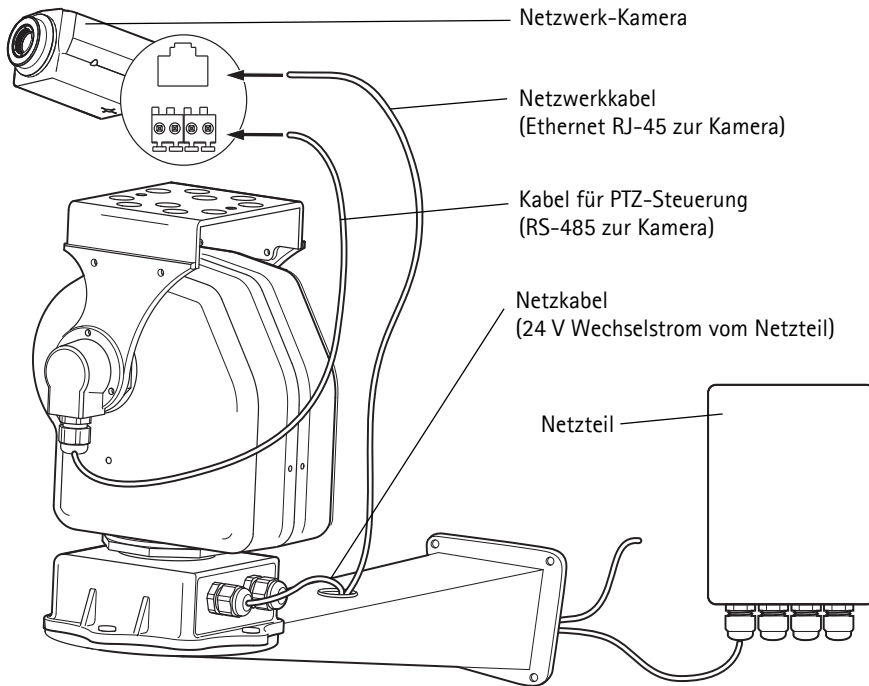
2. Schließen Sie das Kabel zur PTZ-Steuerung an den RS-485-Anschluss der Kamera an. Die Kameramodelle verfügen über unterschiedliche Anschlüsse. Vergewissern Sie sich, dass Sie die korrekte Beschreibung für Ihr Modell verwenden. Der passende Buchse ist im Lieferumfang Ihrer Axis Netzwerk-Kamera enthalten. Weitere Informationen zu Axis Netzwerk-Kameras finden Sie auf der Axis Website unter „www.axis.com“.

	Farbe des Kabels	Anschluss an
Kabel für PTZ-Steuerung (RS-485)	Rot	A+ an der Kamera
	Blau	B- an der Kamera

3. Verbinden Sie die Kamera mit dem Netzwerk gemäß den Anweisungen im Installationsanleitung zu Ihrer Kamera.

Note:

Die RJ-45-Buchse des Netzkabels passt nicht durch die Kabelverschraubung an der Unterseite des Gehäuses. Sie müssen das Kabel abschneiden, durch die Kabelverschraubung ziehen und anschließend wieder mit der Buchse vercrimpen.



4 Ausrichtung

Wenn Sie eine kompatible Axis Netzwerk-Kamera auf dem YP3040 Schwenk-Neige-Motor montieren, werden die Steuerungen auf den Webseiten der Kamera unter „Live View“ (Live-Ansicht) angezeigt, wenn die PTZ-Funktionen in den Setup-Tools aktiviert wurden. Führen Sie die folgenden Schritte aus, um die PTZ-Funktionen in der Kamera zu aktivieren:

1. Wählen Sie auf den Webseiten der Kamera die Option **Setup > System Options > Ports & Devices > COM Port** (Setup > Systemoptionen > Schnittstellen und Geräte > COM-Schnittstelle) aus. Aktivieren Sie unter **Usage** (Verwendung) die Option „Pan Tilt“ (Schwenken/Neigen).
2. Informationen zur Konfiguration der PTZ-Einstellungen finden Sie im Benutzerhandbuch zur Ihrem Produkt.

Technische Daten

Gerät	Funktion		Beschreibung
YP3040	Eingangsspannung		24 V Wechselstrom, 50/60 Hz
	Stromverbrauch		30 VA
	Bewegungsbereich	Schwenken	0 bis 355°
		Neigen	10° bis -80°
	Bewegungsgeschwindigkeit	Schwenken	7,5°/s
		Neigen	6°/s
	Protokoll (Standard)		Pelco-D
	Bitrate (Standard)		2400 bps
	Adresse (Standard)		1
	Betriebstemperatur		-20 °C bis 65 °C
	Belastung	Drehmoment (Halterachse, siehe Seite 26)	1.5 N m
		Belastungsart	Von oben
		Maximale Belastung	8 kg
	Gewicht		4.2 kg
Schutzklasse		IP66 (in Innenräumen und im Außenbereich)	
Material		Aluminiumlegierung	

Fehlerbehebung

Problem	Mögliche Ursache	Lösung
YP3040 bewegt sich nicht	Keine Stromversorgung	Überprüfen Sie, ob das Netzteil angeschlossen ist
	Fehlerhaftes Netzteil	Überprüfen Sie, dass das Netzkabel nicht beschädigt und ordnungsgemäß angeschlossen ist
YP3040 bewegt sich, wenn es an die Stromversorgung angeschlossen wird, reagiert aber nicht auf Steuerbefehle	Fehlerhafte RS-485-Kabelverbindung zur Netzwerk-Kamera	Überprüfen Sie, dass das RS-485-Kabel nicht beschädigt und ordnungsgemäß angeschlossen ist
	Die PTZ-Funktionalität in der Netzwerk-Kamera ist nicht aktiviert	Aktivieren Sie die PTZ-Funktionen in den Setup-Tools, siehe <i>Ausrichtung</i> , auf Seite 29

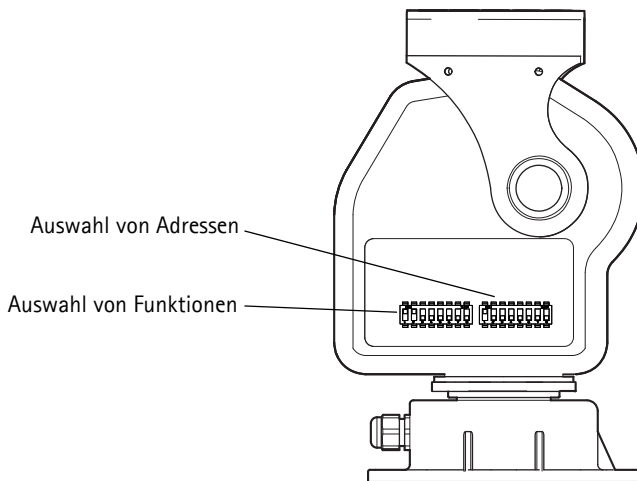
DIP-Schalter-Einstellungen

Die Datenübertragung zwischen dem Motor und der Kamera funktioniert nicht, wenn die Kamera und der Motor unterschiedliche Protokolle und Bitraten verwenden. Wenn Ihre Kamera nicht das Pelco-D-Protokoll und eine andere Bitrate als 2400 bps verwendet, müssen Sie die Dip-Schalter ändern, siehe *Ändern der DIP-Schalter-Einstellungen*, auf Seite 32.

Note:

Der YP3040 Schwenk-Neige-Motor ist werksseitig auf das Pelco-D-Protokoll und eine Bitrate von 2400 bps eingestellt. Dies bedeutet, dass Sie die DIP-Schalter-Einstellungen nicht ändern müssen, wenn Sie den Motor in Verbindung mit einer Axis Netzwerk-Kamera mit dem Pelco-D-Protokoll einsetzen.

Der YP3040 Schwenk-Neige-Motor verfügt über zwei Sätze mit 8 digitalen DIP-Schaltern.



Die 8 Schalter links dienen zur Funktionsauswahl, z. B. das Protokoll, die Bitrate und den Endwiderstand. Die 8 Schalter rechts dienen zur Auswahl mehrerer eindeutiger Adressen, wenn mehrere Einheiten über einen Mehrkanal-Videoserver in Reihe geschaltet werden. Es sind 255 verschiedene Schalterkombinationen möglich.

Note:

Bei einer „typischen“ Installation wird nur die Standardadresse benötigt.

Ändern der DIP-Schalter-Einstellungen

- Lösen Sie die 4 Befestigungsschrauben der Seitenabdeckung und nehmen Sie die Seitenabdeckung ab.
- Stellen Sie die 8 Funktionsauswahlschalter ein. Über die Schalter 1, 2, 3 und 4 wird das Protokoll für die PTZ-Steuerung festgelegt. Schalter 7 ist immer deaktiviert (AUS). Schalter 8 wird zum Anschluss eines Endwiderstands von 120 Ω verwendet. Sie können ihn bei Bedarf in die Position EIN ändern.

Funktionsauswahl		1	2	3	4	5	6	7	8
Protokoll	Pelco-D (Standard)	ON	ON	OFF	OFF				
	Pelco-P	OFF	ON	OFF	OFF				
	AD/AB	OFF	OFF	ON	OFF				
Bitrate	2400 bps (Standard)					OFF	OFF		
	4800 bps					ON	OFF		
	9600 bps					OFF	ON		
Endwiderstand	19200 bps					ON	ON		
	AUS (Standard)								OFF
	120 Ω								ON
								OFF	

Note:

ON=EIN, AUS=OFF

- Stellen Sie die 8 Adressauswahlschalter ein.

Adressauswahl	1	2	3	4	5	6	7	8
1 (Standard)	ON	OFF	OFF	OFF	OFF	OFF	OFF	OFF
2	OFF	ON	OFF	OFF	OFF	OFF	OFF	OFF
3	ON	ON	OFF	OFF	OFF	OFF	OFF	OFF
4	OFF	OFF	ON	OFF	OFF	OFF	OFF	OFF
5	ON	OFF	ON	OFF	OFF	OFF	OFF	OFF
...							
254	OFF	ON	ON	ON	ON	ON	ON	ON
255	ON	ON	ON	ON	ON	ON	ON	ON

Note:

ON=EIN, AUS=OFF

- Bringen Sie die Seitenabdeckung wieder an und ziehen Sie die Schrauben fest.

Garantie

Die Garantiebedingungen für Axis Produkte sowie weitere Informationen zum Thema Garantie finden Sie unter www.axis.com/warranty

Precauzioni

- Leggere per intero e con attenzione questa Guida all'installazione prima di installare il prodotto. Conservare la Guida all'installazione per ulteriori riferimenti.
- Staccare l'alimentazione prima di pulire il motore. Non utilizzare sostanze chimiche, agenti caustici o detergenti aerosol. Utilizzare un panno umido per la pulizia.
- Utilizzare solo accessori e parti di ricambio forniti o consigliati da Axis.
- Utilizzare solo alimentatori a 24 V CA, si consiglia l'adattatore di rete AXIS PS24.
- Proteggere il cavo di alimentazione da qualsiasi danno; prestare l'attenzione in special modo a spine, prolunghes e uscite.
- Installare un dispositivo contro gli sbalzi di tensione per proteggere il motore dai picchi di tensione.
- Evitare l'utilizzo di cavi di installazione eccessivamente lunghi per evitare incendi o folgorazioni.
- Non rimuovere i coperchi o tentare riparare da soli il prodotto, ma contattare Axis o il rivenditore Axis per qualsiasi argomento relativo all'assistenza tecnica.

IMPORTANTE!

- Mantenere il motore sgombro da oggetti non identificati o liquidi corrosivi poiché potrebbero causare cortocircuiti al motore.
- Non installare il motore su staffe instabili, superfici o pareti instabili o vibranti, poiché si potrebbero causare lesioni alle persone o danni al motore.
- Non toccare il motore durante il funzionamento.
- Non installare o azionare il motore in siti pericolosi dove sono immagazzinate sostanze infiammabili o esplosive.

YP3040 Guida all'installazione

La presente guida contiene istruzioni per l'installazione del Motore di traslazione-inclinazione YP3040.

Procedura di installazione

1. Controllare il contenuto della confezione utilizzando l'elenco fornito di seguito.
2. Panoramica dell'hardware. Vedere a pagina 36.
3. Installazione dell'hardware.
 - Installazione della staffa a parete. Vedere a pagina 37.
 - Installazione del motore di traslazione-inclinazione. Vedere a pagina 37.
 - Installazione della telecamera nell'alloggiamento. Vedere a pagina 37.
 - Installazione dell'alloggiamento sul motore di traslazione-inclinazione. Vedere a pagina 37.
 - Collegamento dei cavi. Vedere a pagina 38.
4. Configurazione. Vedere a pagina 39.

Importante!

Il prodotto deve essere utilizzato in conformità alle leggi e alle regolamentazioni locali.

1 Contenuto della confezione

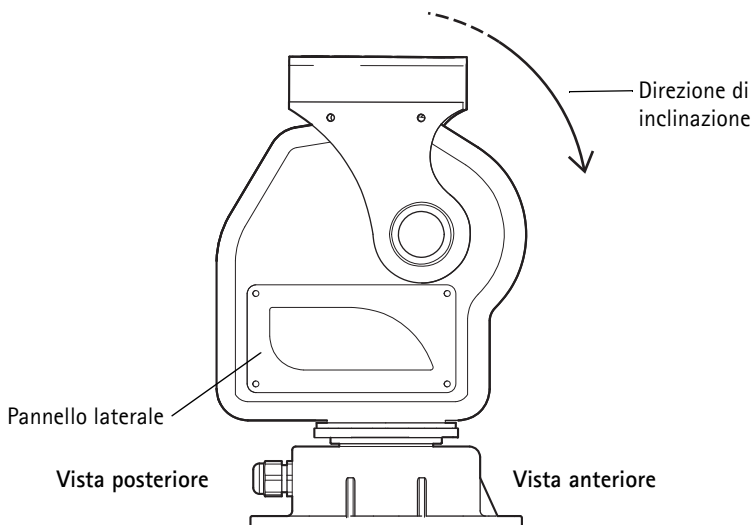
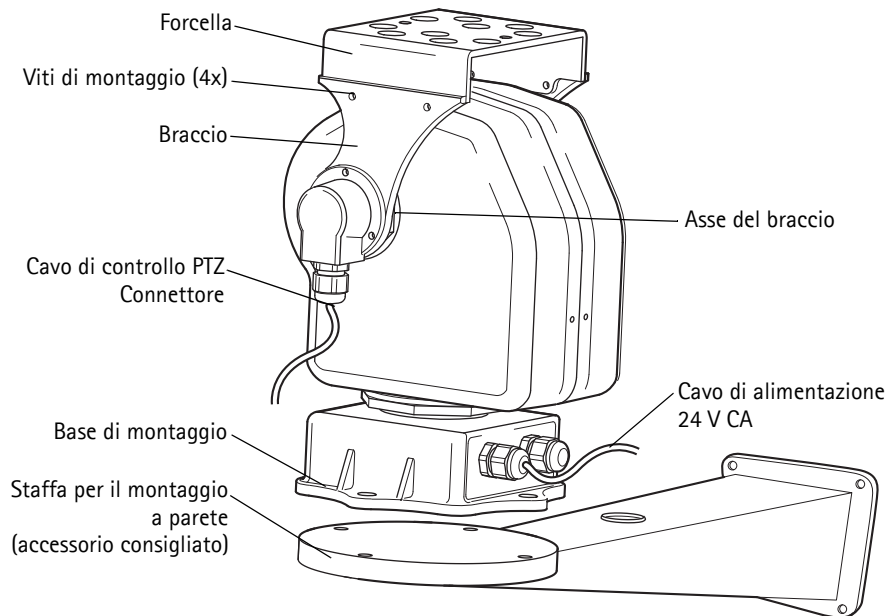
Articolo	Modelli/varianti/note
Motore di traslazione-inclinazione	YP3040
Kit di montaggio	2 viti M5x10 per montare l'alloggiamento della telecamera sulla forcella 4 bulloni per montare il motore di traslazione-inclinazione sulla staffa a parete consigliata 1 chiave allen
Documentazione cartacea	Guida all'installazione del YP3040 (questo documento) Modello per foratura (con staffa per parete YP3040)

ITALIANO

Accessori consigliati

Articolo	Modelli/varianti/note
Staffa per il montaggio a parete	Staffa a parete YP3040 per il Motore di traslazione-inclinazione YP3040
Adattatore per rete	Adattatore per rete AXIS PS24, ingresso alimentatore da 100–230 V CA, adatto per l'uso in ambienti interni ed esterni
Accessori opzionali	Per informazioni sulla documentazione del prodotto, gli attrezzi per l'installazione, le telecamere, gli accessori per l'alimentazione e gli alloggiamenti, visitare il sito web www.axis.com

2 Panoramica dell'hardware



Note:

Per funzioni dietro il pannello laterale, fare riferimento a *Informazioni sulle impostazioni dei DIP interruptori*, a pagina 41

3 Installazione dell'hardware

Installare la staffa di montaggio a parete

1. Preparare la parete per l'installazione della staffa di montaggio (accessorio consigliato), utilizzando la maschera di foratura fornita per posizionare i fori. Assicurarsi di utilizzare punte, viti e tasselli adatti al materiale.
 - ! **IMPORTANTE!** - Per evitare collisioni, assicurarsi che ci sia spazio libero sufficiente intorno al motore di traslazione-inclinazione ed intorno alla telecamera o al suo alloggiamento (lo spazio libero minimo dal soffitto deve essere di 60 cm (24 in) dal bordo superiore della staffa a parete).
2. Tirare i cavi attraverso la staffa a parete, vedere l'illustrazione a pagina 38.
3. Fissare la staffa alla parete con la piaattforma rotonda rivolta verso l'alto.
 - ! **IMPORTANTE!** - Assicurarsi di lasciare abbastanza lentezza sui cavi per far sì che possano torcersi e piegarsi per seguire l'unità.

Installare il motore di traslazione-inclinazione

1. Collocare il motore di rotazione/inclinazione sulla staffa a parete, vedere l'illustrazione a pagina 36 per l'allineamento e la direzione di inclinazione.
2. Fissare il motore di traslazione-inclinazione serrando i bulloni forniti.

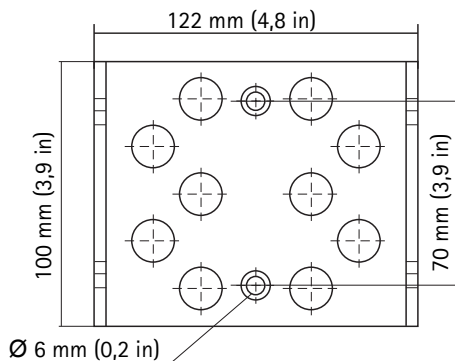
Installare la telecamera nell'alloggiamento

1. Installare la telecamera nell'alloggiamento secondo le istruzioni contenute nella Guida all'installazione fornita con l'alloggiamento. Assicurarsi di che il cavo di controllo PTZ possa passare attraverso l'alloggiamento alla telecamera, vedere *Collegamento dei cavi*, a pagina 38. Per ulteriori informazioni consultare la Guida all'installazione fornita con la custodia e la telecamera.

Installare l'alloggiamento sul motore di traslazione-inclinazione

1. Staccare la forcella rimuovendo le viti di montaggio del braccio, per mezzo della chiave allen in dotazione. Vedere l'illustrazione a pagina 36.
2. Utilizzare le 2 viti svasate fornite per montare l'alloggiamento sulla forcella.
3. Collegare la forcella con l'alloggiamento sul braccio.

Dimensioni della forcella



Fori per il montaggio dell'alloggiamento/ telecamere di rete, vedere *Accessori consigliati*, a pagina 33

Collegamento dei cavi

1. Collegare l'alimentatore al motore di traslazione-inclinazione secondo la Guida all'installazione fornita con l'alimentatore di rete. L'alimentatore di rete è il modello AXIS PS24. Per ulteriori informazioni su questo prodotto, vedere il sito Web di Axis all'indirizzo www.axis.com

	Colore del filo	Collegare a
Cavo di alimentazione 24 V CA	Blu	24 V AC sulla sorgente di alimentazione
	Marrone	24 V AC sulla sorgente di alimentazione
	Giallo/Verde	GND

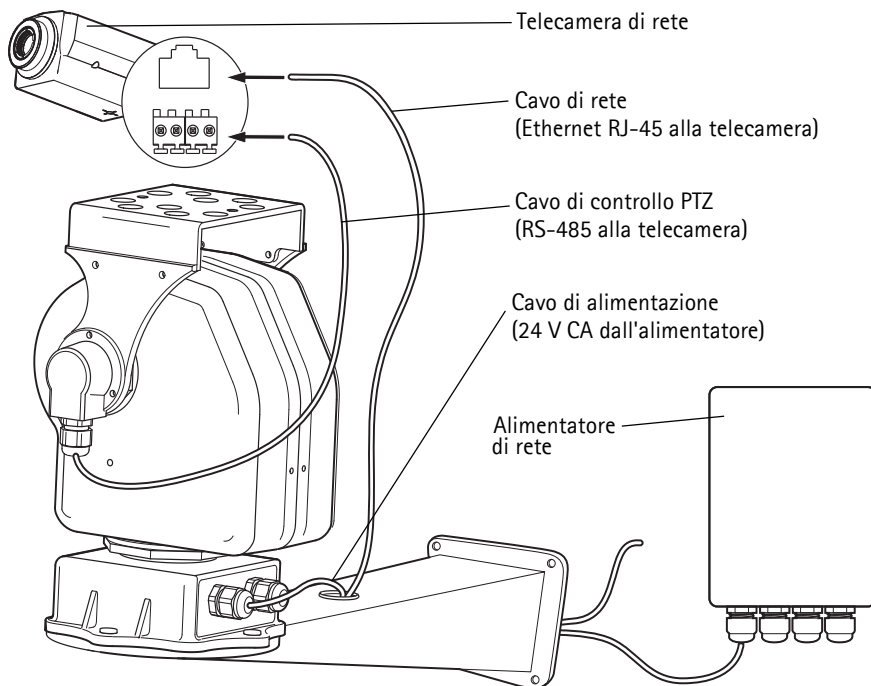
2. Collegare il cavo di controllo PTZ alla porta RS-485 della telecamera. Modelli di telecamera diversi hanno morsettiere diverse, accertarsi quindi di seguire la descrizione corretta per la telecamera installata. Il connettore corretto viene fornito con la telecamera di rete Axis. Per ulteriori informazioni sulle telecamere di rete Axis, vedere il sito Web di Axis all'indirizzo www.axis.com

	Colore del filo	Collegare a
Cavo di controllo PTZ (RS-485)	Rosso	A+ sulla telecamera
	Blu	B- sulla telecamera

3. Collegare la telecamera alla rete, vedere la Guida all'installazione fornita con la telecamera.

Note:

Il connettore RJ-45 del cavo di rete non passa attraverso il passacavo sulla parte inferiore dell'alloggiamento. Il cavo deve quindi essere tagliato, fatto passare attraverso il passacavo e quindi nuovamente ricollegato.



4 Configurazione

Quando si installa una telecamera di rete Axis compatibile sul Motore di traslazione-inclinazione YP3040, i comandi saranno disponibili dalla pagina Live View (Immagini dal vivo) nelle pagine web della telecamera dopo avere abilitato le funzionalità PTZ nella configurazione strumenti. Per abilitare le funzionalità PTZ nella telecamera, attenersi alla seguente procedura:

1. Selezionare **Setup (Configurazione) > System Options (Opzioni di sistema) > Ports & Devices (Porte e dispositivi) > COM Port (Porta COM)** nelle pagine web della telecamera, quindi impostare **Usage (Utilizzo)** a **Pan Tilt (Traslazione-inclinazione)**.
2. Fare riferimento al Manuale per l'utente fornito insieme al prodotto per le istruzioni di configurazione delle impostazioni PTZ.

Specifiche tecniche

Unità	Funzione	Descrizione	
YP3040	Tensione in ingresso	24 V CA 50/60 Hz	
	Consumo elettrico	30 VA	
	Intervallo di movimento	Traslazione	Da 0° a 355°
		Inclinazione	Da 10° a -80°
	Velocità di movimento	Traslazione	7,5°/s
		Inclinazione	6°/s
	Protocollo (predefinito)	Pelco-D	
	Velocità in bit (predefinita)	2400 bps	
	Indirizzo (predefinito)	1	
	Temperatura di esercizio	Da -20°C a 65°C (da -4°F a 149°F)	
	Carico	Torsione (asse del braccio, vedere a pagina 36)	1.5 N m (1,1 ft. lb)
		Tipo di carico	Carico dall'alto
		Carico massimo	8 kg (17.6 lb)
	Peso	4.2 kg (9.3 lb)	
Classe di protezione	IP66 (utilizzo in ambienti interni ed esterni)		
Materiale	Lega di alluminio		

Risoluzione dei problemi

Problema	Causa probabile	Rimedio
L'unità YP3040 non si muove	Manca l'alimentazione	Controllare che alimentazione elettrica sia collegata
	Connessione difettosa nell'alimentatore	Controllare che il cavo di alimentazione elettrica sia intatto e correttamente collegato
L'unità YP3040 si muove quando viene alimentata, ma comunque non risponde ai comandi	Errore nel collegamento del cavo RS-485 alla telecamera di rete	Controllare che il cavo RS-485 sia intatto e correttamente collegato
	La funzionalità PTZ non è abilitata per la telecamera di rete	Controllare che le funzionalità PTZ siano abilitate negli strumenti di configurazione, vedere <i>Configurazione</i> , a pagina 39

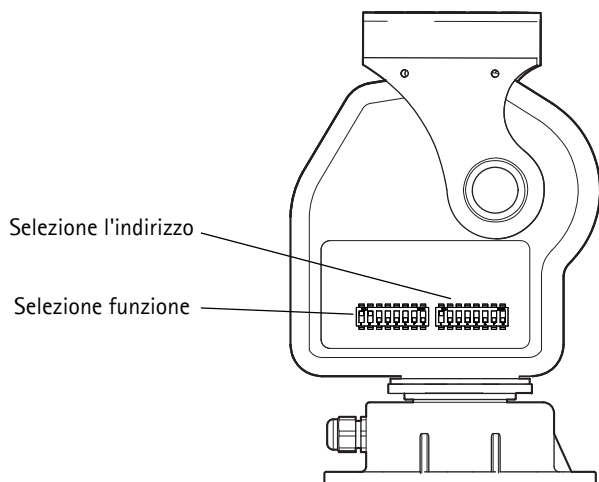
Informazioni sulle impostazioni dei DIP interruttori

La trasmissione tra il motore e la telecamera non funziona se la telecamera utilizza un protocollo e una velocità in bit diversi da quelli del motore. Per le telecamere con un protocollo diverso da Pelco-D e una velocità di 2400 bps, i DIP interruttori devono essere cambiati, vedere *Modifica delle impostazioni dei DIP interruttori*, a pagina 42.

Note:

Le impostazioni predefinite in fabbrica del Motore di traslazione-inclinazione YP3040 sono il protocollo Pelco-D e una velocità di 2400 bps. Questo significa che le impostazioni dei DIP interruttori non devono essere modificate quando il motore viene utilizzato insieme a una telecamera di rete Axis con il protocollo Pelco-D.

Il Motore di traslazione-inclinazione YP3040 ha due serie di 8 DIP interruttori digitali.



Gli 8 interruttori sul lato sinistro vengono utilizzati per selezionare funzioni come il protocollo, la velocità in bit e la resistenza terminale. I 8 interruttori sul lato destro sono utilizzati per selezionare più indirizzi univoci quando si collegano più unità in serie tramite un server video multicanale. Esistono 255 combinazioni diverse degli interruttori.

Note:

In un'installazione tipica è richiesto solo l'unico indirizzo predefinito.

Modifica delle impostazioni dei DIP interruttori

1. Allentare le 4 viti di montaggio del pannello laterale e rimuovere il pannello.
2. Impostare gli 8 interruttori per selezionare le funzioni. Gli interruttori 1, 2, 3 e 4 vengono utilizzati per selezionare il protocollo di controllo PTZ. L'interruttore 7 è sempre OFF. L'interruttore 8 viene usato per connettere una resistenza terminale di 120 Ω e viene commutato a ON quando è necessario.

Selezione funzioni		1	2	3	4	5	6	7	8
Protocollo	Pelco-D (predefinito)	ON	ON	OFF	OFF				
	Pelco-P	OFF	ON	OFF	OFF				
	AD/AB	OFF	OFF	ON	OFF				
Velocità in bit	2400 bps (predefinita)					OFF	OFF		
	4800 bps					ON	OFF		
	9600 bps					OFF	ON		
	19200 bps					ON	ON		
Resistenza terminale	OFF (predefinita)								OFF
	120 Ω								ON
								OFF	

3. Impostare gli 8 interruttori per selezionare l'indirizzo.

Selezionare l'indirizzo	1	2	3	4	5	6	7	8
1 (predefinito)	ON	OFF	OFF	OFF	OFF	OFF	OFF	OFF
2	OFF	ON	OFF	OFF	OFF	OFF	OFF	OFF
3	ON	ON	OFF	OFF	OFF	OFF	OFF	OFF
4	OFF	OFF	ON	OFF	OFF	OFF	OFF	OFF
5	ON	OFF	ON	OFF	OFF	OFF	OFF	OFF
...							
254	OFF	ON	ON	ON	ON	ON	ON	ON
255	ON	ON	ON	ON	ON	ON	ON	ON

4. Rimontare il pannello laterale e stringere le viti.

Garanzia

Per informazioni relative alla garanzia del prodotto AXIS ed ogni altra ulteriore informazione correlata, si prega di consultare la pagina www.axis.com/warranty

Medidas preventivas

- Lea atentamente la Guía de instalación antes de instalar el producto. Guarde la Guía de instalación para futuras consultas.
- Apague la alimentación antes de limpiar el motor. No utilice productos químicos, agentes cáusticos ni limpiadores en aerosol. Utilice un paño húmedo para la limpieza.
- Utilice únicamente accesorios y repuestos suministrados o recomendados por Axis.
- Utilice únicamente una fuente de alimentación de 24 V CA, se recomienda el adaptador de red AXIS PS24.
- Proteja el cable de la fuente de alimentación frente a cualquier daño; preste especial atención a los accesorios, extensiones y salidas de los enchufes.
- Instale un protector contra sobrecargas para proteger el motor de las sobrecargas de energía.
- Evite utilizar cables de instalación excesivamente largos para prevenir incendios o descargas eléctricas.
- No retire las cubiertas ni repare usted mismo el producto, póngase en contacto con Axis o con el distribuidor de Axis para los temas de servicio técnico.

¡IMPORTANTE!

- Mantenga el motor alejado de objetos no identificados o líquidos corrosivos, ya que pueden provocar cortocircuitos en el motor.
- No instale el motor sobre soportes inestables ni en superficies o paredes inestables o vibratorias, ya que pueden provocar lesiones a las personas o dañar el motor.
- No toque el motor durante el funcionamiento.
- No instale ni utilice el motor en lugares peligrosos en los que se almacenen objetos inflamables o explosivos.

Guía de instalación del YP3040

Esta guía de instalación incluye las instrucciones necesarias para instalar el Motor para movimiento horizontal y vertical YP3040.

Pasos para la instalación

1. Verifique el contenido del paquete con la lista que aparece más abajo.
2. Presentación del hardware. Consulte la página 46.
3. Instalación del hardware.
 - Instalación de la escuadra de pared, consulte la página 47.
 - Instalación del motor para movimiento horizontal y vertical, consulte la página 47.
 - Instalación de la cámara en la carcasa, consulte la página 47.
 - Instalación de la carcasa en el motor para movimiento horizontal y vertical, consulte la página 47.
 - Conexión de los cables, consulte la página 48.
4. Configuración, consulte la página 49.

Importante:

Este producto debe utilizarse de acuerdo a la legislación y normativas locales.

1 Contenido del paquete

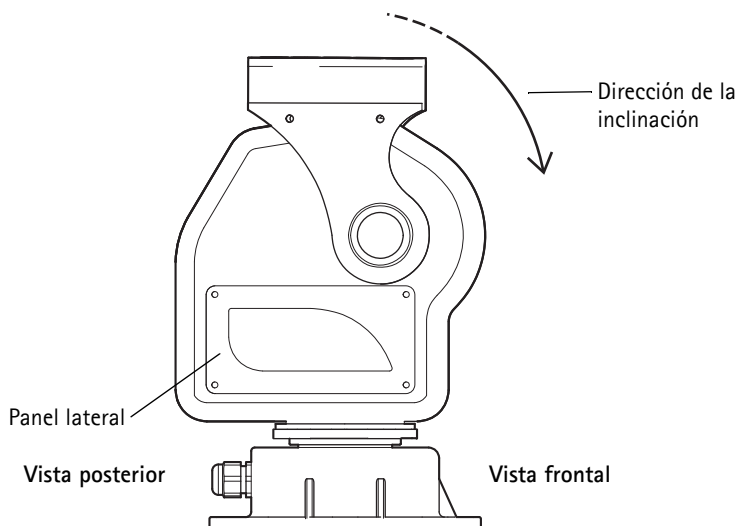
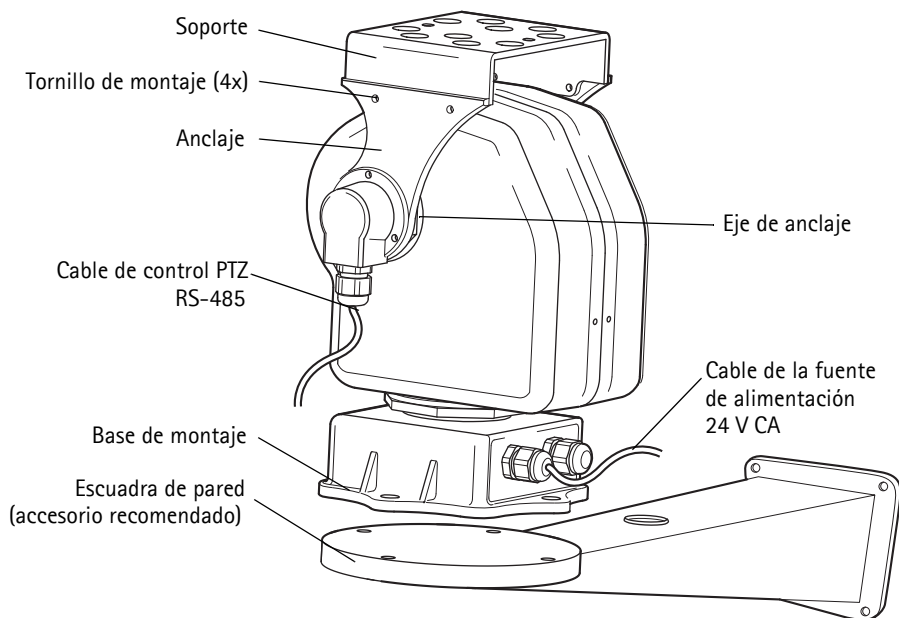
Artículo	Modelos/variantes/notas
Motor para movimiento horizontal y vertical	YP3040
Kit de montaje	2 tornillos M5x10 para montar la carcasa de la cámara en el soporte 4 pernos para montar el motor para movimiento horizontal y vertical en la escuadra de pared recomendada 1 llave Allen
Material impreso	Guía de instalación del YP3040 (este documento) Plantilla de taladrado (con escuadra de pared YP3040)

Accesorios recomendados

Artículo	Modelos/variantes/notas
Escuadra de pared	Escuadra de pared YP3040 para el Motor para movimiento horizontal y vertical YP3040
Adaptador de red	Adaptador de red AXIS PS24, entrada de fuente de alimentación de 100–230 V CA, adecuada para uso en interiores y en exteriores

Accesorios opcionales	Consulte la página www.axis.com para obtener información sobre documentación de productos, herramientas de instalación, cámaras, accesorios para alimentación y carcasas
-----------------------	--

2 Presentación del hardware



Note:

Para las funciones que se encuentran tras el panel lateral, consulte el apartado *Acerca de las opciones del switch DIP*, en la página 51

3 Instalación del hardware

Instalación de la escuadra de pared

1. Prepare la pared para la instalación de la escuadra de pared (accesorio recomendado), utilice la plantilla de taladrado suministrada para situar los orificios. Asegúrese de utilizar brocas, tornillos y tacos adecuados para el material.
 - ! **IMPORTANTE:** para evitar colisiones, asegúrese de que existe suficiente espacio libre alrededor del motor para movimiento horizontal-vertical y entre la cámara y la carcasa para cámara (el espacio libre mínimo hasta el techo es de 60 cm o 24 pulgadas desde el borde superior de la escuadra de pared).
2. Pase los cables a través de la escuadra de pared, consulte la ilustración en la página 48.
3. Fije la escuadra a la pared con la plataforma redonda hacia arriba.
 - ! **IMPORTANTE:** Asegúrese de dejar suficiente holgura, de modo que los cables se puedan torcer y doblar junto con la unidad.

Instalación del motor para movimiento horizontal y vertical

1. Coloque el motor para movimiento horizontal y vertical en la escuadra de pared, consulte la ilustración en la página 46 para ver la dirección de la inclinación y el alineamiento.
2. Fije el motor para movimiento horizontal y vertical apretando los pernos suministrados.

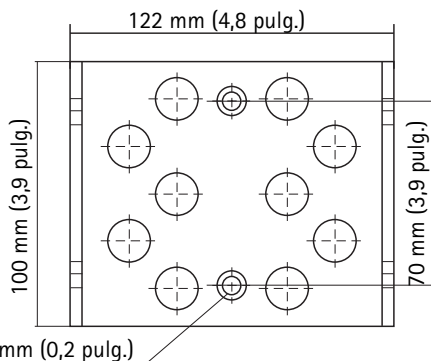
Instalación de la cámara en la carcasa

1. Instale la cámara en la carcasa de acuerdo con las instrucciones de la Guía de instalación suministrada con la carcasa. Asegúrese de permitir el paso del cable de control PTZ a través de la carcasa hasta la cámara, consulte el apartado *Conexión de los cables*, en la página 48. Para obtener más información, consulte las Guías de instalación suministradas con la carcasa y con la cámara.

Instalación de la carcasa en el motor para movimiento horizontal y vertical

1. Separe el soporte retirando los tornillos de montaje del anclaje con la llave Allen suministrada. Consulte la ilustración en la página 46.
2. Utilice los 2 tornillos de cabeza fresada para montar la carcasa sobre el soporte.
3. Acople el soporte con la carcasa al anclaje.

Dimensiones del soporte



Orificios de montaje para la carcasa/cámara de red, consulte *Accesorios recomendados*, en la página 43

Conexión de los cables

1. Conecte la fuente de alimentación al motor para movimiento horizontal y vertical de acuerdo con la Guía de instalación suministrada con el adaptador de red. El adaptador de red recomendado es el AXIS PS24. Para obtener más información sobre este producto, consulte el sitio Web de Axis en www.axis.com

	Color del cable	Se conecta a
Cable para fuente de alimentación de 24 V CA	Azul	24 V CA en la fuente de alimentación
	Marrón	24 V CA en la fuente de alimentación
	Amarillo/verde	Toma de tierra

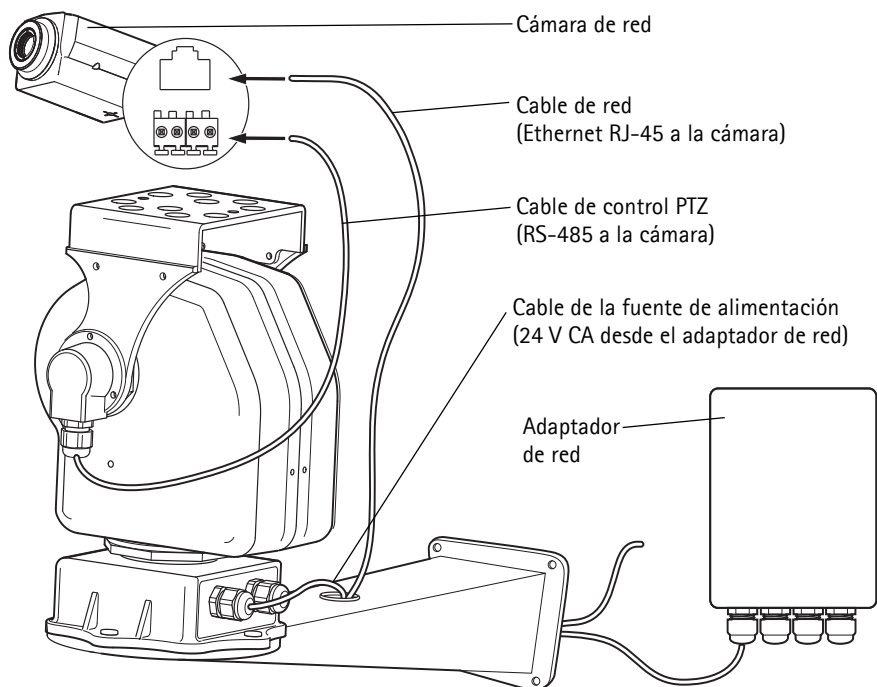
2. Conecte el cable de control PTZ al puerto RS-485 de la cámara. Los distintos modelos de cámaras tienen conectores de terminal diferentes, asegúrese de seguir la descripción correcta para la cámara instalada. La cámara de red Axis se suministra con el conector correcto. Para obtener más información sobre las cámaras de red Axis, consulte el sitio Web de Axis en www.axis.com

	Color del cable	Se conecta a
Cable de control PTZ (RS-485)	Rojo	A+ en la cámara
	Azul	B- en la cámara

3. Conecte la cámara a la red, consulte la Guía de instalación suministrada con la cámara.

Note:

El conector RJ-45 para el cable de red no pasará a través del prensaestopas del cable en el lado inferior de la carcasa. Se deberá cortar el cable, insertarlo a través del prensaestopas y, a continuación, volver a engastarlo.



4 Configuración

Al instalar una cámara de red Axis compatible en el Motor para movimiento horizontal y vertical YP3040, los controles estarán disponibles desde la página Live View de las páginas Web de la cámara, después de activar la funcionalidad PTZ en las herramientas de configuración. Siga estas instrucciones para activar la funcionalidad PTZ en la cámara:

1. Vaya a **Setup (Configuración) > System Options (Opciones del sistema) > Port & Devices (Puertos y dispositivos) > COM port (Puerto COM)** en las páginas Web de la cámara y configure **Uso** en **Movimiento horizontal y vertical**.
2. Consulte el Manual del usuario suministrado con el producto para obtener instrucciones sobre cómo configurar las opciones de PTZ.

Especificaciones técnicas

Unidad	Función	Descripción	
YP3040	Voltaje de entrada	24 V CA 50/60 Hz	
	Consumo de energía	30 VA	
	Rango de movimiento	Panorámica	De 0° a 35°
		Inclinación	De 10° a -80°
	Velocidad del movimiento	Panorámica	7,5°/seg
		Inclinación	6°/seg
	Protocolo (predeterminado)	Pelco-D	
	Frecuencia de bits (predeterminada)	2400 bps	
	Dirección (predeterminada)	1	
	Temperatura de funcionamiento	De -20°C a 65°C (-4°F a 149°F)	
	Carga	Par (eje de anclaje, consulte la página 46)	1.5 N m (1,1 pies lb)
		Tipo de carga	Carga superior
		Carga máxima	8 kg (17.6 lb)
	Peso	4.2 kg (9.3 lb)	
Clase de protección	IP66 (uso en interiores y exteriores)		
Construcción	Aleación de aluminio		

Solución de problemas

Problema	Causa probable	Solución
YP3040 no se mueve	No se ha aplicado energía	Compruebe que está conectada la fuente de alimentación
	Conexión defectuosa en la fuente de alimentación	Compruebe que el cable de la fuente de alimentación está intacto y conectado correctamente
YP3040 se mueve cuando se aplica energía pero, si no, no responde a los comandos	Conexión defectuosa del cable RS-485 a la cámara de red	Compruebe que el cable RS-485 está intacto y conectado correctamente
	La funcionalidad PTZ no está activada en la cámara de red	Compruebe que la funcionalidad PTZ está activada en las herramientas de configuración, consulte la sección <i>Configuración</i> , en la página 49

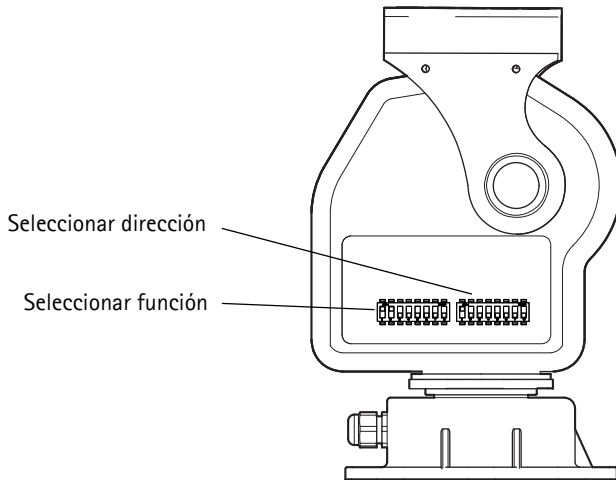
Acerca de las opciones del switch DIP

La transmisión entre el motor y la cámara no funcionará si la cámara utiliza un protocolo y una frecuencia de bits diferentes a los del motor. Para las cámaras con un protocolo distinto al Pelco-D y una frecuencia de bits de 2400 bps, se deberán cambiar los switches DIP, consulte *Cambio de las opciones del switch DIP*, en la página 52.

Note:

Las opciones predeterminadas de fábrica del Motor para movimiento horizontal y vertical YP3040 son el protocolo Pelco-D y una frecuencia de bits de 2400 bps. Esto significa que no es necesario cambiar las opciones del switch DIP cuando se utiliza el motor con una cámara de red Axis con el protocolo Pelco-D.

El Motor para movimiento horizontal y vertical YP3040 tiene dos conjuntos de 8 switches DIP digitales.



Los 8 switches de la izquierda se utilizan para seleccionar funciones como protocolo, frecuencia de bits y resistencia de terminal. Los 8 switches de la derecha se utilizan para seleccionar varias direcciones únicas al conectar diversas unidades en una serie a través de un servidor de vídeo multicanal. Existen 255 combinaciones de switch diferentes.

Note:

En una instalación típica, sólo se necesita la dirección única predeterminada.

Cambio de las opciones del switch DIP

1. Afloje los 4 tornillos de montaje del panel lateral y retire el panel lateral.
2. Configure los 8 switches para seleccionar las funciones. Los switches 1, 2, 3 y 4 se utilizan para seleccionar el protocolo de control PTZ. El switch 7 está siempre DESACTIVADO. El switch 8 se utiliza para conectar una resistencia de terminal de 120 Ω, se cambia a ACTIVADO cuando es necesario.

Seleccionar funciones		1	2	3	4	5	6	7	8
Protocolo	Pelco-D (predeterminado)	ON	ON	OFF	OFF				
	Pelco-P	OFF	ON	OFF	OFF				
	AD/AB	OFF	OFF	ON	OFF				
Frecuencia de bits	2400 bps (predeterminada)					OFF	OFF		
	4800 bps					ON	OFF		
	9600 bps					OFF	ON		
	19200 bps					ON	ON		
Resistencia de terminal	DESACTIVADO (predeterminada)								OFF
	120 Ω								ON
								OFF	

Note:

ON=ACTIVADO, OFF=DESACTIVADO

3. Configure los 8 switches para seleccionar la dirección.

Seleccionar dirección	1	2	3	4	5	6	7	8
1 (predeterminada)	ON	OFF	OFF	OFF	OFF	OFF	OFF	OFF
2	OFF	ON	OFF	OFF	OFF	OFF	OFF	OFF
3	ON	ON	OFF	OFF	OFF	OFF	OFF	OFF
4	OFF	OFF	ON	OFF	OFF	OFF	OFF	OFF
5	ON	OFF	ON	OFF	OFF	OFF	OFF	OFF
...							
254	OFF	ON	ON	ON	ON	ON	ON	ON
255	ON	ON	ON	ON	ON	ON	ON	ON

Note:

ON=ACTIVADO, OFF=DESACTIVADO

4. Vuelva a colocar el panel lateral y apriete los tornillos.

Garantía

Para información sobre la garantía de productos Axis e información relacionada, por favor consulte www.axis.com/warranty

Installation Guide

YP3040

© Axis Communications AB, 2009-2013

Ver.1.5

Printed: March 2013

Part No. 51012

Free Manuals Download Website

<http://myh66.com>

<http://usermanuals.us>

<http://www.somanuals.com>

<http://www.4manuals.cc>

<http://www.manual-lib.com>

<http://www.404manual.com>

<http://www.luxmanual.com>

<http://aubethermostatmanual.com>

Golf course search by state

<http://golfingnear.com>

Email search by domain

<http://emailbydomain.com>

Auto manuals search

<http://auto.somanuals.com>

TV manuals search

<http://tv.somanuals.com>