



**INSTRUCTION MANUAL**

**Model Number/Número de modelo:**

**WDR-52**

**CAUTION:**

**BEFORE USE, PLEASE READ AND FOLLOW ALL SAFETY RULES AND OPERATING INSTRUCTIONS.**

La sección en español empieza en la página 13.

*Avanti has a policy of continuous improvement on its products and reserves the right to change materials and specifications without notice.*

---

**Avanti Products**  
**P.O.Box 520604 - Miami, Florida 33152**  
**[www.avantiproducts.com](http://www.avantiproducts.com)**

---

### Registration Information

Thank you for purchasing this fine Avanti product. Please fill out this card and return it within 100 days of purchase and receive these important benefits:

➤ **Protect your product:**

We will keep the model number and date of purchase of your new Avanti product on file to help you refer to this information in the event of an insurance claim such as fire or theft.

➤ **Promote better products:**

We value your input. Your responses will help us develop products designed to best meet your future needs.

----- (detach here) -----

### Avanti Registration Card

\_\_\_\_\_  
Name

\_\_\_\_\_  
Model#                      Serial#

\_\_\_\_\_  
Address

\_\_\_\_\_  
Date Purchased              Store/Dealer Name

\_\_\_\_\_  
City                      State                      Zip

\_\_\_\_\_  
Occupation

\_\_\_\_\_  
Area Code    Phone Number

**As Your Primary Residence, Do You:**  
 Own                       Rent

**Did You Purchase An Additional Warranty:**

Extended     Food Loss     None     Under

**Your Age:**

18     18-25     26-30  
 31-35     36-50     over 50

**Reason For Choosing This Avanti Product:**

Please indicate the most important factors that influenced your decision to purchase this product.

**Marital Status:**

Married                       Single

Price

**Is This Product Used In The:**

Home                       Business

Product Features

**How Did You Learn About This Product:**

Advertising                       Product Features

Avanti Reputation

In Store Demo                       Personal Demo

Product Quality

Other \_\_\_\_\_

Salesperson Recommendation

Comments \_\_\_\_\_

Friend/Relative Recommendation

Warranty

Other \_\_\_\_\_

---

## HELP US HELP YOU...

### Read this guide carefully.

It is intended to help you operate and maintain your new appliance properly.

Keep it handy to answer your questions. If you don't understand something or you need more help, please call:

**Avanti Customer Service**  
**800-220-5570**

Keep proof of original purchase date (such as your sales slip) with this guide to establish the warranty period.

### Write down the model and serial numbers.

You'll find them on a label located on the back side of the unit.

Please write these numbers here:

\_\_\_\_\_  
Date of Purchase

\_\_\_\_\_  
Model Number

\_\_\_\_\_  
Serial Number

Use these numbers in any correspondence or service calls concerning your appliance

If you received a damaged appliance, immediately contact the dealer (or builder) that sold you the appliance.

Save time and money. Before you call for service, check the Problem Solver Guide. It lists causes of minor operating problems that you can correct yourself.

---

## IF YOU NEED SERVICE

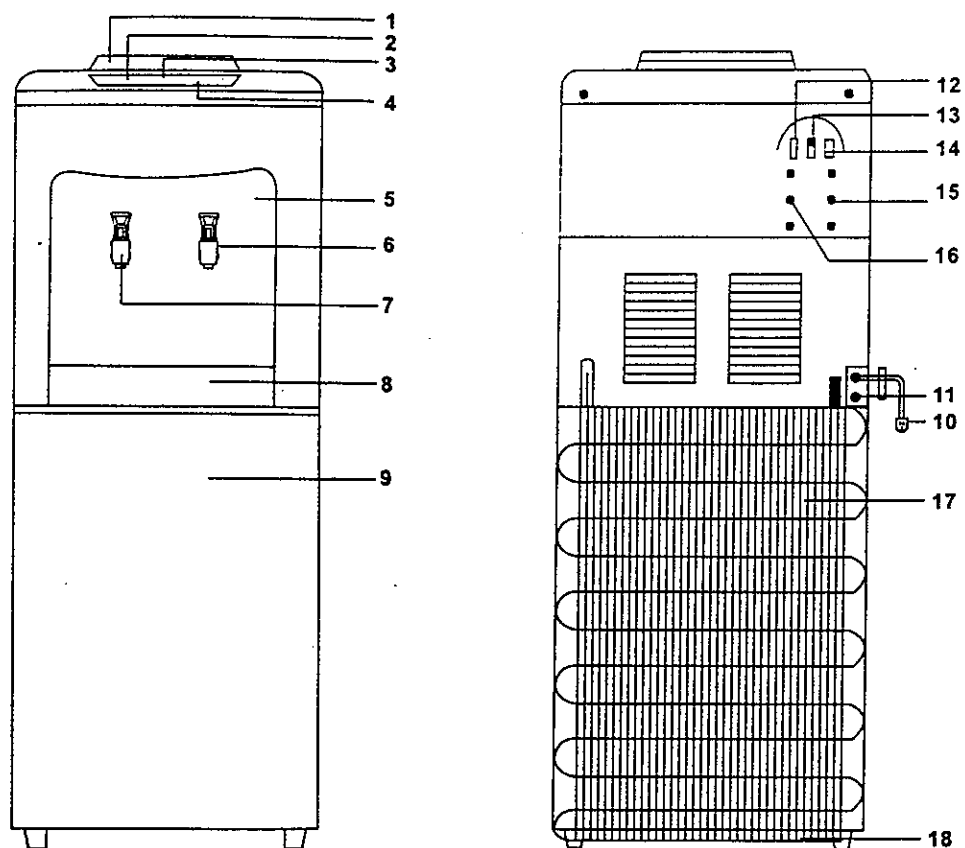
We're proud of our service and want you to be pleased. If for some reason you are not happy with the service you receive, here are some steps to follow for further help.

FIRST, contact the people who serviced your appliance. Explain why you are not pleased. In most cases, this will solve the problem.

NEXT, if you are still not pleased, write all the details, including your telephone number, and send to:

**Customer Service**  
**Avanti Products**  
**10880 NW 30 Street**  
**Miami, FL 33172**

## PARTS AND FEATURES



- |                                       |  |
|---------------------------------------|--|
| 1. WATER INTAKE                       | 10. POWER CORD                         |
| 2. HEATING INDICATOR (RED)            | 11. HOT WATER DRAIN                    |
| 3. POWER INDICATOR (YELLOW)           | 12. REFRIGERATOR POWER SWITCH (YELLOW) |
| 4. COOLING INDICATOR (GREEN)          | 13. COOLING SWITCH (GREEN)             |
| 5. CABINET                            | 14. HEATING SWITCH (RED)               |
| 6. COLD WATER FAUCET (BLUE)           | 15. COOLING THERMOSTAT                 |
| 7. HOT WATER FAUCET/CHILD GUARD (RED) | 16. REFRIGERATOR THERMOSTAT            |
| 8. REMOVABLE DRIP TRAY                | 17. CONDENSER COILS                    |
| 9. REFRIGERATOR DOOR                  | 18. ADJUSTABLE FEET                    |

## Table of Contents

Registration Information Card	2
Help Us Help You	3
Parts and Features	4
Important Safety Instructions	6
Installation Guidelines	6
Before Using You're Appliance	6
Installation of Your Appliance	6-7
Operating Your Appliance	8
Care and Maintenance	9
Troubleshooting Guide	10
Service For Your Appliance	10
Trouble shooting	10
Wiring Diagram	11
Your Avanti Products Warranty	12
Spanish Section	13-17

## Important Safety Instructions

<b>⚡ WARNING ⚡</b>	To reduce the risk of fire, electrical shock, or injury when using your appliance, follow these basic precautions:
<ul style="list-style-type: none"><li>• Read all instructions before using this appliance.</li><li>• <b>DANGER or WARNING:</b> Risk of child entrapment.</li><li>• <b>Before you throw away your old refrigerator:</b> Take off the door, Leave the shelves in place so that children may not easily climb inside.</li><li>• Never allow children to operate, play with, or crawl inside the refrigerator section.</li><li>• Never clean refrigerator parts with flammable fluids. The fumes can create a fire hazard or explosion.</li><li>• Do not store or use gasoline or any other flammable vapors and liquids in the vicinity of this or any other refrigerator. The fumes can create a fire hazard or explosion.</li><li>• Do not plug unit into receptacle until you ensure the water tank switches are off.</li></ul> <p style="text-align: center;">-Save these instructions-</p>	

## INSTALLATION GUIDELINES:

### ➤ **Before Using Your Appliance**

- Remove the exterior and interior packing.
- Check to be sure you have all of the following parts:
  - 3 shelves in refrigerator section.
  - 1 Water Collection tray
  - 1 Instruction Manual
  - Accessories order form.
- Before connecting the appliance to the power source, let it stand upright for approximately 2 hours. This will reduce the possibility of a malfunction in the cooling system from handling during transportation.
- Clean the interior surface with lukewarm water using a soft cloth.
- The water dispenser is pre-cleaned at the factory but the reservoir and water lines must be flushed with fresh water before use as follows:
  - Keep the unit unplugged.
  - Fill water tank with tap water full to capacity (almost 3/4 of a gallon). Wait for 5 minutes until water settles.
  - Press the hot water faucet until water comes out, then stop.
  - Plug the dispenser into the electrical outlet. Both heating and cooling indicator lights on front will light up at first. We are ready to complete the first cycle. In order to do that, wait for the hot water indicator light to go off first (approximately 10 minutes), then wait for the cold water indicator light to go off (another 5 minutes, approximately).
  - Unplug the dispenser from the electrical outlet. Proceed to drain the water from the faucets one at a time until no more water remains.

(Note: To facilitate this operation, use a large container).

  - Then, drain any water left in the tank by opening the drain cap located on the back.
  - Proceed to close the drain cap. Also make sure both faucets are in the off position.
  - Place the 5-gallon bottle of water on the water intake, allow water to stand for approximately one minute.
  - Turn on water faucets to insure water flows from both faucets.
- Plug dispenser into the electrical outlet.
- Now you are ready to use your water dispenser.

### ➤ Installation Of Your Appliance

- Place your appliance on a floor that is strong enough to support the dispenser when it is fully loaded. The unit is provided with four rubber feet.
- Locate the appliance away from direct sunlight and sources of heat (stove, heater, radiator, etc.). Direct sunlight may affect the acrylic coating and heat sources may increase electrical consumption. Extreme cold ambient temperatures may also cause the appliance not to perform properly.
- Allow 2 inches of space between the appliance and the wall, which allows the proper air circulation to cool the compressor.
- Plug the appliance into an exclusive properly installed-grounded wall outlet. Do not under any circumstances cut or remove the third (ground) prong from the power cord. Any questions concerning power and or grounding should be directed toward a certified electrician or an authorized Avanti Products service center.
- This appliance is not recommended for outdoor use.
- Do not locate the dispenser in area where the temperature may fall below freezing (32°F).
- Keep area around dispenser free of dust and dirt.
- Keep the reserve supply of water bottles away from excessive heat and light.
- Never unplug the water cooler, except for maintenance.

NOTE: Your water dispenser has been cleaned and sanitized before leaving the factory, but in case a taste problem develops, place one tablespoon of baking soda and add tap water, Fill water tank again and repeat basic operations previously outlined, except turn the switch marked hot "OFF" to avoid leaving residues in hot water tank.

#### ATTENTION:

If you do not plan to use the water heating function for more than three days, we recommend that you turn the hot switch to the "OFF" position.

### ➤ Electrical Connection

#### **⚡ WARNING ⚡**

**IMPROPER USE OF THE GROUNDED PLUG CAN RESULT IN THE RISK OF ELECTRICAL SHOCK. IF THE POWER CORD IS DAMAGED, HAVE IT REPLACED BY AN AUTHORIZED AVANTI PRODUCTS SERVICE CENTER.**

- This appliance should be properly grounded for your safety. The power cord of this appliance is equipped with a three-prong plug which mates with standard three prong wall outlets to minimize the possibility of electrical shock.
- Do not under any circumstances cut or remove the third ground prong from the power cord supplied.
- Plug the appliance into an exclusive properly installed-grounded wall outlet. Do not under any circumstances cut or remove the third (ground) prong from the power cord. Any questions concerning power and or grounding should be directed toward a certified electrician or an authorized Avanti Products service center.
- Use of extension cords is not recommended.
- This appliance requires a standard 115/120-volt, 60Hz electrical outlet with three-prong ground.
- The cord should be secured behind the appliance and not left exposed or dangling to prevent accidental injury.
- Do not use an extension cord with this appliance. If the power cord is too short, have a qualified electrician or service technician install an outlet near the appliance.

## OPERATING YOUR APPLIANCE

- **Steps To Replace Water Bottles**
- Use a clean cloth to wipe off neck of bottle.
- Remove cap.
- Carefully lift bottle (approx. 40 lbs.) using your legs and not your back. Do not place hands in opening of bottle while placing in reservoir.
- Insert the water bottle on the water intake over reservoir opening so it settles properly on it.
- Wipe off any water which may have splashed on dispenser top.

### ➤ **Refrigerator Control**

Turn the refrigerator switch on rear. The green indicator will be lit on and the process begins. When the refrigerator compartment reaches the right temperature in approximately 90 minutes the green light will go off and you can proceed to load the compartment area.

### ➤ **Cold Water Control**

Turn the cooling switch on. The green indicator will be lit on and the process begins. The first cycle takes approximately 90 minutes for both the cold water and the fridge.

### ➤ **Hot Water Control**

Turn heating switch on, the red indicator will be lit on and the unit will begin to heat the water. When the water reaches the right temperature the red light goes off automatically. When the temperature goes down to approx. 80°C (176° F), the red indicator will glow again and another heating process starts.

#### **NOTE:**

**THE HOT WATER FAUCET HAS A CHILD-SAFETY GUARD ATTACHMENT.**

To get hot water.

- ◆ Squeeze safety valve on backside of handle and tilt faucet handle down.
- ◆ Continue holding safety valve while pushing down faucet handle as long as water is being dispensed.
- ◆ When faucet handle is released, make sure to return it to the original position until a click is heard.



### ➤ **Cup Dispenser (Optional)**

A cup dispenser may be installed by using the mounting holes (covered with plastic caps) located near the top of the side panel of the cooler. The cup dispenser comes equipped with a mounting bracket and screws and may be ordered by completing the enclosed order form provided with your instruction manual.



## CARE AND MAINTENANCE

### ➤ Cleaning Your Appliance

- Turn the temperature controls to "OFF" position, unplug the unit, and remove the contents.
- Wash the inside of the reservoir with a warm water and baking soda solution. The solution should be about 2 tablespoons of baking soda to a quart of water.
- The drip tray, water faucets and shelf should be cleaned with mild detergent and warm water
- The drip tray is located underneath the water dispenser.
- At regular intervals or once a month inspect the coils located across the back of the dispenser. Vacuum accumulation of dust or clean it with a hard brush.
- The outside of the unit should be cleaned with mild detergent and warm water.
- It may also be necessary to periodically wipe the bottom part of the storage area, as the refrigerator is designed to retain humidity, and condensation may collect there.

### ➤ Vacation Time

During long absences, remove all the contents; unplug your appliance, clean the refrigerator

section, and leave the door open slightly to avoid possible formation of condensation, mold, or odors.

### ➤ Moving Your Appliance

- Remove all the contents.
- Securely tape down all loose items inside the refrigerator section.
- Turn the leveling screws up to the base to avoid damage.
- Tape the doors shut.
- Be sure the appliance stays in the upright position during transportation.

## TAKING DISPENSER OUT OF SERVICE

- If the appliance will not be used for a long period of time, unplug the power cord from the wall outlet.
- Drain the water through the faucets.
- Turn the switch marked hot to the "OFF" position.
- Drain the water from the tank by removing the plug from the back of the dispenser.

**WARNING -THE WATER COMING OUT OF THE BACK SIDE MARKED "HOT" MAY BE SCOLDING.**

- Unit should not be transported on the sides. Place it upright if possible and cover it with a blanket.

## PROBLEMS WITH YOUR APPLIANCE?

You can solve many common appliance problems easily, saving you the cost of a possible service call. Try the suggestions outlined below to see if you can solve the problem before calling the servicer.

### TROUBLESHOOTING GUIDE

PROBLEM	POSSIBLE CAUSE
Appliance does not operate.	Not plugged in. The circuit breaker tripped or blown fuse.
Water cooler is not cold enough.	Check to be sure the cold switch on the back is ON. The appliance does not have the correct clearances.
Water dispenser hot water is not hot enough.	Check to be sure the hot switch on the back is ON.
Compressor turns on and off frequently.	The room temperature is hotter than normal. The temperature control is not set correctly. The appliance does not have the correct clearances. The refrigerator door is open too often. The refrigerator door is not closed completely.
Vibrations.	Check to assure that the appliance is level.
The door will not close properly.	The appliance is not level. The gasket is dirty.
The appliance seems to make too much noise.	The rattling noise may come from the flow of the refrigerant, which is normal. As each cycle ends, you may hear gurgling sounds caused by the flow of refrigerant in your appliance. Contraction and expansion of the inside walls may cause popping and crackling noises. The appliance is not level.

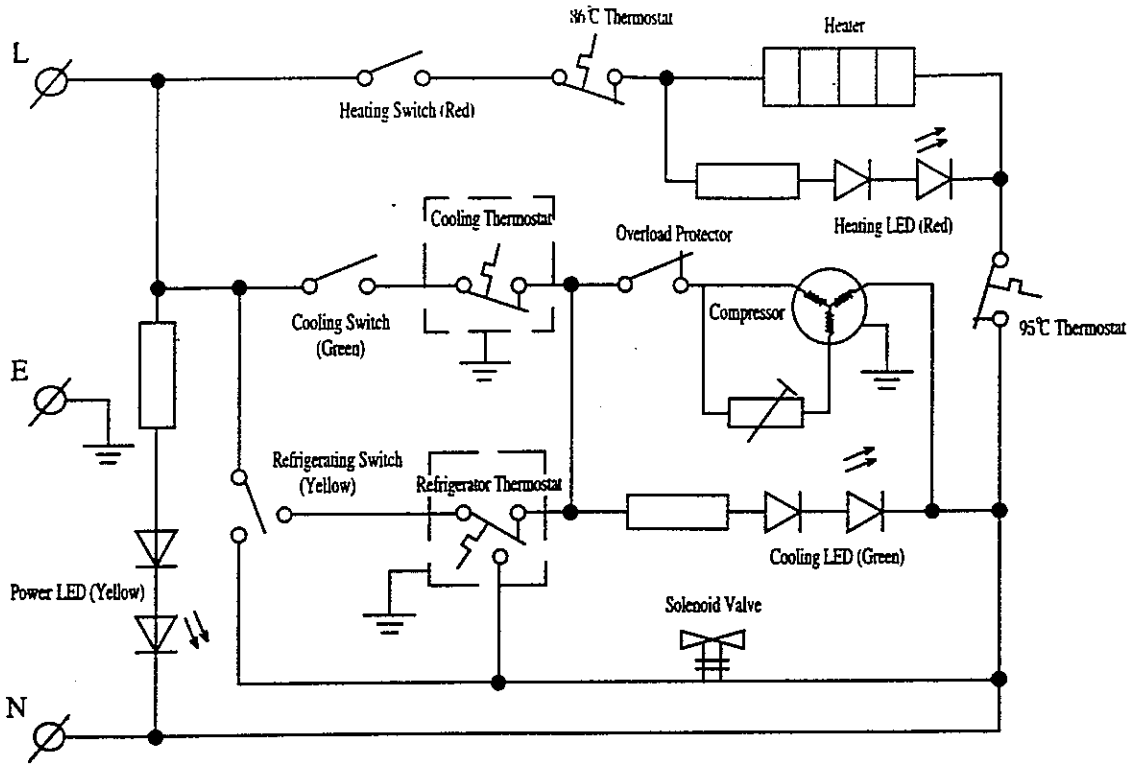
### SERVICE FOR YOUR APPLIANCE

We are proud of our customer service organization and the network of professional service technicians that provide service on your Avanti appliances. With the purchase of your Avanti appliance, you can have the confidence that if you ever need additional information or assistance, the Avanti Products Customer Service team will be here for you. Just call us toll-free.

### AVANTI PRODUCTS CUSTOMER SERVICES

Product Information 800-323-5029	Whatever your questions are about our products, help is available.
Part Orders 800-220-5570	You may order parts and accessories that will be delivered directly to your home. You may order these items by personal check, money order, Master Card, or Visa.
In-Home Repair Service 800-220-5570	An Avanti Products authorized service center will provide expert repair service, scheduled at a time that is convenient for you. Our trained servicers know your appliance inside and out.

# WIRING DIAGRAM



YOUR Avanti Products WARRANTY

Staple your sales receipt here. Proof of original purchase date is needed to obtain service under warranty.

#### WHAT IS COVERED

##### LIMITED ONE-YEAR WARRANTY

For one year from the date of purchase by the original owner, Avanti Products will, at its option, repair or replace any part of the appliance which proves to be defective in material or workmanship under normal use. During this period Avanti Products will provide all parts and labor necessary to correct such defects free of charge, so long as the appliance has been installed and operated in accordance with the written instructions in this manual. In rental or commercial use, the warranty period is 90 days. All Avanti Appliances of 3.5 cubic foot capacity or less must be brought/sent to the appliance service shop for repair.

##### LIMITED SECOND THROUGH FIFTH YEAR WARRANTY

For the second through the fifth year from date of original purchase, Avanti Products will provide a replacement compressor free of charge due to a failure. You are responsible for the service labor and freight charges. In rental or commercial use, the limited compressor warranty is one year and nine months. Cost to move the appliance to the servicer's shop and back to the user's home, as may be required, are the user's responsibility.

---

#### WHAT IS NOT COVERED

- Incidental or consequential damages.
- Parts and labor costs for the following will not be considered as warranty:
  - Inner door panels, door shelves, door rails, and/or door supports.
  - Light bulbs and/or plastic housing.
  - Plastic cabinet liners.
  - Punctured evaporator that voids the warranty on the complete sealed system.
  - Replacement of house fuses or resetting circuit breakers.
- Repairs performed by unauthorized servicers.
- Service calls that do not involve defects in material or workmanship such as customer education, door reversal, or proper installation.
- Service calls that are related to external problems, such as abuse, misuse, inadequate electrical power, accidents, fire, floods, or acts of God.
- Failure of the product if it is used for other than its intended purpose.
- This warranty does not apply outside the continental U.S.A.

## INSTRUCCIONES

<b>PRECAUCIÓN</b>	Para reducir el riesgo de incendio, descarga eléctrica, o daño cuando use su electrodoméstico, siga las siguientes precauciones.
<ul style="list-style-type: none"><li>• Lea todas las instrucciones antes de usar su electrodoméstico.</li><li>• Peligro o Precaución: Existe el riesgo que los niños queden atrapados dentro.</li><li>• Niños atrapados o sofocados no son un problema del pasado. Los electrodomésticos son peligrosos aún si solo los deja en el garaje por un par de días.</li><li>• Antes de desechar su congelador o refrigerador usado: quítele las puertas. Deje las repisas en su lugar para evitar que los niños se queden atrapados.</li><li>• No permita que los niños manejen, jueguen o entren dentro del electrodoméstico.</li><li>• No limpie su electrodoméstico con líquidos inflamables. Los gases pueden ocasionar fuego o una explosión.</li><li>• No guarde ni use gasolina u otros líquidos inflamables cerca de esta o de cualquier otro electrodoméstico. Los vapores pueden ocasionar fuego o explosión.</li></ul> <p style="text-align: center;">- Guarde estas instrucciones -</p>	

## INSTRUCCIONES PARA LA INSTALACION

### ➤ Antes de Usar su Electrodomestico

- Retire la envoltura interna y externa
- Verifique que tenga las siguientes partes:
  - 3 repisas dentro del refrigerador
  - Manual de instrucciones
  - Bandeja de goteo
  - Forma para ordenar accesorios
- Antes de conectar su electrodoméstico a la corriente eléctrica, ubíquelo en una superficie plana por lo menos por 2 horas. Esto reducirá la posibilidad de malfuncionamiento en el sistema de enfriamiento causado por el manipuleo durante el transporte.
- Limpie la superficie interior con agua tibia utilizando un trapo suave.
- Mantenga el dispensador desconectado.
- Llene el tanque de agua hasta el tope (3/4 galón) y deje que el agua se asiente (aprox. 5 minutos).
- Abra la llave de agua caliente hasta que salga agua y luego ciérrela.
- Conecte el dispensador a la corriente eléctrica. Ambas luces indicadoras (caliente y fría) se encenderán. Estamos listos para iniciar el primer ciclo. Espere que la luz indicadora del agua caliente se apague (10 minutos aproximadamente) y después espere que se apague la luz indicadora de agua fría (5 minutos aproximadamente).
- Desconecte el dispensador de la corriente eléctrica. Proceda a abrir las llaves de los caños hasta que no quede nada de agua. (Nota: para facilitar este procedimiento utilice un recipiente grande).
- Para que drene toda el agua que quede en los tanques, abra la tapa de drenaje ubicada en la parte trasera una.
- Cierre la tapa de drenaje y verifique que las llaves de agua fría y caliente estén cerradas.

- Coloque el botellón de agua siguiendo las instrucciones para cambiar el botellón.
- Conecte la unidad a la corriente eléctrica.
- Ahora el dispensador está listo para ser usado.

➤ **Instalación de su dispensador**

- Ubique su dispensador en un piso que sea lo suficientemente fuerte para soportar el peso del dispensador cuando esté totalmente lleno.
- Aleje el dispensador del aire caliente, vapor o líquidos que puedan salpicarlo, ya que la unidad podría averiarse. Los rayos solares directos pueden malograr la capa acrílica, y las fuentes de calor pueden ocasionar un aumento en el consumo eléctrico.
- Deje 3 pulgadas más o menos de espacio entre la pared y la parte posterior y los costados de su electrodoméstico, lo cual permitirá la circulación de aire apropiada para enfriar el compresor.
- Conecte el dispensador a un enchufe de pared exclusivo e instale el cable de tierra. Bajo ninguna razón se debe retirar la tercera punta del enchufe. Cualquier consulta con respecto a la energía y/o cable de tierra debe ser dirigida a un electricista certificado o autorizado por el Servicio Técnico de Avanti Products.
- Evite los sitios húmedos y los ambientes extremadamente fríos ya que podría afectar la eficiencia del enfriamiento de su dispensador.
- No use el dispensador al aire libre.
- Mantenga los botellones de reserva de agua alejados de exceso de calor y luz.
- Sólo desconecte el dispensador cuando lo limpie.

**NOTA:** Aunque el dispensador sale limpio de la fábrica, recomendamos echar en el tanque una cucharada de bicarbonato de soda y llenar de agua hasta el tope repitiendo las instrucciones previamente indicadas, excepto apagar el interruptor que dice "HOT" (caliente) para evitar que queden residuos en el ducto de agua caliente.

**ATENCIÓN:** Si no tiene pensado utilizar la función de calentamiento por más de 3 semanas, recomendamos mantener apagado el interruptor.

**ADVERTENCIA**

El uso inapropiado del enchufe a tierra puede desencadenar un choque eléctrico. Consulte a personal autorizado por Avanti Products si tiene alguna duda sobre las instrucciones o si tiene alguna consulta si el electrodoméstico está correctamente instalado a la corriente eléctrica y a tierra. Si el cordón del enchufe del electrodoméstico se encuentra dañado, debe ser reemplazado por el Servicio Técnico de Avanti Products.

**OPERANDO SU DISPENSADOR DE AGUA**

➤ **Pasos recomendados para cambiar el botellón**

- Retire el botellón vacío.
- Limpie el cuello del botellón nuevo con un trapo limpio.
- Levante el botellón haciendo fuerza con las piernas y no con la espalda.
- Voltee el botellón como si fuera a echar agua, tómelo de los costados y emboque el cuello hacia la apertura del tanque hasta que se coloque en la posición adecuada.

➤ **Control del refrigerador**

Encienda el control del refrigerador situado en la parte trasera. El indicador de luz verde se encenderá y el proceso de enfriamiento se iniciará. Cuando el compartimiento de refrigeración alcance la temperatura correcta, la luz verde se apagará automáticamente.

➤ **Controles de Manejo:**

➤ **Control de Agua Fría**

Encienda el interruptor del agua fría (12). El indicador de luz verde se encenderá y el proceso de enfriamiento se iniciará. Cuando el agua alcance la temperatura apropiada la luz verde se apagará automáticamente (5° - 7° C).

➤ **Control de Agua Caliente**

Encienda el interruptor del agua caliente. El indicador de luz roja se encenderá y el proceso de calentamiento se iniciará. Cuando el agua alcance la temperatura apropiada la luz roja se apagará automáticamente. Cuando la temperatura del agua sea menos de 80° C, la luz roja se encenderá otra vez y se iniciará otra vez el proceso de calentamiento.

**NOTA:**

**LA LLAVE DE AGUA CALIENTE TIENE UN SEGURO A PRUEBA DE NIÑOS.**

➤ **Agua Caliente:**

- ◆ Para obtener agua caliente presione el botón de seguridad que se encuentra en la parte trasera de la llave.
- ◆ Mantenga presionado este botón cuando gire la llave hacia abajo mientras sale el agua.
- ◆ Cuando suelte la llave, asegúrese de retornarla a la posición original hasta que escuche un ruido.



➤ **Dispensador de Vasos (Opcional)**

El dispensador de vasos debe ser instalado en los orificios que se encuentran en la parte superior de ambos lados del panel del dispensador. El dispensador de vasos viene preparado con soportes y tornillos para asegurarlos en los orificios mencionados arriba.

**CUIDADO Y MANTENIMIENTO**

➤ **Limpiando su Dispensador**

- Gire los controles de temperatura a "OFF" (apagado), desconéctelo de la corriente eléctrica y vacíe el contenido líquido.
- Lave el interior del tanque con agua tibia y una solución de bicarbonato de soda. Esta solución se prepara con 2 cucharadas de bicarbonato disuelto en un litro de agua.
- La bandeja de goteo, los grifos de agua y la repisa pueden ser limpiados con un detergente suave y agua tibia.
- Verifique el condensador o la rejilla de alambre localizado en la parte trasera del dispensador por lo menos una vez al mes. Si encuentra acumulación de polvo retirelo con una aspiradora o con un cepillo duro. El exterior del dispensador puede ser limpiado con un detergente suave y agua tibia.
- También es necesario que periódicamente seque la parte baja del área de almacenaje como todo refrigerador que está diseñado para retener humedad.
- Hay una bandeja debajo del dispensador para retener agua.

➤ **Si usted sale de Vacaciones (Durante una ausencia larga)**

- Retire el botellón de agua y todo el contenido.
- Desconecte la unidad de la corriente eléctrica.
- Limpie completamente su dispensador y refrigerador.

- Evite la formación de mal olor y moho dejando la puerta de su refrigerador abierta.

➤ **Moviendo su Dispensador**

- Retire el botellón de agua y los alimentos.
- Asegúrese de colocar cinta adhesiva a todas las piezas que se puedan caer o perder.
- Selle la puerta con cinta adhesiva.
- El dispensador debe transportarse parado con un objeto con una frazada para que no se raye.
- Asegúrese de que el dispensador se mantenga parado durante el traslado.

**SI NO VA A USAR EL DISPENSADOR POR UN TIEMPO PROLONGADO**

- Desconecte la unidad de la corriente eléctrica.
- Deje drenar toda el agua a través de las llaves de agua.
- Apague todos los interruptores.
- Deje drenar toda el agua de los tanques sacando los tapones que se encuentran en la parte trasera de la unidad.

**PELIGRO**

**El agua que sale por atrás del ducto que dice "HOT" (CALIENTE) puede estar hirviendo.**

La unidad no debe ser transportada de costado. Párela, colóquela lo más derecha posible y cúbrala con una frazada para que no se raye.

**PROBLEMAS CON SU DISPENSADOR**

Usted puede resolver muchos problemas comunes de su electrodoméstico fácilmente, ahorrándole el gasto de una posible visita del servicio técnico. Pruebe las siguientes sugerencias para verificar si usted puede resolver el problema antes de llamar al servicio técnico.

**GUIA PARA SOLUCIONAR PROBLEMAS**

PROBLEMA	SOLUCIÓN
Su electrodoméstico no funciona.	No está conectado a la corriente eléctrica. El interruptor saltó o se quemó un fusible.
El dispensador no enfría suficientemente el agua.	Verifique que el interruptor de enfriamiento (COLD) esté encendido (ON). El dispensador de agua no tiene el suficiente espacio libre.
El dispensador no calienta el agua lo suficiente.	Verifique que el interruptor de calentamiento (HOT) esté encendido (ON).
El compresor se enciende y se apaga frecuentemente.	La temperatura de la habitación está más caliente de lo normal. El control de temperatura no está funcionando correctamente. La puerta del refrigerador está abierta frecuentemente. El dispensador de agua no tiene el suficiente espacio libre.
Vibración.	Asegúrese que el dispensador esté nivelado. El piso puede estar desnivelado.
Sonidos similares a crujidos y estallidos cuando empieza a funcionar el compresor	Esto es normal. Es el refrigerante (usado para enfriar el dispensador de agua) que está circulando a través del sistema. Las partes metálicas, como los ductos de agua caliente, se expanden y contraen. Esto es normal. El sonido desaparecerá gradualmente.



## SERVICIO TECNICO PARA SU ELECTRODOMESTICO

Estamos orgullosos de nuestro servicio de atención al cliente que brindan nuestros técnicos profesionales en sus electrodomésticos Avanti. Con la compra de sus electrodomésticos Avanti, usted puede confiar que si usted necesita información adicional o asistencia, el equipo del Departamento de Servicio al Cliente de Avanti Products estará con usted para responder cualquier consulta o inquietud que usted tenga. Llámenos gratis a los siguientes números telefónicos.

### SERVICIO AL CLIENTE DE AVANTI PRODUCTS

Información de Producto 800-323-5029	Estamos dispuestos a ayudarlos si tiene dudas o preguntas acerca de nuestros productos.
Para pedir Repuestos 800-220-5570	Usted debe ordenar las partes y accesorios que necesite y nosotros se los enviaremos directamente a su domicilio. Usted puede ordenar lo que necesite y pagar con cheques personales, efectivo, Master Card o Visa.
Servicio de Reparación a domicilio 800-220-5570	Avanti Products autoriza al Centro de Servicio para brindarle servicio experto de reparación, adecuándose al horario que usted encuentre conveniente. Nuestros técnicos conocen perfectamente nuestros productos tanto por dentro como por fuera.

PRINTED IN CHINA

## Free Manuals Download Website

<http://myh66.com>

<http://usermanuals.us>

<http://www.somanuals.com>

<http://www.4manuals.cc>

<http://www.manual-lib.com>

<http://www.404manual.com>

<http://www.luxmanual.com>

<http://aubethermostatmanual.com>

Golf course search by state

<http://golfingnear.com>

Email search by domain

<http://emailbydomain.com>

Auto manuals search

<http://auto.somanuals.com>

TV manuals search

<http://tv.somanuals.com>