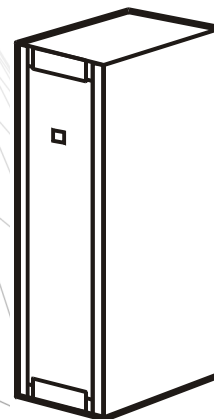


Operation

Smart-UPS[®] VT

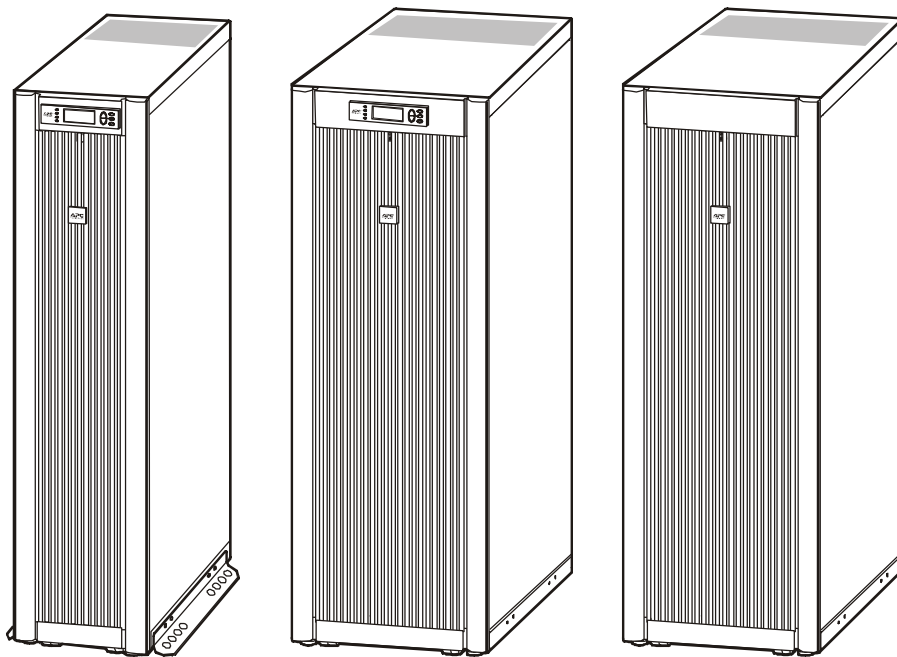
10-30 kVA
200/208 V





Smart-UPS[®] VT and XR Battery Enclosure 10-30 kVA 200/208 V

Operation Manual



IMPORTANT!

**THIS DOCUMENT CONTAINS IMPORTANT SAFETY INSTRUCTIONS -
PLEASE SAVE THESE INSTRUCTIONS!**

Contents

Safety	1
General Safety Instructions	1
Symbols used in this guide	1
Environmental symbols	1
General safety	1
Operation	3
Introduction	3
The Smart-UPS VT Family Range	4
352mm Enclosures	4
523mm Enclosures	4
Operation Modes	5
Normal operation	5
Battery operation	5
Bypass operation (or static bypass operation) utility	5
Mechanical bypass	5
Wrap-around maintenance bypass	5
The Display	6
Introduction	6
Navigation	7
Basic display navigation principles	8
Control functions	8
Status views	9
Clock set-u	10
Logging	11
Alarm threshold	12
Display setup	12
Diagnostics screen	13
Display Messages/Troubleshooting	15
Display messages	15

Front Panel and Battery Compartment Cover Removal/Installation 18

Front Panel removal	18
Remove Battery Compartment Cover	19
Battery Compartment Cover installation	20
Front Panel installation	21

Total-Power-Off Procedure 22

Restart Procedure 23

Power application	23
Voltage confirmation	24

Mechanical Bypass 25

Mechanical Bypass Lever	25
Turn into mechanical bypass	25
Switch into normal operation (from mechanical bypass operation)	26

Network Management Card with Environmental Monitor 27

Network Management Card replacement	27
---	----

Battery Replacement 28

General safety prior to module replacement	28
Battery Module	28
Removal and installation of Battery Lock (if applicable)	29
Battery Module removal	30
How to install a Battery Module	30

How to Obtain Replacement Parts 32

Orderable parts	32
---------------------------	----

Appendix 33

UPS Components and Options 34

352mm Enclosures	34
523mm Enclosures	34
Serial number	34
Type label	35
System sizes, part nos., number of Battery Modules and	

weights	36
Part number coding	36
Battery Module	36
Stabilizing Bracket	37
User interface	38
Foot print	40
APC Network Management Card AP9619 (installed in UPS) and APC Humidity Sensor (Optional)	40
Options	41
Extended Run Battery Enclosure (XR Battery Enclosure)	41
Part numbers for XR Battery Enclosures	42
Part number for Battery Module	42

Safety

General Safety Instructions

This guide contains important instructions that should be followed when handling the UPS, Battery Enclosures, and Batteries.

Symbols used in this guide



WARNING!
Risk of electric shock.



CAUTION!
Read this information to avoid equipment damage.



NOTE!
Indicates important information.



SEE!
Indicates that more information is available on this subject in a different section of this manual.



SEE ALSO!
Indicates that more information is available on the same subject in a different manual.

Environmental symbols

Temperature	Ventilation requirements	Humidity	Dust/Fumes	Altitude

General safety



Use two people to lift components weighing between 18 – 32 kg.

I Indicates that a switch or current protection device is in the ON position.

O Indicates that a switch or a breaker is in the OFF position.



WARNING!

Hazardous electrically-charged parts inside the UPS are energized from the battery supply even when the AC power is disconnected. Follow Total-Power-Off Procedure to completely de-energize the system.



NOTE!

For configurations including customer-supplied external batteries, refer to manufacturer's battery installation and maintenance instructions.

Operation

Introduction

Welcome to the Operation Manual covering the Smart-UPS® VT UPS and the Extended Run Battery Enclosure (XR Battery Enclosure). This manual provides you with a detailed description of start-up, operation, and troubleshooting.

Separate manuals are available on:

- Receiving and Unpacking part no. 990-2358.
- UPS Site preparation and Installation part no. 990-2360.
- XR Site preparation and Installation part no. 990-2357.



NOTE!

For more details on APC products and services, visit us at www.apc.com



WARNING!

Only trained person familiar with the construction and operation of the equipment, including the electrical and mechanical hazards involved, may install and remove system components.



NOTE!

Details on the UPS sizes, runtime, weight etc. are available in the Appendix under “*System sizes, part nos., number of Battery Modules and weights*” on page 40

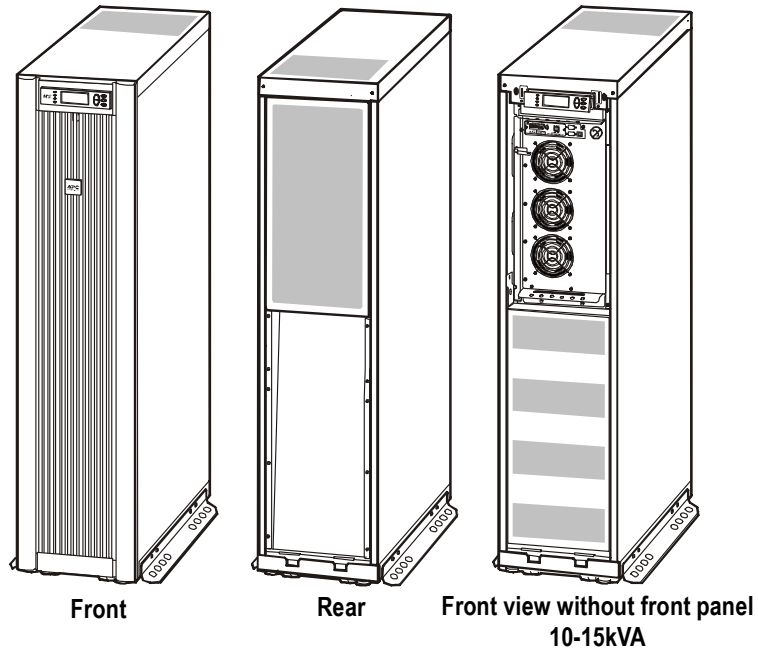


NOTE!

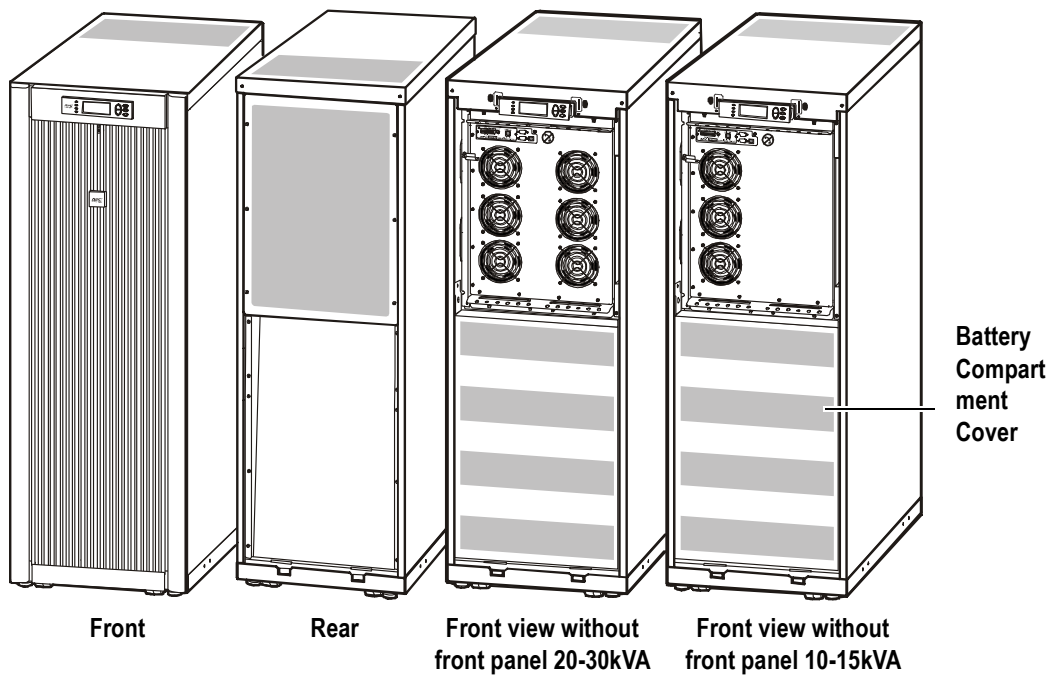
Most illustrations show 523mm Enclosures but apply to both Enclosure sizes. Any differences between the two Enclosure sizes will be addressed in the manual.

The Smart-UPS VT Family Range

352mm Enclosures



523mm Enclosures



Operation Modes

In a stand-alone installation, the UPS has four different operating modes. If the installation includes a Maintenance Bypass Panel, bypass mode and test mode will also be available.

Normal operation

During normal operation, the UPS converts utility power to conditioned power for the connected load.

Battery operation

During battery operation, the UPS provides power to the connected load from its internal and (if applicable) external batteries for a finite period. The UPS transfers to battery operation if the supply of utility power fails, or is outside pre-defined limits.

Bypass operation (or static bypass operation) utility

Static bypass operation can either be obtained by user request or automatically, as the UPS will switch into bypass operation if both the normal and battery operation modes are unavailable. During static bypass operation, the utility power is sent through internal Radio Frequency Interference (RFI) filters to the connected load, bypassing the internal power converters. The UPS transfers to bypass operation following a command received via the user display, or after a short or heavy overload on the output of the UPS. Battery back-up is not available in bypass operation.

Mechanical bypass

In mechanical bypass, utility power is sent directly to the connected load through a mechanical breaker, bypassing all internal UPS functions and filters. Mechanical bypass is obtained by the operation of the mechanical bypass breaker lever located behind the front cover. Mechanical bypass is a feature designed to keep the load supplied with utility power at maintenance of the power sections of the UPS. All major maintenance operations can be performed with the UPS running in mechanical bypass, and with the load being supplied directly with unconditioned utility power.

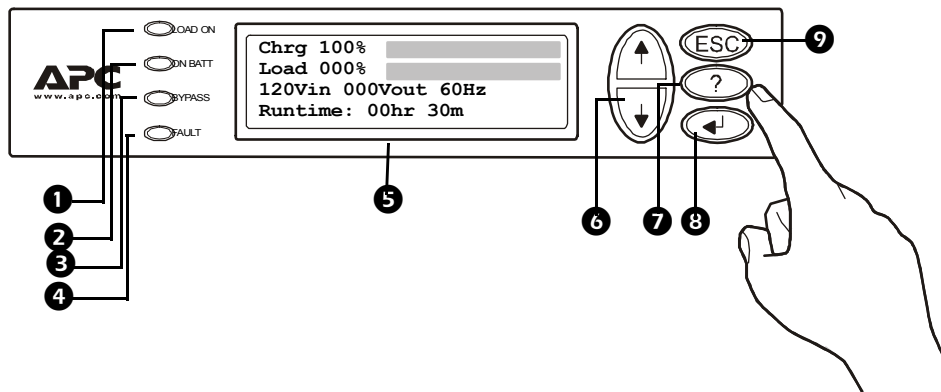
Wrap-around maintenance bypass

The UPS can be connected to an external Maintenance Bypass Panel. When activated, this panel bypasses the entire UPS Enclosure (only possible with an optional APC Maintenance Bypass Panel), feeding utility power directly to the load. An activated wrap-around Maintenance Bypass Panel completely isolates the UPS and allows maintenance to be performed - including a replacement of the entire UPS.

The Display

Introduction

The four LEDs to the left of the display indicate the operational status of the UPS. The five navigation keys to the right are used to select and open menu items, to access information, change system parameters, and to launch context-sensitive help.



1	LOAD ON	When the green LED is on, the UPS provides power to the load equipment.
2	ON BATT	When the yellow LED is on, power to the load flows from the batteries to the Power Module.
3	BYPASS	When the yellow LED is on, power to the load is supplied through the static bypass switch or mechanical bypass.
4	FAULT	When the red LED is on, a fault condition exists.
5	LCD Screen	Displays alarms, status data, instructional help, and configuration items.
6	UP and DOWN navigation keys	Selects menu items and accesses information.
7	HELP key	Launches context-sensitive help.
8	ENTER key	Opens menu items and enters input changes to system parameters.
9	ESC key	Returns to previous screen displayed.

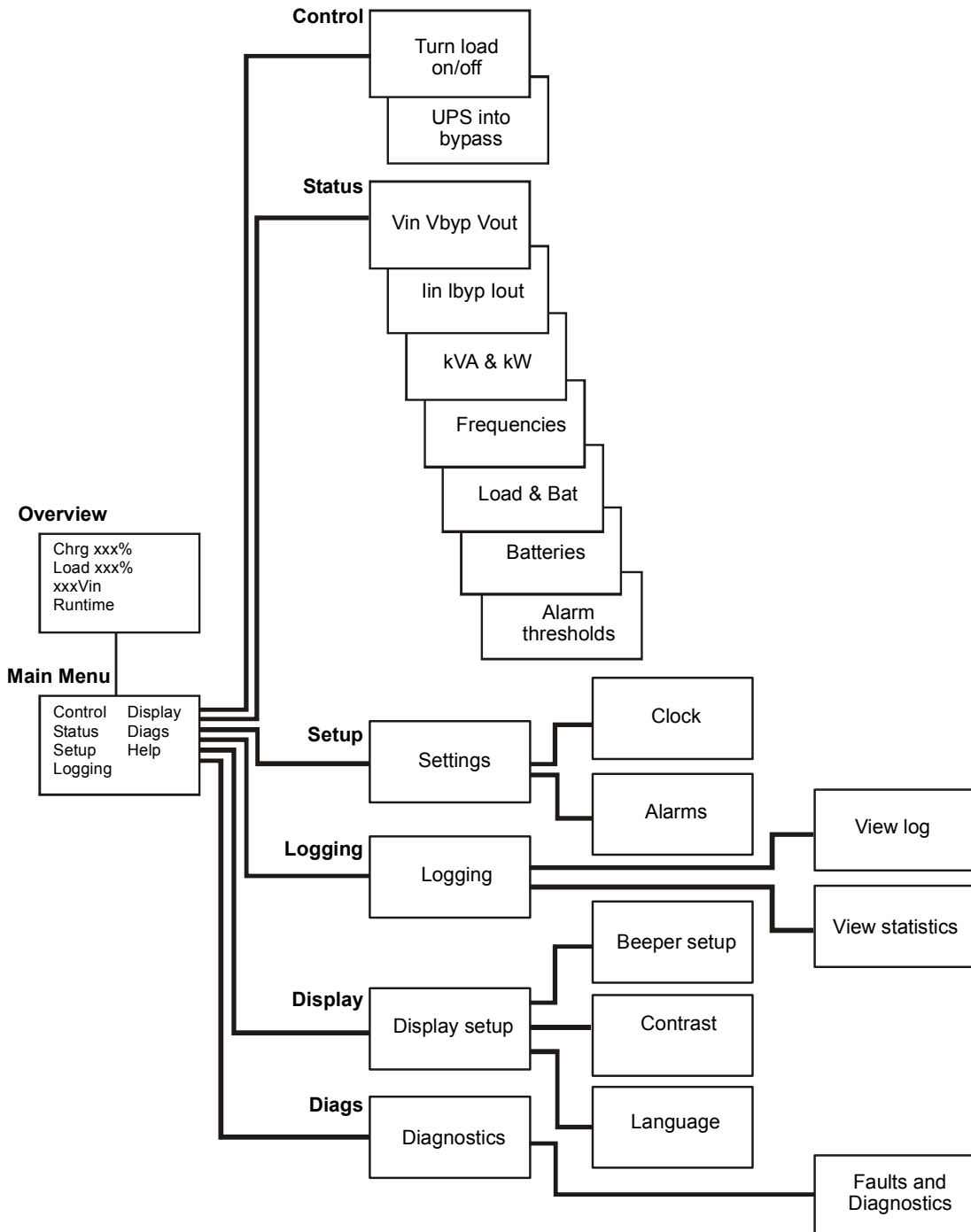


NOTE!

The display provides access to more functions than described in this manual. Those functions should not be accessed without the assistance of APC Customer Support in order to avoid unwanted load impacts. For APC World-wide Customer Support, refer to rear cover of this manual.

Navigation

The menu tree provides a quick overview of the user interface functions.



NOTE!

If you get beyond the functions described in the menu tree, do not proceed (not user functions). Press ESC to go back.

Basic display navigation principles

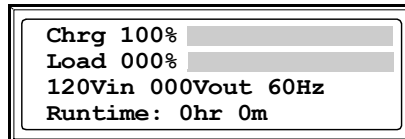


NOTE!

All illustrated display screens are examples only!

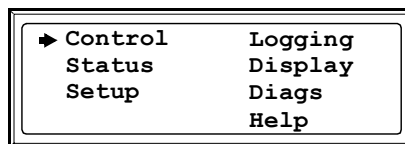
On the display, press ESC until you get to the Overview Screen, which provides you with basic system status information.

Press **UP**, **DOWN** arrows to navigate the selector arrow and view all sub-menu screens.



Overview Screen

Press **ENTER** to open the **Main Menu** screen. From here, you command, configure, and monitor the system.

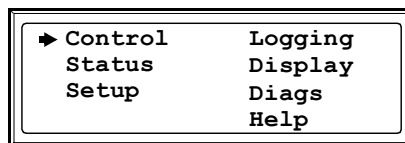


Main Menu

Control functions

From the Control screen on the Main Menu, you can select the following functions:

- Switch Load OFF/ON
- Switch the UPS into Bypass/out of Bypass



Main Menu



WARNING!

Disconnecting the UPS output to the load, does NOT de-energize the UPS! Always follow the *Total-Power-OFF* procedure if you need to de-energize the UPS in emergency situations!

Switch load OFF (disconnect the UPS output to the load equipment):

- From the Main Menu, select *Control* and press ENTER
- Use UP/DOWN key to navigate to *Turn Load Off*, and press ENTER
- Select *YES, Turn Load Off*

Switch load ON:

- From the Main Menu, select *Control* and press ENTER
- Use UP/DOWN key to navigate to *Turn Load On*, and press ENTER
- Select *YES, Turn Load On*

Switch into bypass:

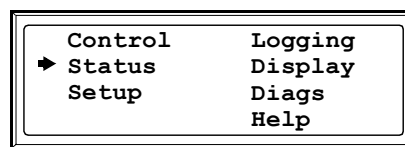
- From the Main Menu, select *Control* and press ENTER
- Use UP/DOWN key to navigate to *UPS into Bypass* and press ENTER
- Use UP/DOWN key to navigate to *YES, UPS into bypass*, and press ENTER

Switch out of bypass:

- From the Main Menu, select *Control* and press ENTER
- Select *UPS out of Bypass* and press ENTER
- Use UP/DOWN key to navigate to *YES, UPS out of Byp*, and press ENTER

Status views

Select *Status* on the Main Menu to view the status on the following parameters



Main Menu

Voltage on all phases.

Utility voltage (V), bypass voltage (V), and output voltage (V) for each phase.

Current on all phases.

Utility current (A), bypass current (A), and output current (A) for each phase.

kVA and kW.

Apparent power (kVA) and real power (kW) generated by the UPS to the load.

Frequencies.

Utility frequency, bypass frequency and output frequency in Hertz (Hz).

Load and batteries.

Load: Percentage of the load in relation to the total UPS capacity.

Bat Voltage: shows either the positive or negative half of the battery voltage (the lower value of the two will appear).

Bat Cap: Percentage charge on the batteries in relation to the total battery capacity.

Runtime: The predicted runtime at the current load.

Batteries.

Bat AmpHr: Battery capacity, including both external and internal batteries.

UPS Temp: The highest external battery temperature.

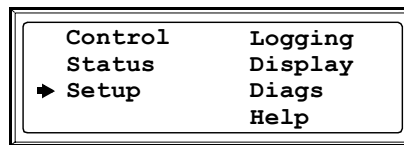
Alarm thresholds.

Load: An alarm will be set when the load is above the threshold level.

Runtime: An alarm will be set when the runtime is below the threshold level.

Clock set-up

From the *Setup* screen on the Main Menu, you can change the date and the clock setting. From the *Settings* screen, select *Clock*, and press ENTER. A date and a time line will appear.



Main Menu

Time.

The clock function is used to time-stamp events in the event log. To avoid inaccuracies, change the clock-setting at e.g. daylight-saving time.

Date

- To change the date, press ENTER (the day field will become active). Press the UP/DOWN arrow to select the desired date.
- To change the *month* and the *year*, follow the same procedures.
- Press ENTER to confirm the new settings, or ESC to cancel.

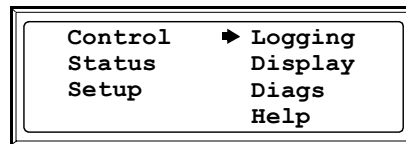
Time

- To change the time, press ENTER (the *hour* field will become active). Press the UP/DOWN arrow to select the desired time.
- Follow the same procedure to change the *minute* and the *second* fields.
- Press ENTER to save, or ESC to cancel.

Press ESC to return to the Main Menu.

Logging

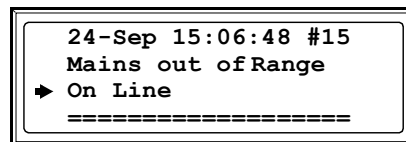
From the logging screen on the Main Menu, you can view the 100 most recent UPS log events, and view the logged details of the events, such as date and time of occurrence, and event number.



Main Menu

- From the Main Menu, select *Logging*
- Select *View Log*
- Press ESC to return to Main Menu

Example:



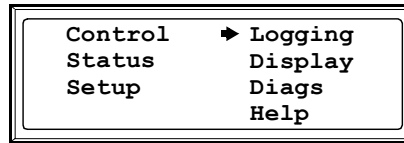
Logging Screen (example)

The top line indicates date, time and event number.

Lines 2, 3 and 4 are part of the event list. To view the entire list, use UP/DOWN arrows to navigate. For a detailed description of a particular event, position the arrow, and press ENTER.

View Statistics (submenu under Logging).

From the Logging screen on the Main Menu, you can view the statistics on operation mode changes, inverter time, duration of battery operation.



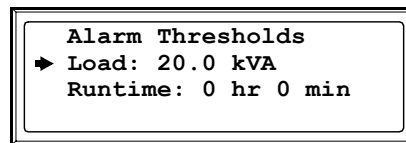
Main Menu

- From the Main Menu, select *Logging*
- Select *View Statistics*
- Press ESC to return to Main Menu

Alarm threshold

If the load level exceeds the preprogrammed threshold, the UPS will display a warning.

Example:



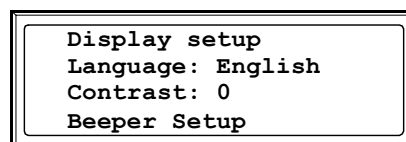
Alarm Threshold Screen

To change the Alarm Thresholds,

- Select *Setup* from the Main Menu
- Select *Alarms* from the Setup Menu
- Press ESC to return to the Main Menu

Display setup

From the *Display setup* screen, you can select your display *Language*, *Contrast* and *Beeper* functions.



Display Setup Menu

Language selection.

From the Main Menu, select *Display Setup*.

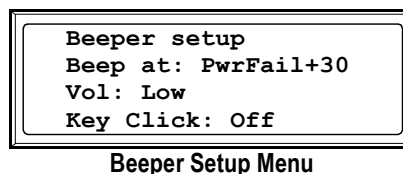
To change the language, select *Language*, and press ENTER. The *Language* line is now active. Use the UP/DOWN arrows to select the desired language. Press ENTER to confirm your selection.

Contrast setting.

From the *Display Setup* Menu, select *Contrast*.

To change the contrast, select *Contrast*, and press ENTER. Use the UP/DOWN arrows to select the contrast level - the lower the number, the darker the contrast. Select ENTER to confirm the setting.

Beeper setup.



From the *Beeper Setup* Menu, select *Beeper Setup*.

To change the beeper setup, select *Beep at* and press ENTER. You now have the following options:

- **Never:** If you select this setting, the Beeper will be active at internal UPS errors only.
- **PwrFail+30:** If you select this setting, the Beeper will be active at Internal UPS errors **and** at main or bypass errors. The Beeper will only sound if the fault has been present for more than 30 seconds.
- **PwrFail:** If you select this setting, the Beeper will be active at Internal UPS errors **and** at main or bypass errors. The Beeper will sound immediately the error is occurring.
- **Low Batt:** If you select this setting, the Beeper will be active at internal UPS errors **and** at main or bypass errors **and** at power failures **and** at low battery level (if the UPS runs in battery operation). Press ENTER to confirm your setting, or ESC to cancel.

Vol:

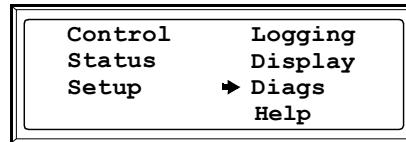
The default setting is *low*. This setting can be changed to *medium*, *high*, or *Off*. Press ENTER to confirm your setting, or ESC to cancel.

Key Click:

The default Key Click function is set to *Off*. Select *On* if you want to change this setting to *On*. Press ENTER to confirm your setting, or ESC to cancel. Press ESC to return to previous screen.

Diagnosics screen

From the *Diags* screen on the Main Menu, you can view the information given on failures for use in troubleshooting.



Main Menu

- From the Main Menu, select *Diags*, and press ENTER
- Use UP/DOWN arrow to select *Fault and Diagnostics* and press ENTER



NOTE!

For more details on Fault and Diagnostics screens, see the *Troubleshooting* section.

Display Messages/Troubleshooting

This section lists the status and alarm messages that the UPS might display. The messages are listed in alphabetical order, and a suggested corrective action is listed with each alarm message to help you troubleshoot problems.

Display messages

Display Message	Meaning	Corrective Action
Automatic Self Test Started.	The UPS has started pre-programmed battery test.	No corrective action is necessary.
Batt Temperature Exceeded Upper Limit.	The temperature of one or more battery units has exceeded the system specifications.	Contact APC Customer Support. See rear cover.
Battery over-voltage warning.	The battery voltage is too high and the charger has been deactivated.	Contact APC Customer Support. See back cover.
Bypass Not Available Input Freq/Volt Out Of Range.	The frequency or voltage is out of acceptable range for bypass. This message occurs when the UPS is online, and indicates that the bypass mode may not be available if required.	Correct the input voltage to provide an acceptable voltage or frequency.
Discharged Battery.	The UPS is in battery operation and the battery charge is low. Note: Runtime is limited in duration.	No corrective action is necessary. Shut down the system and the load equipment or restore incoming voltage.
Emergency PSU Fault.	The redundant Emergency Power Supply Unit (PSU) is not working. The UPS will continue to work normally, but the PSU should be replaced.	Contact APC Customer Support. See backcover.
EPO Activated.	The Emergency Power Off switch has been activated.	Deactivate the Emergency Power Off switch.
Fan fault.	A fan has failed.	Contact APC Customer Support. See back cover.
Int. Mech. Bypass Switch Closed.	The internal mechanical switchgear is closed.	No corrective action necessary. The UPS is in internal mechanical bypass operation.
Int. Mech. Bypass Switch Open.	The internal mechanical switchgear is open.	No corrective action is necessary.

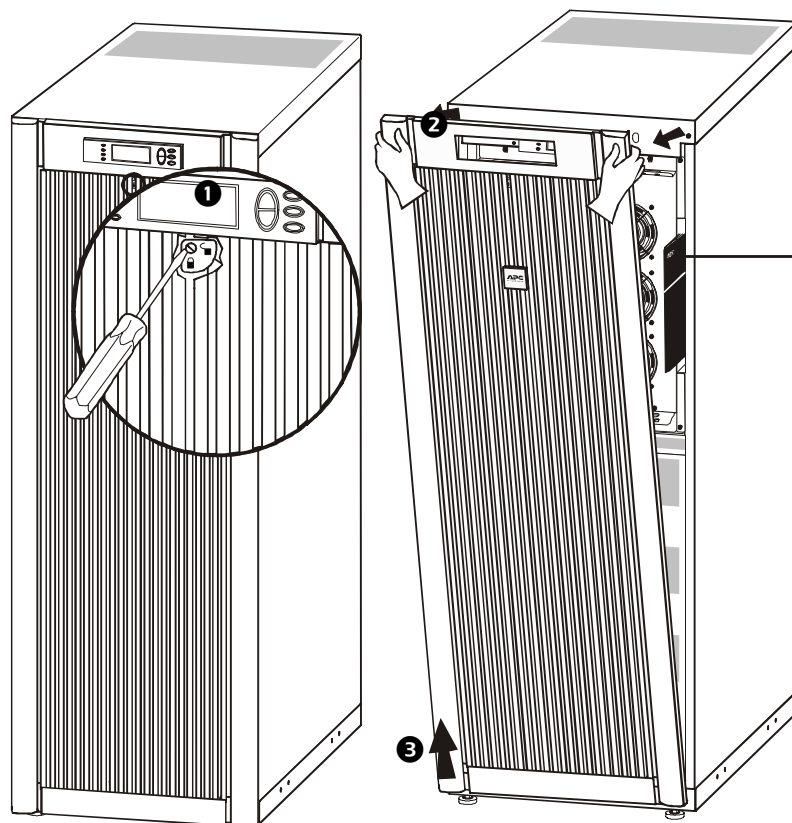
Display Message	Meaning	Corrective Action
Low-Battery.	The UPS is in battery operation and the battery charge is low. Note: Runtime is limited in duration.	Shut down the system and the load equipment or restore incoming voltage.
Load Is No Longer Above Alarm Threshold.	The load previously exceeded the alarm threshold and the situation has been corrected either because the load decreased or the threshold was increased.	No is corrective action necessary.
Load Power Is Above Alarm Limit.	The load has exceeded the user-specified load alarm threshold.	Option 1: Use the display interface to raise the alarm threshold. Option 2: Reduce the load.
Mains Not Available. Input Freq/Volt Out of Range.	The frequency or voltage is out of acceptable range for normal operation.	Correct the input voltage to provide acceptable voltage or frequency.
Min Runtime Restored.	The system runtime dropped below the configured minimum and has been restored. Additional Battery Modules were installed, the existing Battery Modules were recharged, the load was reduced, or the threshold was decreased.	No corrective action is necessary.
No Batteries Are Connected.	No battery power is available.	Check that batteries are inserted properly.
Number of Battery Modules Decreased.	One or more battery modules were removed.	No corrective action is necessary.
Number of Battery Modules Increased.	One or more battery modules were added.	No corrective action is necessary.
Replace Batt(s).	One or more Battery Modules need replacement (only applicable with internal batteries).	Refer to the Module Replacement section for procedures.
Runtime Is Below Alarm Threshold.	The predicted runtime is lower than the user-specified minimum runtime alarm threshold. Either the battery capacity has decreased, or the load has increased.	Option 1: Allow the battery modules to recharge. Option 2: If possible, increase the number of battery modules. Option 3: Reduce the load. Option 4: Decrease the alarm threshold. Contact APC Customer Support. See back cover.
Site Wiring Fault.	Wrong phase rotation on the input side. The UPS will continue to supply conditioned power, but bypass is unavailable.	An electrician should check that the UPS has been wired properly.

Display Message	Meaning	Corrective Action
Shutdown Due To Low Battery.	The UPS was in Battery Operation and shut down the load when no more battery power was available.	No corrective action necessary. Note: If the problem reoccurs, consider increasing the battery capacity.
Static Bypass Switch Fault.	The Static Bypass Switch has failed.	Contact APC Customer Support. See back cover.
System Failure Detected by Surveillance.	The system has detected an internal error.	Check for other alarms and contact APC customer support if the problem persists.
System Start Up Configuration Failed.	System configuration error. Unable to determine system voltage and/or Enclosure size.	Check for other alarms and contact APC customer support if the problem persists.
System Not Synchronized to Bypass.	the system cannot synchronize to bypass. Mode may not be available.	Option 1: Decrease the input frequency sensitivity. Contact APC Customer Support (see rear cover). Option 2: Correct the bypass input voltage to provide acceptable voltage on frequency.
UPS In Bypass Due To Fault.	The UPS has transferred to Bypass Mode because a fault has occurred.	Contact APC Customer Support (see back cover).
UPS In Bypass Due To Overload.	The load exceeded the power capacity. The UPS has switched to Bypass Mode.	Decrease the load.
UPS Is Overloaded.	The load exceeded the system power capacity.	Option 1: Decrease the load. Option 2: Check the load distribution on the 3 phases via the display. If the load is unevenly distributed, adjust the load distribution.
Weak Batt(s) Detected. Reduced Runtime.	One or more weak batteries detected.	Replace the weak batteries.
XR Battery Breaker Open, or Fuse Blown.	The external DC disconnect switch tripped. Battery power is not available or the runtime is lower than expected.	Activate the external DC Disconnect Switch or replace the blown fuse in XR Enclosure (only applicable if your installation includes an XR Enclosure).

If a problem persists, note UPS model #, serial #, and purchase date before calling APC Customer Support (the type label is located on rear cover, bottom section).

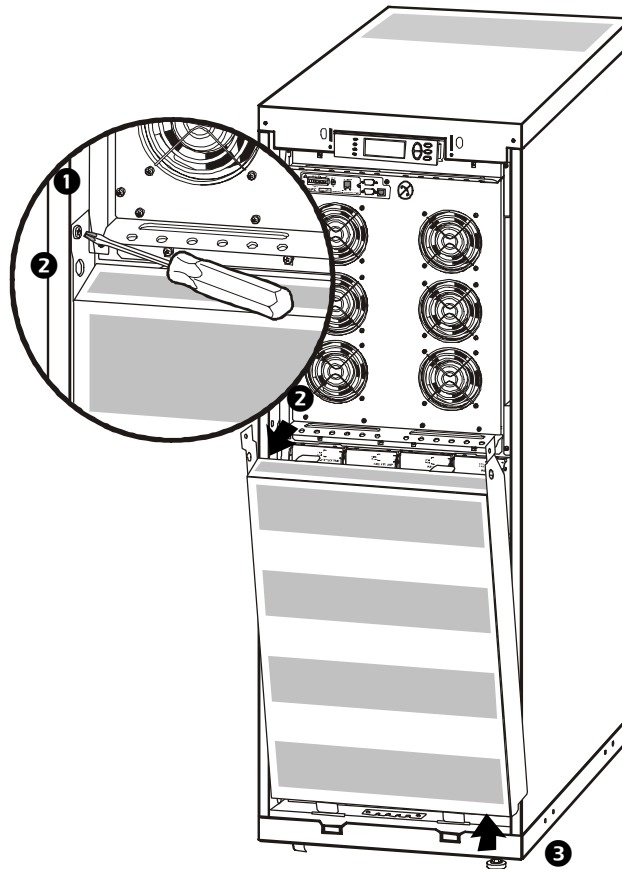
Front Panel and Battery Compartment Cover Removal/Installation

Front Panel removal



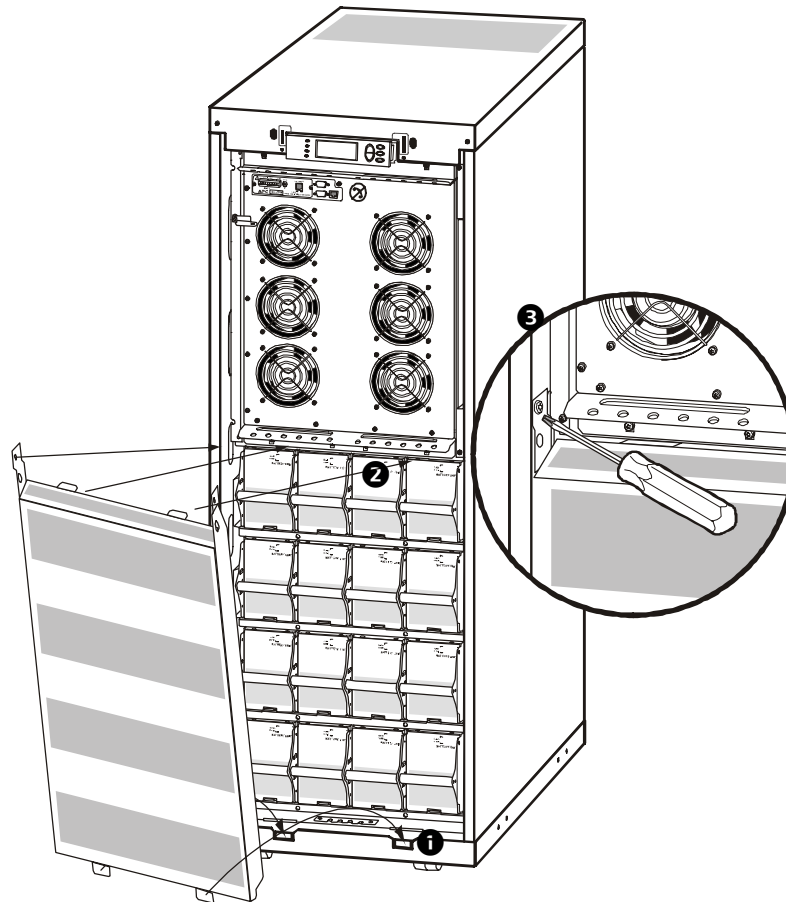
- ❶ Turn screw clockwise to unlocked position.
- ❷ Pull top of Front Panel free of UPS.
- ❸ Lift the Front Panel free of the two slots at the bottom of the Enclosure.

Remove Battery Compartment Cover



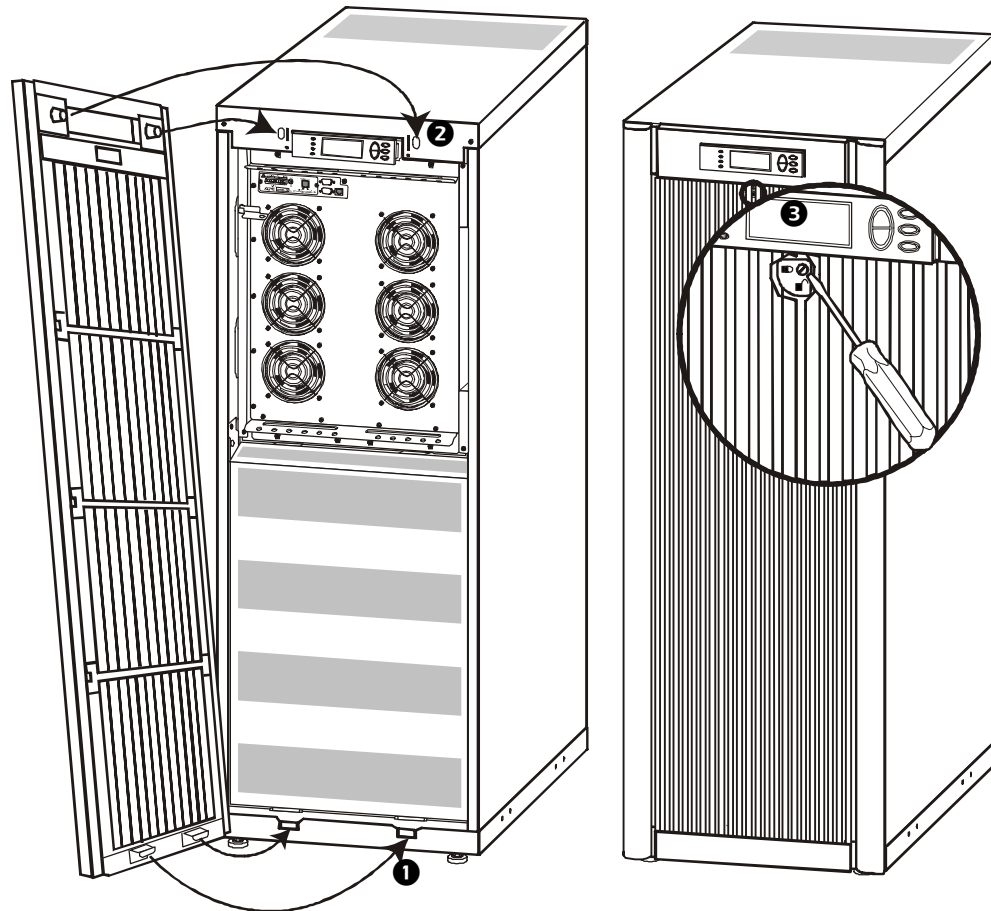
- ➊ Unscrew 2 M6 screws (1 in each side of UPS).
- ➋ Pull top free of Enclosure.
- ➌ Lift Battery Compartment Cover free of the 2 slots.

Battery Compartment Cover installation



- ❶ Place protrusions in slots at the bottom of the UPS.
- ❷ Place top protrusions in slots where shown.
- ❸ Attach with M6 screws to inner side panels in both sides.

Front Panel installation



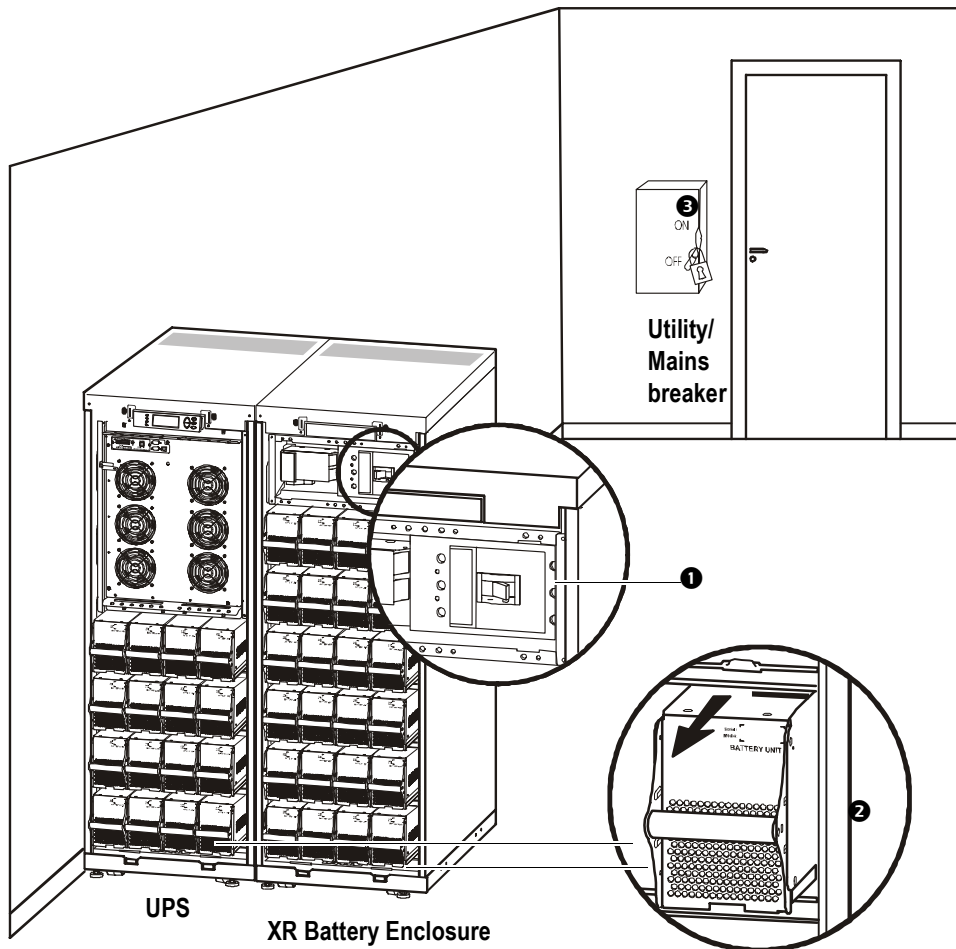
- ❶ Insert the two protrusions at the bottom of the Front Panel into the two slots at the bottom of the Enclosure.
- ❷ Push the Front Panel into place.
- ❸ To secure the Front Panel, turn the screw counterclockwise to locked position.

Total-Power-Off Procedure



WARNING!

Risk of electric shock – parts inside the UPS and XR Battery Enclosure are energized from the battery supply even when the AC power is disconnected. Before electrical installation begins, follow the Total-Power-Off procedure to completely de-energize the system.



- 1 Set the DC disconnect switch on the XR Enclosure (if available) to the OFF position.
- 2 Remove all batteries from the system, or, alternatively, pull out all batteries to the red disconnect line shown on the battery. To ensure sufficient stability, do not pull batteries out beyond the red disconnect line unless completely removing them from the Enclosure.
- 3 Set the utility breaker to the OFF or LOCKED-OUT position. If the UPS has dual mains supply, set both supplies to the OFF or LOCKED-OUT position.



WARNING!

Correct lock-out procedures at utility breaker must be followed. If necessary, install a padlock.

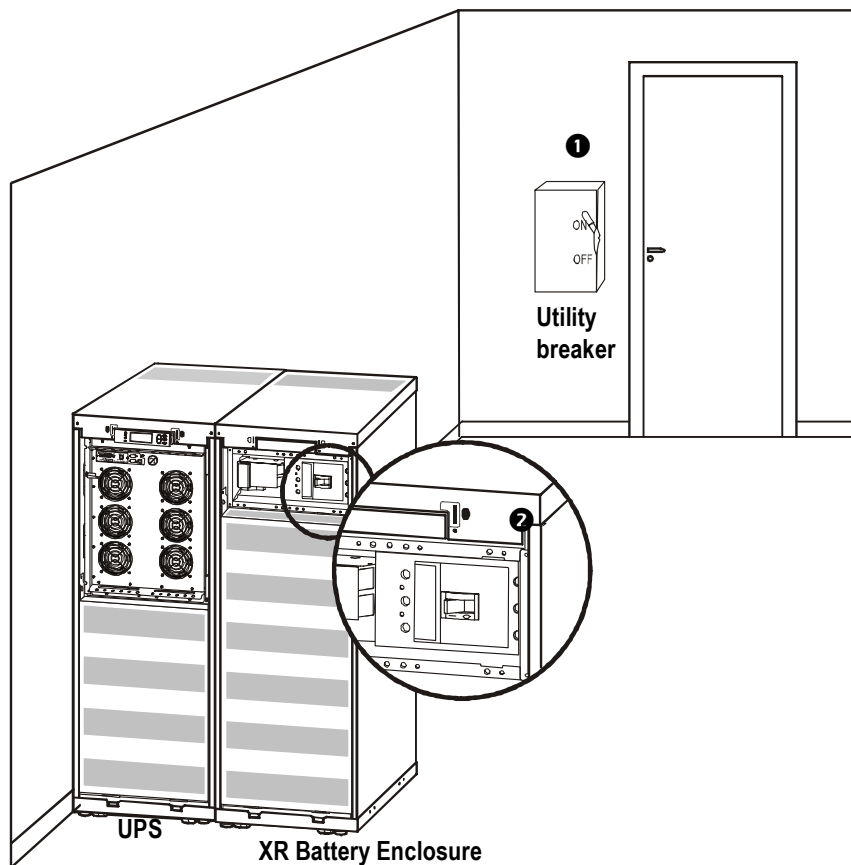
Restart Procedure

Power application



WARNING!

Only trained personnel familiar with the construction and the equipment may carry out the Start-Up procedure.



- 1 Set the utility breaker to the ON position.
- 2 If your installation includes an XR Battery Enclosure with a DC disconnect switch, set the DC disconnect switch to the ON position.



NOTE!

Wait approximately 30 seconds for the system to boot up and carry out self test.

After system boot-up, the display will automatically prompt you on how to confirm/select voltage and frequency as shown in the following.

Voltage confirmation



SEE!

Display introduction under *The Display*.

At the initial start-up, the display will prompt you through the following screens:

```
Confirm Voltage
Use 208V
Yes, use 208V
No, select another
```

- When the *Confirm Voltage* prompt appears on the screen, select desired voltage and press ENTER.

```
Apply load?
Yes
No
```

- When the prompt *Apply load* appears, select Yes if you want the UPS to provide a load output now. (If you do not want a UPS load output at this point, select *No*).

```
Chrg xxx% | | | | | | | | | | | | | | | | | | | | | |
Load xxx% | | | | | | | | | | | | | | | | | | | | | |
xxx Vin xxxVout xxHz
Runtime: xxhr xxmin
```

Status screen

LOAD ON LED is now lit, and the display will show the Confirm Menu Screen.



NOTE!

The UPS is now ready to support the load.



NOTE!

Auto-detection on frequency – if problem occurs call APC Customer Support.

Mechanical Bypass



Start-up is included with the UPS, and the start-up procedure described here is only applicable if the UPS requires a subsequent start-up.

Mechanical Bypass Lever

For increased availability, the UPS is equipped with an internal mechanical bypass system providing mains power directly to the output, bypassing all UPS electronics.



CAUTION!

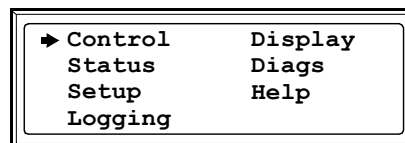
The load is not protected by the UPS when the internal mechanical bypass system is active, and, the power is not conditioned.

Turn into mechanical bypass



NOTE!

If the UPS is running and controllable through the display, carry out steps 1 through 6. If not, go directly to step 4.



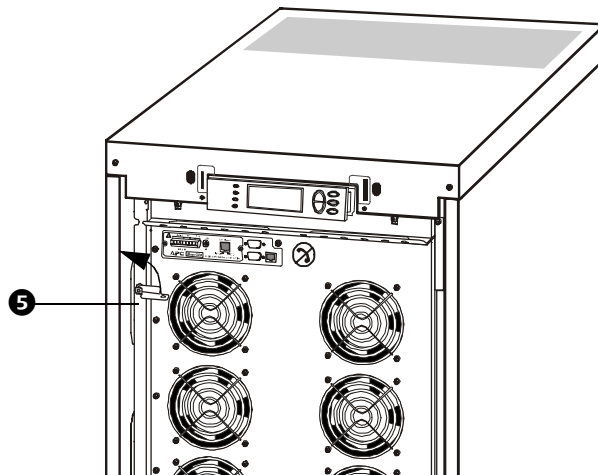
Main Menu

- 1 From the Main Menu, select *Control* and press ENTER
- 2 Use UP/DOWN key to navigate to *UPS into Bypass* and press ENTER
- 3 Use UP/DOWN key to navigate to *YES, confirm UPS into bypass*, and press ENTER
- 4 Remove UPS Front Panel



SEE!

“Front Panel removal” on page 18.



- 5 Turn the Mechanical Bypass Lever upwards to activate the internal mechanical bypass switch.
- 6 Reinstall the Front Panel.



SEE!

Front Panel “” on page 19.

The load will now be supported directly by utility power.

Switch into normal operation (from mechanical bypass operation)



CAUTION!

Never attempt to switch back the UPS into normal operation till you have verified that there are no internal UPS faults. Call APC Customer Support (see rear cover of this manual) before switching back to normal operation.

- 1 Verify the presence of utility supply.
- 2 UPS will start up and perform self test (see Restart Procedure).
- 3 Ensure no error messages appear in the display and select “YES” when “Apply load” appears in the display. The UPS will automatically turn into static bypass.
- 4 Verify UPS is in static bypass. Green and yellow LED are ON.
- 5 Turn the Mechanical Bypass Lever downwards into horizontal position.
- 6 Verify UPS is in normal operation. Yellow LED turns OFF and green LED remains ON.

Network Management Card with Environmental Monitor

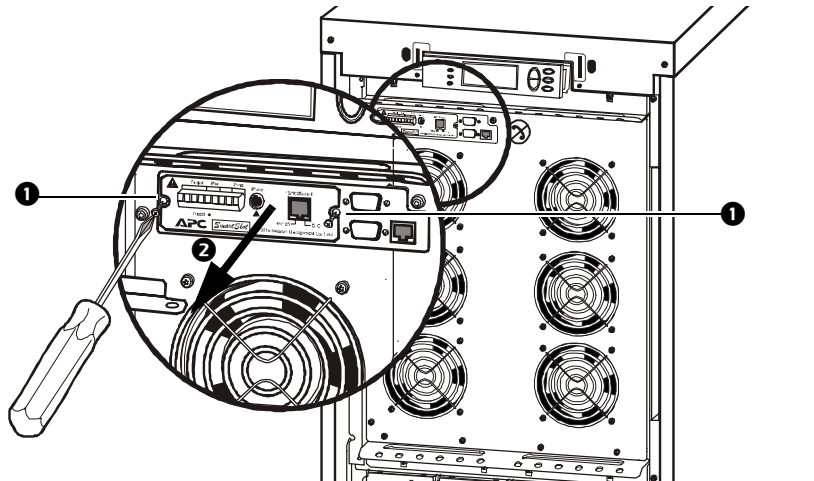
The APC Network Management Card with Environmental Monitor (AP9619) is installed in the UPS as default. It is used for remote system control and monitoring, e-mail notifications etc.



SEE ALSO!

For configuration and use, refer to the separate user manual - *Network Management Card with Environmental Monitor* - shipped with the UPS.

Network Management Card replacement



- 1 Loosen the 2 torx screws (one each side of the card).
- 2 Carefully pull out the card.

Reversed procedures for installation.

Battery Replacement

General safety prior to module replacement



WARNING!

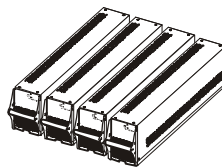
- Only trained personnel familiar with the operation of the equipment, and the electrical and mechanical hazards involved, may install and remove system components.
- The UPS and Battery Enclosure contain an internal energy source. Hazardous voltage may be present even when disconnected from the power source. Follow Total Power Off Procedure to completely de-energize the system.
- Never replace batteries when the UPS is running in battery mode!
- Risk of Energy Hazard, 96 V, 7.2 Ampere-hour battery. Before replacing batteries, remove all conductive jewelry such as chains, watches, and rings. High energy through conductive materials could cause severe burns.
- Batteries do not contain serviceable parts. Do not open.
- Do not open or mutilate batteries. Released material is harmful to the skin and eyes. It may be toxic. Do not dispose of batteries in a fire, as they may explode.
- To ensure continuous battery back-up, only replace one Battery Module at a time.
- For configurations that include customer-supplied external batteries, refer to manufacturer's battery installation and maintenance instructions.



Two people to lift a component weighing between 18 – 32 kg.

Battery Module

One Battery Module consists of 4 Battery Units (max. 2 Battery Modules shipped in the Enclosures).



4 x 23kg

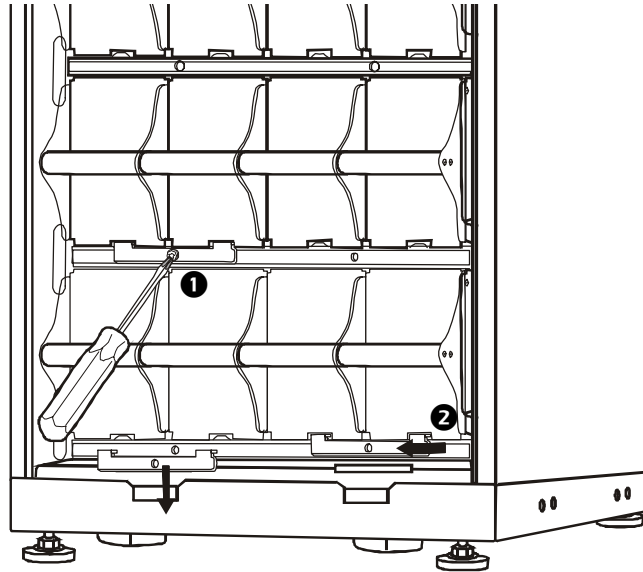


SEE!

“Front Panel removal” on page 18 and “Remove Battery Compartment Cover” on page 19.

Removal and installation of Battery Lock (if applicable)

If your system is equipped with Battery Lock, follow the below procedure to remove the Battery Lock.



- ❶ Remove the M3 screw attaching the Battery Lock to the shelf.
- ❷ Push the Battery Lock to the left, push it upwards and remove.

Use reversed procedures for installation of Battery Lock



NOTE!

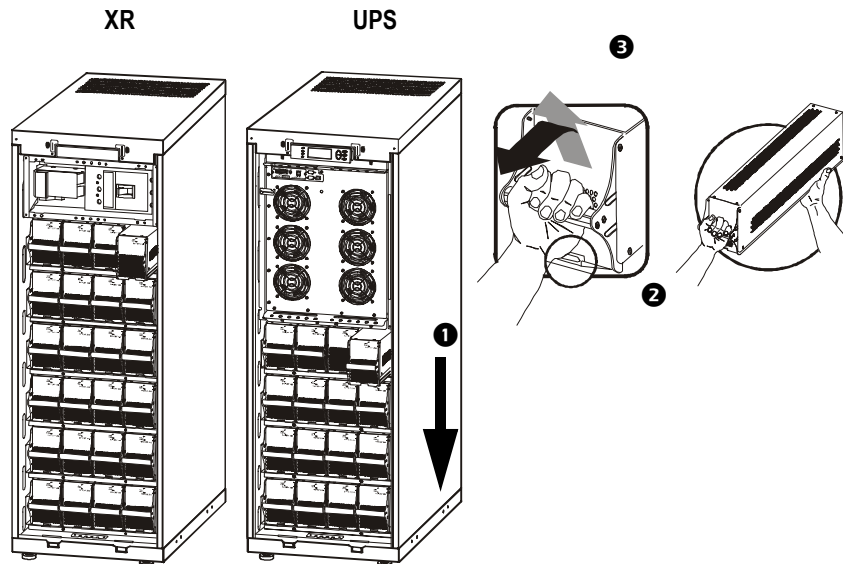
For safety reasons APC recommends to attach battery locks.

Battery Module removal



Two people to lift a component weighing between 18 – 32 kg.

Follow the below procedures if you need to change or add a Battery Module, e.g. if you receive a display message reporting a bad battery, or if you need to add batteries for increased runtime:



- 1 When removing Battery Modules, start from the highest level and work down.
- 2 Holding the battery handle, gently push the battery unit upwards and pull it halfway out of the Enclosure. A lock mechanism prevents it from being pulled all the way out.
- 3 To release the battery from the lock mechanism, one person gently pushes the battery upwards again and pulls it out, while the other person supports the battery.

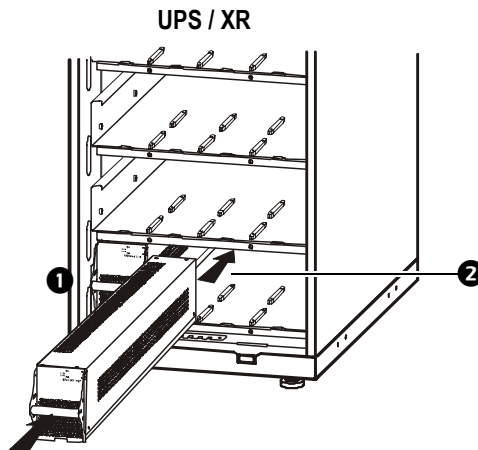
How to install a Battery Module

If additional batteries are needed for extra run-time, or if you install battery replacement modules etc., follow the below procedure:



CAUTION!

Wait until you are ready to power up the system before installing Battery Modules in the UPS. Failure to do so can result in a deep discharge of the batteries and cause permanent damage (the time from the battery installation time till the UPS is powered up should not exceed 72 hours or 3 days).



- ❶ Install the Battery Modules in the lowest available bay (4 across in 523mm UPS versions, 2 across in 352mm UPS versions).
- ❷ Position the Battery Unit to slide in between the grooves and push completely into the UPS to ensure connection.



NOTE!

If a problem is reported, ensure that the modules in question are correctly installed. If the problem persists, refer to the *Troubleshooting* section of this guide.



NOTE!

Allow for a 24-hour recharging period of the batteries after system start-up / battery replacement for battery monitoring data to become fully reliable.

How to Obtain Replacement Parts

To obtain a replacement part, contact APC Customer Support (see rear cover).

1. In the event of a Battery Module failure, the display may show additional “fault list” screens. Press any key to scroll through these fault lists, record the information, and relay it to the APC representative.
2. If possible, call APC Customer Support from a telephone that is within reach of the UPS display interface so that you can gather and report additional information to the APC representative.
3. Be ready to provide a detailed description of the problem. Our representative will help you solve the problem over the telephone, if possible, or will give you a return material authorization (RMA) number. If a module is returned to APC, this RMA number must be clearly printed on the outside of the package.
4. If the UPS is within the warranty period, or covered by an APC On-Site Service contract, there will be no charge for repair labor, parts and travel expenses. Please refer to the Limited Factory Warranty section. If it is not within the warranty period, there will be a charge for repair.



SEE!

Limited Factory Warranty section for more information.

5. If the UPS is covered by an APC service contract, have that information available and give it to the representative.

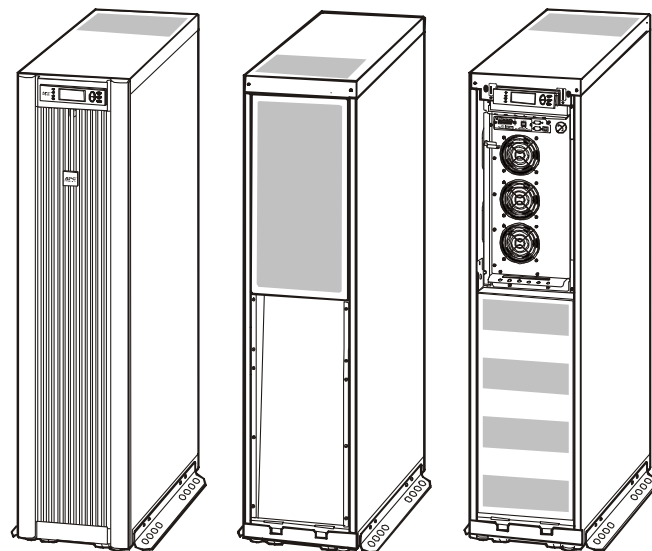
Orderable parts

Description	APC SKU No.
Smart-UPS® VT XR Battery Enclosure with DC breaker, DC fuses and 2 Battery Modules (expandable to 6).	SUVTJBXR2B6S
Smart-UPS® VT XR Battery Enclosure with DC breaker, DC fuses and 6 Battery Modules.	SUVTJBXR6B6S
Battery Module.	SYBTJ4
Network Management Card with Environmental Monitor.	AP9619

Appendix

UPS Components and Options

352mm Enclosures

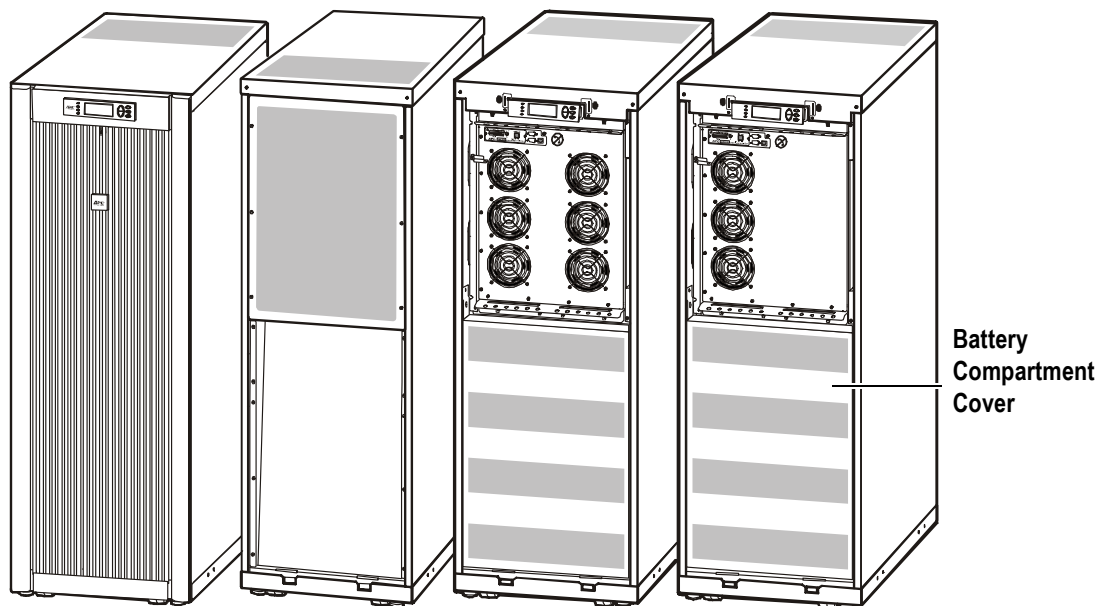


Front

Rear

Front view without front panel 10-15A

523mm Enclosures



Front

Rear

Front view without front panel 10-15kVA




Front view without front panel 20-30kVA

Battery Compartment Cover

Serial number

The serial number is available on the type label on the rear side of the UPS.

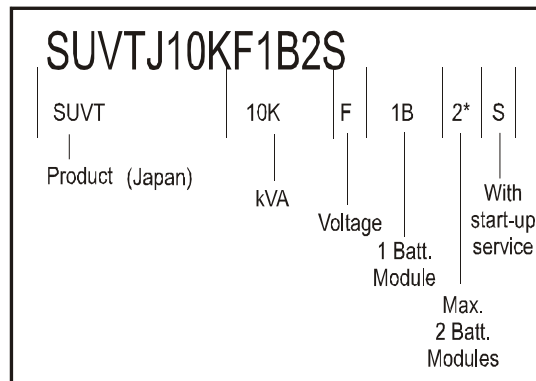
Type label

 テクニカルサポート: 03-5434-2021 ウェブサイト: http://www.apc.com/support/contact/index.cfm							
シリアル番号	型番	製品名	バッテリー容量 @± 192V DC	有効電力	定格入力電流	定格出力電流	直流電流
SUVTJF10KB2F	SUVTJ10KF1B2S	APC Smart-UPS VT Japan 10kVA 200/208V w/1 Batt. Module Exp. to 2	7.2Ah	10kVA/8kW	28.2/27.1A 200/208V	28.9/27.8A 200/208V	28.9A DC
	SUVTJ10KF2B2S	APC Smart-UPS VT Japan 10kVA 200/208V w/2 Batt. Modules	14.4Ah				
SUVTJF10KB4F	SUVTJ10KF1B4S	APC Smart-UPS VT Japan 10kVA 200/208V w/1 Batt. Module Exp. to 4	7.2Ah				
	SUVTJ10KF2B4S	APC Smart-UPS VT Japan 10kVA 200/208V w/2 Batt. Modules Exp. to 4	14.4Ah				
	SUVTJ10KF3B4S	APC Smart-UPS VT Japan 10kVA 200/208V w/3 Batt. Modules Exp. to 4	21.6Ah				
	SUVTJ10KF4B4S	APC Smart-UPS VT Japan 10kVA 200/208V w/4 Batt. Modules	28.8Ah				
SUVTJF15KB2F	SUVTJ15KF2B2S	APC Smart-UPS VT Japan 15kVA 200/208V w/2 Batt. Modules	14.4Ah	15kVA/12kW	42.3/40.6A 200/208V	43.3/41.6A 200/208V	43.3A DC
SUVTJF15KB4F	SUVTJ15KF2B4S	APC Smart-UPS VT Japan 15kVA 200/208V w/2 Batt. Modules Exp. to 4	14.4Ah				
	SUVTJ15KF3B4S	APC Smart-UPS VT Japan 15kVA 200/208V w/3 Batt. Modules Exp. to 4	21.6Ah				
	SUVTJ15KF4B4S	APC Smart-UPS VT Japan 15kVA 200/208V w/4 Batt. Modules	28.8Ah				
SUVTJF20KB4F	SUVTJ20KF2B4S	APC Smart-UPS VT Japan 20kVA 200/208V w/2 Batt. Modules Exp. to 4	14.4Ah	20kVA/16kW	56.4/54.2A 200/208V	57.7/55.5A 200/208V	57.7A DC
	SUVTJ20KF3B4S	APC Smart-UPS VT Japan 20kVA 200/208V w/3 Batt. Modules Exp. to 4	21.6Ah				
	SUVTJ20KF4B4S	APC Smart-UPS VT Japan 20kVA 200/208V w/4 Batt. Modules	28.8Ah				
SUVTJF30KB4F	SUVTJ30KF3B4S	APC Smart-UPS VT Japan 30kVA 200/208V w/3 Batt. Modules Exp. to 4	21.6Ah	30kVA/24kW	84.5/81.3A 200/208V	86.6/83.3A 200/208V	86.6A DC
	SUVTJ30KF4B4S	APC Smart-UPS VT Japan 30kVA 200/208V w/4 Batt. Modules	28.8Ah				
定格電圧と接続			バッテリー			 据付要領書に従って商用電源に 接続してください。	
AC入力	AC出力	DC入力	取付日	バッテリー交換日 1	バッテリー交換日 2		
200/208V 3W+GND 50/60Hz	200/208V 3W+GND 50/60Hz	+/- 192V				 背面カバーはUPS本体に必ず 取り付けてください。	
208Y/120V 4W+GND 50/60Hz	208Y/120V 4W+GND 50/60Hz						
200Y/115V 4W+GND 50/60Hz	200Y/115V 4W+GND 50/60Hz 200/208V 3W+GND 50/60Hz						

System sizes, part nos., number of Battery Modules and weights

Height (identical for all Enclosure sizes)		1490mm		
Depth (identical for all Enclosure sizes)		838mm		
System Size/ Enclosure width		Installed weight		Installed weight
	APC Part No.	kg	APC Part No.	kg
10kVA 13.85in/352mm	SUVTJ10KF1B2S	305.2	SUVTJ10KF2B2S	401.2
10kVA 20.59in/523mm	SUVTJ10KF1B4S	342.1	SUVTJ10KF2B4S	438.1
10kVA 20.59in/523mm	SUVTJ10KF3B4S	534.1	SUVTJ10KF4B4S	630.1
15kVA 13.85in/352mm	SUVTJ15KF2B2S	401.2		
15kVA 20.59in/523mm	SUVTJ15KF2B4S	438.1	SUVTJ15KF3B4	534.1
15kVA 20.59in/523mm	SUVTJ15KF4B4S	630.1		
20kVA 20.59in/523mm	SUVTJ20KF2B4S	468.7	SUVTJ20KF3B4S	564.7
20kVA 20.59in/523mm	SUVTJ20KF4B4S	660.7		
30kVA 20.59in/523mm	SUVTJ30KF3B4S	565.7	SUVTJ30KF4B4S	661.7

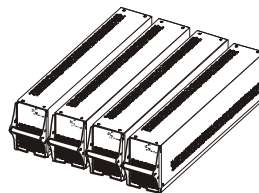
Part number coding



*) 4 = max. 4 Battery Modules

Battery Module

One Battery Module consists of 4 Battery Units (shipping in the UPS Enclosure).



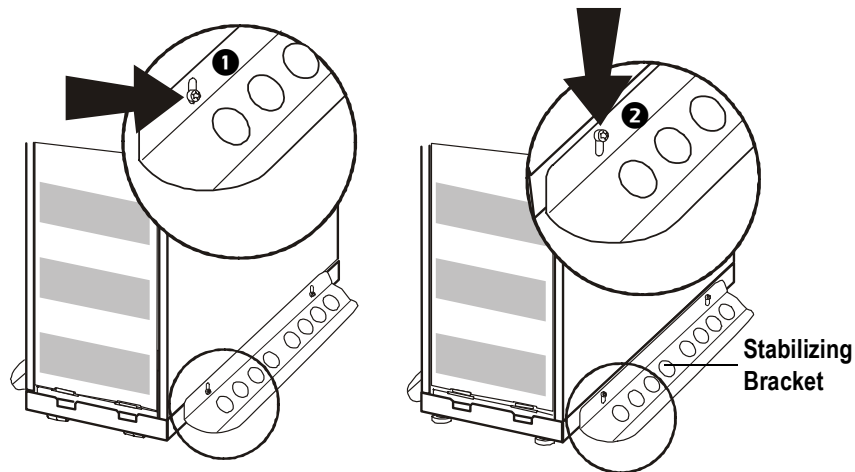
4 x 24kg

Stabilizing Bracket

Always install the Stabilizing Brackets on the 352mm Enclosure (shipped with the UPS) to enhance the stability of the Enclosure.



Attach the Stabilizing Bracket to the UPS Enclosure re-using the screws used to secure the UPS to the pallet during shipment.



If the Enclosure needs to be moved after Stabilizing Brackets have been attached to the Enclosure, the Stabilizing Brackets must be pushed up into their high position.

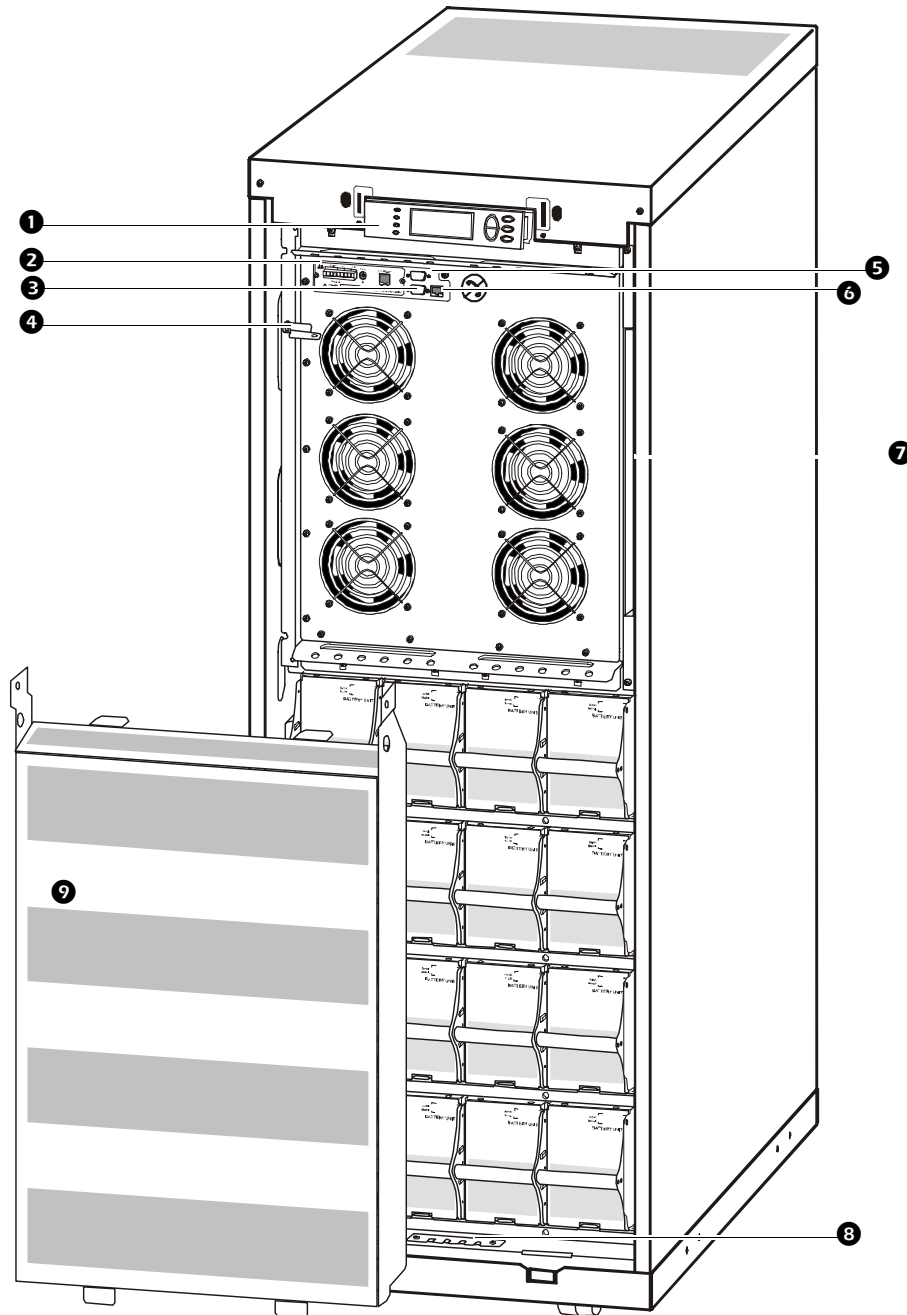
- 1 Loosen the two screws of both Stabilizing Brackets, and push the bracket up into the high position.
- 2 When the Enclosure has reached its new position, push the Bracket into its “down” position again, and tighten the screws.



WARNING!

For stability reasons, do not remove Stabilizing Brackets from 352mm Enclosures.

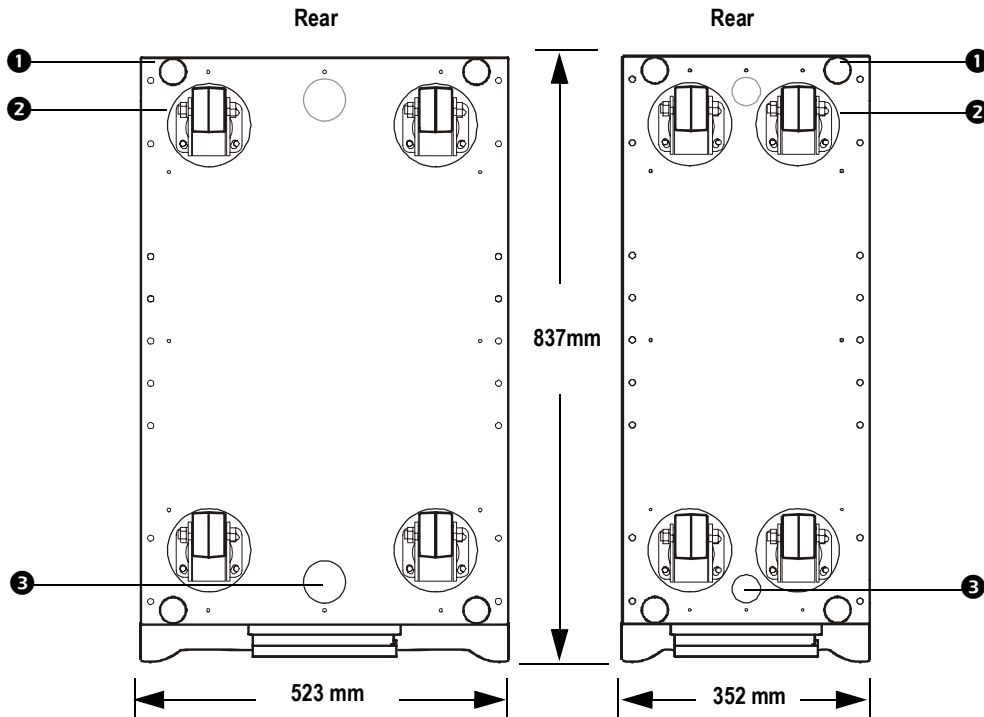
User interface



- ❶ Display: user-control interface used to configure the functionality, monitor the system, set alarm thresholds, and to provide audible and visual alarms.
- ❷ Network Management Card with Environmental Monitor (AP9619): used for remote system control and monitoring, e-mail notifications etc.
- ❸ Computer-interface port for the connection of computers with APC Powerchute® software.
- ❹ Mechanical Bypass Lever: used to bypass the upstream mains power around the UPS to support the load directly = internal mechanical bypass operation.
- ❺ Service port (for APC maintenance personnel only).

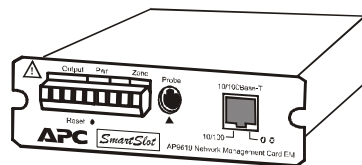
- ⑥ Display port for the connection of display communication cable.
- ⑦ Documentation storage.
- ⑧ Inlet for communication cables.
- ⑨ Battery Compartment Cover.

Foot print



- ① Levelling feet.
- ② Castors.
- ③ Communication cable inlets.

APC Network Management Card AP9619 (installed in UPS) and APC Humidity Sensor (Optional)



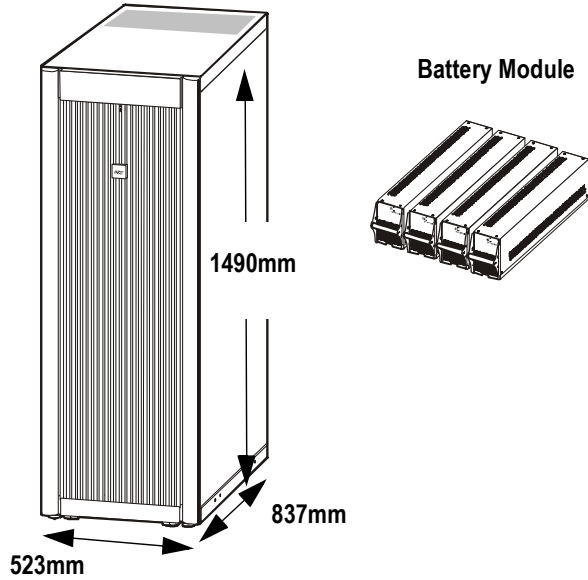
Humidity Sensor



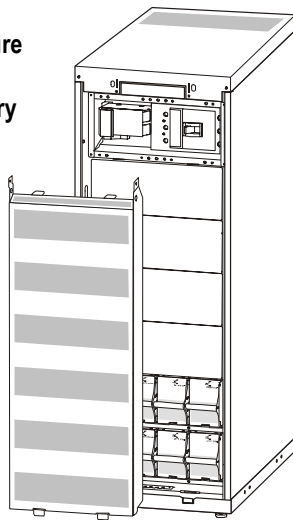
Options

Extended Run Battery Enclosure (XR Battery Enclosure)

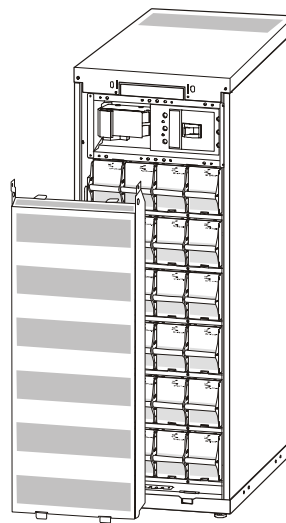
XR Battery Enclosure with Front Panel



XR Battery Enclosure with 2 Battery Modules and Battery Compartment Cover.



XR Battery Enclosure fully loaded with 6 Battery Modules and Battery Compartment Cover.



XR Battery Enclosure weights	
2 Battery Modules	409.5kg
6 Battery Modules	793.5kg

Battery Module weight	
4 units = 1 Battery Module	4x23kg

Part numbers for XR Battery Enclosures

XR Battery Enclosure	
Enclosure with DC breaker, DC fuses and 2 Battery Modules (expandable to 6)	SUVTJBXR2B6S
Enclosure with DC breaker, DC fuses and 6 Battery Modules	SUVTJBXR6B6S

Part number for Battery Module

Battery Module	
Battery Module (4 battery units)	SYBTJ4



APC Worldwide Customer Support

Customer support for this or any other APC product is available at no charge in any of the following ways:

- Visit the APC Web site to access documents in the APC Knowledge Base and to submit customer support requests.
 - **www.apc.com** (Corporate Headquarters)
Connect to localized APC Web sites for specific countries, each of which provides customer support information.
 - **www.apc.com/support/**
Global support searching APC Knowledge Base and using e-support.
- Contact an APC Customer Support center by telephone or e-mail.
 - Regional centers:

Direct InfraStruXure Customer Support Line	(1)(877)537-0607 (toll free)
APC headquarters U.S., Canada	(1)(800)800-4272 (toll free)
Latin America	(1)(401)789-5735 (USA)
Europe, Middle East, Africa	(353)(91)702000 (Ireland)
Japan	(0) 3 5434-2021
Australia, New Zealand, South Pacific area	(61) (2) 9955 9366 (Australia)

- Local, country-specific centers: go to **www.apc.com/support/contact** for contact information.

Contact the APC representative or other distributor from whom you purchased your APC product for information on how to obtain local customer support.

Entire contents copyright 2006 American Power Conversion Corporation. All rights reserved. Reproduction in whole or in part without permission is prohibited. APC, the APC logo, the PowerChute and Smart-UPS VT are trademarks of American Power Conversion Corporation. All other trademarks, product names, and corporate names are the property of their respective owners and are used for informational purposes only.



Free Manuals Download Website

<http://myh66.com>

<http://usermanuals.us>

<http://www.somanuals.com>

<http://www.4manuals.cc>

<http://www.manual-lib.com>

<http://www.404manual.com>

<http://www.luxmanual.com>

<http://aubethermostatmanual.com>

Golf course search by state

<http://golfingnear.com>

Email search by domain

<http://emailbydomain.com>

Auto manuals search

<http://auto.somanuals.com>

TV manuals search

<http://tv.somanuals.com>