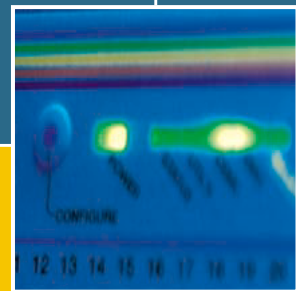
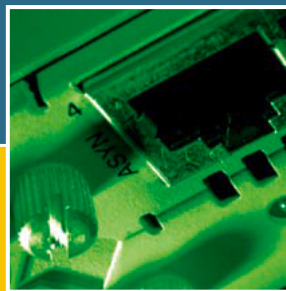
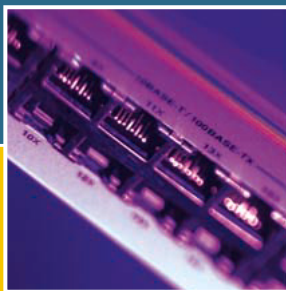
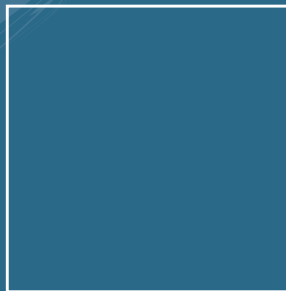


AR450S SECURITY APPLIANCE

QUICK INSTALL GUIDE



AR450S Quick Install Guide
Document Number C613-04045-01 REV A.

Copyright © 2003 Allied Telesyn International, Corp.
19800 North Creek Parkway, Suite 200, Bothell, WA 98011, USA.

All rights reserved. No part of this publication may be reproduced without prior written permission from Allied Telesyn.

Allied Telesyn International, Corp. reserves the right to make changes in specifications and other information contained in this document without prior written notice. The information provided herein is subject to change without notice. In no event shall Allied Telesyn be liable for any incidental, special, indirect, or consequential damages whatsoever, including but not limited to lost profits, arising out of or related to this manual or the information contained herein, even if Allied Telesyn has been advised of, known, or should have known, the possibility of such damages.

All trademarks are the property of their respective owners.

Documentation Roadmap

AR450S Router



AR400 Series Safety and Statutory Information

AR450S Quick Install Guide

AR400 Series User Guide

AR400 Series Software Reference

AR Router Hardware Reference

General Customer Support



Visit www.alliedtelesyn.co.nz for the latest documentation, FAQ, and support information



Printed



Acrobat PDF



Website

Models Covered By This Guide

This Quick Install Guide includes information on the following model:

- AR450S

Quick Install Guide updates can be found at www.alliedtelesyn.co.nz/support/ar400/

Package Contents

The following items are included with each AR450S router. Contact your sales representative if any items are damaged or missing.

- One AR450S router.
- One AC power cord.
- One power cord retaining clip.
- One terminal cable for connecting the router to a terminal or PC.
- Two UTP network cables.
- One rack-mount kit with brackets and screws.
- One *AR450S Router Quick Install Guide*.
- One *Safety and Statutory Information* booklet.
- One AR400 Series Router Documentation and Tools CD-ROM (which includes the complete AR400 Series Document Set and utilities).
- One warranty card.

Selecting a Site

The router should be installed on a level surface such as a desktop or bench. When installing the router, choose a site that:

- Allows adequate airflow around the router and its vents.
- Is free of dust and moisture.
- Will maintain an ambient temperature range of 0 to 40° C (32 to 104° F) and a humidity range of 5 to 95% non-condensing.
- Has a reliable and earthed (grounded) power supply circuit, preferably dedicated and filtered.
- Does not expose cabling to sources of electrical noise, such as radios, transmitters, broadband amplifiers, power lines, electric motors, and fluorescent fixtures.
- Allows easy access to the router's power and cable connections.

Installing the Router



This equipment must be earthed.

Follow these steps to install the router:

1. Read the safety information.

For safety information, see the *Safety and Statutory Information booklet*. A copy of this booklet is supplied with each router, and can also be found on the Documentation and Tools CD-ROM or at www.alliedtelesyn.co.nz/support/ar400/

2. Unpack the router.

Verify the package contents. If any items are damaged or missing, contact your sales representative.

3. Place the router in its operating location.

See the previous Selecting a Site section for guidelines on choosing a suitable location.

4. Check the supply voltage and the router's rated voltage.

AR450S routers are fitted with a universal mains power supply that will function over the range 100-240 VAC and 50-60Hz.



The specific power supply requirements for a particular model are clearly displayed on the rear or underside of the router. If the supply is outside the accepted range for the router, the router may not operate and damage to the router may result.

5. Apply power to the router.

Fit the power cord retaining clip to the AC power inlet on the router's rear panel.

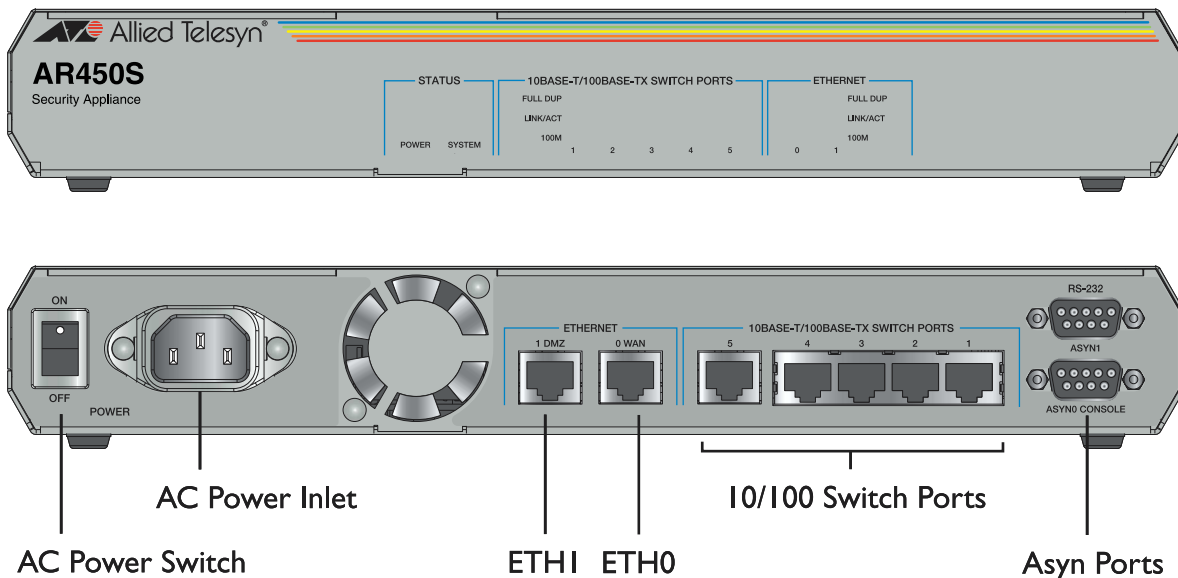
Connect the provided power cord to the AC power inlet and clip it in place. Switch the router's power switch to the ON position. The Power LED will light continuously and the System LED will flash briefly. The Port LEDs may also light briefly.

If the LEDs fail to light, the most likely cause is that the router is not receiving power. Check that

- The power supply outlet's switch (if any), and the router's power switch, are in the ON position
- The power cable is securely plugged in
- The power supply is operational

If the LEDs light incorrectly, refer to the *AR Router Hardware Reference* for troubleshooting information.

Figure 1: Front and rear panels of an AR450S, showing the AC power inlet, power switch, console ports and Ethernet ports, and their associated LEDs.



Configuring the Router

AR450S routers can be configured via the Command Line Interface (CLI) or Graphical User Interface (GUI).

Using the CLI to configure a router:

1. Initiate router start-up.

Using the terminal cable supplied, connect a VT100-compatible terminal, or the COM port of a PC running a terminal emulation program such as Windows Terminal, to the Console RS-232 (ASYN0) port on the router's rear panel.

Set the communication parameters on your terminal or terminal emulation program to:

- Baud rate: 9600
- Data bits: 8
- Parity: None
- Stop bits: 1
- Flow control: Hardware

See the *AR Router Hardware Reference* for more information on configuring emulation software.

2. Log in and set the password.

The log in prompt appears on the terminal or PC. If the log in prompt doesn't appear, press [Enter] two or three times.

When the router boots for the first time it automatically creates an account with manager privileges. The account has the log in name "manager" and the password is "friend". Passwords are case sensitive.

At the log in prompt, enter the log in name and password.

```
Login: manager
Password: friend
```

The router's command prompt appears and you can now configure the router using the command line interface.



Change the password as soon as possible. Leaving the manager account with the default password is a serious security risk. Make sure you remember the new password as there is no way to retrieve it if it is lost.

Use the following command to change the account password:

```
set password
```

To display a list of help topics, enter:

```
help
```

To display help on a specific topic, enter:

```
help topic
```

Alternatively, type a question mark (?) at the end of a partially completed command to see a list of valid options.

See the *AR400 Series Router Software Reference* for more information on router start-up and configuration procedures (including a list of message definitions).

Using the GUI to configure a router:

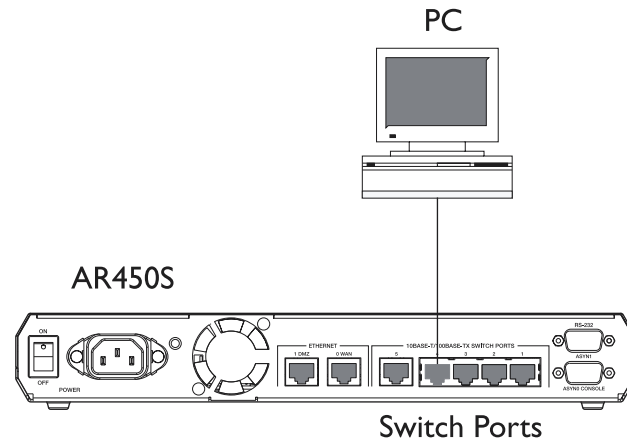
This section describes how to access the GUI via VLAN1, when the PC and the router are in the same subnet, in order to configure the router. The router's five switch ports all belong to VLAN1 by default.

The GUI requires a PC and web browser. Supported browsers are Internet Explorer 5.0 and greater, or Netscape 6.2.2 or 6.2.3, with JavaScript enabled. Internet Explorer can be found on the Documentation and Tools CD-ROM that is bundled with your router.

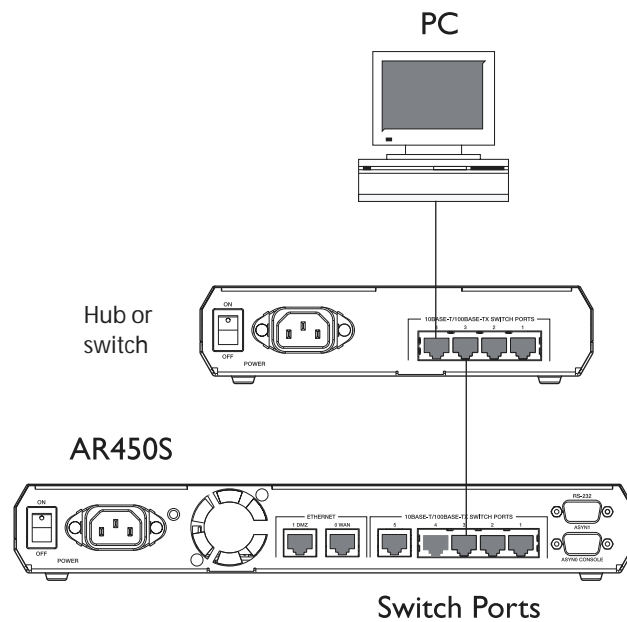
1. Connect the PC to a router switch port.

The PC can be connected directly, or through your LAN.

To connect the PC directly to the router, use a straight-through Ethernet cable to connect an Ethernet card on the PC to any one of the router's switch ports. Note the PC's IP address and mask.



To connect via a LAN, use a straight-through Ethernet cable to connect the router's switch port(s) to the device(s) on the LAN. Select the LAN PC from which you wish to configure the router. The PC should be in the same subnet as the part of the LAN that contains the router (for example, the PC could be connected to a hub or Layer 2 switch that is directly connected to one of the router's switch ports). Note the PC's IP address and mask.



2. Access the CLI on the router.

Follow the instructions in the previous Using the CLI to configure a router section.

3. Enable IP.

At the CLI, enter the command:

```
ENABLE IP
```

4. Assign an IP address to VLAN1.

Assign the VLAN1 interface an IP address in the subnet that the PC uses, using the command:

```
ADD IP INTERFACE=vlan1 IP=ipaddress MASK=mask
```

5. Browse to the GUI.

If you access the Internet through a proxy server, set your browser to bypass the proxy for the IP address you just assigned to the VLAN1 interface.

Point your web browser at the IP address of the VLAN interface.

6. Log in and set the password.

At the log in prompt, enter the log in name and password. Passwords are case sensitive.

User Name: **manager**

Password: **friend**

The system status page appears and you can now use the GUI to configure the router.



To ensure configuration settings are saved correctly, use the GUI menus and buttons to navigate, not your browser's buttons.



As a security precaution, change the password as soon as possible.

To change the password, select Management > Users from the sidebar menu. Select the Manager account and click Modify.

7. To access context-sensitive help in the GUI.

Click on the Help Button [Help]. The Help button is located at the top of the sidebar menu or on any popup page.

Connecting the Data Cables

Connecting the AR450S to your network:

1. Connect to the LAN and DMZ.

If you have not already done so, use a straight-through Ethernet patch cable to connect the device(s) on your private network (LAN) to the router's switch port(s). Two straight-through Ethernet patch cables are supplied with the router. By default, all five switch ports are members of VLAN1.

If you have a public server, use a straight-through Ethernet patch cable to connect it to the router's Ethernet DMZ (ETH1) port. Separating public servers from your LAN allows the firewall to provide greater protection for your LAN. If you have multiple public servers, you can connect them to a hub or Layer 2 switch and connect that device to the router's DMZ port.

2. Connect to the WAN.



If you intend to use a firewall, configure it before you activate the WAN link.

Once initial configuration is complete, use a straight-through Ethernet patch cable to connect the router's Ethernet WAN (ETH0) port to the Ethernet port of a WAN device (such as a modem).

LEDs and What They Mean

LEDs indicate the router's operational status and port activity.

AR450S System LEDs

LED	State	Function
Power	Green	The router is receiving power and the power switch is in the ON position
System	Amber	The router is malfunctioning
	Flashing	The fan has failed
	Off	Normal operation
Full Dup	Green	The corresponding port is operating at full-duplex
	Off	The corresponding port is operating at half-duplex
Link/ACT	Green	A link has been established through the corresponding port
	Flashing	Data is being transmitted through the corresponding port
	Off	No link is present through the corresponding port
100M	Green	The corresponding port is operating at 100Mbps
	Off	The corresponding port is operating at 10Mbps

Troubleshooting Installation

If you have problems installing the router, try one or more of the following:

No LEDs Light

The most likely reason is that the router is not receiving power. Check the following:

1. Check the supply outlet's switch is in the ON position.
2. Test the mains power outlet to verify it is working.

If the problem persists, contact your authorised Allied Telesyn distributor or reseller.

LEDs Light Incorrectly

If the System LED stays on, the router software has encountered a fatal condition. Contact your authorised Allied Telesyn distributor or reseller.

No Response From the Terminal

1. Is the terminal cable correct for both the terminal and the router? Test the cable operation by connecting Txd and Rxd (pins 2 and 3) together at the router end of the cable. Characters typed on the terminal should be echoed back to the screen.
2. Are the terminal or terminal emulation software communication parameters set correctly? Refer to the *AR Router Hardware Reference* for more information on setting communications parameters.
3. Contact your authorised Allied Telesyn distributor or reseller for assistance.

Log in Name or Password Fails

1. Passwords are case sensitive. Check your spelling and that you are using the right combination of upper and lowercase characters.
2. Contact your authorised Allied Telesyn distributor or reseller for assistance.

Documentation and Tools CD-ROM

The Documentation and Tools CD-ROM bundled with each router contains the complete Document Set for your router. The CD-ROM also includes tools for managing your router.

The Document Set includes:

- The *AR400 Series Router Safety and Statutory Information* booklet, which provides safety and statutory information.
- This Quick Install Guide.
- The *AR400 Series User Guide*, which provides an introduction to the router and its operational features and characteristics.
- The *AR Router Hardware Reference*, which provides detailed information on the hardware features of AR routers.

- The *AR400 Series Router Software Reference*, which provides detailed information on configuring the router and its software.
- AT-TFTP Server for Windows, for downloading software releases.
- Adobe Acrobat Reader, for viewing online documentation.
- Microsoft Internet Explorer.

These documents can also be downloaded from the AR400 Series Router Support Site at www.alliedtelesyn.co.nz/support/ar400/.

Free Manuals Download Website

<http://myh66.com>

<http://usermanuals.us>

<http://www.somanuals.com>

<http://www.4manuals.cc>

<http://www.manual-lib.com>

<http://www.404manual.com>

<http://www.luxmanual.com>

<http://aubethermostatmanual.com>

Golf course search by state

<http://golfingnear.com>

Email search by domain

<http://emailbydomain.com>

Auto manuals search

<http://auto.somanuals.com>

TV manuals search

<http://tv.somanuals.com>