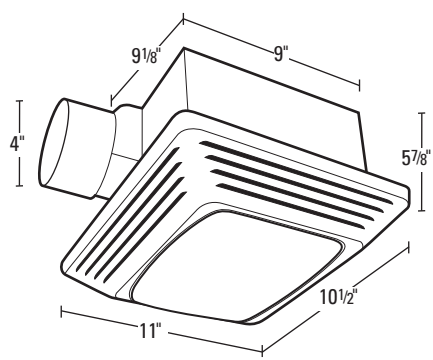




SPECIFICATIONS
ASLC120
 EXHAUST FAN WITH LIGHT

120 CFM/4.0 SONES @ 0.10" WG.
HVI CERTIFIED 120 Volts, 1.6 amps, 60 hz.

- **Grill**
 White, polymeric grill secured in place via screw mounting through the light housing, dimensions - 11" x 10 1/2".
- **Light Lens**
 High impact polycarbonate lens, secured in position using integral tabs: easily removed if necessary.
- **Light Housing**
 Heavy gauge cold rolled steel c/w baked enamel finish; locks in place on the grill via two integral tabs.
- **Blower Wheel**
 One piece polymeric wheel, 4 1/2" diameter, 1" wide, with 10 fins.
- **Motor**
 PSC, plug-in, 4 pole motor, life time lubrication, thermally protected. Rated 120 volts, 60 hz., 1.6 amps.
- **Fan Housing**
 23 ga. Galvanized metal housing, dimensions 9 1/8" x 9" x 5 7/8"
- **Duct Collar**
 Plastic collar for 4" duct connection, comes complete with built in non-metallic back draft damper for quiet operation.
- **Lighting**
 Type A-19 medium base incandescent 100 watt maximum bulb.



CUL/HVI

Acceptable for use over tub or shower when installed in a GFCI protected branch circuit.

- **Unit Mounting**
 Rated Type IC for ceilings insulated to R-40. Designed to mount in ceilings with at least 6" of clearance. The unit will mount using the supplied mounting bars with a rough in opening of 9 1/4" x 9 3/8". The housing will mount through drywall thickness up to 3/4".
- **Single Pack Shipping Info**
 Box Dim: 11 1/2" x 13 1/4" x 9 1/2"
 UPC: 0-8316221271-8
 Shipping Weight: 6 lbs.

PERFORMANCE											
	Static Pressure (inches of w.g.)								HVI Sones @ .1 SP	Fan Speed RPM	Power Watts
	0	0.05	0.1	0.125	0.25	0.375	0.5	0.625			
Air Flow - CFM	126	123	120	118	110	101	92	81	4.0	1800	97

PROJECT					ARCHITECT				
LOCATION					ENGINEER				
CONTRACTOR					SUBMITTED BY			DATE	
FAN NUMBER	MODEL NUMBER	CFM	IN W.G.	RPM	WATTS	AMPS	SONES	QTY	OPTIONAL EQUIPMENT & REMARKS



U.S.: 820 Lincoln Drive
 West Chester, Pennsylvania 19380-4466
 Tel: (610) 692-7400 • 877-304-3785
 Fax: (610) 696-8048

Canada: 110 Glidden Road
 Brampton, Ontario L6T 2J3
 Tel: (905) 456-2033
 Fax: (905) 456-1015

Specifications subject to change without notice.

Updated 7-08

Free Manuals Download Website

<http://myh66.com>

<http://usermanuals.us>

<http://www.somanuals.com>

<http://www.4manuals.cc>

<http://www.manual-lib.com>

<http://www.404manual.com>

<http://www.luxmanual.com>

<http://aubethermostatmanual.com>

Golf course search by state

<http://golfingnear.com>

Email search by domain

<http://emailbydomain.com>

Auto manuals search

<http://auto.somanuals.com>

TV manuals search

<http://tv.somanuals.com>