

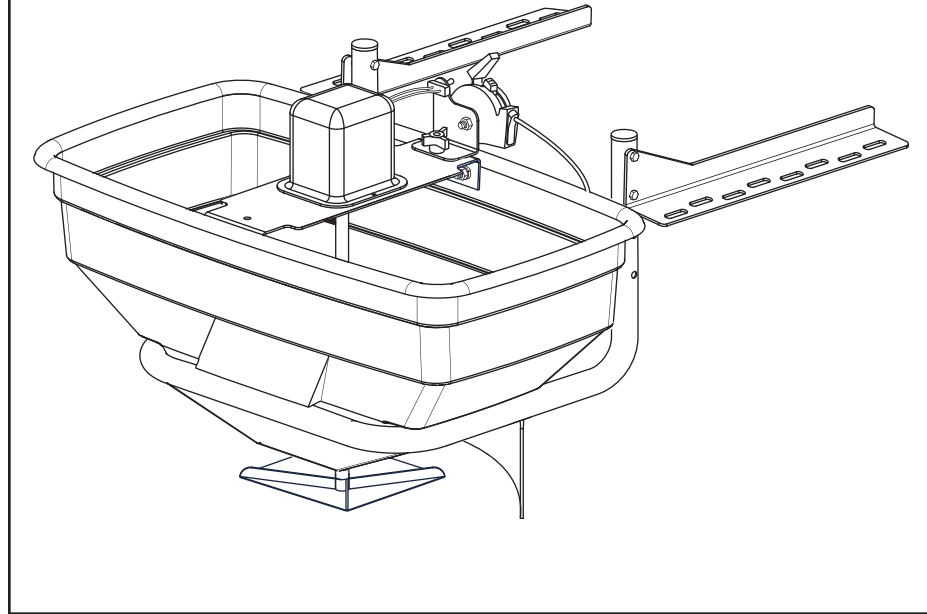


# OWNERS MANUAL

Model No.

**45-0324**

CAUTION:  
Read Rules for  
Safe Operation  
and Instructions  
Carefully



## ATV MOUNTED 125 LB. BROADCAST SPREADER

- Assembly
- Operation
- Maintenance
- Repair Parts

**SpeedPart** *the fastest way to purchase parts* [www.speedepart.com](http://www.speedepart.com)

# RULES FOR SAFE OPERATION

Any power equipment can cause injury if operated improperly or if the user does not understand how to operate the equipment. Exercise caution at all times when operating equipment.

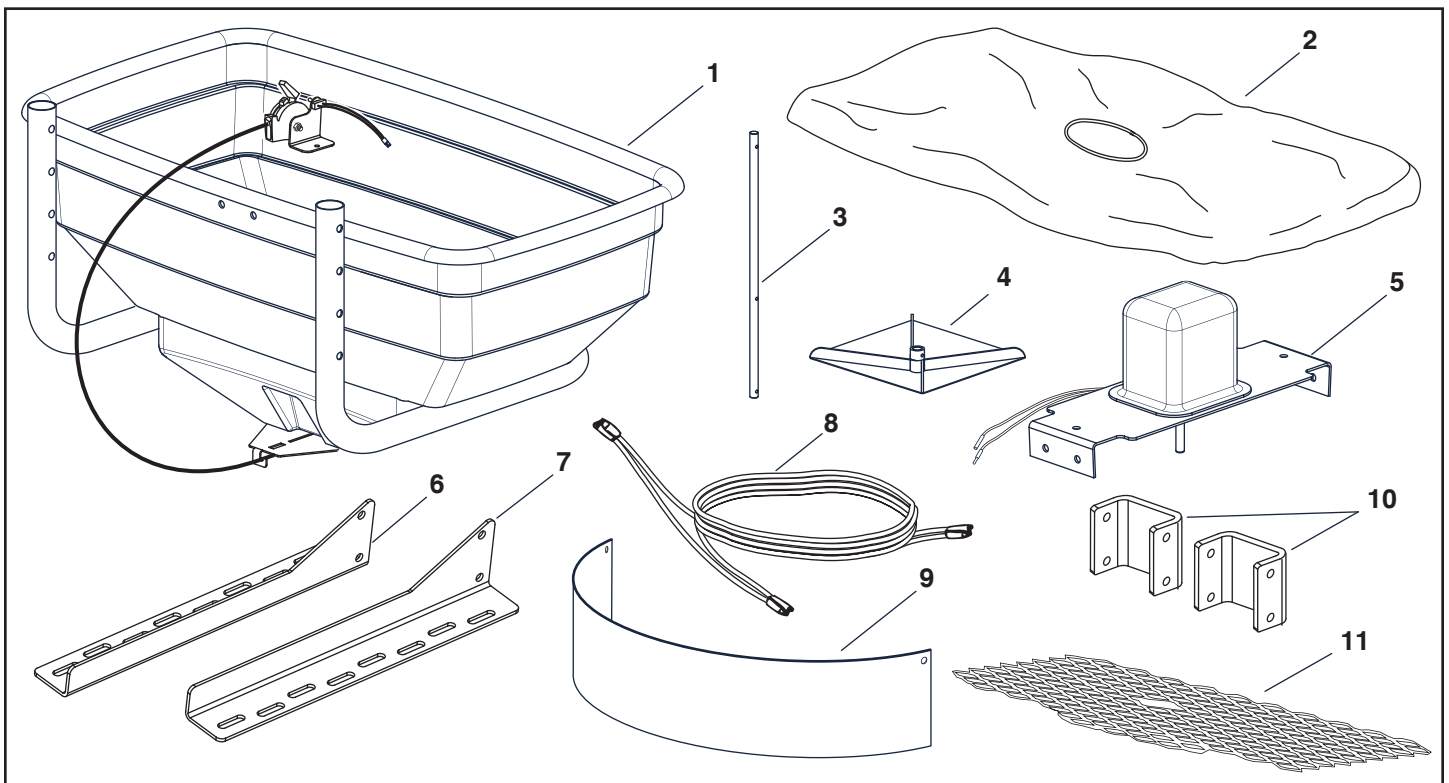
- Read this owners manual before attempting to assemble or operate the spreader.
- Read the vehicle owners manual and know how to operate your vehicle, before using the spreader attachment.
- Do not allow anyone to ride on or sit on spreader attachment frame.
- Never allow children to operate the vehicle or spreader attachment.
- Do not allow adults to operate the vehicle or spreader attachment without proper instructions.
- Never operate vehicle and spreader attachment without wearing solid, substantial footwear.
- Wear eye and hand protection when handling and using lawn chemicals.
- Always begin with the transmission in first (low) and gradually increase speed as conditions permit.
- When using broadcast spreader do not drive too close to a creek or ditch and be alert for holes and other hazards which could cause you to loose control of the broadcast spreader and vehicle.
- Always operate vehicle and spreader up and down a slope, never across a slope.
- Read instructions and caution notes for handling and application of materials purchased for spreading.
- Follow maintenance and lubrication instructions as outlined in this manual.



LOOK FOR THIS SYMBOL TO POINT OUT IMPORTANT SAFETY PRECAUTIONS. IT MEANS — ATTENTION! BECOME ALERT! YOUR SAFETY IS INVOLVED.

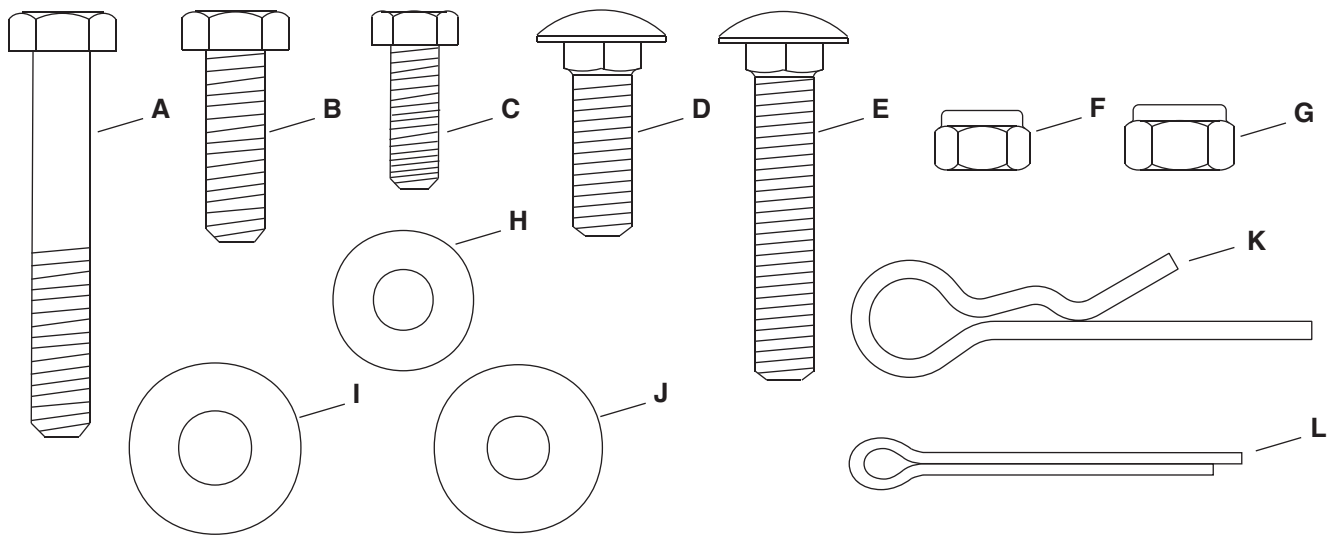
## CARTON CONTENTS

1. Hopper/Frame Assembly
2. Vinyl Cover
3. Impeller Shaft
4. Impeller
5. Motor Mount Assembly
6. Mounting Bracket, R.H.
7. Mounting Bracket, L.H.
8. Wire Harness
9. Deflector
10. Extension Brackets (2)
11. Screen  
Hardware Package (See page 3)

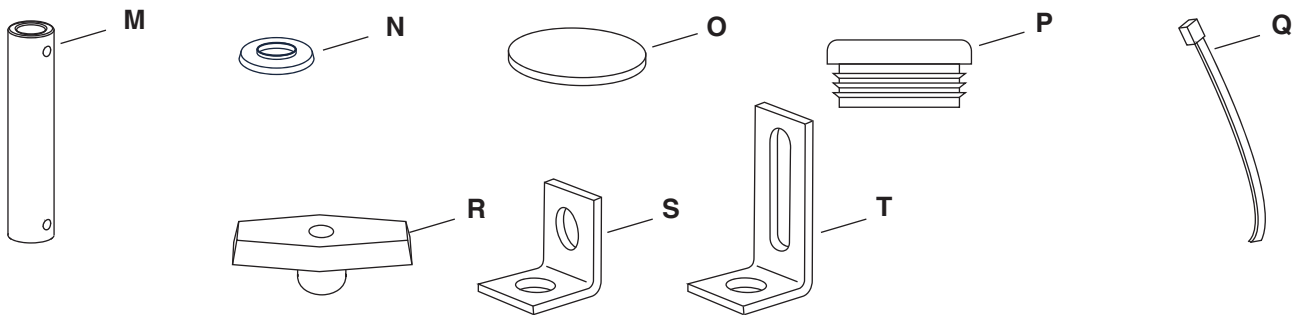


# HARDWARE PACKAGE

## SHOWN FULL SIZE



## NOT SHOWN FULL SIZE



KEY	QTY.	DESCRIPTION	KEY	QTY.	DESCRIPTION
A	4	Hex Bolt, 5/16" x 2"	L	3	Cotter Pin, 1/8" x 1-1/4"
B	8	Hex Bolt, 5/16" x 1"	M	1	Coupler
C	2	Hex Bolt, 1/4" x 3/4"	N	2	Seal
D	1	Carriage, 5/16" x 1"	O	4	Adhesive Pad
E	5	Carriage Bolt, 5/16" x 1-3/4"	P	2	Plug
F	4	Nylock Hex Nut, 1/4"	Q	1	Nylon Tie
G	12	Nylock Hex Nut, 5/16"	R	5	Plastic Knob
H	2	Flat Washer, 1/4"	S	2	Angle Bracket
I	4	Flat Washer, 5/16"	T	5	Mounting Clamp
J	4	Nylon Washer			
K	1	Hair Pin Agitator			

# ASSEMBLY INSTRUCTIONS

## TOOLS REQUIRED FOR ASSEMBLY

- (1) Pliers
- (2) 7/16" Wrenches
- (2) 1/2" Wrenches
- (2) 9/16" Wrenches

## REMOVAL OF PARTS FROM CARTON

Remove all parts and hardware packages from the carton. Lay out all parts and hardware and identify using the illustrations on pages 2 and 3.

1. Turn the spreader upside down as shown in figure 1.
2. Press the two plugs into the ends of the frame tube. See figure 1.

**HINT:** Use a block of wood to help press the plug down into the end of the tubing.

3. Assemble the two angle brackets and two 1/4" nylock nuts onto the ends of the longer bolts that are already assembled to the frame tube. **Do not tighten yet.** See figure 1.

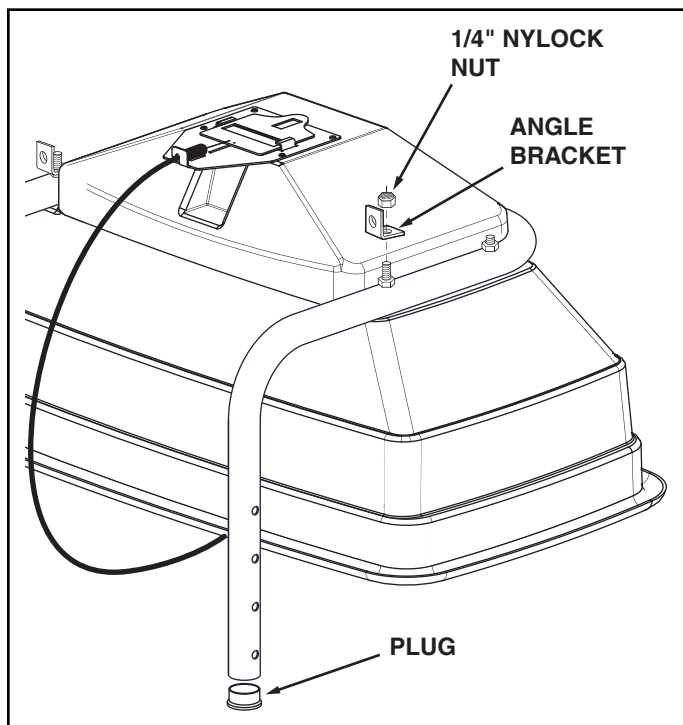


FIGURE 1

4. Fasten the deflector to the angle brackets using two 1/4" x 3/4" hex bolts, 1/4" flat washers and 1/4" nylock nuts. Allow the angle brackets to swivel so that the deflector curves naturally between the angle brackets and then **tighten all nuts.** See figure 2.

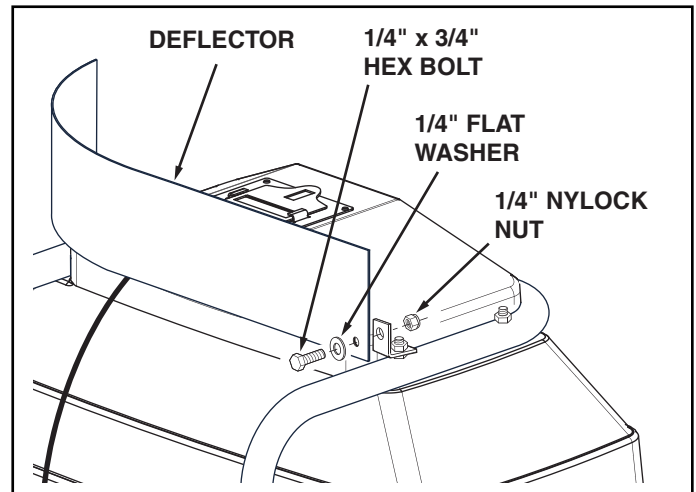


FIGURE 2



Position the spreader for adequate clearance if the vehicle muffler discharges straight toward the rear.

**NOTE:** The top of the hopper should be at least 30" above the ground. The mounting holes shown in figures 3 and 4 will make the top of the hopper even with the vehicle's rear rack. If exhaust blows against spreader, a higher mounting position may help.

**IMPORTANT:** Before proceeding, determine if the mounting brackets, when attached directly to the spreader frame, will fit onto the vehicle rack. If they need to be farther apart, use the extension brackets in figure 4.

**If you are NOT using extension brackets:**

5. Attach the R.H. mounting bracket to the frame tube using two 5/16" x 2" hex bolts and 5/16" nylock nuts as shown in figure 3. **Tighten.** Repeat for the L.H. mounting bracket.

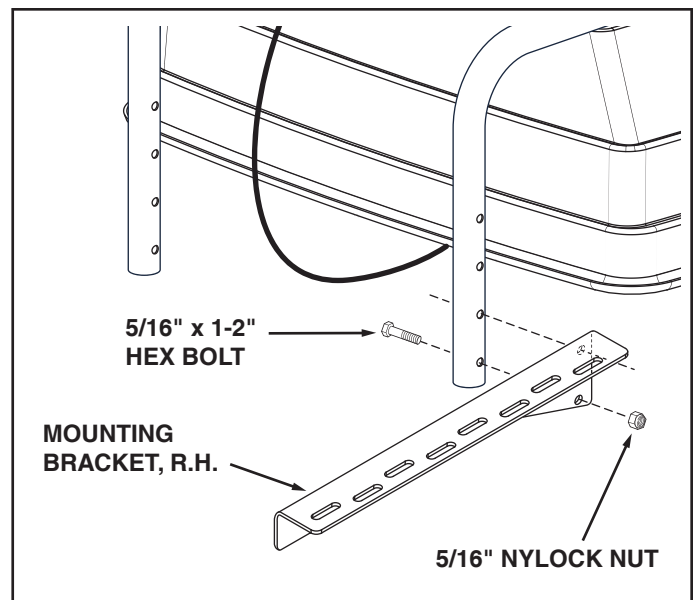
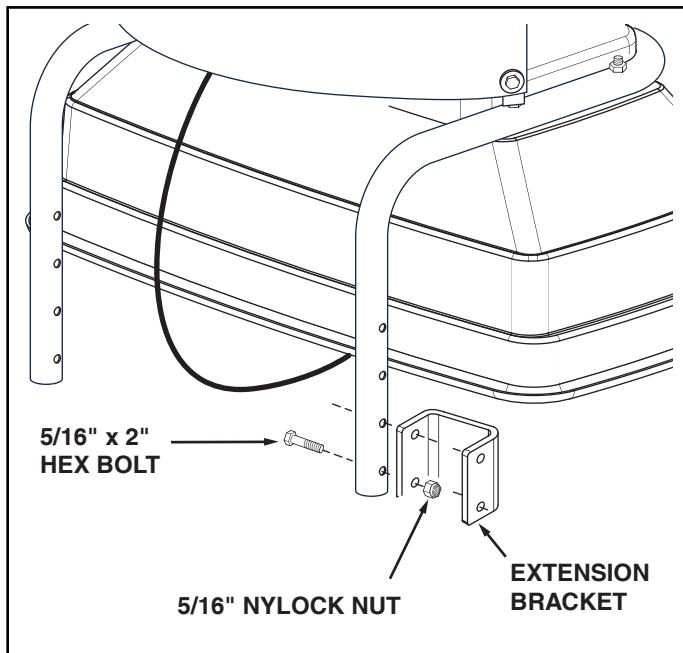


FIGURE 3

**If you are using extension brackets:**

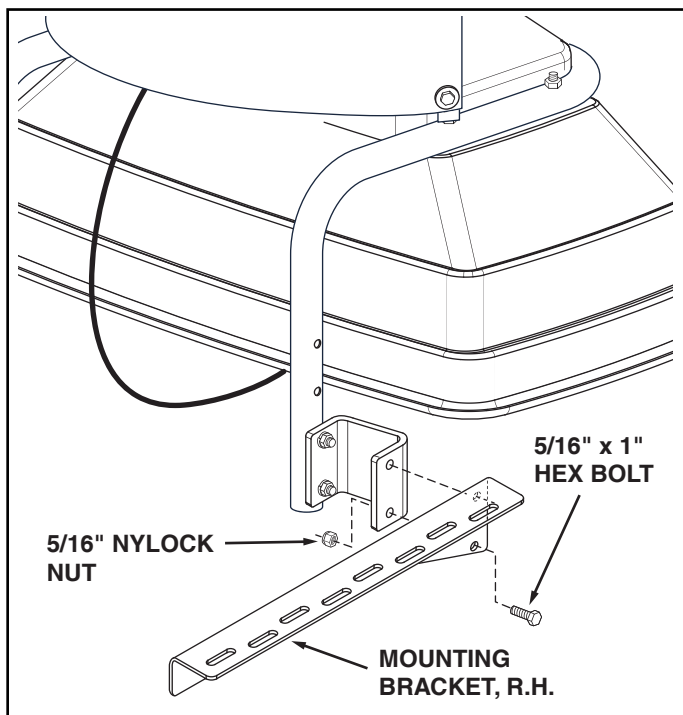
6. Attach the extension brackets to the legs of the spreader frame. Use two 5/16" x 2" hex bolts and 5/16" nylock nuts per bracket. **Tighten.** See figure 4.



**FIGURE 4**

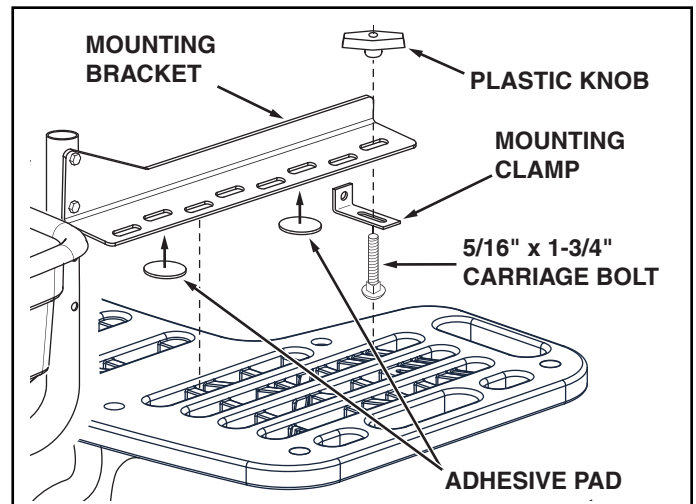
**If you are using extension brackets:**

7. Attach the R.H. mounting bracket to the extension bracket shown in figure 5 using two 5/16" x 1" hex bolts and 5/16" nylock nuts. **Tighten.** Repeat on the other frame leg with the L.H. mounting bracket.



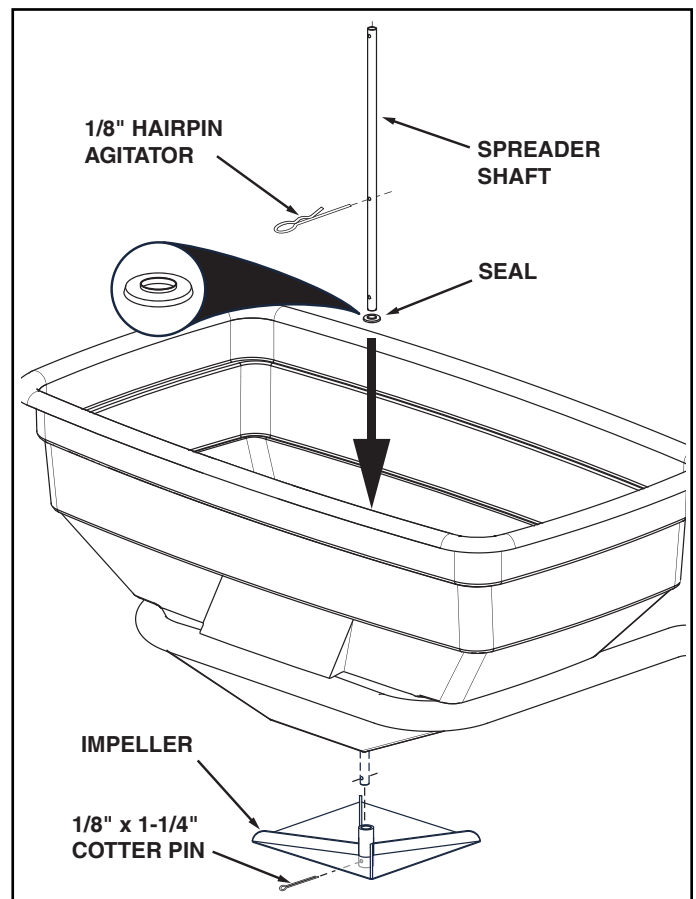
**FIGURE 5**

8. Attach the spreader's mounting brackets to the vehicle's rear rack using four 5/16" x 1-3/4" carriage bolts, mounting clamps and plastic knobs. Use the adhesive pads to protect the rack. See figure 6.



**FIGURE 6**

9. Insert the 1/8" hairpin agitator into the middle hole in the spreader shaft. Assemble a seal (turned as shown in figure 7) onto the end of the spreader shaft closest to the hairpin agitator. See figure 7.
10. Slide the end of the spreader shaft having the seal through the plastic bushing in the bottom of the hopper. See figure 7.
11. Slide the impeller onto the spreader shaft and secure it with a 1/8" x 1-1/4" cotter pin. See figure 7.



**FIGURE 7**

12. Assemble a seal (turned as shown in figure 8) onto the motor shaft. Slide it up against the motor.
13. Assemble the impeller coupler onto the motor shaft and secure it with a 1/8" x 1-1/4" cotter pin. Spread the ends of the pin around the coupler. See figure 8.

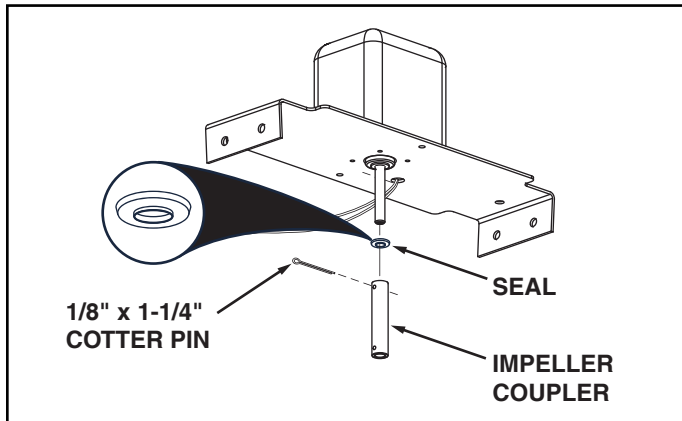


FIGURE 8

14. Place the screen down into the hopper. **DO NOT** place it under the clips in bottom of hopper at this time. See figure 9.
15. Place the motor assembly down into the hopper, inserting the end of the spreader shaft into the impeller coupler. Secure it with a 1/8" x 1-1/4" cotter pin, spreading the ends of the pin around the coupler. See figure 9.
16. Fasten the motor mount bracket to the hopper using four 5/16" x 1" hex bolts, 5/16" flat washers, nylon washers and 5/16" nylock nuts. See figure 9.

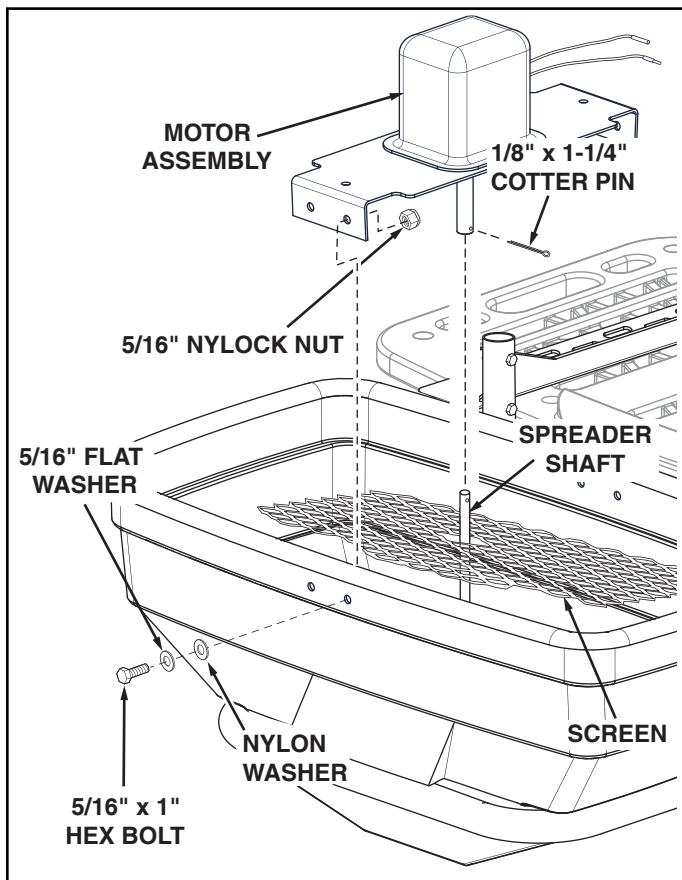


FIGURE 9

17. Lift the screen up and slide the seal down the spreader shaft to rest against the plastic bushing in the bottom of the hopper. See figure 10.
18. Slide one edge of the screen under one of the clips. Then, slightly bow the screen to slide the opposite side of the screen under the other clip. See figure 10.

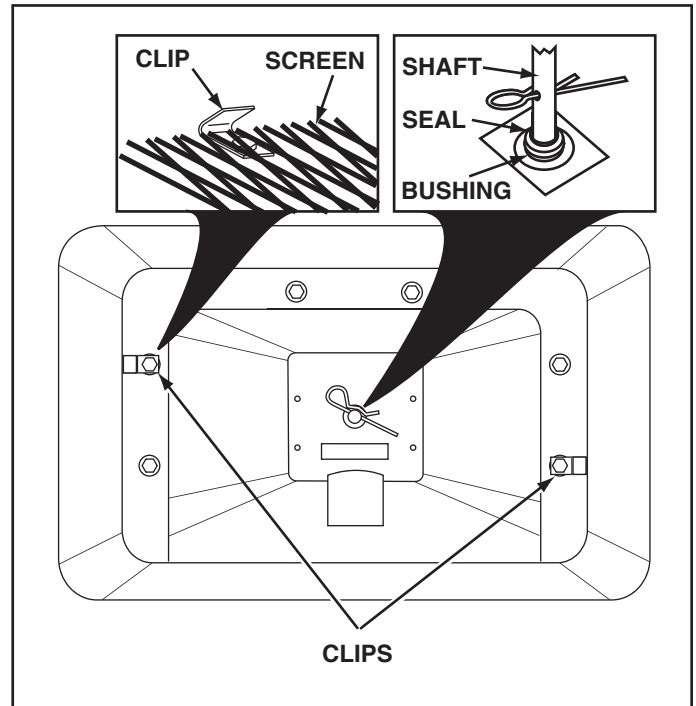
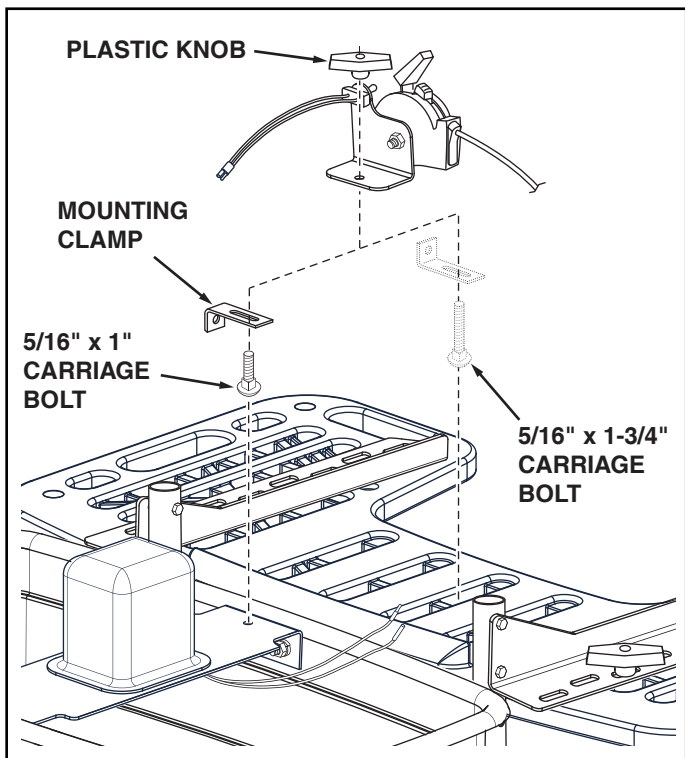


FIGURE 10



19. Attach the flow control to the motor mount bracket on the spreader using the 5/16" x 1" carriage bolt, a mounting clamp and a plastic knob. See figure 11.

**NOTE:** You can also attach to the rear rack if you use a 5/16" x 1-3/4" carriage bolt. If you attach to the rear rack, you can loosely pre-assemble the clamp, bolt and knob to the flow control. The clamp can then be angled down through the slot in the rack.



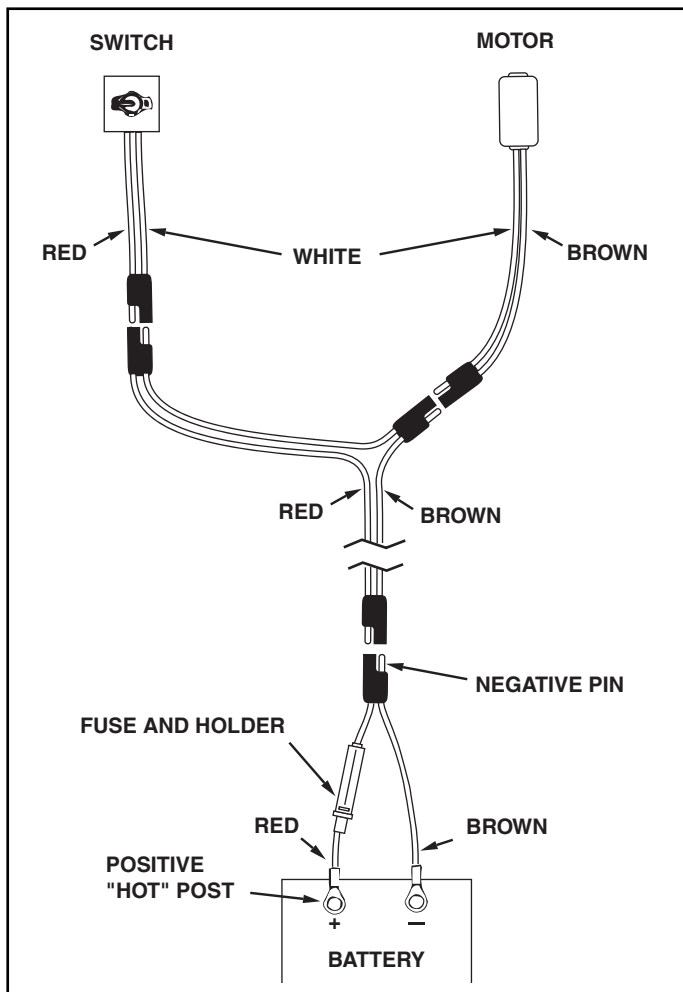
**FIGURE 11**

### WIRING INSTRUCTIONS

When properly connected, the spreader motor and impeller will run **clockwise viewed from above**.

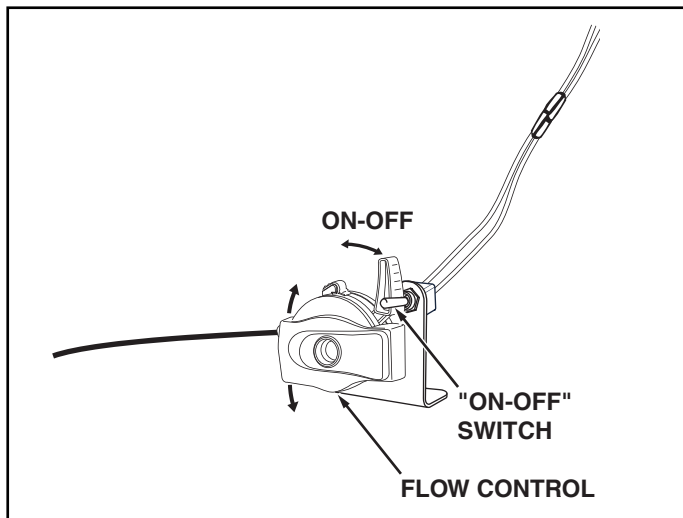
20. Move the spreader's flow control lever to the off position so that the "ON-Off" switch is turned off.
21. Connect the short (fused) wire harness to the vehicle battery by connecting the red wire to the positive post and the brown wire to the negative post on the battery. The wire harness may be left permanently attached to the battery. See figure 12.
22. Connect the long wire harness to the spreader by connecting the red and white wires to the switch and the brown and white wires to the spreader motor. Refer to figure 12.
23. Connect the long wire harness to the short (fused) wire harness. Be sure the wires are clear of any moving parts, hot engine parts, or pinch points.
24. Use the nylon ties provided to safely secure the wiring away from hot engine parts, rotating parts and pinch points.

**NEVER** allow negative pin on plug to come in contact with positive "hot" post on battery. Fire or explosion can result!



**FIGURE 12**

25. Move the flow control lever to the "ON" position. Flip the "ON-OFF" switch on and check that the motor runs counterclockwise. If it does not, refer to the wiring diagram on page 6 and recheck the hookup.
26. Move the flow control lever to "OFF". This should turn the "ON-OFF" switch off. If it does not, you can loosen the control and rotate it enough that the flow control lever, when moved to the "OFF" position will turn the switch off. See figure 13.



**FIGURE 13**

# OPERATION

## HOW TO USE YOUR SPREADER

### SETTING THE FLOW CONTROL

1. Slide the Adjustable stop to the desired setting.
2. Move the Flow Control Lever forward until it snaps into the Adjustable Stop, locking the lever at the desired setting. See figure 14.

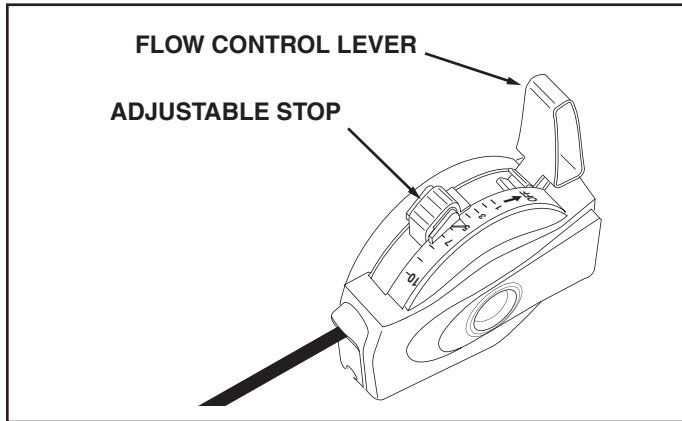


FIGURE 14

### STARTING THE SPREADER

1. Move the Flow Control Lever against the Adjustable Stop and flip the "ON-OFF" switch to the on position.

### STOPPING THE SPREADER

1. Move the Flow Control Lever to the "OFF" position. Make sure that the switch is turned off by the Flow Control Lever.

## USING YOUR SPREADER

We do not recommend the use of any powdered lawn chemicals, due to difficulty in obtaining a satisfactory or consistent broadcast pattern.

1. Determine approximate square footage of area to be covered and estimate amount of material required.
2. Verify that the spreader motor turns on and off and that the flow control is operating properly.
3. Make sure the flow control lever is in the off position and the closure plate is shut.
4. Set the adjustable stop to the desired flow rate, keeping the flow control arm in the off position. Refer to the application chart on this page and the instructions on the fertilizer bag to determine the proper flow rate setting. The application chart is calculated for a vehicle speed of 3 mph (100 ft. in 23 seconds). Faster speeds require higher flow rate settings to maintain the same application rate.
5. Fill the hopper with the material to be spread, breaking up any lumps as you fill the hopper.
7. Start the vehicle in motion and then open the spreader closure plate and flip the switch to "ON".

8. Shut the closure plate before turning or stopping.
9. To insure uniform coverage, make each pass so that the broadcast pattern slightly overlaps the pattern from the previous pass as shown in figure 15. The approximate broadcast widths for different materials are shown in the application chart on this page.
10. When broadcasting weed control fertilizers, make sure the broadcast pattern does not hit evergreen trees, flowers or shrubs.
11. Heavy moisture conditions may require a cover over the hopper to keep contents dry. The vinyl cover acts as a wind and moisture shield, but should not be used as a rain cover.
12. If fertilizer is accidentally deposited too heavily in an area, soak the area thoroughly with a garden hose or sprinkler to prevent burning of the lawn.

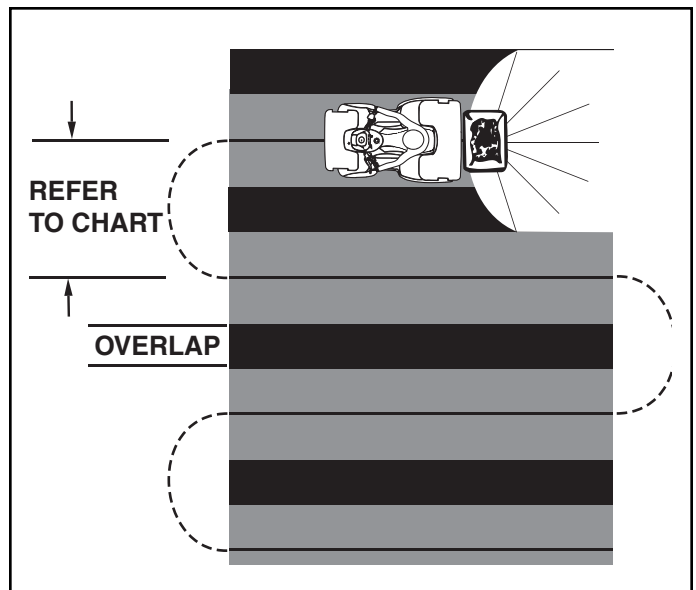


FIGURE 15

**IMPORTANT:** Application rates shown in the chart are affected by humidity and by the moisture content of the material (granular and pellet). Some minor setting adjustments may be necessary to compensate for this condition.

APPLICATION CHART		
TYPE MATERIAL	FLOW SETTING 3 MPH	SPREAD WIDTH
FERTILIZER		
Powder	3 - 5	3' - 4'
Granular	3 - 5	10' - 12'
Pelleted	3 - 5	17' - 19'
Organic	6 - 8	3' - 4'
GRASS SEED		
Fine	3 - 4	3' - 4'
Coarse	4 - 5	8' - 9'
ICE MELTER	6 - 8	17' - 19'
SAND	4-10	17' - 19'

**OPERATING SPEED - 3 MPH. (100 ft. in 23 seconds)**



## REMOVING THE SPREADER

13. Disconnect the spreader from the vehicle battery by unplugging the short wire harness from the long wire harness. The short wire harness may be left permanently attached to the battery.
14. Remove the flow control from the rear rack of the vehicle if it is attached there.
15. Loosen the knobs on the spreader mounting brackets. Rotate the clamps fastened underneath the vehicle rack and lift them up through the rack to remove the spreader.

## MAINTENANCE

### CHECK FOR LOOSE FASTENERS

1. Before each use make a thorough visual check of the spreader for any bolts and nuts which may have loosened. Retighten any loose bolts and nuts.

### CHECK FOR WORN OR DAMAGED PARTS

2. Check for worn or damaged parts before each use. Repair or replace parts if necessary.

### CLEANING

3. Rinse inside of hopper and exterior of spreader and dry off before storing.

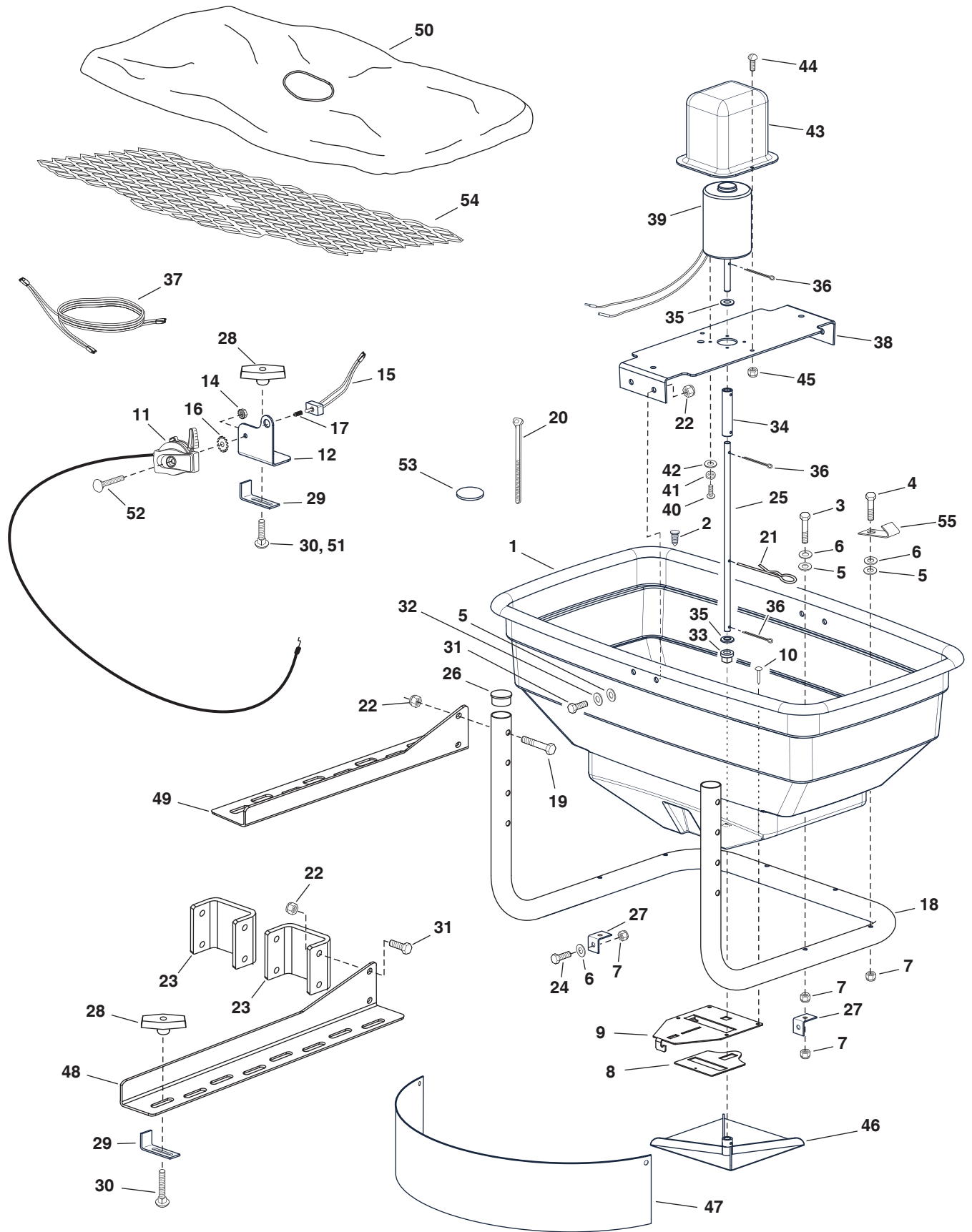
## STORAGE

1. Rinse inside of hopper and exterior of spreader and dry off before storing.
2. Store in a clean, dry area.

## TROUBLE SHOOTING POINTS

Hopper closure plate does not open to the correct position.	1. Material packed around plate	1. Clean out around closure plate
Spreader motor doesn't run.	1. Loose connection in spreader wiring 2. In line fuse is blown. 3. Loose battery connection 4. Battery is run down. 5. Broken spreader wiring 6. Spreader switch is broken. 7. Spreader motor is broken.	1. Check and reconnect. 2. Replace fuse. 3. Tighten battery terminals. 4. Recharge the battery. 5. Replace damaged wiring. 6. Replace the switch 7. Repair or replace motor.
Spreader motor runs backwards.	1. Wired backwards to battery.	1. Switch wiring at battery terminals.
Motor runs when switch is shut off.	1. Wired backwards to battery. 2. Spreader on-off switch is broken.	1. Switch wiring at battery terminals. 2. Replace the switch.

# REPAIR PARTS FOR ATV MOUNTED 125 LB. BROADCAST SPREADER MODEL 45-0324



**REPAIR PARTS FOR ATV MOUNTED  
125 LB. BROADCAST SPREADER MODEL 45-0324**

REF. NO.	PART NO.	QTY.	DESCRIPTION	REF. NO.	PART NO.	QTY.	DESCRIPTION
1	48915	1	Hopper	31	43063	8	Hex Bolt, 5/16-18 x 1"
2	48402	2	Plastic Plug	32	43081	4	Flat Washer, 5/16"
3	45164	2	Hex Bolt, 1/4-20 x 2-1/4"	33	44285	1	Bushing, Hopper
4	46699	4	Hex Bolt, 1/4-20 x 2"	34	24884	1	Coupler, Impeller
5	1543-69	10	Nylon Washer	35	48577	2	Shaft Seal
6	43088	8	Flat Washer, 1/4"	36	43010	3	Cotter Pin, 1/8" x 1-1/4"
7	47189	10	Nylock Nut, 1/4-20	37	46554	1	Wire Harness
8	25118	1	Flow Slide	38	24936	1	Bracket, Motor Mount
9	24853	1	Guide Plate	39	46562	1	Motor
10	43882	4	Rivet, Stainless Steel	40	46334	4	Pan Head Bolt, #8-32 x 1/2"
11	47999	1	Control Cable Assembly	41	736-0722	4	Lock Washer, #10
12	24937	1	Control Mount Bracket	42	43910	4	Flat Washer, #10
14	46978	1	Hex Nut, 1/4-20 (SIMS)	43	48432	1	Cover, Motor
15	48983	1	Switch, On-Off	44	43346	2	Truss Head Bolt, #10-32 x 5/8"
16	44732	1	Star Washer	45	47171	2	Nylock Nut, #10-32
17	45082	1	Boot, Rubber Switch	46	04367	1	Impeller
18	48947	1	Tube, Hopper Mount	47	48559	1	Deflector
19	44180	4	Hex Bolt, 5/16-18 x 2"	48	25214	1	Mounting Bracket, R.H.
20	726-0178	3	Nylon Tie	49	25213	1	Mounting Bracket, L.H.
21	48934	1	Hairpin Agitator	50	49080	1	Vinyl Cover
22	47810	12	Nylock Nut, 5/16-18	51	44326	1	Carriage Bolt, 5/16-18 x 1"
23	25248	2	Extension Bracket	52	45039	1	Carriage Bolt, 1/4-20 x 1-3/4"
24	43012	2	Hex Bolt, 1/4-20 x 3/4"	53	48661	4	Adhesive Pad
25	24946	1	Impeller Shaft	54	49947	1	Screen
26	47674	2	Plug, 1-1/4"	55	25672	2	Clip
27	23826	2	Angle Bracket		48581	1	Owner's Manual
28	43720	5	Plastic Knob				
29	23442	5	Mounting Bracket				
30	44215	5	Carriage Bolt, 5/16-18 x 1-3/4"				

**SpeedPart** *the fastest way to purchase parts* [www.speedepart.com](http://www.speedepart.com)

***SpeedEPart*** *the fastest way to purchase parts* [www.speedepart.com](http://www.speedepart.com)

**REPAIR PARTS**

Agri-Fab, Inc.  
303 West Raymond  
Sullivan, IL. 61951  
217-728-8388  
[www.agri-fab.com](http://www.agri-fab.com)

© 2004 Agri-Fab, Inc.

## Free Manuals Download Website

<http://myh66.com>

<http://usermanuals.us>

<http://www.somanuals.com>

<http://www.4manuals.cc>

<http://www.manual-lib.com>

<http://www.404manual.com>

<http://www.luxmanual.com>

<http://aubethermostatmanual.com>

Golf course search by state

<http://golfingnear.com>

Email search by domain

<http://emailbydomain.com>

Auto manuals search

<http://auto.somanuals.com>

TV manuals search

<http://tv.somanuals.com>