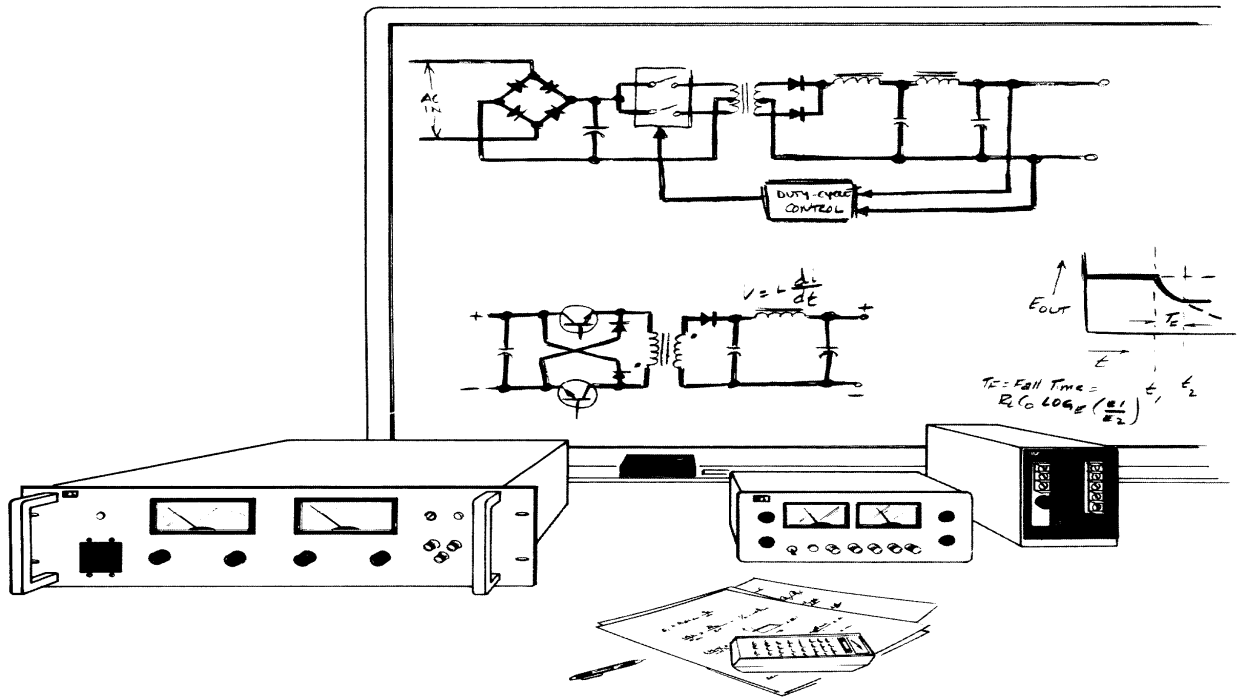


DC POWER SUPPLY HANDBOOK



Application Note 90B



Agilent Technologies

TABLE OF CONTENTS

| | |
|--|-----------|
| Introduction | 6 |
| Definitions | 6 |
| Ambient Temperature | 6 |
| Automatic (Auto) Parallel Operation | 6 |
| Automatic (Auto) Series Operation | 7 |
| Automatic (Auto) Tracking Operation | 8 |
| Carryover Time | 8 |
| Complementary Tracking | 8 |
| Compliance Voltage | 8 |
| Constant Current Power Supply | 8 |
| Constant Voltage Power Supply | 9 |
| Constant Voltage/Constant Current (CV/CC) Power Supply | 9 |
| Constant Voltage/Current Limiting (CV/CL) Power Supply | 10 |
| Crowbar Circuit | 11 |
| Current Foldback | 11 |
| Drift | 11 |
| Efficiency | 11 |
| Electromagnetic Interference (EMI) | 11 |
| Inrush Current | 11 |
| Load Effect (Load Regulation) | 12 |
| Load Effect Transient Recovery Time | 12 |
| Off-Line Power Supply | 12 |
| Output Impedance of a Power Supply | 12 |
| PARD (Ripple and Noise) | 13 |
| Programming Speed | 14 |
| Remote Programming (Remote Control) | 14 |
| Remote Sensing (Remote Error Sensing) | 15 |
| Resolution | 15 |
| Source Effect (Line Regulation) | 15 |
| Stability (see Drift) | 16 |
| Temperature Coefficient | 16 |
| Warm Up Time | 16 |
| Principles of Operation | 17 |
| Constant Voltage Power Supply | 17 |
| Regulating Techniques | 18 |
| Series Regulation | 18 |
| Typical Series Regulated Power Supply | 19 |
| Pros and Cons of Series Regulated Supplies | 19 |
| The Series Regulated Supply - An Operational Amplifier | 20 |
| Series Regulator with Preregulator | 23 |
| Switching Regulation | 25 |
| Basic Switching Supply | 26 |

| | |
|---|----|
| Typical Switching Regulated Power Supplies | 27 |
| Summary of Basic Switching Regulator Configurations | 30 |
| SCR Regulation..... | 31 |
| Constant Current Power Supply | 32 |
| Constant Voltage/Constant Current (CV/CC) Power Supply..... | 34 |
| Constant Voltage/Current Limiting Supplies | 36 |
| Current Limit..... | 36 |
| Current Foldback..... | 37 |
| Protection Circuits | 38 |
| Protection Circuits for Linear Type Supplies | 38 |
| Overvoltage Crowbar Circuit Details | 39 |
| Crowbar Response Time | 41 |
| Special Purpose Power Supplies..... | 43 |
| High Voltage Power Supply..... | 43 |
| High Performance Power Supplies | 45 |
| Extended Range Power Supplies | 50 |
| Advantages of Extended Range | 50 |
| Example of Extended Range Power Supply | 51 |
| Faster Down-Programming Speed | 53 |
| Bipolar Power Supply/Amplifier | 54 |
| Digitally Controlled Power Sources | 55 |

AC and Load Connections.....59

| | |
|---|----|
| Checklist For AC and Load Connections | 59 |
| AC Power Input Connections..... | 59 |
| Load Connections for One Power Supply..... | 59 |
| Load Connections for Two or More Power Supplies | 60 |
| AC Power Input Connections | 60 |
| Autotransformers | 61 |
| Line Regulators | 61 |
| Input AC Wire Rating | 61 |
| LOAD CONNECTIONS FOR ONE POWER SUPPLY..... | 61 |
| DC Distribution Terminals..... | 62 |
| Load Decoupling..... | 64 |
| Ground Loops..... | 65 |
| DC Common | 68 |
| DC Ground Point..... | 72 |
| Remote Error Sensing (Constant Voltage Operation Only)..... | 72 |
| Load Connections For Two or More Power Supplies | 78 |
| DC Distribution Terminals..... | 78 |
| DC Common | 79 |
| DC Ground Point..... | 79 |

Remote Programming.....80

| | |
|--|----|
| Constant Voltage Remote Programming With Resistance Control..... | 80 |
| Remote Programming Connections | 81 |
| Output Drift..... | 81 |
| Protecting Against Momentary Programming Errors | 82 |
| Backup Protection for Open Programming Source..... | 83 |

| | |
|---|------------|
| Constant Voltage Remote Programming With Voltage Control | 84 |
| Programming with Unity Voltage Gain | 84 |
| Programming with Variable Voltage Gain | 85 |
| Constant Current Remote Programming..... | 86 |
| Remote Programming Accuracy..... | 86 |
| Remote Programming Speed | 88 |
| Output Voltage and Current Ratings..... | 91 |
| Duty Cycle Loading..... | 91 |
| Reverse Current Loading..... | 93 |
| Dual Output Using Resistive Divider | 94 |
| Parallel Operation | 96 |
| Auto Parallel Operation | 96 |
| Series Operation | 97 |
| Auto-Series Operation | 97 |
| Auto Tracking Operation..... | 99 |
| Converting a Constant Voltage Power Supply To Constant Current Output | 99 |
| PERFORMANCE MEASUREMENTS | 101 |
| Constant Voltage Power Supply Measurements..... | 101 |
| Precautions | 101 |
| CV Source Effect (Line Regulation)..... | 104 |
| CV Load Effect (Load Regulation)..... | 104 |
| CV PARD (Ripple and Noise) | 105 |
| CV Load Effect Transient Recovery Time (Load Transient Recovery)..... | 109 |
| CV Drift (Stability)..... | 111 |
| CV Temperature Coefficient..... | 111 |
| CV Programming Speed..... | 111 |
| CV Output Impedance..... | 113 |
| Constant Current Power Supply Measurements | 113 |
| Precautions | 114 |
| CC Source Effect (Line Regulation)..... | 116 |
| CC Load Effect (Load Regulation)..... | 116 |
| CC PARD (Ripple and Noise) | 116 |
| CC Load Effect Transient Recovery Time | 117 |
| CC Drift (Stability) | 117 |
| CC Temperature Coefficient..... | 119 |
| Other Constant Current Specifications | 119 |
| Index | 120 |

INTRODUCTION

Regulated power supplies employ engineering techniques drawn from the latest advances in many disciplines such as: low-level, high-power, and wideband amplification techniques; operational amplifier and feedback principles; pulse circuit techniques; and the constantly expanding frontiers of solid state component development.

The full benefits of the engineering that has gone into the modern regulated power supply cannot be realized unless the user first recognizes the inherent versatility and high performance capabilities, and second, understands how to apply these features. This handbook is designed to aid that understanding by providing complete information on the operation, performance, and connection of regulated power supplies.

The handbook is divided into six main sections: Definitions, Principles of Operation, AC and Load Connections, Remote Programming, Output Voltage and Current Ratings, and Performance Measurements. Each section contains answers to many of the questions commonly asked by users, like:

What is meant by auto-parallel operation?

What are the advantages and disadvantages of switching regulated supplies?

When should remote sensing at the load be used?

How can ground loops in multiple loads be avoided?

What factors affect programming speed?

What are the techniques for measuring power supply performance?

In summary, this is a book written not for the theorist, but for the user attempting to solve both traditional and unusual application problems with regulated power supplies.

DEFINITIONS

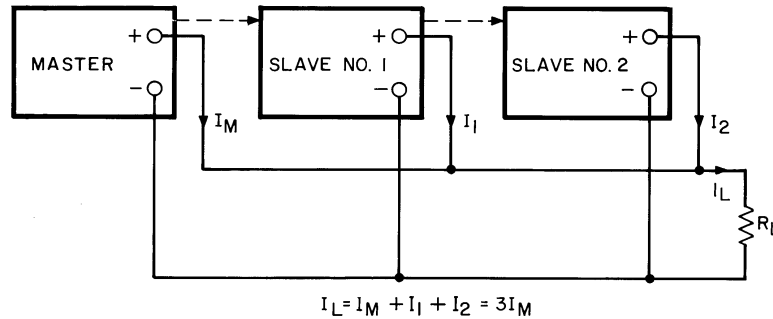
AMBIENT TEMPERATURE

The temperature of the air immediately surrounding the power supply.

AUTOMATIC (AUTO) PARALLEL OPERATION

A master-slave parallel connection of the outputs of two or more supplies used for obtaining a current output greater than that obtainable from one supply. Auto-Parallel operation is characterized by one-knob control, equal current sharing, and no internal wiring changes. Normally only supplies having the same model number may be connected in Auto-Parallel, since the units must have the same IR drop across the current monitoring resistors at full current rating.

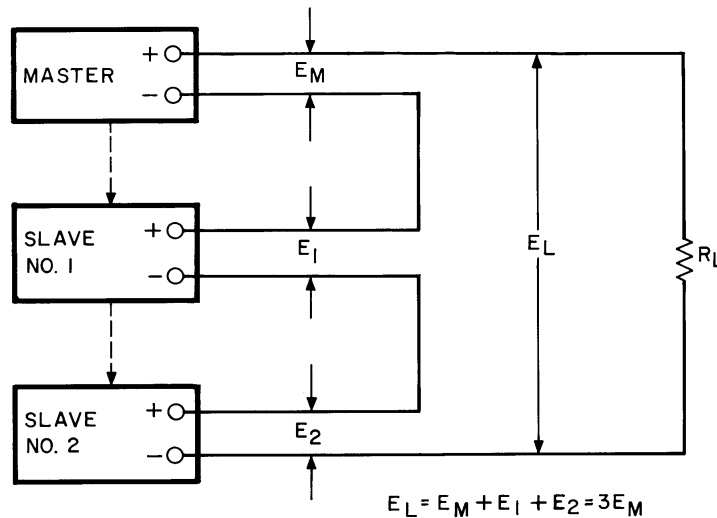
AUTO-PARALLEL POWER SUPPLY SYSTEM



AUTOMATIC (AUTO) SERIES OPERATION

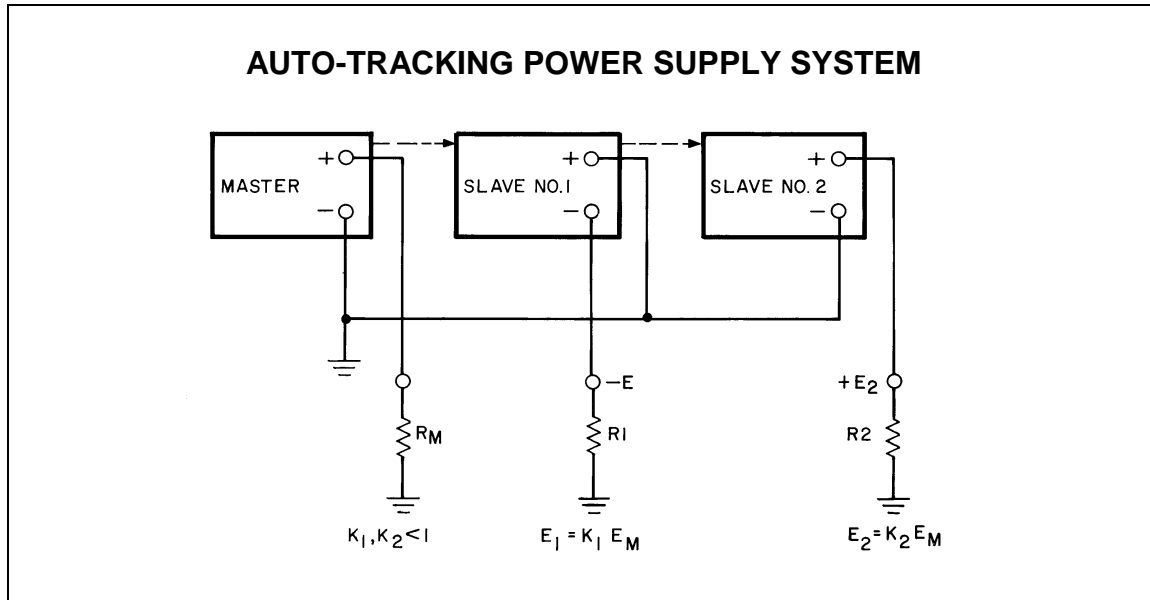
A master-slave series connection of the outputs of two or more power supplies used for obtaining a voltage greater than that obtainable from one supply. Auto-Series operation, which is permissible up to 300 volts off ground, is characterized by one-knob control, equal or proportional voltage sharing, and no internal wiring changes. Different model numbers may be connected in Auto-Series without restriction, provided that each slave is capable of Auto-Series operation.

AUTO-SERIES POWER SUPPLY SYSTEM



AUTOMATIC (AUTO) TRACKING OPERATION

A master-slave connection of two or more power supplies each of which has *one* of its output terminals in common with *one* of the output terminals of *all* of the other power supplies. Auto-Tracking operation is characterized by one-knob control, proportional output voltage from all supplies, and no internal wiring changes. Useful where simultaneous turn-up, turn-down or proportional control of all power supplies in a system is required.



CARRYOVER TIME

The period of time that a power supply's output will remain within specifications after loss of ac input power. It is sometimes called holding time.

COMPLEMENTARY TRACKING

A master-slave interconnection similar to Auto-Tracking except that only two supplies are used and the output voltage of the slave is always of opposite polarity with respect to the master. The amplitude of the slaves' output voltage is equal to, or proportional to, that of the master. A pair of complementary tracking supplies is often housed in a single unit.

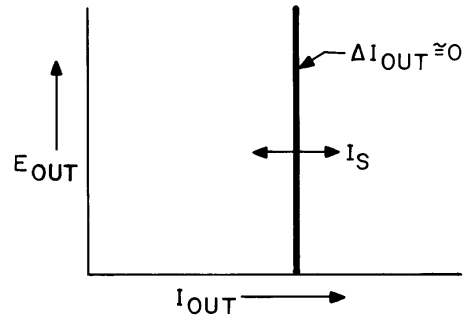
COMPLIANCE VOLTAGE

The output voltage rating of a power supply operating in the constant current mode (analogous to the output current rating of a supply operating in the constant voltage mode).

CONSTANT CURRENT POWER SUPPLY

A regulated power supply that acts to maintain its output current constant in spite of changes in load, line, temperature, etc. Thus, for a change in load resistance, the output current remains constant while the output voltage changes by whatever amount necessary to accomplish this.

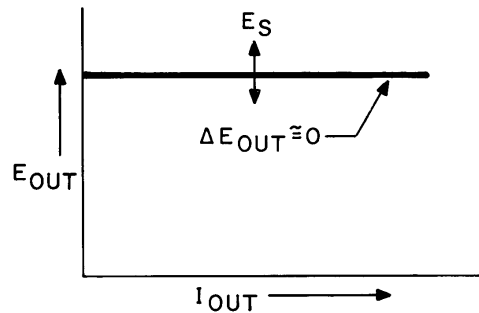
CONSTANT CURRENT POWER SUPPLY OUTPUT CHARACTERISTICS



CONSTANT VOLTAGE POWER SUPPLY

A regulated power supply that acts to maintain its output voltage constant in spite of changes in load, line, temperature, etc. Thus, for a change in load resistance, the output voltage of this type of supply remains constant while the output current changes by whatever amount necessary to accomplish this.

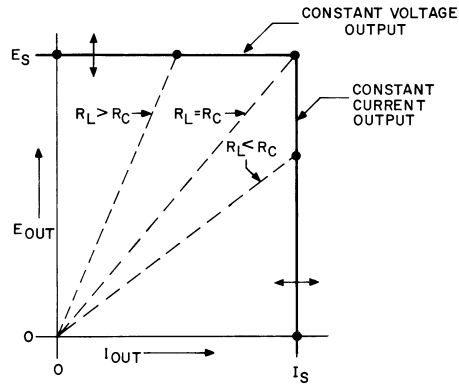
CONSTANT VOLTAGE POWER SUPPLY OUTPUT CHARACTERISTIC



CONSTANT VOLTAGE/CONSTANT CURRENT (CV/CC) POWER SUPPLY

A power supply that acts as a constant voltage source for comparatively large values of load resistance and as a constant current source for comparatively small values of load resistance. The automatic crossover or transition between these two modes of operation occurs at a "critical" or "crossover" value of load resistance $R_c = E_s/I_s$, where E_s is the front panel voltage control setting and I_s is the front panel current control setting.

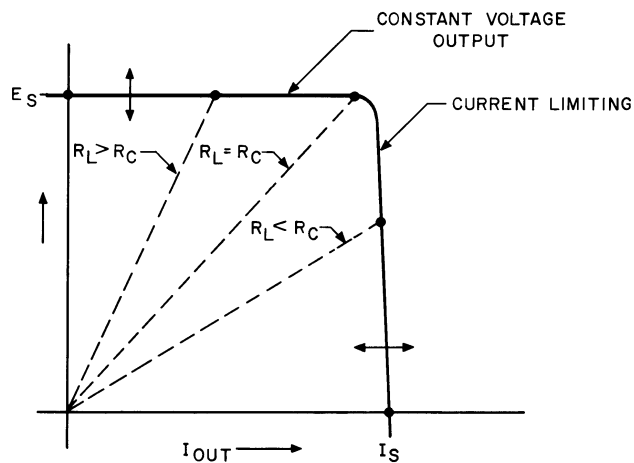
CONSTANT VOLTAGE/CONSTANT CURRENT (CV/CC) OUTPUT CHARACTERISTIC



CONSTANT VOLTAGE/CURRENT LIMITING (CV/CL) POWER SUPPLY

A supply similar to a CV/CC supply except for less precise regulation at low values of load resistance, i.e., in the current limiting region of operation. One form of current limiting is shown above.

CONSTANT VOLTAGE/ CURRENT LIMITING (CV/CL) OUTPUT CHARACTERISTIC

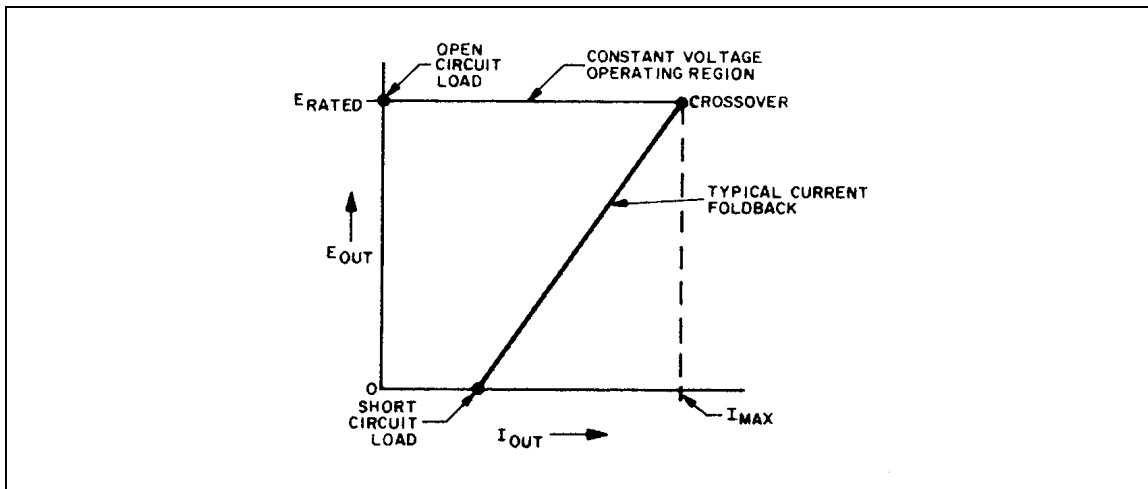


CROWBAR CIRCUIT

An overvoltage protection circuit that monitors the output voltage of the supply and rapidly places a short circuit (or crowbar) across the output terminals if a preset voltage level is exceeded.

CURRENT FOLDBACK

Another form of current limiting often used in fixed output voltage supplies. For load resistance smaller than the crossover value, the current, as well as the voltage, decreases along a foldback locus.



DRIFT

The maximum change in power supply output during a stated period of time (usually 8 hours) following a warm-up period, with all influence and control quantities (such as; load, ac line, and ambient temperature) maintained constant. Drift includes periodic and random deviations (PARD) over a bandwidth from dc to 20Hz. (At frequencies above 20Hz, PARD is specified separately.)

EFFICIENCY

Expressed in percent, efficiency is the total output power of the supply divided by the active input power. Unless otherwise specified, Agilent measures efficiency at maximum rated output power and at worst case conditions of the ac line voltage.

ELECTROMAGNETIC INTERFERENCE (EMI)

Any type of electromagnetic energy that could degrade the performance of electrical or electronic equipment. The EMI generated by a power supply can be propagated either by conduction (via the input and output leads) or by radiation from the units' case. The terms "noise" and "radio-frequency interference" (RFI) are sometimes used in the same context.

INRUSH CURRENT

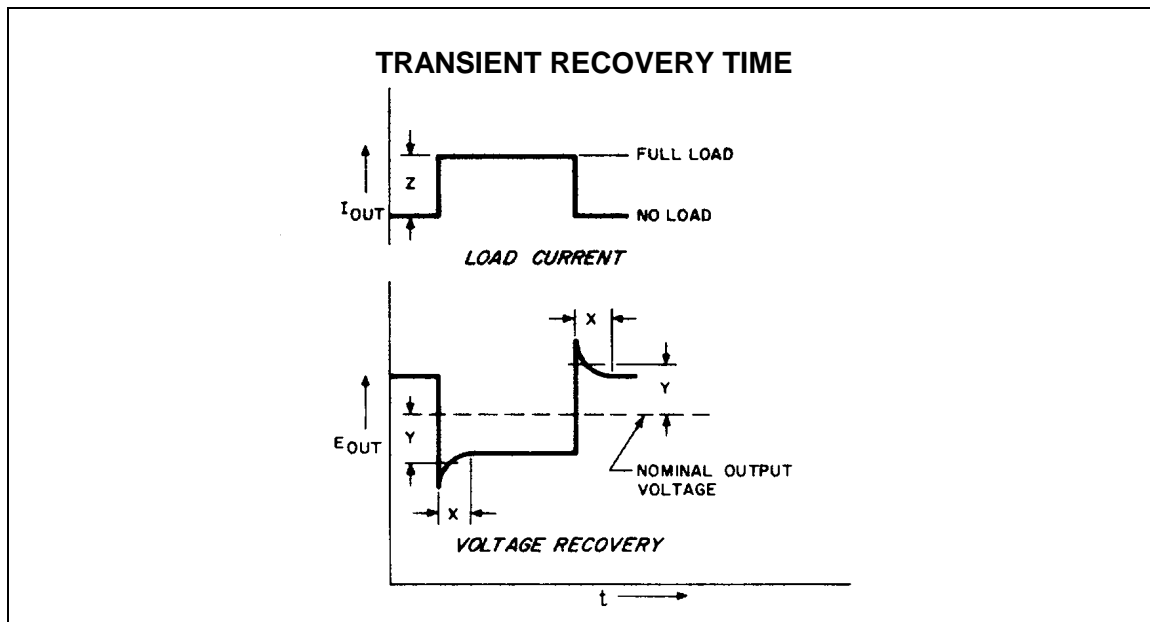
The maximum instantaneous value of the input current to a power supply when ac power is first applied.

LOAD EFFECT (LOAD REGULATION)

Formerly known as load regulation, load effect is the change in the steady-state value of the dc output voltage or current resulting from a specified change in the load current (of a constant-voltage supply) or the load voltage (of a constant-current supply), with all other influence quantities maintained constant.

LOAD EFFECT TRANSIENT RECOVERY TIME

Sometimes referred to as transient recovery time or transient response time, it is, loosely speaking, the time required for the output voltage of a power supply to return to within a level approximating the normal dc output following a sudden change in load current. More exactly, Load Transient Recovery Time for a CV supply is the time "X" required for the output voltage to recover to, and stay within "Y" millivolts of the nominal output voltage following a "Z" amp step change in load current --where:



- (1) "Y" is specified separately for each model but is generally of the same order as the load regulation specification.
- (2) The nominal output voltage is defined as the dc level halfway between the steady state output voltage before and after the imposed load change.
- (3) "Z" is the specified load current change, typically equal to the full load current rating of the

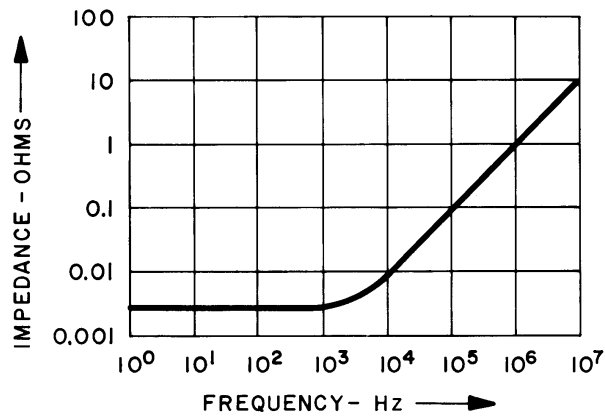
OFF-LINE POWER SUPPLY

A power supply whose input rectifier circuits operate directly from the ac power line, without transformer isolation.

OUTPUT IMPEDANCE OF A POWER SUPPLY

At any frequency of load change, $\Delta E_{OUT}/\Delta I_{OUT}$. Strictly speaking, the definition applies only for a sinusoidal load disturbance, unless the measurement is made at zero frequency (dc). The output impedance of an ideal constant voltage power supply would be zero at all frequencies, while the output impedance for an ideal constant current power supply would be infinite at all frequencies.

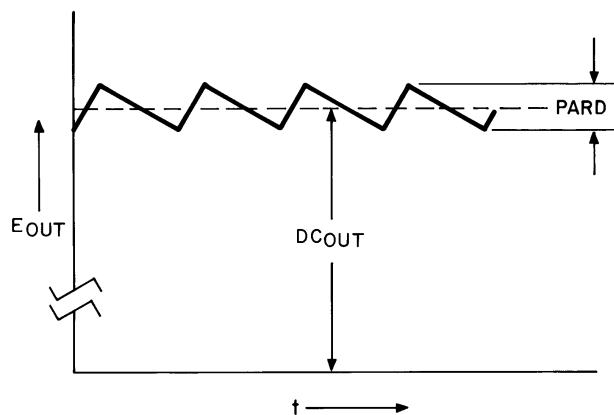
TYPICAL OUTPUT IMPEDANCE OF A CONSTANT VOLTAGE POWER SUPPLY



PARD (RIPPLE AND NOISE)

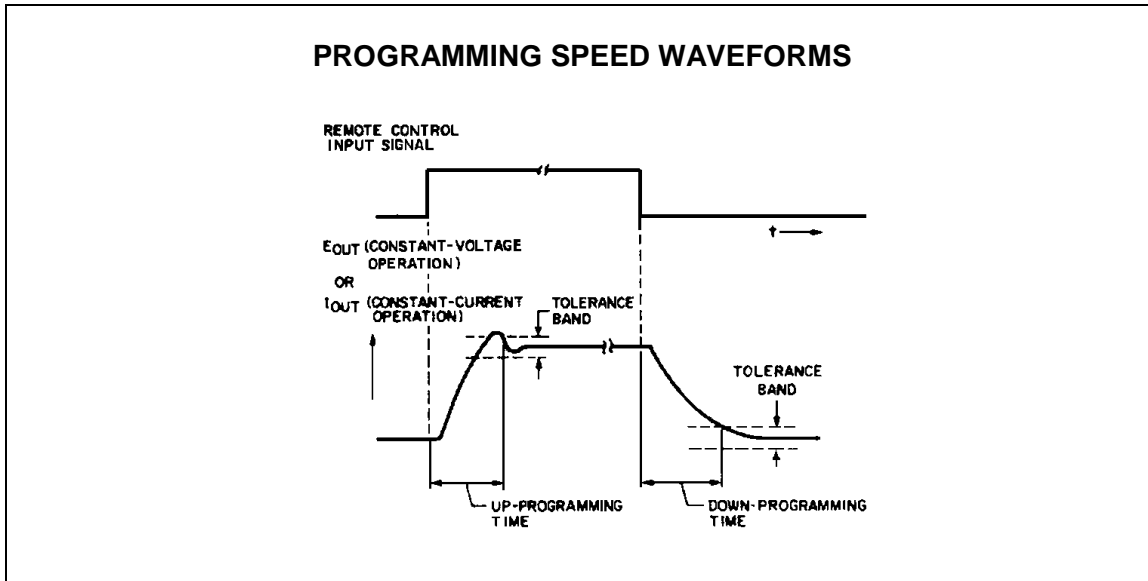
The term PARD is an acronym for "Periodic and Random deviation" and replaces the former term ripple and noise. PARD is the residual ac component that is superimposed on the dc output voltage or current of a power supply. It is measured over a specified bandwidth, with all influence and control quantities maintained constant. PARD is specified in rms and/or peak-to-peak values over a bandwidth of 20Hz to 20MHz. Fluctuations below 20Hz are treated as drift. Attempting to measure PARD with an instrument that has insufficient bandwidth may conceal high frequency spikes that could be detrimental to a load.

DC OUTPUT OF POWER SUPPLY AND SUPERIMPOSED PARD COMPONENT



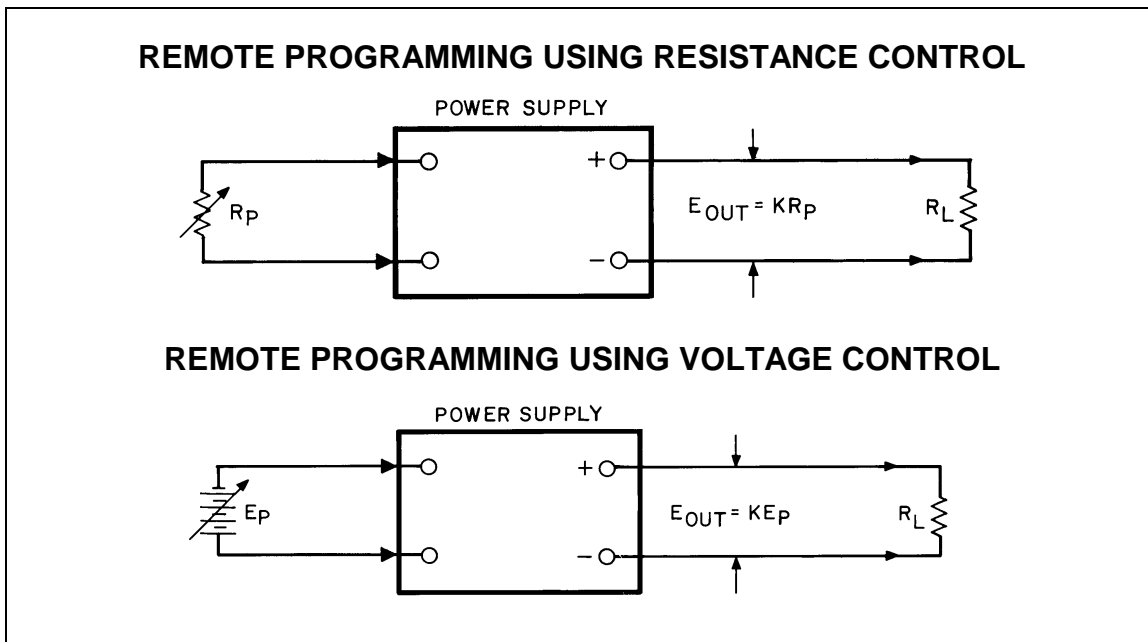
PROGRAMMING SPEED

The maximum time required for the output voltage or current to change from an initial value to within a tolerance band of the newly programmed value following the onset of a step change in the programming input signal. Because the programming speed depends on the loading of the supply and on whether the output is being programmed to a higher or lower value, programming speed is usually specified at no load and full load and in both the up and down directions.



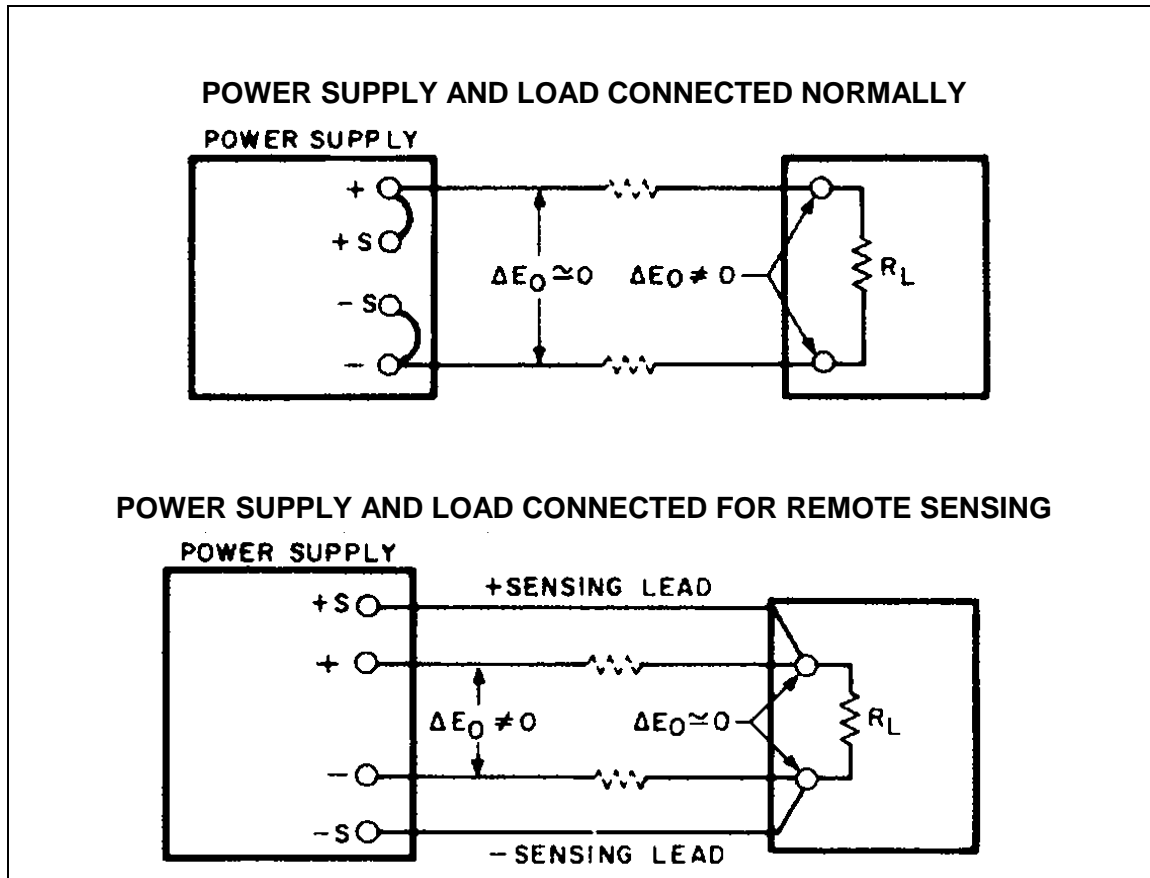
REMOTE PROGRAMMING (REMOTE CONTROL)

Control of the regulated output voltage or current of a power supply by means of a remotely varied resistance or voltage. The illustrations below show examples of constant voltage remote programming. CC applications are similar.



REMOTE SENSING (REMOTE ERROR SENSING)

A means whereby a constant voltage power supply monitors and regulates its output voltage directly at the *load* terminals (instead of the power supply output terminals). Two low current sensing leads are connected between the load terminals and special sensing terminals located on the power supply, permitting the power supply output voltage to compensate for IR drops in the load leads (up to a specified limit).



RESOLUTION

The smallest change in output voltage or current that can be obtained using the front panel controls.

SOURCE EFFECT (LINE REGULATION)

Formerly known as line regulation, source effect is the change in the steady-state value of the dc output voltage (of a CV supply) or current (of a CC supply) due to a specified change in the source (ac line) voltage, with all other influence quantities maintained constant. Source effect is usually measured after a "complete" change in the ac line voltage; from low line to high line or vice-versa.

STABILITY (SEE DRIFT)

TEMPERATURE COEFFICIENT

For a power supply operated at constant load and constant ac input, the maximum steady-state change in output voltage (for a constant voltage supply) or output current (for a constant current supply) for each degree change in the ambient temperature, with all other influence quantities maintained constant.

WARM UP TIME

The time interval required by a power supply to meet all performance specifications after it is first turned on.

PRINCIPLES OF OPERATION

Electronic power supplies are defined as circuits which transform electrical input power--either ac or dc--into output power--either ac or dc. This definition thus excludes power supplies based on rotating machine principles and distinguishes power supplies from the more general category of electrical power sources which derive electrical power from other energy forms (e. g., batteries, solar cells, fuel cells).

Electronic power supplies can be divided into four broad classifications:

- (1) ac in, ac out-line regulators and frequency changers
- (2) dc in, dc out-converters and dc regulators
- (3) dc in, ac out-inverters
- (4) ac in, dc out

This last category is by far the most common of the four and is generally the one referred to when speaking of a "power supply". Most of this Handbook is devoted to ac in/dc out power supplies, although a brief description of a dc-to-dc converter is presented later in this section.

Four basic outputs or modes of operation can be provided by dc output power supplies:

- *Constant Voltage*: The output voltage is maintained constant in spite of changes in load, line, or temperature.
- *Constant Current*: The output current is maintained constant in spite of changes in load, line, or temperature.
- *Voltage Limit*: Same as Constant Voltage except for less precise regulation characteristics.
- *Current Limit*: Similar to Constant Current except for less precise regulation.

As explained in this section, power supplies are designed to offer these outputs in various combinations for different applications.

CONSTANT VOLTAGE POWER SUPPLY

An ideal constant voltage power supply would have zero output impedance at all frequencies. Thus, as shown in Figure 1, the voltage would remain perfectly constant in spite of any changes in output current demanded by the load.

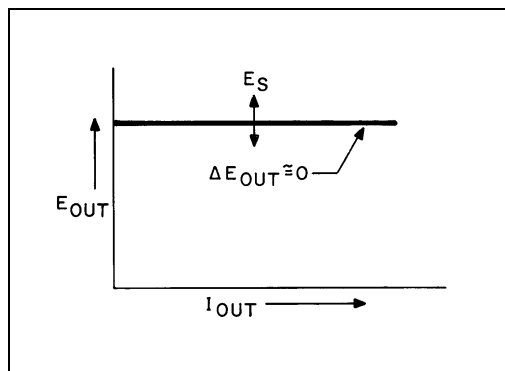


Figure 1. Ideal Constant Voltage Power Supply Output Characteristic

A simple unregulated power supply consisting of only a rectifier and filter is not capable of providing a ripple free dc output voltage whose value remains reasonably constant. To obtain even a coarse approximation of the ideal output characteristic of Figure 1, some type of control element (regulator) must be included in the supply.

Regulating Techniques

Most of today's constant voltage power supplies employ one of these four regulating techniques:

- a. Series (Linear)
- b. Preregulator/Series Regulator
- c. Switching
- d. SCR

Series Regulation

Series regulated power supplies were introduced many years ago and are still used extensively today. They have survived the transition from vacuum tubes to transistors, and modern supplies often utilize IC's, the latest in power semiconductors, and some sophisticated control and protection circuitry.

The basic design technique, which has not changed over the years, consists of placing a control element in series with the rectifier and load device. Figure 2 shows a simplified schematic of a series regulated supply with the series element depicted as a variable resistor. Feedback control circuits continuously monitor the output and adjust the series "resistance" to maintain a constant output voltage. Because the variable resistance of Figure 2 is actually one or more power transistors operating in the linear (class A) mode, supplies with this type of regulator are often called *linear* power supplies.

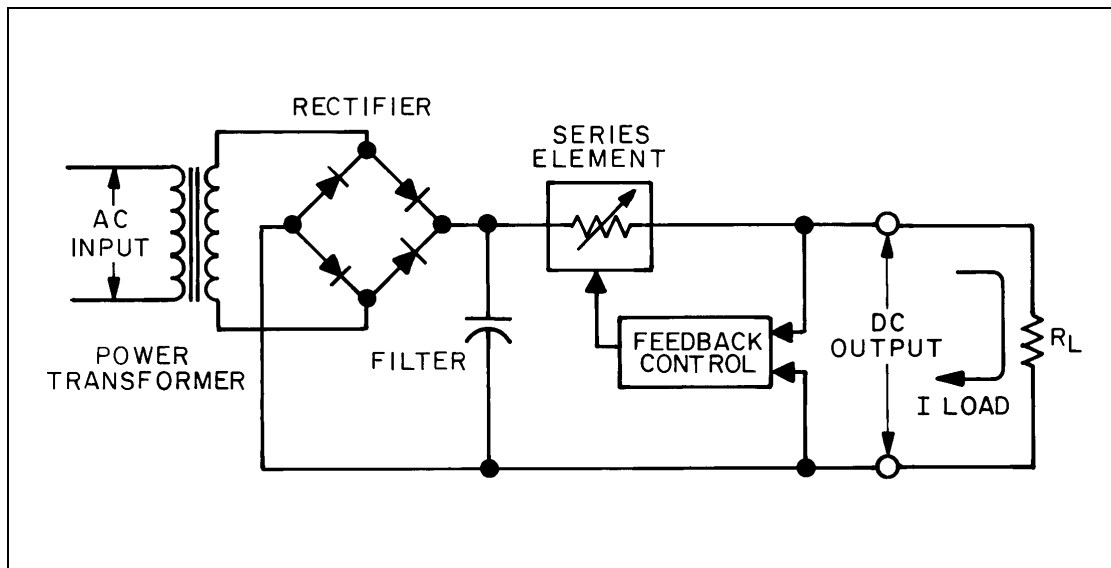


Figure 2. Basic Series Regulated Supply

Notice that the variable resistance element can also be connected in parallel with the load to form a shunt regulator. However, this type of regulator is seldom used because it must withstand full output voltage under normal operating conditions, making it less efficient for most applications.

Typical Series Regulated Power Supply

Figure 3 shows the basic feedback circuit principle used in Agilent series regulated power supplies. The ac input, after passing through a power transformer, is rectified and filtered. By feedback action, the series regulator alters its voltage drop to keep the regulated dc output voltage constant despite variations in the ac line, the load, or the ambient temperature.

The comparison amplifier continuously monitors the difference between the voltage across the voltage control resistor, R_P , and the output voltage. If these voltages are not equal, the comparison amplifier produces an amplified difference (error) signal. This signal is of the magnitude and polarity necessary to change the conduction of the series regulator which, in turn, changes the current through the load resistor until the output voltage equals the voltage (E_P) across the voltage control.

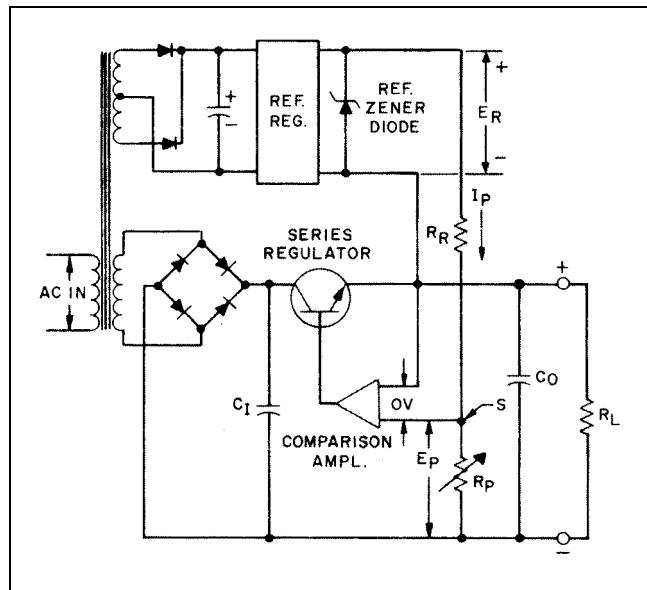


Figure 3. Series Regulated Constant Voltage Power Supply

Since the net difference between the two voltage inputs to the comparison amplifier is kept at zero by feedback action, the voltage across resistor R_R is also held equal to the reference voltage E_R . Thus the programming current I_P flowing through R_R is constant and equal to E_R/R_R . The input impedance of the comparison amplifier is very high, so essentially all of the current I_P flowing through R_R also flows through R_P . Because this programming current I_P is constant, E_P (and hence the output voltage) is variable and directly proportional to R_P . Thus, the output voltage becomes zero if R_P is reduced to zero ohms.

Of course, not all series regulated supplies are continuously adjustable down to zero volts. Those of the OEM modular type are used in system applications and, thus, their output voltage adjustment is restricted to a narrow range or slot. However, operation of these supplies is virtually identical to that just described.

Pros and Cons of Series Regulated Supplies

Series regulated supplies have many advantages and usually provide the simplest most effective means of satisfying high performance and low power requirements.

In terms of performance, series regulated supplies have very precise regulation properties and respond quickly

to variations of the line and load. Hence, their line and load regulation and transient recovery time* are superior to supplies using any of the other regulation techniques. These supplies also exhibit the lowest ripple and noise, are tolerant of ambient temperature changes, and with their circuit simplicity, have a high reliability.

*Power supply performance specifications are described in the Definitions section of this handbook.

The major drawback of the series regulated supply is its relatively low efficiency. This is caused mainly by the series transistor which, operating in the linear mode, continuously dissipates power in carrying out its regulation function. Efficiency (defined as the percentage of a supply's input power that it can deliver as useful output: P_{OUT}/P_{IN}), ranges typically between 30 and 45% for series regulated supplies. With the present need for energy conservation, this inefficiency is being scrutinized very closely.

For many of today's applications, the size and weight of linear supplies constitute another disadvantage. The power transformer, inductors, and filter capacitors necessary for operation at the 60Hz line frequency tend to be large and heavy, and the heat sink required for the inherently dissipative series regulator increases the overall size.

The Series Regulated Supply - An Operational Amplifier

The following analogy views the series regulated power supply as an operational amplifier. Considering the power supply as an operational amplifier can often give the user a quick insight into power supply behavior and help in evaluating a power supply for a specific application.

An operational amplifier (Figure 4) is a high gain dc amplifier that employs negative feedback. The power supply, like an operational amplifier, is also a high gain dc amplifier in which degenerative feedback is arranged so the operational gain is the ratio of two resistors.

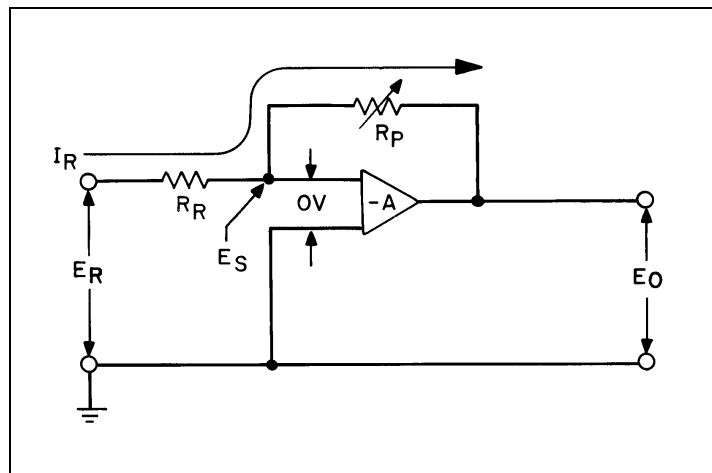


Figure 4. Operational Amplifier

As shown in Figure 4, the input voltage E_R is connected to the summing point via resistor R_R , and the output voltage is fed back to this same summing point through resistor R_P . Since the input impedance is very high, the input current to the amplifier can be considered negligibly small, and all of the input current I_R flows through both resistors R_R and R_P . As a result:

$$I_R = \frac{E_R - E_S}{R_R} = \frac{E_S - E_O}{R_P} \quad (1)$$

Then multiplying both sides by $R_R R_P$, we obtain

$$E_R R_P = E_S R_P + E_S R_R - E_O R_R \quad (2)$$

Figure 4 yields a second equation relating the amplifier output to its gain and voltage input

$$E_O = E_S (-A) \quad (3)$$

which when substituted in equation (2) and solved for E_S yields

$$E_S = \frac{E_R R_P}{R_P + R_R (1+A)} \quad (4)$$

Normally, the operational amplifier gain is very high, commonly 10,000 or more. In equation (4)

$$\text{If we let } A \rightarrow \infty \quad (5)$$

$$\text{Then } E_S \rightarrow 0$$

This important result enables us to say that the two input voltages of the comparison amplifier of Figure 4 (and Figure 3) are held equal by feedback action.

In modern well-regulated power supplies, the summing point voltage E_S is at most a few millivolts. Substituting $E_S = 0$ into equation (1) yields the standard gain expression for the operational amplifier

$$E_O = -E_R \frac{R_P}{R_R} \quad (6)$$

Notice that from equation 6 and Figure 4, doubling the value of R_P doubles the output voltage.

To convert the operational amplifier of Figure 4 into a power supply we must first apply as its input a fixed dc input reference voltage E_R (see Figure 5).

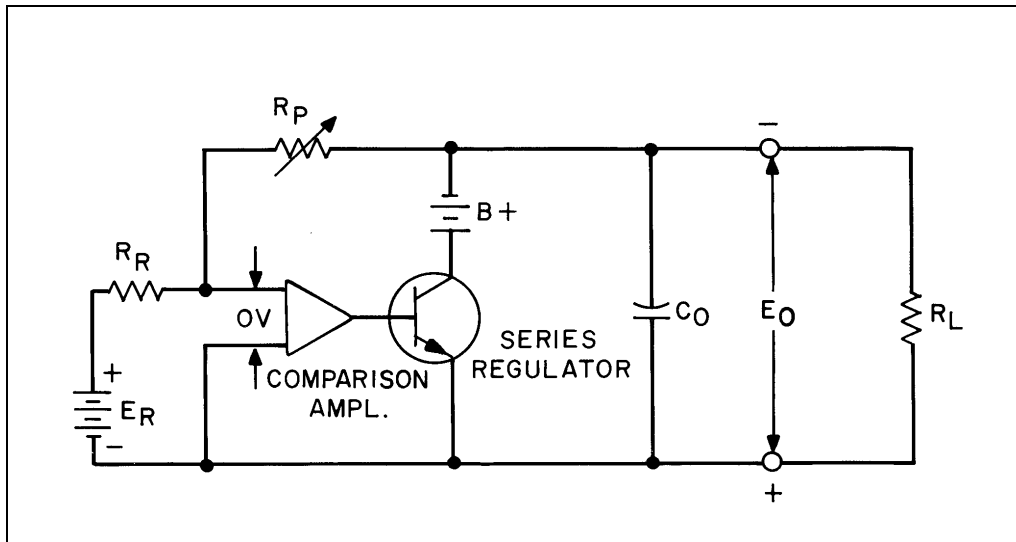


Figure 5. Operational Amplifier with DC Input Signal

A large electrolytic capacitor is then added across the output terminals of the operational amplifier. The impedance of this capacitor in the middle range of frequencies (where the overall gain of the amplifier falls off and becomes less than unity) is much lower than the impedance of any load that might normally be connected to the amplifier output. Thus, the phase shift through the output terminals is independent of the phase angle of the load applied and depends only on the impedance of the output capacitor at medium and high frequencies. Hence, amplifier feedback stability is assured and no oscillation will occur regardless of the type of load imposed.

In addition, the output stage inside the amplifier block in Figure 4 is removed and shown separately. After these changes have been carried out, the modified operational amplifier of Figure 5 results.

Replacing the batteries of Figure 5 with rectifiers and a reference zener diode results in the circuit of Figure 6. A point by point comparison of Figures 3 and 6 reveals that they have identical topology--all connections are the same, only the position of the components on the diagram differs!

Thus, a series regulated power supply is an operational amplifier. The input signal to this operational amplifier is the reference voltage. The output signal is regulated dc. The following chart summarizes the corresponding terms used for an operational amplifier and a power supply.

| Operational Amplifier | Constant Voltage Power Supply |
|-----------------------|-------------------------------|
| Input Signal | Reference Voltage |
| Output Signal | Regulated DC |
| Amplifier | Regulator |
| Output Stage | Series Regulating Transistor |
| Bias Power Supply | Rectifier/Filter |
| Gain Control | Output Voltage Control |

As a result of the specific method used in transforming an operational amplifier into a power supply, some restrictions are placed on the general behavior of the power supply. The most important of these are:

- (1) The large output capacitor C_o limits the bandwidth. *

- (2) The use of a fixed dc input voltage means that the output voltage can only be one polarity, the opposite of the reference polarity.**
- (3) The series regulator can conduct current in only one direction. This, together with the fact that the rectifier has a given polarity, means that the power supply can only *deliver* current to the load, and cannot *absorb* current from the load.

* Special design steps have been added to the design of most Agilent low voltage supplies to permit a significant reduction in the size of the output capacitor merely by changing straps on the rear terminal strip (see page 89).

** In Agilent's line of Bipolar Power Supply/Amplifiers this output capacitor is virtually eliminated by using a special feedback design. In addition, BPS/A instruments are capable of ac output, conduct current in either direction, and their outputs are continuously variable through zero (see page 54).

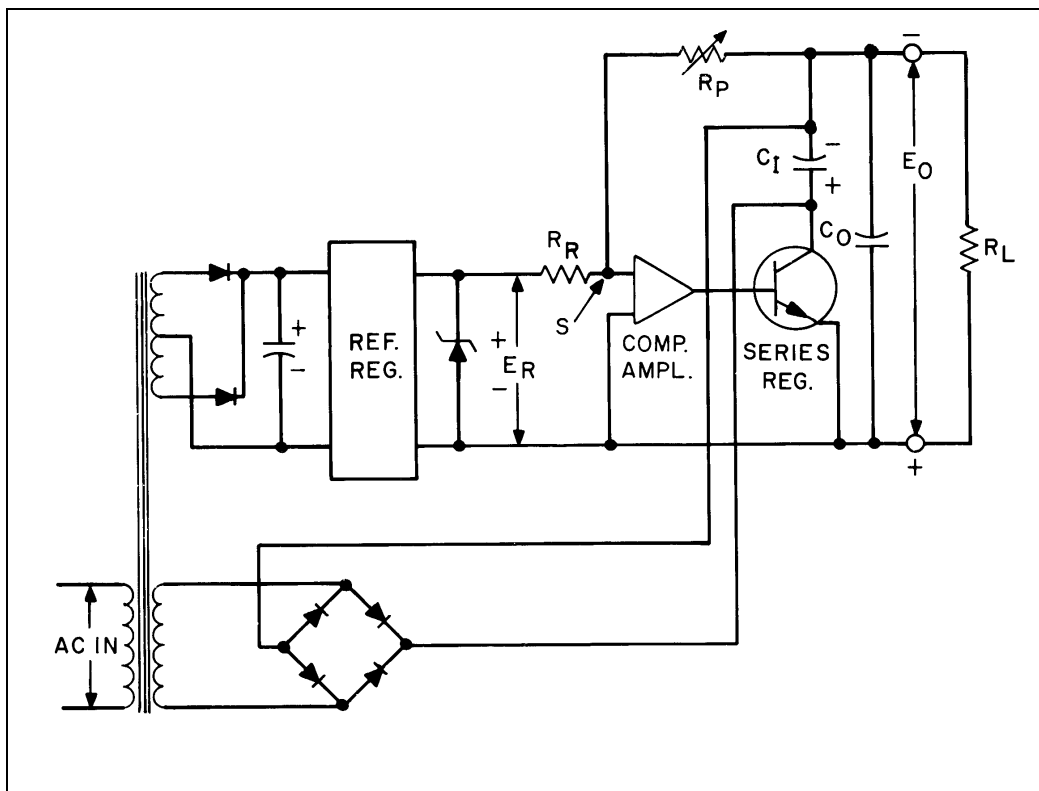


Figure 6. Operational Amplifier Representation of Adjustable CV Power Supply

Series Regulator with Preregulator

Adding a preregulator ahead of the series regulator allows the circuit techniques already developed for low power supplies to be extended readily to medium and higher power designs. The preregulator minimizes the power dissipated in the series regulating elements by maintaining the voltage drop across the regulator at a low and constant level. This improves efficiency by 10 to 20% while still retaining the excellent regulation and low ripple and noise of a series regulated supply. In addition, fewer series regulating transistors are required, thus

minimizing size increases.

Figure 7 shows an earlier Agilent power supply using SCR's as the preregulating elements. Silicon Controlled Rectifiers, the semiconductor equivalent of thyratons, are rectifiers which remain in a non-conductive state, even when forward voltage is provided from anode to cathode, until a positive trigger pulse is applied to a third terminal (the gate). Then the SCR "fires", conducting current with a very low effective resistance; it remains conducting after the trigger pulse has been removed until the forward anode voltage is removed or reversed. On more recent preregulator designs, the SCR's are replaced by a single triac, which is a bidirectional device. Whenever a gating pulse is received, the triac conducts current in a direction that is dependent on the polarity of the voltage across it. Triacs are usually connected in series with one side of the input transformer primary, while SCR's are included in two arms of the bridge rectifier as shown in Figure 7. No matter which type of element is used, the basic operating principle of the preregulator circuit is the same. During each half cycle of the input, the firing duration of the SCR's is controlled so that the bridge rectifier output varies in accordance with the demands imposed by the dc output voltage and current of the supply.

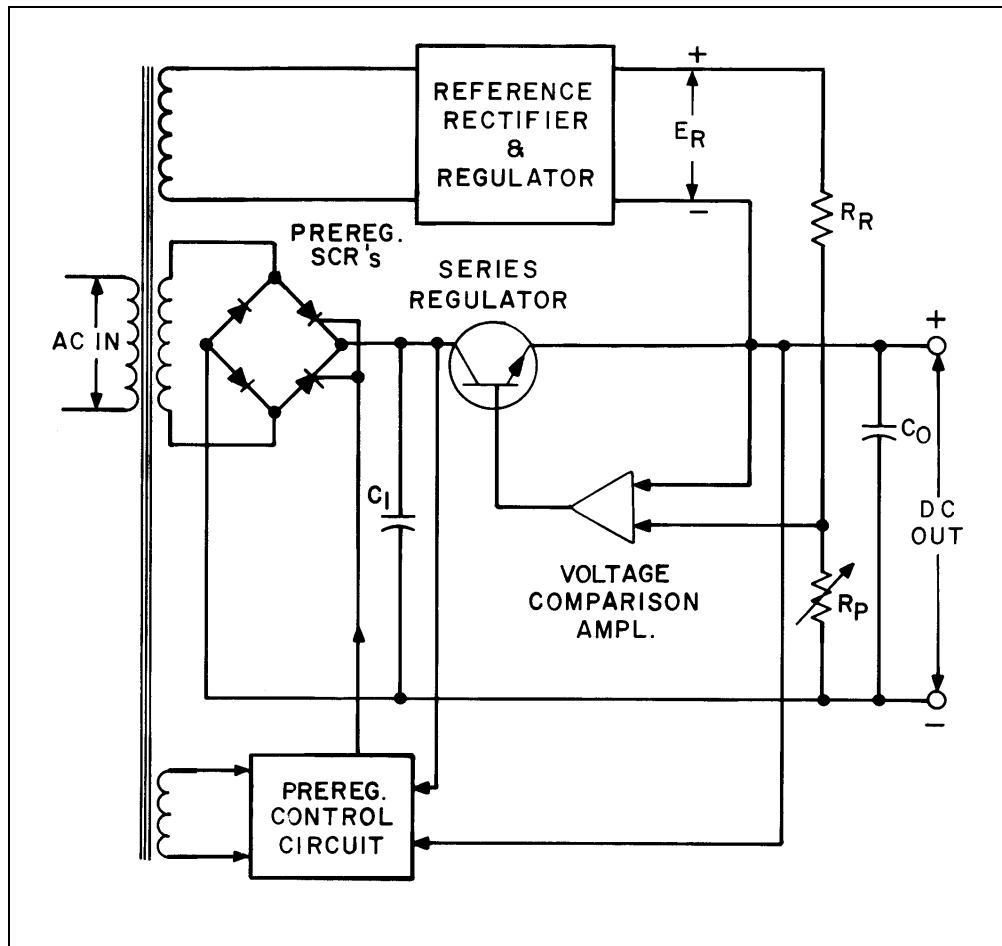


Figure 7. Constant Voltage Power Supply with SCR Preregulator

The function of the preregulator control circuit is to compute the firing time of the SCR trigger pulse for each

half cycle of input ac and hold the voltage drop across the series regulator constant in spite of changes in load current, output voltage, or input line voltage. Figure 8 shows how varying the conduction angle of the SCR's affects the amplitude of the output voltage and current delivered by the SCR bridge rectifier of Figure 7. An earlier firing point results in a greater fraction of halfcycle power from the bridge and a higher dc level across the input filter capacitance. For later firing times, the dc average is decreased.

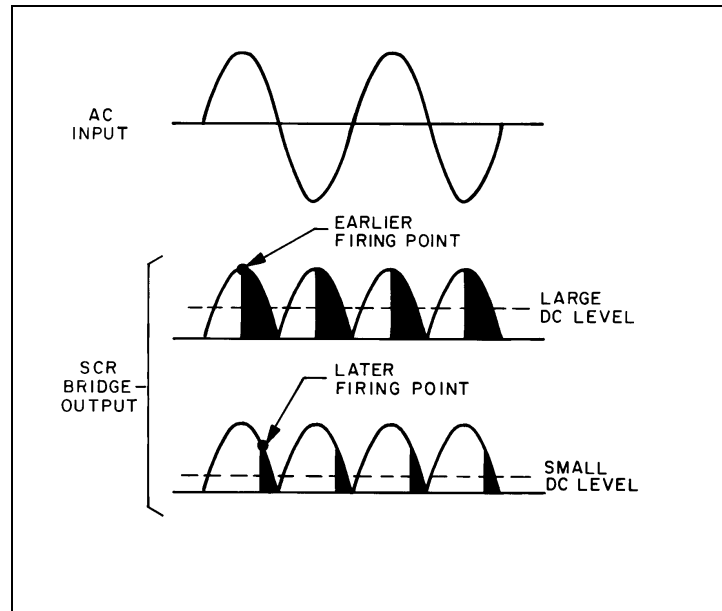


Figure 8. SCR Conduction Angle Control of Preregulator Output

The reaction time of an Agilent preregulator control circuit is much faster than earlier SCR or magamp circuits. Sudden changes in line voltage or load current result in a correction in the timing of the next SCR trigger pulse, which can be no farther away than one half cycle (approximately 8 milliseconds for a 60Hz input). The large filter capacitance across the rectifier output allows only a small voltage change to occur during any 8 millisecond interval, avoiding the risk of transient drop-out and loss of regulation due to sudden changes in load or line. The final burden of providing precise and rapid output voltage regulation rests with the series regulator, while the preregulator handles the coarser and slower regulation demands.

The preregulator SCRs, together with the leakage inductance of the power transformer, limit high inrush currents during turn-on. A slow-start circuit allows gradual turn-on of the SCRs while the leakage inductance acts as a small filter choke in series with the SCRs. Thus, both the supply's input components and other ac connected instruments are protected from surge currents.

Switching Regulation

The rising cost of electricity and continuous reductions in the size of many electronic devices have stimulated recent developments in switching regulated power supplies. These supplies are smaller, lighter, and dissipate less power than equivalent series regulated or series/preregulated supplies.

Although basic switching regulator technology and its advantages have been known for years, a lack of the necessary switching transistors, rectifier diodes, and filter capacitors caused certain performance problems that were costly to minimize. As a result, these supplies were used only in airborne, space, or other applications where cost was a secondary consideration to weight and size. However, the advent of high-voltage, fast

switching power transistors, fast recovery diodes, and new filter capacitors with lower series resistance and inductance, have propelled switching supplies to a position of great prominence in the power supply industry. Presently, switching supplies still have a strong growth potential and are constantly changing as better components become available and new design techniques emerge. Concurrently, performance is improving, costs are dropping, and the power level at which switching supplies are competitive with linear supplies continues to decrease. Before continuing with this discussion, a look at a basic switching supply circuit will help to explain some of the reasons for its popularity.

Basic Switching Supply

In a switching supply, the regulating elements consist of series connected transistors that act as rapidly opened and closed switches (Figure 9). The input ac is first converted to unregulated dc which, in turn, is "chopped" by the switching element operating at a rapid rate (typically 20KHz). The resultant 20KHz pulse train is transformer-coupled to an output network which provides final rectification and smoothing of the dc output. Regulation is accomplished by control circuits that vary the on-off periods (duty cycle) of the switching elements if the output voltage attempts to change.

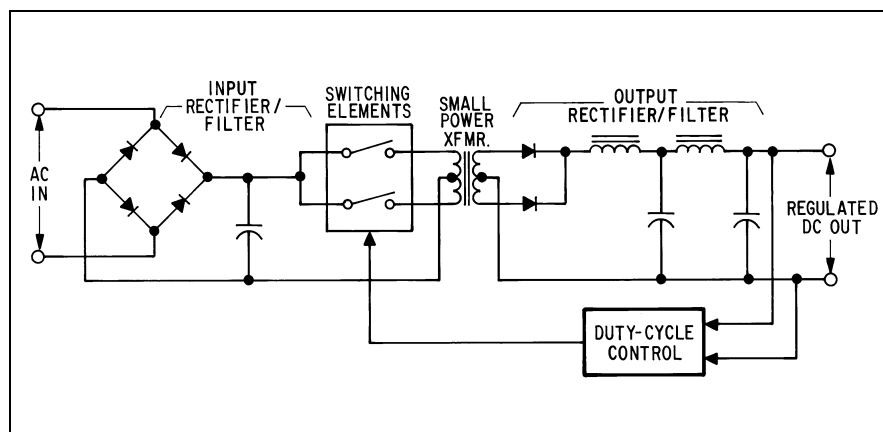


Figure 9. Basic Switching Supply

Operating Advantages and Disadvantages. Because switching regulators are basically on/off devices, they avoid the higher power dissipation associated with the rheostat-like action of a series regulator. The switching transistors dissipate very little power when either saturated (on) or nonconducting (off) and most of the power losses occur elsewhere in the supply. Efficiencies ranging from 65 to 85% are typical for switching supplies, as compared to 30 to 45% efficiencies for linear types. With less wasted power, switching supplies run at cooler temperatures, cost less to operate, and have smaller regulator heat sinks.

Significant size and weight reductions for switching supplies are achieved because of their high switching rate. The power transformer, inductors, and filter capacitors for 20KHz operation are much smaller and lighter than those required for operation at power line frequencies. Typically, a switching supply is less than one-third the size and weight of a comparable series regulated supply.

Besides high efficiency and reduced size and weight, switching supplies have still another benefit that suits the needs of the modern environment. That is their ability to operate under low ac input voltage (brownout) conditions and a relatively long carryover (or holdup) of their output if input power is lost momentarily. The switching supply is superior to the linear supply in this regard because more energy can be stored in its input filter capacitance. To provide the low voltage, high current output required in many of today's applications, the series regulated supply first steps down the input ac and energy storage must be in a filter capacitor with a *low*

voltage across it. In a switching supply, however, the input ac is rectified directly (Figure 9) and the filter capacitor is allowed to charge to a much higher voltage (the peaks of the ac line). Since the energy stored in a capacitor = $0.5CV^2$, while its volume (size) tends to be proportional to CV , storage capability is better in a switching supply.

Although its advantages are impressive, a switching supply does have some inherent operating characteristics that could limit its effectiveness in certain applications. One of these is that its transient recovery time (dynamic load regulation) is slower than that of a series regulated supply. In a linear supply, recovery time is limited only by the speeds of the semiconductors used in the series regulator and control circuitry. In a switching supply, however, recovery is limited mainly by the inductance in the output filter. This may or may not be of significance to the user, depending upon the specific application.

Also, electro-magnetic interference (EMI) is a natural byproduct of the on-off switching within these supplies. This interference can be conducted to the load (resulting in higher output ripple and noise), it can be conducted back into the ac line, and it can be radiated into the surrounding atmosphere. For this reason, all Agilent Technologies switching supplies have *built-in* shields and filter networks that substantially reduce EMI and control output ripple and noise.

Reliability has been another area of concern with switching supplies. Higher circuit complexity and the relative newness of switching regulator technology have in the past contributed to a diminished confidence in switching supply reliability. Since their entry into this market, Agilent has placed a strong emphasis on the reliability of their switching supplies. Field failures have been minimized by such factors as careful component evaluation, MTBF life tests, factory "burn-in" procedures, and sound design practices.

Typical Switching Regulated Power Supplies

Currently, switching supplies are widely used by Original Equipment Manufacturers (OEMs). This class of switching supply provides a high degree of efficiency and compactness, moderate-to-good regulation and ripple characteristics, and a semi-fixed constant voltage output.

Figure 10 shows one of Agilent's higher power, yet less complex, OEM switching supplies. Regulation is accomplished by a pair of push-pull switching transistors operating under control of a feedback network consisting of a pulse width modulator and a voltage comparison amplifier. The feedback elements control the ON periods of the switching transistors to adjust the duty cycle of the bipolar waveform (E) delivered to the output rectifier/filter. Here the waveform is rectified and averaged to provide a dc output level that is proportional to the duty cycle of the waveform. Hence, increasing the ON times of the switches increases the output voltage and vice-versa.

The waveforms of Figure 10 provide a more detailed picture of circuit operation. The voltage comparison amplifier continuously compares a fraction of the output voltage with a stable reference (EREF) to produce the VCONTROL level for the turn-on comparator. This device compares the VCONTROL input with a triangular ramp waveform (A) occurring at a fixed 40KHz rate. When the ramp voltage is more positive than the control level, a turn-on signal (B) is generated. Notice that an increase or decrease in the VCONTROL voltage varies the width of the output pulses at B and thus the ON time of the switches.

Steering logic within the modulator chip causes switching transistors Q1 and Q2 to turn on alternately, so that each switch operates at one-half the ramp frequency (20KHz).

Included, but not shown, in the modulator chip are additional circuits that establish a minimum "dead time" (off time) for the switching transistors. This ensures that both switching transistors cannot conduct simultaneously during maximum duty cycle conditions.

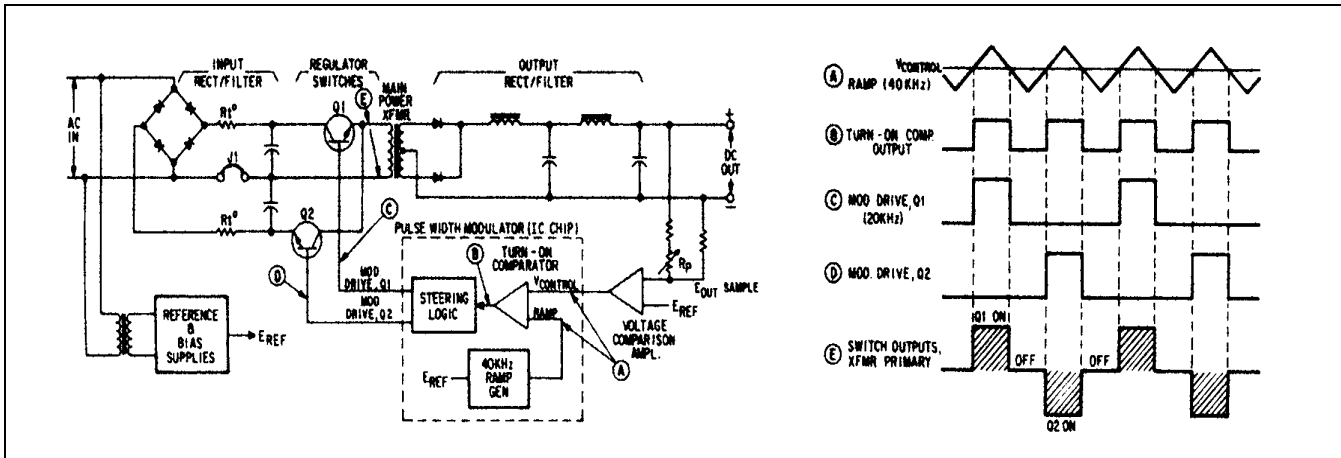


Figure 10. Switching Regulated Constant Voltage Supply

Ac Inrush Current Protection. Because the input filter capacitors are connected directly across the rectified line, some form of surge protection must be provided to limit line inrush currents at turn-on. If not controlled, large inrush surges could trip circuit breakers, weld switch contacts, or affect the operation of other equipment connected to the same ac line. Protection is provided by a pair of thermistors in the input rectifier circuit. With their high negative temperature coefficient of resistance, the thermistors present a relatively high resistance when cold (during the turn-on period), and a very low resistance after they heat up.

A shorting strap (J1) permits the configuration of the input rectifier-filter to be altered for different ac inputs. For a 174-250Vac input, the strap is removed and the circuit functions as a conventional full-wave bridge. For 87-127Vac inputs, the strap is installed and the input circuit becomes a voltage doubler.

Switching Frequencies, Present and Future. Presently, 20KHz is a popular repetition rate for switching regulators because it is an effective compromise with respect to size, cost, dissipation, and other factors. Decreasing the switching frequency would bring about the return of the acoustical noise problems that plagued earlier switching supplies and would increase the size and cost of the output inductors and filter capacitors.

Increasing the switching frequency, however, would result in certain benefits; including further size reductions in the output magnetics and capacitors. Furthermore, transient recovery time could be decreased because a higher operating frequency would allow a proportional decrease in the output inductance, which is the main constraint in recovery performance.

Unfortunately, higher frequency operation has certain drawbacks. One is that filter capacitors have an Equivalent Series Resistance and Inductance (ESR and ESL) that limits their effectiveness at high frequencies. Another disadvantage is that power losses in the switching transistors, inductors, and rectifier diodes increase with frequency. To counteract these effects, critical components such as filter capacitors with low ESRs, fast recovery diodes, and high-speed switching transistors are required. Some of these components are already available, others are not. Switching transistors are improving, but remain one of the major problems at high frequencies. However, further improvements in high-speed switching devices, such as the new power Field Effect Transistors (FETs) would make high frequency operation and its associated benefits, a certainty for

future switching supplies.

Preregulated Switching Supply. Figure 11 shows another higher power switching supply similar to the circuit of Figure 10 except for the addition of a triac preregulator. Operation of this preregulator is similar to the previously described circuit of Figure 7. Briefly, the dc input voltage to the switches is held relatively constant by a control circuit which issues a phase adjusted firing pulse to the triac once during each half-cycle of the input ac. The control circuit compares a ramp function to a rectified ac sinewave to compute the proper firing time for the triac.

Although the addition of preregulator circuitry increases complexity, it provides three important benefits. First, by keeping the input to the switches constant, it permits the use of lower voltage, more readily available switching transistors. The coarse preregulation it provides also allows the **main regulator to achieve** a finer regulation. Finally, through the use of slow-start circuits, the initial conduction of the triac is controlled; providing an effective means of limiting inrush current.

Note that the preregulator triac is essentially a switching device and, like the main regulator switches, does not absorb a large amount of power. Hence, the addition of the preregulator does not significantly reduce the overall efficiency of this supply.

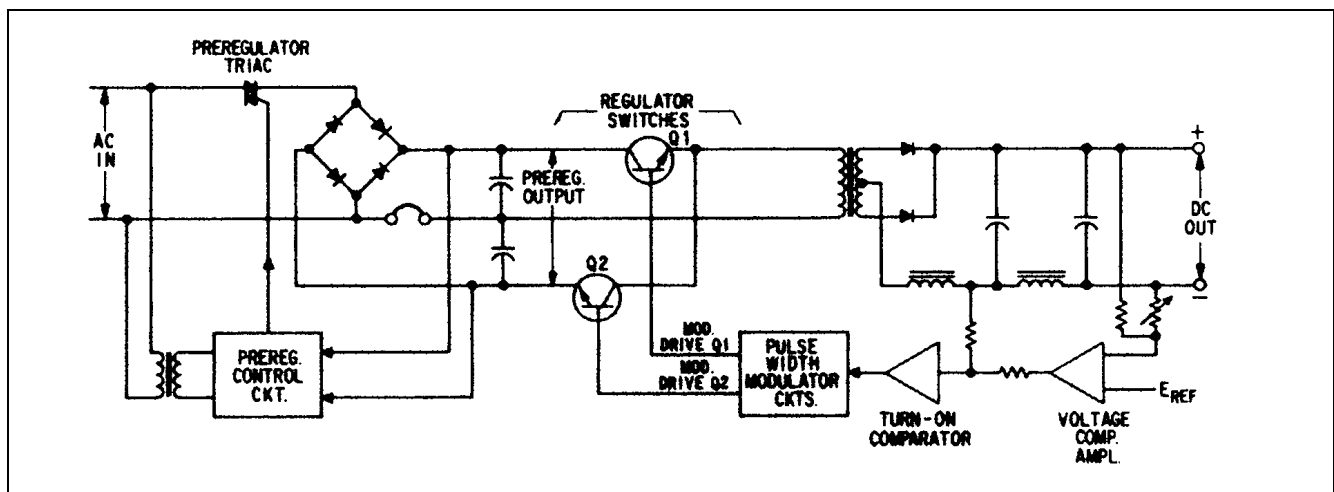


Figure 11. Switching Supply with Preregulator.

Single Transistor Switching Regulator. At lower output power levels, a one transistor switch becomes practical. The single transistor regulator of Figure 12 can receive a dc input from either one of two sources without a change in its basic configuration. For ac-to-dc requirements, the regulator is connected to a line rectifier and SCR preregulator and for dc-to-dc converter applications it is connected directly to an external dc source.

Like the previous switching supplies, the output voltage is controlled by varying the ON times of the regulator switch. The switch is turned on by the leading edge of each 20KHz clock pulse and turned off by the pulse width modulator at a time determined by output load conditions.

While the regulating transistor is conducting, the half-wave rectifier diode is forward biased and power is transferred to the output filter and the load. When the regulator is turned off, the "flywheel" diode conducts, sustaining current flow to the load during the off period. A flywheel diode (sometimes called a freewheeling or

catch diode) was not required in the two transistor regulators of Figures 10 and 11 because of their full-wave rectifier configuration.

Another item not found in the previous regulators is "flyback" diode CR_F . This diode is connected to a third transformer winding which is bifilar wound with the primary. During the off periods of the switch, CR_F is forward biased, allowing the return of surplus magnetizing current to the input filter, and thus preventing saturation of the transformer core. This is an important function because core saturation often leads to the destruction of switching transistors. In the previously described two transistor push-pull circuits, core saturation is easier to avoid because magnetizing current is applied to the core in both directions. Nevertheless, matched switching transistors and balancing capacitors must still be used in these configurations to ensure that core saturation does not occur.

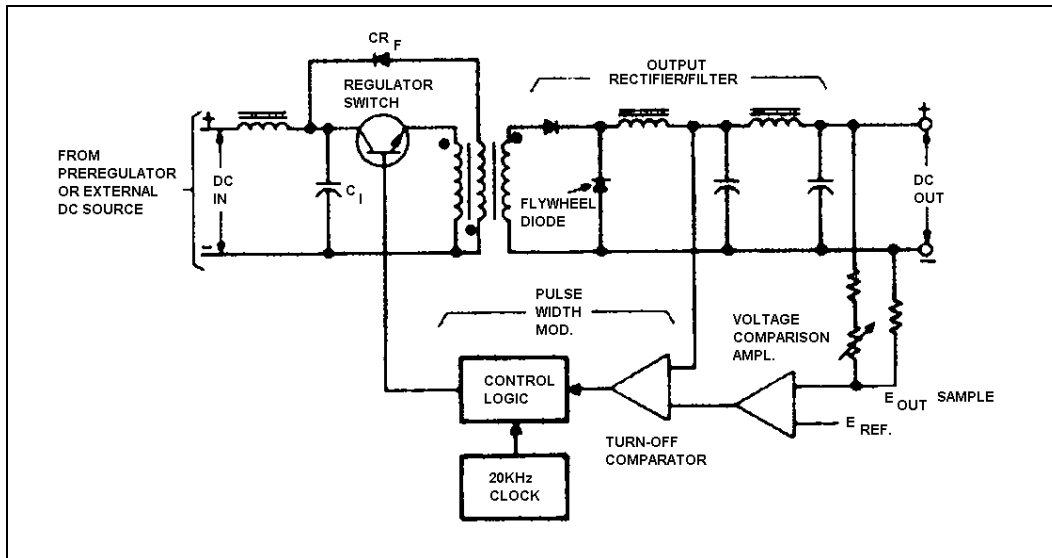


Figure 12. Single Transistor Switching Regulator

Summary of Basic Switching Regulator Configurations

Figure 13 shows three basic switching regulator configurations that are often used in today's power supplies. Configuration A is of the push-pull class and this version was used in the switching supplies shown in Figures 10 and 11. Other variations of this circuit are used also, including two-transistor balanced push-pull and four transistor bridge circuits.

As a group, push-pull configurations are the most effective for low-voltage, high-power and high performance applications. Push-pull circuits have the advantage of a ripple frequency that is double that of the other two basic configurations and, of course, output ripple is inherently lower.

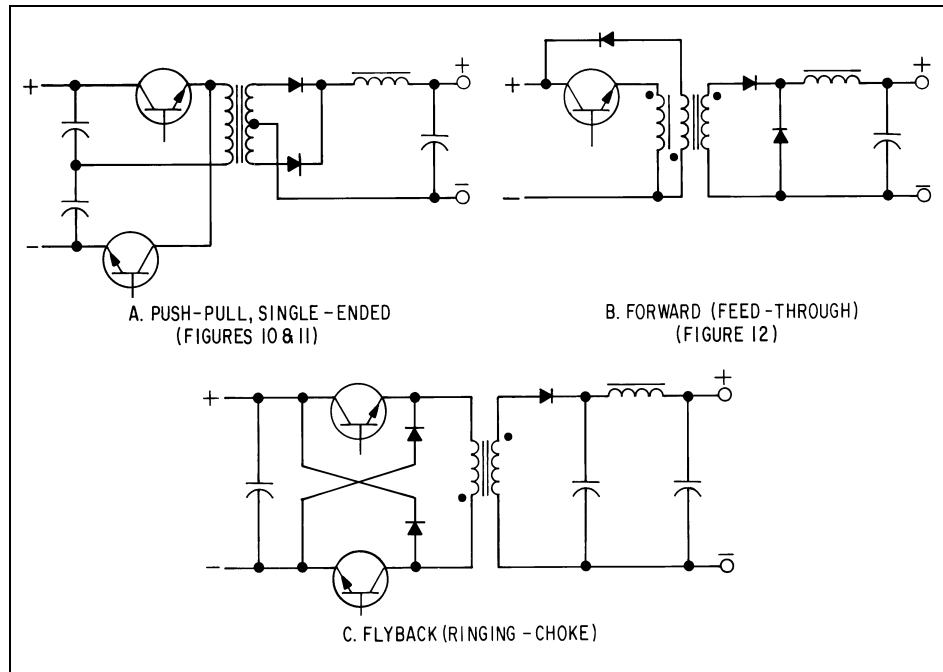


Figure 13. Basic Switching Regulator Configurations

Configuration B is a useful alternative to push-pull operation for lower power requirements. It is called a forward, or feed-through, converter because energy is transferred to the power transformer secondary immediately following turn-on of the switch. Although the ripple frequency is inherently lower, output ripple amplitude can be effectively controlled by the choke in the output filter. Two-transistor forward converters also exist wherein both transistors are switched simultaneously. They provide the same output power as the single transistor versions, but the transistors need handle only half the peak voltage.

Configuration C is known as a flyback, or ringing choke, converter because energy is transferred from primary to secondary when the switches are off (during flyback). In the example, two transistors are used and both are switched simultaneously. While the switches are on, the output rectifier is reverse biased and current in the primary inductance rises in a linear manner. When the switches are turned off, the collapsing magnetic field reverses the voltage across the primary, and the previously stored energy is transferred to the output filter and load. The two diodes in the primary protect the transistors from inductive surges that occur at turn-off.

Flyback techniques have long been used as a means of generating high voltages (e. g., the high voltage power supply in television receivers) and, as you might expect, this configuration is capable of providing higher output voltages than the other two methods. Also, the flyback regulator provides a greater variation of output voltage with respect to changes in duty cycle. Hence, the flyback configuration is the most obvious choice for high, and variable, output voltages while the push-pull and forward configurations are more suitable for providing low, and fixed, output voltages.

SCR Regulation

SCR regulation techniques permit the design of low cost, compact power supplies with efficiencies of approximately 70%. Their main disadvantages are a higher ripple and noise, a less precise regulation, and a slower transient recovery time relative to the other three regulation methods. However, these supplies are widely used in high power applications where a lower degree of performance can be tolerated.

Figure 14 illustrates a typical SCR regulated supply whose output is continuously variable down to near zero volts. Circuit operation is very similar to the SCR preregulators described previously, except that the SCR control circuit receives its input from the voltage comparison amplifier. The control circuit computes the firing time for the SCRs, varying this in a manner which will result in a constant output despite changes in line voltage or load resistance. The control circuit is capable of making a nearly complete correction within the first half-cycle (8.3msec) following a disturbance.

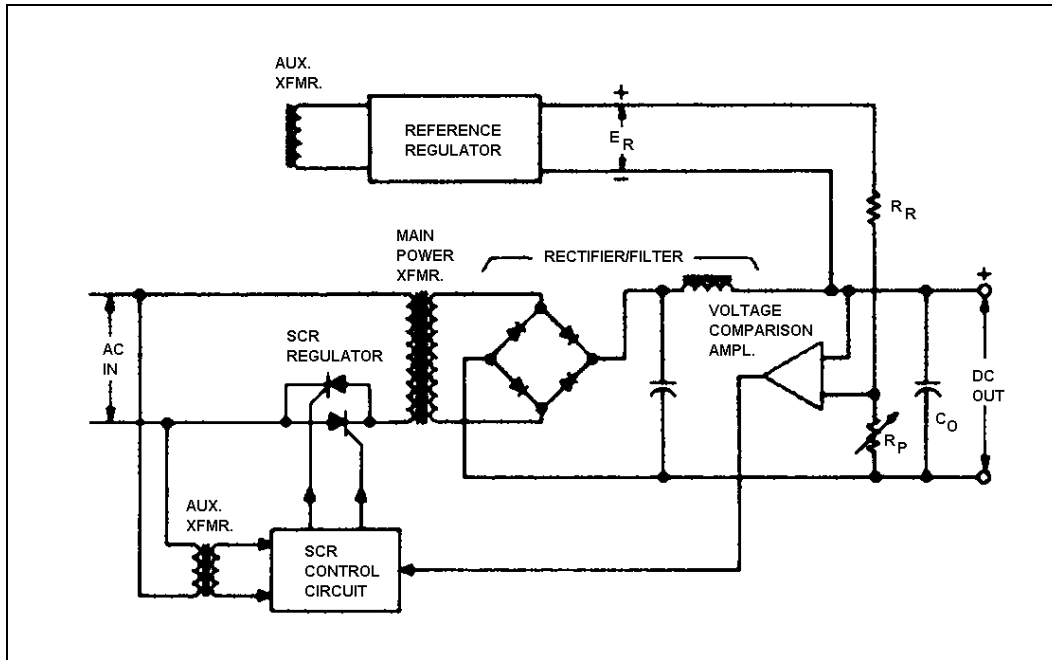


Figure 14. SCR Regulated Power Supply

CONSTANT CURRENT POWER SUPPLY

The ideal constant current power supply exhibits an infinite output impedance (zero output admittance) at all frequencies. Thus, as Figure 15 indicates, the ideal constant current power supply would accommodate a load resistance change by altering its output voltage by just the amount necessary to maintain its output current at a constant value.

Constant current power supplies find many applications in semiconductor testing and circuit design, and are also well suited for supplying fixed currents to focus coils or other magnetic circuits, where the current must remain constant despite temperature-induced changes in the load resistance. Just as loads for constant voltage power supplies are always connected in parallel (never in series), loads for constant current power supplies must always be connected in series (never in parallel).

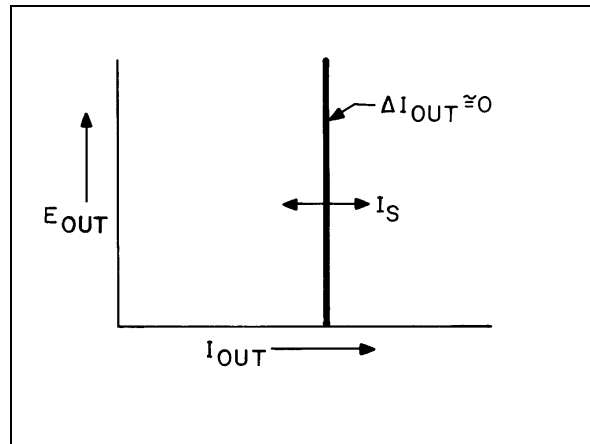


Figure 15. Ideal Constant Current Power Supply Output Characteristic

Any one of the four basic constant voltage regulators can also furnish a constant current output provided that its output voltage can be varied down to zero, or at least over the output voltage range required by the load. Besides the regulator, the reference and control circuits required for constant current operation are nearly identical to those used for constant voltage operation. As a result of these many common elements, most constant current configurations are combined with a constant voltage circuit in one Constant Voltage/Constant Current (CV/CC) power supply.

The following paragraphs describe the current feedback loop generally employed in Agilent Technologies CV/CC supplies. This particular approach to constant current, while sufficiently effective for most applications, does have limitations that are caused by its simplified nature. For example, although output capacitor C_o minimizes output ripple and improves feedback stability, it also increases the programming response time and decreases the output impedance of the supply; a decrease in output impedance inherently results in degradation of regulation. If precise regulation, rapid programming, and high output impedance are required, improvements on the basic feedback loop are necessary as described under Precision Constant Current Sources later in this section.

Figure 16 illustrates the elements constituting a basic constant current power supply using a linear type regulator. As mentioned previously, many of these elements are identical to those of a constant voltage supply with the only basic difference being in their output sensing techniques. While the constant voltage supply monitors the output voltage across its output terminals, the constant current supply monitors the output current by sensing the voltage drop across a current monitoring resistor (RM) connected in series with the load .

The current feedback loop acts continuously to keep the two inputs to the comparison amplifier equal. These inputs are the voltage drop across the front panel current control and the IR drop developed by load current I_L flowing through current monitoring resistor RM. If the two voltages are momentarily unequal, the comparison amplifier output changes the conduction of the series regulator, which in turn, corrects the load current (voltage drop across RM) until the error voltage at the comparison amplifier input is reduced to zero. Momentary unbalances at the comparison amplifier are caused either by adjustment of current control R_a , or by instantaneous output current changes due to external disturbances. Whatever the cause, the regulator action of the feedback loop will increase or decrease the load current until the change is corrected.

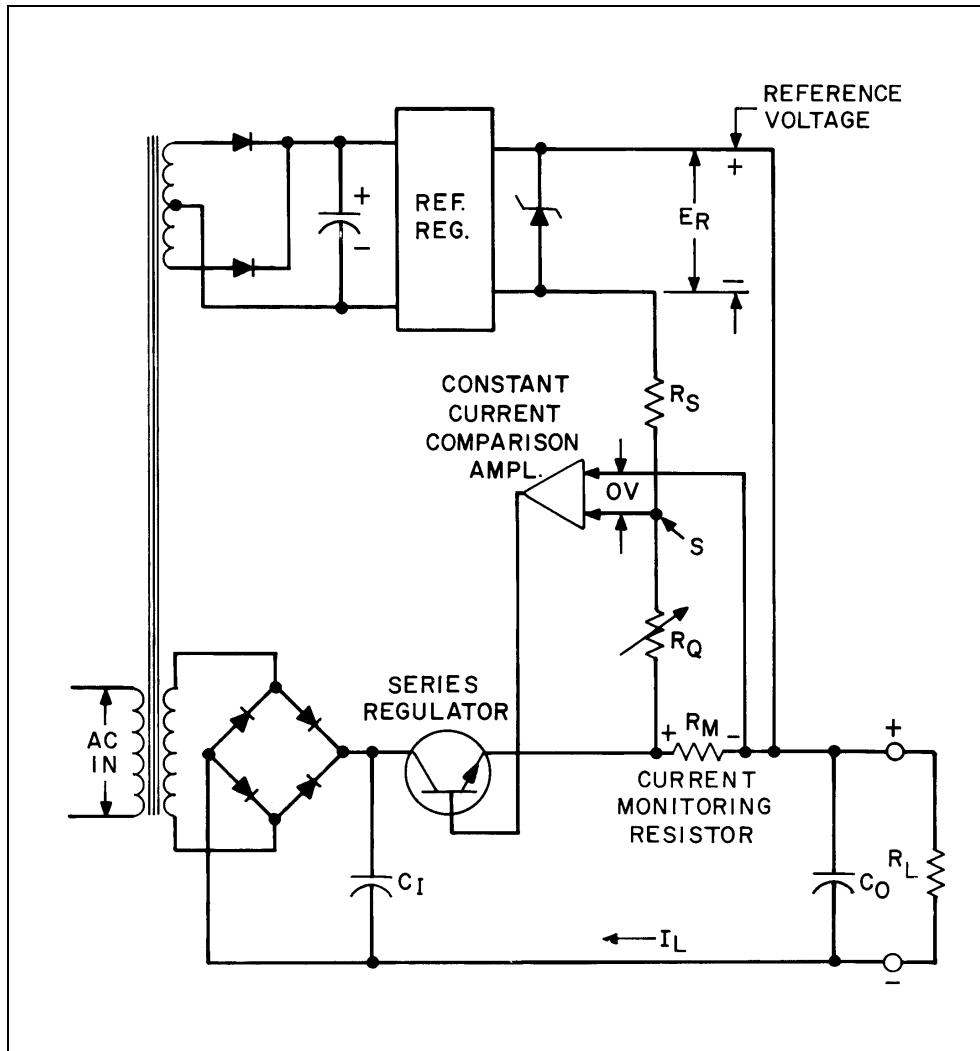


Figure 16. Constant Current Power Supply

CONSTANT VOLTAGE/CONSTANT CURRENT (CV/CC) POWER SUPPLY

Because of its convenience, versatility, and inherent protection features, many Agilent supplies employ the CV/CC circuit technique shown in Figure 17. Notice that only low power level circuitry has been added to a constant voltage supply to make it serve as a dual-purpose source.

Two comparison amplifiers are included in a CV/CC supply for controlling output voltage and current. The constant voltage amplifier approaches zero output impedance by varying the output current whenever the load resistance changes, while the constant current amplifier approaches *infinite* output impedance by varying the output voltage in response to any load resistance change. It is obvious that the two comparison amplifiers cannot operate simultaneously. For any given value of load resistance, the power supply must act either as a constant voltage or a constant current supply--it cannot be both. Transfer between these two modes is accomplished automatically by suitable decoupling circuitry at a value of load resistance equal to the ratio of the output voltage control setting to the output current control setting.

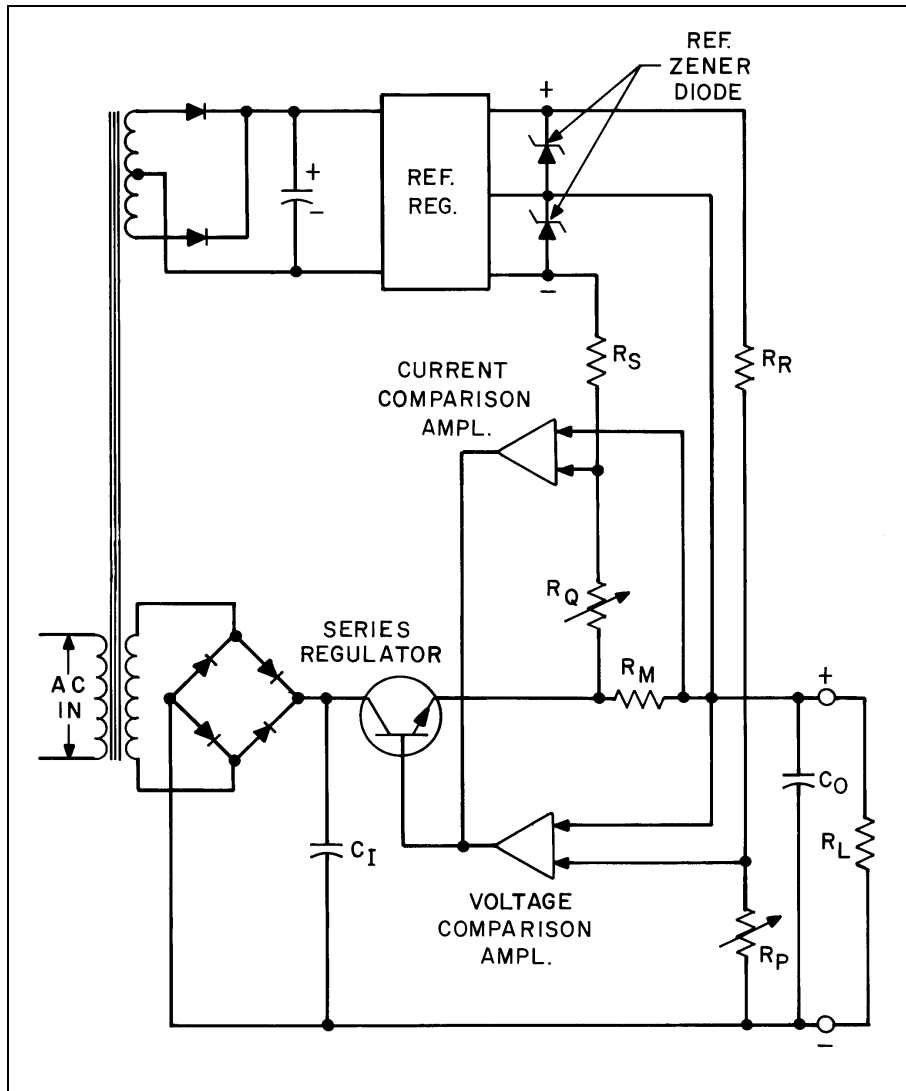


Figure 17. Constant Voltage/Constant Current CV/CC Power Supply

Figure 18 illustrates the output characteristic of an ideal CV/CC power supply. With no load attached ($R_L = \infty$), $I_{OUT} = 0$, and $E_{OUT} = E_S$, the front panel voltage control setting. When a load resistance is applied to the output terminals of the power supply, the output current increases, while the output voltage remains constant; point D thus represents a typical constant voltage operating point. Further decreases in load resistance are accompanied by further increases in I_{OUT} with no change in the output voltage until the output reaches I_S , a value equal to the front panel current control setting. At this point the supply automatically changes its mode of operation and becomes a constant current source; still further decreases in the value of load resistance are accompanied by a drop in output voltage with no accompanying change in the output current value. Thus, point B represents a typical constant current operating point. Still further decreases in the load resistance result in output voltage decreases with no change in output current, until finally, with a short circuit across the output load terminals. $I_{OUT} = I_S$ and $E_{OUT} = 0$.

By gradually changing the load resistance from a short circuit to an open circuit the operating locus of Figure 18 will be traversed in the opposite direction.

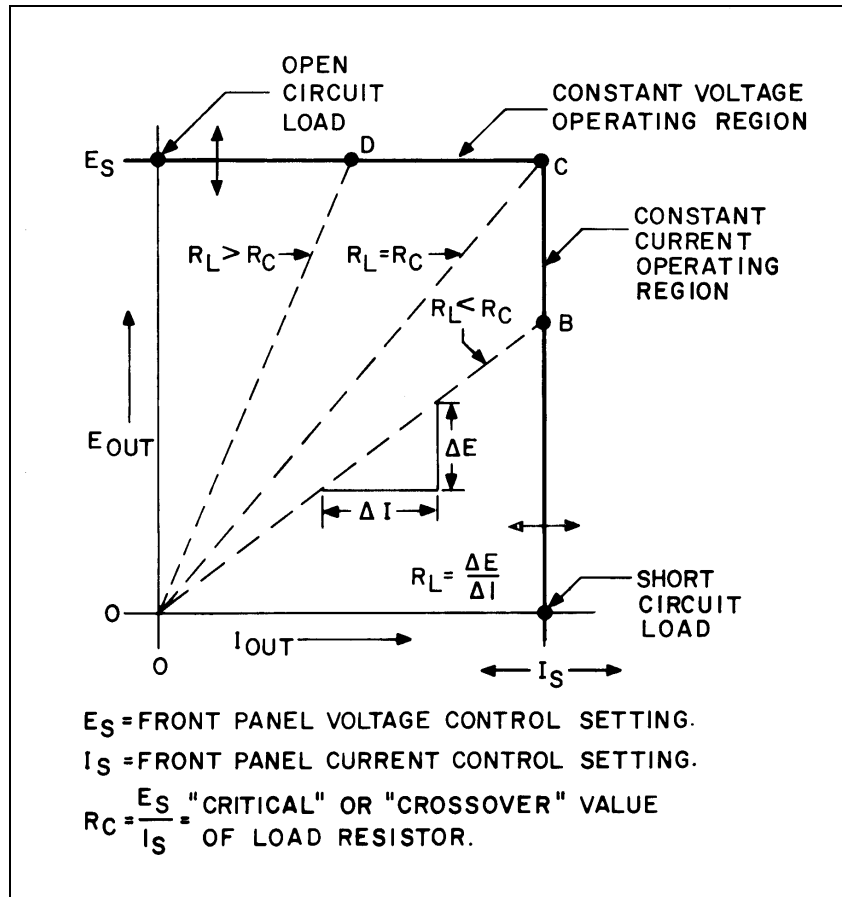


Figure 18. Operating Locus of a CV/CC Power Supply

Full protection against any overload condition is inherent in the Constant Voltage/Constant Current design principle because all load conditions cause an output that lies somewhere on the operating locus of Figure 18. For either constant voltage or constant current operation, the proper choice of E_S and I_S insures optimum protection for the load device as well as full protection for the power supply.

The slope of the line connecting the origin with any operating point on the locus of Figure 18 is proportional to the value of load resistance connected to the output terminals of the supply. The "critical" or "crossover" value of load resistance is defined as $R_C = E_S/I_S$, and adjustment of the front panel voltage and current controls permits the "crossover" resistance to be set to any desired value from 0 to ∞ . If R_L is greater than R_C , the supply is in constant voltage operation, while if R_L is less than R_C , the supply is in constant current operation.

CONSTANT VOLTAGE/CURRENT LIMITING SUPPLIES

Current limiting supplies provide overcurrent protection for applications where a constant voltage is the only requirement. There are two basic types of current limiting circuits used today; conventional current limit and current foldback

Current Limit

Current limiting is similar to constant current except that the current feedback loop uses fewer stages of gain. Because of this, regulation in the region of current limiting operation is less precise than in constant current

operation. Thus, the current limiting locus of Figure 19 slopes more than that of Figure 18, and the crossover “knee” is more rounded.

A sharp knee indicates continuous regulation through the crossover region while a rounded knee denotes loss of regulation before the crossover value is reached. To avoid any possibility of performance degradation, the current limit crossover point must be set somewhat higher than the maximum expected operating current when using a Constant Voltage/Current Limiting (CV/CL) Supply.

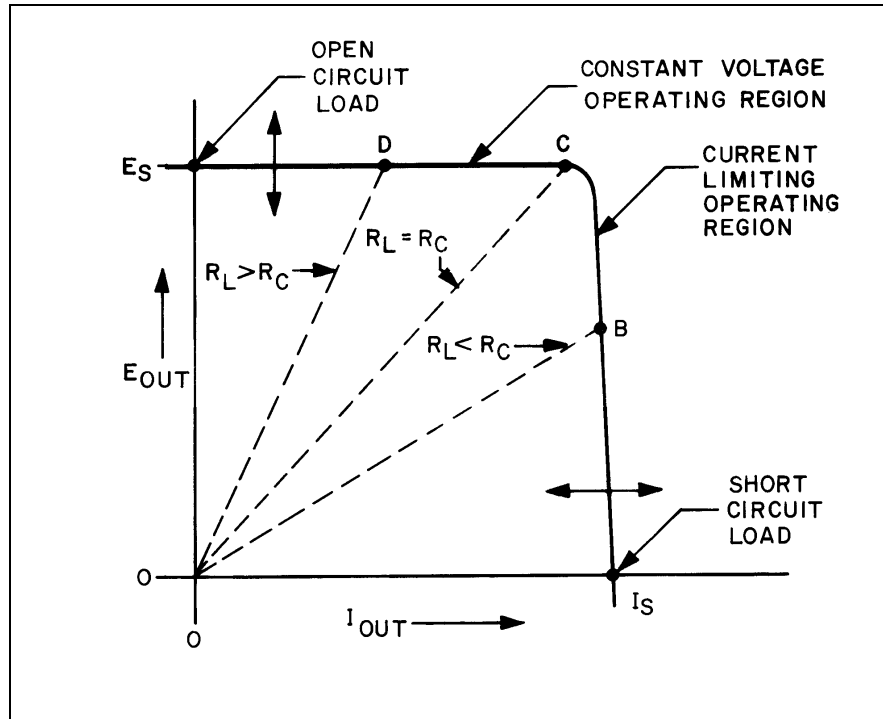


Figure 19. Current Limiting Characteristic

CV/CL supplies employ either a fixed current limit or a continuously variable limit. In either case the change in the output current of the supply from the point where current limiting action is first incurred to the current value at short circuit is customarily 3% to 5% of the current rating of the power supply.

By their current limiting action, CV/CL supplies prevent damage to components within the power supply and will also protect the load *provided* that the current limiting crossover point is set at a current value that the load can handle without damage. All of Agilent's current limiting supplies are self restoring; that is, when the overload is removed or corrected, the output voltage is automatically restored to the previously set value.

Current Foldback

Current foldback (Figure 20) provides better load protection than conventional current limiting because as the load resistance decreases below the crossover value, both the voltage and current decrease simultaneously along the foldback locus. The short circuit foldback point ranges typically between 20% and 50% of rated output current with the exact point for a specific supply depending on design considerations and circuit tolerances.

For series regulated supplies, this reduction in short circuit output current decreases dissipation in the

regulating elements. Thus, current foldback is especially useful if the supply is operating in a remote location and a long term short-circuit occurs. For switching regulated supplies, current foldback does not significantly reduce dissipation within the supply. It does, however, provide superior load protection as mentioned previously.

All Agilent supplies that employ current foldback are self restoring and are designed to withstand worst case dissipation, which occurs under partial overload conditions when the supply is operating along the upper half of the foldback locus.

Foldback current limiting is incorporated more often into fixed output voltage supplies because full rated output current can be obtained only at the maximum rated output voltage. As indicated in Figure 20, reductions in output voltage are accompanied by linear decreases in the available output current. Conventional current limiting techniques, on the other hand, are used mostly in supplies that furnish continuously variable output voltages. Note in Figure 19 that maximum rated current can be obtained at any rated output voltage.

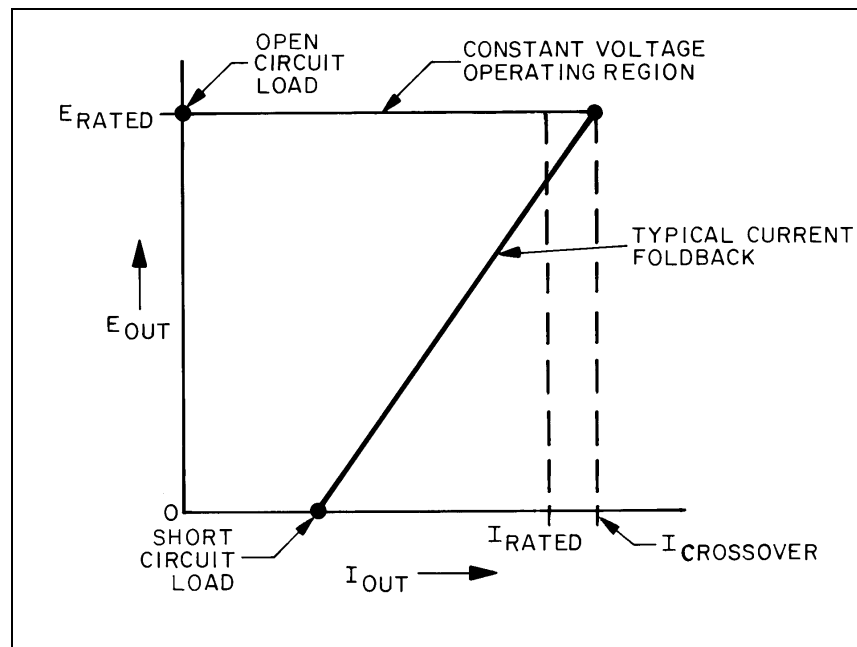


Figure 20. Current Foldback Characteristic

PROTECTION CIRCUITS

Today, many power supply manufacturers are placing increasing emphasis on protection for both the power supply and its load. A supply with extensive protection networks is of obvious benefit to the user, particularly if used in a crucial application such as a system power source or in the testing of critical components.

Protection Circuits for Linear Type Supplies

The following paragraphs describe protection circuits that are commonly used in Agilent series regulated and series/preregulated type supplies (Figure 21).

- A. *Varistor* - A voltage-dependent resistor that protects preregulator triac against ac line spikes. Its resistance decreases abruptly if line voltage exceeds a harmful level.

- B. *RFI Choke* - Minimizes spikes at output of supply by slowing down turn-on of triac.
- C. *Rectifier Damping Network* - RC network protects other elements in supply against short-duration input line transients.
- D. *Series Regulator Diode* - Protects the series regulator against reverse voltages which could be delivered by an active load or parallel power supply.
- E. *Slow Start Circuit* - A long time-constant network that reduces turn-on overshoot and helps limit inrush current. When supply is first turned on, this circuit holds off both the series regulator (to reduce output overshoot) and the preregulator triac (to limit inrush current).
- F. *Amplifier Input Clamp Diodes* - Limit the maximum input to the amplifier to protect it against excessive voltage excursions.
- G. *Output Diode* - Protects components in the power supply against reverse voltages that might be generated by an active load or series connected power supply.
- H. *Sensing Protection Resistors* - Protect the load from receiving full rectifier voltage if remote sensing leads are accidentally open-circuited.

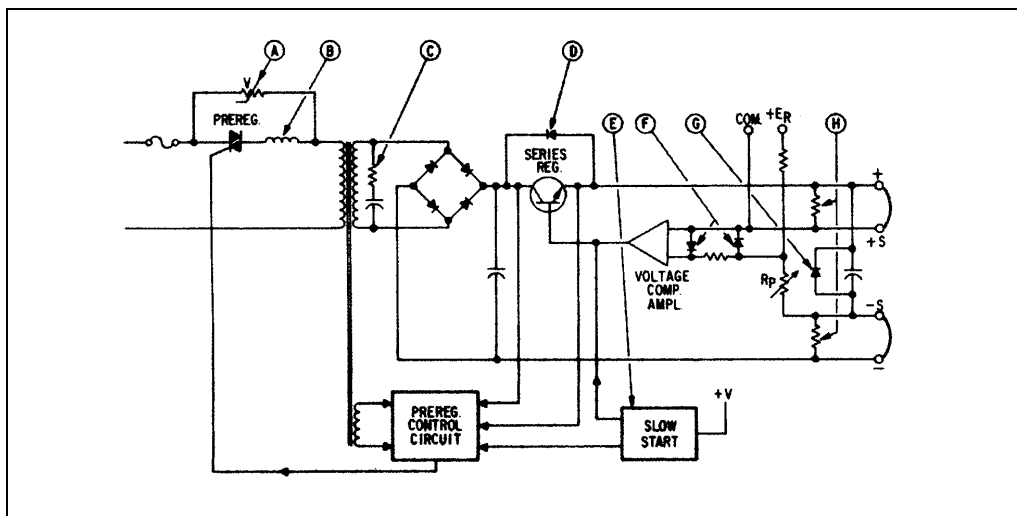


Figure 21. Protection Circuits, Linear Type Supply

Overcurrent and Overvoltage Protection - All Agilent supplies are short-circuit proof and can operate under any current overload condition indefinitely without risk of internal damage. Overvoltage protection is also available if required during constant current operation. The CV/CC and CV/CL automatic crossover circuitry discussed previously is ideal for these purposes since it allows the user to select the maximum safe current or voltage for the particular load device.

Overvoltage Crowbar - The crowbar circuit is connected across the output terminals, and provides protection against any output overvoltage condition which might occur because of operator error or failure within the power supply or load. Most Agilent power supplies of this type have either a built-in or optional crowbar circuit. Because of its importance in many applications, the crowbar circuit is discussed in more depth on the following pages.

Overvoltage Crowbar Circuit Details

An operator error or a component failure within the regulating feedback loop can drive a power supply's output voltage to many times its preset value. The function of the crowbar circuit is to protect the load against this

possibility. The circuit insures that the power supply voltage across the load will never exceed a preset limit.

This protection is valuable because of the extreme voltage sensitivity of present-day semiconductor devices.

The basic elements used in most crowbars are: some method of sensing the output voltage, an SCR that will short the output, and a circuit that will reliably trigger the SCR within a time period that is short enough to avoid damage to the load.

The sense circuit can be a simple bridge or voltage divider network that compares the output voltage to some internal crowbar reference voltage. The best trigger circuit is the one that turns the SCR on the fastest. Fastest SCR turn-on is accomplished by a fast rise-time pulse circuit such as a blocking oscillator or Schmitt trigger.

The Agilent Technology crowbar, illustrated in Figure 22, compares the output voltage with a reference voltage $+V$. The overvoltage potentiometer adjusts the reference voltage on the comparison amplifier and sets the voltage level at which the crowbar will activate. Normally the overvoltage control is located on the front panel and can be adjusted from approximately 20% to 120% of the maximum rated output voltage of the power supply.

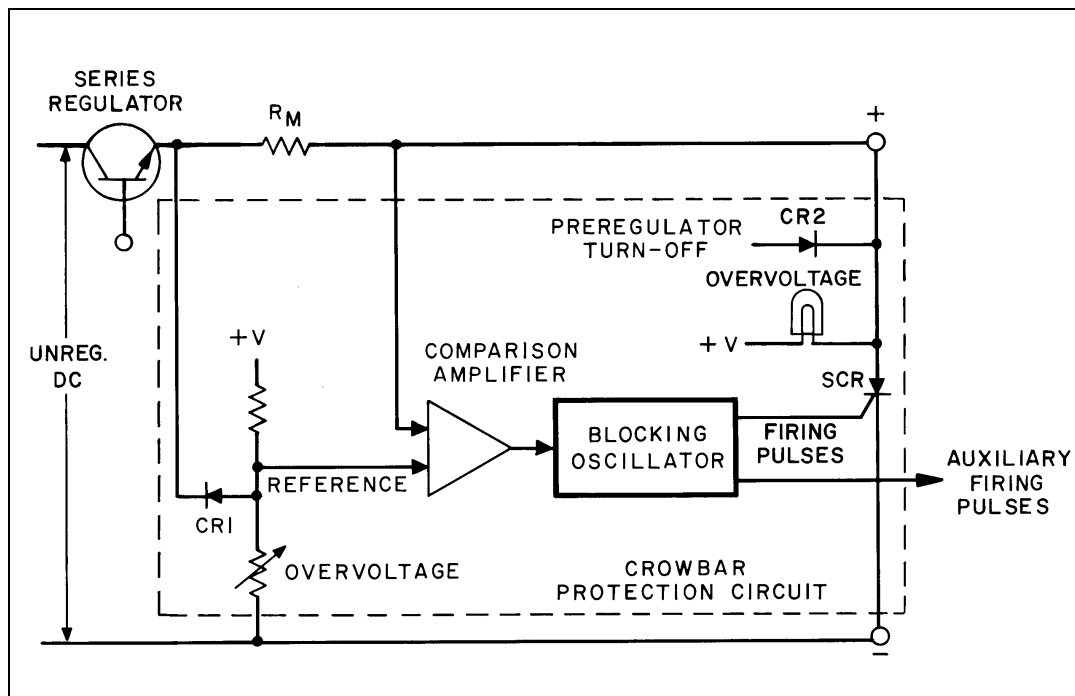


Figure 22. Typical Crowbar Overvoltage Protection Circuit

When the output voltage exceeds the reference, the comparison amplifier triggers the blocking oscillator which then sends firing pulses to the SCR. When the SCR fires, it places a very low impedance across the output, reducing the voltage to near-zero.

Several beneficial features are included in most Agilent crowbar circuits:

1. An overvoltage indicator lights when the SCR fires; the lamp conducts a holding current to prevent the SCR from oscillating on and off.

2. The crowbar circuit creates an extra current path during normal operation of the supply, thus changing the current that flows through the current monitoring resistor. Diode CR1 keeps this extra current at a fixed level for which compensation can then be made in the constant current comparator circuit.
3. In preregulated supplies the crowbar turns off the preregulator circuit when the SCR fires, reducing the voltage drop across the series regulator and the current flow through the SCR.
4. An auxiliary winding is included on the blocking oscillator transformer for connection to an additional crowbar. Tandem crowbar operation is then available for coincident firing of all crowbars in a system.

Crowbar Response Time

The crowbar's speed of response to an overload is a critical parameter. If the response time is too slow, the output could rise to a level high enough to damage the load. If the response is too fast, then spurious noise can cause false tripping and create a nuisance condition.

There are three time delays that place a practical limit on how fast crowbars can react. In order of decreasing magnitude, they are:

- (1) The typical SCR turn-on time (from 1 μ sec to around 5 μ sec);
- (2) The reaction time of the trigger circuit; and
- (3) The time delay associated with the crowbar voltage-sensing circuit. Since only a fraction of the output voltage is compared with an internal crowbar reference voltage, the voltage sensing circuit incorporates a large voltage divider which combines with discrete and stray capacitance in the sensing circuit to form an RC delay network.

If the output voltage is rising relatively slowly there will be essentially no time delay of types (2) and (3). The SCR will be triggered within a fraction of a microsecond after the relatively slow-rising output voltage crosses the trip level, and the only noticeable time delay will be the turn-on time of the SCR. If, on the other hand, the output voltage waveform approaches a step, the sense circuit will not follow the fast rising wavefront and an added time delay (type 3) will result. For a step that is only a few millivolts above the trip level, this time delay can be as much as a few microseconds; but as the magnitude of the step increases, the sense circuit charges faster and the delay decreases.

In practice, it is unrealistic to specify either the time delay or the maximum overvoltage as shown in Figure 22A, because they vary according to operating levels, load and line impedances, and the exact failure mode. Instead Agilent Technologies specifies the overvoltage trip margin, which is defined as "the minimum crowbar trip setting above the desired operating output voltage to prevent false crowbar tripping".

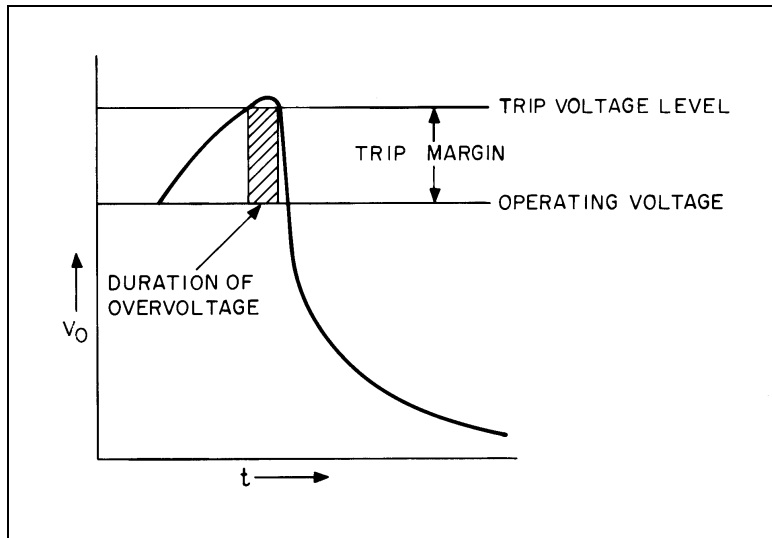


Figure 22A. Crowbar Response

Figure 23 shows typical protection circuits that are used in Agilent switching regulated power supplies. Most of these protection circuits perform functions that are similar to those of the linear supply of Figure 21. However, their circuit placement, or the manner in which they affect the operation of the supply, is often different. Several protection circuits (such as the ac undervoltage detector) are required only in switching supplies.

The following is a brief description of the protection circuits shown in Figure 23.

- A. RFI Filter- Helps prevent RFI spikes from being conducted to the load or back into the ac line. Agilent switching supplies also contain built-in shields for additional control of conducted and radiated interference.
- B. Thermistor - Limits ac inrush current by its negative temperature coefficient of resistance. Has a high resistance when cold (during turn-on) and low resistance after it heats up.
- C. Regulator Overcurrent Limit - This circuit is much faster than the current limit comparator and protects the regulator switches from overcurrent conditions of a transient nature. It monitors current flow through the switches and prevents it from exceeding a harmful level.
- D. Output Rectifier Diodes - Besides final rectification, these diodes also protect internal components against reverse currents that could be injected into supply by an active load or series connected supply.
- E. AC Undervoltage - Performs a dual function. Protects supply from damage that could result from a prolonged condition of low ac input voltage and limits output overshoot during turn-on. During undervoltage or turn-on conditions, the low ac input level reduces the V_{BIAS} voltage and activates the undervoltage detector. When activated, the modulator pulses are inhibited and the regulator switches turned off.
- F. Overvoltage Detector- Monitors output voltage and turns-off regulator switches if output attempts to rise above a preset value. Similar to crowbar circuit described previously, except that output voltage is removed by turning off regulator rather than by shorting the output.
- G. Temperature Switch - Opens in case of high ambient temperature that could be caused, for example, by a misapplication or cooling fan failure. Opening switch removes V_{BIAS} and activates ac undervoltage detector. Switch closes again after temperature cools to a safe level.

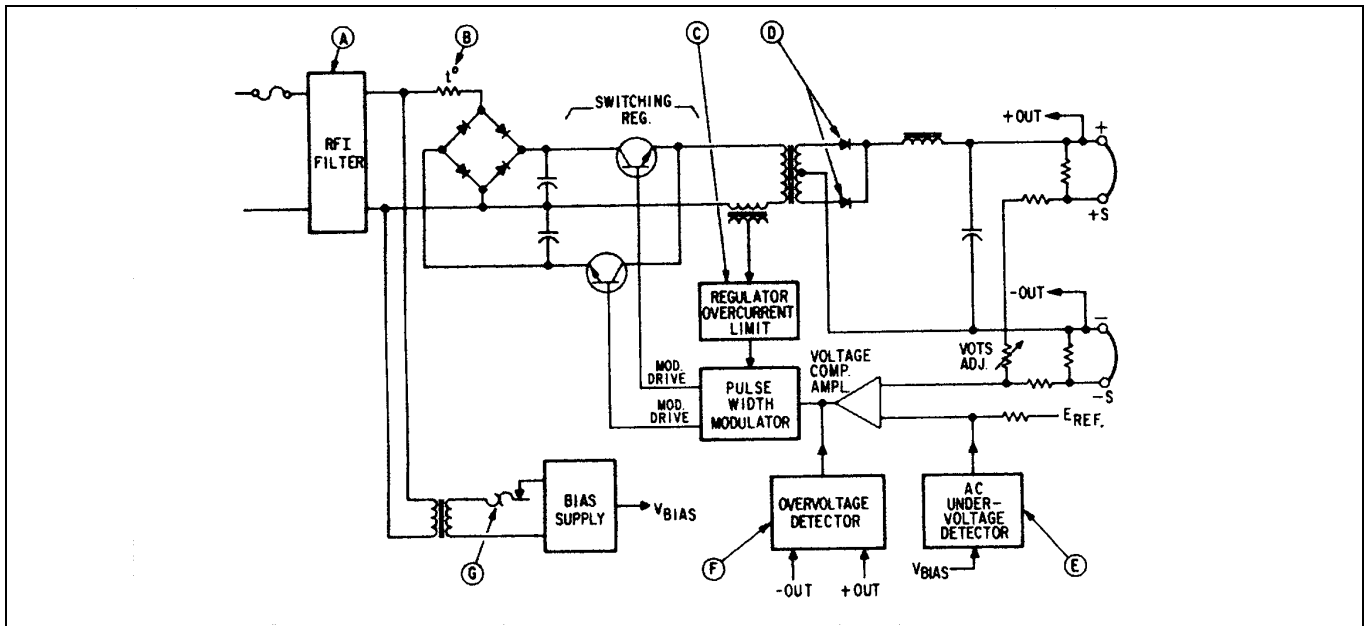


Figure 23. Protection Circuits, Switching Type Supply

Additional Protection - Although not shown on Figure 23, all Agilent switching supplies contain some form of overcurrent protection, usually a current foldback circuit. Also included are remote sensing protection resistors and input protection components for the comparison amplifier.

SPECIAL PURPOSE POWER SUPPLIES

High Voltage Power Supply

Normal series, switching, or SCR regulation techniques may not be suitable for all-semiconductor, short-circuit-proof power supplies with outputs greater than 300 volts. For example, in a series regulated supply, shorting the output terminals would place the rectifier voltage (more than 300 volts) across the series transistors. Utilizing a sufficient number of high voltage series transistors to achieve output of several thousand volts would be too costly and unreliable. Even the preregulator circuit of Figure 7 is not suitable for a higher voltage supply, because a shorted output causes the rectifier capacitor to discharge through the series regulator, and the energy stored in this capacitor is enough to destroy the power transistors in the regulator.

High voltage Agilent supplies utilize a circuit technique that extends the usefulness of series regulating transistors rated for 30 volts to short-circuit-proof power supplies rated for outputs of well over 3000 volts. As shown in Figure 24, the basic technique consists of placing a well-regulated low voltage power supply in series with a less-well-regulated high voltage supply. Notice, however, that the amplified error signal from the voltage comparison amplifier is dependent upon the total output voltage -- not just the output of the low voltage power supply alone. Thus, the well-regulated "piggyback" supply continuously compensates for any ripple, load regulation, or line regulation deficiencies of the main power source by adjusting the voltage across its series regulator to maintain the total output voltage at a constant level.

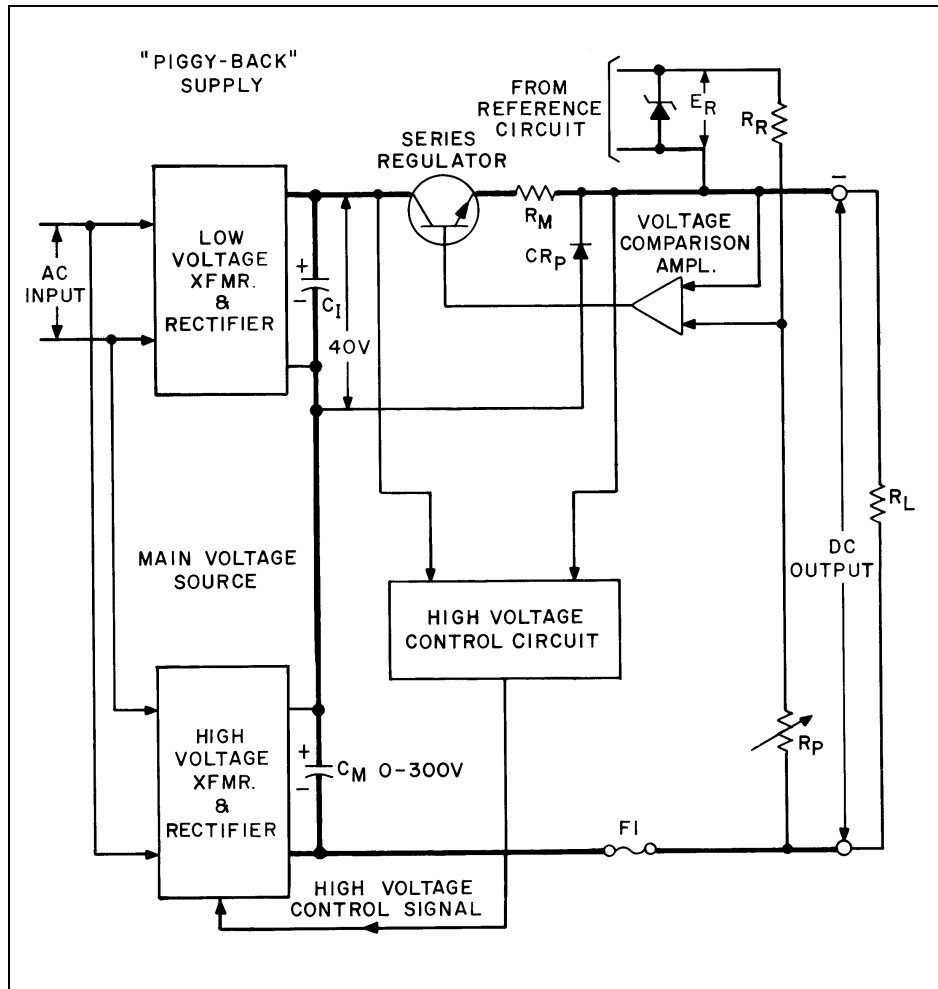


Figure 24. "Piggy-back" Power Supply

As an illustrative example, assume that the low voltage rectifier supplying the series transistor of the "piggy-back" supply develops approximately 40 volts, and that the main voltage source is capable of providing a maximum of 300 volts. With 20 volts normally dropped across the series regulator, the maximum output of this supply would be 320 volts; 20 volts from the "piggy-back" supply and 300 volts from the main source. Thus, the series regulator of the "piggy-back" supply would have a ± 20 volt range available for accomplishing the dynamic changes necessary to compensate for the output voltage variations of the main source.

Short-circuit protection for the series regulator in the "piggy-back" supply (Figure 24) is provided by diode C_{R_P} which, if the output terminals are shorted, provides a discharge path for rectifier capacitor C_M . Since C_{R_P} prevents the output of the "piggy-back" supply from ever reversing polarity, the series regulator will never be called upon to withstand a voltage greater than the 40 volts from its own rectifier.

Fuse F_1 is included so that the path between the output terminals and the rectifying elements of the main voltage source will be opened under overload conditions, to protect the rectifiers and transformer.

The high voltage control circuit does not derive its input control signal from the total voltage across the load resistor or the voltage across the terminals of the high voltage supply itself. Instead, the control circuit monitors the voltage across the combination series regulator and current monitoring resistor and maintains this voltage

drop at approximately 20 volts, leaving approximately 20 volts across the output terminals of the "piggy-back" supply.

Agilent Technologies supplies may use any of three basic methods of controlling the high voltage output of the Main Voltage Source: (1) the control signal from the High Voltage Control Circuit fires SCRs in the rectifier circuit to vary the dc output, (2) the control signal varies the coupling of the high voltage input transformer to adjust the ac input to the rectifiers or (3) the control signal pulse modulates the input to the rectifier to vary the dc output.

High Performance Power Supplies

Agilent Technologies manufactures several types of high performance dc power supplies with specifications at least an order of magnitude superior to the normal well-regulated laboratory supply. Foremost among these are the precision voltage and current sources.

Precision Voltage Sources

This line includes both CV/CC and CV/CL supplies, similar to those described previously, with a few important exceptions. The critical components of the supply, including the zener reference diode for the voltage comparison amplifier and the low-level portions of the feedback amplifier, are enclosed in a temperature-controlled oven. Moreover, the less critical components that are not oven enclosed are high quality components with low temperature coefficients. These techniques, together with the utilization of a high-gain feedback amplifier, result in an exceptionally stable and well-regulated supply with a 0.1% accuracy.

Precision Constant Current Source

The concepts and circuits used in basic constant current power supplies were shown in Figure 16. This section is devoted to the refinements necessary to upgrade a basic constant current supply to a *precision* class, with characteristics that more closely approach an ideal *current source*.

An ideal current source is a current generator that has infinite internal impedance. It provides any voltage necessary to deliver a constant current to a load, regardless of the size of the load impedance. It will supply this same current to a short circuit, and in the case of an open circuit it will attempt to supply an infinite voltage (see Figure 25).

In practical current sources, neither infinite internal impedance nor infinite output voltages are possible. In fact, if the current source is to be used as a test instrument, it should have a control for limiting its maximum output voltage, so its load will be protected against the application of excessive potentials. Its output impedance should be as high as possible, of course, and should remain high with increasing frequency to limit current transients in rapidly changing load. A capacitor across the output terminals should be avoided, since it will lower the output impedance, store energy which can result in undesirable current transients, and decrease the programming speed.

One approach to the design of a current source is to add a high series resistance to an ordinary voltage source. However, it is difficult to achieve good current regulation with this design.

Typical applications for current sources call for output impedances of a few megohms to a few hundred megohms and currents of tens or hundreds of milliamperes. This means the source voltage would have to be

tens of kilovolts or more. Such a high-voltage supply would cause noise problems, would be difficult to modulate or to program rapidly, would be dangerous, very large, and would waste considerable power.

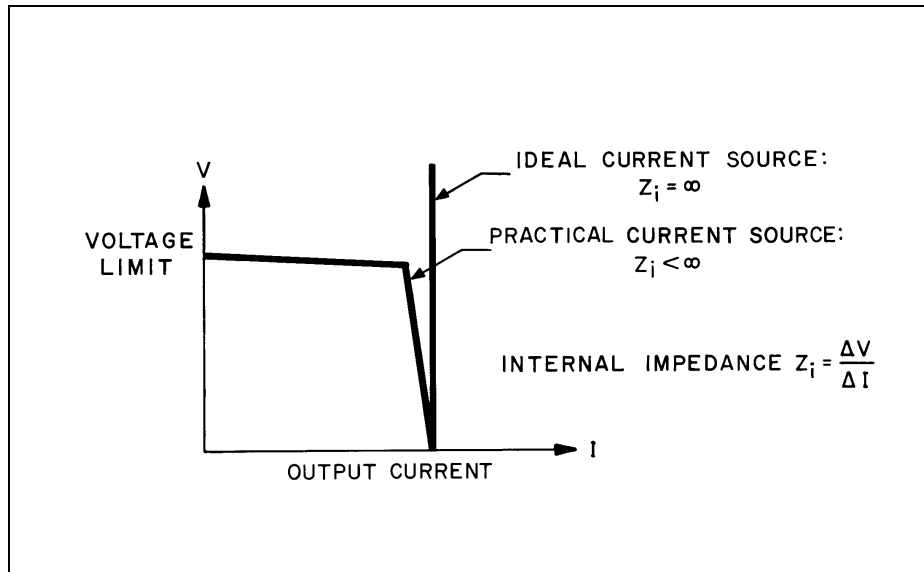


Figure 25. An Ideal Current Source

Electronic current regulation is a much more tractable way to obtain high output impedance, although there are still design problems, such as leakage.

Leakage Versus Regulation. The current regulation of a current source, as seen at the load, is degraded by any impedance in parallel with the load. If I_0 is the current generated by the source, I_L is load current, Z_L is load impedance, and Z_S is the total impedance shunting Z_L , then

$$I_L = \frac{I_0 Z_S}{Z_L + Z_S}$$

When the output impedance of the current source is high, then even very small leakage currents can become significant (see Figure 26). Such things as the input impedance of a voltmeter measuring the load voltage, the insulation resistances of wiring and terminal blocks, and the surface leakage currents between conductors on printed circuit boards will all take current away from the load, unless special design precautions are used.

Agilent Current Sources. In Agilent Technologies Current Sources, leakage at the output terminals is negligible, owing to a combination of techniques, including guarding, shielding, and physical isolation. Feedback regulation makes the output impedance high (3.3 to 10,000 megohms), and there is no output capacitor to lower the output impedance or store energy. Low leakage and high output impedance result in precise current regulation.

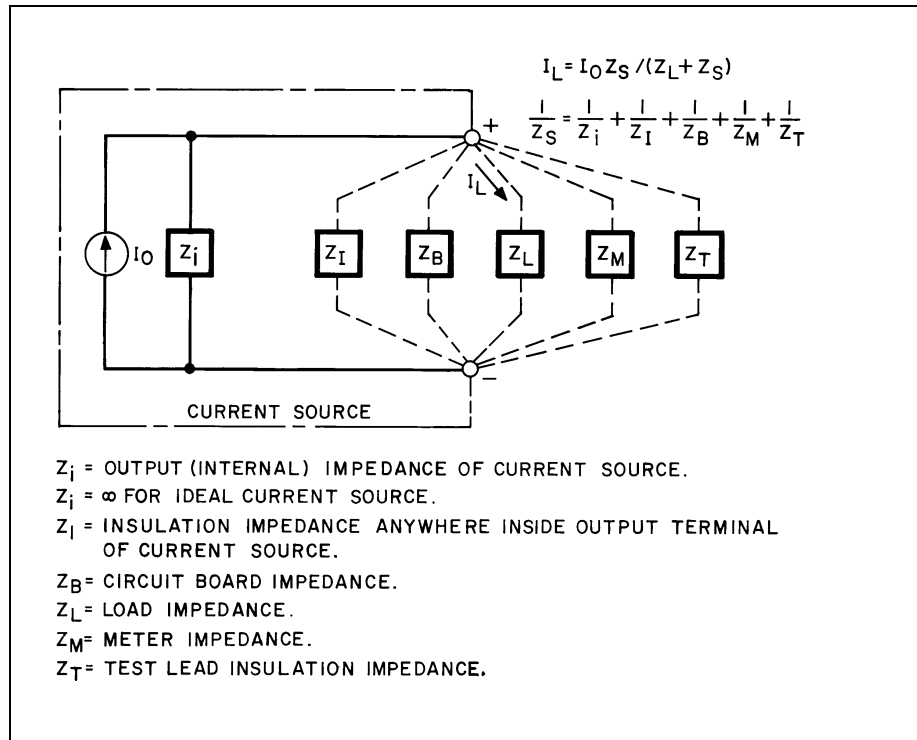


Figure 26. Impedances Shunting the Load Degrade Current Regulation

As shown in Figure 27, the CCB design includes three key sections which determine its unique regulating properties--the Programming/Guard Amplifier, the Main Current Regulator, and the Voltage Limit Circuit.

The Programming/Guard Amplifier is an independent, variable constant voltage source, whose output voltage E_G is linearly dependent upon the setting of R_Q , being equal to $E_S R_Q / R_S$. The guard aspects of this circuit are discussed in detail later; it is sufficient to note here that this circuit permits linear output current control while facilitating the common point connection at the *inboard* side of the current monitoring resistor.

The Programming/Guard Amplifier provides the programming voltage E_G for the Main Current Regulator; this dc voltage, which is negative with respect to circuit common, is applied to one of the inputs of the differential Current Comparison Amplifier. The other input of this differential amplifier is connected to the current monitoring resistor R_M . The Current Comparison Amplifier continuously compares the voltage drop across the current monitoring resistor ($I_0 R_M$) with the programming voltage (E_G). If these voltages are momentarily unequal due to a load disturbance or a change in the output current control setting, this error voltage is amplified and applied to the series regulator transistors, altering the current conducted through them and forcing the voltage drop $I_0 R_M$ to once again equal E_G .

The output current is related to the programming voltage and reference voltage by the relationship

$$I_0 = \frac{E_G}{R_M} = \frac{E_S}{R_M} \cdot \frac{R_Q}{R_S}$$

As this equation suggests, R_M is a critical component and is selected to have low noise, low temperature coefficient, and low inductance.

Its ohmic value is large enough to give an adequate current monitoring voltage, yet small enough to minimize its temperature rise (and the resulting resistance change) caused by its own power dissipation.

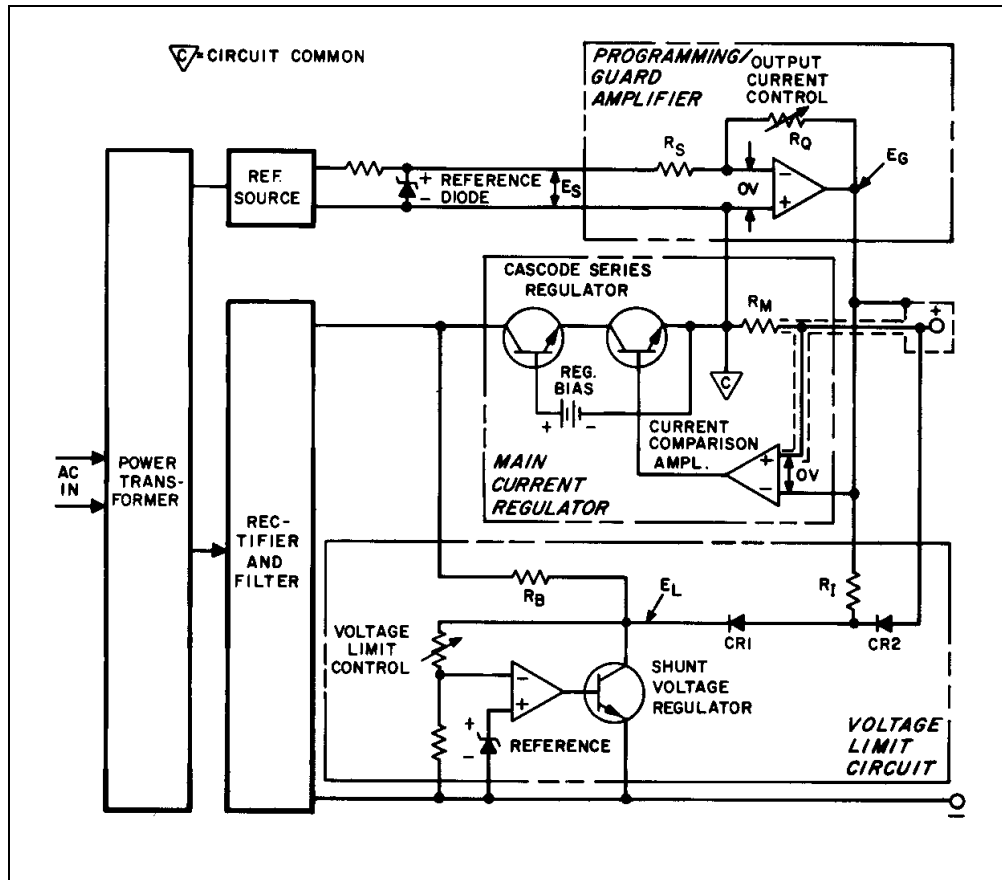


Figure 27. Precision Current Source Block Diagram

Returning to the guard duties of the Programming/Guard Amplifier, the output of this amplifier (E_G) is connected to a guard conductor which surrounds the positive output terminal, the current monitoring resistor, and the (+) input to the Current Comparison Amplifier. Since E_G is held at the same potential as the positive output terminal by the Main Current Regulator, no leakage current flows from the positive output terminals (or any of the internal circuit elements connected to it). The leakage currents that would normally flow from the positive output circuitry flow instead from the guard conductor, whose current is supplied by the Programming/Guard Amplifier. Notice that since the Programming/Guard Amplifier is a low impedance source referenced to (C), any leakage current fed by the guard originates from circuit common via this amplifier, bypassing R_M —only the output current flows through R_M . In this way leakage current flowing directly between the supply's two output terminals is eliminated, and precise load regulation is obtained.

The Programming/Guard Amplifier output may also be used as a convenient point to connect indicating meters, since the current to drive these meters will not affect the regulated output current I_O .

The Voltage Limit Circuit is designed to eliminate dangerous high-voltage or high-current transients that might occur under certain load conditions. For example, when the load is suddenly removed from an ordinary constant-current power supply, the output voltage attempts to rise to the raw supply voltage of the instrument, which can be hundreds of volts. Or, when the load is suddenly reconnected to a supply operating in the voltage

limit mode, a high-current transient can occur if the current regulator saturates while the instrument is still in voltage limit.

The Voltage Limit Circuit in Constant Current Sources virtually eliminates voltage or current overshoots and undershoots when going in and out of voltage limit, without adding any significant leakage path across the output terminals.

Normally, when voltage limiting action is not occurring, the setting of the Voltage Limit Control establishes across the Shunt Voltage Regulator a preset voltage limit E_L which is higher than the positive output voltage and its twin, the guard voltage E_G . Since there is zero volts across the series combination of isolation diode CR2 and resistor R1 (5 kilohms or less), no current flows through them, and potential E_G is also present at their junction, thus back-biasing isolation diode CR1. (Any small leakage through back-biased diode CR1 flows through R1 and the output of the Programming/Guard Amplifier, but does not flow into CR2 or the positive output terminal). The Shunt Voltage Regulator conducts a "standby" current through shunt regulator bias resistor RB; this current insures that the Shunt Voltage Regulator is operating in its linear region, ready to react quickly when voltage limiting action is required, thus preventing crossover transients.

If the output voltage exceeds the preset voltage limit value CR1 and CR2 conduct, and the Shunt Voltage Regulator conducts a portion of the current which otherwise would flow to the load, thus clamping the output voltage to the preset limit value.

Even during voltage limiting action, E_G continues to be maintained at a value equal to the potential at the positive output terminal; both guarding action and the normal control action of the Main Current Regulator continue, minimizing any output transients which might tend to occur when the output transfers from voltage limiting to its normal output current mode.

High Output Impedance. The high output impedance of these current sources is a result of several factors, both electrical and mechanical. The series-regulator transistors are in a cascade configuration, which inherently has a high output impedance. Since the open-loop gain of the error amplifier is high, the closed-loop output impedance is greatly increased by feedback.

Output capacitors have been eliminated -- and although the output impedance falls off with frequency because of the necessary gain and phase compensation in the amplifier circuits, it is much higher than it would be if a capacitor were connected across the output terminals.

The importance of low output capacitance should not be underestimated. Excessive output capacitance would cause the output impedance of the current source to fall off with increasing frequency, producing undesirable transients in rapidly changing loads. Large capacitors store large amounts of energy which, if discharged suddenly through the load, may cause damage; negative-resistance devices are particularly susceptible to this kind of damage. Finally, an output capacitor would slow down the response of the current source to changes in the external programming signal.

In the interest of keeping the output impedance high, the impedances of internal leakage paths have been made as high as possible by careful mechanical design and hygienic construction techniques. Leakage, both internal and external, is further reduced by guarding the positive output terminal.

Guarding. In addition to eliminating leakage currents, the guard can also be used to measure the output voltage without drawing current away from the load. Connecting a voltmeter between the negative output terminal and the positive output terminal will lower the output impedance, but a voltmeter connected between the negative

output terminal and the guard has no effect on the output impedance. The meter still measures the output voltage because the guard is at the same potential as the positive output terminal. The front-panel voltmeter is internally connected to guard; and if greater accuracy is needed, a voltmeter can be connected externally.

Unlike other guards, such as those used on digital voltmeters, the guard in the Current Source is active and internally referenced to the positive terminal. For this reason the guard is labeled "(+) meter" on the front panel, and must not be connected to either output terminal, since this interferes with the closed loop performance.

Transformer Shielding Eliminates Ripple. Agilent Current Sources meet their low ripple specifications regardless of which output terminal, if either, is connected to earth ground. High-gain current regulation is one reason for the low ripple. Another is special shielding to keep ac voltages in the power transformer from being coupled into the output via the capacitance between the transformer windings and the output or ground.

One potential source of ripple current is capacitive coupling between the primary winding and the negative output terminal. This problem is eliminated by enclosing the primary winding in an electrostatic shield which is connected to earth ground. A second source of ripple current is capacitive coupling between the secondary winding and ground. To keep this current from affecting the output, the secondary winding is enclosed in an electrostatic shield which is connected to the negative output terminal. This causes the ripple current generated by the secondary winding to be confined to a closed loop inside the instrument.

Extended Range Power Supplies

This type of supply automatically extends the number of output voltage and current combinations that are available within the maximum power rating of a single unit. Before discussing circuit techniques, the following paragraphs first outline the advantages of the extended range concept itself.

Advantages of Extended Range

Figure 28 compares the output characteristic of a conventional CV/CC supply with that of an extended range supply of the same output power (200W in the example). As indicated in 28(A) maximum output power from a conventional supply can be obtained at only one point (20V/10A) on its rectangularly shaped locus. Maximum output power for an extended range supply, however, is available not only at 20V/10A, but at 50V/4A and anywhere along the curved portion of the characteristic ranging between 20 and 50V.

To duplicate this capability would require either one large 500W power supply operating inefficiently at less than rated output at many operating points, or else several equivalent supplies; a 50V/4A supply, a 20V/10A supply, and others for in-between voltage and current ratings. Both of these solutions are expensive and require a significant amount of bench or rack space.

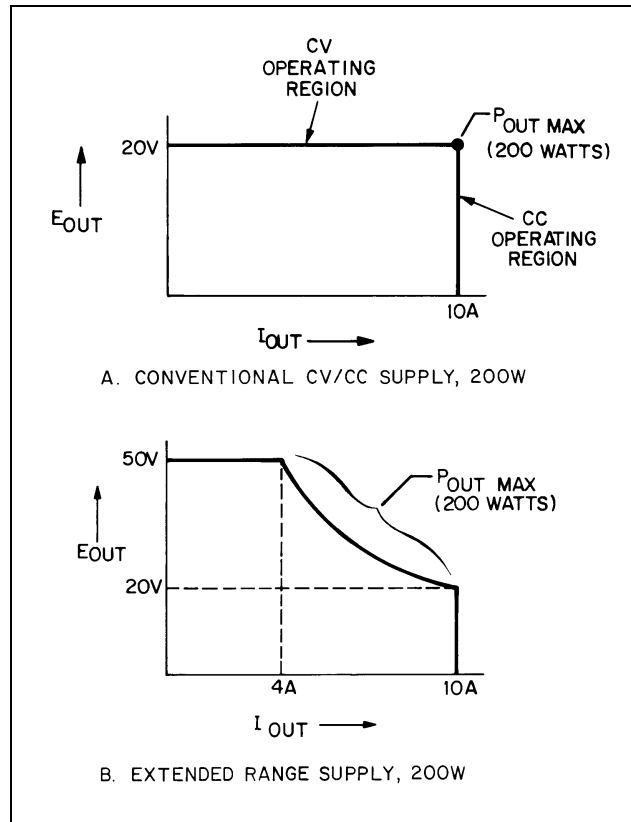


Figure 28. Output Characteristics of CV/CC Supplies, Conventional vs. Extended Range

Example of Extended Range Power Supply

Agilent Technologies uses two different design techniques in their extended range power supplies. In one type, shown on Figure 29, extended range is achieved by adding a special tap switching network ahead of a standard CV/CC series regulated feedback loop. A more recent design, utilizes a regulator type whose output characteristic naturally assumes the shape of Figure 28(B), without the need for an electronic tap switching network. However, for convenience, only the extended range supply with the tap switching network is described in the following paragraphs.

This supply achieves the high level of performance normally associated with a preregulated/series regulated supply; plus two additional advantages. The first advantage is the extended range concept described previously and the second is that the programming speed is considerably faster than a comparable preregulated unit.

The simplified schematic of Figure 29 shows that this supply consists basically of a CV/CC series regulator feedback loop preceded by an electronic tap switching network. Operation of the main series regulator loop is virtually identical to many other supplies developed by Agilent Technologies. The tap switching circuits, however relate only to extended range supplies and it is these circuits that govern the overall output characteristic of Figure 28(B).

Electronic Tap Switching. As shown on Figure 29, tap switching is accomplished by a pair of triac switches (CR1 and CR2) and an associated control circuit. By selecting different triac firing combinations, these circuits allow the input capacitor (CI) to charge to one of four discrete voltage levels, depending on the output voltage and current required.

The main secondary winding of the power transformer has three sections, each of which has a different turns ratio with respect to the primary winding. At the beginning of each half-cycle of the input ac, the control circuit determines whether one, both, or none of the triacs will be fired. If neither triac is fired, the rectifier receives an ac input voltage that is determined by N_1 turns and the input capacitor charges to a corresponding level. If triac CR2 is fired, capacitor C_1 charges to voltage determined by $N_1 + N_2$ turns. Similarly, if CR1 is fired the capacitor is charged by $N_1 + N_3$. Finally, if both triacs are fired simultaneously, C_1 charges to its highest voltage level ($N_1 + N_2 + N_3$).

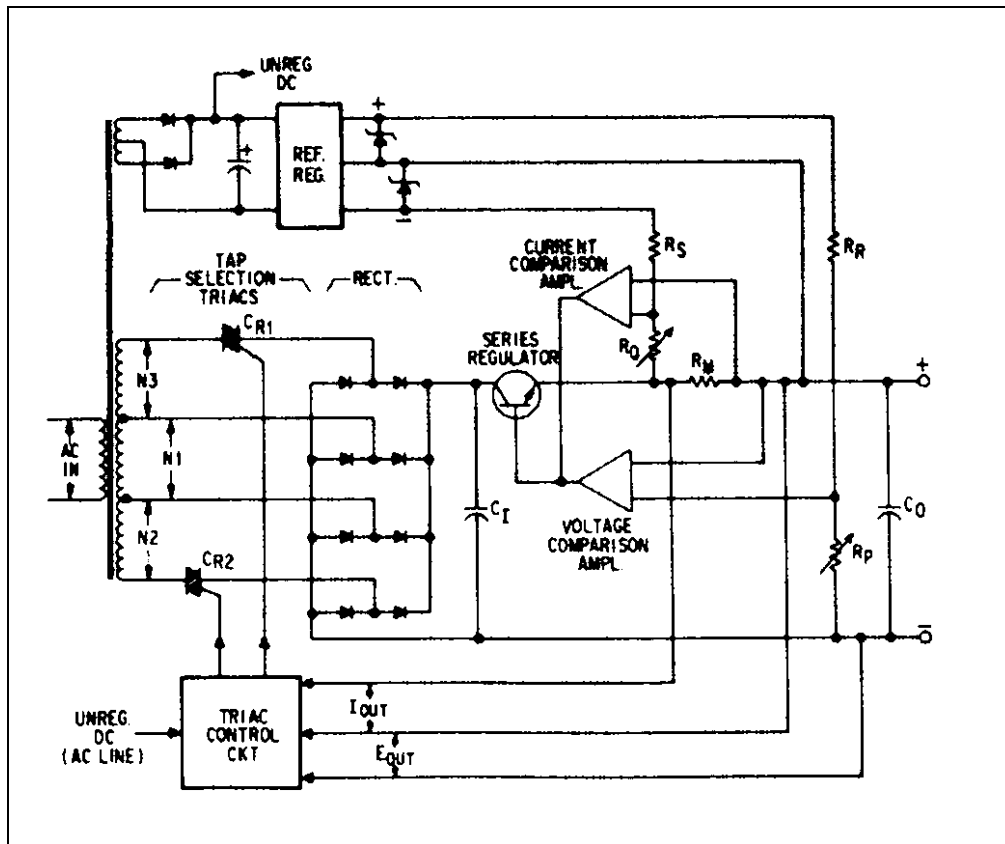


Figure 29. Extended Range Power Supply Using Tap Switching

The triac control circuits determine which triac is to be fired by monitoring the output voltage and current (IR drop across current monitoring resistor, R_M) and comparing these values against a set of three internally derived reference levels. These reference levels are translated into boundary lines to allow the output characteristic to be mapped into four operating regions (Figure 30). The boundary lines, which are invisible to the user, are named VOD for output voltage "decision" line, and IOD1 and IOD2 for output current "decision" lines one and two. Whenever the output voltage is below the sloping VOD line, the control circuit inhibits both triacs and the input capacitor charges to a voltage determined by N_1 . Whenever the output voltage is greater than the VOD line, the control circuit looks at the output current level to determine which triac should be fired. Figure 30 indicates the windings that are connected as a result of the current decisions.

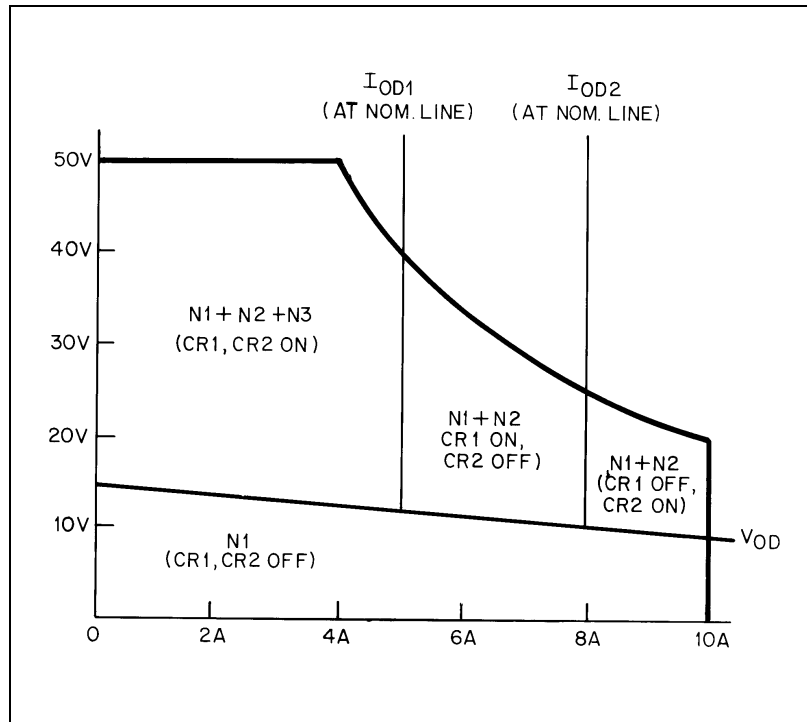


Figure 30. Output Power Plot

The triac control circuit also monitors the unregulated dc to provide ac line compensation. Variations in the amplitude or frequency of the ac line modify the amplitude of the unregulated dc voltage which, in turn, alter the position of the IOD1 and IOD2 decision lines. For example, both IOD lines decrease (move to the left) if the ac line voltage increases. The reverse occurs if the ac line voltage decreases. This action prevents excessive regulator dissipation during periods of high line yet assures an adequate voltage drop across the series regulator during periods of low line.

Noise Reduction. Triacs, as well as any other switching devices, can generate a considerable amount of EMI. Because this interference is proportional to the turn-on dv/dt , the triacs in this supply are fired only when the voltage across them is low, thus minimizing EMI. The current through the triacs, however, must be higher than the minimum latching current that is required to sustain conduction. Thus, triac firing must occur late enough in the ac input cycle for the current to be above the latching level yet early enough in the cycle so that the dv/dt will not generate excessive EMI.

Faster Down-Programming Speed

As mentioned previously, the programming speed of this unit is considerably better than that of the preregulated power supplies that exist at this power level. Up-programming is not a particular problem in either type of unit because it is aided by the conduction of the series regulator. Down-programming, however, is much slower in a preregulated unit because: (1) an active element is not normally available to aid in the discharge of the output capacitor and (2) any decrease in the charge across the output capacitor must be accompanied by a decrease in the voltage across the input filter capacitor to avoid damaging the series regulator. This problem exists because the series regulator, which normally operates with a V_{ce} of only a few volts, does not have the heat sink capability to absorb the extra energy dissipated when discharging the filter capacitor during down-programming.

The extended range power supply overcomes the latter problem through the use of series regulating transistors with higher voltage ratings and with thermally improved heat sinks. The heat sinks allow the series transistors to be properly cooled during the worst case conditions that are encountered during rapid down-programming. In addition, a special transistor circuit (not shown on Figure 29) provides for a more rapid discharge of the output capacitor during down-programming.

Bipolar Power Supply/Amplifier

In some applications a power supply is required that has a faster programming speed than standard designs (see Remote Programming Chapter for programming speed limitations). Still other applications require a power supply that can be controlled continuously through zero over a wide span in either the positive or negative direction. Bipolar Power Supply/Amplifiers (BPS/As), which utilize the operational amplifier concept of power supplies, have been developed to meet these needs. A BPS/A is not only a high speed, programmable power supply but can also be used as direct-coupled amplifier with low output distortion and a bandwidth from dc to as high as 40KHz (in certain operating modes).

Bipolar Power Supply

Figure 31 shows a simplified representation of the instrument drawn as a CV/CC power supply. Note that this circuit differs from the typical CV/CC power supply of Figure 17 in that:

1. The regulating elements consist of two series transistors connected in a push-pull, pseudocomplementary configuration (Q1 and Q2 are actually npn's). Q1 is connected to a positive rectifier and controls positive outputs while Q2 (connected to a negative rectifier) controls negative outputs.
2. A bipolar CV reference source is used instead of a unipolar one to allow a bipolar output in the constant voltage operating mode.
3. Two current comparison amplifiers and an associated bipolar reference source, are used to provide a bipolar output in the constant current mode.
4. The output capacitor has been eliminated to increase programming speed. Additional modifications, not shown in Figure 31, insure that the power supply will remain stable for capacitive, resistive, or inductive type loads.

Aside from the above differences, basic operation of this bipolar power supply is very similar to most other CV/CC supplies. The CV or CC comparison amplifiers compare the output voltage (or current) with the bipolar reference and generate amplified error signals that control the conduction of the applicable regulating transistor (Q1 or Q2).

Amplifier

Figure 32 shows the BPS/A redrawn as an amplifier. Transistors Q1 and Q2 are arranged in a single-ended, push-pull configuration, and the operational amplifier aspects are more readily suggested by this configuration. For simplicity, the constant current control circuits are not included in Figure 32. In the amplifier mode, the BPS/A controls the gain of an externally applied dc or ac signal. In Figure 32, an external ac input signal has been substituted for the internal bipolar reference supply shown in Figure 31.

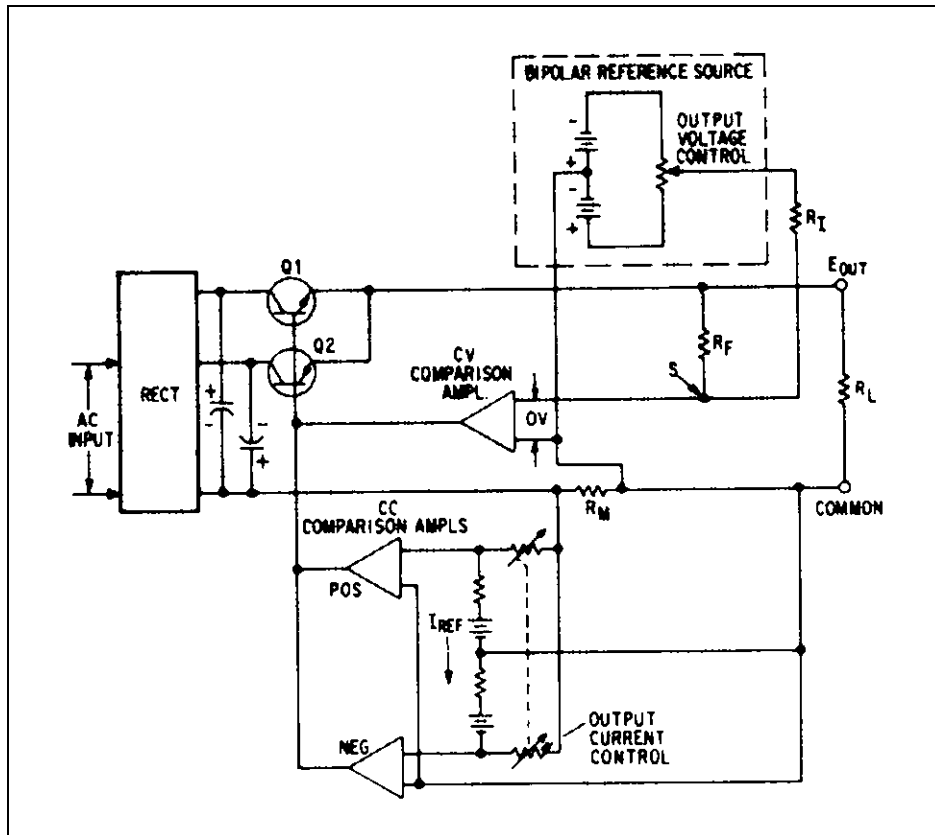


Figure 31. Bipolar Power Supply/Amplifier Drawn as a CV/CC Power Supply.

The rear terminal strip on BPS/A instruments includes numerous control terminals to facilitate remote resistance programming of the CV or CC output in the power supply mode or remote dc or ac programming in the amplifier mode.

Digitally Controlled Power Sources

Digitally controlled power sources (DCPS's) are designed specifically for use in modern automated systems which require power supplies capable of being programmed by a digital controller. Although tailor-made for computer-based automatic test systems, DCPS interface circuitry can be readily modified to permit control by a programmable calculator, coupler, or other digital data source. The basic function of the DCPS is to convert the digital signals from the controller into analog form with speed and accuracy.

Agilent Technologies' family of DCPS's includes several digital voltage sources and one current source.

Digital Voltage Source (DVS)

The DVS is a Constant Voltage/Current Limiting power source that can be continuously programmed throughout its bi-polar output voltage range. Figure 33 is a simplified block diagram showing a typical DVS manufactured by Agilent. The unit consists basically of a digital-to-analog (D/A) converter followed by a bi-polar power amplifier.

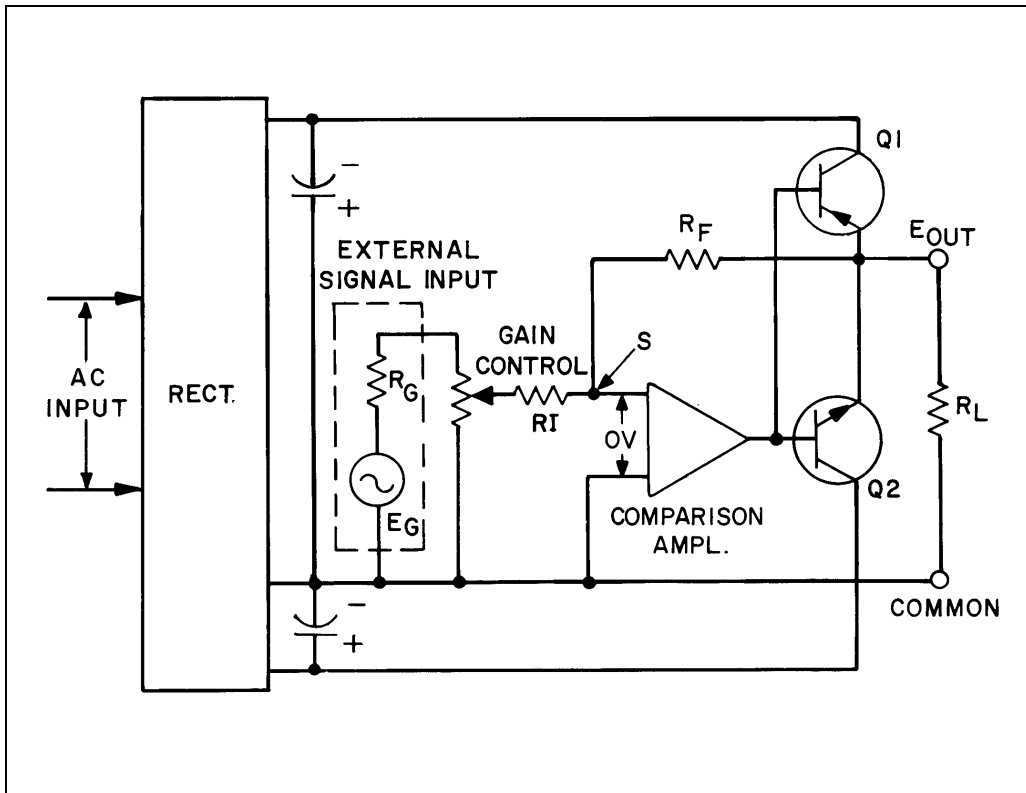


Figure 32. Bipolar Power Supply/Amplifier Drawn as an Amplifier

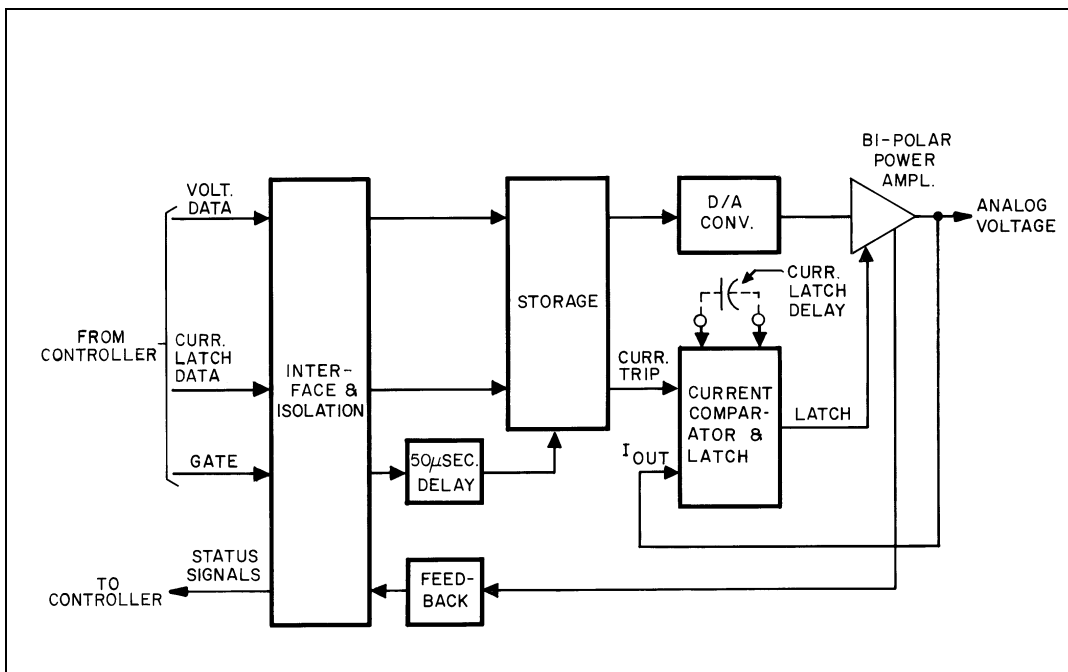


Figure 33. Digital Voltage Source Block Diagram

Additional circuits are also included to facilitate operation within the systems environment. The additional circuitry performs interface, isolation, storage, overcurrent protection, and status feedback functions as explained in subsequent paragraphs.

Interface and Isolation. Each input and output signal, to and from a DCPS, passes through interface and isolation circuits. Interface circuits are designed to match the unit to a variety of controllers. Isolation circuits isolate the digital input from the analog output voltage allowing the output to be floated if desired. Isolation also prevents troublesome loops between the output ground and controller ground and prohibits potentially destructive current surges which could occur if some point in the load were inadvertently grounded.

Storage. The digital voltage and current programming input data are transferred into integrated-circuit storage buffers upon receipt of the storage pulse from the controller. Once the data is stored, the controller can perform other tasks without the need for maintaining the input data. This increases controller operating efficiency and even allows "party-line" operation where one set of data lines can be used to program several DCPS.

The storage capability also minimizes voltage programming overshoots or undershoots by ensuring that all voltage program inputs reach the D/A converter simultaneously. The gate pulse is delayed 50 μ sec from the arrival of the input data to allow time for all input lines to settle.

If the programming source does not normally generate gate signals, the storage circuits can be bypassed by means of a switch on the DVS. The voltage program data now passes directly into the D/A converter as soon as received from the isolation circuits, but without the benefit of storage.

D/A Converter. The heart of a DCPS is the D/A converter. This bi-polar, high-speed circuit converts the digital voltage programming inputs into an analog reference signal which drives the precision power amplifier. The reference output signal is either positive or negative in accordance with the polarity of the input data.

Bipolar Power Amplifier. The accurate reference signal from the D/A converter goes directly to the power amplifier. To preserve the accuracy of the input signal, large amounts of negative feedback are used in the amplifier circuits. The amplifier can be programmed either side of, or through, zero without "notch" effects or the use of polarity switches.

The power amplifier has a self-contained voltage limit circuit which prevents the output voltage from exceeding 110% of rating despite possible programming errors. It also contains a "gross" current limit circuit which prevents the output current from exceeding 110% (maximum) of the rated output current. This circuit provides backup protection for the programmable overcurrent circuits.

Overcurrent Protection. Both the load and the DVS are protected against overcurrent conditions by a current comparator and latch circuit. When activated, this circuit sends a latch signal to the power amplifier which shuts off the output stages and reduces the output current to under 10% of the current rating. The current latch trip point can be programmed, by three external current latch program bits, to one of eight values ranging from 2% to 100% of the output current rating. The current latch bits from storage are first converted to a corresponding analog reference value within the current comparator and latch circuit. Next, this reference value is compared with a sample of the output current (IOUT). If the output current equals or exceeds this reference value, a current overload condition exists. Approximately 5 μ sec after a current overload is detected; a latch signal is generated to reduce the output current. Should the load require a heavy initial current, the delay period between overload and latch can be extended up to 2msec by adding an external capacitor.

Status Feedback. Three feedback lines are available to furnish continuous status information to the controller. A flag line informs the computer when new voltage programming data is being processed by the DVS. Current overload and latch lines are activated if the DVS experiences a current overload or latch condition.

Digital Current Source (DCS)

The DCS is a bipolar Constant Current/Voltage Limiting power source. A DCS unit contains most of the same circuit elements that were shown for a DVS unit; including, interface and isolation circuits, storage, D/A converter, and a bi-polar output amplifier. One difference is, of course, that a DCS unit has a programmable voltage limit circuit rather than a programmable overcurrent circuit. The voltage limit circuit returns two overload status signals to the controller in a manner similar to the DVS overcurrent circuit.

The DCS also employs guarding techniques that are conceptually identical to those of the Precision Constant Current Source described earlier in this section. As mentioned previously, these guarding techniques prevent the flow of leakage current and allow a more precise regulation of the output current.

AC AND LOAD CONNECTIONS

Modern power supplies are flexible, high-performance instruments designed to deliver a constant or controlled output with a maximum of reliability and control versatility. In many cases, however, the user inadvertently degrades this performance capability by making improper wiring connections to the input or output. At best, this can result in excessive output ripple, a tendency toward oscillation, poor load and line regulation, and unnecessary degradation of stability, temperature coefficient, and transient recovery specifications. At worst, the result can be power supply failure and potential shock hazards.

Careful attention to the guidelines presented in this section will improve the safety and usefulness of power supplies. As a general rule, the guidelines should be followed in the sequence given, e. g., dc distribution terminals must be considered before common or ground connections.

The following checklist is included for quick reference to the most important rules in connecting dc power supplies; these rules are repeated with greater detail on the pages indicated.

CHECKLIST FOR AC AND LOAD CONNECTIONS

Each rule should be followed in the sequence indicated.

AC Power Input Connections

| | Page |
|--|------|
| 1. The ac, acc and third wire safety ground continuity should be retained without accidental interchange from ac power outlet to the power supply input terminals. | 60 |
| 2. If an autotransformer (or isolation transformer) is connected between the ac power source and the power supply input terminals, it should be rated for at least 200% of the maximum rms current required by the power supply. | 61 |
| 3. The autotransformer common terminal should be connected to the acc (not ac) terminals of both the power supply and the input power line. | 61 |
| 4. Most ac input line regulators should not be used with regulated power supplies without first checking with the power supply manufacturer. | 61 |
| 5. When connecting ac to a power supply, it is necessary to use a wire size which is rated to carry at least the maximum power supply input current. | 61 |

Load Connections for One Power Supply.

| | |
|---|----|
| 6. A single pair of terminals are designated as the positive and negative "DC Distribution Terminals" (DT's). | 62 |
| 7. One pair of wires should be connected directly from the power supply output terminals to the DT's, and a separate pair of leads from the DT's to each load. | 63 |
| 8. As an absolute minimum, each load wire must be of sufficient size to carry the power supply output current which would flow if the associated load terminals were short circuited. | 63 |
| 9. A local decoupling capacitor, if required, should be connected across each pair of load and distribution terminals. | 64 |
| 10. One of the DC Distribution Terminals should be designated as the "DC Common Point" (CP). | 68 |
| 11. One of the terminals which is connected to ground should be designated as the DC Ground | 72 |

- Point (GP).
12. The CP should be connected to the GP as shown in Figures 40 through 43 (unless one load is already grounded), making certain there is only one conductive path between these two points. 72
 13. Connections between the power supply sensing and output terminals should be removed and using shielded two-wire cable, the power supply sensing terminals should be connected to the DC Distribution Terminals as shown in Figure 49. 74
 14. One end of the shield should be connected to the CP and the other end should be left unconnected. 75
 15. The possibility of an open remote sensing path, which might occur on a long-term or transient basis, should be avoided. 75
 16. The minimum wire size for the load current leads (from the power supply output terminals to the DT's) should be determined for remote sensing. 77
 17. Check for the possibility of power supply oscillation when connected in the system for remote sensing. 77
 18. Check for proper current limiting operation while the power supply is connected in the system for remote sensing. 78

Load Connections for Two or More Power Supplies

19. There must be only one point of connection between the dc outputs of any two power supplies in the multiple power supply system—this point *must* be designated as *one* of the two DT's for *both* power supplies. 79
20. One of the (N + 1) DT's determined in accordance with the preceding rule is designated as the CP for the system. 79
21. There must be only one GP per multiple power supply system. 79
22. Connect the System CP to the System GP (unless one load is already grounded), making certain there is only one conductive path between these two points for the entire system. 79

AC POWER INPUT CONNECTIONS

The ac, acc and third wire safety ground continuity should be retained without accidental interchange from ac power outlet to the power supply input terminals.

Accidental interchanging of ac and safety ground leads may result in the power supply chassis being elevated to an ac potential equal to the line input voltage. This could result in a potentially lethal shock hazard, if the chassis is *not* grounded; or blown fuses, if the chassis *is* grounded.

If ac and acc are accidentally interchanged, the power supply switches and fuses are thereby placed in series with the ground side of the power line instead of the hot side—if the power supply ac line switch is turned off or the fuse opens, the hot side of the power line will be connected to exposed components within the power supply.

Accidental interchanging of acc and ground leads places the chassis at the acc potential giving rise to circulating ground currents flowing through the power supply chassis and other associated ground return paths—the result is often excessive power supply output ripple and malfunction of associated instrument.

Autotransformers

An autotransformer (or isolation transformer) connected between the ac power source and the power supply input terminals should be rated for at least 200% of the maximum rms current required by the power supply.

Because a power supply input circuit does not draw current continuously, the input current wave is not sinusoidal, and the peak-to-rms ratio is generally greater than $\sqrt{2}$, and can be as high as two or more at full output. To avoid autotransformer saturation and consequent limiting of peak input current, the autotransformer must have a rating higher than suggested by the power supply's rms input current. Failure to follow this precaution may result in the power supply not meeting its specifications at full output voltage and current.

The autotransformer common terminal should be connected to the acc (not ac) terminals of both the power supply and the input power line. If acc is not connected to the common terminal of the autotransformer, the input acc terminal of the power supply will have a higher than normal ac voltage connected to it, contributing to a shock hazard and, in some cases, greater output ripple.

Line Regulators

Most ac input line regulators should not be used with regulated power supplies without first checking with the power supply manufacturer. Such regulators tend to increase the impedance of the line in a resonant fashion, and can cause malfunctioning of power supplies particularly if they employ SCR or switching type regulators or pre-regulators. Moreover, since the control action of the most common line voltage regulators is accompanied by a change in the output waveshape, their advantage in providing a constant rms input to a power supply is small. Often these waveshape changes are just as effective in causing output voltage changes of the power supply as the original uncorrected line voltage amplitude changes.

Input AC Wire Rating

When connecting ac to a power supply, it is necessary to use a wire size which is rated to carry at least the maximum power supply input current. In addition, a check should be made to determine whether a still larger wire size will be required to retain a sufficiently low impedance from the service outlet to the power supply input terminals, particularly if a long cable is involved.

As an extreme example, many power supplies would fail to function properly if the IZ drop in the input cable approached 10% of the line voltage even though the wire size had an adequate *current* rating, and even though the voltage at the power supply terminals was not below the rated input range specified by the manufacturer.

As a general guideline, input cables should employ wire size sufficient to insure that the IZ drop at maximum rated power supply input current will not exceed 1% of the nominal line voltage.

LOAD CONNECTIONS FOR ONE POWER SUPPLY

The simplest (and most common) example of improper load wiring is illustrated in Figure 34. Each load sees a power supply voltage which is dependent upon the current drawn by the other loads and the IZ drops they cause in some portion of the load leads. Since most power supply loads draw a current which varies with time, a time-varying interaction among the loads results. In some cases this interaction can be ignored, but in most applications the resulting noise, pulse coupling, or tendency toward inter-load oscillation is undesirable and often unacceptable.

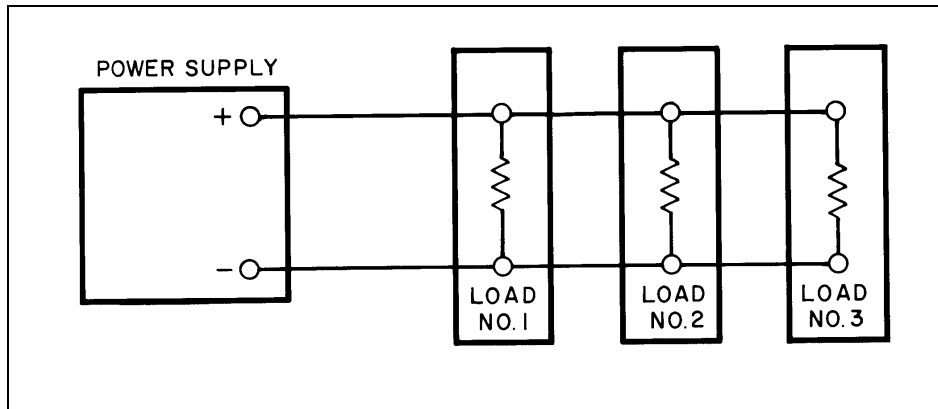


Figure 34. Improper Load Connections

DC Distribution Terminals

A single pair of terminals are designated as the positive and negative "DC Distribution Terminals" (DT's).

These two terminals may be the power supply output, the B+ at the load, or a separate pair of terminals established expressly for distribution. Proper location of the DT's results in improved over-all performance and reduced mutual coupling effects between separate loads using the same power supply. If remote sensing is not used, locate the DT's as close as possible to the power supply output terminals - optimum performance will result when the power supply output terminals themselves are used as the DT's. (See Figure 35.)

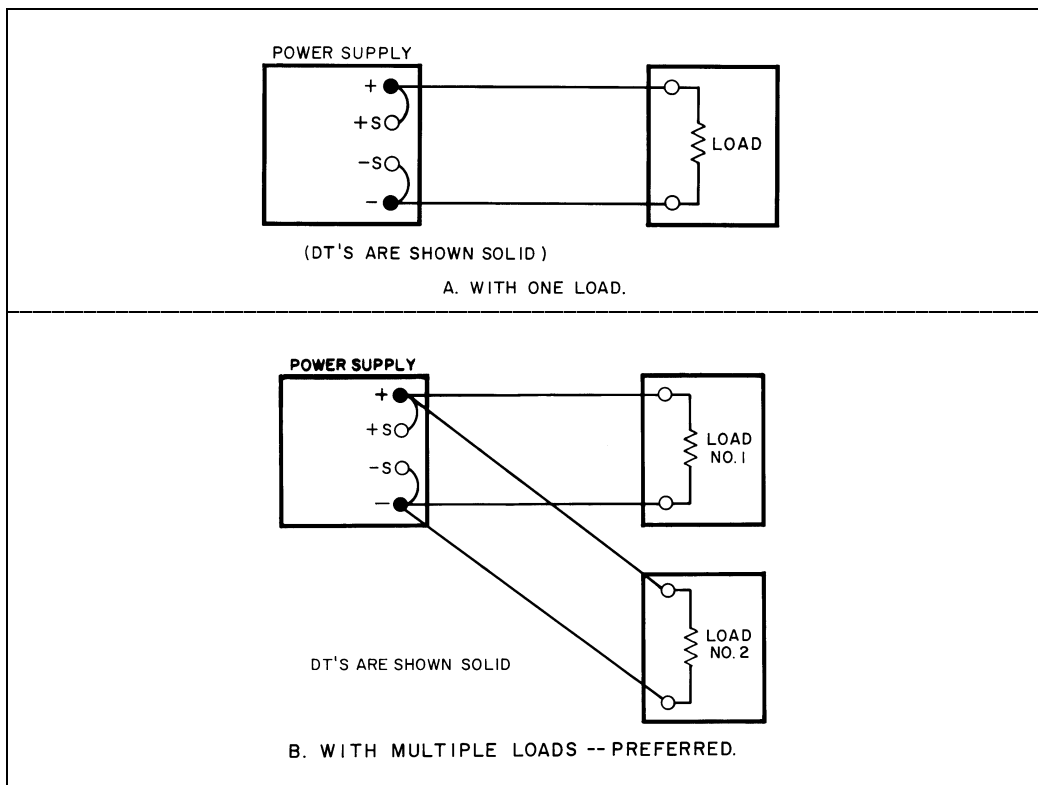


Figure 35. Location of DC Distribution Terminals Remote Sensing

If remote sensing is employed, the DT's should be located as close as possible to the load terminals - sensing leads should then be connected from the power supply sensing terminals to the DT's (see Figure 36). (See Figure 47 for further details on remote sensing.)

One pair of wires should be connected directly from the power supply output terminals to the DT's, and a separate pair of leads from the DT's to each load. There should be no direct connection from one load to another, except by way of the DC Distribution Terminals.

Although for clarity the diagrams show the load and sensing leads as straight lines, some immunity against pick-up from stray magnetic fields is obtained by twisting each pair of (+) and (-) load leads. In addition all sensing leads should be shielded.

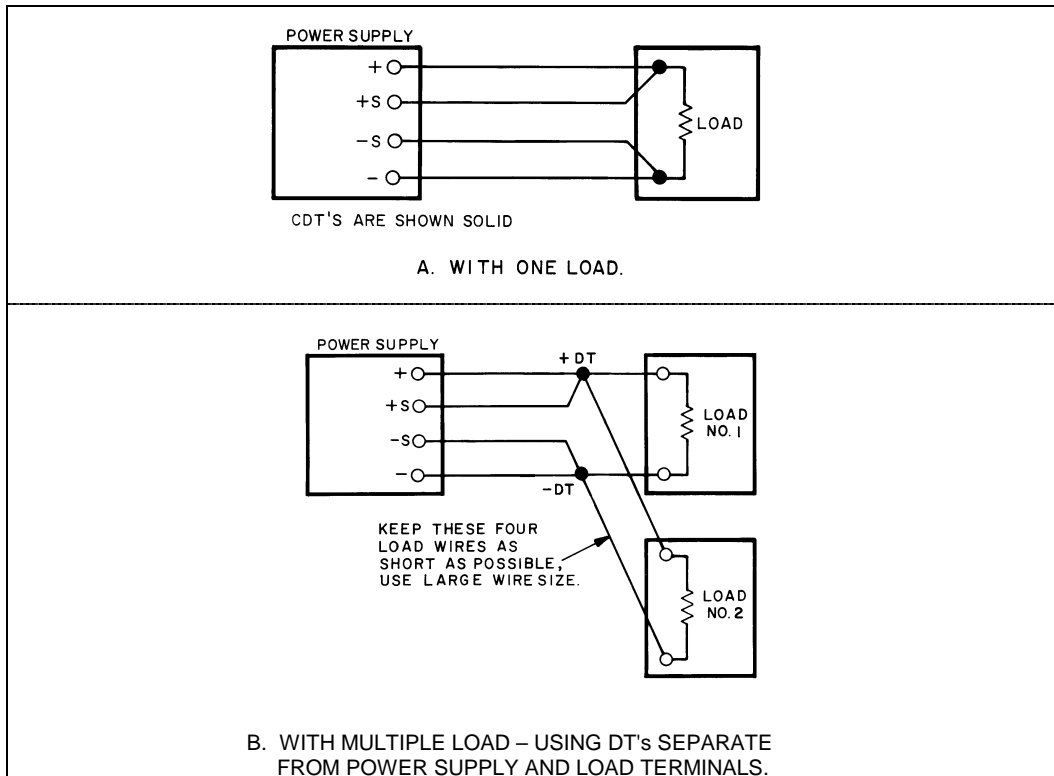


Figure 36. Location of DC Distribution Terminals with Remote Sensing

Load Wire Rating

As an absolute minimum, each load wire must be of sufficient size to carry the power supply output current which would flow if the associated load terminals were short circuited. However, impedance and coupling considerations usually dictate the use of load current wires larger than required simply to satisfy current rating requirements.

Power supplies and load wires are usually thought of in terms of their schematic equivalents - the battery symbol and line connections. The simplistic circuit models which these symbols imply are adequate for many purposes, but more exact models must be used when evaluating the regulation properties of a power supply connected to its load(s).

The battery symbol represents an ideal constant voltage source with perfect regulation and zero output impedance at all frequencies, but every regulated power supply has some small output impedance at high frequencies. Thus a more exact circuit model for a power supply includes an equivalent source resistance and inductance as shown in Figure 37. R_S is the power supply output impedance at dc, and is found by dividing the load regulation by the current rating; for example, a power supply which has a load regulation of 10mV for a full load change of 10 amps has an equivalent R_S of 1 milliohm, a typical value. Similarly, a power supply with an output impedance of 0.2 ohms at 100KHz and 2 ohms at 1MHz has an equivalent high frequency output inductance L_S of 0.3 μ H - again a value typical of high performance power supplies.

The connecting lines on a schematic represent *ideal* connection between two points, but the physical wires used to connect any two terminals (such as power supply and load) are characterized by distributed resistance, inductance, and capacitance. For determining necessary load wire sizes, it is usually sufficient to consider only the equivalent lumped constant series resistance and inductance ($L_0, L1, L2 \dots$ and $R_0, R1, R2 \dots$). Given the wire size and length, these lumped equivalents can be determined from wire tables and charts.

In general, the power supply performance degradation seen at the load terminals becomes significant whenever the wire size and length result in a load wire impedance comparable to or greater than the equivalent power supply output impedance. With one load, this degradation can be evaluated by comparing $2R_0$ with R_S , and $2L_0$ with L_S . The total impedance seen by the load is $Z_T = (R_S + 2R_0) + j\omega(L_S + 2L_0)$, and the variation of the dc load voltage caused by a sinusoidal variation of load current is $E_{ac} = I_{ac} Z_T$. If load current variations are more pulse- or step-shaped than sinusoidal, then the resulting load voltage "spike" will have a magnitude of $e_L = L_T (di/dt)$, where $L_T = L_S + 2L_0$, and di/dt is the maximum rate of change of load current.

If these calculations indicate that the resulting variations in dc voltage provided to the load are greater than desired, then shorter and/or larger load leads are required.

With multiple loads (Figure 37B), it is necessary to consider separately the common or mutual impedance seen by the loads, $R_S + 2R_0 + j\omega(L_S + L_0)$, and the added impedance seen by each load individually, $2(R1 + j\omega L1)$, $2(R2 + j\omega L2)$, etc. Remember that the *mutual* impedance presents an opportunity for a variation of *one* load current to cause a dc voltage variation at *another* load. If the loads are pulse or digital circuits, false triggering may result. Similarly, if one load is the output stage of a high gain amplifier, and another load contains low level stages feeding the same signal path, unintentional feedback may occur via this mutual impedance, with resulting amplifier oscillation.

Connecting remote sensing to the load terminals of Figure 37A or the DT's of Figure 37B has the effect of reducing R_0 by a factor equal to the loop gain of the power supply regulator, usually of the order of 10^3 , 10^4 , or 10^5 . However, remote sensing does not in general alter the effective value of L_0 seen by the load, since L_0 predominates at frequencies above the bandwidth of the power supply regulator.

Since remote sensing affords little or no reduction in the effective load wiring impedance at high frequencies, some amount of capacitive load decoupling is sometimes desirable, particularly when multiple loads are connected to a power supply.

Load Decoupling

A local decoupling capacitor, if required, should be connected across each pair of load and distribution terminals. This reduces the high frequency impedance seen by any individual load looking back toward the power supply, and reduces high frequency mutual coupling effects between loads fed from the same supply. The use of load decoupling capacitors is most often employed with multiple loads drawing pulse currents with short rise times. Without local decoupling these current changes can cause spikes which

travel down the load distribution wires and falsely trigger one of the other loads.

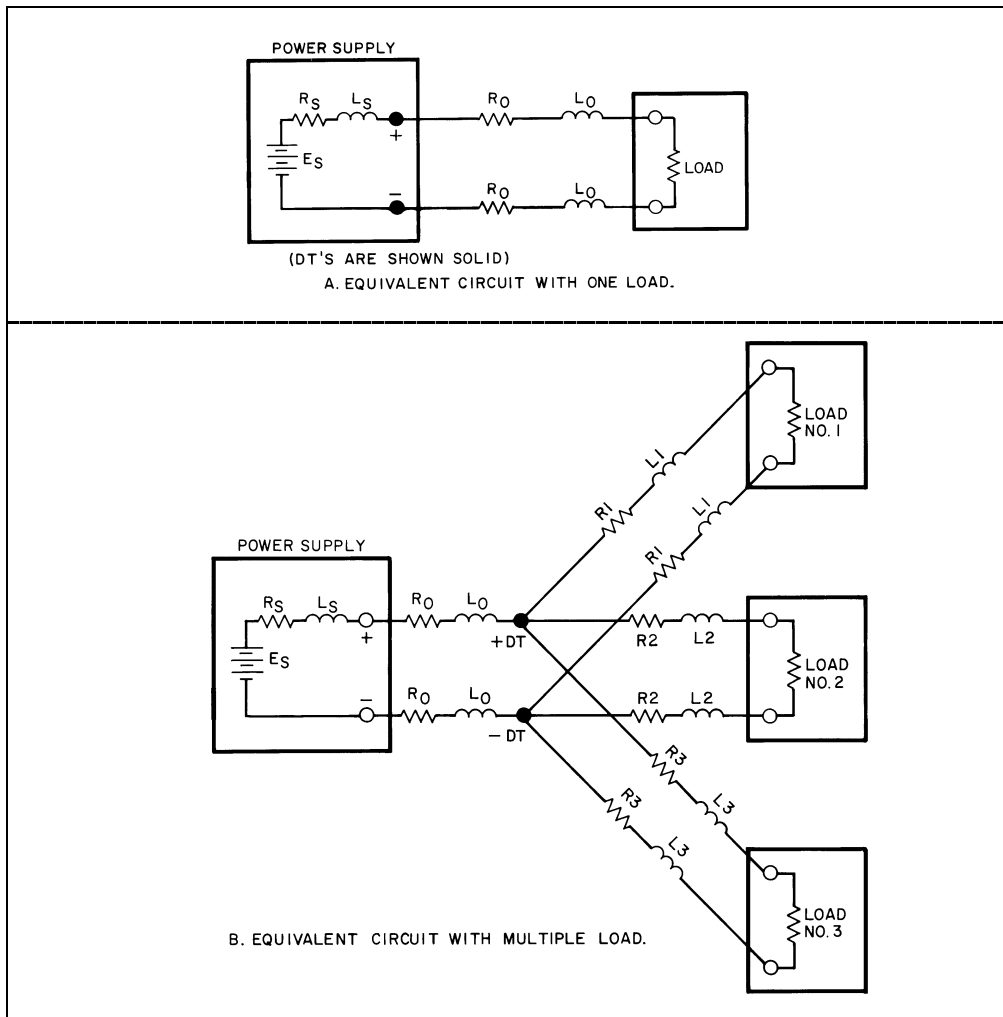


Figure 37. Power Supply and Load Wiring Equivalent Circuits

To be effective, the high frequency impedance of local decoupling capacitors C_0 , C_1 , C_2 , and C_3 (Figure 38) must be lower than the impedance of wires connected to the same load. Thus a decoupling capacitor must be chosen with care, with full knowledge of its *inductance and effective series resistance*, as well as its capacitance. Moreover, it is imperative that the *shortest possible leads* be used to connect local decoupling capacitors *directly to the load and DT terminals* (not to other points along the dc wiring paths) so that the wiring impedance between the capacitor and its connection point is minimized.

Ground Loops

This is the most persistent, subtle, difficult-to-analyze, and generally troublesome problem connected with power supply wiring. The origins of ground loop problems are so diverse that empirical solutions are frequently resorted to. Nevertheless, a little extra thought and care will reduce, and in most cases eliminate, the need for an empirical approach.

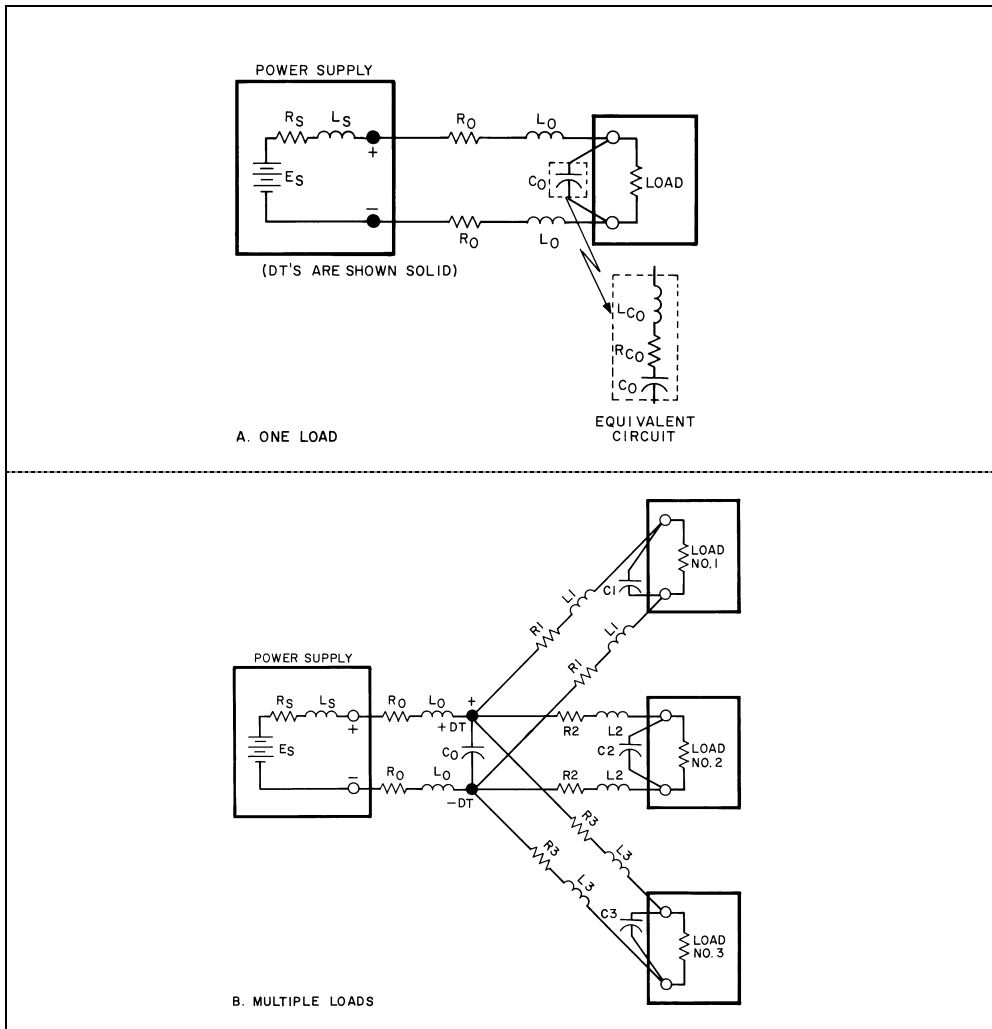


Figure 38. Local Decoupling Capacitors

The ideal concept of a single "quiet" ground potential is a snare and a delusion. *No* two ground points have exactly the same potential. The potential differences in many cases are small, but even a difference of a fraction of a volt in two ground potentials will cause amperes of current to flow through a complete ground loop (any circuit with more than one ground point).

To avoid ground loop problems, there must be *only one ground return point in a power supply system* (the power supply and all its loads, and all other power supplies connected to the same loads). However, the selection of the best DC Ground Point is dependent upon the nature and complexity of the load and the dc wiring, and there are practical problems in large systems which tend to force compromises with the ideal grounding concept.

For example, a rack mounted system consisting of separately mounted power supplies and loads generally has multiple ground connections -- each instrument usually has its own chassis tied to the third "Safety Ground" lead of its power cord, and the rack is often connected by a separate wire to "Safety Ground" (the cold water pipe). With the instrument panels fastened to the rack frame, circulating ground currents are inevitable. However, as long as these ground currents are confined to the "Ground System" and do not flow through any portion of the power supply dc distribution wiring, the effect on system performance is probably negligible. To

repeat, separating the dc distribution circuits from any conductive paths in common with ground currents will in general reduce or eliminate ground loop problems.

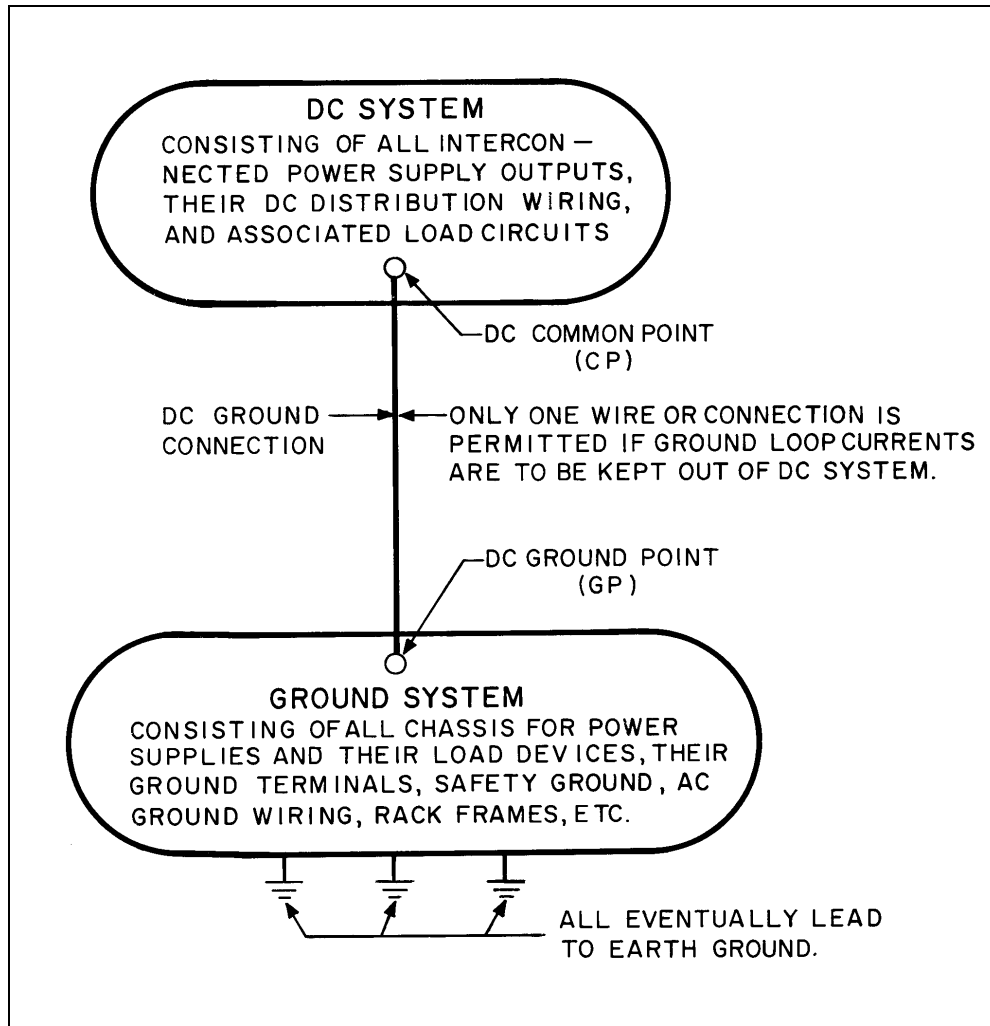


Figure 39. Isolating Ground Loop Paths from DC System

The only way to avoid such common paths is to connect the dc distribution system to ground with only one wire. Figure 39 illustrates this concept. DC (and signal) currents circulate within the DC System, while ground loop currents circulate within the Ground System.

Providing there is only one connection between the two systems, the ground loop currents do not affect the power supply dc output and load circuits.

Notice that any magnetic coupling between the DC System and Ground System, or any capacitive leakage from the DC System to ground can provide a return path enabling additional ground loop current to link both the DC System and Ground System.

DC Common

One of the DC Distribution Terminals should be designated as the "DC Common Point" (CP). There should be only one DC Common Point per DC System. If the supply is to be used as a positive source, then the minus DC Distribution Terminal is the DC Common Point; if it is to be a negative source, then the plus DT is the CP. Here are some additional suggestions for selecting the best DC Common Point for five different classes of loads:

a. Single Isolated Load--Select either the positive or negative DC Distribution Terminal as the DC Common Point. A single isolated load exists when a power supply is connected to only one load, and that load circuit has no internal connections to the chassis or ground. If the power supply output terminals are to be used as the DC Distribution Terminals, then the DC Common point will be either the positive or negative power supply output terminal (Figure 40A). On the other hand, if remote sensing is to be employed and the load terminals will serve as the DT's, then either the positive or negative load terminal is designated as the CP (Figure 40B).

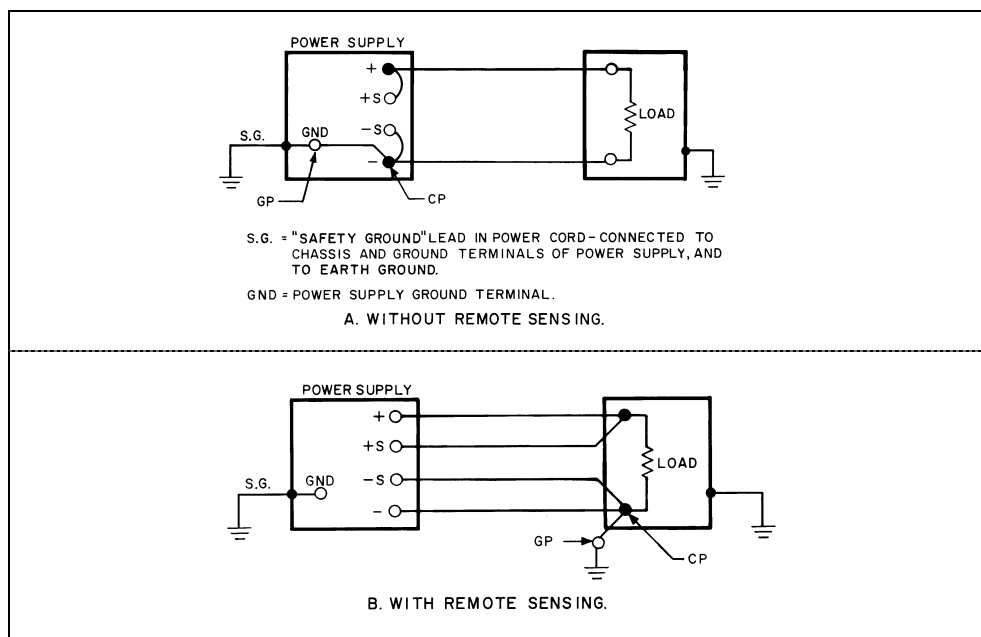


Figure 40. Preferred Ground Connections for Single Isolated Load

b. Multiple Ungrounded Loads--Select the positive or negative DC Distribution Terminal as the DC Common Point. This alternative is applicable when there are two or more separate loads with separate pairs of load leads, and none of the load circuits has internal connections to chassis or ground (Figure 41).

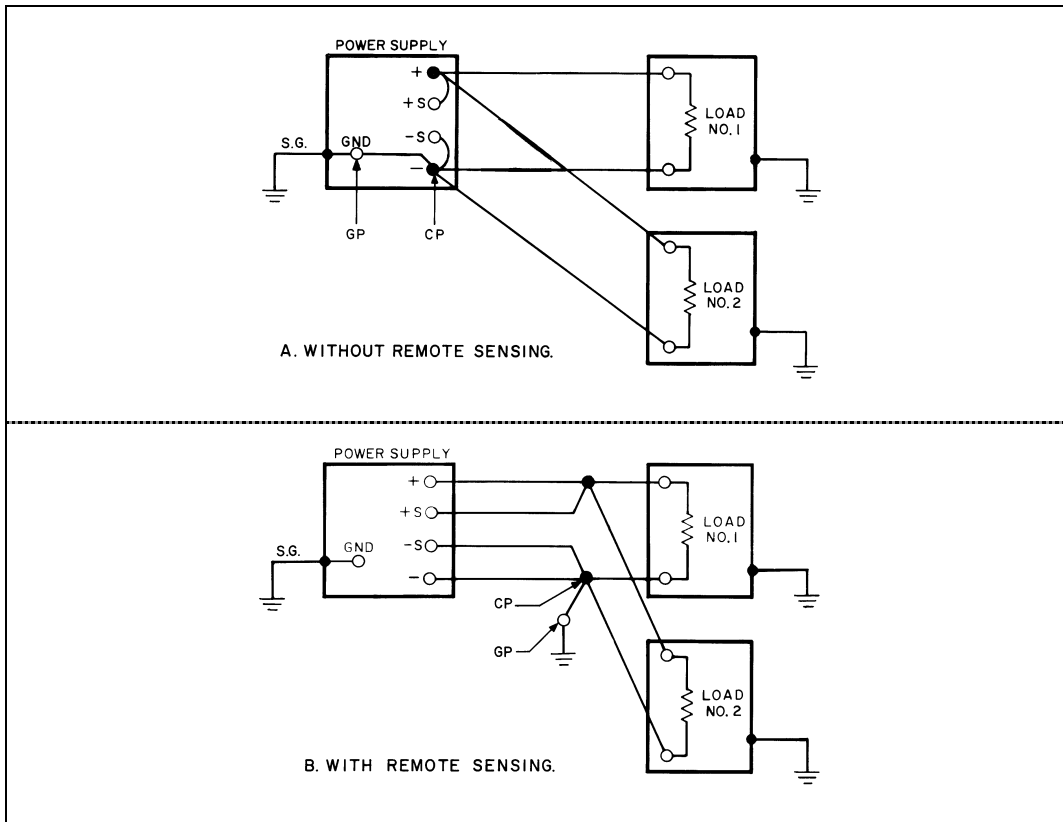


Figure 41. Preferred Ground Connections for Multiple Loads, All Isolated

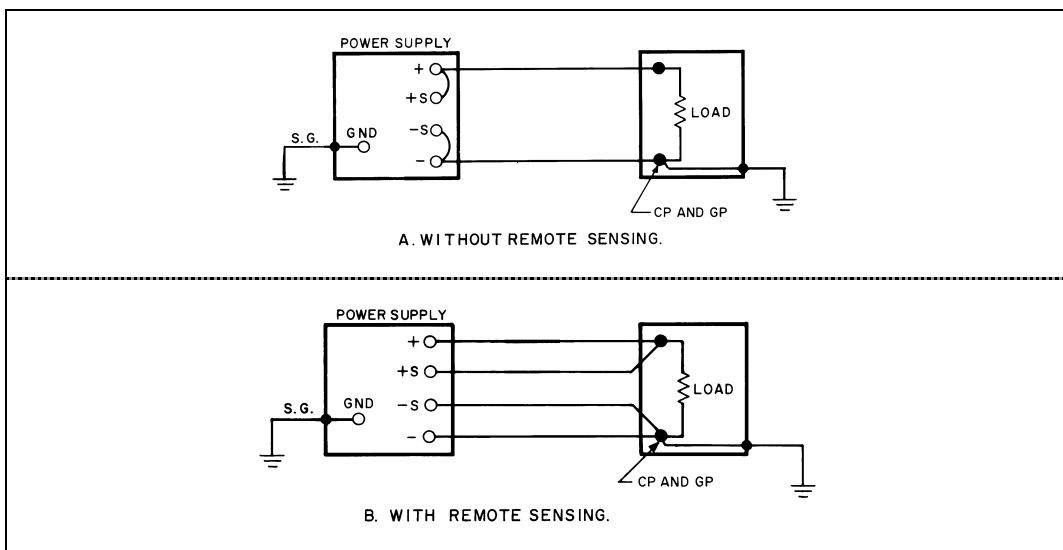


Figure 42. Preferred Ground Connections for Single Grounded Loads

c. Single Grounded Load--The load terminals of the grounded load must be designated as the DT's and the grounded terminal of the load is necessarily the CP (Figure 42).

This method of CP selection is followed when there is only one load and it has an essential (internal)

connection to ground or chassis--or when there are multiple loads and only one has an internal connection to ground or chassis (Figure 43).

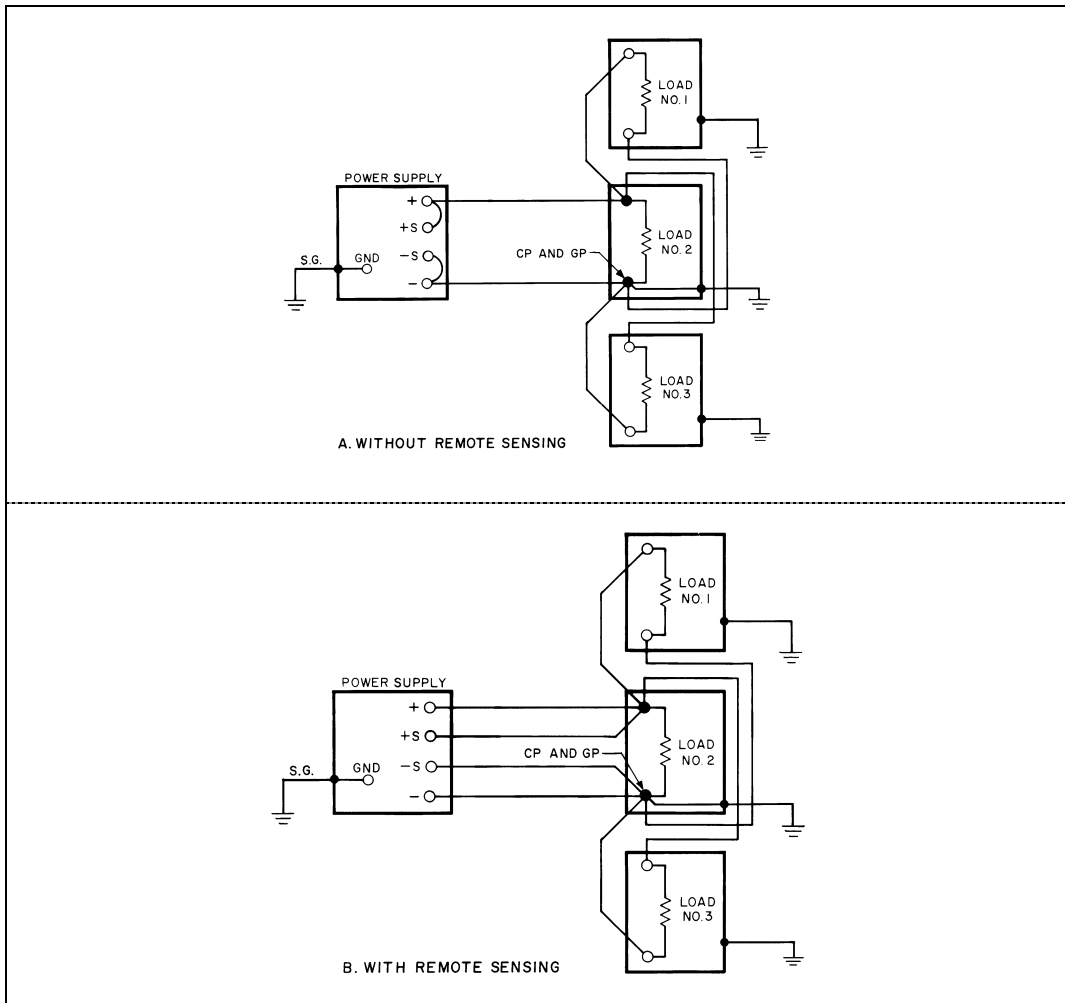


Figure 43. Ground Connections for Multiple Loads, One Grounded

d. Multiple Loads, Two or More of Which are Individually Grounded--This is an undesirable situation and must be eliminated if at all possible. Ground loop currents circulating through the dc and load wiring cannot be avoided as long as separate loads connected to the same power supply (or dc system) have separate ground returns (Figure 44).

One solution is to break the circuit connection to ground in all of the loads and then select the DC Common Point following alternative (b) on page 68, or break the circuit connection to ground in all but one of the loads and treat as in (c). In other cases the only satisfactory solution is to increase the number of power supplies, operating each grounded load from its own separate supply, and treating each combination of power supply and load as in (c). However, in this case any conductive path remaining between the loads may degrade load performance, and any conductive path between power supplies (except via their respective load grounds) will probably degrade both power supply and load performance.

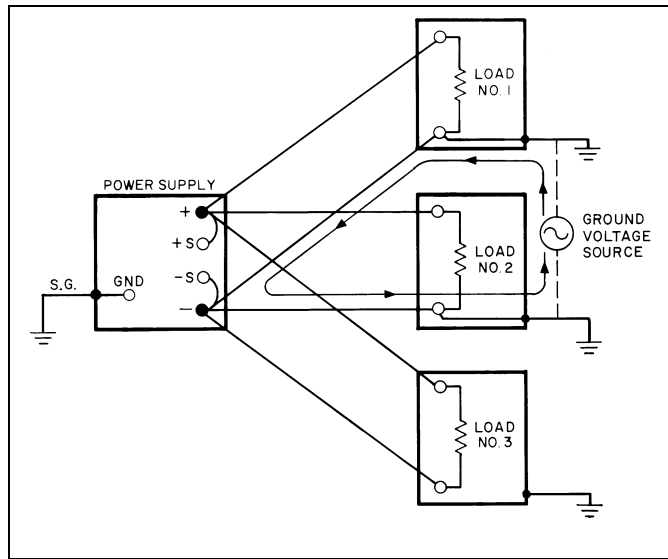


Figure 44. Ground Connections for Multiple Loads, Two or More Grounded

- e. **Load System Floated as a DC Potential Above Ground** In some applications it is necessary to operate the power supply output at a fixed voltage above (or below) ground potential. In these cases it is usually advantageous to designate DC Common Point using whichever of the preceding four alternatives is appropriate, just as though conductive grounding would be employed. Then this DC Common Point should be "shorted" to the DC Ground Point through a $1\mu\text{F}$ capacitor (Figure 45).

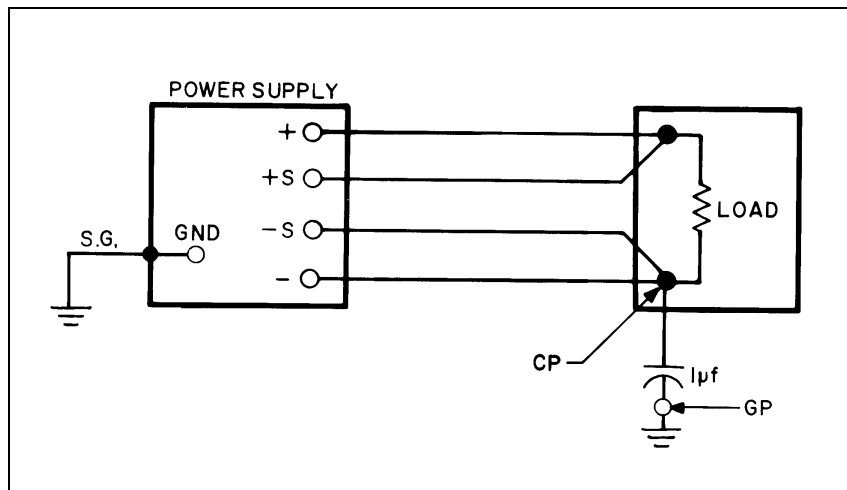


Figure 45. Floating Load

In some special applications, however, (e. g., bridge load circuits) neither conductive nor capacitive grounding of the dc load distribution system is appropriate, since such grounding would also short out the desired output signal being generated by the bridge.

DC Ground Point

The CP should be connected to the GP as shown in Figures 40 through 43 (unless one load is already grounded), making certain there is only one conductive path between these two points. This connection should be such that the total impedance from the DC Common for example, be the separate ground terminal located on one of the power supplies or loads in a system, or it may be a special system ground terminal, bus, or plane established expressly for ground connection purposes.

The CP should be connected to the GP as shown in Figure 40 through 43 (unless one load is already grounded), making certain there is only one conductive path between these two points. This connection should be such that the total impedance from the DC Common Point to the DC Ground Point is not large compared with the impedance from the GP to earth ground. Braided leads are sometimes used to further reduce the high frequency component of this ground load impedance.

Sometimes the impedance between the CP and the GP is minimized by using a single terminal or bar for both. In these cases, care should be taken that all DC System connections are made at *one* end of the terminal or bar, and any Ground System connection at the other, so that the DC and Ground System currents are not intertwined.

When checking for unintentional paths from dc to ground, be sure that any straps or wires between power supply output and ground terminals have been removed (unless, of course, this is the single desired connection between the CP and the GP).

Remote Error Sensing (Constant Voltage Operation Only)

Normally, a power supply achieves its optimum load and line regulation, its lowest output impedance, drift, ripple and noise, and its fastest transient recovery performance at the power supply output terminals (Figure 46).

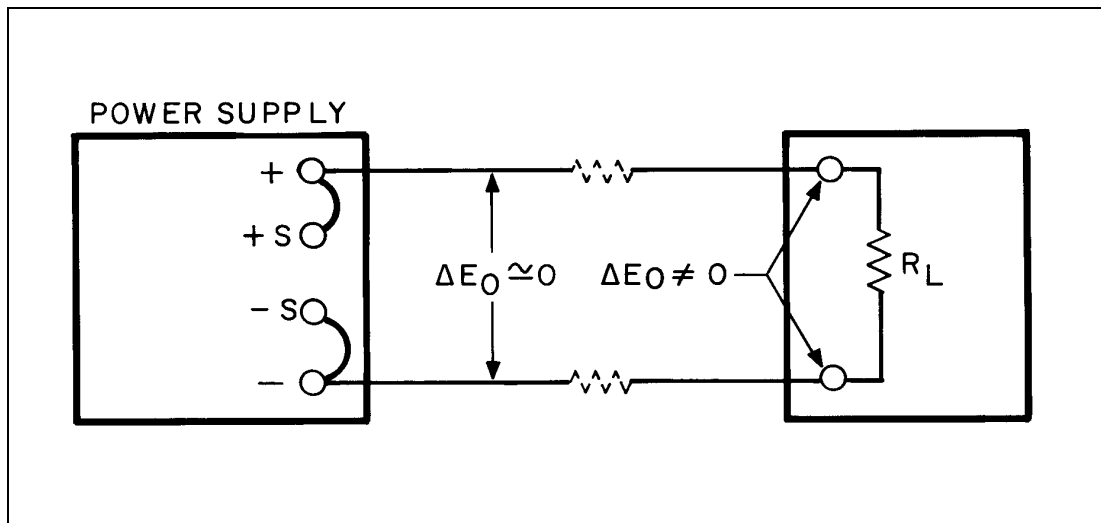


Figure 46. Regulated Power Supply with Local (Normal) Error Sensing

If the load is separated from the output terminals by any lead length, some of these performance characteristics will be degraded at the load terminals--usually by an amount proportional to the impedance of the load leads compared with the output impedance of the power supply.

Some idea of how easily even the shortest leads can degrade the performance of a power supply at the load terminals can be obtained by comparing the output impedance of a well-regulated power supply (typically of the order of 1 milliohm or less at dc and low frequencies) with the resistance of the various wire sizes listed in the following chart.

| AWG (B & S) WIRE SIZE | Annealed Copper Resistance at 20°C milliohms/ft. | Nominal current rating (amps)* |
|--------------------------|---|--------------------------------|
| 22 | 16.1 | 5 |
| 20 | 10.2 | 7 |
| 18 | 6.39 | 10 |
| 16 | 4.02 | 13 |
| 14 | 2.53 | 20 |
| 12 | 1.59 | 25 |
| 10 | 0.999 | 40 |
| 8 | 0.628 | 55 |
| 6 | 0.395 | 80 |
| 4 | 0.249 | 105 |
| 2 | 0.156 | 140 |
| 0 | 0.0993 | 195 |
| 00 | 0.0779 | 260 |

* Single conductor in Free Air at 30°C with rubber or thermoplastic insulation

With remote error sensing (Figure 47), a feature included on nearly all Agilent power supplies, it is possible to connect the feedback amplifier directly to the *load* terminals so that the regulator performs its function with respect to the output terminals of the power supply. Thus, the voltage at the power supply output terminals shifts by whatever amount necessary to compensate for the IR drop in the load leads, thereby retaining the voltage at the load terminals constant.

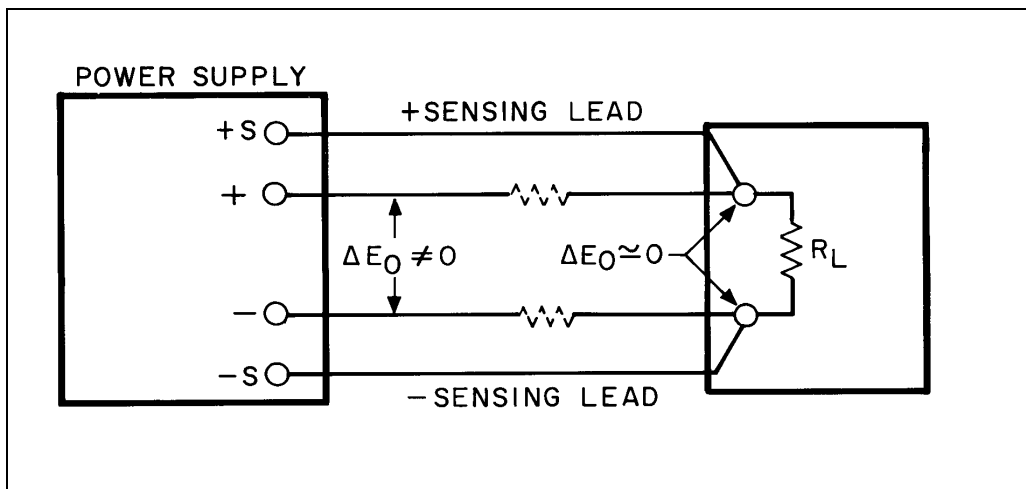


Figure 47. Regulated Power Supply with Remote Error Sensing

Figure 48 shows remote sensing connections to the regulator circuit. Remote error sensing simply involves operating the input comparison amplifier Q1 with reference to the load terminals instead of the output terminals of the power supply.

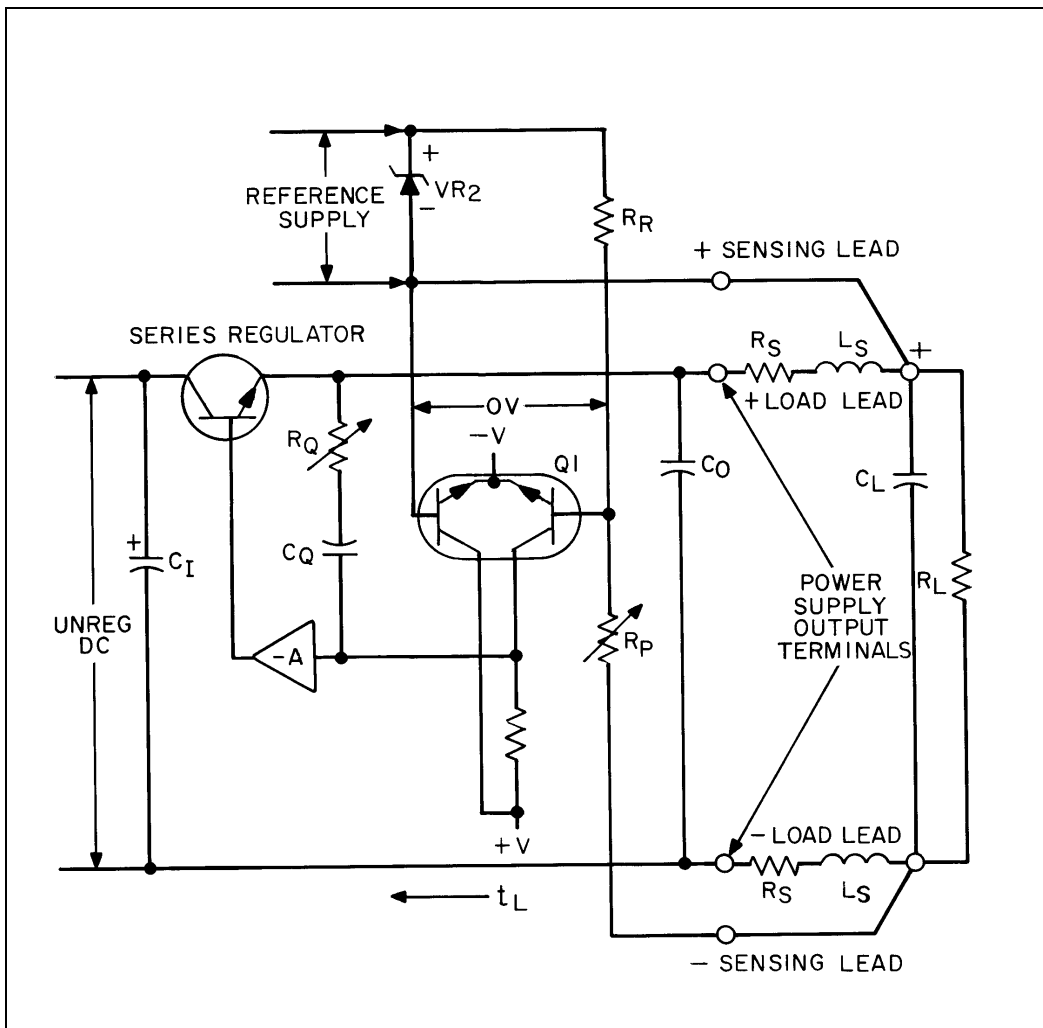


Figure 48. Constant Voltage Regulator with Remote Error Sensing

Remote Sensing Connections

Connections between the power supply sensing and output terminals should be removed, and using shielded two-wire cable, the power supply sensing terminals should be connected to the DC Distribution Terminals as shown in Figure 49. Do not use the shield as one of the sensing conductors. Although for clarity the diagram shows the load leads as straight lines, some immunity against pick-up from stray magnetic fields is obtained by twisting each pair of (+) and (-) load leads.

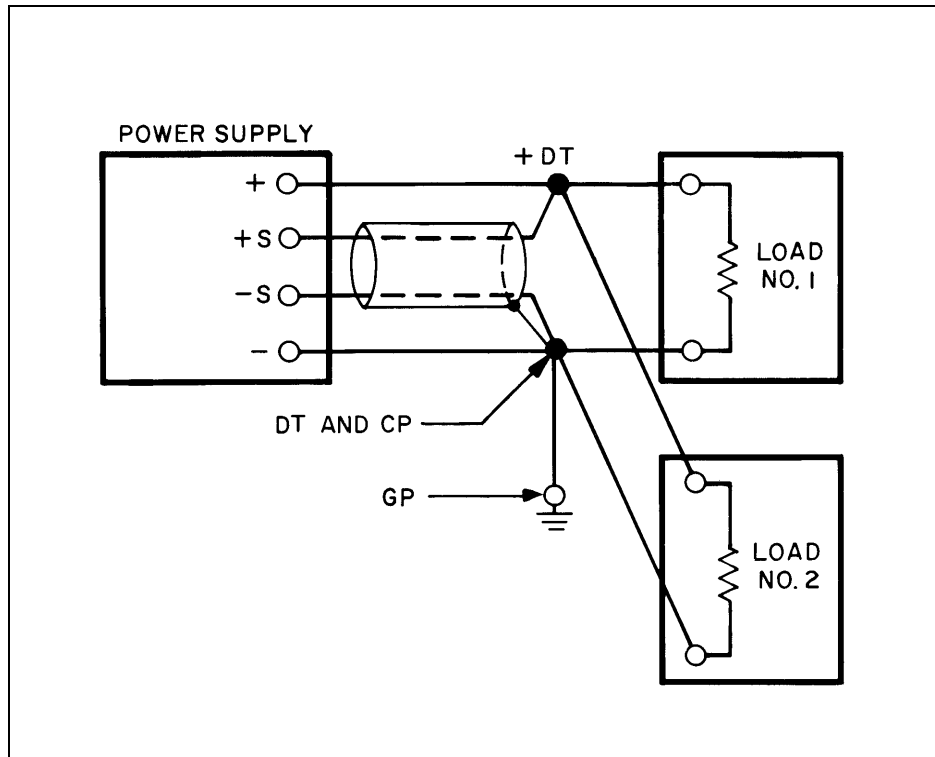


Figure 49. Remote Sensing Connections

Typically, the sensing current is 10mA or less. To insure that the temperature coefficient of the sensing leads will not significantly affect the power supply temperature coefficient and stability specifications, it is necessary to keep the IR drop in the sensing conductors less than 20 times the power supply temperature coefficient (stated in millivolts/°C). This requirement is easily met using readily available small size shielded two-wire cable--except in applications involving very long sensing leads of unusually well regulated power supplies with very low TC and stability specifications.

One end of the shield should be connected to the CP and the other end should be left unconnected. In nearly all cases this method of connecting the sensing shield will minimize ripple at the Load Distribution Terminals. However, in rare cases a different ground return point for this shield is preferable-- it is important in such cases to experimentally verify that this relative advantage applies under all possible combinations of load and line.

Protecting Against Open Sensing Leads

The possibility of an open remote sensing path, which might occur on a long-term or transient basis, should be avoided. Such open circuit conditions are likely if the remote sensing path includes any relay, switch, or connector contacts; any interruption of the connections between the power supply sensing terminals and the DC Distribution Terminals should be avoided wherever possible.

When a sensing open occurs, the regulator circuit within the supply reacts as though the load voltage were zero-- usually, the output voltage corrects this deficiency by climbing rapidly toward the maximum rectifier voltage, a value which is significantly larger than the power supply's maximum rated output voltage. Even if the power supply output circuitry is designed to withstand this extreme, the chances are that the load is not.

To reduce the degree of output overshoot which can result from accidentally opened remote sensing connections, many regulated power supplies include internally wired resistors or small silicon diodes as shown in Figures 50 and 51. If they are not part of the power supply, and if the power supply application involves long sensing leads, sensing paths which include relay, switch, or connector contacts, or any other likely cause of even momentary open-circuits in the remote sensing paths; then the user should add either resistors or silicon diodes.

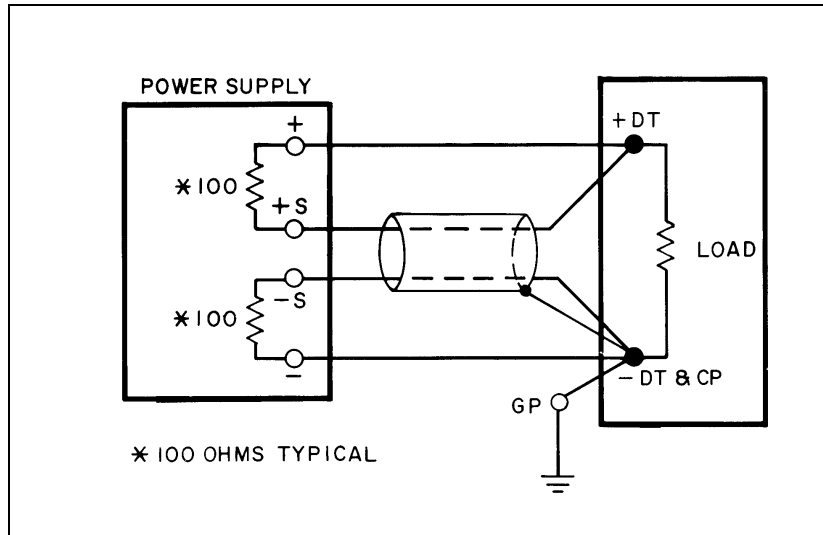


Figure 50. Remote Sensing Protection with Resistors

If the diode configuration of Figure 51 is employed, operation will be satisfactory up to about 0.5 volts drop in either load lead (between a power supply output terminal and the corresponding DC Distribution Terminal); for greater drops use two or more diodes in series.

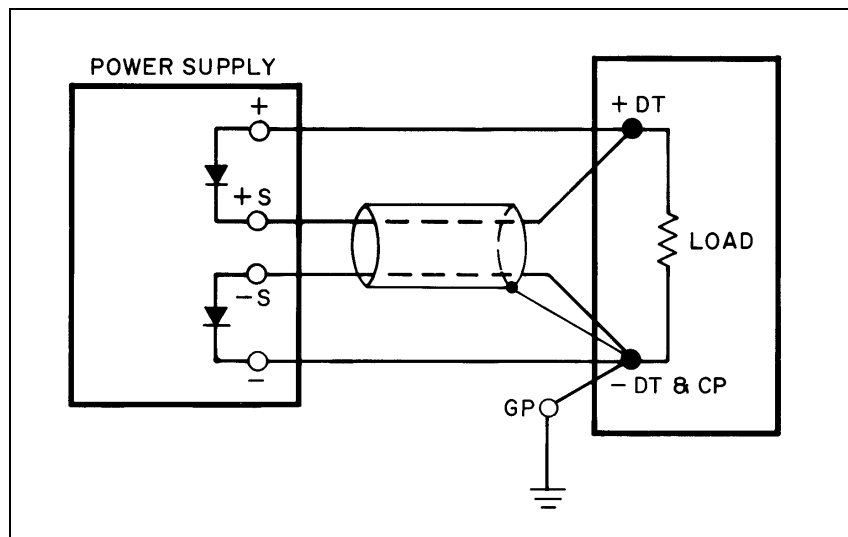


Figure 51. Remote Sensing Protection with Diodes

If the resistor configuration of Figure 50 is included by the manufacturer or added by the user, it may be necessary to check that the power rating of this resistor is adequate, particularly for sizable sensing drops. Remember that the actual dissipation in the remote sensing protection resistors is ED^2/R , where ED is the IR drop from either power supply output terminal to the corresponding DT, and R is the ohmic value of the protective resistor.

Load Wire Ratings

The minimum wire size for the load current leads (from the power supply output terminals to the DT's) should be determined. Most well regulated power supplies have an upper limit to the load current IR drop around which remote sensing may be accomplished without losing proper regulation control. This maximum limitation is typically 0.5, 1, or 2 volts, and may apply to the positive, negative, or both the positive and negative output leads - consult the instruction manual or the manufacturer if in doubt concerning the exact limitation applicable to a particular supply.

In addition, it must be remembered that voltage lost in the load leads reduces the voltage available for use at the load. This is usually not significant at high voltages, but a typical 10-volt power supply will only have 6 volts left for load use if 2 volts are dropped in each load lead --remote sensing does not increase the total voltage available from the power supply rectifier and regulator!

Either of these two factors will, in some cases, lead to a wire size selection which is larger than dictated by a consideration of wire current rating or impedance.

Output Oscillation

Check for the possibility of power supply oscillation when connected in the system for remote sensing. Figure 52 illustrates that the impedance of the load leads is included inside the power supply feedback loop. In remote sensing applications involving small or long load wires, there is a tendency for power supply oscillation to occur due to the phase shift and added time delay associated with the load and sensing leads.

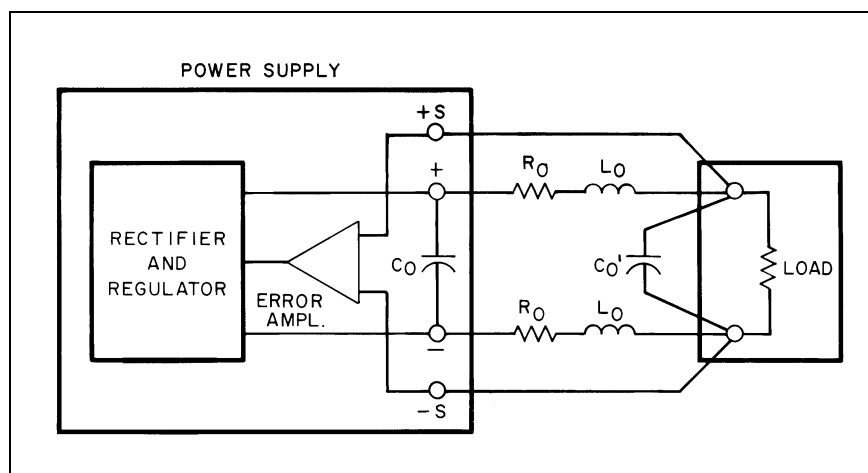


Figure 52. Effect of Load Lead Impedance on Remote Sensing

Removal of such tendency toward oscillation is usually done empirically. In some cases readjusting a "transient recovery" or "loop stability" control inside the supply will be adequate--in more severe cases the power supply loop equalization may have to be redesigned and tailored for the application.

As suggested previously, capacitor C_0' is commonly included in order to suppress load transients and reduce the

power supply impedance at the load at high frequencies. However, the capacitor must be chosen with care if power supply oscillation is to be avoided, since any capacitor resonances or other tendency toward high impedance within or near the bandpass of the power supply regulator will reduce loop stability. It is therefore common in extreme remote sensing applications to remove C_o from the power supply and use it as C_o' .

Proper Current Limit Operation

Check for proper current limiting operation while the power supply is connected in the system for remote sensing. With some power supply designs, the resistance of one of the current carrying leads adds to the resistance used for current limit monitoring, thereby reducing the threshold value at which current limiting begins. The current limit value should not change significantly while shorting -S to -OUT and +S to +OUT at the power supply. If it does, refer to the instruction manual for corrective adjustments, or contact the manufacturer.

LOAD CONNECTIONS FOR TWO OR MORE POWER SUPPLIES

The extension of the preceding single power supply concepts to multi-power supply systems (Figure 53) is simple and direct, requiring only the application of the following additional rules.

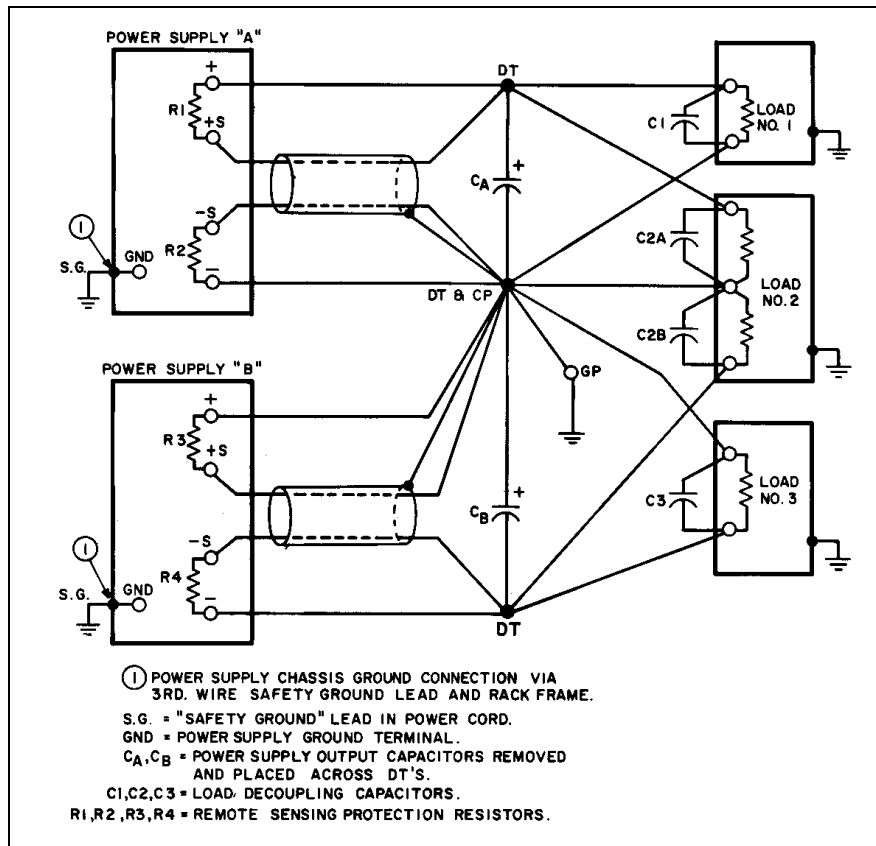


Figure 53. Load Connections for Multiple Power Supplies

DC Distribution Terminals

There must be only one point of connection between the dc outputs of any two power supplies in the multiple

power supply system - this point must be designated as one of the two DT's for both power supplies.

Thus there are *exactly* $(N + 1)$ DT's in any system, where N is the number of power supplies (excluding the possibility of parallel supplies sharing the same distribution terminals or series power supplies with unused intermediate terminals).

This rule eliminates the possibility of circulating dc currents, while insuring the optimum connection of load and sensing leads and lays the groundwork for avoiding ground loops.

DC Common

One of the $(N + 1)$ DT's determined in accordance with the preceding paragraph is designated as the CP for the system. There can be only one CP per system--it is the DT which is to be held at "Ground" potential. For other constraints affecting the choice of the CP see DC Common starting on page 68.

DC Ground Point

There must be only one GP per multiple power supply system. This rules out the possibility of connecting two grounded loads in the same system. For other notes on designating the GP, refer to DC Ground Point on page 72.

Connect the System CP to the System GP (unless one load is already grounded), making certain there is only one conductive path between these two points for the entire system. This rule also appears on page 72 and is repeated here as a reminder because of the far greater number of possible paths from dc to ground associated with multiple power supply systems. The notes on page 72 are fully applicable to multiple power supply systems.

REMOTE PROGRAMMING

Remote programming, a feature found on many Agilent power supplies, permits control of the regulated output voltage or current by means of a remotely varied resistance or voltage. It is generally accomplished by restrapping the supply's rear terminals so that the front panel control is disabled and a remote control device is connected to the supply.

There are four basic types of remote programming:

- (1) controlling the constant voltage output using a remote resistance,
- (2) controlling the CV output using a remote voltage,
- (3) controlling the constant current output using a remote resistance, and
- (4) controlling the CC output using a remote voltage.

Notice that the remote resistance or voltage can be controlled by either analog or digital means. As used here, analog control means that the value of resistance or voltage is selected by means of a switch or control knob. In digital control, the value of the remote resistance or voltage is selected by an Agilent Desktop Computer or Minicomputer. No matter what method of control is used, the basic principles of remote programming are the same and all of the basic drawing and rules throughout this section apply equally to both analog and digital control.

Additional Information on Digital Interfaces For Power Supplies. Although this section does not describe the equipment nor the programming techniques necessary for digital control, all of the existing digital interfaces for power supplies are summarized in Agilent's *DC Power Supply Catalog*. In addition, specific details on digital control of power supplies on the Agilent Technologies Interface Bus (GPIB)* are given in Application Note 250-1, *GPIB/Power Supply Interface Guide*.

*The GPIB is Agilent Technologies' implementation of IEEE Standard 488 (ANSI Standard MC1.1).

CONSTANT VOLTAGE REMOTE PROGRAMMING WITH RESISTANCE CONTROL

Using an external resistor and/or rheostat, the output voltage can be set to some fixed value, or made continuously variable over the entire output range, or made variable over some narrow span above and below a nominal value.

Figure 54 illustrates the essential details of resistance programming of a constant voltage power supply. Note that this differs from the normal constant voltage circuit in only one respect--the circuit points normally connected to the front panel control have been made available on rear terminals so that an external control can be substituted. The current flowing through R_P and R_R is constant and independent of the output voltage, and the voltage across the programming resistor (and therefore the output voltage) is a linear function of the resistance R_P .

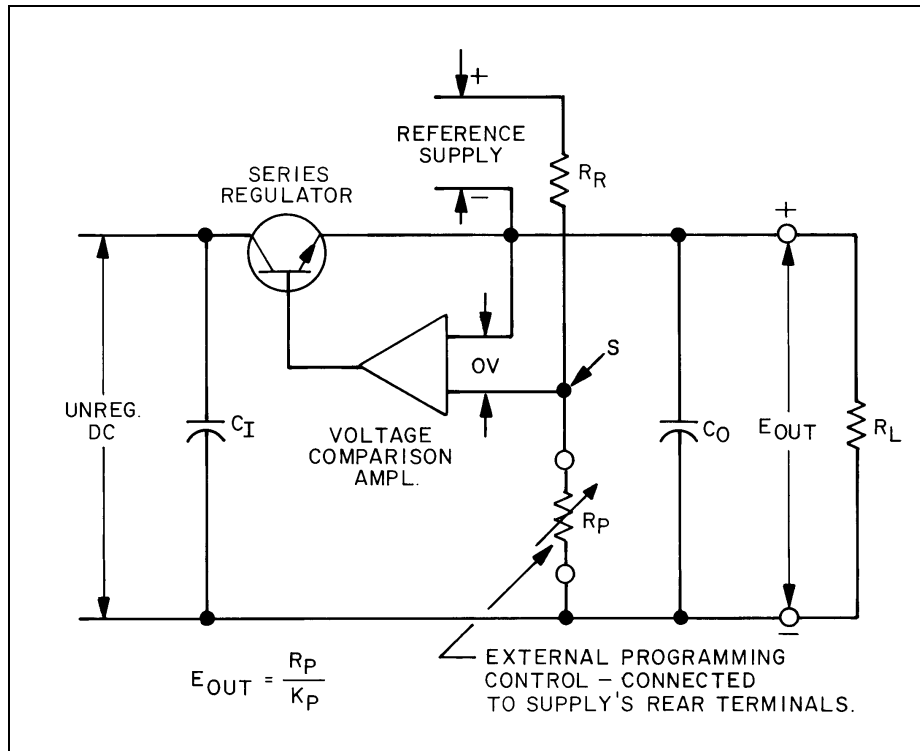


Figure 54. Constant Voltage Supply with Resistance Programming

Programming a power supply with a 200 ohms/volt programming coefficient to an output level of 30 volts would require an R_P of 6K. The power supply will force through this programming resistor a 5mA constant current thus resulting in 30 volts across the power supply output terminals.

Remote Programming Connections

Shielded two-wire cable should be used to connect the power supply programming terminals to the remote programming source, following the manufacturer's instructions for connections. The shield should not be used as one of the programming conductors. One end of the shield should be connected to the DC Common Point and the other end of the shield should be left unconnected (Figure 55).

Output Drift

Check that programming leads and source will not contribute to output drift, noise, etc. The power consumed in the programming resistor can be readily determined by remembering that the programming current is the inverse of the programming coefficient K_P . Using the same example, a 200 ohms/volt programming coefficient corresponds to 5mA programming current, and for 30 volts output (and thus 30 volts across the programming resistor), 150 milliwatts will be dissipated in R_P . A stable programming resistor must be used, since a percentage change in its resistance value will result in the same percentage change in the output voltage of the power supply being controlled.

To avoid short term temperature-dependent shifts in the resistance value (and hence the power supply output voltage) the programming resistor used should have a temperature coefficient of 20 ppm/ $^{\circ}$ C or less and a wattage rating in excess of ten times the actual dissipation. Thus, in the previous example, the programming resistor should have a minimum power rating of 1.5 watts.

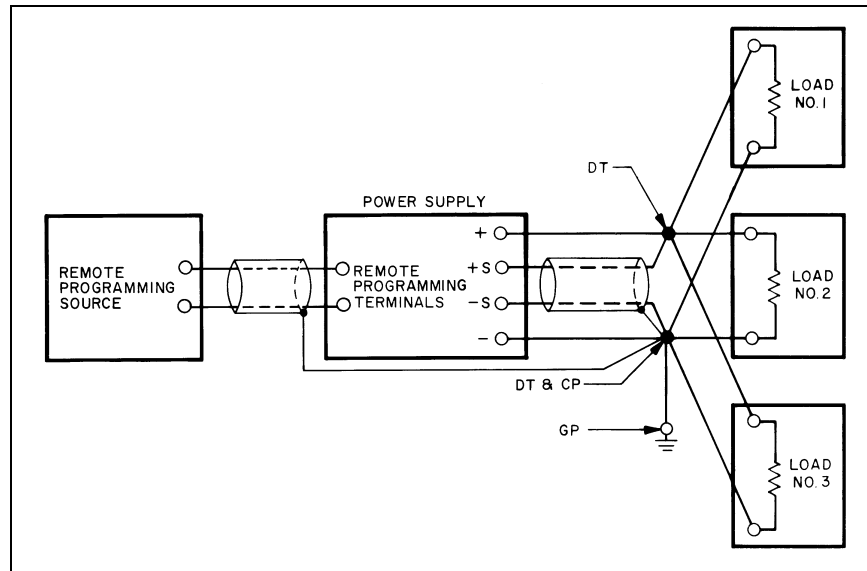


Figure 55. Remote Programming Connections

The wire size of the programming leads must be adequate to withstand any programming surges (consider effects of any large storage capacitors which have to be charged or discharged through the programming leads). The temperature coefficient of a very long programming leads may degrade power supply temperature coefficient and drift specifications. This is particularly true if the power supply is exceptionally well regulated, or the programming leads are subjected to considerable ambient temperature changes, or when programming is done with low resistance values.

Protecting Against Momentary Programming Errors

Using remote programming, several different values of fixed output voltage are obtainable with resistors and a switch, so that the output voltage of the supply can be switched to any pre-established value with a high degree of reproducibility. Figure 56 illustrates several switching techniques that can be used in conjunction with resistance programming.

Suppose it is desired to program a supply having a programming coefficient K_p of 200/ohms volt to any of three values--5 volts, 10 volts, and 15 volts; the circuit of Figure 56A is a typical configuration. However, if a break-before-make switch is used in the configuration of Figure 56A, there will occur for a short interval during the switching action, a very high resistance between the two programming terminals, and the power supply during that interval will raise its output voltage in response to this high resistance input.

To eliminate this output overshoot corresponding to an infinite programming resistance, a make-before-break switch should be employed. However, this solution has the disadvantage that during the short interval when the swinger of the switch is contacting two switch terminals, two programming resistors will momentarily be paralleled across the power supply programming terminals, and the supply will for this short interval seek an output voltage which is lower than either the initial or the final value being programmed. This output undershoot increases the time required for the supply to settle to its new value.

The switching circuit of Figure 56B, using a make-before-break switch, eliminates both the overshoot and the undershoot problems associated with Figure 56B. When the switch is rotated clockwise the resistance value between the two programming terminals will go directly from 1000 to 2000 ohms, and then from 2000 to 3000

ohms.

It appears at first glance that the circuit of Figure 56B also has one drawback -- namely, the output voltage must always be switched in ascending or descending sequence. As Figure 56C shows, however, the same voltage divider can have its tap points returned to the switch contacts in any sequence, permitting output voltage values to be programmed in any desired order without overshoot or undershoot.

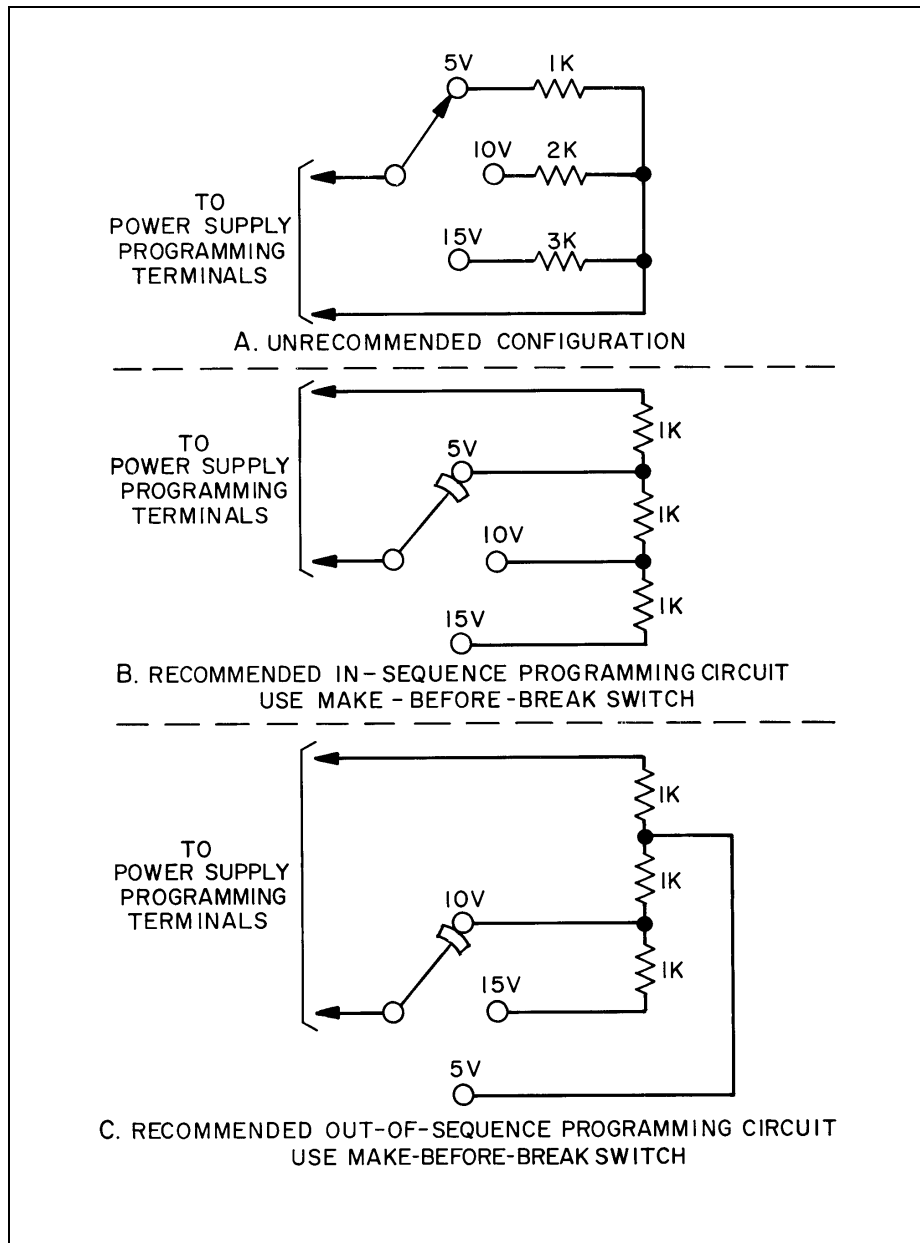


Figure 56. Remote Programming Switching Circuits

Backup Protection for Open Programming Source

In some applications it is possible for the programming switching circuit to be opened accidentally, thus

causing the output voltage to rise to some value higher than the maximum voltage rating of the supply. With some loads this could result in serious damage. To protect loads from accidental opening of the remote programming leads, a zener diode should be placed directly across the power supply programming terminals. This zener diode is selected to have a breakdown voltage equal to the maximum power supply voltage that can be tolerated by the load. Thus, if the programming terminals open, the programming current will cause the zener diode to break down, and the output voltage will be limited to the zener diode voltage. Such a zener diode must be capable of dissipating a power equal to the product of its breakdown voltage times the programming current I_p .

CONSTANT VOLTAGE REMOTE PROGRAMMING WITH VOLTAGE CONTROL

Instead of controlling a power supply by means of a programming resistance, it is possible to control the output of any remotely programmable supply with an input voltage. Thus, the power supply becomes a low frequency dc amplifier. Remote Programming Speed (later in this section) stresses the bandwidth and speed of response of this configuration, whereas these paragraphs deal only with the method of control.

Two distinct methods can be employed to voltage program: unity and variable voltage gain.

Programming with Unity Voltage Gain

This method, shown in Figure 57, requires that the external voltage be exactly equal to the desired output voltage.

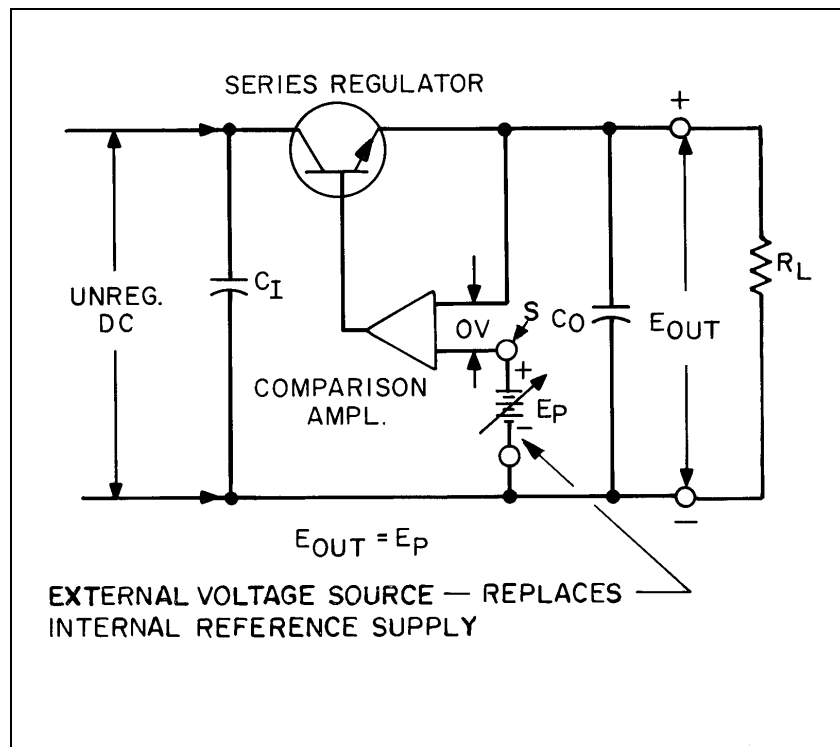


Figure 57. Voltage Programming with Unity Voltage Gain

The current required from the voltage source E_p is at most several milliamps. Of course, this voltage source must be free of ripple and noise and any other undesired imperfections, since within the regulator bandwidth the power supply will attempt to reproduce on its output terminals the programming voltage input on a one-for-one

basis.

Programming with Variable Voltage Gain

Figure 58 illustrates the method by which the power supply can be programmed using an external voltage with a voltage gain dependent upon the ratio of R_P to R_R . Note that this method is no different from the circuit normally used for constant voltage control of the output except that an external reference (the programming voltage source) has been substituted for the internal reference.

On most supplies external terminals are available so that the connections shown in Figure 58 can be accomplished without any internal wiring changes. In all Agilent remotely programmable power supplies the summing point S is made available, and the configuration of Figure 58 can always be accomplished using the external programming voltage source and external precision wirewound resistors R_P and R_R . (R_R should not exceed 10K). As indicated by the equation in Figure 58, R_P can be selected so that the resulting voltage gain is either less or greater than unity. It is possible to use the front panel control on the supply as the voltage gain control, R_P .

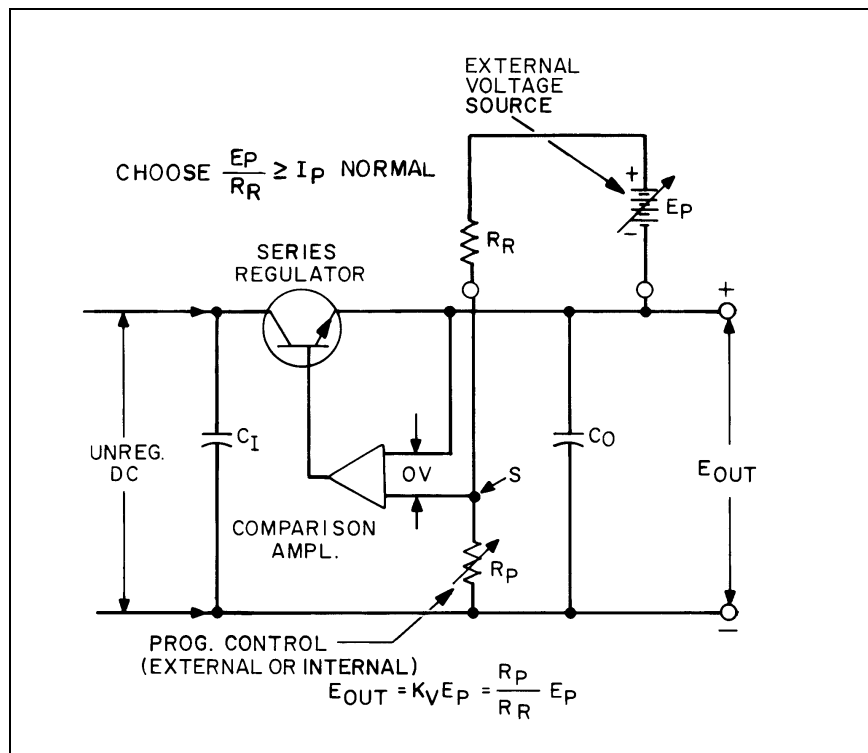


Figure 58. Voltage Programming with Variable Voltage Gain

When programming the output using a remote voltage source, the use of a zener diode across the programming terminals will prevent the power supply output from exceeding a predetermined limit, even though the programming source may provide an excessively high input command. The relationship between the zener diode and the output limit value depends upon the power supply design and the programming connection, but in any case can be determined by considering the power supply as equivalent to an operational amplifier. The zener diode must have a current rating equal to or greater than the largest current which the remote programming source can provide--in some cases the power rating of the zener diode can be reduced by employing a fixed resistance in series with the programming path.

In situations where only low programming voltages are being used, forward conducting silicon diodes (0.7V per junction) can be used in place of zener diodes.

CONSTANT CURRENT REMOTE PROGRAMMING

Most of the general principles discussed under Constant Voltage Programming are also applicable when considering remote programming for constant current supplies. Remote programming of the constant current output of any programmable supply can be accomplished either by:

1. Applying a resistance of voltage to the programming terminals of a CV/CC supply, or
2. Modifying a constant voltage programming supply for constant current operation and then controlling the output current by means of a resistance or voltage applied to the terminals normally used for constant voltage control. A Constant Voltage Supply is modified for Constant Current operation by adding an external current monitoring resistor as described later in this chapter.

Method 1 is used with any Constant Current or Constant Voltage/Constant Current Agilent power supply, while Method 2 is used for any remotely programmable Constant Voltage/Current Limiting supply.

Method 1 has one important disadvantage: the normal current limiting protection, which is dependent upon the constant current setting of a CV/CC power supply, is negated if the constant current programming terminals are accidentally opened. Particular care must be taken in the design of the constant current programming network to insure that no open circuit condition can exist even for a short interval of time, because such an open circuit will program the power supply to an output current in excess of its rating -- with almost certain destruction of the series regulating components and other components within the regulator circuitry. Therefore any constant current programming mechanism involving switches *must use make-before-break switches*.

A good safety precaution is to place directly across the constant current programming terminals of the power supply a control resistance corresponding to the maximum output current. The remote switching mechanism can then be used to shunt this "safety" resistor to the degree necessary to achieve any lower values of output current. The resistor can only be used if non-linear programming of the output current can be tolerated. The speed of response associated with constant current programming is determined by the output *voltage* change required as a result of change in output current being programmed. The equations given in Figure 61 are applicable in determining the time required for the newly programmed value of constant current to be achieved.

REMOTE PROGRAMMING ACCURACY

Figure 59 shows the relationship between programming resistance and output voltage for a power supply with perfect remote programming. Zero ohms across the programming terminals results in exactly zero volts output, and all other values of programming resistance result in the output voltage predicted by the programming coefficient K_p .

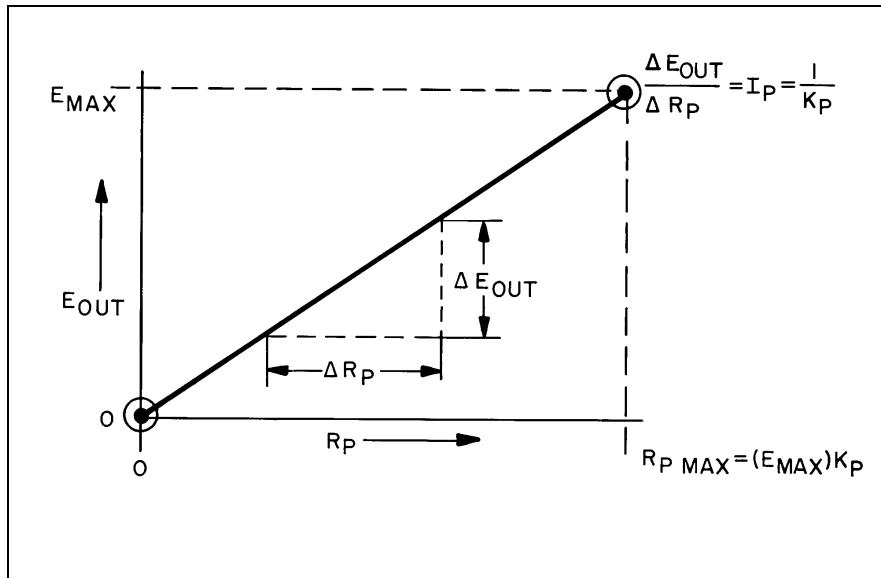


Figure 59. Ideal Remote Programming Characteristics

As Figure 60 indicates, all power supplies deviate somewhat from the ideal. The application of a short-circuit across the programming terminals results in an output voltage which is slightly different from zero (typically between +20 millivolts and -50 millivolts). While the linearity of the programming characteristic is nearly perfect, the overall slope may differ from the value predicted by the programming coefficient by from 1% to 5%. The fact that this slope is extremely linear can be utilized in improving the absolute accuracy in programming a supply, since by pinpointing two points on this straight line segment, all other points are thereby determined. The two points which are the easiest (and best) to fix are zero and maximum output voltage. If these two points are successfully relocated, the graph of Figure 60 can be changed into one closely approximating that shown in Figure 59, which is the characteristic of an ideal supply having perfect programming accuracy.

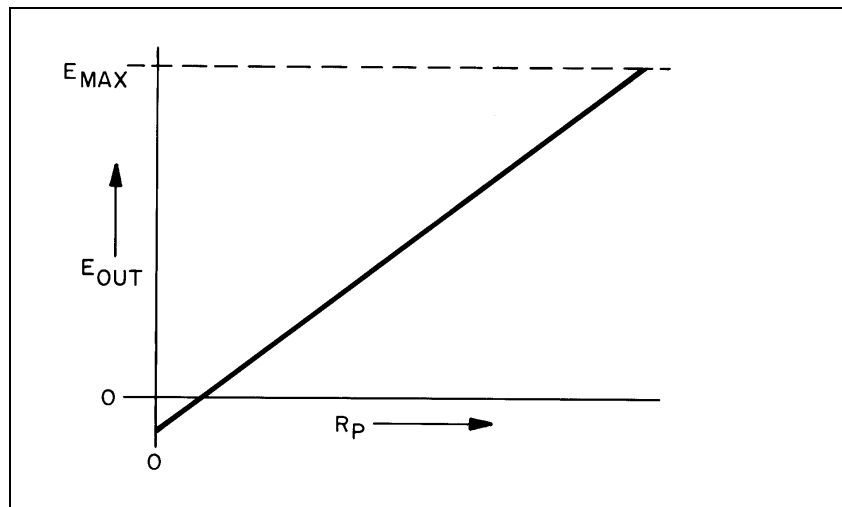


Figure 60. Practical Remote Programming Characteristic

Regardless of the programming coefficient, an ideal programmable supply having absolute programming

accuracy will deliver zero volts with zero programming resistance. Thus, the first step in improving the programming accuracy of Figure 60 is to short the programming terminals and note the output voltage. Normally, this voltage will be slightly negative. If this is not the case the comparison amplifier packages can sometimes be interchanged; the output voltage with zero programming resistance will then, in most cases, become slightly negative. In some supplies, an internal control is provided for adjusting this zero offset voltage.

It is also possible to insert permanently a small resistor in series with the programming leads; this value of resistance being just sufficient to bring the output voltage up to exactly zero volts.

One point of the ideal programming characteristic has now been established. Next, the slope of E_{OUT} versus R_P characteristic must be adjusted so that this straight line will pass through the maximum output voltage with the proper value of programming resistance. Assume, for example, that we are adjusting a power supply which has a programming coefficient of 200 ohms per volt and a maximum output voltage of 20 volts. Having inserted *internally* a series programming resistance of sufficient value to bring the output voltage to zero volts with zero ohms *external* programming resistance, the next step would be to attach a precision 4000 ohm resistor across the programming terminals and adjust the programming current so that the output voltage would equal 20 volts. In some supplies this programming current can be adjusted by means of an internal pot. In most cases, however, it will be necessary to "trim up" a precision resistor (by means of shunt resistors) which determines the programming current. Having adjusted this constant current, it may be necessary to readjust the zero output crossing point by shorting the remote programming terminals and trimming the *internal* programming resistance (or offset control adjustment) to obtain exactly zero volts.

Once a power supply has its programming characteristic aligned "perfectly" in accordance with the characteristic shown in Figure 59, this alignment will retain an absolute accuracy within a tolerance found by adding the power supply specifications for:

- a. load regulation
- b. line regulation
- c. (temperature coefficient) X (ambient temperature change)
- d. drift

Any change in the load resistance, input line voltage, ambient temperature, or warmup time can be expected to cause slight variations in the output voltage of the supply even though the value of the programming resistance has not been altered. The capability for remote programming accuracy therefore increases with improvements in the four specifications mentioned, and high stability power supplies are capable of greater long-term programming accuracy than standard supplies .

REMOTE PROGRAMMING SPEED

A constant voltage regulated power supply is normally called upon to change its output current rapidly in response to load resistance changes. In some cases, however, notably in high speed remote programming applications and constant current applications involving rapidly changing load resistance, the power supply must change its output voltage rapidly. If the power supply does not employ a preregulator, the most important factor limiting the speed of output voltage change is the output capacitor and load resistor.

The equivalent circuit and the nature of the output voltage waveform when the supply is being programmed upward are shown in Figure 61. When the new output is programmed, the power supply regulator circuit senses that the output is less than desired and turns on the series regulator to its maximum value I_L , the current limit or constant current setting. This constant current I_L charges the output capacitor C_O and load resistor R_L in parallel. The output therefore rises exponentially with a time constant $R_L C_L$ toward a voltage level $I_L R_L$, a value higher

than the new output voltage being programmed. When this exponential rise reaches the newly programmed voltage level, the constant voltage amplifier resumes its normal regulating action and holds the output constant. Thus, the rise time can be determined using a universal time constant chart or the formula shown in Figure 61.

If no load resistor is attached to the power supply output terminals, then the output voltage will rise linearly at a rate of C_0/I_L when programmed upward, and $TR = C_0(E_2 - E_1)/I_L$, the shortest possible up-programming time.

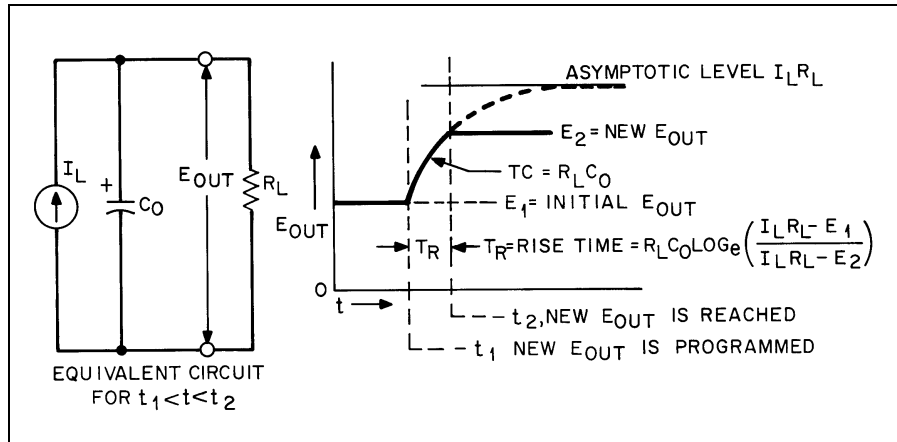


Figure 61. Speed of Response--Programming Up

Figure 62 shows that when the power supply is programmed down, the regulator senses that the output voltage is higher than desired and turns off the series transistors entirely. Since the control circuit can in no way cause the series regulator transistors to conduct backwards, the output capacitor can only be discharged through the load resistor. The output voltage decays exponentially with a time constant $R_L C_0$, and stops falling when it reaches the new output voltage which has been demanded.

If no load resistor is attached to the power supply output terminals, the output voltage will fall slowly, the output capacitor being discharged only by internal bleed paths within the power supply.

Whether the supply is required to increase or decrease its output voltage, the output capacitor tends to slow the change. Many Agilent power supplies therefore make it possible to remove a major portion of the output capacitance simply by removing a strap on the rear barrier strip. After this has been accomplished the output voltage can in general be programmed ten to one hundred times more rapidly, but the regulator loop may need readjustment of the transient recovery control so that the supply does not oscillate under certain load conditions.

Beyond a certain point, further reduction in the size of the output capacitor C_0 will not result in greater speed of programming, since other power supply circuit elements will eventually limit the maximum rate of change of the output voltage. For example, C_1 , of Figure 54 eventually limits the speed of programming, but reduction or elimination of this capacitor would degrade the ripple performance. Thus, high speed programming applications can involve special circuit considerations which ultimately lead to a distinctly different power supply design.

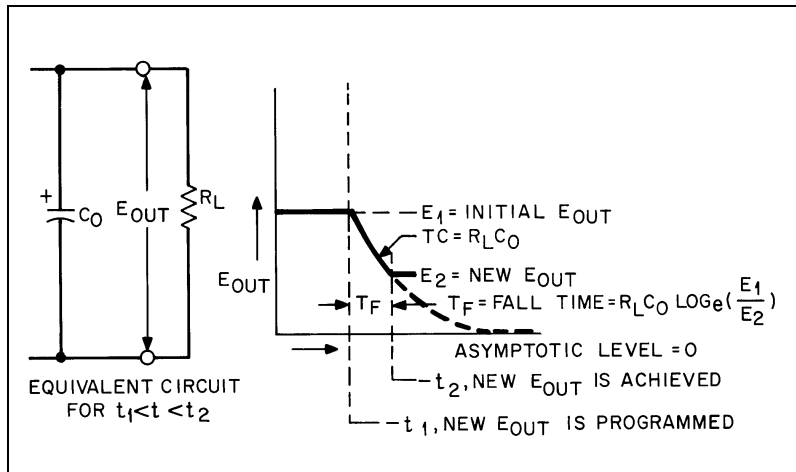


Figure 62. Speed of Response - Programming Down

Since up-programming speed is aided by the conduction of the series regulating transistor, while downprogramming normally has no active element aiding in the discharge of the output capacitor, laboratory power supplies normally program upward more rapidly than downward. In many Agilent laboratory power supplies, however, a special transistor circuit provides for the more rapid discharge of the output capacitor for downprogramming. With this circuit and the unstrapping of the major portion of the output capacitance, these laboratory power supplies have up and down programming speeds in the order of 1ms.

High performance bipolar power supply/amplifiers provide ultimate performance in high speed programming operation, with programming speed at least an order of magnitude faster than can be achieved with any standard power supply with reduced output capacitance.

More details on these versatile supplies are given in the Principles of Operation Section.

Supplies using SCR preregulator circuits cannot, in general, be expected to respond as rapidly as shown in Figures 61 and 62, since a change in output voltage must be accompanied by a change in rectifier voltage; the large value of the rectifier filter plus protection circuits within the SCR preregulator prevent the rectifier voltage from changing rapidly.

OUTPUT VOLTAGE AND CURRENT RATINGS

DUTY CYCLE LOADING

In some applications the load current varies periodically from a minimum to a maximum value. At first it might seem that a regulated power supply having a current rating in excess of the *average* load requirement (but less than the *peak* load value) would be adequate for such applications. However, the current limit or constant current circuit within a semiconductor power supply limits the output current on an instantaneous not an average basis, because extremely rapid protection is necessary to provide adequate safeguard against burnout of the regulating elements.

The first question which must be answered when powering a dc load that draws a large current during some portion of its operating cycle is whether (1) the power supply need only *withstand* the peak load condition, or whether (2) the power supply must continue to deliver its full value of regulated output voltage during the peak load interval.

Examples of the first category are dc motors and filaments for large vacuum tubes. While the starting resistance of these loads is very low compared to the normal operating value, it is not necessary that the power supply be able to deliver this peak current--it is necessary that the supply withstand without damage this initial peak load condition and that it continue to operate through the peak load interval until normal load conditions are established. For such loads Constant Voltage/Constant Current or Constant Voltage/Current Limiting supplies rated for the normal (not the peak) load condition are adequate and, in some cases preferable, since the limited output current can provide protection for the load device during the peak load interval. Peak load demands in excess of the current rating of the power supply will not result in damage to the power supply; the output voltage will merely drop to a slightly lower value. Normal output voltage will be restored automatically by the power supply after the peak or transient load condition has passed.

As for the second category, if it is desired to meet a duty cycle requirement similar to that illustrated in Figure 63 *while retaining the full value of regulated output voltage during peak load conditions*, then a power supply must be selected which has a current rating equal to or greater than the *peak* load requirement. However, if the peak load condition is of relatively short duration, then the stored energy in the power supply output capacitor may prevent an excessive output voltage sag.

Thus for peak loads of either category (1) or (2), it is of interest to know how much the output voltage will drop for a *peak load condition in excess of the power supply current rating*, and how long it will take for the supply to recover to its normal output voltage following the removal of the overload. Figure 63 illustrates the equivalent circuit and output voltage waveform which are characteristic of a power supply experiencing a short term overload. When the overload condition is first imposed, the power supply goes into the current limit mode and is, therefore, equivalent to a constant current generator I_L feeding the output capacitor C_o (already charged to E_{NORM}) in parallel with the lowered value of load resistance $R_{L\ PEAK}$. Thus the capacitor begins discharging exponentially toward the final output voltage value which would result if the overload condition were retained, namely $I_L R_{L\ PEAK}$. The amount of voltage sag ΔV depends upon the output time constant and the duration of the overload peak load condition; the equation for this voltage sag is given in Figure 63. When the peak load condition is removed, R_L is restored to its normal value and the supply continues in the current limiting mode, charging the output capacitor on another exponential curve. This time the asymptotic level approached by the exponential curve is $I_L R_{L\ NORM}$. However, this charging action stops when the voltage level has risen to the normal level, and the regulator changes from the current limit mode to the normal constant voltage mode. Figure 63 also gives the equation for the time required for this voltage recovery following the removal of the

peak load condition.

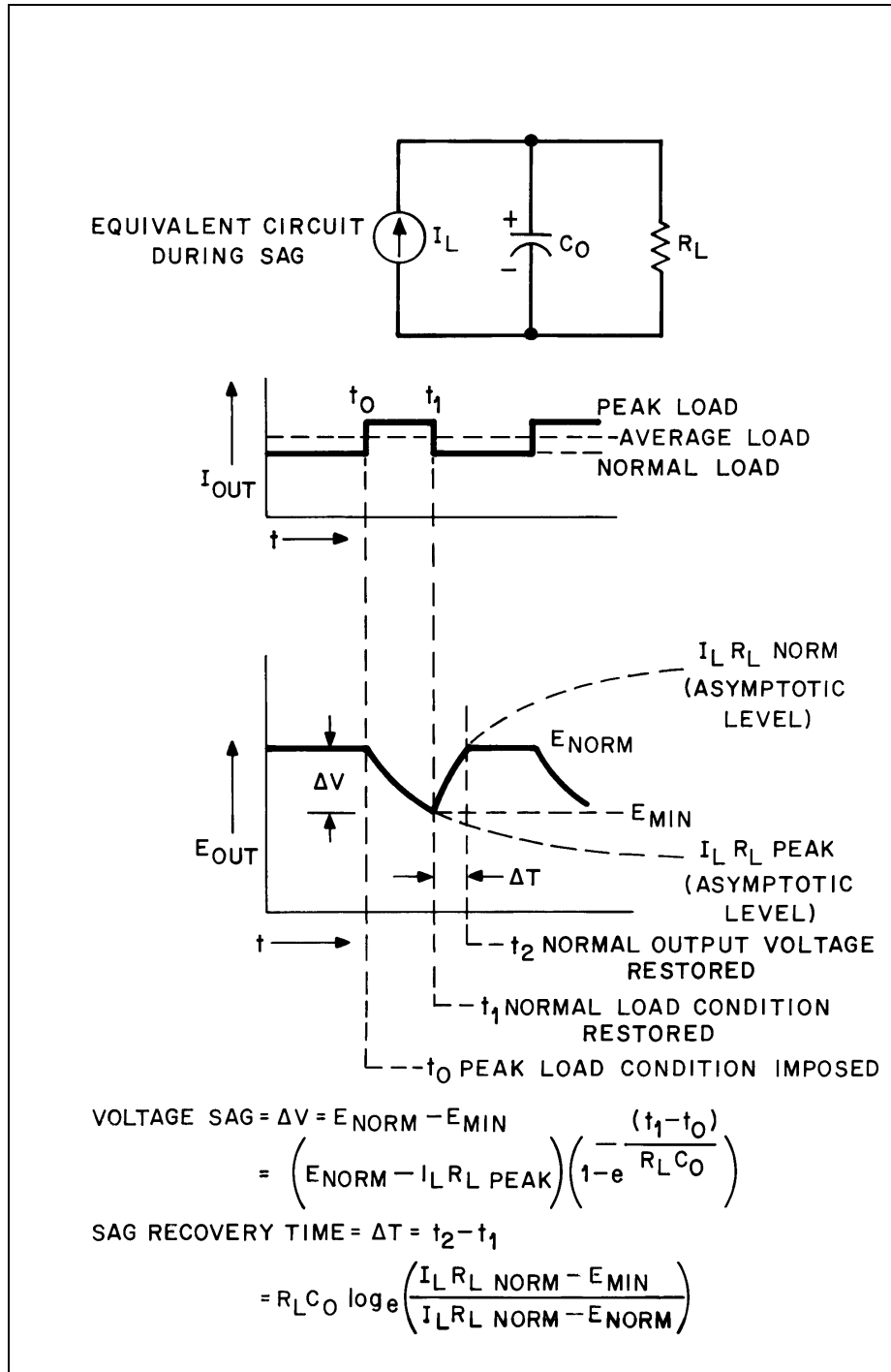


Figure 63. Short-term Overload Equivalent Circuit and Output Voltage

Thus, the equations can be used to evaluate whether the voltage sag and recovery time resulting from a overload condition lie within acceptable limits, permitting the use of a power supply having a current rating less than the

peak load demand. For short term overloads, a quick approximation can be made to determine the amount of voltage sag:

$$\Delta V \approx = \frac{(I_P - I_L) \Delta T}{C_O}$$

where:

ΔV = The voltage sag

$I_P = \frac{E_{NORM}}{R_{L PEAK}}$ = Peak load current demand,

I_L = The current limit or constant current setting,

C_O = The output capacitor (in farads), and

ΔT = Duration of overload condition (in seconds).

This approximation is pessimistic, since it assumes that the discharge of the output capacitor is linear at the rate of I/C instead of decaying exponentially.

REVERSE CURRENT LOADING

In some applications it is necessary for a power supply to retain its normal regulated output voltage in the presence of reverse current flow during part of the operating cycle of an active load device connected to the power supply. Such situations can arise, for example, in pulse and digital circuitry and in bias supplies for class C amplifiers.

Figure 64A illustrates the nature of this problem. It is assumed that the active load device normally draws a current of 5 amperes, but that during part of its operating cycle it *delivers* a current of 3 amperes. Since the series transistor cannot conduct current in the reverse direction, the reverse current furnished from the load device would charge the output capacitor of the power supply, causing an increase in the output voltage with loss of regulation and possible damage to the output capacitor and other components within the power supply.

To correct these deficiencies and permit the normal operation of a regulated power supply with loads of this type, it is only necessary to add a shunt or dummy load resistor such as R_D (Figure 64B), thus shifting the zero bias level with respect to the load current waveform so that the power supply is only required to *deliver* current.

In terms of the numerical example shown in Figure 64B, it is necessary to add a resistor R_D which will draw 3 (or more) amperes at the operating voltage of the power supply. With this resistor added, the power supply output current varies between 0 and 8 amperes rather than between -3 and +5 amperes. During the interval when the load device is *absorbing* current, current flow follows the paths indicated by the solid lines of Figure 64B, whereas when the load device *delivers* current, current flow follows the path indicated by the broken line. Since the power supply is operating normally under both conditions, the voltage across the active load device is maintained continuously at the regulated level.

DUAL OUTPUT USING RESISTIVE DIVIDER

Often it is required to use both a positive and negative dc power source having approximately the same voltage and current capability. It might seem reasonable to meet such requirements using a single regulated dc supply with a resistive voltage divider center-tapped to ground. Figure 65 shows, however, that such an arrangement results in a drastic increase in the effective dc source impedance feeding each load; assuming that the power supply has a zero output impedance, each load looks back into a source impedance consisting of the two arms of the voltage divider in parallel with each other and the other load resistance.

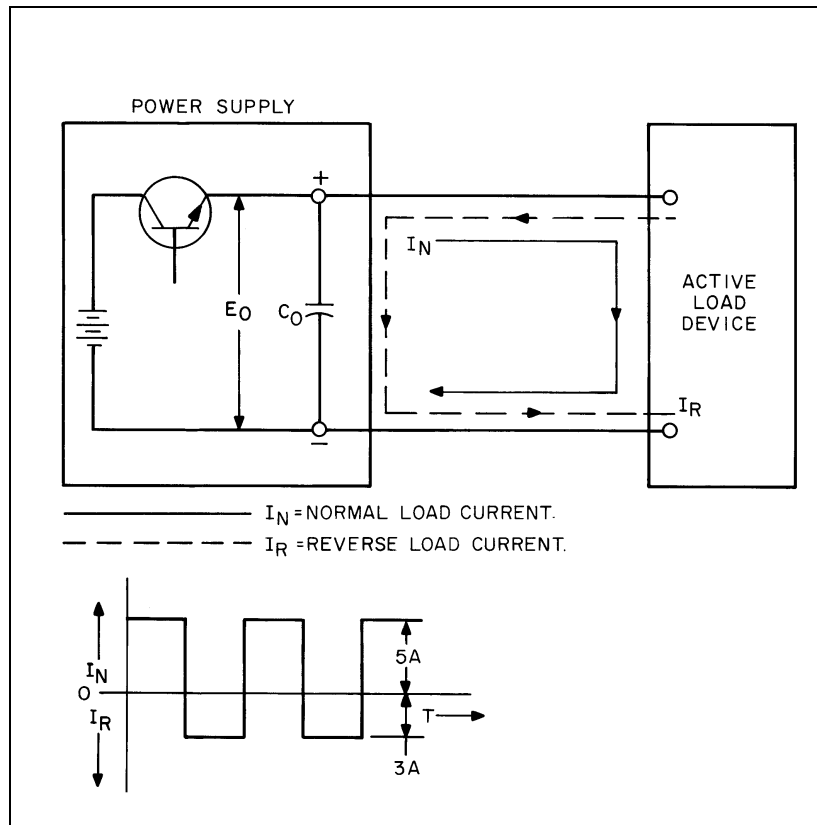


Figure 64A. Reverse Current Loading Problem

Thus, a change in the current requirement of either load results not only in a change in its own dc voltage, but also in a change of the dc voltage feeding the other load, and extreme conditions of imbalance can develop. In many cases, a simultaneous need for positive and negative dc voltages necessitates the use of two separate regulated power supplies.

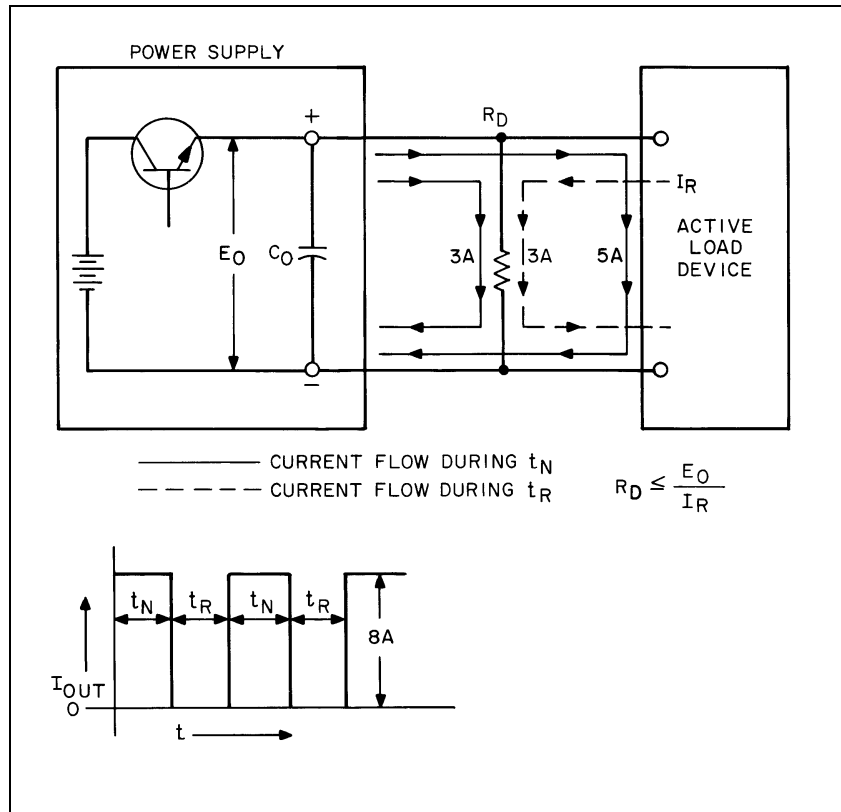


Figure 64B. Reverse Current Loading Solution.

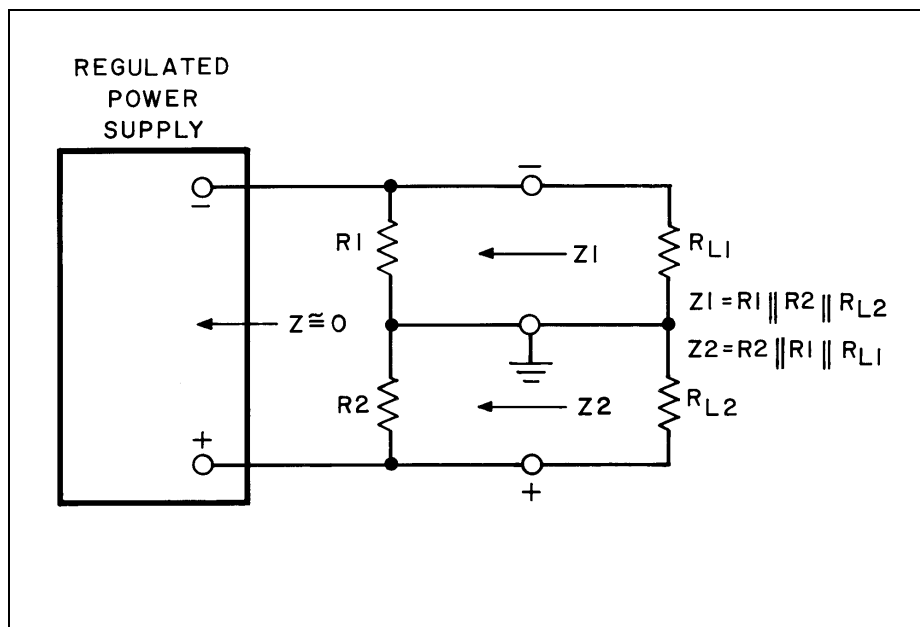


Figure 65. Center-tapped Power Supply Output

PARALLEL OPERATION

The operation of two constant voltage power supplies in parallel is normally not feasible because of the large circulating current which results from even the smallest voltage difference which inevitably exists between the two low impedance sources. However, if the two power supplies feature CV/CC or CV/CL automatic crossover operation, then parallel operation is feasible, since the supply with the higher output voltage setting will deliver its constant current or current limiter output, and drop its output voltage until it equals the output of the other supply, which will remain in constant voltage operation and only deliver that fraction of its rated output current which is necessary to fulfill the total load demand. For example, if two CV/CC power supplies each rated for 10 amperes were connected in parallel across a 15 amp load with one of the supplies set for 30.0 volts and the other supply set for 30.1 volts, the 30.1 volt supply would deliver 10 amperes as a constant current source, thus dropping its output voltage to 30.0 volts. The second supply would continue to act as a constant voltage source delivering 5 amps at the 30.0 volt level.

AUTO PARALLEL OPERATION

Auto-Parallel, or automatic parallel operation of power supplies permits equal current sharing under all load conditions, and allows complete control of the Auto Parallel ensemble utilizing only the controls of the master supply.

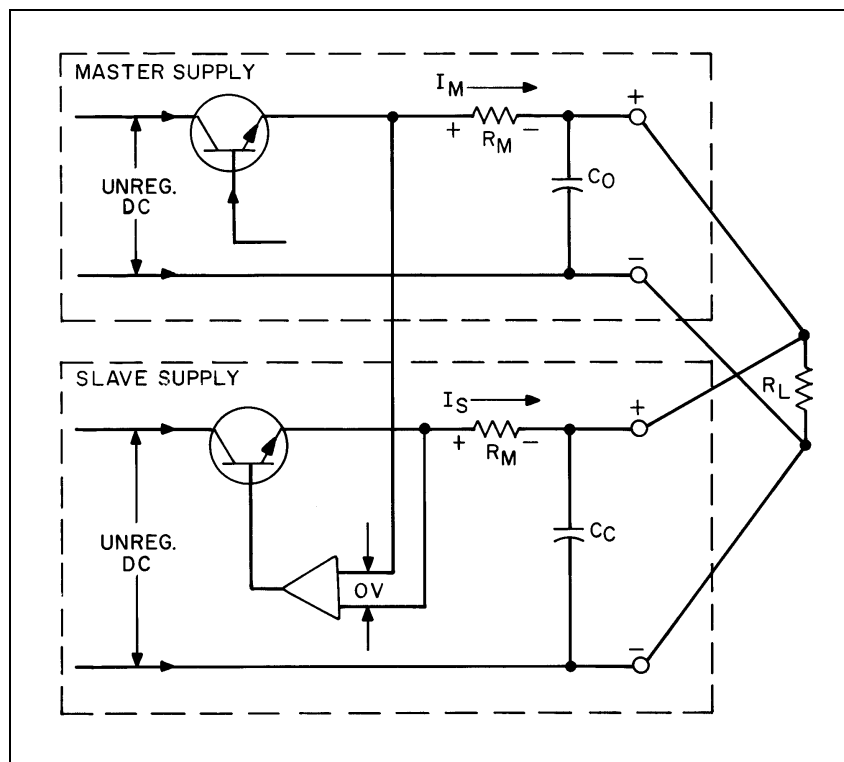


Figure 66. Auto-Parallel Operation of Two Supplies

Figure 66 illustrates the circuit principle involved. The master supply operates in a completely normal fashion and may be set up for either constant voltage or constant current operation as required. The slave supply employs its regulator circuit to compare the voltage drop across the current monitoring resistor of the master supply with the voltage drop across the current monitoring resistor of the slave supply, and adjusts the condition of the series regulator in the slave supply so that these two IR drops are held equal. Therefore, with equal values

of current monitoring resistors in the master and slave supplies, the output current contribution will always be equal regardless of the output voltage or current requirement of the load.

Normally, only supplies having the same model number should be connected for Auto-Parallel operation, since the two supplies must have the same voltage drop across the current monitoring resistor at full current rating.

As is also true of Auto-Series and Auto-Tracking operation, no internal wiring changes are necessary. All that is required is a screwdriver to change the strapping pattern on the terminals of the rear barrier strip, and one extra lead running from the barrier strip of each slave supply to another supply in the same master-slave system.

SERIES OPERATION

Series operation of two or more Agilent power supplies can be accomplished up to the output isolation rating (usually 300 volts off ground) of any one supply. Series connected supplies can be operated with one load across both supplies or with a separate load for each supply. All Agilent semiconductor power supplies have reverse polarity diodes connected across the output terminals so that if operated in series with other power supplies, reverse polarity will not occur across the output terminal of any supply if the load is short-circuited or if one power supply is turned on separately from its series partners.

AUTO-SERIES OPERATION

Auto-Series or automatic series operation of power supplies permits equal or proportional voltage sharing under all load conditions, with complete control of the AutoSeries ensemble being obtained from the master supply alone. Figure 67 illustrates the circuit principle involved. The slave supply is connected in series with the negative output terminal of the master supply, and a voltage divider (R1 and R2) is placed across the series voltage span. One input of the comparison amplifier of the slave supply is connected to the junction of these two resistors while the other input is connected to the positive output terminal of the slave. Since normal feedback action of the slave supply is such as to maintain a zero error between the two comparison amplifier inputs, the slave supply will contribute a fraction of the total output voltage determined by the voltage divider R1 and R2.

For example, if these two resistors are equal, the slave supply will contribute half the total output voltage with the master supply contributing the other half. Notice that the percent of the total output voltage contributed by each supply is independent of the magnitude of the total voltage. When using fixed resistors R1 and R2, the front panel voltage control of the slave supply will be inoperative. Turning the voltage control of the master supply will result in a continuous variation of the output of the series combination, with the contribution of the master's output voltage to that of the slave's voltage always remaining in the ratio of R1 to R2.

Since any variation in the resistance value of R1 and R2 will result in a change in the voltage divider ratio and hence the output of the slave supply, it is important that both these resistors have a low temperature coefficient (20 ppm/°C or better) and have a power rating at least 10 times their actual dissipation. Resistors R1 and R2 should be selected so that at the nominal operating levels the current through them will be of the order of 1 to 5mA.

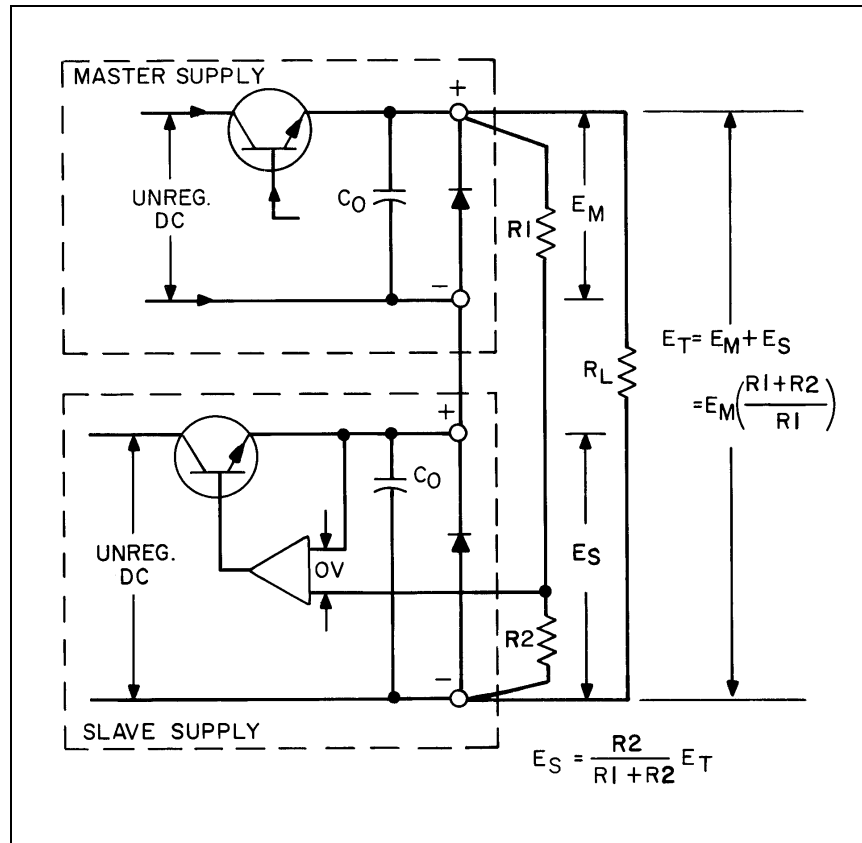


Figure 67. Auto-Series Operation of Two Supplies

Comparing Figure 67 with previous block diagrams for the constant voltage power supply, there is no difference in the circuit location of Resistor R2 and the front panel voltage control normally found in Agilent laboratory type power supplies. Thus, Auto-Series operation can be achieved using only one external resistor (R1) and employing the front panel voltage control on the slave supply as the element which determines the ratio of its voltage to that of the master.

Mixed model numbers may be employed in Auto-Series combination without restriction, provided that each slave is specified as being capable of Auto-Series operation. The master supply need not be an Auto-Series supply since the internal circuit aspects of the master supply in no way affect the AutoSeries principle of operation. If the master supply is set up for constant current operation, then the master-slave combination will act as a composite constant current source.

In some applications, remote programming of the master supply is employed, thereby achieving simultaneous control of the output of two sources from a single remote resistance or voltage input. When the center tap of such an Auto-Series combination is grounded coordinated positive and negative voltages result. This technique is commonly referred to as "rubber-banding," and an external reference source may be employed if desired. Any change of the internal or external reference source (e. g., drift, ripple) will cause an equal percentage change in the outputs of both the master and slave supplies. This feature is of considerable use in any application, where the load requires a positive and a negative power supply and is less susceptible to an output voltage change occurring simultaneously in both supplies than to a change in either supply alone.

AUTO TRACKING OPERATION

Auto-Tracking or automatic tracking operation of power supplies is similar to Auto-Series operation except that the master and slave supplies have the same output polarity with respect to a common bus or ground. Figure 68 shows two supplies connected in Auto-Tracking with their negative output terminals connected together as a common or ground point. A fraction $R_2/(R_1 + R_2)$ of the output of the master supply is provided as one of the inputs to the comparison amplifier of the slave supply, thus controlling the slave's output. The master supply in an Auto-Tracking system must be the positive supply having the largest output voltage. Auto-Series addition of still more slaves permits the expansion of an Auto-Tracking system to both positive and negative power supplies.

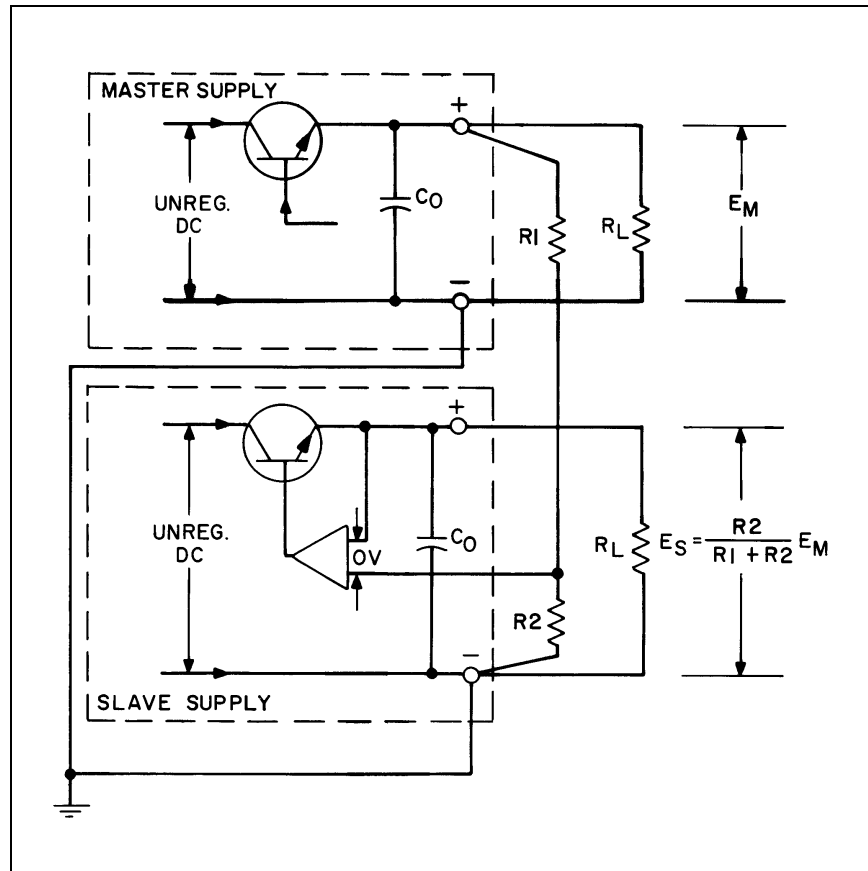


Figure 68. Auto-Tracking of Two Supplies

Like Auto-Series operation, Auto-Tracking permits simultaneous turn-on and turn-off of power supplies in the same system, thereby preventing accidental application or removal of main power sources without proper bias potentials being present.

CONVERTING A CONSTANT VOLTAGE POWER SUPPLY TO CONSTANT CURRENT OUTPUT

Many, but not all, Agilent power supplies are capable of constant current operation. Those which are not designed for normal operation as a constant current source can readily be converted, provided the supply has remote programming capability.

As Figure 69 indicates, it is only necessary to add a single external current monitoring resistor to a remote programming constant voltage power supply in order to convert it to constant current operation. (Also any remote sensing protection resistor or diode connected inside the supply from -S to -OUT must be removed.) Because the proper operation of the regulator circuitry requires that the positive output and positive sensing terminals be at nearly the same potential, the external current monitoring resistor R_M must be connected to the positive output terminal, while the constant current load must be connected to the negative output terminal. The front panel control (or remote programming control) is used to determine the voltage E across the current monitoring resistor R_M . Since this voltage E will be held equal to the voltage E_P across the control resistance by feedback action, a constant current $I_T = E/R_M$ will be caused to flow through the current monitoring resistor R_M . The load current I_L consists of the current flowing through the monitoring resistor plus the programming current I_P (normally negligibly small compared to I_T). Both the current through the monitoring resistor and the programming current are held constant by regulator action; thus the net load current is also constant.

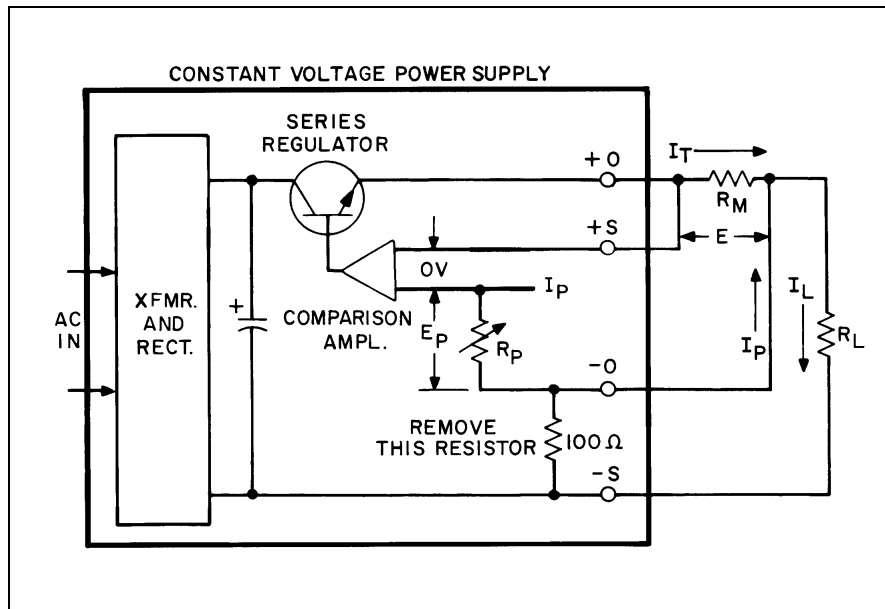


Figure 69. Converting a CV Supply to CC Output

Since any change in the value of the resistance R_M will result in a change in the load current, the current monitoring resistor should have a low temperature coefficient and should be operated at less than 1/10 (or even 1/100) of its power rating. This, plus the restriction that the total IR drop across R_M and R_L in series cannot exceed the voltage rating of the power supply, means that R_M will be selected so that its IR drop will be of the order of 1 volt, depending upon the constant current value required.

Generally speaking, the constant current performance of a supply connected in the method shown in Figure 69 can be predicted by dividing the constant voltage specification by the value of R_M , and then adding on a percentage basis any change in the value of R_M due to temperature effects. The lowest constant current output level is limited to the programming current I_P , typically 5 milliamps.

PERFORMANCE MEASUREMENTS

CONSTANT VOLTAGE POWER SUPPLY MEASUREMENTS

Figure 70 illustrates a setup suitable for the measurement of the six most important operating specifications of a constant voltage power supply: source effect, load effect, PARD, load effect transient recovery time, drift, and temperature coefficient.

The automatic load switch shown in Figure 70 is used to periodically interrupt the load when measuring transient recovery time. Full details of a suitable load switch and the method of employing it are given later under CV Load Effect Transient Recovery Time.

| Measurement Instrument | Necessary Characteristics | Suitable Model Number |
|--------------------------------------|--|--|
| Oscilloscope | Sensitivity and bandwidth: 100 μ V/cm and 400KHz for all measurements except noise spike; 5mV sensitivity and 20MHz bandwidth for noise spike measurement. | Agilent 180C with 1821A time base and 1806A vertical plug-in; 1803A plug-in for spike measurement. |
| Differential or Digital DC Voltmeter | Resolution -1 millivolt or better at voltages up to 1000 volts. | Agilent 3420B Agilent 3455A |
| True RMS Voltmeter | Sensitivity 1mV full scale crest factor 10:1. | Agilent 3400A |

Precautions

Measure Performance at Front or Rear Terminals.

Before attaching the load and monitoring devices shown in Figure 70 determine whether the supply is connected for front or rear terminal sensing, because the load and monitoring devices must be connected to the same pair of output terminals to which the feedback amplifier within the power supply is connected. In the case of small laboratory supplies that feature Automatic Error Sensing, performance measurements can be made at either the front or rear output terminals but are normally accomplished at the rear terminals.

Connect Leads to Power Supply Terminals Properly.

Casual clip lead connections will inevitably result in serious measurement errors--in most cases exceeding the power supply's specifications even though the power supply is operating perfectly. The load and monitoring leads must be connected to the power supply terminals exactly as shown in Figures 71A and B. If performance measurements are made at the front terminals (Figure 71A) the load should be plugged into the front of the terminal at (B) while the monitoring device is connected to a small lead or bus wire inserted through the hole in the neck of the binding post at (A). If performance is being measured at the rear barrier strip (Figure 71 B), the measuring instrument should be connected to the plus and minus sensing terminals; in this way the monitoring device sees the same performance as the feedback amplifier within the power supply.

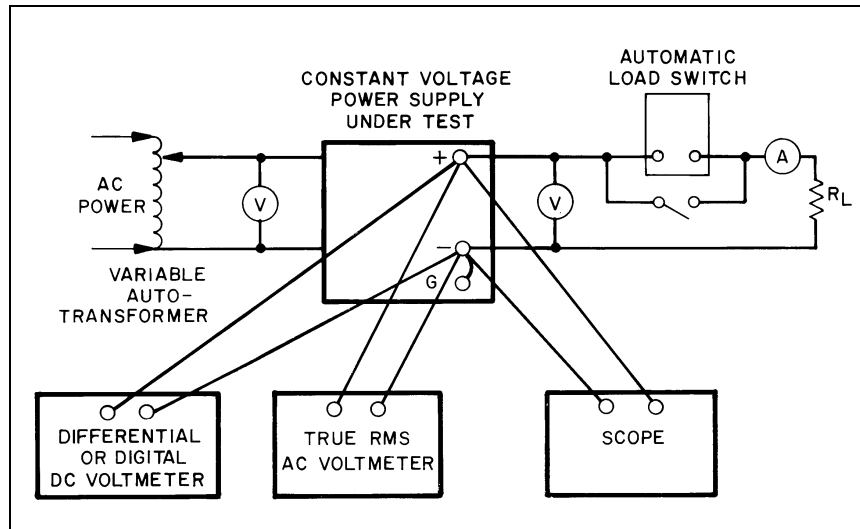


Figure 70. Constant Voltage Measurement Setup

Failure to connect the monitoring instrument to the proper points shown in Figure 71 will result in the measurement not of the power supply characteristics, but of the power supply plus the resistance of the leads between its output terminals and the point of connection. Even using clip leads to connect the load to the power supply terminals and the monitoring instrument to the load leads can result in a serious measurement error. Remember that the power supply being measured probably has an output impedance of less than 1 milliohm, and the contact resistance between clip leads and power supply terminals will in most cases be considerably greater than the specified output impedance of the power supply.

Use Separate Leads to All Measuring Instruments.

All measurement instruments (oscilloscope, ac voltmeter, differential or digital voltmeter) must be connected directly by separate pairs of leads to the monitoring points indicated in Figure 71. This is necessary to avoid the subtle mutual coupling effects that may occur between measuring instruments unless all are returned to the low impedance terminals of the power supply. Twisted pairs or shielded cable should be used to avoid pickup on the measuring leads.

Use an Adequate Load Resistor.

In general, the load resistance and wattage selected should permit operation of the supply at its maximum rated output voltage and current. When measuring the transient recovery time of power supplies requiring low resistance loads, it may be necessary to use non-inductive loads so that the L/R time constant of the load will not be greater than the inherent recovery time of the power supply, thus impeding the measured transient recovery performance.

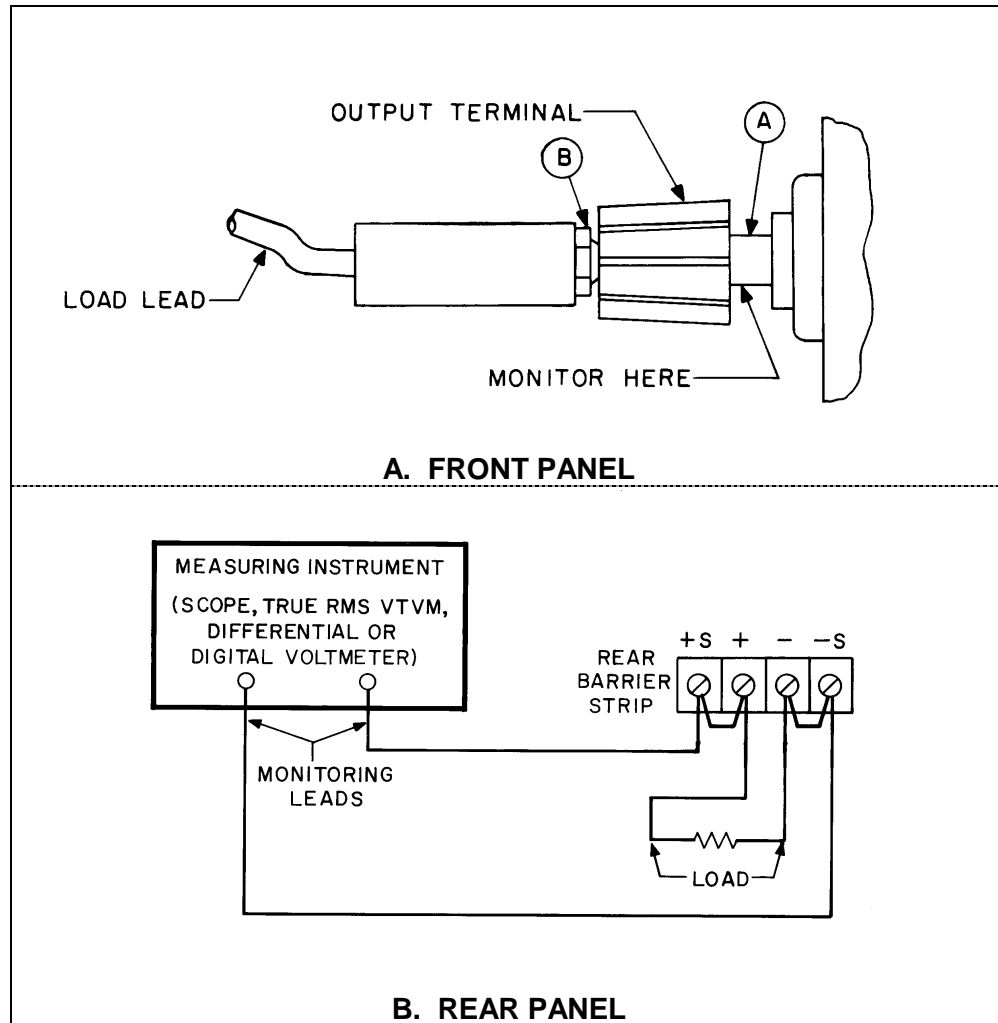


Figure 71. Proper Connections for Monitoring and Load Leads

Check Current Limit Control Setting.

When measuring the constant voltage performance specifications, the constant current or current limit control must be set well above the maximum output current that the supply will draw. The onset of constant current or current limiting action can cause a drop in output voltage, increased ripple, and other performance changes not properly ascribed to the constant voltage operation of the supply.

Check Setup for Pickup and Ground Loop Effects.

Avoid degradation of the measured performance caused by pickup on the measuring leads or by power line frequency components introduced by ground loop paths. Two quick checks will determine if the measurement setup is free of extraneous signals:

- (a) Turn off the power supply and observe the CRT for evidence of unwanted signals (with the scope connected between + S and - S).
- (b) Instead of connecting the oscilloscope leads separately to the positive and negative sensing terminals of the

supply, connect both leads to either the positive or the negative sensing terminals, whichever is grounded to chassis.

Signals on the face of the CRT as a result of either of these tests are indicative of shortcomings in the measurement setup. The most likely causes of these defects and proper corrective measures are discussed further under CV PARD (Ripple and Noise).

Connect AC Voltmeter Properly.

It is important that the ac voltmeter be connected as close as possible to the input ac terminals of the power supply so that its indication will be a valid measurement of the power supply input, without any error introduced by the IR drop present in the leads connecting the power supply input to the ac line voltage source.

Use an Auto-Transformer of Adequate Current Rating.

If this precaution is not followed, the input ac voltage presented at the power supply may be severely distorted, and the rectifying and regulating circuits within the power supply may operate improperly.

Do Not Use an AC Input Line Regulator

Such regulators tend to increase the impedance of the ac input as explained previously.

Further precautions necessary for the proper measurement of specific power supply specifications are given as required in the following paragraphs.

CV Source Effect (Line Regulation)

Definition: Formerly known as line regulation, source effect is the change ΔE_{OUT} in the steady state value of dc output voltage due to a change in ac input voltage over the specified range from low line (e. g., 104 volts) to high line (e. g., 127 volts) or from high line to low line.

Actual measurement is accomplished by turning the variable autotransformer (Figure 70) through the specified range from low line to high line and noting the change in the reading of the digital voltmeter or differential voltmeter connected to the output terminals of the supply. The measurement is performed with all other parameters maintained constant. The power supply will perform within its source effect specifications at any rated output voltage combined with any rated output current; the most severe test normally involves measuring source effect at maximum output voltage combined with maximum output current.

Notice that the line regulation specification for Agilent power supplies is not prefixed by “ \pm ”. Thus the line regulation specification sets a limit on the *total* excursion of the output voltage resulting from the *total* input ac change from low line to high line, thereby allowing only one-half the output deviation of a “ \pm ” specification.

CV Load Effect (Load Regulation)

Definition: Formerly known as load regulation, load effect is the change ΔE_{OUT} in the steady state value of dc output voltage due to a change in load resistance from open circuit to a value that yields maximum rated output current (or vice versa).

Load effect is measured by closing or opening the switch in Figure 70 and noting the resulting static change ΔE_{OUT} in the output voltage on the digital voltmeter or differential voltmeter connected to the output terminals.

The power supply will perform within its load effect specification at any rated output voltage combined with any rated input line voltage.

CV PARD (Ripple and Noise)

Definition: The term PARD replaces the former term ripple and noise. PARD is the Periodic and Random Deviation of the dc output voltage from its average value, over a specified bandwidth and with all other parameters maintained constant.

The PARD measurement of an Agilent constant voltage power supply can be made at any input ac line voltage combined with any dc output voltage and load current within rating. PARD is measured in rms and/or peak-to-peak values over a 20Hz to 20MHz bandwidth. Fluctuations below the lower frequency limit are treated as drift.

The peak-to-peak measurement is particularly important for applications where noise spikes could be detrimental to a sensitive load, such as logic circuitry. The rms measurement is not an ideal representation of the noise, since fairly high output noise spikes of short duration could be present in the ripple and not appreciably increase the rms value.

The technique used to measure *high frequency noise* or "*spikes*" on the output of a power supply is more critical than the *low frequency ripple and noise* measurement technique; therefore the former is discussed separately.

Figure 72A shows an incorrect method of measuring PARD, because a continuous ground loop exists, as illustrated by the dashed line. Any ground current circulating in this loop as a result of the difference in potential EG between the two ground points causes an IR drop which is in series with the scope input. This IR drop has a 60Hz line frequency fundamental, and is magnified by pickup on the unshielded leads interconnecting the power supply and scope. The magnitude of this resulting noise signal can easily be much greater than the true power supply ripple and can completely invalidate the measurement.

The same ground current and pickup problems can exist if an rms voltmeter is substituted in place of the oscilloscope in Figure 72. However, the oscilloscope display, unlike the true rms meter reading, tells the observer immediately whether the fundamental period of the signal displayed is one-half cycle or one full cycle of the ac input. Since the fundamental ripple frequency present on the output of an Agilent supply is $2f_L$, where f_L is the line frequency (due to fullwave rectification), an oscilloscope display showing a $2f_L$ fundamental component is indicative of a "clean" measurement setup, while the presence of a fundamental frequency f_L usually means that an improved setup will result in a more accurate (and lower) value of measured ripple.

Figure 72B shows a correct method of measuring the output ripple of a constant voltage power supply using a single-ended scope. The ground loop path is broken by floating the power supply output. Note that to ensure that no difference of potential exists between the supply and the scope, it is recommended that they both be plugged into the same ac power buss whenever possible. If the same bus cannot be used, both ac grounds must be at earth ground potential.

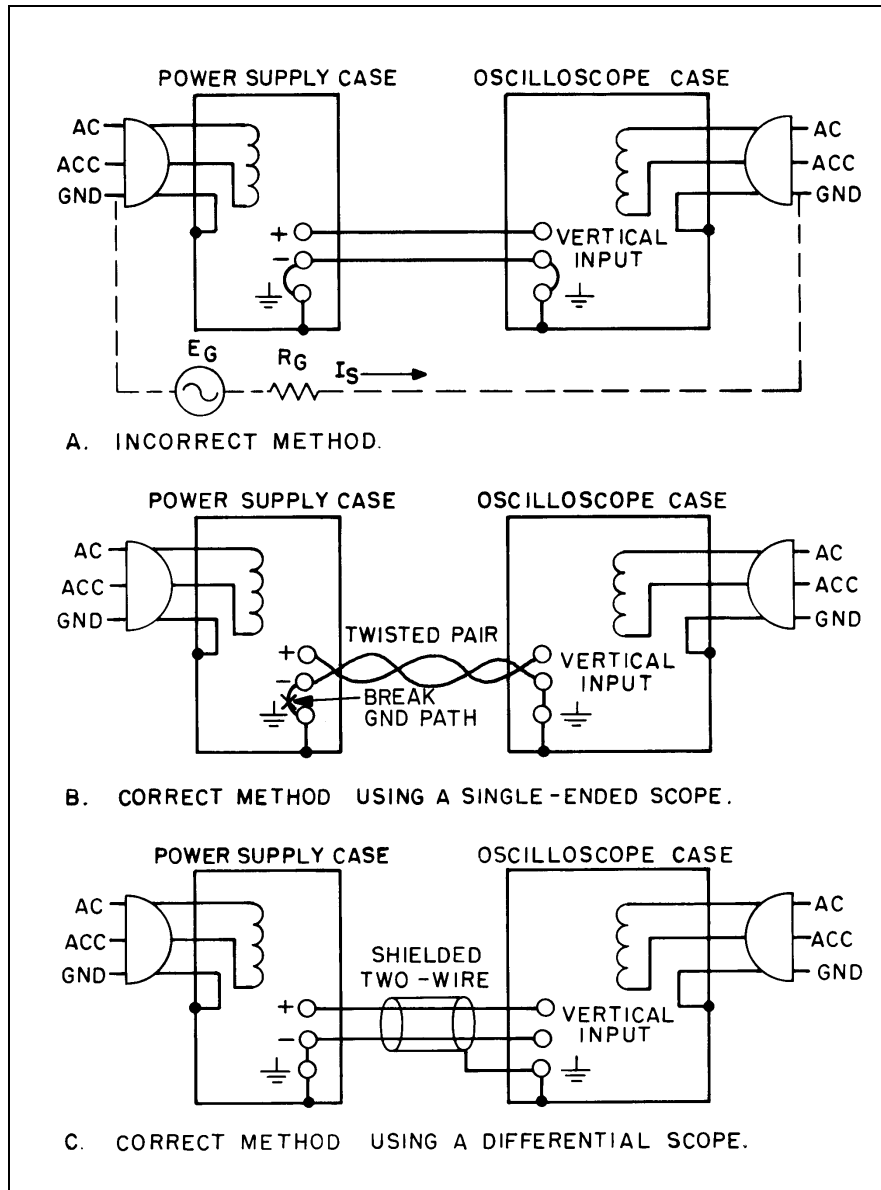


Figure 72. Measurement of PARD (Ripple and Noise) for a CV Supply

Either a twisted pair or preferably a shielded two-wire cable should be used to connect the output terminals of the power supply to the vertical input terminals of the scope. When using shielded two wire, it is essential for the shield to be connected to ground at *one end only* so that no ground current will flow through this shield preventing induced noise signals in the shielded leads.

To verify that the oscilloscope is not displaying ripple that is induced in the leads or picked up from the grounds, the (+) scope lead should be shorted to the (-) scope lead at the power supply terminals. If the ripple magnitude of the "shorted" test approaches the actual ripple measurement, then the measurement results are unreliable.

In most cases, the single-ended scope method of Figure 72B will be adequate to eliminate non-real components of ripple and noise so that a satisfactory measurement may be obtained. However, in more critical cases, or in

measurements where both the power supply and the oscilloscope case are connected to ground (e. g., if both are rack-mounted), it may be necessary to use a differential scope with floating input as shown in Figure 72C. If desired, two single-conductor shielded cables may be substituted in place of the shielded two-wire cable.

Because of its common mode rejection, a differential oscilloscope displays only the difference in signal between its two vertical input terminals, thus ignoring the effects of any common mode signal introduced because of the difference in the ac potential between the power supply and scope case. Before using a differential input scope in this manner, however, it is imperative that its common mode rejection be verified by shorting together the two input leads at the power supply and observing the trace on the CRT. If this trace is a straight line, the scope is properly ignoring any common mode signal present. If it is not a straight line, then the scope is not rejecting the ground signal and must be realigned in accordance with the manufacturer's instructions.

To be absolutely certain that the measurement setup is free from extraneous signals, turn off the power supply and, with the scope connected across +S and -S terminals, ascertain that no signals are present on the CRT. The presence of noise signals under these conditions is indicative of pickup on the leads between the power supply and the scope.

Figure 73 shows the relationship between the peak-to-peak and rms values of three common waveforms. The output ripple of a dc power supply usually approximates the sawtooth of Figure 73B, which is 1/3.464 of the peak-to-peak value displayed on the oscilloscope. The square wave is included in Figure 73 because it has the highest possible peak to rms ratio.

Thus, the rms ripple and noise present on the output terminals of a power supply cannot be greater than 1/2 the peak-to-peak value measured on the oscilloscope. In most cases, the rms ripple on Agilent power supplies is between 1/3 and 1/4 of the peak-to-peak value.

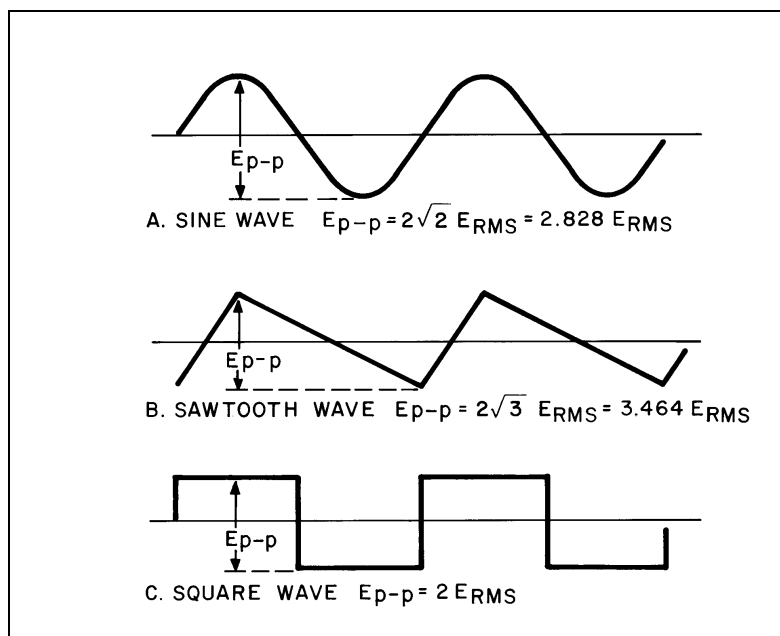


Figure 73. Three Ideal Ripple Waveshapes

Noise Spike Measurements

When a high frequency spike measurement is being made, the oscilloscope must have a bandwidth of 20MHz or more. Measuring noise with an instrument that has insufficient bandwidth may conceal high frequency spikes detrimental to the load.

The test setups illustrated in Figures 72A and 72B are generally not acceptable for measuring spikes; a differential oscilloscope is necessary. Furthermore, the measurement concept of Figure 72C must be modified if accurate spike measurement is to be achieved:

1. As shown in Figure 74, two coax cables must be substituted for the shielded two-wire cable.
2. Impedance matching resistors must be included to eliminate standing waves and cable ringing, and the capacitors must be connected to block the dc current path.
3. The length of the test leads outside the coax is critical and must be kept as short as possible; the blocking capacitor and the impedance matching resistor should be connected *directly* from the inner conductor of the cable to the power supply terminals.
4. Notice that the shields of the power supply end of the two coax cables are *not* connected to the power supply ground, since such a connection would give rise to a ground current path through the coax shield, resulting in an erroneous measurement.
5. Using the setup in Figure 74, the measured noise spike values must be doubled, because the impedance matching resistors constitute a 2-to-1 attenuator.

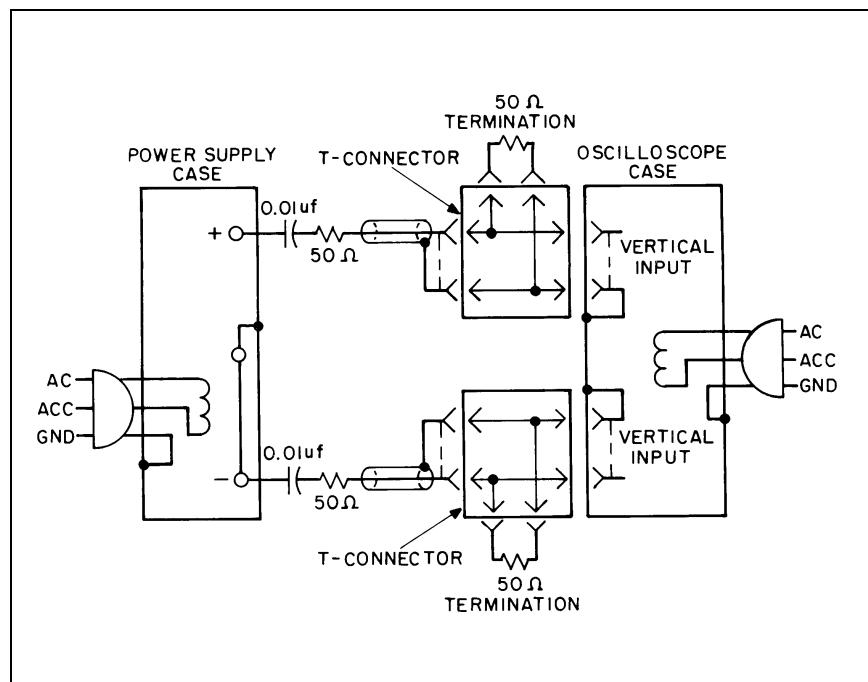


Figure 74. Measurement of Noise Spikes

The circuit of Figure 74 can also be used for the normal measurement of low frequency ripple and noise, by simply removing the four terminating resistors and the blocking capacitors and substituting a higher gain vertical plug-in in place of the wide-band plug-in required for spike measurements. Notice that with these changes, Figure 74 becomes a two-cable version of Figure 72C.

CV Load Effect Transient Recovery Time (Load Transient Recovery)

Definition: The time "X" for the output voltage to recover and to stay within "Y" millivolts of the nominal output voltage following a "Z" amp step change in load current, where:

"Y" is specified separately for each model but is generally of the same order as the load regulation specification.

The nominal output voltage is defined as the dc level half way between the steady state output voltage before and after the imposed load change.

"Z" is the specified load current change, typically equal to the full load current rating of the supply.

Load effect transient recovery time may be measured at any input line voltage combined with any output voltage and load current within rating.

If a step change in load current is imposed on the output of a power supply, the output voltage will exhibit a transient of the type shown in Figure 75. The output impedance of any power supply rises at high frequencies, giving rise to an equivalent output inductance; if the load current is switched rapidly enough so that the high frequencies associated with the leading edge of the step change can react with this effective output inductance, a spike will occur on the output terminals of any power supply.

It is not possible to specify the amplitude of an output voltage spike caused by a load current change unless the rise time of the load change is first established. A power supply with an effective output inductance of 0.16 microhenries will exhibit a load transient spike of about 0.16 volts if the load is switched with a rise time of 1 amp/ μ sec, but the spike amplitude will be only 160 μ V if the load is switched at 1 amp/millisecond. In this latter case the output spike would not be evident, since it would be small compared to the static change in output voltage associated with the full load change.

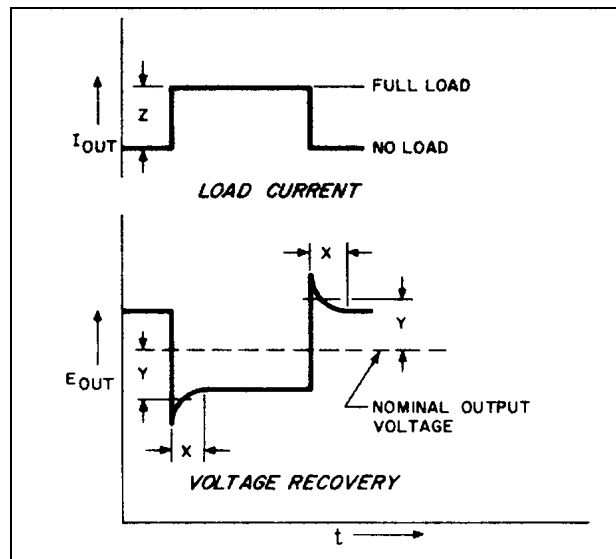


Figure 75. Load Effect Transient Recovery of a Constant Voltage Power Supply

While an oscilloscope with a bandwidth of the order of 100KHz is adequate to observe and measure the

transient *recovery time* of a power supply, the spike *amplitude* for load switching times of less than 1 microsecond cannot be accurately determined, unless a very wideband scope is used.

Of all power supply specifications, transient recovery time is subject to the widest variation in definition, and is not defined at all by some power supply manufacturers. Specifying that a power supply has a transient recovery time of "50 microseconds" is incomplete and conveys no information. Such a specification leaves to the imagination whether the power supply will recover during the 50μsecond interval to within 37% (1/e) of its initial value, to within 10%, or "all the way."

Since the falling portion of the transient remains reasonable constant in spite of wide variations in the spike amplitude and the speed of the load change causing it, Agilent Technologies has chosen to define transient recovery time in terms of recovery to a certain voltage level. For ease in oscilloscope measurement, this voltage level is referenced to a nominal output voltage half-way between no load and full load.

Reasonable care must be taken in switching the load resistance on and off. A hand-operated switch in series with the load is not adequate, since the resulting one-shot displays are difficult to observe on most oscilloscopes, and the arc energy occurring during switching action completely masks the display with a noise burst. Transistor load switching devices are expensive if reasonably rapid load current changes are to be achieved.

Agilent Technologies employs a mercury-wetted relay, using the load switching circuit of Figure 76. When this load switch is connected to a 60Hz input, the mercury-wetted relay will open and close 60 times per second. Adjustment of the 25k control permits adjustment of the duty cycle of the load current switching and reduction in jitter of the oscilloscope display.

The maximum load ratings listed in Figure 76 must be observed in order to preserve the mercury-wetted relay contacts. Switching of larger load currents can be accomplished with mercury pool relays; with this technique fast rise times can still be obtained, but the large inertia of mercury pool relays limits the maximum repetition rate of load switching and makes the clear display of the transient recovery characteristic on an oscilloscope more difficult.

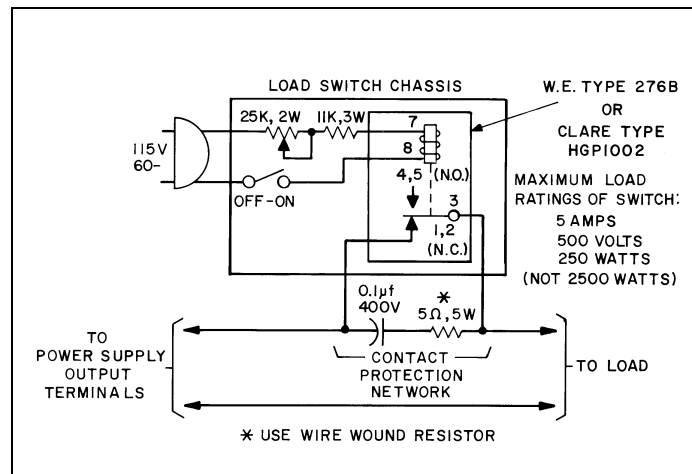


Figure 76. Automatic Load Switch for Measuring Transient Recovery Time

CV Drift (Stability)

Definition: The change in output voltage (dc to 20Hz) for the first eight hours following a 30 minute warm-up period. During the warm-up and measurement interval all parameters, such as load resistance, ambient temperature, and input line voltage are held constant.

Drift includes periodic and random deviations over a bandwidth from zero frequency (dc) to an upper limit of 20Hz. The 20Hz upper limit for drift must coincide with the lower frequency limit for PARD, so that all deviations under constant operating conditions are covered by specifying one or the other.

This measurement is made by monitoring the output of the power supply on a differential voltmeter or digital voltmeter over the stated measurement interval; a strip chart recorder can be used to provide a permanent record. A thermometer should be placed near the supply to verify that the ambient temperature remains constant during the period of measurement. The supply should be put in a location immune from stray air currents (open doors or windows, air conditioning vents); if possible, the supply should be placed in an oven which is held at a constant temperature. Care must be taken that the measuring instrument has a stability over the eight hour interval which is at least an order of magnitude better than the stability specification of the power supply being measured. Typically, a supply may drift less over the eight hour measurement interval than during the 112 hour warm-up period.

Drift measurements are frequently made while the supply is remotely programmed with a fixed wire-wound resistor, thus avoiding accidental changes in the front panel setting due to mechanical vibration or "knob-twiddling."

CV Temperature Coefficient

Definition: The change in output voltage per degree Celsius change in the ambient temperature following a 30 minute warm-up. During the measurement interval the ac line voltage, load resistance, and output voltage setting are held constant.

The temperature coefficient of a power supply is measured by placing the power supply in an oven and varying it over any temperature span within its rating. (Most Agilent laboratory type power supplies are rated for operation from 0°C to 55°C). The power supply must be allowed to thermally stabilize for a sufficient period of time at each temperature of measurement.

The temperature coefficient specified is the maximum temperature dependent output voltage change which will result over any 5°C interval. The differential voltmeter or digital voltmeter used to measure the output voltage change of the supply should be placed outside the oven and should have a long term stability adequate to insure that its drift will not affect the overall measurement accuracy.

CV Programming Speed

Definition: The time required following onset of a step change in the programming input for the output to change from an initial value to within a certain band of the newly programmed value. This band is typically specified in millivolts for a well regulated CV supply, and in milliamps for a CC supply.

The measurement is made by monitoring the output voltage while rapidly changing a remote programming resistance or voltage. Up-programming requires that the remote programming source (RP in Figure 77) be varied from zero ohms to a value that will produce maximum rated output voltage, while down-programming involves changing the resistance from the value that produces maximum rated output voltage to zero ohms. As shown on Figure 77, the load resistance RL is included when checking up-programming and is removed for

downprogramming. This is done to present the worst possible conditions for programming in each direction. A method for measuring the programming speed of an Agilent power supply is as follows:

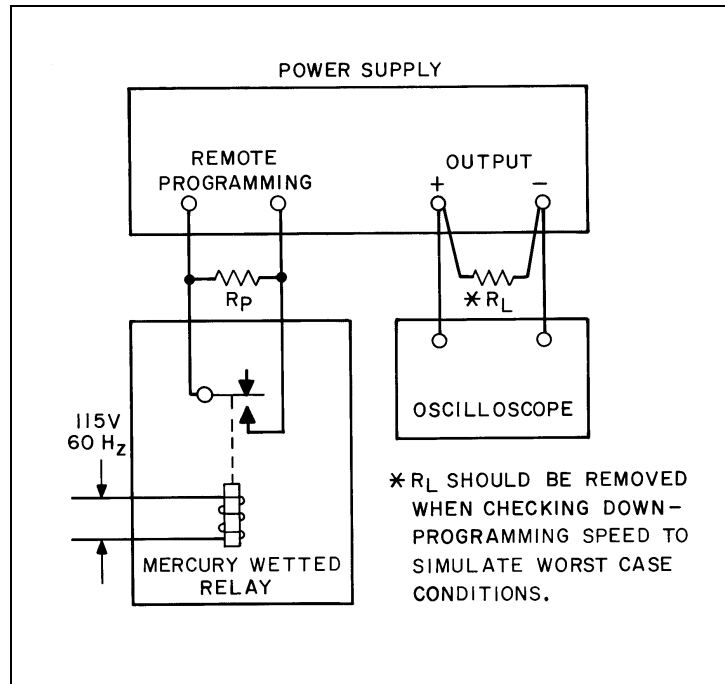


Figure 77. CV Programming Speed Test Setup

1. Restrap the power supply rear barrier strip for remote resistance programming, constant voltage. The strapping pattern for remote resistance programming of laboratory-type power supplies is illustrated in each Agilent Operating and Service Manual.
2. Disconnect the output capacitor. On most Agilent supplies the output capacitor can be disconnected by simply removing the appropriate straps on the rear barrier strip as illustrated in the Operating and Service Manual. A minimum amount of output capacitance is permanently wired to the output and should not be removed to increase the programming speed, because the supply could oscillate under certain load conditions. The programming speed increases by a factor of from 10 to 100 when the output capacitor is removed.
3. Select the value of the programming resistor that will produce maximum output voltage of the supply. This value is obtained by multiplying the programming coefficient ("X" ohms/volts) by the maximum rated output voltage of the supply. The programming coefficient is included on both the data sheet and the Operating and Service Manual for each model.
4. For supplies with programming speeds of less than 8 milliseconds, a mercury-wetted relay (of the type used for checking transient recovery time) can be employed to switch the programming resistance between zero and maximum at a 60Hz rate. The relay is connected as shown on Figure 77. For supplies with slower programming speeds (above 8 milliseconds) a hand-operated switch must be substituted in place of the mercury-wetted relay across the programming resistance. A dc coupled oscilloscope is connected across the output terminals to allow observation of the one-shot displays.

Figure 78 illustrates the programming speed relationship between the remote programming control input (RP)

and the output voltage (EOUT) in both the up and down programming directions.

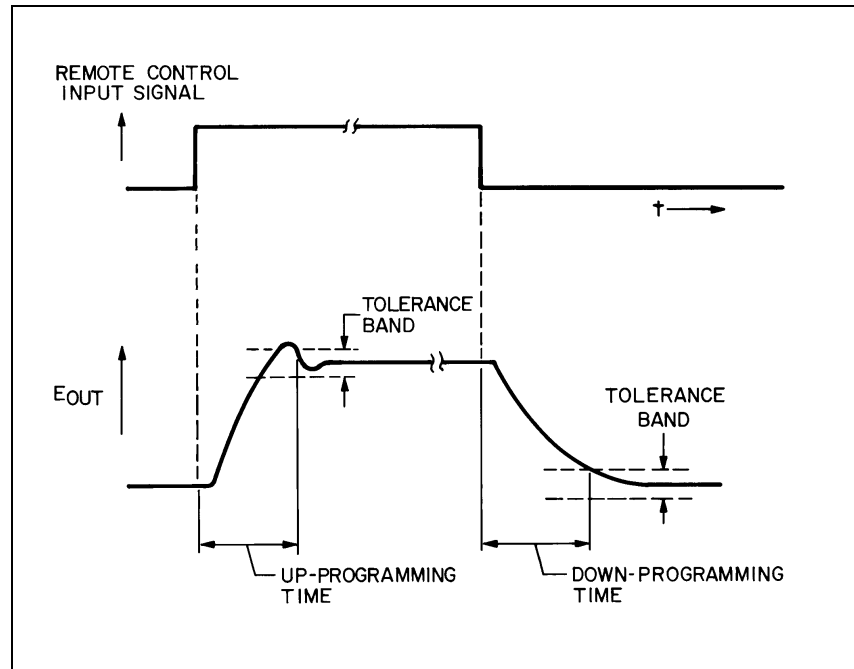


Figure 78. Typical Programming Speed Waveforms

The constant voltage programming speed of a power supply using a remote *programming voltage* is identical to the speed obtained when using a *remote resistance* provided that the remote voltage changes rapidly enough.

CV Output Impedance

The output impedance of a power supply is normally not measured, since the measurement of load effect transient recovery time reveals both the static and dynamic output characteristics with just one measurement. The output impedance is commonly measured only in those cases where the exact value at a particular frequency is of engineering importance; consult the Agilent data sheet or the Operating and Service Manual for further details.

CONSTANT CURRENT POWER SUPPLY MEASUREMENTS

For the most part the instruments, methods, and precautions necessary for the proper measurement of constant current power supply characteristics are identical to those already described for the measurement of constant voltage power supplies. As Figure 79 shows, there are only two major differences which distinguish the constant current measurement setup from the constant voltage measurement setup.

1. The load switch is connected in parallel rather than in series with the power supply load, since the power supply performance will be checked between *short* circuit and full load rather than *open* circuit and full load.
2. A current monitoring resistor is inserted between the output of the power supply and the load. To simplify grounding problems, one end of this monitoring resistor should be connected to the same output terminal of

the power supply which will be shorted to ground. All constant current measurements are made in terms of the change in voltage across this resistor; the current performance is calculated by dividing these voltage changes by the ohmic value of R_M .

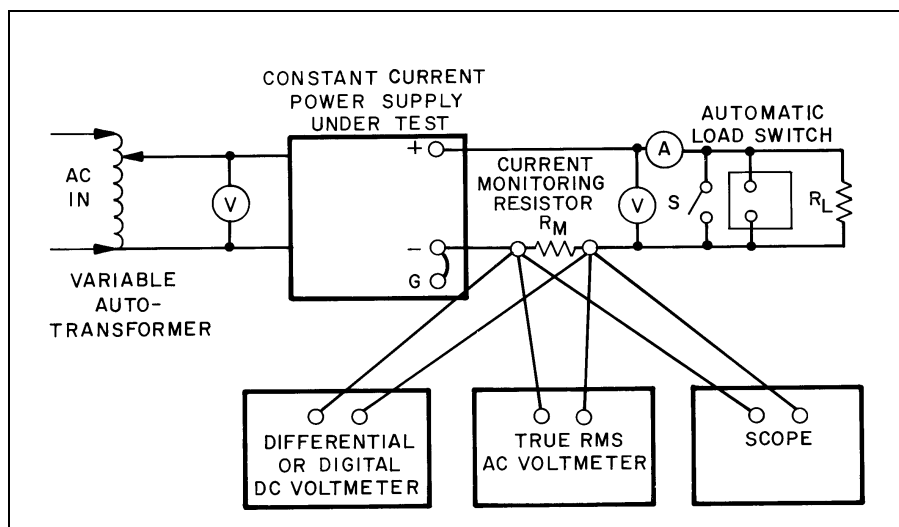


Figure 79. Constant Current Measurement Setup

Many of the precautions listed for the previous constant voltage measurement setup are equally applicable to a constant current setup. In addition, other precautions peculiar to a constant current measurement setup are listed on the following pages.

Precautions

R_M Must be Treated as a Four-Terminal Device

In the manner of a meter shunt, the load current must be fed from the extremes of the wire leading to this resistor, while the voltage monitoring terminals connected to the three measuring instruments should be located as close as possible to the resistance portion itself, as shown in Figure 80.

Use Precision, Low T. C. Monitoring Resistor.

Resistor R_M should be a precision ammeter shunt or a wire-wound resistor (20ppm/°C or better) and should be operated at a power less than 1/10 (preferably 1/100) of its rating so that its surface temperature will not be high compared with ambient and therefore not subject to slow thermal fluctuations that cause similar changes in the resistance value.

With typical wire-wound power resistors, operation at 10% of power rating will be accompanied by approximately a 50°C temperature rise above ambient at the surface of the resistor; the "bobble," or slow variation in this surface temperature, will amount to about 20% of the rise above ambient -- in this case a "bobble" of about 10°C (peak-to-peak). Using a 20ppm resistor, this 10°C variation will cause roughly a 0.02% variation in the measured current, even though the monitoring resistor is being operated at only 1/10 of its power rating !

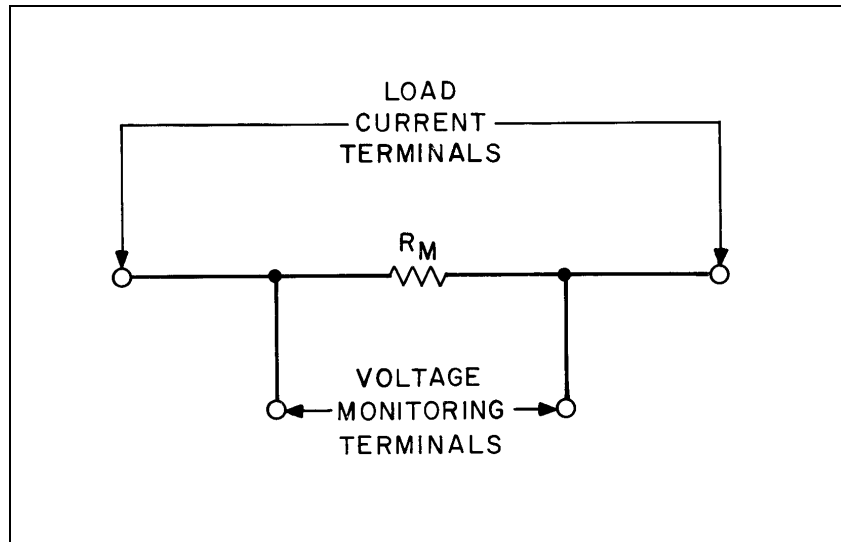


Figure 80. Four-Terminal Current Monitoring Resistor

Keep Temperature of R_M Constant

Resistor R_M should be protected against stray air currents (open doors or windows, air conditioning vents), since these will change the resistance value, degrading the stability and temperature coefficient measurements.

Check Voltage Control Setting.

When measuring constant current performance specifications, the power supply's voltage control must be set above the maximum output voltage that the supply will deliver, since voltage limiting action will cause a drop in output current, increased ripple current, and other performance changes not properly ascribed to the constant current operation of the supply.

Do not Connect DC Voltmeter Directly Across Power Supply Output Terminals.

Note that in Figure 79 the DC voltmeter used to monitor the output of the power supply is connected *outside* the current monitoring resistor. Thus, the true output voltage of the supply is obtained by adding this voltmeter reading to the voltage across the current monitoring resistor. If the voltmeter were placed on the left side of the current monitoring resistor a change in output voltage of the constant current supply would result in a change in current through the voltmeter input resistance. As can be seen from Figure 81, this change in current through the incorrectly connected voltmeter will be accompanied by an equal magnitude change in current through the load and the current monitoring resistor, thus degrading the measured constant current performance.

Of course, if a sufficiently high resistance dc voltmeter is used, this precaution need not be observed, provided the voltmeter input current is small compared to the current change being measured.

Other precautions associated with the proper measurement of constant current power supply specifications are given in the following paragraphs as required.

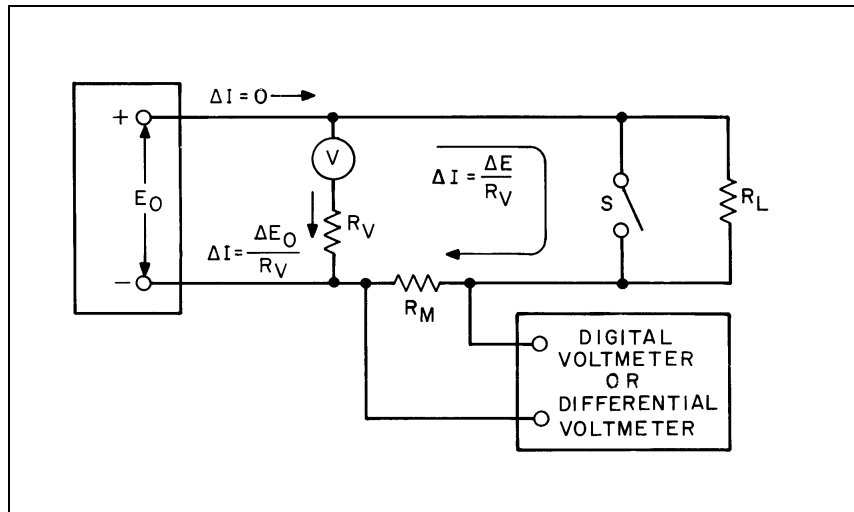


Figure 81. External Voltmeter Measurement Error on CC Power Supply

CC Source Effect (Line Regulation)

Definition: The change ΔI_{OUT} in the steady state value of dc output current due to a change in ac input voltage over the specified range from low line (e. g., 104 volts) to high line (e. q., 127 volts), or from high line to low line.

Measurement is accomplished by turning the variable autotransformer of Figure 79 through the specified input voltage range and noting the change in the reading on a digital voltmeter or differential voltmeter connected across the current monitoring resistor; this change, when divided by the value of the current monitoring resistor, yields the change in output current. The power supply will perform within its source effect specification at any rated output current combined with any rated output voltage.

CC Load Effect (Load Regulation)

Definition: The change ΔI_{OUT} in the steady state value of dc output current due to a change in load resistance from short circuit to a value which yields maximum rated output voltage.

Load effect is measured by closing or opening the switch in Figure 79 and noting the resulting static change on the digital voltmeter or differential voltmeter connected across the current monitoring resistor. The power supply will perform within its load effect specifications at any rated output current combined with any rated line voltage.

CC PARD (Ripple and Noise)

Definition: The residual ac current which is superimposed on the dc output current of a regulated supply. PARD may be specified and measured in terms of its rms or (preferably) peak-to-peak value.

The peak-to-peak voltage measured on the oscilloscope across R_M is divided by R_M to obtain the peak-to-peak ripple current. For the rms value, a true rms voltmeter reading is taken across R_M after first utilizing the oscilloscope to insure that the input waveform to the rms voltmeter has a $2f_L$ ($f_L =$ ac input line frequency) fundamental component and is free of extraneous signals not coming from the power supply output.

Most of the comments pertaining to the ground loop and pickup problems associated with constant voltage ripple and noise measurement also apply to the measurement of constant current ripple and noise. Figure 82 illustrates the most important precautions to be observed when measuring the ripple and noise of a constant current supply. The presence of a $2f_L$ waveform on the oscilloscope is normally indicative of a correct measurement method. A waveshape having a fundamental component at f_L is typically associated with an incorrect measurement setup. As before, the basic measuring instrument is an oscilloscope. The measurement of CC noise spikes is similar to CV noise spikes as discussed previously, except that an appropriate load resistor R_L and current monitoring resistor R_M must be included, as illustrated in Figure 82C.

The peak-to-peak/rms conversion factors suggested by Figure 73 and comments in the previous sections of this Handbook dealing with constant voltage pickup and ground loop effects, as well as the section dealing with the measurement of constant voltage ripple and noise, apply in full to constant current ripple and noise measurements.

CC Load Effect Transient Recovery Time

Definition: The time "X" for output current recovery to within "Y" milliamps of the nominal output current following a "Z" amp step change in load voltage -- where:

"Y" is generally of the same order as the load regulation specification.

The nominal output current is defined as the dc level half way between the static output current before and after the imposed load change.

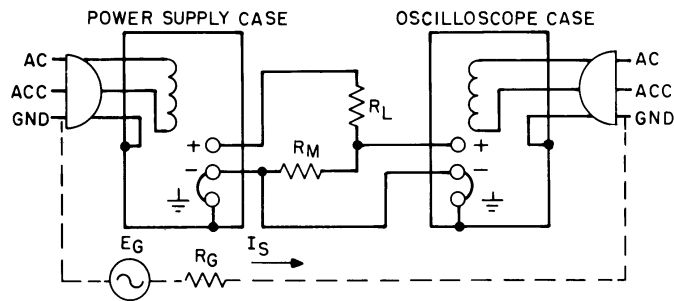
"Z" is the specified load voltage change, normally equal to the full load voltage rating of the supply.

The test set-up used for measuring constant voltage transient recovery time should be used for measuring constant current transient recovery time except that the contacts of the mercury relay are connected in parallel rather than in series with the load resistance (refer to Figure 79). The waveforms obtained are similar to those indicated on Figure 73, but keep in mind that "Y" in millivolts must be converted to milliamps by dividing the value of "Y" by the ohmic value of the current monitoring resistor, R_M . All other comments and conditions mentioned previously under CV Transient Recovery Time apply equally to the constant current measurement.

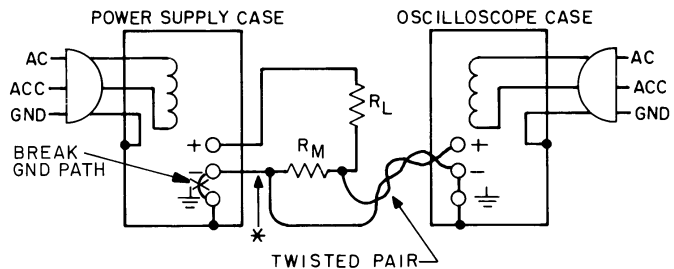
CC Drift (Stability)

Definition: The change in output current for the first 8 hours following a 30 minute warm-up period. During the interval of measurement all parameters such as load resistance, ambient temperature, and input line voltage are held constant.

The stability of a power supply in constant current operation must be measured while holding the temperature of the power supply *and the current monitoring resistor R_M as constant as possible*. Variations of the voltage across this current monitoring resistor over the specified 8-hour interval are measured on the digital or differential voltmeter and may be recorded on a strip chart recorder. Since such voltage measurements are generally being made at a rather low level, it is important to check that the stability of the measurement instruments is adequate.

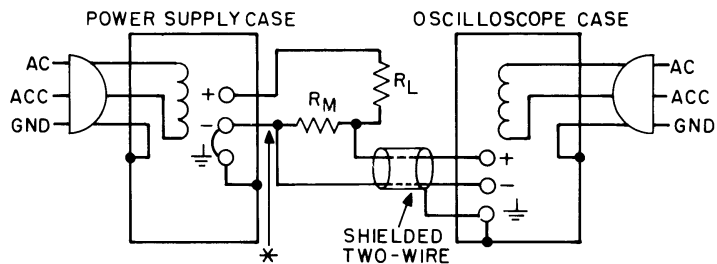


A. INCORRECT METHOD - GROUND CURRENT I_S PRODUCES 60Hz DROP IN NEGATIVE LEAD WHICH ADDS TO THE POWER SUPPLY RIPPLE DISPLAYED ON SCOPE.



* LENGTH OF LEAD BETWEEN R_M AND OUTPUT TERMINAL OF POWER SUPPLY MUST BE HELD TO ABSOLUTE MINIMUM.

B. A CORRECT METHOD USING A SINGLE-ENDED SCOPE. OUTPUT FLOATED TO BREAK GROUND CURRENT LOOP, TWISTED PAIR REDUCES STRAY PICKUP ON SCOPE LEADS.



* LENGTH OF LEAD BETWEEN R_M AND GROUNDED OUTPUT TERMINAL OF POWER SUPPLY MUST BE HELD TO ABSOLUTE MINIMUM.

C. A CORRECT METHOD USING A DIFFERENTIAL SCOPE WITH FLOATING INPUT. GROUND CURRENT PATH IS BROKEN; COMMON MODE REJECTION OF DIFFERENTIAL INPUT SCOPE IGNORES DIFFERENCE IN GROUND POTENTIAL OF POWER SUPPLY & SCOPE, SHIELDED TWO-WIRE FURTHER REDUCES STRAY PICKUP ON SCOPE LEAD.

Figure 82. Measurement of PARD for a CC Power Supply

CC Temperature Coefficient

Definition: The change in output current per degree Celsius change in the ambient temperature following a 30 minute warm-up. During the measurement interval the ac line voltage, output current setting and load resistance are held constant.

The constant current power supply must be placed in an oven and operated over any temperature span within the power supply rating. The current monitoring resistor RM should not be placed in the oven, but must be held at a constant temperature while this measurement is made.

Other Constant Current Specifications

The measurement of output impedance, programming speed, and other performance specifications is less often required in the case of constant current power supplies. Complete information on proper methods of measuring any other constant current specifications beyond those listed here can be obtained by contacting your nearest Agilent field sales office.

INDEX

A

| | |
|---|----|
| AC power, input connections | |
| input wire size | 61 |
| interchanging ac and acc leads | 60 |
| interchanging ac and ground leads | 60 |
| Ambient temperature, definition | 6 |
| Amplifier, comparison (see Comparison amplifier) | |
| Amplifier, power supply as a | 14 |
| Auto-Parallel operation, connections | 96 |
| definition | 6 |
| Auto-Series operation, connection | 97 |
| definition | 7 |
| Auto-Tracking operation, connections | 99 |
| definition | 8 |
| Autotransformer, rating for use with regulated supply | 61 |

B

| | |
|--------------------------------------|----|
| Bipolar power supply/amplifier | 54 |
| Braided around leads..... | 72 |

C

| | |
|--|--------|
| Common point, constant current supply | 54 |
| Common point, dc definition | 68 |
| for individually grounded multiple loads | 70 |
| for loads floated at dc potential above ground | 71 |
| for multiple ungrounded loads | 68 |
| for single grounded loads | 69 |
| for single isolated load | 68 |
| Comparison amplifier, in constant current supply | 33 |
| in constant voltage supply | 19, 27 |
| in crowbar circuits..... | 41 |
| in high performance constant current supply | 48 |
| in piggy-back supply | 41 |
| input voltage limiter | 39, 42 |
| Complementary tracking | 8 |
| Compliance voltage..... | 8 |
| Conduction time, SCR (see Preregulator) | |
| Connections, checklist for power supply | 59 |
| Constant current supply, applications | 32 |
| basic feedback loop..... | 33 |

| | |
|--|---------|
| constructed from constant voltage supply..... | 99 |
| definition | 8 |
| limitations | 33 |
| output capacitance..... | 33 |
| output impedance | 32 |
| performance measurements..... | 113 |
| Constant voltage/constant current supply, crossover load resistance..... | 35 |
| crossover operation | 34 |
| definition | 9 |
| output characteristic | 10, 36 |
| overload protection | 36 |
| Constant voltage/current limiting supply, current limiting action | 17 |
| definition | 10 |
| output characteristics..... | 10, 36 |
| relation to constant voltage/constant current supply | 32 |
| current foldback | 34 |
| Constant voltage supply, basic feedback loop | 19 |
| Definition | 9 |
| output characteristic | 9, 14 |
| output impedance | 15 |
| series regulated..... | 16 |
| shunt regulated | 15 |
| SCR regulated | 32 |
| switching regulated | 22 |
| Crossover operation (see Constant voltage/constant current supply) | |
| Crowbar protection circuit, definition..... | 11 |
| indicator light | 41 |
| overvoltage control range..... | 41 |
| overvoltage margin..... | 41 |
| Current monitoring resistor | 34, 115 |

D

| | |
|--|--------|
| Decoupling capacitor, load..... | 78 |
| Differential oscilloscope, in performance measurements | 105 |
| Digitally controlled power supplies, voltage source | 56 |
| current source | 57 |
| Distribution terminals, dc, definition | 58 |
| location method..... | 57, 79 |
| Drift, definition | 11 |
| Measurement..... | 111 |
| Duty cycle loading..... | 91 |
| Dual output, with resistive divider..... | 94 |

| | |
|---|--------|
| E | |
| Efficiency, definition..... | 11 |
| of preregulated supplies | 23 |
| of SCR regulated supplies..... | 27 |
| of series regulated supplies | 22 |
| of switching regulated supplies..... | 26 |
| Electronic power supply, definition | 17 |
| EMI, definition..... | 11 |
| protection linear supplies | 53 |
| protection switching supplies..... | 26, 43 |
| Equivalent circuit, power supply with load..... | 64, 89 |
| Error sensing, normal | 72 |
| Remote | 74 |
| Extended range power supply | 48 |
| F | |
| Feedback, in constant current supply | 33 |
| in constant voltage supplies | 18, 26 |
| in high performance constant current supply | 47 |
| in operational amplifier..... | 22 |
| Floating operation | 71 |
| G | |
| Gain, regulator loop | 64 |
| Ground leads, braided | 72 |
| Ground loop, definition..... | 65 |
| isolation from dc distribution circuits | 14 |
| Ground point, dc | 71, 79 |
| Ground, power cord safety | 68 |
| Guard amplifier, in high performance constant current supply..... | 47 |
| H | |
| High performance constant current supply | 45 |
| High performance constant voltage/current limited supply | 45 |
| High performance power supply, definition | 45 |
| High voltage power supply | 45 |
| output voltage control methods..... | 46 |
| High voltage regulator (see Piggy-Back regulator) | |
| I | |
| Impedance, output, calculation of | 64 |
| of constant current supply | 33 |
| of constant voltage supply..... | 17 |
| definition | 12 |

| | |
|---|----------|
| of high performance constant current supply | 49 |
| measurement method | 112, 119 |
| Inrush current, definition..... | 11 |
| protection | 22, 28 |

L

| | |
|--|----------|
| Linear regulators (see series regulator) | |
| Line regulation (see source effect) | |
| Line regulators, used with regulated power supply..... | 61 |
| Load, active | 90 |
| Load connections, multiple supply system..... | 78 |
| single supply system..... | 59 |
| Load decoupling capacitor | 78 |
| Load effect, definition..... | 12 |
| measurement | 104, 116 |
| Load effect transient recovery time, definition | 12 |
| Measurement..... | 109, 116 |
| Load switch, automatic | 110 |
| Load wire rating | 63, 77 |
| Loop gain | 64 |
| Loop, around (see Ground loop) | |

O

| | |
|---|------------|
| Off-line power supply | 12 |
| Operational amplifier, as a dc power supply..... | 20 |
| Output capacitance, in high performance constant current supply | 49 |
| removal of to increase programming speed | 89 |
| Output impedance (see Impedance, output) | |
| Overload protection..... | 35, 36, 39 |
| Overvoltage protection circuit (see Crowbar protection circuit) | |

P

| | |
|---|----------|
| Parallel operation | 96 |
| PARD, definition | 13 |
| measurement | 105, 116 |
| Peak load, power supply equivalent circuit during | 93 |
| Performance measurements, introduction to..... | 101, 113 |
| drift..... | 111, 117 |
| load effect..... | 104, 117 |
| output impedance | 114, 118 |
| PARD..... | 105, 116 |
| source effect | 104, 116 |
| spikes..... | 108, 116 |
| temperature coefficient..... | 111, 119 |

| | |
|--|----------|
| transient recovery | 107, 117 |
| Piggy-Back regulator, definition | 44 |
| Power supply/amplifier | 54 |
| Preregulator, definition | 23 |
| Preregulator, circuit principles | 23, 29 |
| reaction time..... | 24 |
| suppression of RFI | 24, 39 |
| Programming coefficient..... | 81, 87 |
| Programming, elimination of switching overshoots | 81 |
| protection against open terminals..... | 82 |
| remote resistance..... | 80 |
| resistor characteristics | 81 |
| Programming, remote voltage | 84 |
| unity and variable gain | 84, 85 |
| Programming speed, definition | 14 |
| equivalent circuit during programming..... | 88 |
| measurement method | 111 |
| method of increasing | 53, 88 |
| of power supply/amplifiers | 54 |
| Protection circuits, switching supplies..... | 43 |
| linear supplies | 36, 37 |

R

| | |
|--|--------|
| Regulator, line..... | 60 |
| piggy-back..... | 44 |
| SCR..... | 22, 32 |
| Series..... | 18 |
| Switching | 25 |
| Remote programming, accuracy..... | 86 |
| adjustment of characteristic..... | 87 |
| cables and connections..... | 81 |
| definition..... | 14 |
| resistance control..... | 80 |
| voltage control..... | 85 |
| Remote sensing, connections | 72 |
| current in leads | 73 |
| definition | 15 |
| effect on current limit operation..... | 77 |
| with external output capacitor..... | 77 |
| oscillation when using..... | 77 |
| protection against open leads | 39 |
| Reverse current loading | 93 |
| RFI (see EMI) | |
| Ripple and noise (see PARD) | |
| Rubber-Banding | 98 |

S

| | |
|---|----------|
| Safety ground, in power cord | 68 |
| Sampling resistor (see current monitoring resistor) | |
| SCR's, definition | 24 |
| in preregulator circuit..... | 24 |
| in regulator circuits | 32 |
| Series operation..... | 97 |
| Series regulator, advantages-disadvantages | 18 |
| circuit principles..... | 19 |
| Source effect, definition | 16 |
| measurement | 104, 116 |
| Spike measurement | 108, 117 |
| Stability (see Drift) | |
| Summing point..... | 85 |
| Switching regulator, advantages-disadvantages..... | 25 |
| basic configurations | 26 |
| circuit principles..... | 27 |

T

| | |
|--|--------|
| Temperature coefficient. Definition..... | 16 |
| Measurement..... | 119 |
| of remote programming resistors | 82 |
| Tracking operation (see Auto-Tracking) | |
| Transient recovery time (see load, effect, transient recovery) | |
| Triac | 25, 29 |

V

| | |
|---|----|
| Voltage divider, for dual output..... | 94 |
| Voltage drop, in ac power input cable | 94 |
| constant across series regulator..... | 24 |
| in load leads | 73 |
| in sensing leads | 75 |

W

| | |
|--------------------------------------|--------|
| Warm-up time | 16 |
| Wire ratings, ac power input | 61 |
| Load..... | 63, 77 |
| Wire size, resistance per foot | 73 |

Z

| | |
|--|----|
| Zener diodes, as reference element | 22 |
|--|----|

Agilent Technologies' Test and Measurement Support, Services, and Assistance

Agilent Technologies aims to maximize the value you receive, while minimizing your risk and problems. We strive to ensure that you get the test and measurement capabilities you paid for and obtain the support you need. Our extensive support resources and services can help you choose the right Agilent products for your applications and apply them successfully. Every instrument and system we sell has a global warranty. Support is available for at least five years beyond the production life of the product. Two concepts underlie Agilent's overall support policy: "Our Promise" and "Your Advantage."

Our Promise

Our Promise means your Agilent test and measurement equipment will meet its advertised performance and functionality. When you are choosing new equipment, we will help you with product information, including realistic performance specifications and practical recommendations from experienced test engineers. When you use Agilent equipment, we can verify that it works properly, help with product operation, and provide basic measurement assistance for the use of specified capabilities, at no extra cost upon request. Many self-help tools are available.

Your Advantage

Your Advantage means that Agilent offers a wide range of additional expert test and measurement services, which you can purchase according to your unique technical and business needs. Solve problems efficiently and gain a competitive edge by contracting with us for calibration, extra-cost upgrades, out-of-warranty repairs, and on-site education and training, as well as design, system integration, project management, and other professional engineering services. Experienced Agilent engineers and technicians worldwide can help you maximize your productivity, optimize the return on investment of your Agilent instruments and systems, and obtain dependable measurement accuracy for the life of those products.

For more assistance with your test & measurement needs or to find your local Agilent office go to

www.agilent.com/find/assist

Or contact the test and measurement experts at Agilent Technologies

1 800 452 4844 (8am-8pm EST)

Product specifications and descriptions in this document subject to change without notice.

Copyright 1978, 2000 Agilent Technologies
Reprinted in USA
October 1, 2000
5952-4020



Free Manuals Download Website

<http://myh66.com>

<http://usermanuals.us>

<http://www.somanuals.com>

<http://www.4manuals.cc>

<http://www.manual-lib.com>

<http://www.404manual.com>

<http://www.luxmanual.com>

<http://aubethermostatmanual.com>

Golf course search by state

<http://golfingnear.com>

Email search by domain

<http://emailbydomain.com>

Auto manuals search

<http://auto.somanuals.com>

TV manuals search

<http://tv.somanuals.com>