



ADG-758

(Gas - DSI)

Parts Manual

American Dryer Corporation
88 Currant Road
Fall River, MA 02720-4781
Telephone: (508) 678-9000 / Fax: (508) 678-9447
e-mail: techsupport@amdry.com
www.amdry.com

Retain This Manual In A Safe Place For Future Reference

American Dryer Corporation products embody advanced concepts in engineering, design, and safety. If this product is properly maintained, it will provide many years of safe, efficient, and trouble free operation.

ONLY qualified technicians should service this equipment.

OBSERVE ALL SAFETY PRECAUTIONS displayed on the equipment or specified in the installation manual included with the dryer.

The following “**FOR YOUR SAFETY**” caution **must be** posted near the dryer in a prominent location.

FOR YOUR SAFETY

Do not store or use gasoline or other flammable vapors and liquids in the vicinity of this or any other appliance.

POUR VOTRE SÉCURITÉ

Ne pas entreposer ni utiliser d'essence ni d'autres vapeurs ou liquides inflammables à proximité de cet appareil ou de tout autre appareil.

We have tried to make this manual as complete as possible and hope you will find it useful. **ADC** reserves the right to make changes from time to time, without notice or obligation, in prices, specifications, colors, and material, and to change or discontinue models.

Important

For your convenience, log the following information:

DATE OF PURCHASE _____ MODEL NO. **ADG-758** _____

RESELLER'S NAME _____

Serial Number(s) _____

Replacement parts can be obtained from your reseller or the **ADC** factory. When ordering replacement parts from the factory, you can FAX your order to **ADC** at (508) 678-9447 or telephone your order directly to the **ADC** Parts Department at (508) 678-9000. Please specify the dryer **model number** and **serial number** in addition to the **description** and **part number**, so that your order is processed accurately and promptly.

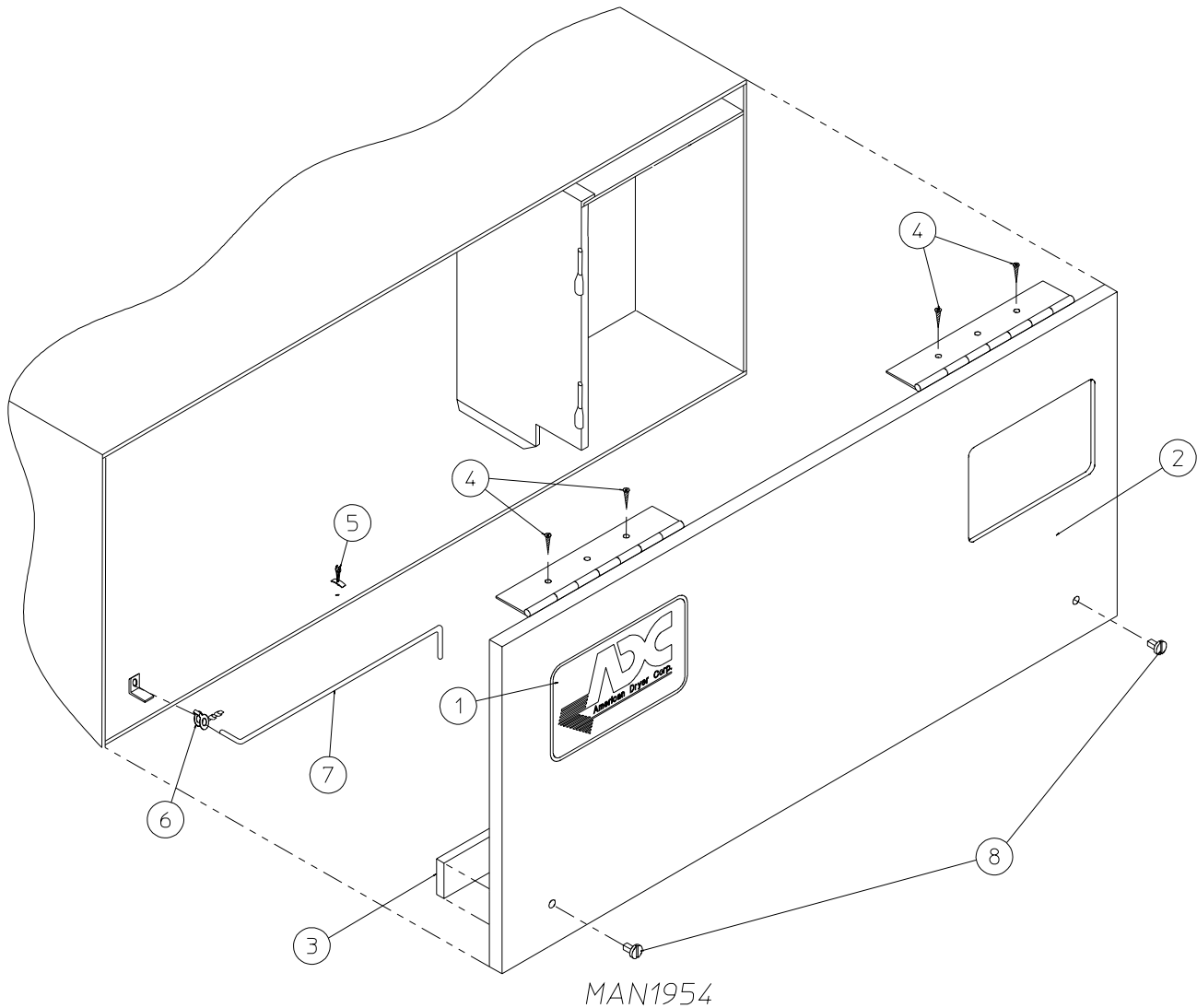
The illustrations on the following pages may not depict your particular dryer exactly. The illustrations are a composite of the various dryer models. Be sure to check the descriptions of the parts thoroughly before ordering.

“IMPORTANT NOTE TO PURCHASER”

Information **must be** obtained from your local gas supplier on the instructions to be followed if the user smells gas. These instructions **must be** posted in a prominent location near the dryer.

Table of Contents

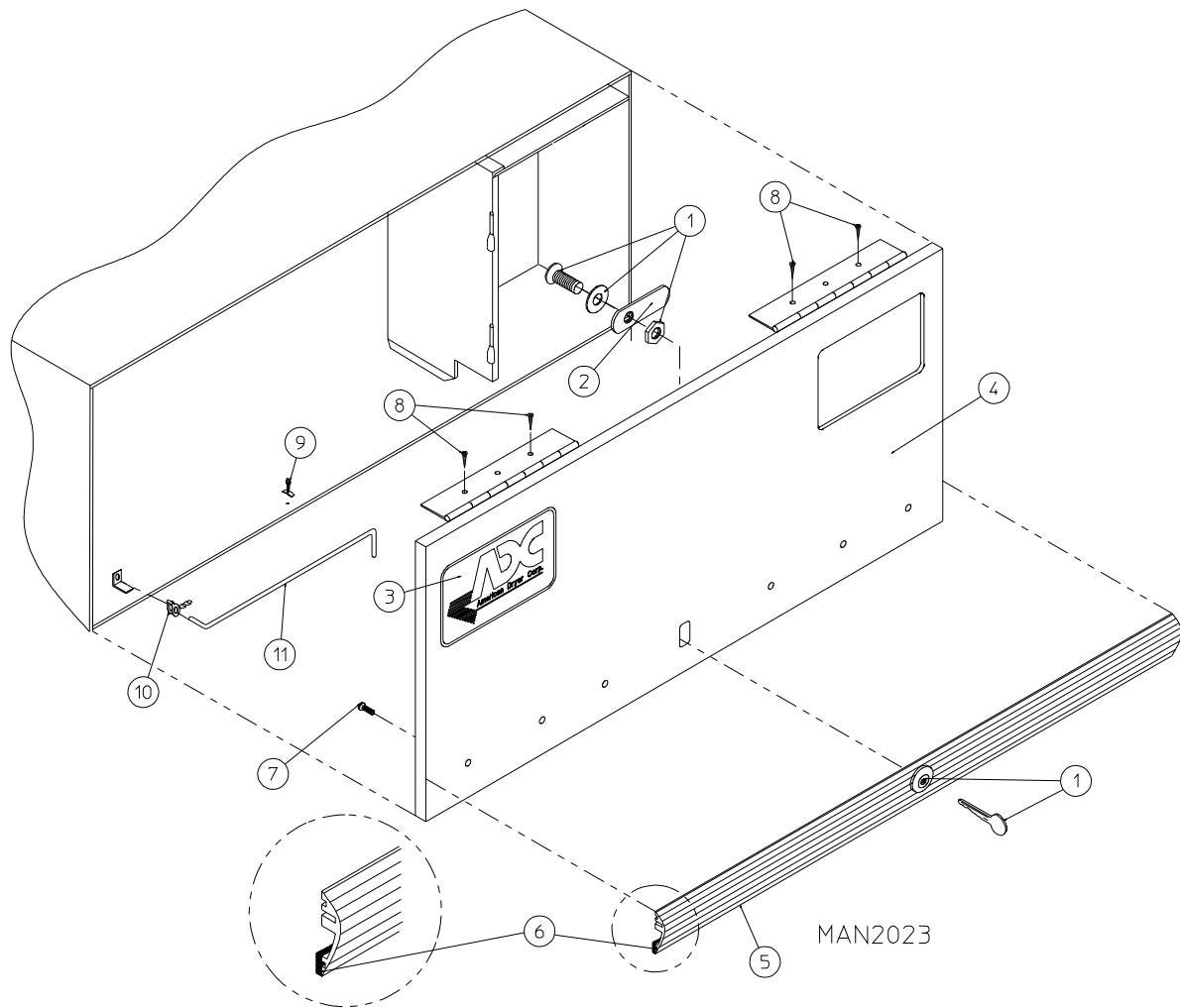
Control Door Assembly Without Trim	2
Control Door Assembly With Trim	3
Phase 5 OPL Microprocessor Control Panel Assembly	4
Phase 5 Coin Microprocessor Control Panel Assembly	5
Phase 5 Coin and OPL Microprocessor Control Box Assembly	6
Coin Vault Assembly	7
Dual Timer “Tap Touch” Controls	
For Models Mfd. as of November 3, 2000	8
Dual Timer Control Panel Assembly	
For Models Mfd. prior to November 3, 2000	9
Dual Timer Control Box Assembly	10
Front Panel Assembly for Plastic Door	11
“Plastic” Main Door Assembly	12
Main Door Switch Housing for Plastic Door	13
Main Door “Cold Rolled Steel (CRS)” Assembly	14
Main Door Switch Assembly Cold Rolled Steel (CRS) Door	15
Cold Rolled Steel (CRS) Door Front Panel	16
Basket (Tumbler)/Support Assemblies	17
Drop Lint Door Assembly Without Trim	18
Drop Lint Door Assembly With Trim	
For All Coin Models	19
Lint Trap Assembly	20
Idler Bearing Assembly	21
Basket (Tumbler) Bearing Assembly	22, 23
Non-Reversing T.E.F.C. Motor Mount Assembly	24, 25
Reversing T.E.F.C. Motor Mount Assembly	26, 27
Sensor Bracket Assemblies	28, 29
Direct Spark Ignition (DSI) Burner Assembly	
For Models Mfd. as of April 15, 2000	30, 31
Direct Spark Ignition (DSI) Burner Assembly	
For Models Mfd. prior to April 15, 2000	32, 33
Single-Phase (1Ø) Motor, Electric Relay Panel Assembly	34
3-Phase (3Ø) Motor, Electric Relay Panel Assembly	35
Microprocessor Reversing Rear Control Box Assembly	36
Dual Timer Reversing Rear Control Box Assembly	37
Outer Top/Back Guard Assemblies	38
Microprocessor Coin Acceptors Listing	39
Step Down Transformer Usage Listing	40
Additional Parts Available	41



MAN1954

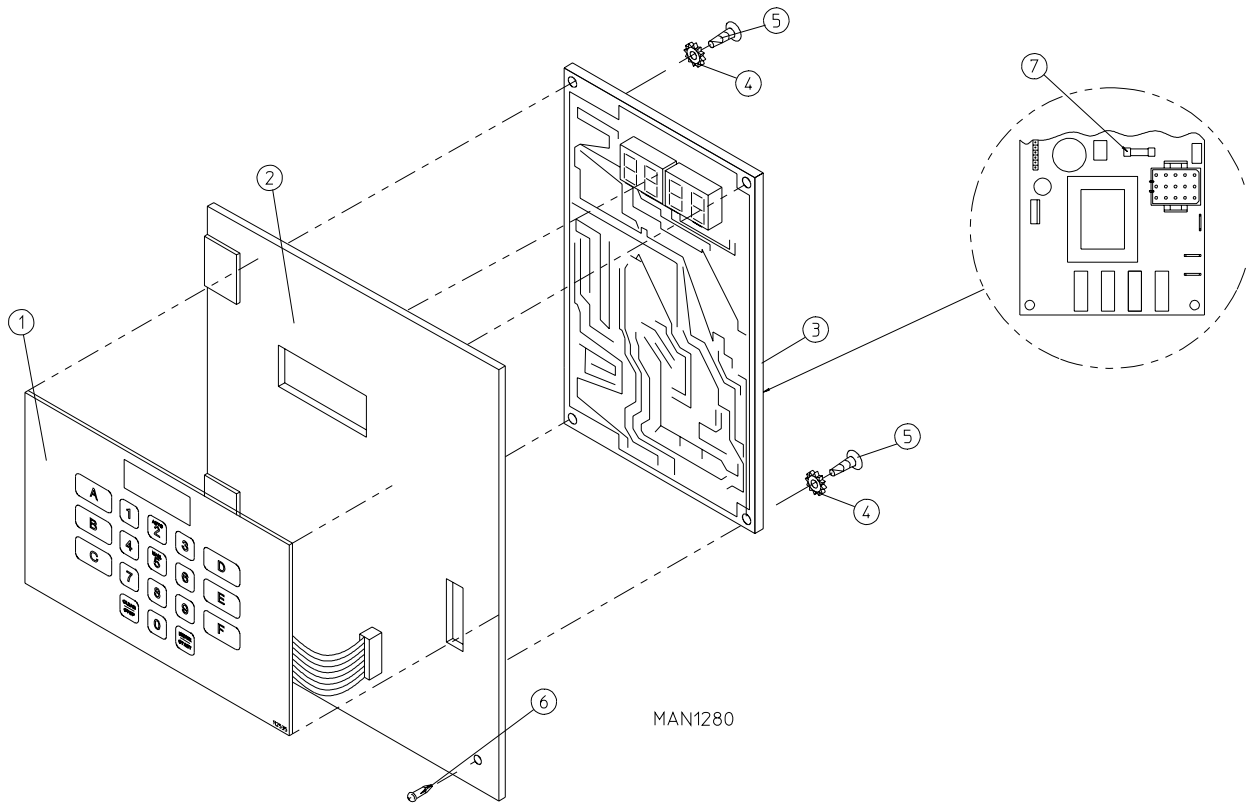
<u>Illus. No.</u>	<u>Part No.</u>	<u>Qty.</u>	<u>Description</u>
1	881053	1	ADC Logo ONLY
	870011	1	Logo Double Adhesive Tape Kit ONLY
2	881045*	1	Control Door (includes illus. nos. 2, 3, and 8)
	881046	1	Stainless Steel Control Door (includes illus. nos. 2, 3, and 8)
3	117604	4	Neoprene Sponge Tape (sold by the foot)
4	150300	4	#10-16 x 1/2" Hex Washer TEK Screw
5	102600	1	Control Door Rod Support Catch
6	102601	1	Control Door Retainer Clip
7	102502	1	Control Door Rod
8	160005	2	Turn Latch

* Specify color when ordering.



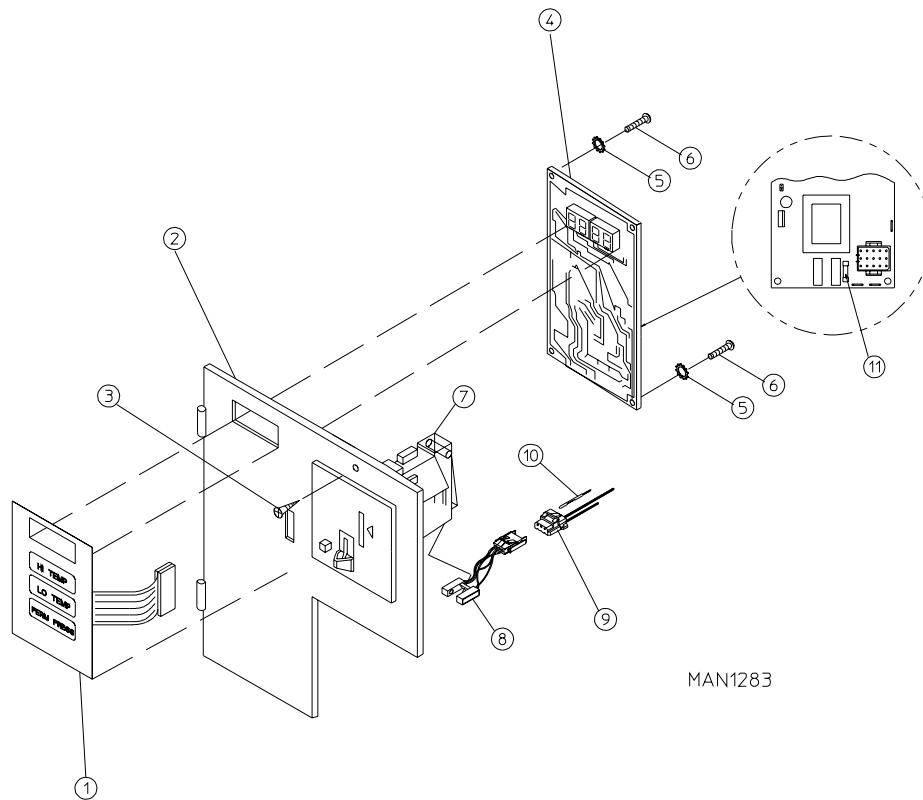
<u>Illus. No.</u>	<u>Part No.</u>	<u>Qty.</u>	<u>Description</u>
1	160015	1	High Security MK-100 Lock Assembly with Key (for coin models Only)
	160017	1	Special Dummy Lock (for non-coin models Only)
	160104	1	MK-100 Key
2	160016	1	Lock Cam
3	881053	1	ADC Logo
	870011	1	Logo Double Tape Kit
4	800020*	1	High Security Control Door Assembly (includes illus. nos. 4 through 7)
	800144	1	Stainless Steel High Security Control Door Assembly (includes illus. nos. 4 through 7)
5	180202	1	Top Trim Strip (gray) with Lock Hole (38-1/4" length)
6	117603	3	Suppressor Tape/Gasket (sold by the foot)
7	150201	6	#10-32 x 1/4" Phillips Round Head Machine Screw
8	150309	4	#10-16 x 1/2" Hex Head TEK Crimptite Screw
9	102600	1	Control Door Rod Support Catch
10	102601	1	Control Door Rod Retainer Clip
11	102502	1	Control Door Support Rod

* Specify color when ordering.



Illus. No.	Part No.	Qty.	Description
1	112535	1	OPL English Keyboard Label Assembly
	112276	1	OPL Stick-On Labels (English Only)...Not Illustrated
	112275	1	3-Language OPL Stick-On Labels...Not Illustrated (Spanish, Italian, and Hebrew)
	112277	1	3-Language OPL Stick-On Labels...Not Illustrated (English, Spanish, and Hebrew)
	112278	1	5-Language OPL Stick-On Labels...Not Illustrated (Italian, Dutch, French, German, and Chinese)
2	801255	1	Phase 5 Microprocessor Control Panel
	801256	1	Phase 5 Microprocessor Control Panel ONLY with Battery Bracket
	801206	1	Phase 5 OPL Non-Reversing Microprocessor Control Panel Assembly Complete (includes illus. nos. 1 through 6)
	801207	1	Phase 5 OPL Reversing Microprocessor Control Panel Assembly Complete (includes illus. nos. 1 through 6)
3	137222	1	Phase 5 OPL Non-Reversing Microprocessor Controller (computer) ONLY
	137231	1	Phase 5 OPL Reversing Microprocessor Controller (computer) ONLY
	824998	1	Phase 5 Battery Clip
4	153010	2	#6 Star Washer
	150005	2	#6-32 x 1/4" Phillips Round Head Machine Screw
6	150429	1	#10-16 x 1/2" TORX Head Crimp-tite Screw
	150433	1	TORX Hand Driver (for removal of TORX head screw)
	136048	1	1/8-Amp (Slo-Blo) Fuse

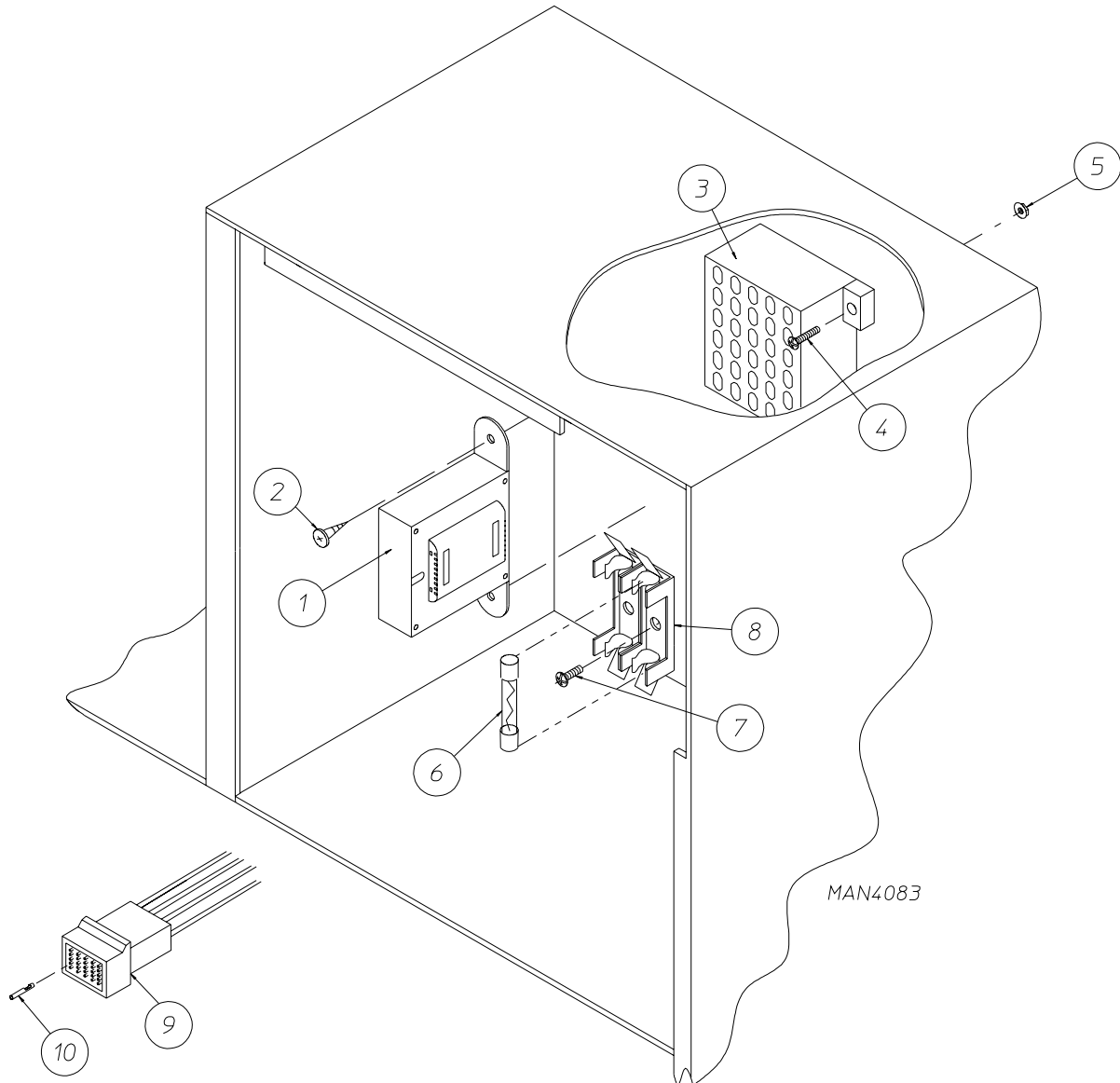
IMPORTANT: Check label on computer chip to verify correct part number for controller (computer).



<u>Illus. No.</u>	<u>Part No.</u>	<u>Qty.</u>	<u>Description</u>
1	112526	1	Coin Keyboard Label Assembly
2	801213	1	Phase 5 Coin Control Panel Assembly (includes illus. nos. 1, 2, and 4 through 6)
	801229	1	Phase 5 Coin Control Panel Assembly with Battery Option (includes illus. nos. 1, 2, and 4 through 6)
	801259	1	Coin Control Panel
	801258	1	Coin Control Panel ONLY with Battery Bracket
3	150309	1	#10-16 x 1/2" Hex Head TEK Crimptite Screw
4	137213	1	Phase 5 Coin Microprocessor Controller (computer)
	824998	1	Phase 5 Battery Clip
5	153010	2	#6 Star Washer
6	150005	2	#6-32 x 1/4" Phillips Round Head Machine Screw
7	-----	1	Coin Acceptor (refer to Microprocessor Coin Acceptors Listing on page 39)
8	137056*	1	Optic Switch
9	137023*	1	Optic Switch Connector
10	137021*	3	Microprocessor Socket ONLY
	880772	1	Single Coin Optical Switch Harness
	824080	1	Dual Coin Optical Switch Harness
	122800	1	Microprocessor (female) Pin Extraction Tool
11	136048	1	1/8-Amp (Slo-Blo) Fuse

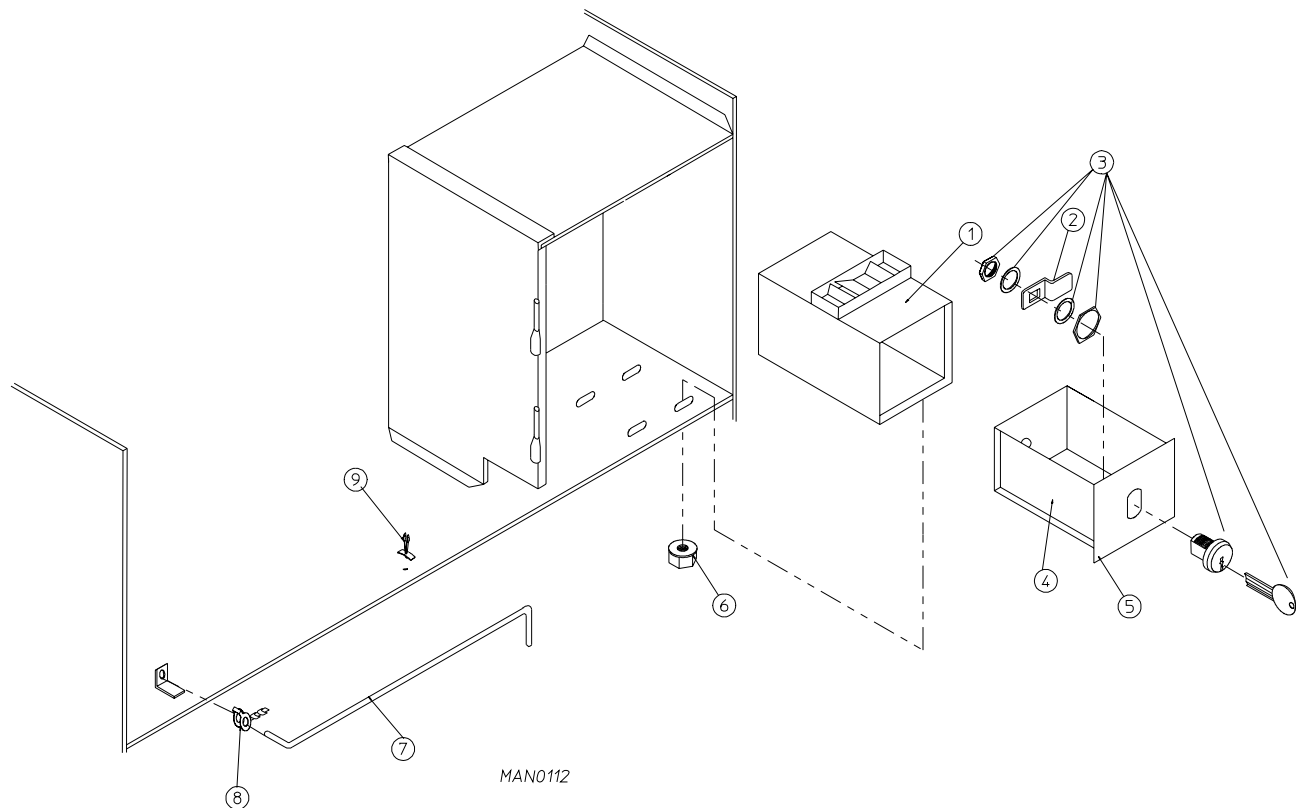
* For dual coin models double the quantity shown.

IMPORTANT: Check label on computer chip to verify correct part number of controller (computer).



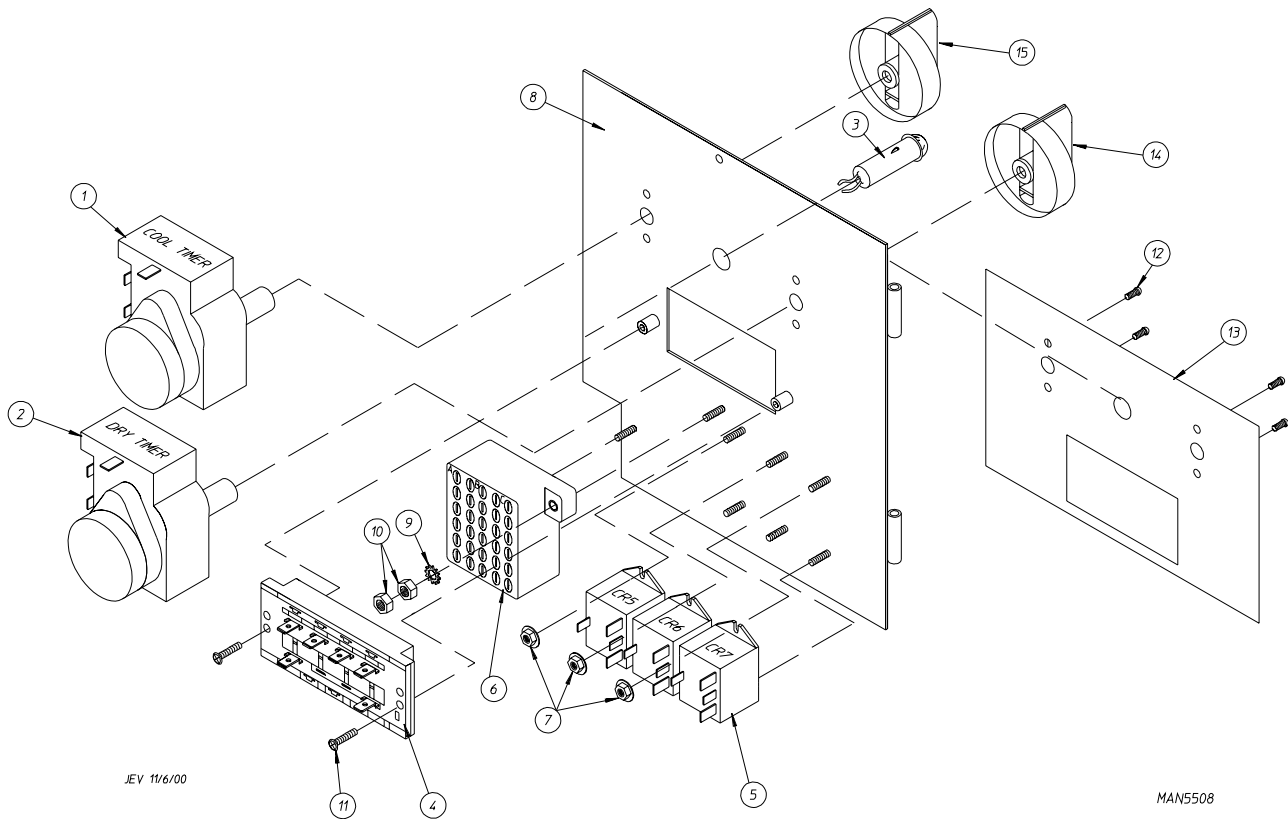
<u>Illus. No.</u>	<u>Part No.</u>	<u>Qty.</u>	<u>Description</u>
1	141403	1	Transformer - 24 VAC
2	150300	2	#10-16 x 1/2" Hex Washer TEK Screw
3	120715	1	30-Position Terminal Block
4	150002	2	#6-32 x 1" Phillips Round Head Machine Screw
5	151000	2	#6-32 Pal Nut
6	136057	*	1/2-Amp (Slo-Blo) Fuse
7	150301	*	#8-18 x 7/16" Phillips Pan Head TEK Screw
8	136008	*	Fuse Block/Strip
9	122641	1	15-Pin Microprocessor Connector
10	122706	*	Socket
	112801	1	Pin/Socket Extraction Tool...Not Illustrated

* As required.



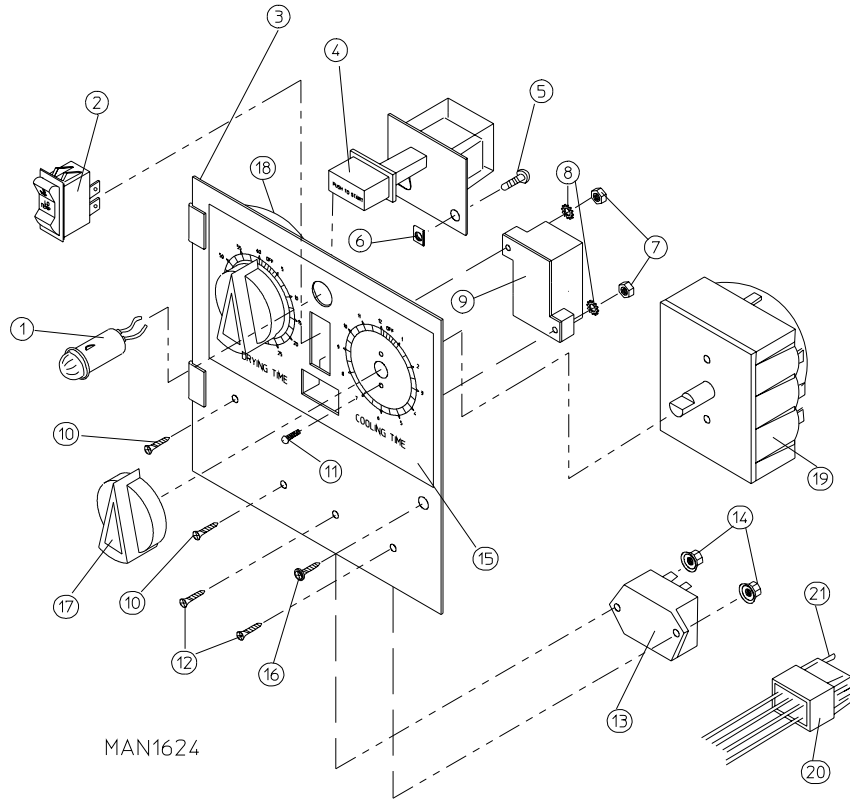
<u>Illus. No.</u>	<u>Part No.</u>	<u>Qty.</u>	<u>Description</u>
1	802112	1	Microprocessor Coin Vault Assembly Complete (includes illus. nos. 1 through 6)
	802117	1	Microprocessor Coin Vault ONLY
2	160028	1	Cam for 1/4 Turn Lock
3	875061	1	1/4 Turn Lock with Key and Cam
	160105*	1	1/4 Turn Mer-Pel Key ONLY
4	802020	1	1/4 Turn Coin Box Assembly (includes illus. nos. 2 through 5)
	802019	1	1/4 Turn Coin Box ONLY without Faceplate
	125915	1	High Security (Greenwald) Coin Box ONLY with Key
5	802018	1	1/4 Turn Coin Box Faceplate
6	152014	4	1/4-20 Free Spin Wash Nut
7	102502	1	Control Door Support Rod
8	102601	1	Control Door Rod Retainer Clip
9	102600	1	Control Door Rod Catch

* Specify key number when ordering.

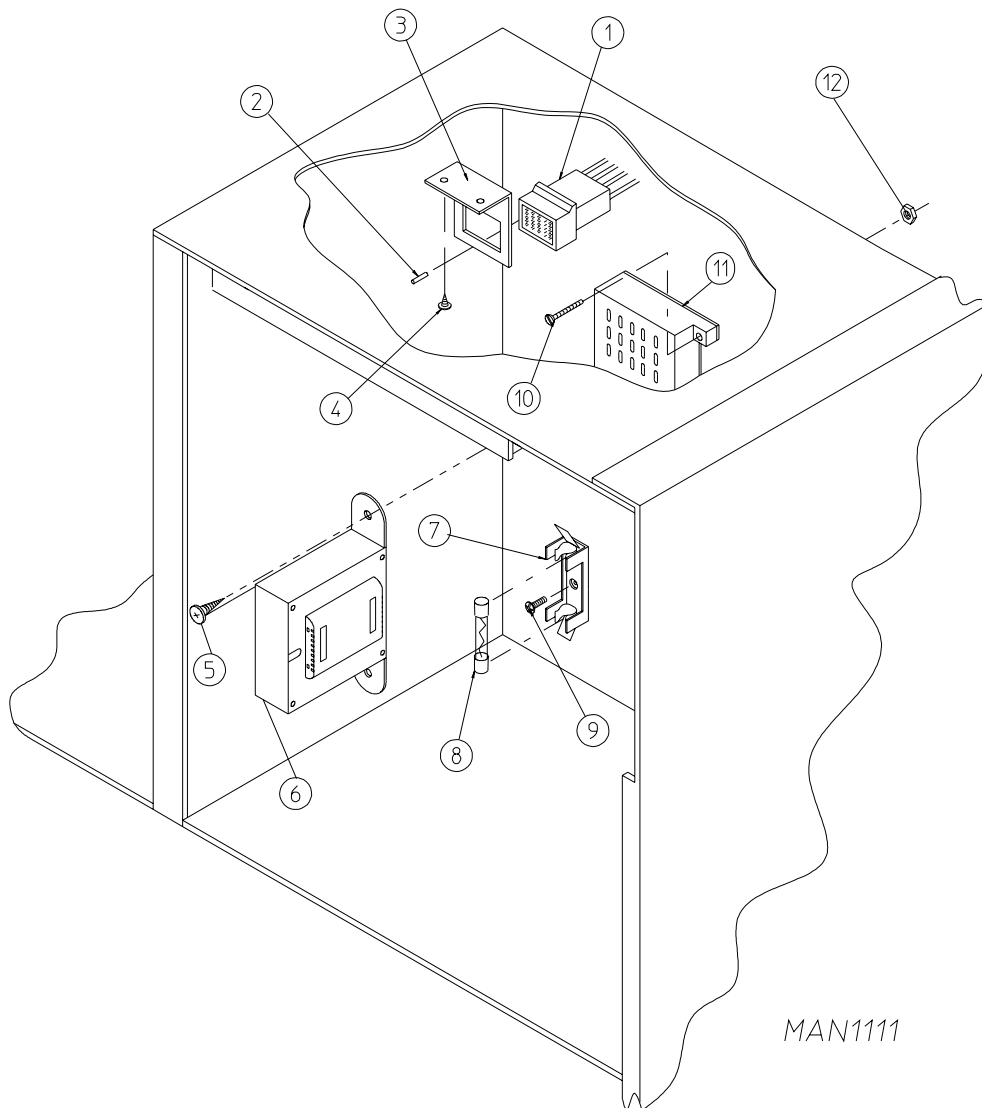


<u>Illus. No.</u>	<u>Part No.</u>	<u>Qty.</u>	<u>Description</u>
1	124030	1	15 Minute Timer - 24 VAC
2	124025	1	60 Minute Timer - 24 VAC
3	824175	1	Red Pilot Light - 24 VAC
4	122301	1	"Tap Touch" Switch
5	131932	3	Relay SPST 24v
6	120730	1	30-Position Terminal Block
7	151000	6	#6-32 Pal Nut
8	882903	1	Dual Timer Panel Complete (includes illus. nos. 1 through 15)
	850392	-	Dual Timer Panel ONLY
9	153010	2	#6 Star Washer
10	152000	3	#6-32 Hex Nut
11	150207	2	#10-24 x 1/2" Phillips Pan Head Machine Screw
12	150110	4	#8-32 x 1/4" Phillips Round Head Machine Screw
13	112563	1	Dual Timer Panel Overlay
14	124104	1	Pure Touch Knob with Red Pointer
15	124105	1	Pure Touch Knob with Blue Pointer

For Models Mfd. prior to November 3, 2000



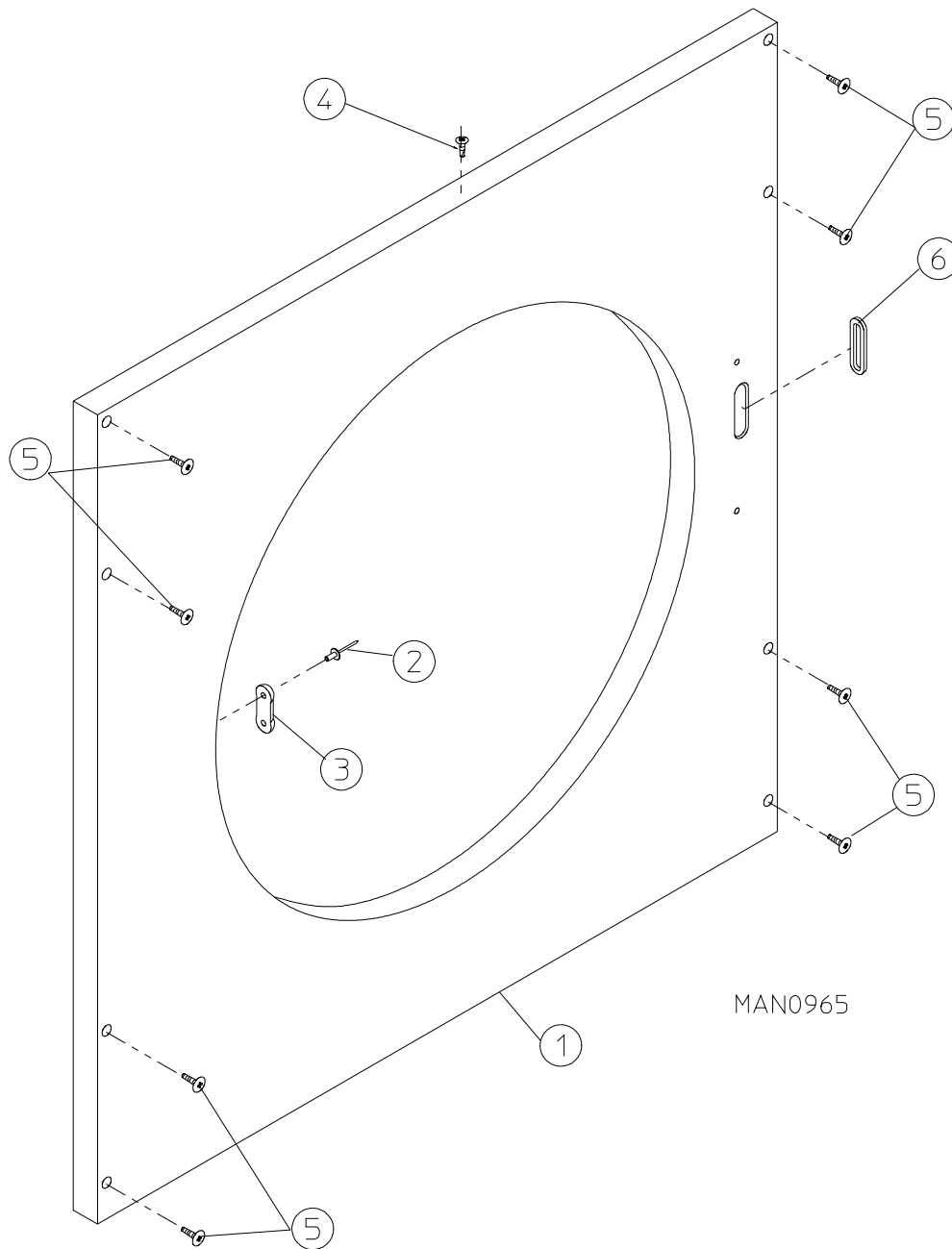
<u>Illus. No.</u>	<u>Part No.</u>	<u>Qty.</u>	<u>Description</u>
1	123005	1	Red Indicator Light - 24 VAC
2	122400	1	Rocker Heat Selector Switch
3	824015	1	Dual Timer Control Panel Assembly Complete - 24 VAC (includes illus. nos. 1 through 21)
	800051	1	Dual Timer Control Panel ONLY
4	131917	1	Push-To-Start Relay - 24 VAC
5	150207	2	#10-24 x 1/2" Round Head Machine Screw
6	154001	2	#10-24 Speed Nut
7	152000	2	#6-32 Hex Nut
8	153010	2	#6 Star Washer
9	120730	1	30-Position Terminal Block
10	150002	2	#6-32 x 1" Phillips Round Head Machine Screw
11	150110	4	#8-32 x 1/4" Phillips Round Head Machine Screw
12	150001	2	#6-32 x 1/2" Phillips Round Head Machine Screw
13	131931	1	Dual Timer Relay - 24 VAC
14	151000	2	#6-32 Pal Nut
15	112050	1	Dual Timer Label
16	150309	1	#10-16 x 1/2" Hex Head TEK Crimpite Screw
17	124103	2	Arrow Timer Knob
18	124025	1	60-Minute Timer - 24 VAC
19	124030	1	15-Minute Timer - 24 VAC
20	122602	1	9-Pin Connector ONLY
21	122700	8	Pin Terminal ONLY
--	122801	1	Pin/Socket Extraction Tool...Not Illustrated



<u>Illus. No.</u>	<u>Part No.</u>	<u>Qty.</u>	<u>Description</u>
1	122603	1	9-Pin Socket Connector
2	122701	8	Socket Terminal
	122801	1	Pin/Socket Extraction Tool
3	315010	1	9-Pin Connector Bracket
4	150300	2	#10-16 x 1/2" Hex Washer TEK Screw
5	150300	2	#10-16 x 1/2" Hex Washer TEK Screw
6	141403	1	Transformer - 24 VAC
7	136008	*	Fuse Block/Strip
8**	136057	*	1/2-Amp (Slo-Blo) Fuse
9	150301	*	#8-18 x 7/16" Phillips Pan Head TEK Screw
10	150002	2	#6-32 x 1" Phillips Round Head Machine Screw
11	120715	1	30-Position Terminal Block
12	151000	2	#6-32 Pal Nut

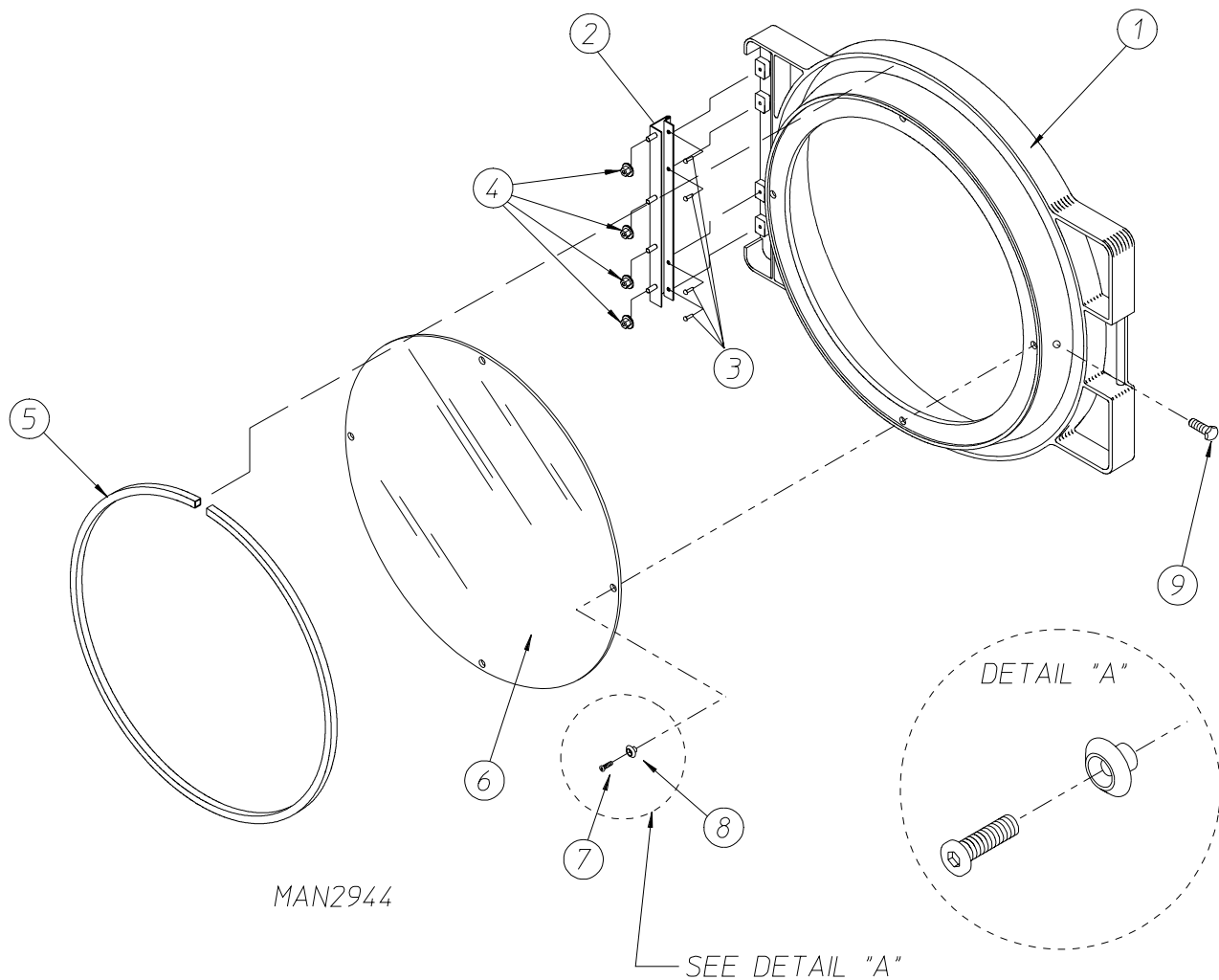
* As required.

** Check fuse rating for verification.

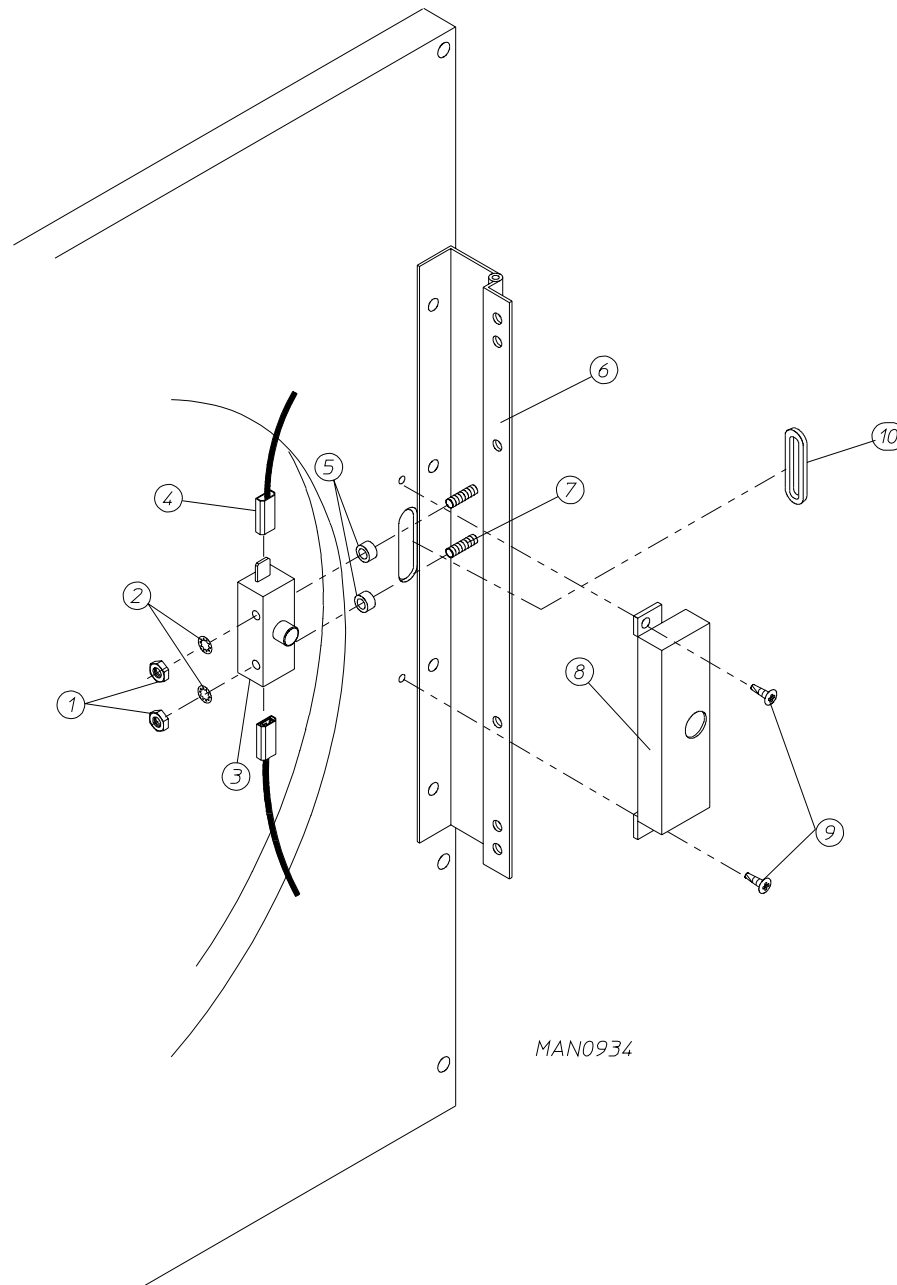


Illus. No.	Part No.	Qty.	Description
1	875302*	1	Right Hand Insulated Front Panel Assembly Complete (includes illus. nos. 1 through 3 and 6)
	875313	1	Stainless Steel Right Hand Insulated Front Panel Assembly Complete (includes illus. nos. 1 through 3 and 6)
2	154215	2	1/4" Pop Rivet
3	170330	1	Friction Door Latch
4	150300	1	#10-16 x 1/2" Hex Washer TEK Screw
5	150309	8	#10-16 x 1/2" Hex Head TEK Crimptite Screw
6	121405	1	Rubber Grommet

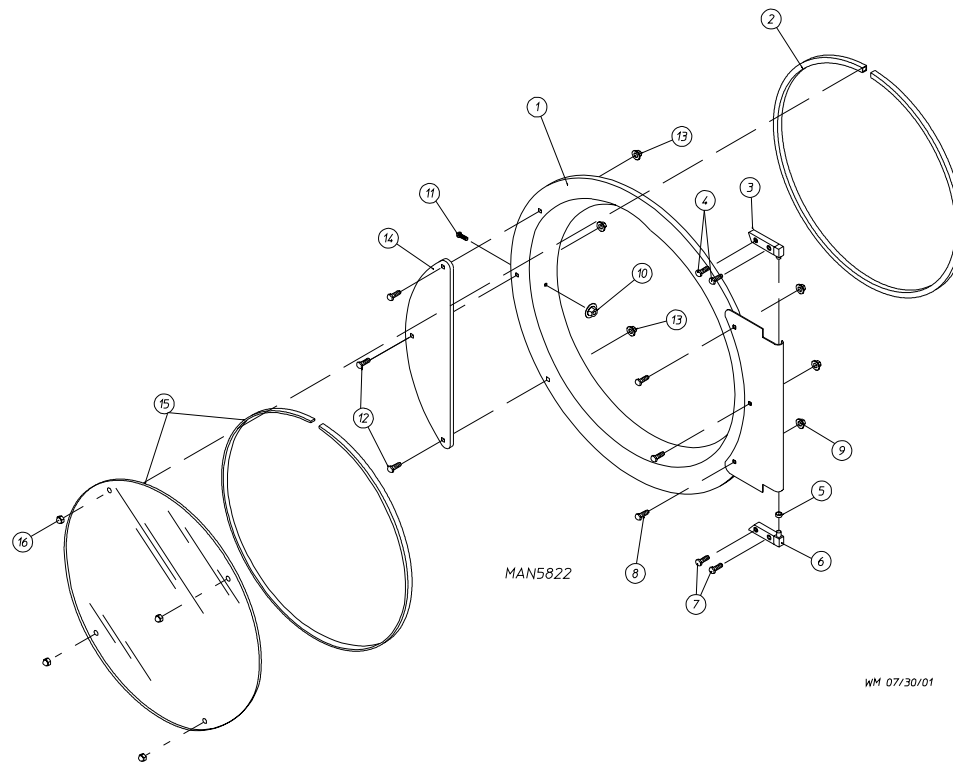
* Specify color when ordering.



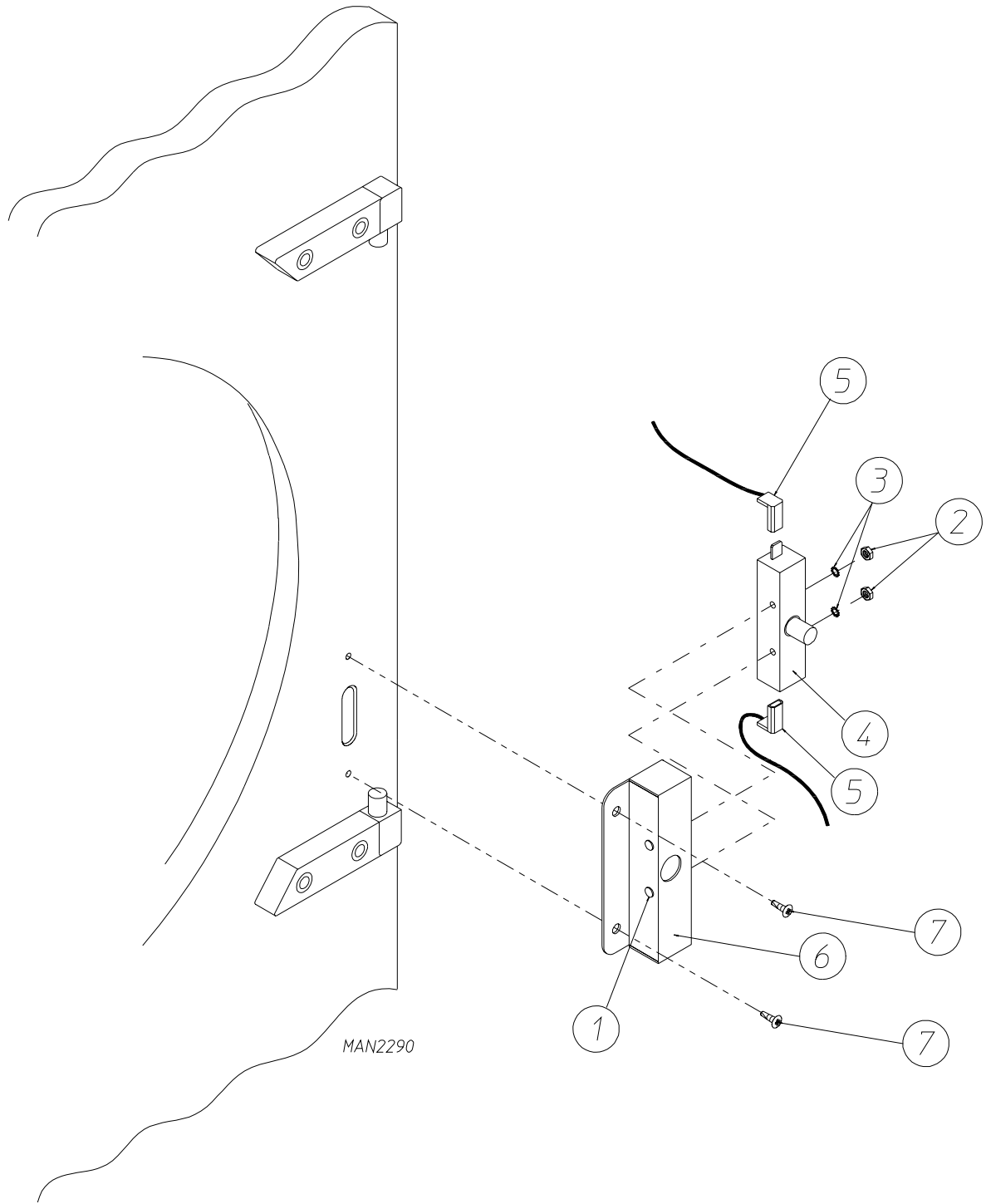
<u>Illus. No.</u>	<u>Part No.</u>	<u>Qty.</u>	<u>Description</u>
1	881421	1	Gray Plastic Main Door Assembly Complete with Mechanical Fasteners (includes illus. nos. 1 and 5 through 9)
2	800448	4	12-1/2" Stainless Steel Main Door Hinge Assembly
3	150410	4	#10-24 x 3/8" Phillips Pan Head Taptite Screw
4	152014	1	1/4-20 Free Spin Wash Nut
5	102349	1	Main Door Gasket
6	102212	1	20-7/16" Door Glass with 4 Holes
	170730	1	Main Door Glass Adhesive (10.3 oz. cartridge)
7	150448	4	1/2" Stainless Steel Flat Head Allen Screw
8	170319	4	Door Glass (nylon) Spacer
9	150431	1	Main Door Latch Screw (#10 x 7/16" dome hex head)



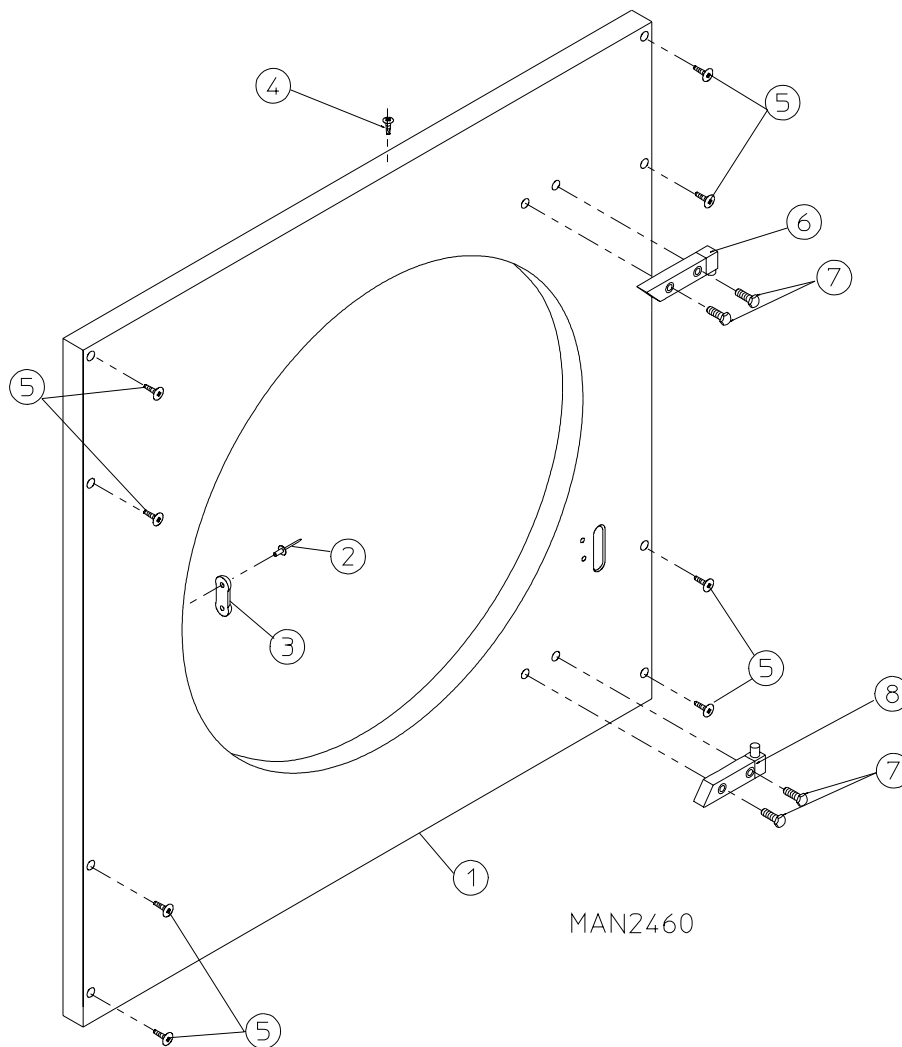
<u>Illus. No.</u>	<u>Part No.</u>	<u>Qty.</u>	<u>Description</u>
1	152013	2	#6-32 Hex Nut
2	153008	2	#6 Lock Washer
3	137005	1	Single-Pole Door Switch
4	121028	2	Insulated Female Terminal
5	154281	2	3/8" Standard Nylon Spacer
6	800448	1	12-1/2" Stainless Steel Main Door Hinge Assembly (includes illus. nos. 6 and 7)
7	153565	2	#6-32 x 1" Self Clinching Stud
8	313218	1	Main Door Switch Housing
9	150201	2	#10-32 x 1/4" Phillips Pan Head Screw
10	121405	1	Rubber Grommet



Illus. No.	Part No.	Qty.	Description
1	881150	1	Black Main Door Assembly Complete (includes illus. nos. 1, 2, and 8 through 15)
2	102354	1	Door Gasket
	170730	1	Clear Glass Adhesive (10.3 oz. cartridge)
	170731	1	Black Glass Adhesive (10.3 oz. cartridge)
3	881152	1	Black Top Hinge Block Assembly (includes illus. nos. 3 and 4)
4	150445	2	1/4-20 x 3/4" Black Cap Head Setscrew
5	153031	1	1/4" Nylon Washer
6	881151	1	Black Bottom Hinge Block Assembly (includes illus. nos. 5 through 7)
7	150445	2	1/4-20 x 3/4" Black Cap Head Setscrew
	150443	2	1/4-20 x 3/4" Stainless Steel Cap Head Setscrew
8	150683	3	1/4-20 x 5/8" Black Carriage Bolt
9	152014	3	1/4-20 Free Spin Wash Nut
10	151010	1	#10-32 Black Hex Acorn Nut
11	150120	1	Door Latch Screw
12	150683	3	1/4-20 x 5/8" Black Carriage Bolt
13	152014	3	1/4-20 Free Spin Wash Nut
14	881210	1	Black Main Door Handle
15	102218	1	20-7/16" Door Glass
	102360	1	Glass/Door Gasket Tape (for models mfd. as of February 9, 2001)
	170731	1	Black Glass Adhesive (10.3 oz. cartridge) (for models mfd. prior to February 9, 2001)
16	151013	4	#10-32 Black Nylon Acorn Nut

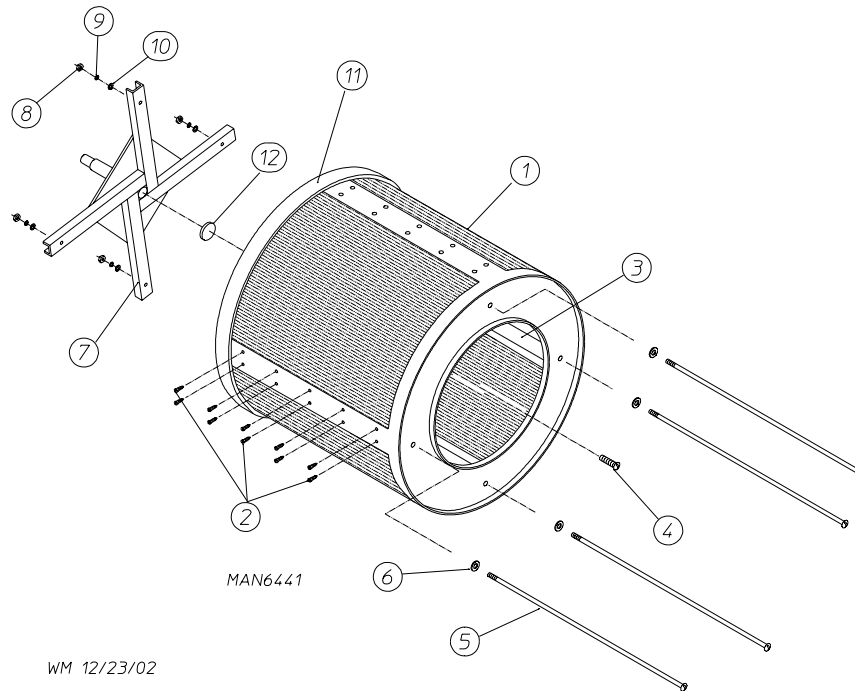


<u>Illus. No.</u>	<u>Part No.</u>	<u>Qty.</u>	<u>Description</u>
1	153566	2	#6-32 x 7/8" Clinch Stud
2	152013	2	#6-32 Hex Nut
3	153010	2	#6 Star Washer
4	137005	1	Single-Pole Door Switch
5	122636	2	Flag Terminal
6	881211	1	Main Door Switch Housing
7	150301	2	#8-18 x 7/16" Phillips Pan Head TEK Screw



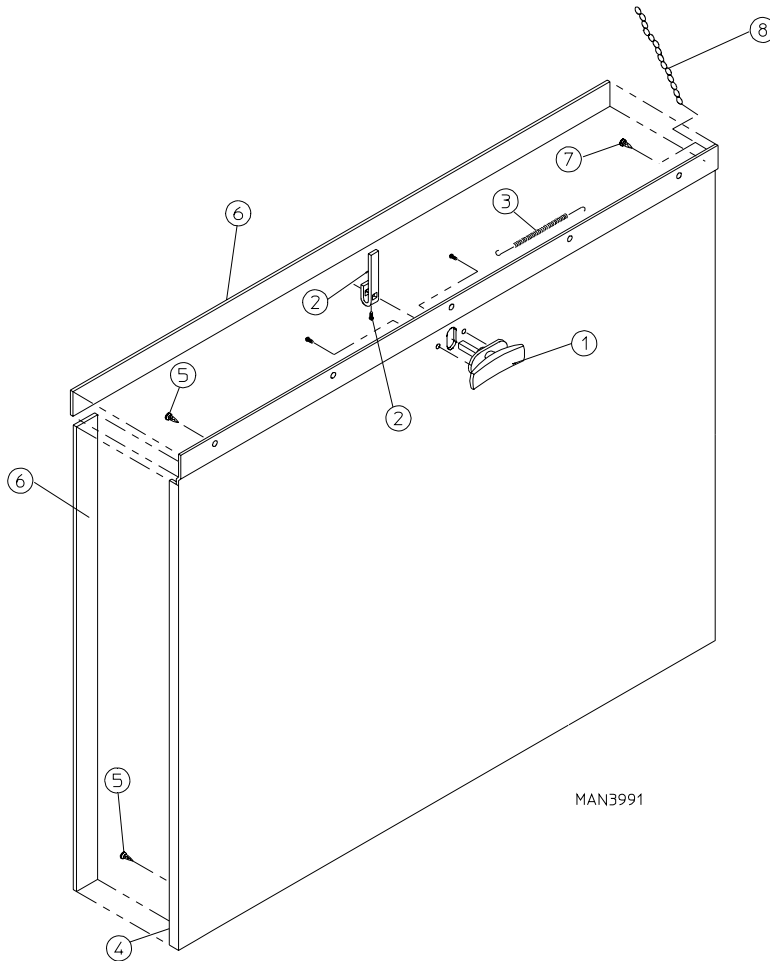
<u>Illus. No.</u>	<u>Part No.</u>	<u>Qty.</u>	<u>Description</u>
1	881270*	1	Right Hand Front Panel Assembly (cold rolled steel [CRS] door) (includes illus. nos. 1 through 3)
	881288	1	Stainless Steel Front Panel Assembly (cold rolled steel [CRS] door) (includes illus. nos. 1 through 3)
	881996*	1	Left Hand Front Panel Assembly (cold rolled steel [CRS] door) (includes illus. nos. 1 through 3)
2	154215	2	1/4" Pop Rivet
3	170330	1	Friction Door Latch
4	150300	1	#10-16 x 1/2" Hex Washer TEK Screw
5	150309	8	#10-16 x 1/2" Phillips Hex Head TEK Crimpite Screw
6	881152	1	Black Top Hinge Block Assembly
	881208	1	Stainless Steel Top Hinge Block Assembly
7	150445	4	1/4-20 x 7/8" Black Cap Head Setscrew
	150443	4	1/4-20 x 7/8" Stainless Steel Cap Head Setscrew
8	881151	1	Black Bottom Hinge Block Assembly
	881209	1	Stainless Steel Bottom Hinge Assembly

* Specify color when ordering.



<u>Illus. No.</u>	<u>Part No.</u>	<u>Qty.</u>	<u>Description</u>
1*	800708	1	Basket (tumbler) ONLY without Felt Collar
	800857	1	Stainless Steel Basket (tumbler) ONLY without Felt Collar
	800816	1	Non-Reversing Basket (tumbler) and Support Assembly Complete (includes illus. nos. 1 through 10)
	800819	1	Reversing Basket (tumbler) and Support Assembly Complete (includes illus. nos. 1 through 10)
	800873	1	Stainless Steel Non-Reversing Basket (tumbler) and Support Assembly Complete (includes illus. nos. 1 through 10)
	800876	1	Stainless Steel Reversing Basket (tumbler) and Support Assembly Complete (includes illus. nos. 1 through 10)
2	150413	40	#10-16 x 1/2" TORX Head CrimpTite Screw
	150429	1	TORX Hand Driver (for removal of TORX head screw)
3	301308	4	Basket (tumbler) Rib ONLY
	301408	4	Stainless Steel Basket (tumbler) Rib ONLY
4	150500	1	5/16-18 x 3/4" Socket Button Head Screw
5	100905	4	3/8-16 x 37" Tie Rod
6	153004	4	3/8" Flat Washer
7	800613	1	Non-Reversing Basket (tumbler) Support ONLY
	800615	1	Reversing Basket (tumbler) Support ONLY
8	152005	4	3/8" Hex Nut
9	153005	4	3/8" Lock Washer
10	153004	4	3/8" Flat Washer
11	116000	1	Felt Collar ONLY
--	401010	1	#847 Adhesive for Felt Collar
12	115986	1	1/4" x 2" Basket (tumbler) Pad

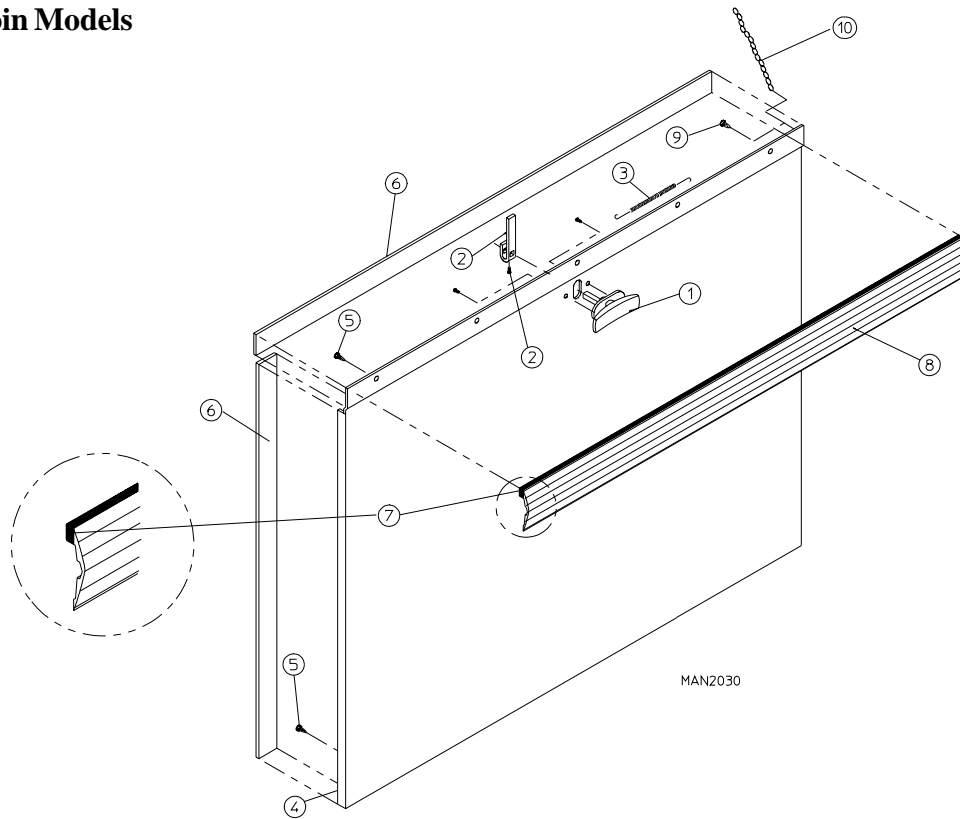
* Felt collar is not included and **must be** ordered separately.



<u>Illus. No.</u>	<u>Part No.</u>	<u>Qty.</u>	<u>Description</u>
1	800150	1	Knob Latch Kit Assembly (includes illus. nos. 1 and 2)
	160200	1	Knob Latch ONLY with 2 Screws (without cam)
	160003	1	Dummy Lock ONLY (for non-coin models)
	160104	1	MK-100 Key ONLY (for dummy lock)
2	160008	1	Lock Cam for AD-100 and Dummy Lock
	160009	1	Knob Latch Adjustable Cam ONLY
	150425	1	#12-24 x 3/8" Round Head Machine Screw ONLY (screw for knob latch adjustable cam)
3	157000	1	Drop Lint Door Spring
4	802104*	1	Insulated Drop Lint Door Assembly (includes illus. nos. 4 through 8)
	882106	1	Stainless Steel Insulated Drop Lint Drawer Assembly (includes illus. nos. 4 through 8)
5	150201	6	#10-32 x 1/4" Phillips Pan Head TEK Screw
6	117604	7	Neoprene Sponge Tape (sold by the foot)
7	150419	2	#6 x 1/2" Tamperproof TEK Screw
	150418	1	Tamperproof Screw Hand Driver
8	108120	1	Chain for Drop Lint Door (10-1/2" length)

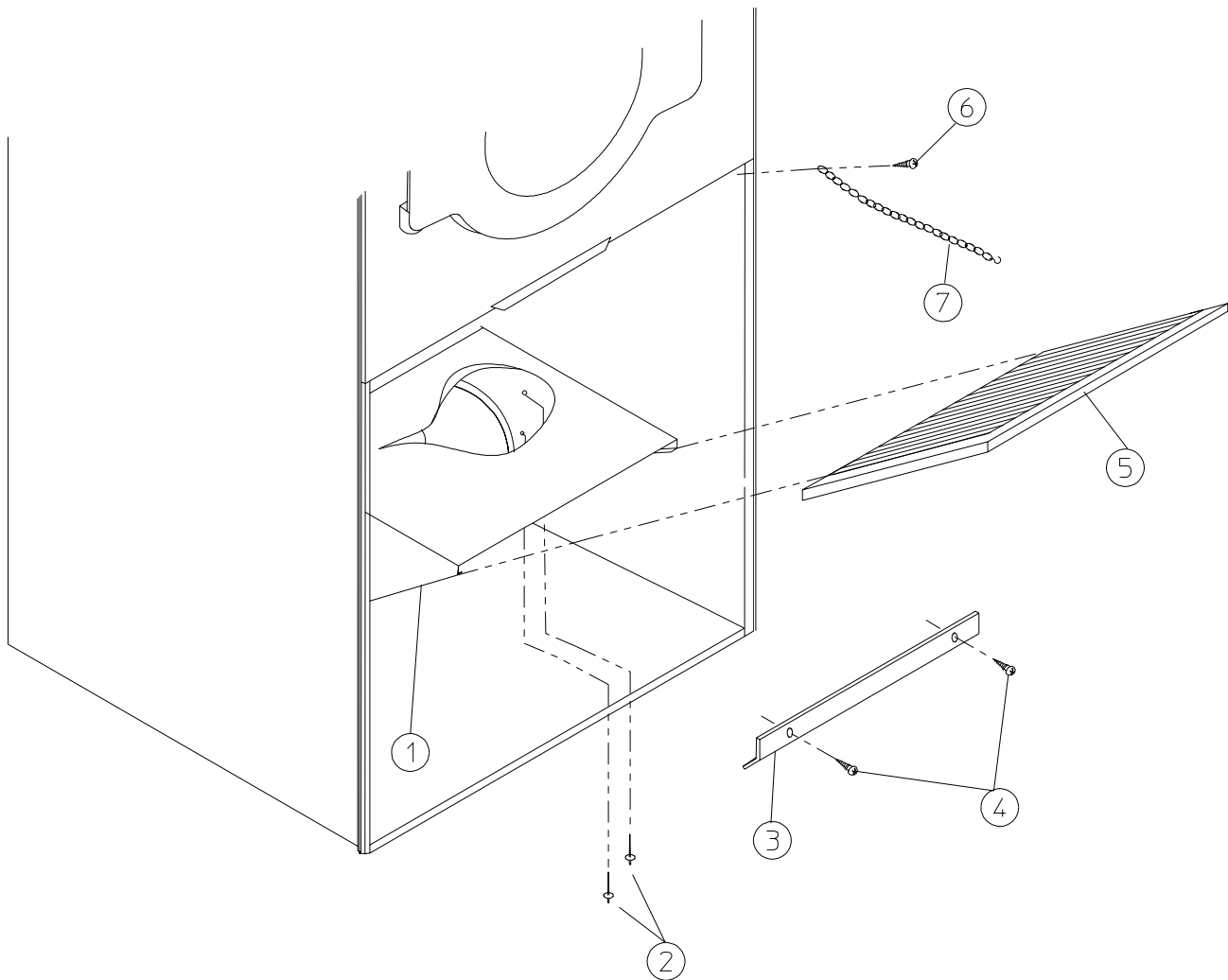
* Specify color when ordering.

For ALL Coin Models



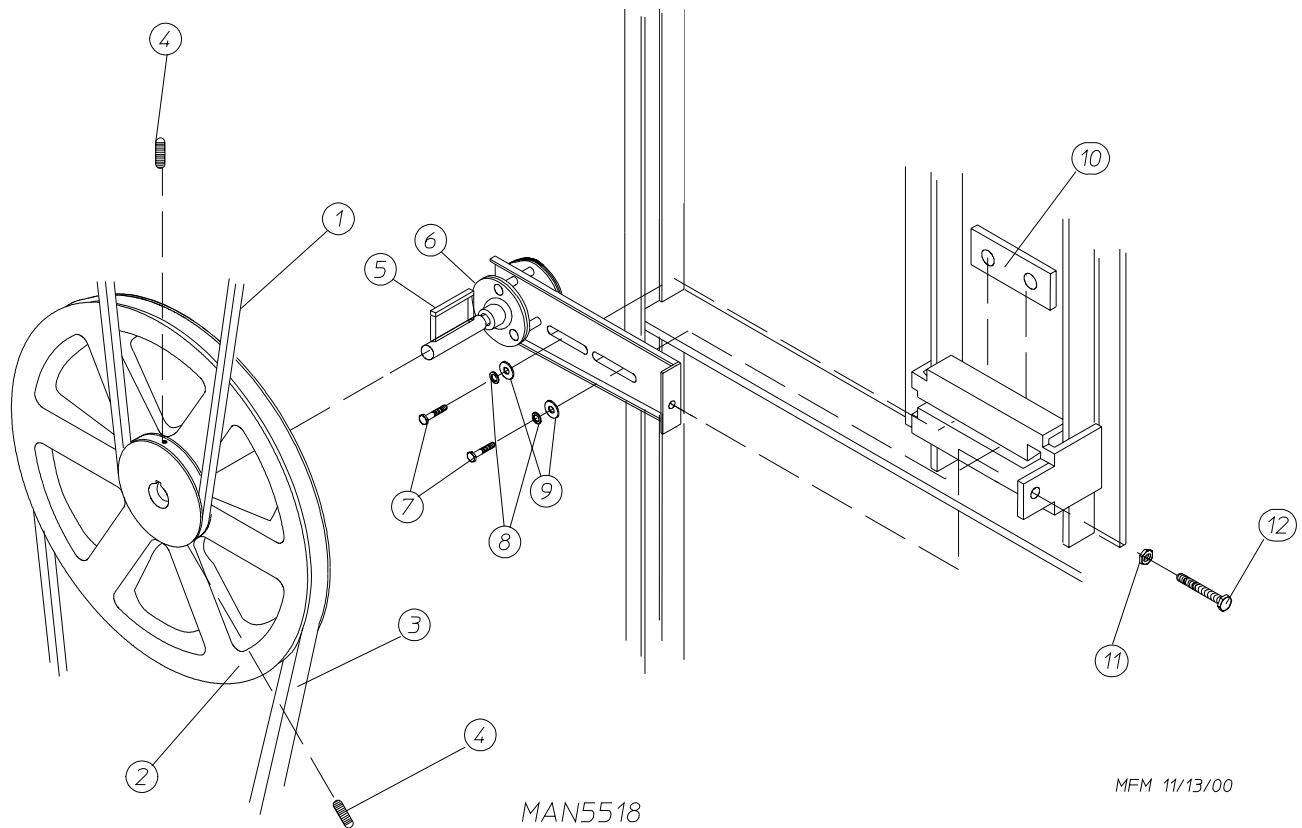
Illus. No.	Part No.	Qty.	Description
1	160001	1	AD-100 Lock Assembly with Key (for coin models Only)
	160103	1	AD-100 Key ONLY
	800150	1	Knob Latch Kit Assembly (includes illus. nos. 1 and 2)
	160200	1	Knob Latch ONLY with 2 Screws (without cam)
	160003	1	Dummy Lock ONLY (for non-coin models)
2	160104	1	MK-100 Key ONLY (for dummy lock)
	160008	1	Lock Cam for AD-100 and Dummy Lock
	160009	1	Knob Latch Adjustable Cam ONLY
	150425	1	#12-24 x 3/8" Round Head Machine Screw ONLY (screw for knob latch adjustable cam)
3	157000	1	Drop Lint Door Spring
4	800237*	1	Insulated Drop Lint Door Assembly (includes illus. nos. 4 through 8)
	880229	1	Stainless Steel Insulated Drop Lint Drawer Assembly (includes illus. nos. 4 through 8)
5	150201	6	#10-32 x 1/4" Phillips Pan Head TEK Screw
6	117604	7	Neoprene Sponge Tape (sold by the foot)
7	117603	3	Noise Suppressor Tape (sold by the foot)
8	180212	1	Mid Trim/Kick Plate - Gray (8-1/4" length)
9	150419	2	#6 x 1/2" Tamperproof TEK Screw
	150418	1	Tamperproof Screw Hand Driver
10	108120	1	Chain for Drop Lint Door (10-1/2" length)

* Specify color when ordering.

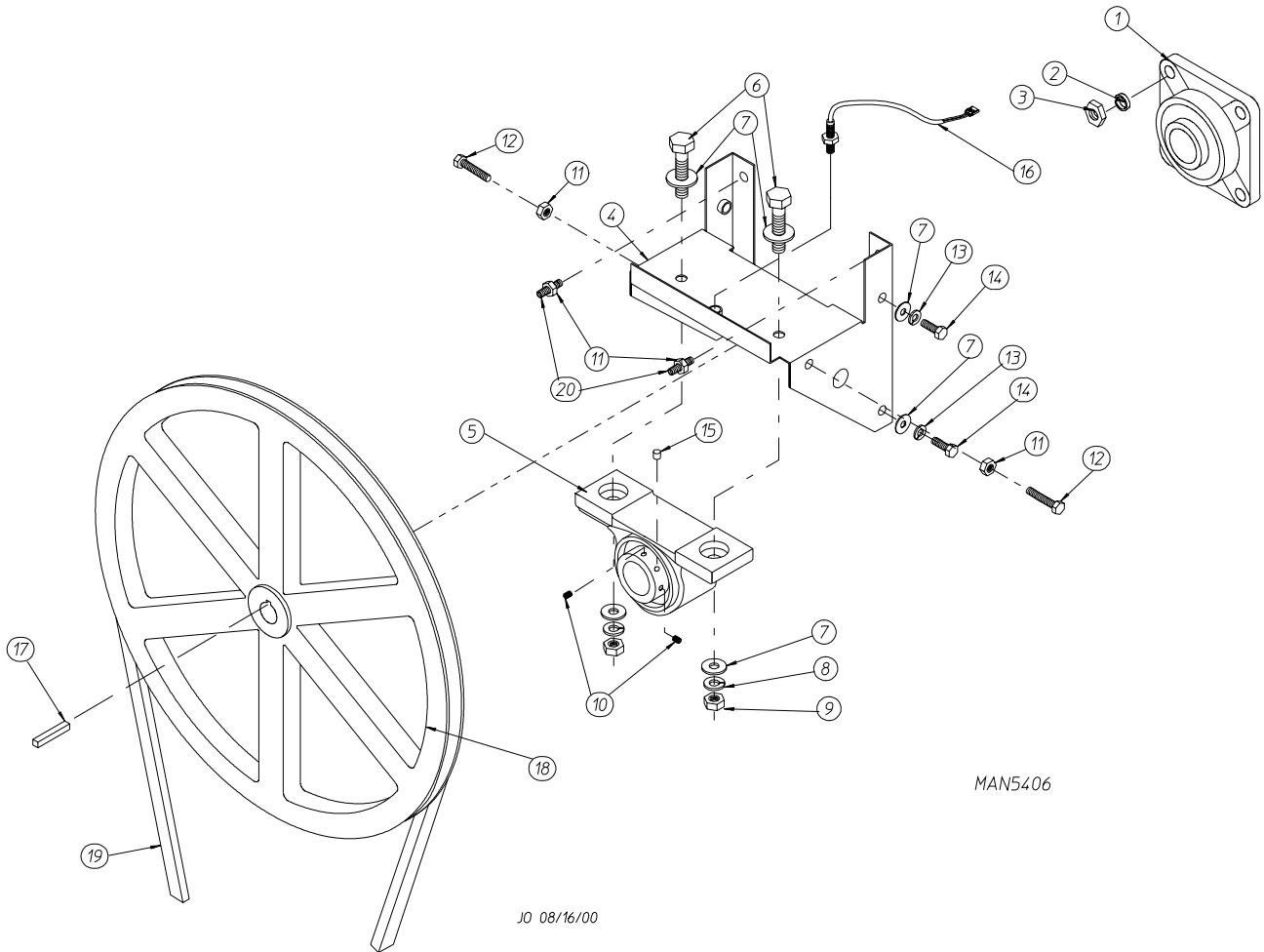


MAN0107

<u>Illus. No.</u>	<u>Part No.</u>	<u>Qty.</u>	<u>Description</u>
1	800472	1	Non-Reversing Lint Trap Assembly Complete (includes illus. nos. 1 and 3 through 5)
	800473	1	Reversing Lint Trap Assembly Complete (includes illus. nos. 1 and 3 through 5)
	850187	1	Non-Reversing Lint Trap ONLY
	850188	1	Reversing Lint Trap ONLY
2	154200	7	5/32" Pop Rivet
3	304101	1	Lint Screen Holder
4	150300	2	#10-16 x 1/2" Hex Washer TEK Screw
5	800506	1	Lint Screen
6	150419	2	#6 x 1/2" Tamperproof TEK Screw
7	108120	1	Chain for Drop Lint Door (10-1/2" length)
-	150418	1	Tamperproof Screw Hand Driver



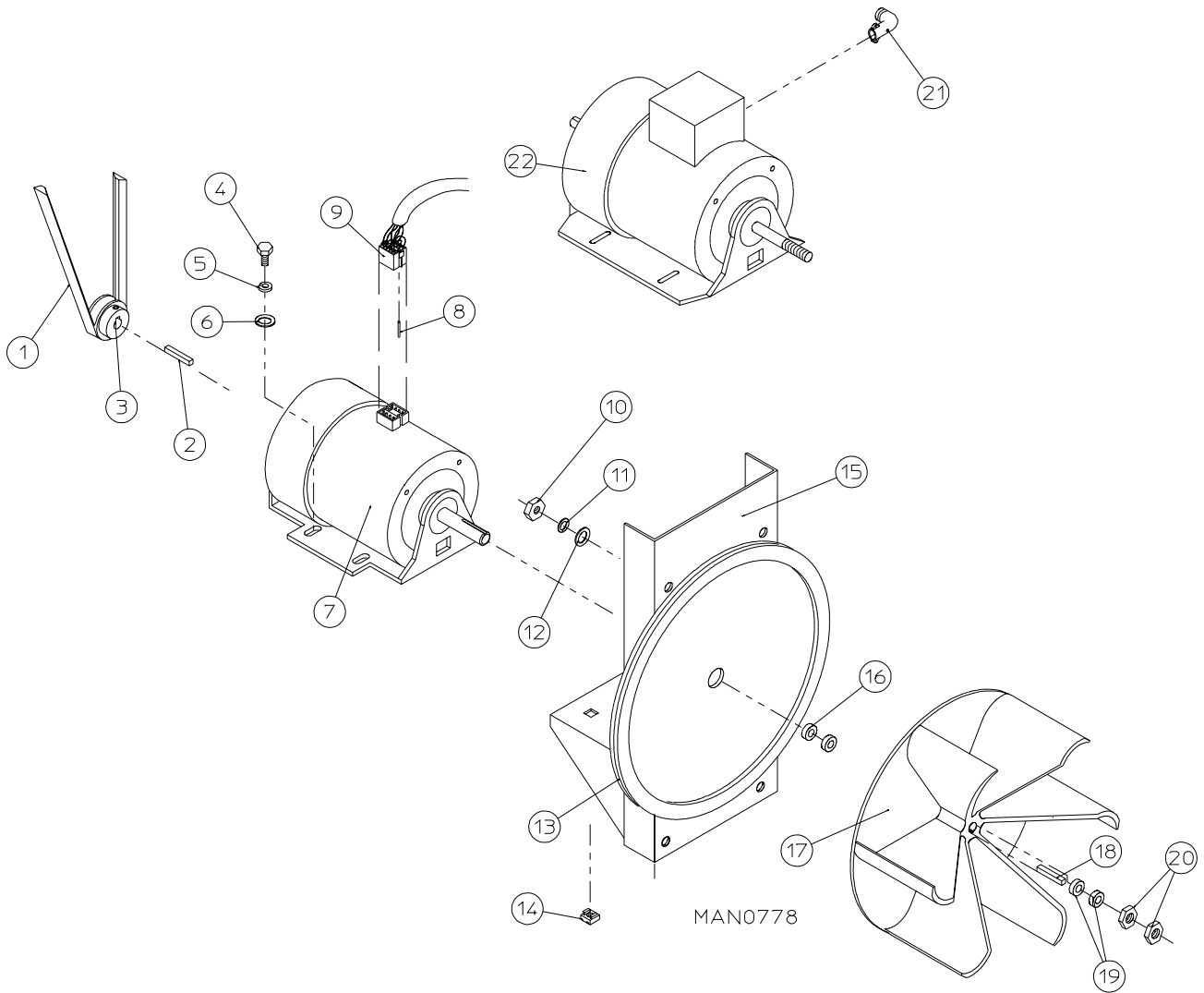
<u>Illus. No.</u>	<u>Part No.</u>	<u>Qty.</u>	<u>Description</u>
1	100165	1	5L-610 V-Belt (idler to basket [tumbler]) for Non-Reversing Models ONLY
	100106	1	5L-690 V-Belt (idler to basket [tumbler]) for Reversing Models ONLY
2	101140	1	14" x 3" Compound Pulley
3	100166	1	4L-790 V-Belt (idler to motor) 60 Hz (for non-reversing models Only)
	100167	1	4L-800 V-Belt (idler to motor) 50 Hz (for non-reversing models Only)
	100109	1	4L-650 V-Belt (idler to motor) 50/60 Hz (for reversing models Only)
4	154301	2	5/16-18 x 1" Allen Setscrew
5	100705	1	3/16" x 3/16" x 1-3/8" Key
6	882576	1	Idler Bearing Assembly Complete (includes illus. nos. 5 through 12)
7	150617	2	3/8-16 x 1" Hex Head Machine Bolt
8	153005	2	3/8" Lock Washer
9	153004	2	3/8" Flat Washer
10	801009	1	Idler Square Washer
11	152004	1	5/16-18 Hex Nut
12	150509	1	5/16-18 x 3" Hex Head Machine Bolt



MAN5406

JO 08/16/00

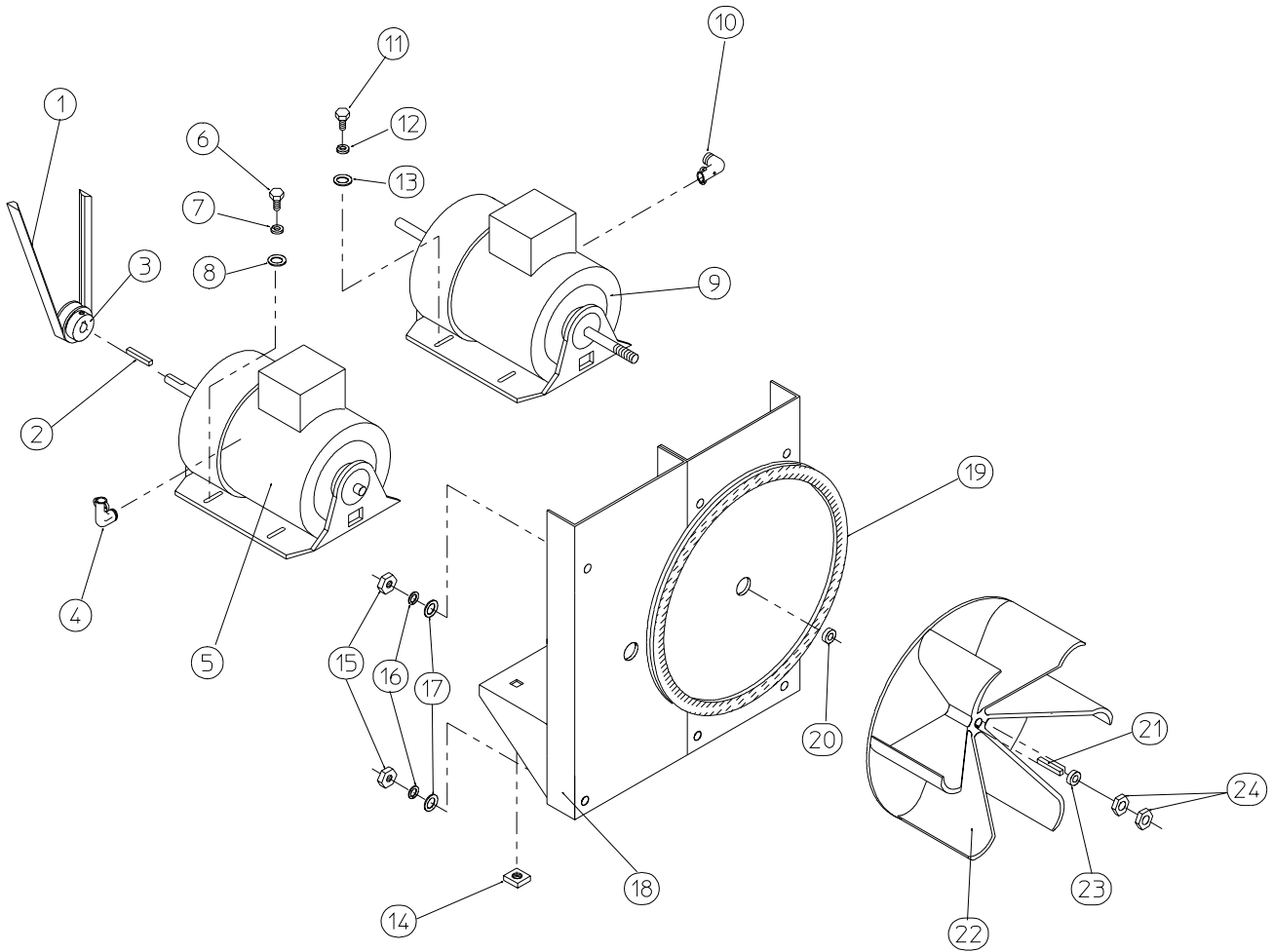
<u>Illus. No.</u>	<u>Part No.</u>	<u>Qty.</u>	<u>Description</u>
1	880220	1	1-3/8" Flange Bearing
2	153005	4	3/8" Lock Washer
3	152005	4	3/8-16 Hex Nut
4	882544	1	Pillow Block Bearing Assembly Complete (includes illus. nos. 4 through 14 and 20)
	882545	1	Bearing Assembly Complete with Rotational Sensor (includes illus. nos. 4 through 16 and 20)
	882542	1	Bearing Support ONLY
	882543	1	Bearing Support ONLY (with rotational sensor)
5	880202	1	1-3/8" Pillow Block Bearing ONLY
	880779	1	1-3/8" Pillow Block Bearing Assembly (with rotational sensor)
6	150601	2	3/8-16 x 2" Hex Bolt
7	153004	8	3/8" Flat Washer
8	153005	2	3/8" Lock Washer
9	152005	2	3/8-16 Hex Nut
10	154326	2	5/16-24 x 3/8" Setscrew (black)
11	152004	4	5/16-18 Hex Nut
12	150621	2	5/16-18 x 1-1/2" Tap Bolt
13	153002	4	5/16" Lock Washer
14	150501	4	5/16-18 x 3/4" Tap Bolt
15	102120	1	Sintered 8 Magnet
	401010	1	#847 Construction Mastic
16	824807	1	Rotational Sensor Assembly
17	100713	1	1/4" x 1/4" x 7/8" Key
18	101100	1	18" Pulley
19	100106	1	5L-690 V-Belt
20	150610	2	5/16-18 x 1-1/2" Allen Setscrew



<u>Illus. No.</u>	<u>Part No.</u>	<u>Qty.</u>	<u>Description</u>
1	100117	1	4L-620 V-Belt (motor to idler)
2	100701	1	3/16" x 3/16" x 1" Key
3	101133	1	5/8" x 2-1/4" Motor Pulley (for 60 Hz models Only)
	101130	1	5/8" x 2-1/2" Motor Pulley (for 50 Hz models Only)
4	150501	4	5/16-18 x 3/4" Hex Head Machine Bolt
5	153002	4	5/16" Lock Washer
6	153001	4	5/16" Flat Washer
7	100069*	1	3/4 HP 120/208/230v 1 ϕ Totally Enclosed, Fan-Cooled (T.E.F.C.) Motor with Plug (56Z frame) for 60 Hz Models ONLY
	181016	1	3/4 HP 230v 1 ϕ (with 3/4" shaft) Totally Enclosed, Fan-Cooled (T.E.F.C.) Motor with Plug (56Z frame) for 50 Hz Models ONLY
8	122701	8	Socket Terminal ONLY
	122801	1	Pin/Socket Extraction Tool
9	137030	1	8-Pin Housing Connector
10	152004	4	5/16-18 Hex Nut
11	153002	4	5/16" Lock Washer
12	153001	4	5/16" Flat Washer
13	117604	4	Neoprene Sponge Tape (sold by the foot)
14	154000	4	5/16-18 Tinnerman Nut
15	850018	1	Non-Reversing Motor Mount ONLY (56Z frame)
	804019*	1	3/4 HP 120/230v 1 ϕ Totally Enclosed, Fan-Cooled (T.E.F.C.) Motor Mount Assembly with Plug Complete for 60 Hz Models ONLY (includes illus. nos. 2 through 7 and 13 through 20)
	882492	**	3/4 HP 230v 1 ϕ Non-Reversing Totally Enclosed, Fan-Cooled (T.E.F.C.) Motor Mount Assembly Complete for 50 Hz Models ONLY (includes illus. nos. 2 through 6 and 13 through 22)
16	153051	1	3/4" S.A.E. Flat Washer
17	100603	1	16" Impellor with 3/4" Bore (for 50 Hz models Only)
18	100714	1	3/16" x 3/16" x 1-7/8" Key
19	153050	2	1/2" S.A.E. Flat Washer
20	152006	2	1/2-20 Left Hand Jam Nut
21	120200	1	3/8" x 90° Connector
22	100007	1	1/2 HP 208/460v 50/60 Hz Motor (for 3-phase [3 ϕ] models Only)

* Specify voltage when ordering.

** Contact factory for information.



MAN0250

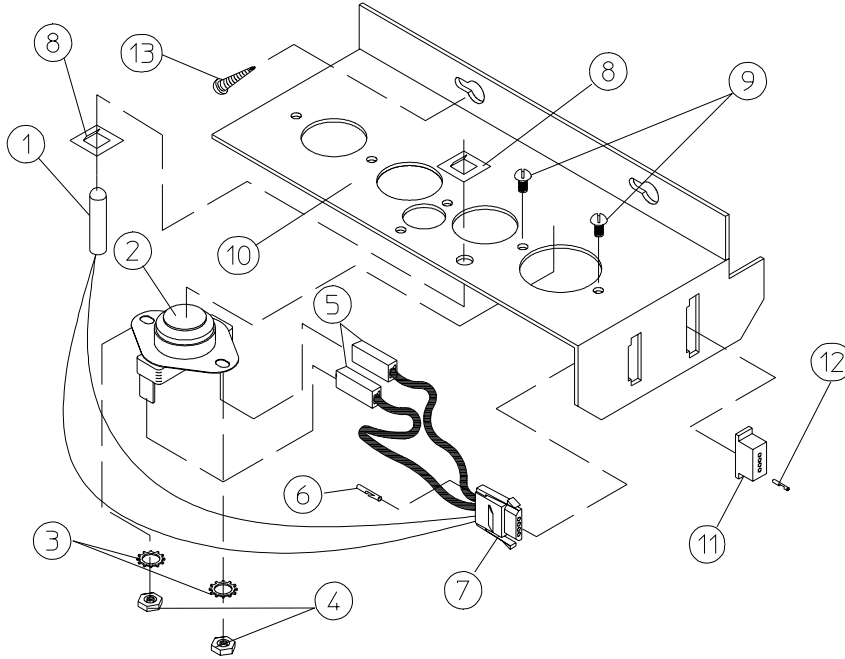
<u>Illus. No.</u>	<u>Part No.</u>	<u>Qty.</u>	<u>Description</u>
1	100114	1	4L-630 V-Belt (to idler assembly)
2	100701	1	3/16" x 3/16" x 1" Key
3	101130	1	5/8" x 2-1/2" Motor Pulley (for 60 Hz models Only)
	101139	1	5/8" x 2-3/4" Motor Pulley (for 50 Hz models Only)
4	120200	1	3/8" x 90° Connector
5	181003	1	1/2 HP 208/230/380/460v 3ø 50/60 Hz Totally Enclosed, Fan-Cooled (T.E.F.C.) Motor (56Z frame)
6	150501	4	5/16-18 x 3/4" Hex Head Machine Bolt
7	153002	4	5/16" Lock Washer
8	153001	4	5/16" Flat Washer
9	100007*	1	1/2 HP 220/230/380/460v 3ø 50/60 Hz Totally Enclosed, Fan-Cooled (T.E.F.C.) Motor (56Z frame)
10	120200	1	3/8" x 90° Connector
11	150501	4	5/16-18 x 3/4" Hex Head Machine Bolt
12	153002	4	5/16" Lock Washer
13	153001	4	5/16" Flat Washer
14	154000	8	5/16" Tinnerman Nut
15	152004	7	5/16" Hex Nut
16	153002	7	5/16" Lock Washer
17	153001	7	5/16" Flat Washer
18	850021	1	Reversing Motor Mount ONLY (56Z frame)
	804026**	1	60 Hz Reversing Totally Enclosed, Fan-Cooled (T.E.F.C.) Motor Mount Assembly Complete (includes illus. nos. 2 through 14 and 18 through 24)
	-----	***	50 Hz Reversing Totally Enclosed, Fan-Cooled (T.E.F.C.) Motor Mount Assembly Complete (includes illus. nos. 2 through 14 and 18 through 24)
19	117604	4	Neoprene Sponge Tape (sold by the foot)
20	153051	1	3/4" S.A.E. Flat Washer
21	100714	1	3/16" x 3/16" x 1-7/8" Key
22	100604	1	12-1/2" Impellor
23	153050	****	1/2" S.A.E. Flat Washer
24	152006	2	1/2-20 Left Hand Jam Nut

* Check part number on motor data label to verify correct motor.

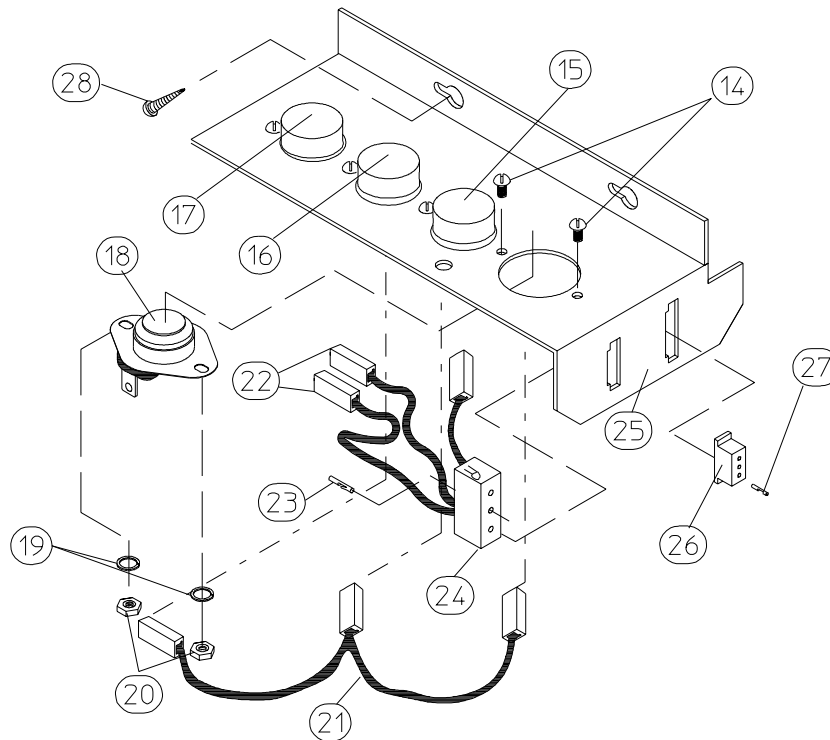
** Specify voltage when ordering.

*** Contact factory for information.

**** As required.



MICROPROCESSOR SENSOR BRACKET ASSEMBLY



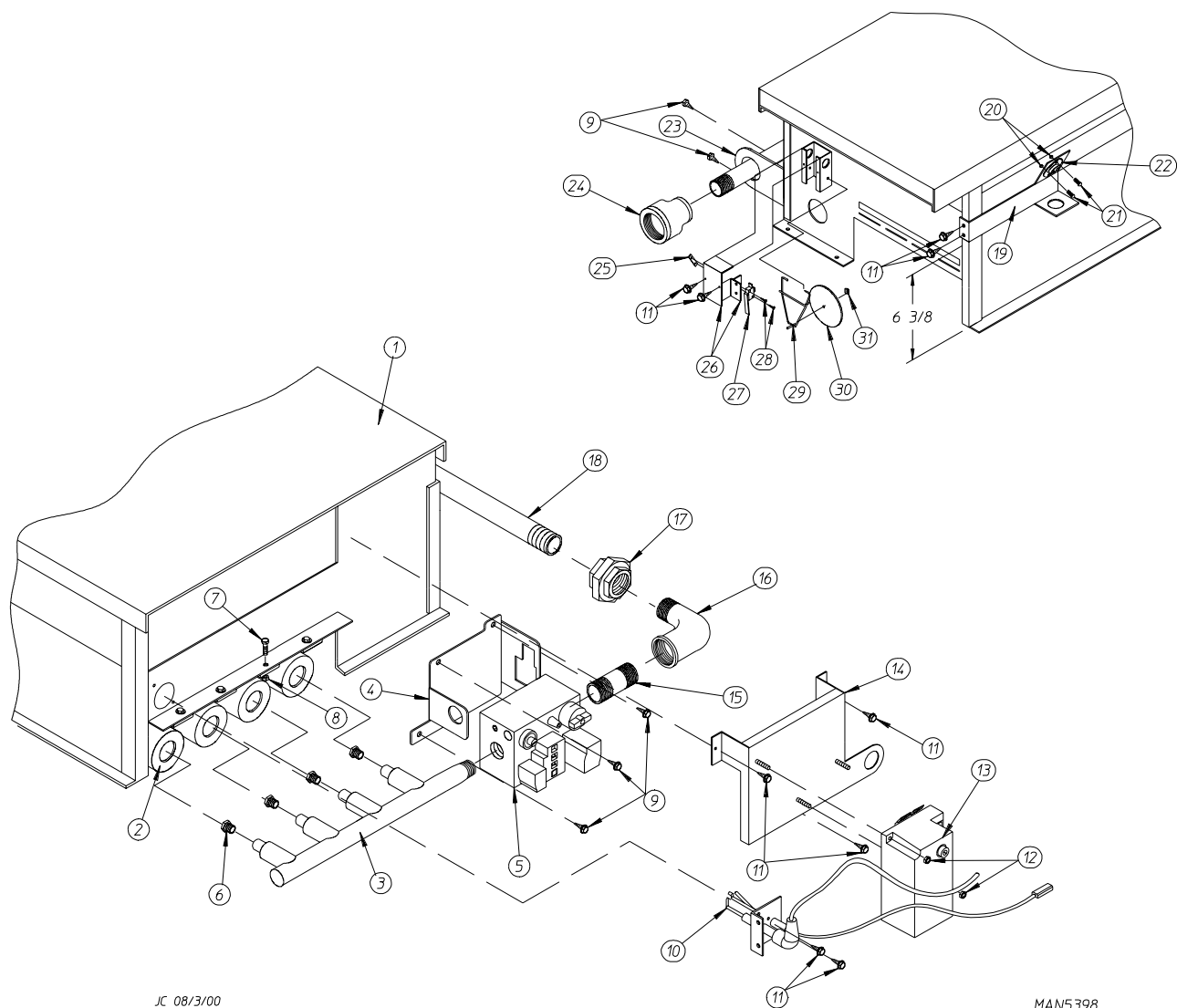
NON-COMPUTER SENSOR BRACKET ASSEMBLY

MAN0238

<u>Illus. No.</u>	<u>Part No.</u>	<u>Qty.</u>	<u>Description</u>
1	880251	1	1/4" Temperature Sensor Probe Assembly (includes illus. nos. 1 and 5 through 8)
2	130103	1	225° F Manual Reset Thermostat
3	153010	2	#6 Star Washer
4	152000	2	#6-32 Hex Nut
5	121028	2	Insulated Terminal ONLY
6	122701	4	Socket Terminal ONLY
	112801	1	Pin/Socket Extraction Tool
7	122605	1	4-Pin Socket Connector ONLY
8	154007	2	1/4" Tinnerman Push On Fastener
9	150005	2	#6-32 x 1/4" Round Head Machine Screw
10	801425	1	Microprocessor Sensor Bracket Assembly Complete (includes illus. nos. 1 through 10)
	305007	1	Universal Sensor Bracket ONLY
11	122604	1	4-Pin Connector ONLY
12	122700	4	Pin Terminal ONLY
13	150301	2	#8-18 x 7/16" Phillips Pan Head TEK Screw
14	150005	*	#6-32 x 1/4" Phillips Round Head Machine Screw
15	130111	1	130° F Thermostat
16	130100	1	150° F Thermostat
17	130301	1	225° Manual Reset Thermostat
18	130101	1	180° F Thermostat
19	153010	*	#6 Star Washer
20	152000	*	#6-32 Hex Nut
21	840065	1	Sensor Jumper ONLY
22	121028	*	Insulated Terminal ONLY
23	122701	*	Socket Terminal ONLY
24	122605	1	4-Pin Socket Connector ONLY
	840062	1	Sensor Bracket Harness Assembly (includes illus. nos. 22 through 24)
25	801418	1	Non-Computer Sensor Bracket Assembly Complete (includes thermostats) (includes illus. nos. 14 through 25)
	305007	1	Universal Sensor Bracket ONLY
26	122604		4-Pin Connector ONLY
27	122700	*	Pin Terminal ONLY
	122801	1	Pin/Socket Extraction Tool
28	150301	2	#8-18 x 7/16" Phillips Pan Head TEK Screw

* As required.

For Models Mfd. as of April 15, 2000



JC 08/3/00

MAN5398

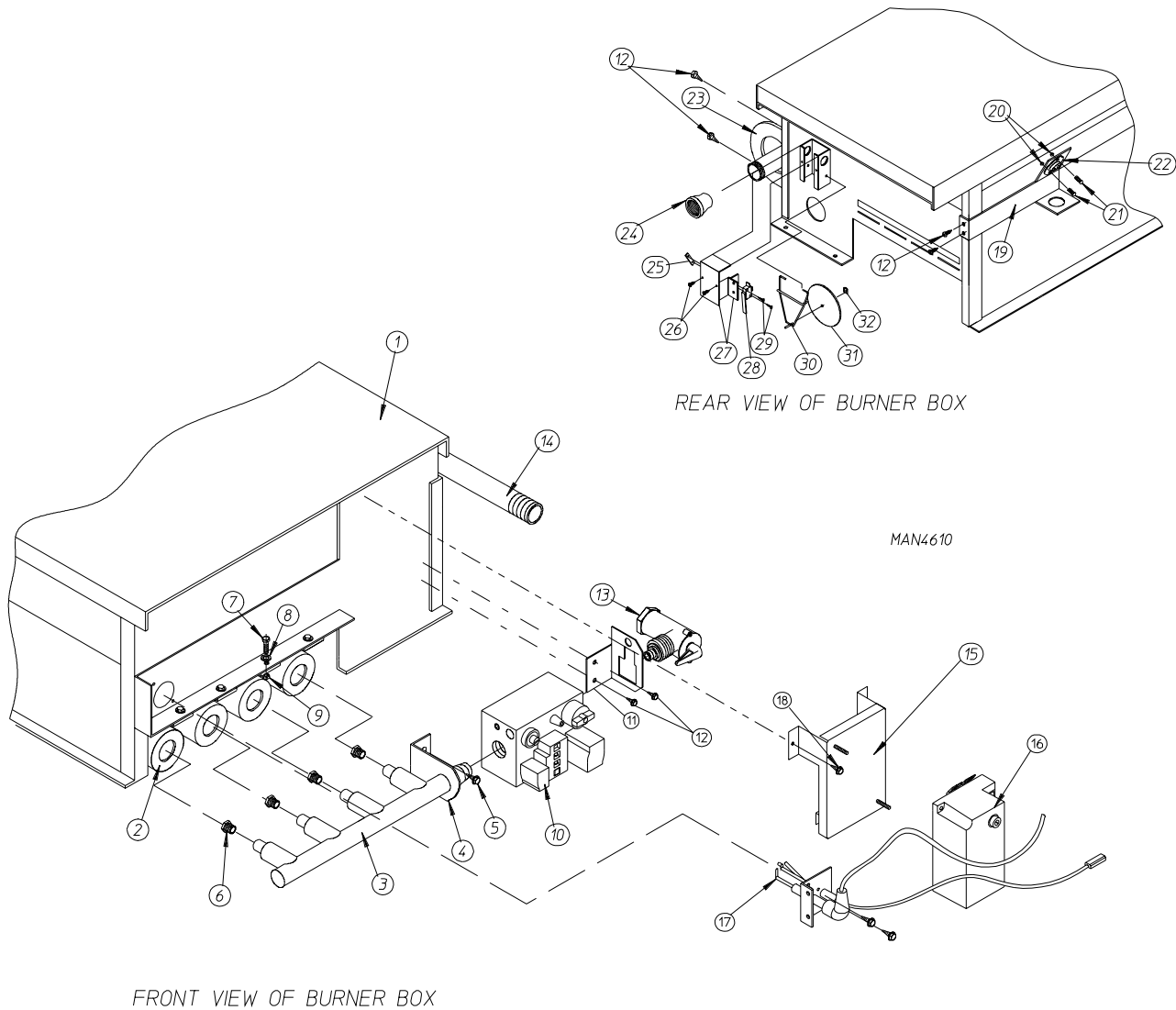
<u>Illus. No.</u>	<u>Part No.</u>	<u>Qty.</u>	<u>Description</u>
1*	882898	1	Natural Gas Burner Assembly Complete For Models Mfd. with Natural Gas ONLY (includes illus. nos. 1 through 31)
	882899	1	Liquid Propane (L.P.) Gas Burner Assembly Complete For Models Mfd. with Liquid Propane (L.P.) Gas ONLY (includes illus. nos. 1 through 31)
	814832	1	Burner Box ONLY
2	141105	4	Large Burner Tube
3	141210	1	3/4" Direct Spark Ignition (DSI) Manifold (4-port)
4	318714	1	Bracket for Horizontal Facing Gas Valve

For Models Mfd. as of April 15, 2000

<u>Illus. No.</u>	<u>Part No.</u>	<u>Qty.</u>	<u>Description</u>
5	128927	1	1/2" 24 VAC Redundant (natural gas) Gas Valve
	880960	1	1/2" 24 VAC Direct Spark Ignition (DSI) Liquid Propane (L.P.) Gas Valve Assembly
	882230*	1	ADG-758 Direct Spark Ignition (DSI) Liquid Propane (L.P.) Conversion Kit
6	140819*	4	#30 Burner Orifice (natural gas)
	140803*	4	#49 Burner Orifice (liquid propane [L.P.] gas)
7	150103	4	#8-32 x 1/2" Pan Head Machine Screw
8	151001	4	#8-32 Pal Nut
9	150300	5	#10-16 x 1/2" Hex Washer TEK Screw
10	809309	1	Ignitor Probe Assembly with 19" Leads
11	150309	9	#10-16 x 1/2" Hex Head TEK Crimptite Screw
12	152013	2	#6-32 Hex Nut
13	128935	1	Direct Spark Ignition (DSI) Module with 3 Tries
14	817027	1	Johnson Controls Direct Spark Ignition (DSI) Module Mounting Bracket
15	142707	4	1/2" x 1-1/2" Long Black Nipple
16	142506	1	1/2" Street Elbow
17	142600	1	1/2" Black Union
18	142809	1	1/2" x 29-1/8" Nipple
19	319704	1	Hi-Limit Mounting Bracket
20	151000	2	#6-32 Pal Nut
21	150001	2	#6-32 x 1/2" Phillips Round Head Machine Screw
22	130201	1	330° Hi-Limit Manual Reset
23	318700	1	Pipe Bracket (bent)
24	143000	1	3/4" to 1/2" Reducing Coupling
25	154004	1	Twin Speed Nut
26	802799	1	Sail Switch Box Cover and Bracket ONLY
27	122200	1	Sail Switch ONLY
28	150303	2	#4 x 3/4" Pan Head "A" Machine Screw
29	105500	1	Sail Switch Actuator Rod
30	319202	1	Sail Switch Damper (flat)
31	154002	1	1/8" Push On Fastener
**	882772	1	Steam to Gas Interface Plate...Not Illustrated

* Consult factory for elevations over 2,000 feet.

** Needed when converting from steam to gas heat.



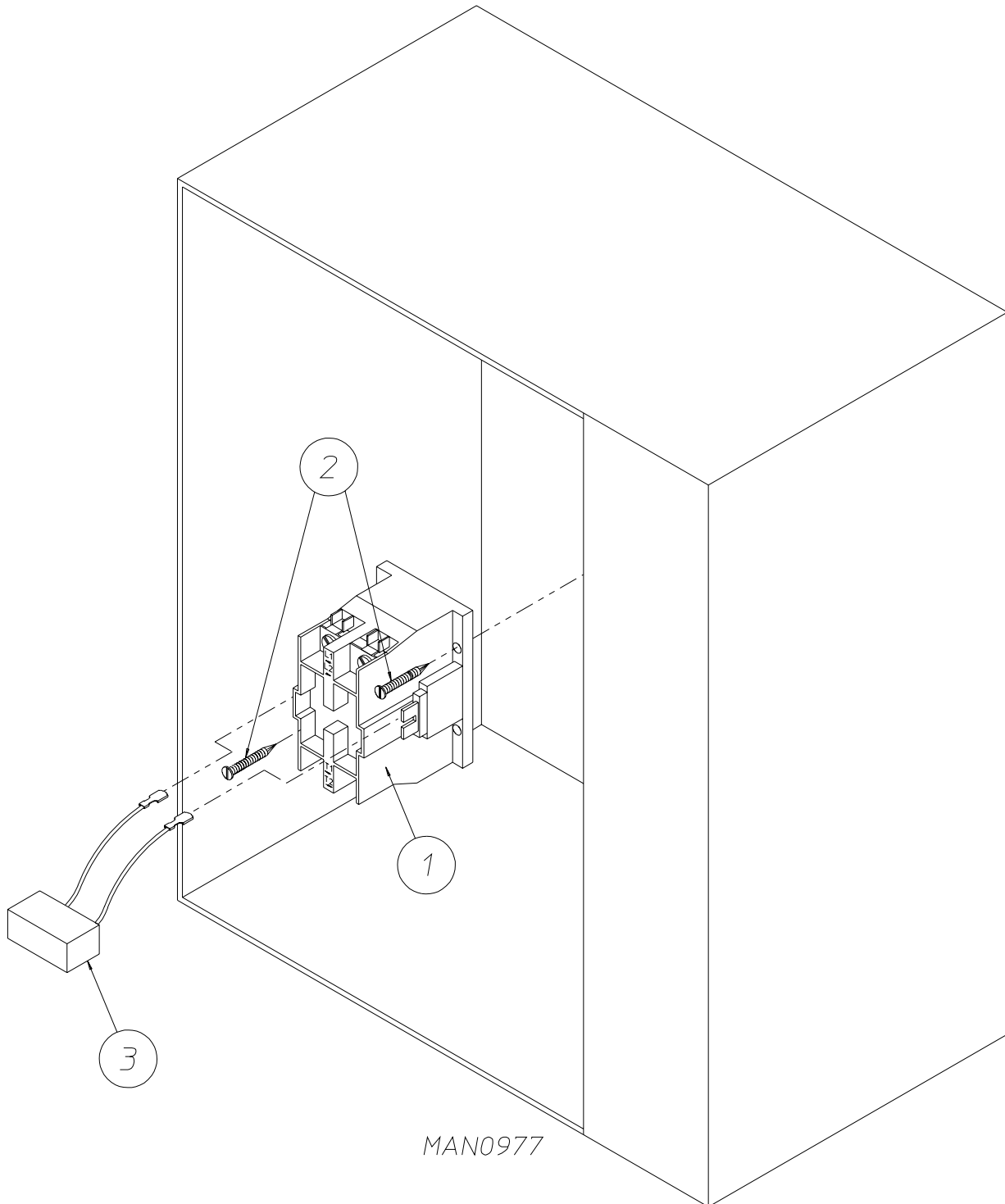
Illus. No.	Part No.	Qty.	Description
1	882483*	1	Natural Gas Burner Assembly Complete Less Orifices For Models Mfd. with Natural Gas ONLY (includes illus. nos. 1 through 5 and 7 through 32)
	882484*	1	Liquid Propane (L.P.) Gas Burner Assembly Complete Less Orifices For Models Mfd. with Liquid Propane (L.P.) Gas ONLY (includes illus. nos. 1 through 5 and 7 through 32)
	814832	1	Burner Box ONLY
	882230**	1	ADG-758 Direct Spark Ignition (DSI) Liquid Propane (L.P.) Conversion Kit
2	141105	4	Large Burner Tube
3	141210	1	4-Port Manifold
4	323737	1	Pipe Bracket

For Models Mfd. prior to April 15, 2000

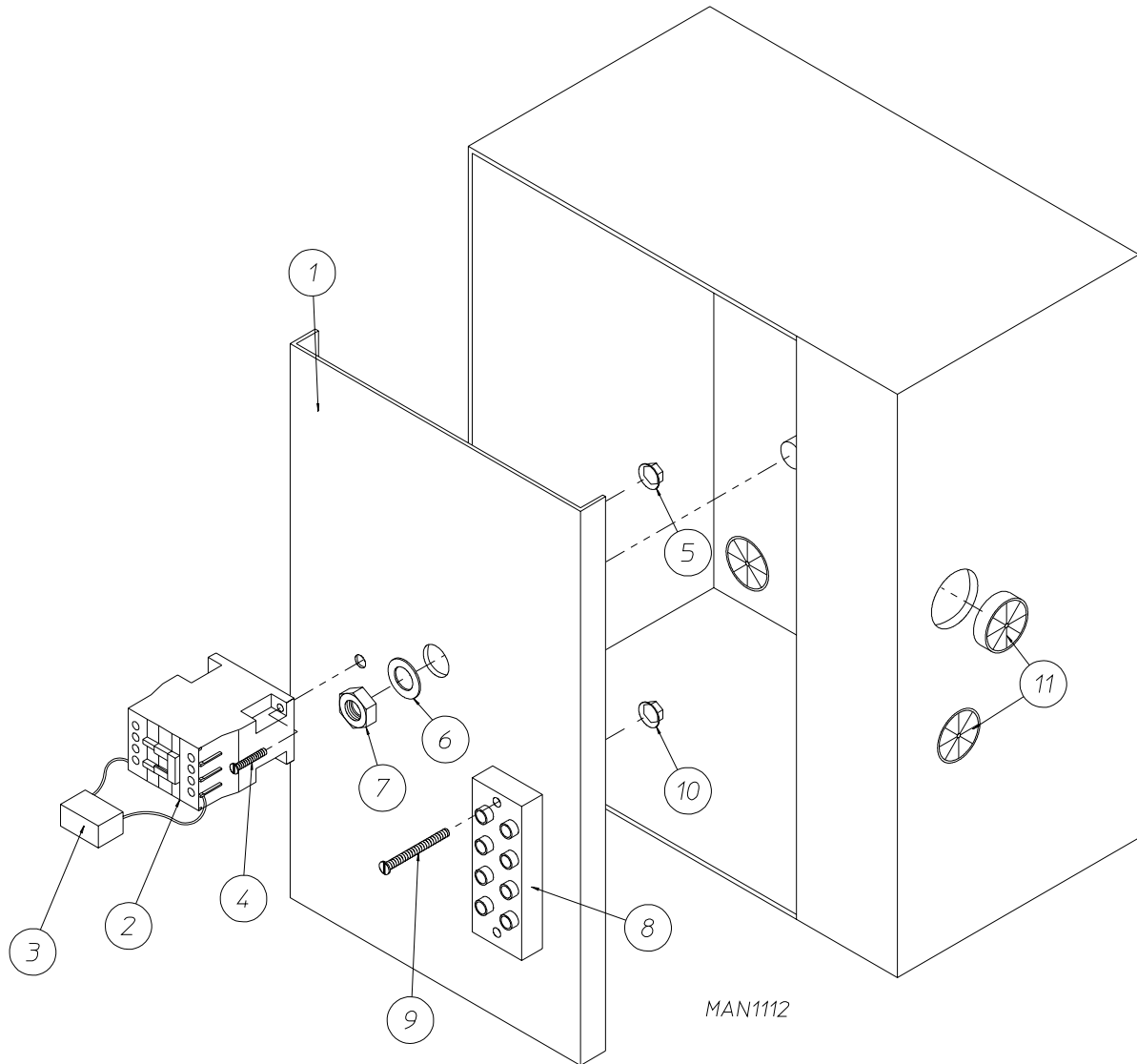
<u>Illus. No.</u>	<u>Part No.</u>	<u>Qty.</u>	<u>Description</u>
5	150300	2	#10-16 x 1/2" Hex Washer TEK Screw
6	140819**	4	#30 Burner Orifice (natural gas)
	140803**	4	#49 Burner Orifice (liquid propane [L.P.] gas)
7	150103	4	#8-32 x 1/2" Phillips Round Head Machine Screw
8	153000	4	#8 Steel Burr
9	151001	4	#8-32 Pal Nut
10	128927	1	1/2" 24 VAC Redundant (natural gas) Gas Valve
	880960	1	1/2" 24 VAC Liquid Propane (L.P.) Gas Valve Assembly
	140411	1	24 VAC Gas Valve Liquid Propane (L.P.) Conversion Kit
11	318712	1	Pipe Bracket
12	150309	7	#10-16 x 1/2" Hex Head TEK Crimptite Screw
13	881367	1	1/2" Union Shutoff with Tail Piece
14	142809	1	1/2" x 29-1/8" Nipple
15	810030	1	Direct Spark Ignition (DSI) Module Mounting Bracket
16	128935	1	Direct Spark Ignition (DSI) Module with 3 Tries
17	809309	1	Ignitor Assembly with High Voltage (HV) Wire
18	150309	3	#10-16 x 1/2" Hex Head TEK Crimptite Screw
19	319704	1	Hi-Limit Mounting Bracket
20	151001	2	#8-32 Pal Nut
21	150001	2	#6-32 x 1/2" Phillips Round Head Machine Screw
22	130201	1	330° F Manual Reset Hi-Limit
23	318700	1	Pipe Bracket
24	143000	1	3/4" to 1/2" Reducing Coupling
25	154004	1	Twin Speed Nut
26	150309	2	#10-16 x 1/2" Hex Head TEK Crimptite Screw
27	802799	1	Sail Switch Cover and Bracket
28	122200	1	Sail Switch ONLY
	881706	1	Sail Switch Box Assembly Complete (includes illus. nos. 26 through 32)
29	150303	2	#4 x 3/4" Pan Head "A" Machine Screw
30	105500	1	Sail Switch Actuator Rod
31	319202	1	Sail Switch Damper (flat)
32	154002	1	1/8" Push On Fastener

* Burner orifices *are not included* and **must be** ordered separately.

** Consult factory for elevations over 2,000 feet.

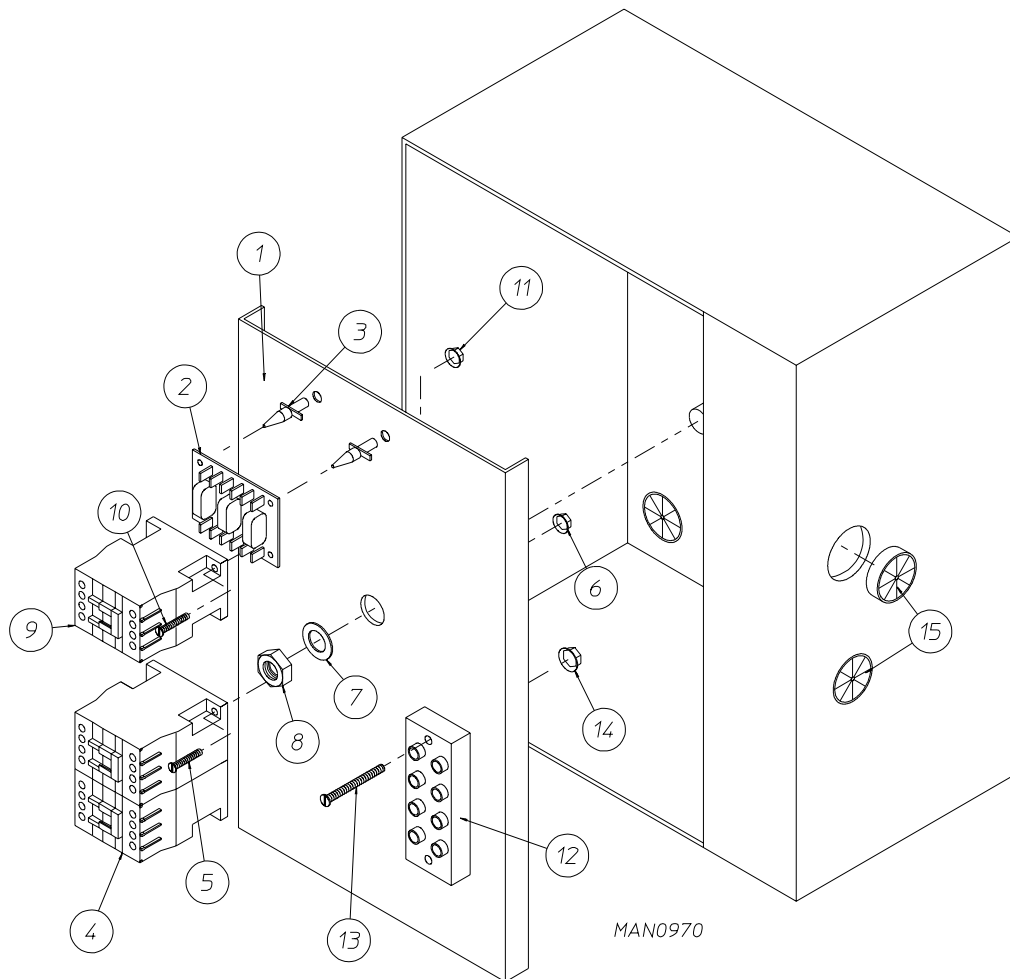


<u>Illus. No.</u>	<u>Part No.</u>	<u>Qty.</u>	<u>Description</u>
1	132475	1	2-Pole Contactor - 24 VAC
2	150299	2	#10 x 1" Hex Washer TEK Screw
3	824828	1	RC Network with Connectors (for microprocessor controller [computer] models Only)
-	322809	1	Back Electrical Box Cover...Not Illustrated
-	150301	4	#8-18 x 7/16" Phillips Pan Head TEK Screw...Not Illustrated

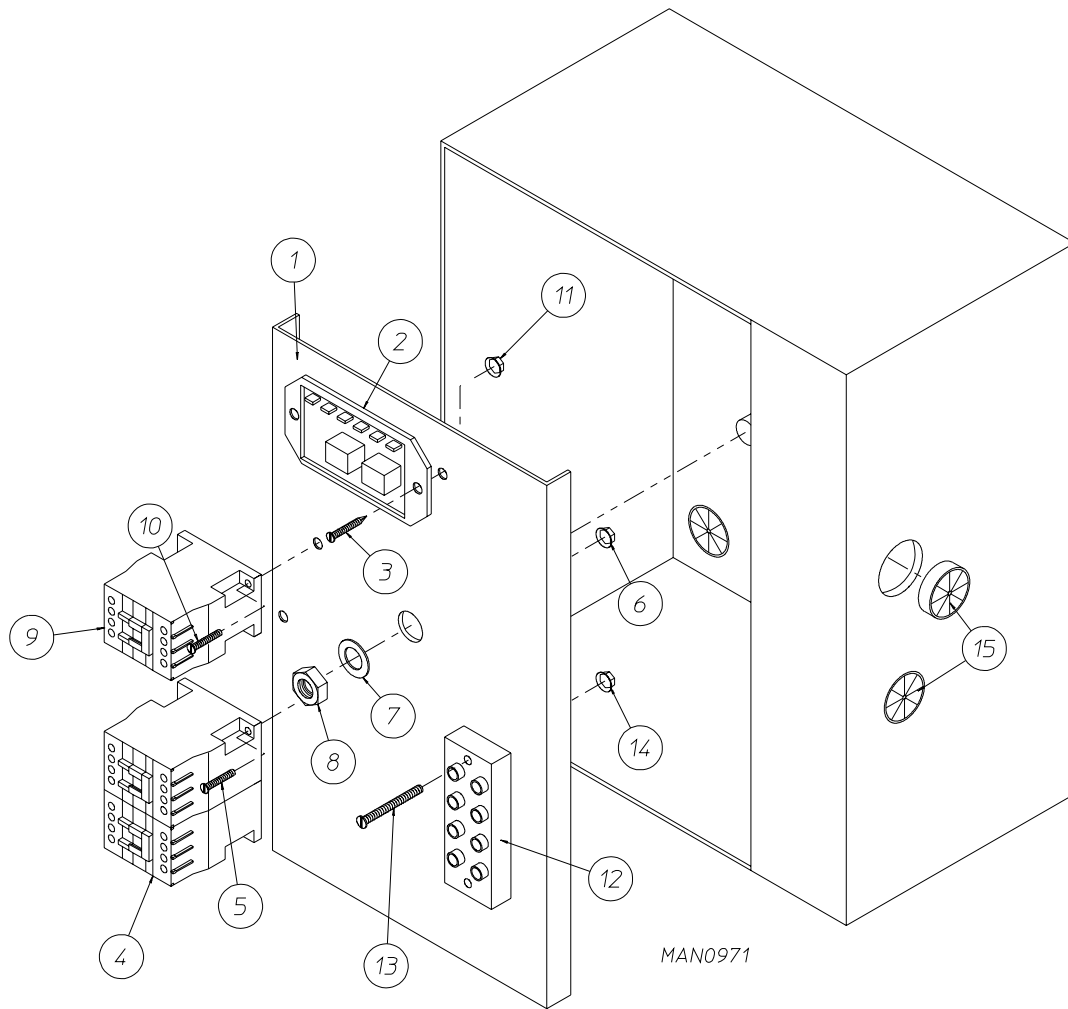


MAN1112

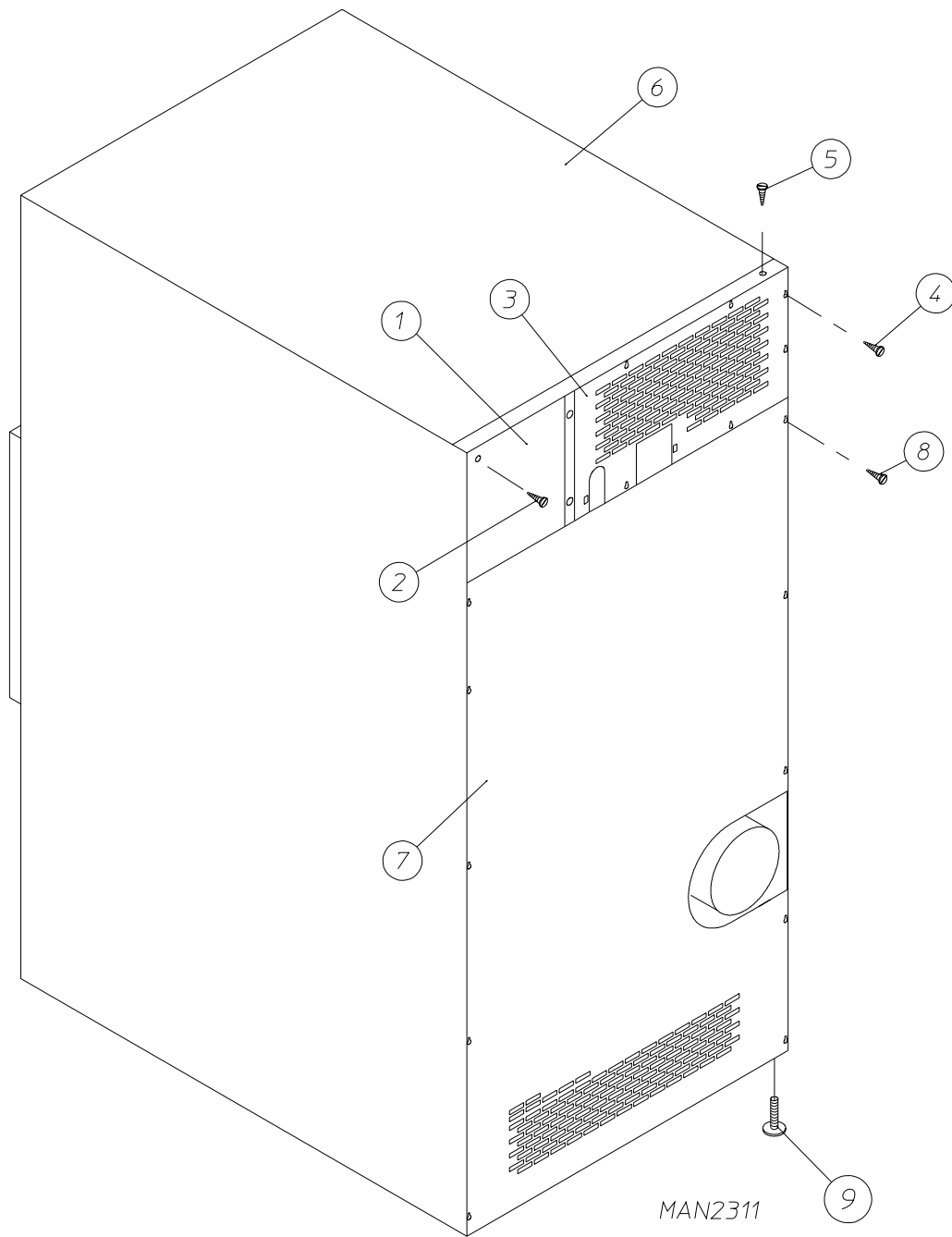
Illus. No.	Part No.	Qty.	Description
1	322812	1	Back Electrical Box Component Plate
2	132430	1	Impellor Contactor (208/230/240v, 50/60 Hz) 24 VAC
3	137015	1	RC Network (for microprocessor controller [computer] models Only)
4	150103	2	#8-32 x 3/4" Phillips Round Head Machine Screw
5	151001	2	#8-32 Pal Nut
6	153002	1	5/16" Lock Washer
7	152004	1	5/16-18 Hex Nut
8	120701	1	4-Position Terminal Block
9	150008	2	#6-32 x 1-1/4" Slotted Round Head Machine Screw
10	151000	2	#6-32 Pal Nut
11	121300	3	Open/Closed Bushing
---	322809	1	Back Electrical Box Cover...Not Illustrated
---	150301	4	#8-18 x 7/16" Phillips Pan Head TEK Screw...Not Illustrated
---	-----	1	Transformer (refer to Step Down Transformer Usage Listing on page 40)



<u>Illus. No.</u>	<u>Part No.</u>	<u>Qty.</u>	<u>Description</u>
1	322812	1	Back Electrical Box Component Plate
2	137060	1	Arc Suppressor (A.S.) Board
3	137013	4	Nylon Standoff
4	882386	1	Reversing Contactor (208/230/240v, 50/60 Hz) 24 VAC
5	150103	2	#8-32 x 3/4" Phillips Round Head Machine Screw
6	151001	2	#8-32 Pal Nut
7	153002	1	5/16" Lock Washer
8	152004	1	5/16-18 Hex Nut
9	132430	1	Impellor Contactor (208/230/240v, 50/60 Hz) 24 VAC
10	150103	2	#8-32 x 3/4" Phillips Round Head Machine Screw
11	151001	2	#8-32 Pal Nut
12	120701	1	4-Position Terminal Block
13	150008	2	#6-32 x 1-1/4" Slotted Round Head Machine Screw
14	151000	2	#6-32 Pal Nut
15	121300	3	Open/Closed Bushing
---	322809	1	Back Electrical Box Cover...Not Illustrated
---	150301	4	#8-18 x 7/16" Phillips Round Head TEK Screw...Not Illustrated
---	-----	1	Transformer (refer to Step Down Transformer Usage Listing on page 40)



<u>Illus. No.</u>	<u>Part No.</u>	<u>Qty.</u>	<u>Description</u>
1	322812	1	Back Electrical Box Component Plate
2	132198	1	Reversing Timer (50/60 Hz) 24 VAC
3	150301	2	#8-18 x 7/16" Phillips Pan Head TEK Screw
4	882386	1	Reversing Contactor (208/230/240v, 50/60 Hz) 24 VAC
5	150103	2	#8-32 x 3/4" Phillips Round Head Machine Screw
6	151001	2	#8-32 Pal Nut
7	153002	1	5/16" Lock Washer
8	152004	1	5/16-18 Hex Nut
9	132430	1	Impellor Contactor (208/230/240v, 50/60 Hz) 24 VAC
10	150103	2	#8-32 x 3/4" Phillips Round Head Machine Screw
11	151001	2	#8-32 Pal Nut
12	120701	1	4-Position Terminal Block
13	150008	2	#6-32 x 1-1/4" Slotted Round Head Machine Screw
14	151000	2	#6-32 Pal Nut
15	121300	3	Open/Closed Bushing
---	322809	1	Back Electrical Box Cover...Not Illustrated
---	150301	4	#8-18 x 7/16" Phillips Pan Head TEK Screw...Not Illustrated
---	-----	1	Transformer (refer to Step Down Transformer Usage Listing on page 40)



<u>Illus. No.</u>	<u>Part No.</u>	<u>Qty.</u>	<u>Description</u>
1	322809	1	Rear Electrical Box Cover
2	150301	5	#8-18 x 7/16" Phillips Pan Head TEK Screw
3	323738	1	Top Back Guard
4	150301	6	#8-18 x 7/16" Phillips Pan Head TEK Screw
5	150301	8	#8-18 x 7/16" Phillips Pan Head TEK Screw
6	312527	1	Outer Top Guard
7	314514	1	Lower Back Guard
8	150301	10	#8-18 x 7/16" Phillips Pan Head TEK Screw
9	103500	4	Leveling Leg

NOTE: Coin acceptors listed include optical switch (ADC Part No. 137056 Greenwald).
Coin acceptors listed include optical switch (ADC Part No. 881143 Hanke).

Single Coin*

<u>ADC Part No.</u>	<u>Nation</u>	<u>Description</u>
882689	United States	25¢ Hanke Optic Coin Acceptor (for models mfd. as of July 26, 2000)
125100	U.S. and Canada	25¢ Greenwald Optic Coin Acceptor (for models mfd. prior to July 26, 2000)
125107	Australia	20¢ Greenwald Australian Optic Coin Acceptor
881768	Australia	\$1 Hanke Australian Optic Coin Acceptor
881604	Japan	100 Yen Hanke Optic Coin Acceptor
125103	---	0.882 Greenwald Token Optic Coin Acceptor
125121	---	0.800 Greenwald Token Optic Coin Acceptor
125133	Hong Kong	\$1 Hong Kong Optic Coin Acceptor

Dual Coin*

<u>ADC Part No.</u>	<u>Nation</u>	<u>Description</u>
881508	U.S. and Canada	10¢/25¢ Hanke Dual Optic Coin Acceptor
881842	Canada	25¢/\$1 Hanke Dual Optic Coin Acceptor
881542	United Kingdom	1£/20 Pence Hanke Dual Optic Coin Acceptor
881846	France	2/5 French Franc Hanke Dual Optic Coin Acceptor
881541	Netherlands	25¢/1 Hanke Guilder Dual Optic Coin Acceptor

* Consult factory for coin acceptors not listed.

STEP DOWN TRANSFORMER USAGE LISTING			
Heat	Voltage	Wire Service	Transformer Part No.
GAS	380	3	132059
	380	4	132059
	416	3	132062
	416	4	132062
	460/480	3	132053
	460/480	4	132053
	575	3	132050

<u>Part No.</u>	<u>Description</u>
112039	“Black/White/Green Ground” Label
112280	“ Clean Lint Screen” Label
112534	“Phase 5 OPL Program Location Summary” Label
114001	“CAUTION - Exhaust/Lint Screen” Label
114006	“WARNING - Fire Hazards” Label
114095	“MOP HEAD WARNING” Label
117505	Aluminum Duct Tape (sold by the foot)
120100	3/8” Straight (BX) Connector
120300	3/8” x 45° (BX) Connector
120400	3/8” Red Jacket (BX) Insulator
120500	3/8” Jiffy Clip (BX retainer clip)
120600	3/8” Greenfield (BX)
120800	1/4” In-Line Connector
120802	Red Butt Connector
120902	#74B Wire Nut
120903	Crimp-On Wire Nut
121014	1/4” Insulated (female) Terminal
121499	5-1/2” Harness Tie
121500	8” Harness Tie
121503	Harness Tie Mounting Clip
122804	Manometer (hydro gauge) for Measuring Gas Pressure
404500	Almond Brush-In-Cap Bottle Touch-Up Paint
404502	White Brush-In-Cap Bottle Touch-Up Paint
404506	Beige Brush-In-Cap Bottle Touch-Up Paint
404507	Cornflower Blue Brush-In-Cap Bottle Touch-Up Paint
410001	1/2” Allen Wrench (for removal of shutoff valve tail piece)
880884	Basket (tumbler) Bearing Puller

ADC450419

1 - 12/17/99-30

4 * 01/08/03-20

2 * 08/22/01-25

3 - 09/04/02-5



Free Manuals Download Website

<http://myh66.com>

<http://usermanuals.us>

<http://www.somanuals.com>

<http://www.4manuals.cc>

<http://www.manual-lib.com>

<http://www.404manual.com>

<http://www.luxmanual.com>

<http://aubethermostatmanual.com>

Golf course search by state

<http://golfingnear.com>

Email search by domain

<http://emailbydomain.com>

Auto manuals search

<http://auto.somanuals.com>

TV manuals search

<http://tv.somanuals.com>