

MASSEY FERGUSON

LAWN & GARDEN EQUIPMENT

PARTS MANUAL

2400 SERIES

8.5 HP Gear
Mfg. No. 1692489

13 HP Hydro
Mfg. No. 1692491

30" Mower Deck
Mfg. No. 1692172
Mfg. No. 1692544

34" Mower Deck
Mfg. No. 1692174
Mfg. No. 1692546



Product Identification:

When ordering parts, keep your products serial number and manufacturer's number in mind. Variations may occur in a part between early & later model products, causing the product serial number to be listed in the parts description whenever these variations occur.

Record your I.D. numbers here for quick, future reference.

Product Mfg. No. _____ S/N _____ Mower Mfg. No. _____ S/N _____

Attention:

Standard torques appear in a chart at the end of the manual, while important individual torques are given on specific parts drawings. CRITICAL and MAJOR notations point out important facts or instructions which relate to personal safety and proper machine operation. Any CRITICAL notation **C** which may appear in this book, pinpoints characteristics which, if not properly followed, can create a safety hazard. Any MAJOR notation **M** which may appear in this book, marks characteristics which, if not properly followed, may result in operating failure, shortened product life, or greatly reduced quality of the unit. For your convenience, assembly notes are included in parts drawings to assist in repair and assembly of unit.

SIMPLICITY BRAND PRODUCTS

OILS - SPECIFICALLY BLENDED OF HIGH QUALITY BASE OILS & ADDITIVES.

Special Worm Gear Oil: Required for protection of brass gears and mating parts.

- **Cold Weather Worm Gear Oil** for snowthrowers with worm gear drive. **8 Oz. Bottle, Part #1704636, Case of 12-8 Oz. Bottles, Part #1685406.**

Multi-Purpose Hydraulic/Transmission Oil for use in most hydraulic applications, and hydrostatic transmissions. Specific Simplicity applications: All hydrostatic transmissions, all bevel gear cases. **Case of 12 Quarts, Part #1685516, 2-1/2 Gallon Container, Part #1685539.**

SAE 5W-30 SF/CD Cold Weather Engine Oil for use in all four cycle and diesel engines at 30° temp. and under. **Case of 12 quarts, Part #1685576.**

SAE 15W-40 SF/CD Engine Oil for gas and diesel engines, warm weather; see engine manufacturer recommendations. **Case of 12 quarts, Part #1685554.**

SAE 30W SG/CC Detergent Engine Oil for use in four cycle lawn and garden engines at operating temp. of 32° and above. Also recommended for use in hydrostatic transmissions where 30W oil is specified. **Case of 12 quarts, Part #1685659.**

DEGREASER, DEGRIMER, PARTS CLEANER removes grease, oil, dirt and grime without harming paint or decals.

- 1 Quart w/Trigger Spray 1685619
- 1 Gallon Bottle 1685621
- Extension Sprayer for Gallon Bottle 1685623

TOUCH-UP PAINT keeps equipment in showroom condition.

Spray Cans	Quarts	Daubers-12 Per Ctn.
<i>For Products Built After 8/1/89.</i>		
"Deep Orange" 13 Oz. Can 1685611 Case 12 Cans 1685614	1685612	1685616 Mixed 6 Deep Or., 6 White 1/2 Oz. Bottles
"Gloss Black" 13 Oz. Can 1685639 Case 12 Cans 1685640	1685641	N/A
"White" 13 Oz. Can 103049 Case 12 Cans 1685178	1685032	See Above

Consult decal on equipment for proper color.

AVAILABLE ACCESSORIES:

DESIGNER SEAT COVERS are double stitched, easy care vinyl. Keeps new seats new, makes worn seats look new.

Small Seat Cover w/Pocket, Part #1685540. Fits all Rear Engine Riders, FC, RT Series Tractors.

Large Seat Cover w/Pocket, Part #1685541. Fits all 12.5 & 16 LT and GT Series Tractors.

Seat Cover, Part #1685577. Fits all 18 & 20 GTH Tractors.

PNEUMATIC TIRE SEAL seals all leaks including bead leaks and punctures up to 3/16 inch diameters. Prevents flats for tread life of tire. Available in following amounts.

- Case of 12 -11 Oz. Tubes 1685537
- Case of 24 -11 Oz. Tubes 1685525
- 5 Gallon Pail 1685527

HOURLY METER KIT, Part #1685535.

GREASE GUN KIT has 12" flexible hose to get into tight spots with ease. Kit contains: gun and 1-8 Oz. tube of grease. **Part #1685510.** For replacement tube, order **Part #103077.**

CHROME "Moon" Hubcaps

- 4" Rim 163114
- 6" Rim 156210
- 8" Rim 156211
- 10" Rim 1667782
- 12" Rim 154505

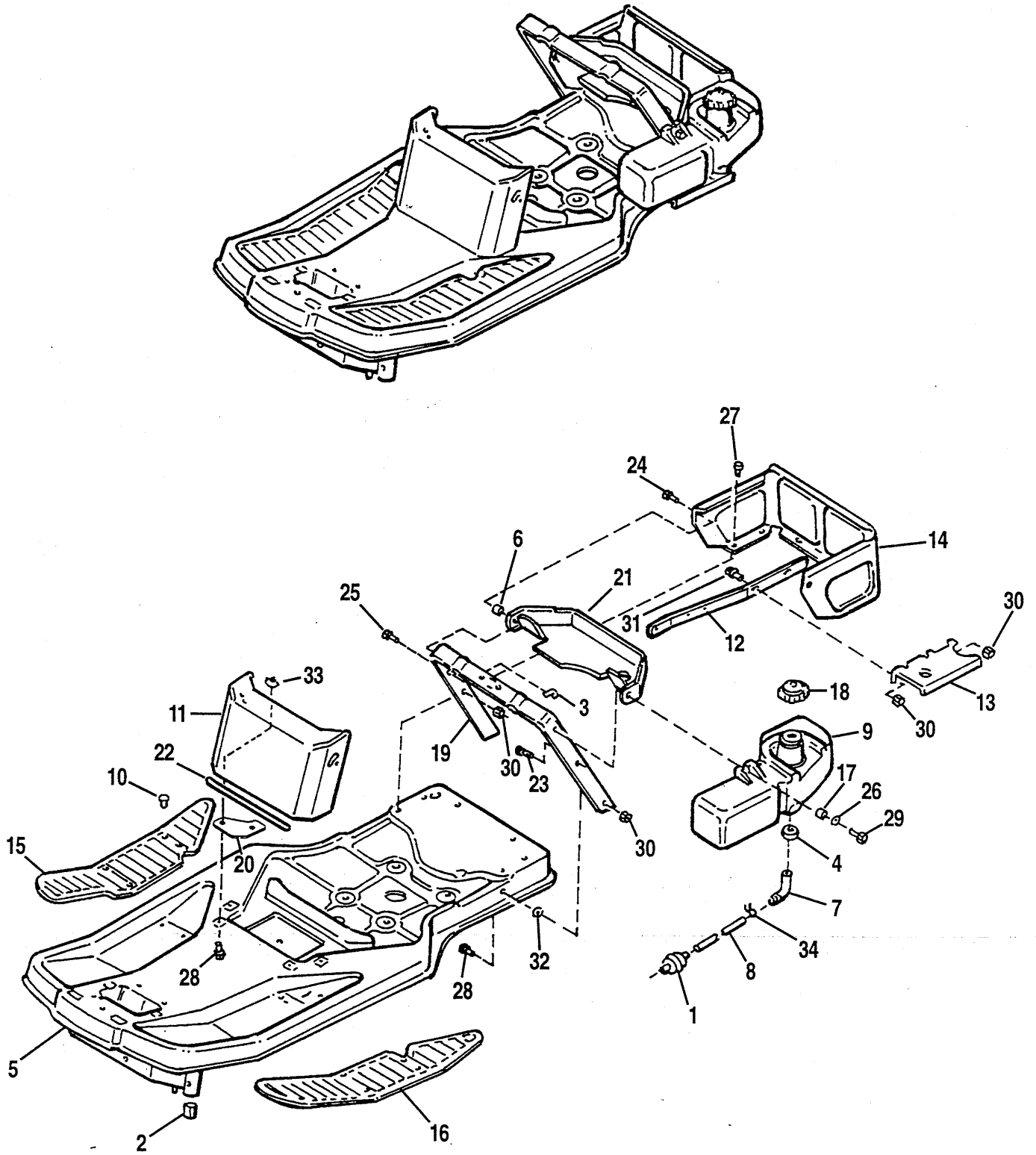
Extend Equipment Life - Use Only Genuine Simplicity Parts & Accessories Available at Your Local Simplicity Dealer

Table of Contents

FRAME & FUEL SYSTEM	
All models except 13 HP Hydro	2
13 HP Hydro Only	4
STEERING & LIFT	6
FRONT COLUMN & DASH	8
SEAT & DECK	10
ENGINE & ELECTRIC CLUTCH (PTO)	
8.5, 10 & 12 HP Briggs & Stratton	12
12 HP Tecumseh	14
13 HP Kohler	16
GEAR TRANSMISSION - Peerless Model 915-016B	
Transmission & Carrier	18
Controls	20
Service Parts	22
HYDRO TRANSMISSION - Hydro Gear Model 311-0500	
Transmission & Carrier	26
Controls	28
Service Parts	30
ELECTRICAL	32
FRONT WHEELS & TIRES	34
REAR WHEELS & TIRES	36
30" MOWER DECK	
Drive & Arbor - Mfg. Nos. 1692126 & 1692172	38
Drive & Arbor - Mfg. Nos. 1692543 & 1692544	40
Housing, Hitch & Height Adjustment	42
Deflector	44
34" MOWER DECK	
Drive & Arbor - Mfg. Nos. 1692128 & 1692174	46
Drive & Arbor - Mfg. Nos. 1692545 & 1692546	48
Housing, Hitch & Deflector	50
Height Adjustment	52
DECALS	
Simplicity	54
AGCO-Allis	56
Massey Ferguson	58
30" TWIN BAG GRASS CATCHER - Mfg. No. 1692149	
Adapter, Blade & Tube Group	60
Cover & Bag Group	64
Hitch Group	66
34" TWIN BAG GRASS CATCHER - Mfg. No. 1692150	
Adapter, Blades & Tube Group	62
Cover & Bag Group	64
Hitch Group	66
34" GRASS MULCHER - Mfg. No. 1692470	68
STANDARD HARDWARE TORQUE SPECIFICATIONS	69
PART NUMBER INDEX	A1

Frame & Fuel System

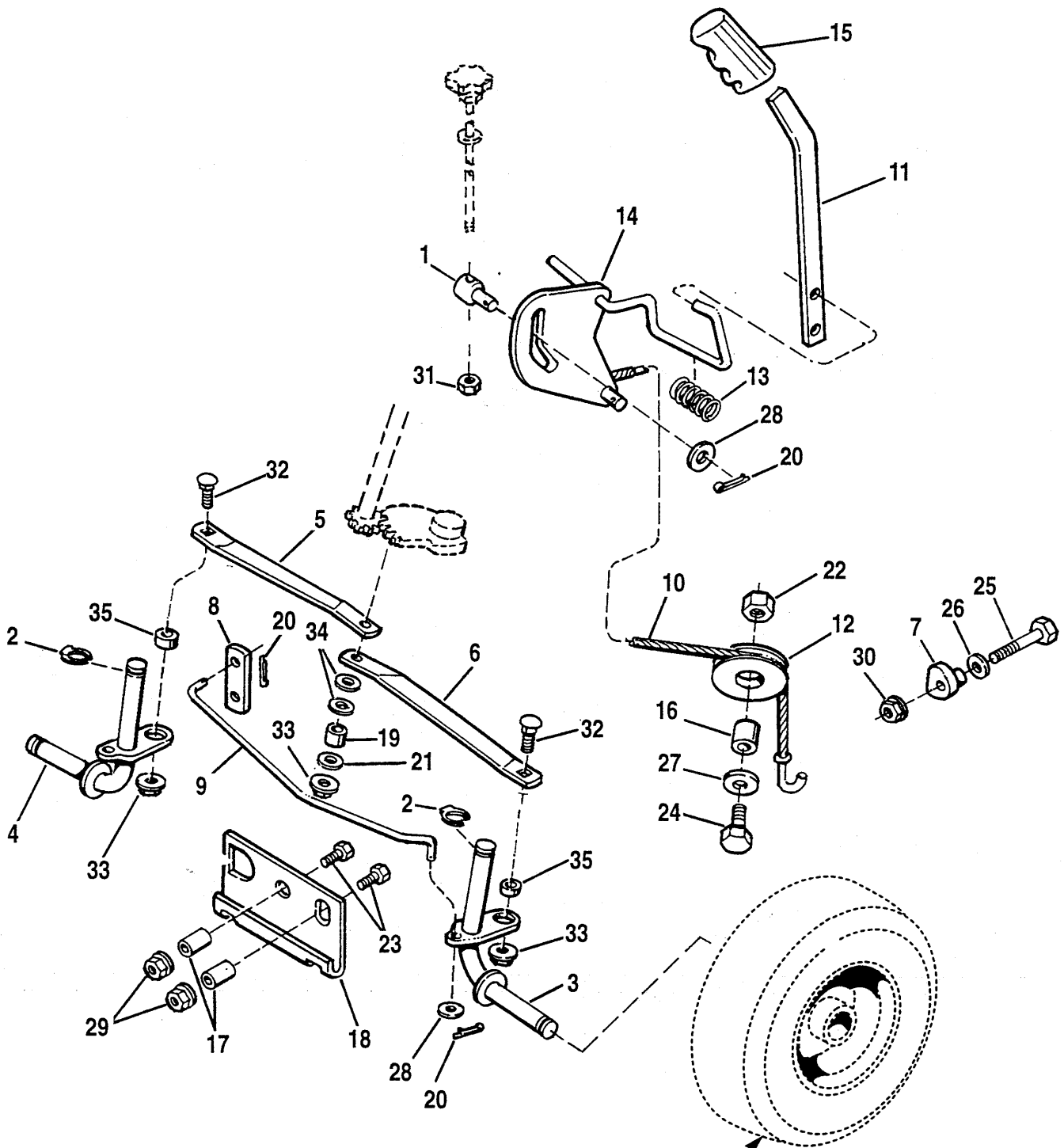
REF. NO.	PART NO.	QTY.	DESCRIPTION
1	173206	1	FUEL FILTER
2	176440	4	BUSHING
3	934683	1	CLIP
4	1654930	1	BUSHING, Rubber
5	1660007	1	FRAME ASSY. (Incl. Ref. No. 2)
6	1674231	1	ELBOW
7	1676861	1	HOSE, Fuel Tank
8	1685483	1	FUEL TANK (Incl. Ref. Nos. 1, 4, 6 & 30)
9	1704351	14	FASTENER
10	1708253	1	PANEL, Front
11	1708362	1	STRAP, Fuel Tank, Brace
12	1708363	1	SUPPORT, Fuel Tank
13	1708470	1	SHROUD, Rear
14	1708524	1	PAD, Foot Rest, RH
15	1708525	1	PAD, Foot Rest, LH
16	1708725	1	DUCT, Air Inlet (Gear model only)
17	1709269	1	"U" SUPPORT, Seat Deck
18	1710437	1	SPACER, 21/64 x 1/2 x 21/64
19	1714020	1	CAP, Fuel Tank, Vented
20	1714447	1	DUCT, Air Inlet (Hydro model only)
21	1921333	2	CAPSCREW, Hex Hd., 5/16-18 x 1
22	1924856	1	SCREW, Hex Hd., Taptite, 5/16 x 1/2
23	1924940	1	WASHER, Plain, 13/32 x 7/8 x 5/64
24	1925003	6	SCREW, Hex Hd., Taptite, 1/4-20 x 1/2
25	1930591	2	CAPSCREW, Hex Hd., Whizlock, 5/16-18 x 3/4
26	1931277	5	NUT, Hex, Flange, Whizlock, 5/16-18
27	1931333	1	CARRIAGE BOLT, 5/16-18 x 3/4
28	1933988	2	PAL NUT, 5/16
29	1935255	4	PAL NUT, 5/16-18
30	1960112	2	CLAMP, Hose
31	1960373	1	SCREW, Taptite, 5/16-18 x 1



NOTE: Unless noted otherwise, use the standard hardware torque specification chart.

Frame & Fuel System

REF. NO.	PART NO.	QTY.	DESCRIPTION
1	173206	1	FUEL FILTER
2	176440	4	BUSHING
3	934683	1	CLIP
4	1654930	1	BUSHING, Rubber
5	1660007	1	FRAME ASSY. (Incl. Ref. No. 2)
6	1673796	1	SPACER
7	1674231	1	ELBOW
8	1676861	1	HOSE, Fuel Tank
9	1685483	1	FUEL TANK (Incl. Ref. No. 1, 4, 7 & 34)
10	1704351	14	FASTENER
11	1708253	1	PANEL, Front
12	1708362	1	STRAP, Fuel Tank, Brace
13	1708363	1	SUPPORT, Fuel Tank
14	1708470	1	SHROUD, Rear
15	1708524	1	PAD, Foot Rest, RH
16	1708525	1	PAD, Foot Rest, LH
17	1710437	1	SPACER, 21/64 x 1/2 x 21/64
18	1714020	1	CAP, Fuel Tank, Vented
19	1714064	1	"U" SUPPORT, Seat Deck
20	1714077	2	PLATE, Front Panel
21	1714078	1	DUCT, Air Inlet
22	1714103	1	SEAL, Front Plate
23	1921977	2	CAPSCREW, Hex Hd., 5/16-18 x 1-1/4
24	1922127	1	CAPSCREW, Hex Hd., 5/16-18 x 1-3/4
25	1923341	1	CAPSCREW, Hex Hd., 1/4-20 x 3/4
26	1924940	1	WASHER, Plain, 13/32 x 7/8 x 5/64
27	1925003	6	SCREW, Hex Hd., Taptite, 1/4-20 x 1/2
28	1930591	2	CAPSCREW, Hex Hd., Whizlock, 5/16-18 x 3/4
29	1931202	1	SCREW, Hex, Taptite, 5/16-18 x 1-1/4
30	1931277	4	NUT, Hex, Flange, Whizlock, 5/16-18
31	1931333	1	CARRIAGE BOLT, 5/16-18 x 3/4
32	1933988	2	PAL NUT, 5/16
33	1935255	4	PAL NUT, 5/16-18
34	1960112	2	CLAMP, Hose

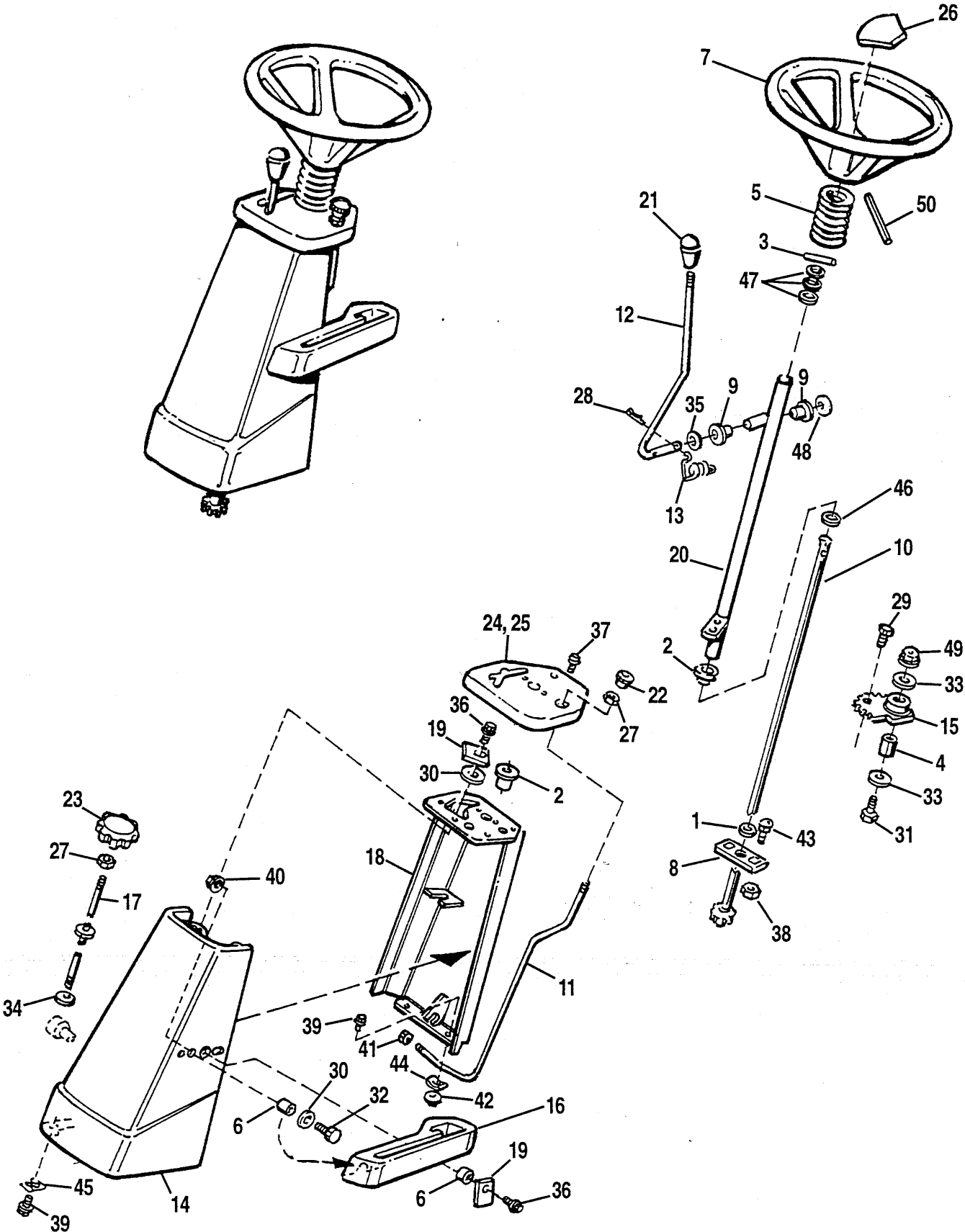


See Front Wheels Group

All Models**Steering & Lift**

REF. NO.	PART NO.	QTY.	DESCRIPTION
1	108512	1	PIVOT
2	1704420	2	KLIP RING
3	1706011	1	SPINDLE ASSY., LH
4	1706019	1	SPINDLE ASSY., RH
5	1708500	1	TIE ROD, RH
6	1708501	1	TIE ROD, LH
7	1708514	1	ECCENTRIC
8	1708516	1	LEVER
9	1708521	1	ROD, Hitch
10	1708556	1	CABLE ASSY., Lift
11	1708557	1	LEVER, Lift
12	1708559	1	PULLEY, Lift
13	1708884	1	SPRING, Compression
14	1708955	1	ARM ASSY., Lift
15	1708966	1	GRIP, Lever
16	1708973	1	BUSHING
17	1709235	2	BUSHING
18	1709237	1	HITCH, Hook
19	1710703	1	SPACER, 21/64 x 1/2 x 5/8
20	1918447	3	COTTER PIN, 3/32 x 3/4
21	1919381	1	WASHER, Plain, 11/32 x 1 x 1/8
22	1919439	1	NUT, Hex, Esna Lock, 3/8-16
23	1920328	2	CAPSCREW, Hex Hd., 1/2-13 x 1-1/2
24	1921969	1	CAPSCREW, Hex Hd., 3/8-16 x 1-1/2
25	1921971	1	CAPSCREW, Hex Hd., 3/8-16 x 1-3/4
26	1922755	1	WASHER, Plain, 13/32 x 7/8 x 1/8
27	1924356	1	WASHER, Plain, 13/32 x 1-1/2 x 1/8
28	1924940	3	WASHER, Plain, 13/32 x 7/8 x 5/64
29	1930644	2	NUT, Hex, Flange Lock, 1/2-13
30	1930645	1	NUT, Hex, Flange Lock, 3/8-16
31	1930651	1	NUT, Hex, 3/8-16
32	1931335	2	CARRIAGE BOLT, 3/8-16 x 1
33	1935048	3	NUT, Hex, Flange Lock, 5/16-18
34	1960170	2	WASHER, Plain
35	1960236	2	SPACER

Front Column & Dash

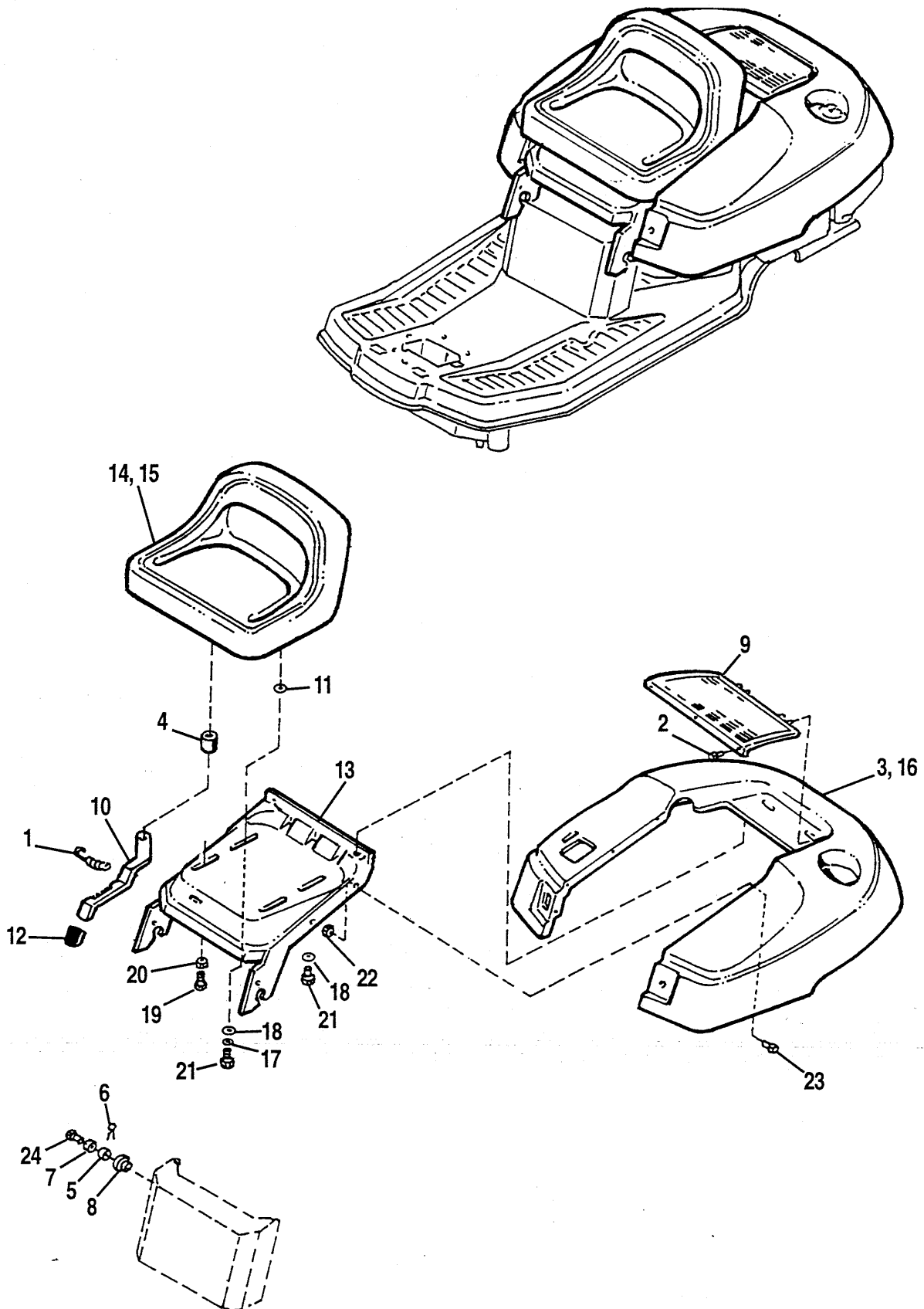


NOTE: Unless noted otherwise, use the standard hardware torque specification chart.

All Models

Front Column & Dash

REF. NO.	PART NO.	QTY.	DESCRIPTION
1	173668	1	WASHER, Plain
2	176440	2	BUSHING
3	916001	1	PIN
4	1666332	1	SPACER
5	1678381	1	TUBE, Steering
6	1678392	3	SPACER, 17/64 x 3/8 x 21/64
7	1686651	1	STEERING WHEEL ASSY. (Incl. Ref. Nos. 26 & 50)
8	1703508	1	PLATE, Steering Mounting
9	1704428	2	BUSHING
10	1706014	1	SHAFT ASSY., Steering
11	1707057	1	ROD, Parking Brake
12	1707375	1	ROD, Shift
13	1707424	1	SPRING, Torsion
14	1708267	1	SHROUD, Front (Orange)
	41708267	1	SHROUD, Front (Red)
15	1708426	1	GEAR, Steering
16	1708965	1	QUADRANT, Lift
17	1708971	1	ROD, Lift Height
18	1708990	1	SUPPORT, Steering
19	1709075	2	CLAMP
20	1709229	1	TUBE ASSY., Shift
21	1713843	1	KNOB, Rod, Shift
22	1713855	1	KNOB, Rod, Parking Brake
23	1713857	1	KNOB, Rod, Lift Height
24	1714081	1	DASH, Hydro
25	1714082	1	DASH, Gear
26	1714097	1	CAP, Steering Wheel
27	1917421	2	NUT, Hex, Jam, 1/4-20
28	1918447	2	COTTER PIN
29	1921221	1	CAPSCREW, Hex Hd., 5/16-18 x 1-1/2
30	1921319	2	WASHER, Plain, 1/4
31	1923701	1	CAPSCREW, Hex Hd., 3/8-16 x 2
32	1924009	2	CAPSCREW, Hex, 1/4-20 x 7/8
33	1924356	2	WASHER, Plain, 13/32 x 1-1/2 x 1/8
34	1924356	1	WASHER, 13/32 x 1-1/2 x 1/8
35	1924361	1	WASHER, Plain, 17/32 x 1-1/4 x 7/64
36	1925003	3	SCREW, Hex, Flange, Taptite, 1/4-20 x 1/2
37	1925592	3	SCREW, Hex, Flange, Taptite, 1/4-20 x 3/4
38	1928352	2	NUT, Hex, 3/8-16
39	1930591	6	SCREW, Hex, Whizlock, 5/16-18 x 3/4
40	1930641	2	NUT, Hex, Flange, Whizlock, 1/4-20
41	1930642	1	NUT, Hex, Flange, 1/4-20
42	1931277	2	NUT, Hex, Flange, Whizlock, 5/16-18
43	1931350	2	CARRIAGE BOLT, 3/8-16 x 1
44	1933988	2	PUSH NUT, 5/16
45	1935255	4	PAL NUT, 5/16-18
46	1960114	1	WASHER, Plain, 11/32 x 1 x 1/8
47	1960160	3	WASHER, Plain, 49/64 x 1-1/16 x 5/64
48	1960170	1	WASHER, Plain
49	1960339	1	NUT, Hex, Flange Lock, 3/8-16
50	1960540	1	ROLL PIN, 5/16 x 2



NOTE: Unless noted otherwise, use the standard hardware torque specification chart.

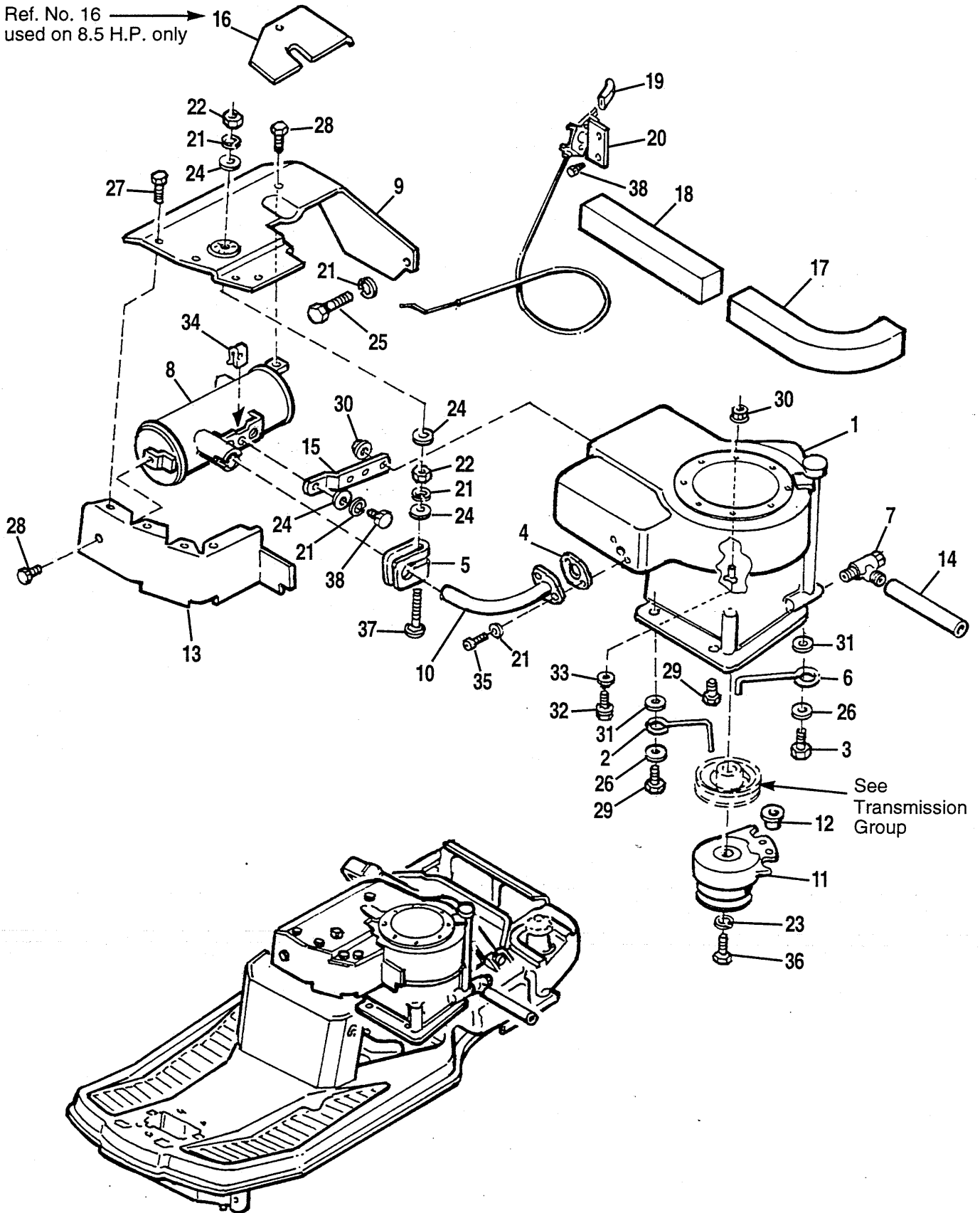
All Models

Seat & Deck

REF. NO.	PART NO.	QTY.	DESCRIPTION
1	1667286	1	SPRING
2	1673320	3	RIVET
3	1686638	1	DECK, Seat (Orange)
4	1703900	1	SPACER
5	1704626	2	SPACER, Hood
6	1704628	2	CLIP, Hairpin
7	1705248	2	PIVOT, Hood
8	1705249	2	SPACER
9	1708504	1	SCREEN
10	1708509	1	ADJUSTER, Seat
11	1708511	4	SPACER, Seat Side
12	1708881	1	CAP, Vinyl, Black
13	1713556	1	SUPPORT, Seat
14	1713839	1	SEAT ASSY. (Includes Ref. No. 15)
15	1714482	1	COVER, Seat
16	1714625	1	DECK, Seat (Red)
17	1917356	1	LOCKWASHER, 5/16
18	1919381	3	WASHER, Plain, 11/32 x 1 x 1/8
19	1921977	2	CAPSCREW, Hex Hd., 5/16-18 x 1-1/4
20	1927557	1	NUT, Hex, 5/16-18
21	1930591	4	CAPSCREW, Hex Hd., Whizlock, 5/16-18 x 3/4
22	1930642	8	NUT, Hex, Flange Lock, 1/4-20
23	1960295	8	CAPSCREW, Hex Hd., 1/4-20 x 5/8
24	1960373	2	SCREW, Taptite, 5/16-18 x 1

Engine & Electric Clutch (PTO) - 8.5, 10 & 12 HP Briggs & Stratton

Ref. No. 16 →
used on 8.5 H.P. only



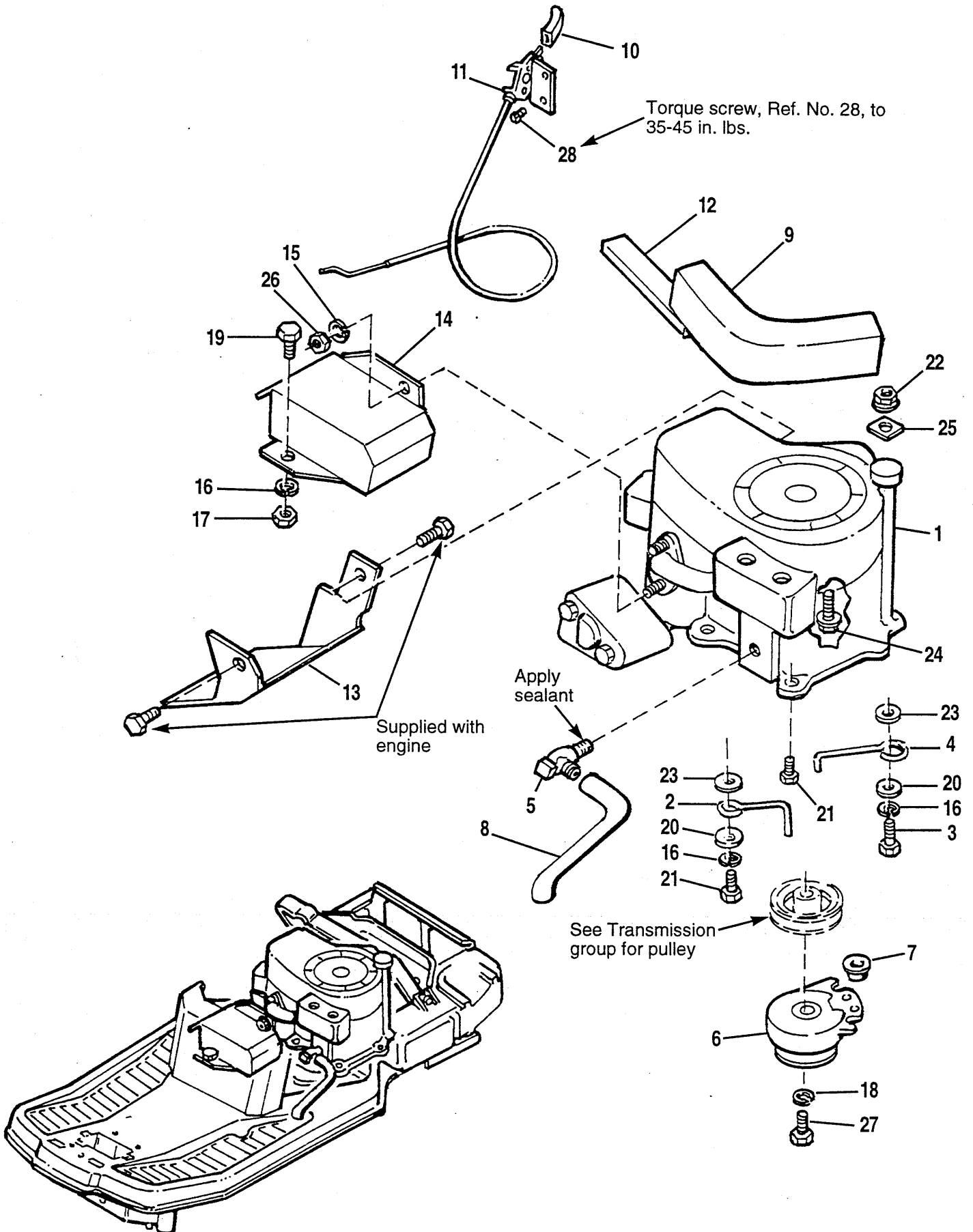
Mfg. Nos. 1692380, 1692387, 1692394, 1692489

Engine & Electric Clutch (PTO) - 8.5, 10 & 12 HP Briggs & Stratton

REF. NO.	PART NO.	QTY.	DESCRIPTION
1	*	1	ENGINE, 8.5, 10 & 12 HP (Briggs & Stratton)
2	158499	1	BELT STOP
3	960361	1	SCREW, Hex, Washer Hd., Taptite, 3/8-16 x 2
4	1650670	1	GASKET, Muffler
5	1676183	1	CLAMP, Muffler
6	1704419	1	BELT STOP
7	1708405	2	DRAIN VALVE, Oil
8	1708416	1	MUFFLER ASSY.
9	1708420	1	DUCT, Top, RH
10	1708421	1	PIPE, Exhaust
11	1708536	1	ELECTRIC CLUTCH
12	1708537	1	SLEEVE, Clutch Anchor
13	1708581	1	DUCT, Top, LH
14	1708645	1	HOSE, Oil Drain
15	1708715	1	SUPPORT, Muffler
16	1708716	1	DUCT, Top, Muffler, 8.5 HP
17	1709055	1	SEAL, Air Inlet
18	1709056	1	SEAL, Air Inlet
19	1713846	1	KNOB, Throttle Control
20	1714040	1	THROTTLE CONTROL ASSY.
21	1917356	5	LOCKWASHER, 5/16
22	1917372	2	NUT, Hex, 5/16-18
23	1918199	1	LOCKWASHER, 7/16
24	1919326	4	WASHER, 11/32
25	1921332	1	CAPSCREW, Hex Hd., 5/16-18 x 3/4
26	1922755	2	WASHER, Plain, 3/8
27	1923735	4	SCREW, Hex Hd., 10-16 x 3/8
28	1924856	2	SCREW, Hex, Flange, Taptite, 5/16-18 x 1/2
29	1930598	2	SCREW, Taptite, 3/8-16 x 1-1/2
30	1931277	3	NUT, Hex, Flange, Whizlock, 5/16-18
31	1933263	2	WASHER, Plain
32	1933689	1	SCREW, Hex, Flange, Whizlock, 5/16-18 x 1-1/2
33	1933988	1	PUSH NUT
34	1935255	1	NUT, Speed, 5/16-18
35	1936228	2	CAPSCREW, Socket Hd., 5/16-18 x 3/4
36	1960370	1	CAPSCREW, Hex Hd., 7/16-20 x 2-1/2
37	1960483	1	CARRIAGE BOLT, 5/16-3 x 1-1/4
38	1960536	2	SCREW, Hex, Taptite, 1/4-20 x 1/2

* See your local Briggs & Stratton dealer for parts and service.

Engine & Electric Clutch (PTO) - 12 HP Tecumseh



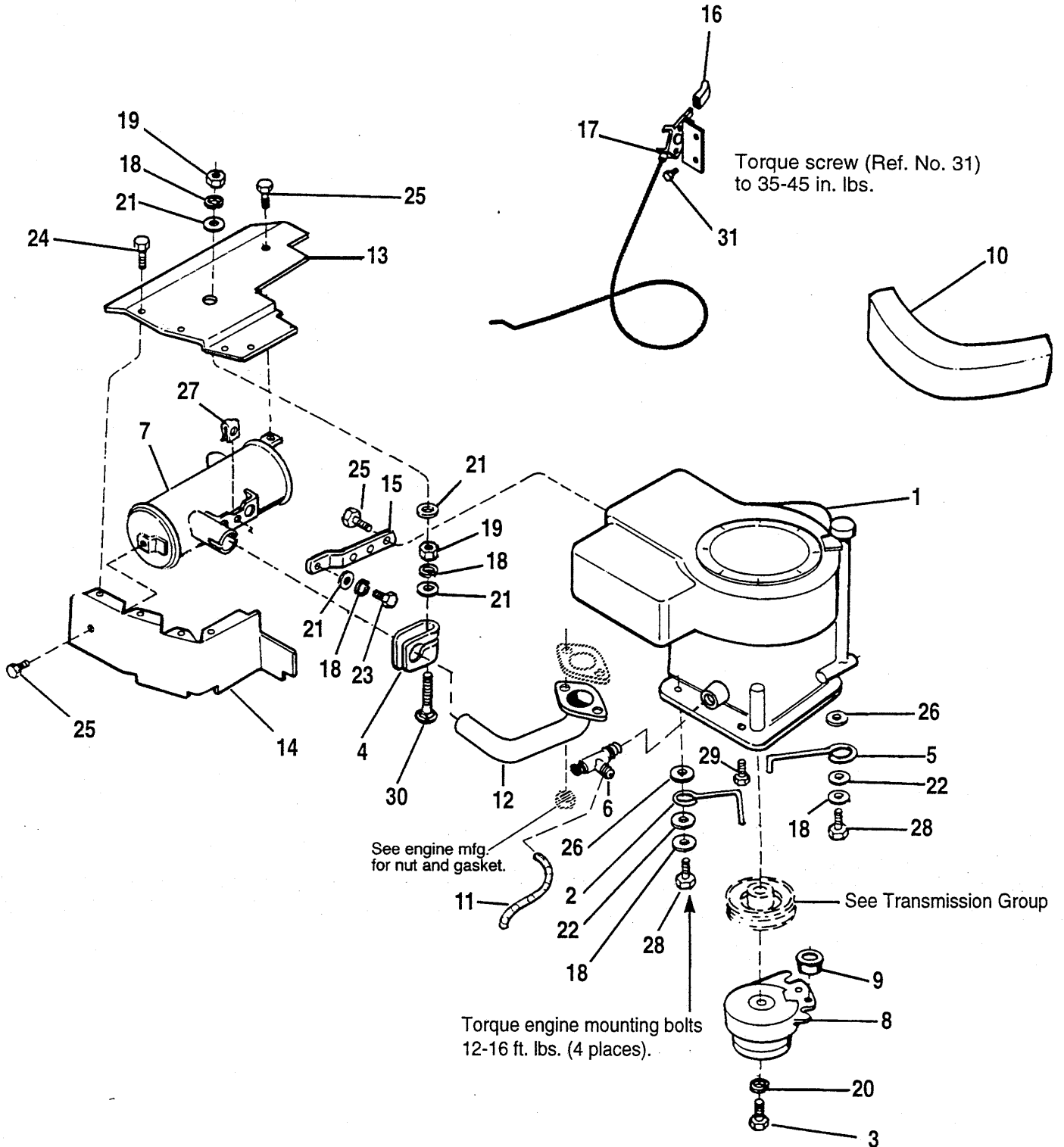
Mfg. Nos. 1692515, 1692517, 1692519

Engine & Electric Clutch (PTO) - 12 HP Tecumseh

REF. NO.	PART NO.	QTY.	DESCRIPTION
1	*	1	ENGINE, 12 HP (Tecumseh)
2	158499	1	BELT STOP
3	960361	1	SCREW, Taptite, 3/8-16 x 2
4	1704419	1	BELT STOP
5	1708405	1	VALVE, Oil Drain
6	1708536	1	CLUTCH, Electric
7	1708537	1	SLEEVE, Clutch Anchor
8	1708645	1	HOSE, Oil Drain
9	1709055	1	SEAL, Air Inlet
10	1713846	1	KNOB, Throttle Control
11	1714040	1	THROTTLE CONTROL ASSY.
12	1714103	1	SEAL, Air
13	1714442	1	DEFLECTOR, Air, Lower
14	1714443	1	SHIELD, Muffler
15	1916964	1	LOCKWASHER, 1/4
16	1917356	3	LOCKWASHER, 5/16
17	1917372	1	NUT, Hex, 5/16-18
18	1918199	1	LOCKWASHER, 7/16
19	1921332	1	CAPSCREW, Hex, 5/16-18 x 3/4
20	1922755	2	WASHER, Plain, 3/8
21	1930598	2	SCREW, Taptite, 3/8-16 x 1-1/2
22	1931277	1	NUT, Hex, Flange, Whizlock, 5/16-18
23	1933263	2	WASHER, Plain
24	1933689	1	SCREW, Hex, Flange, Whizlock, 5/16-18 x 1-1/2
25	1933988	1	PUSH NUT, 5/16
26	1960262	1	NUT, Hex, 1/4-28
27	1960370	1	CAPSCREW, Hex, 7/16-20 x 2-1/2
28	1960536	2	SCREW, Plastite, 1/4-10 x 1/2

*** See your local Tecumseh dealer for parts and service.**

Engine & Electric Clutch (PTO) - 13 HP Kohler



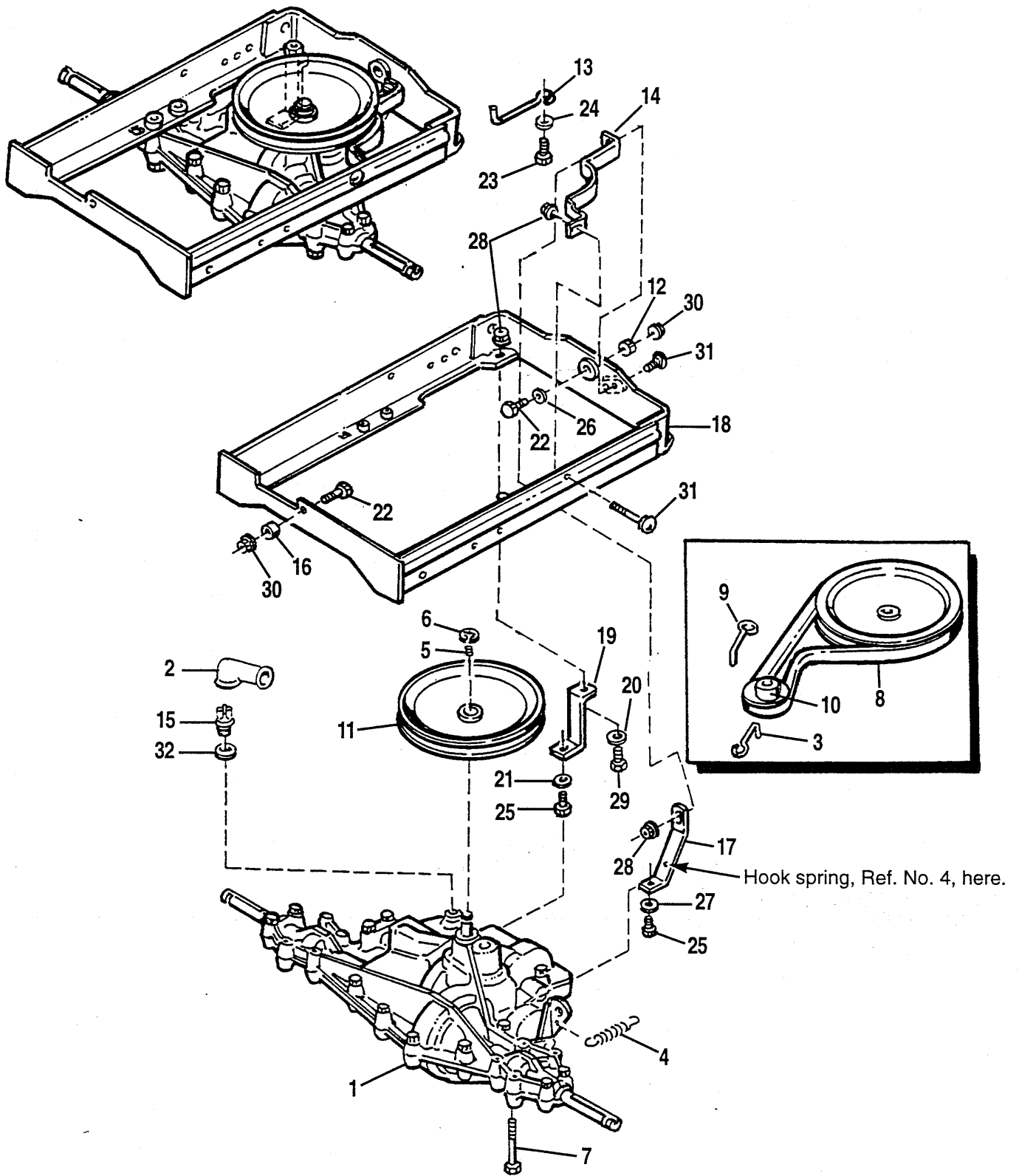
Mfg. Nos. 1692385, 1692392, 1692399, 1692491

Engine & Electric Clutch (PTO) - 13 HP Kohler

REF. NO.	PART NO.	QTY.	DESCRIPTION
1	*	1	ENGINE, 13 HP (Kohler)
2	158499	1	BELT STOP
3	960479	1	CAPSCREW, Hex Hd., M10-1-1/2 x 60mm
4	1676183	1	CLAMP, Muffler
5	1704419	1	BELT STOP
6	1708405	1	VALVE, Oil Drain
7	1708416	1	MUFFLER ASSY.
8	1708536	1	ELECTRIC CLUTCH
9	1708537	1	SLEEVE, Clutch Anchor
10	1709055	1	SEAL, Air Inlet
11	1708645	1	HOSE, Oil Drain
12	1713502	1	PIPE, Exhaust
13	1713554	1	SHIELD, Muffler
14	1713555	1	DUCT, Bottom
15	1713557	1	SUPPORT, Muffler
16	1713846	1	KNOB, Throttle Control
17	1714040	1	THROTTLE CONTROL ASSY.
18	1917356	8	LOCKWASHER, 5/16
19	1917372	2	NUT, Hex, 5/16-18
20	1918199	1	LOCKWASHER, 7/16
21	1919326	5	WASHER, 11/32
22	1919381	4	WASHER, Plain, 3/8
23	1921333	2	CAPSCREW, Hex Hd., 5/16-18 x 1
24	1923735	4	SCREW, Hex Hd., 10-16 x 3/8
25	1924856	3	SCREW, Hex, Flange, Taptite, 5/16-18 x 1/2
26	1933263	2	WASHER, Plain
27	1935255	1	NUT, Speed, 5/16-18
28	1950021	2	CAPSCREW, Hex Hd., M8 x 1-1/4 x 40mm
29	1960405	2	SCREW, Hex, #8-1-1/4 x 30mm
30	1960483	1	CARRIAGE BOLT, 5/16-3 x 1-1/4
31	1960536	2	SCREW, Plastite, 1/4-10 x 1/2

* See your local Kohler dealer for parts and service.

Peerless Transaxle Model 915-016B - Transmission & Carrier

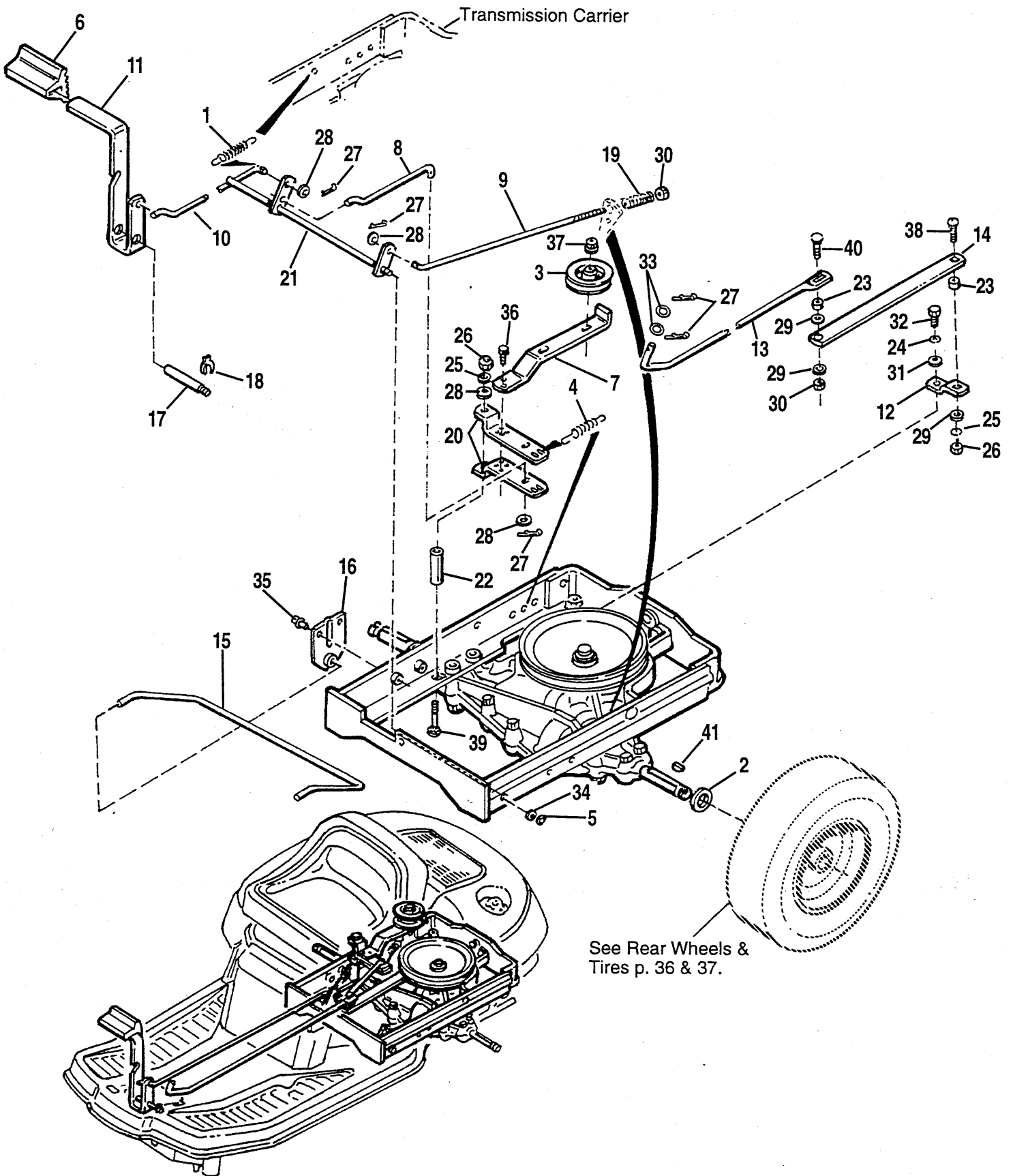


Peerless Transaxle Model 915-016B - Transmission & Carrier

REF. NO.	PART NO.	QTY.	DESCRIPTION
1	*	1	TRANSMISSION, 5-Speed (Gear)
2	122023	1	COVER, Terminal
3	158499	1	BELT STOP
4	159106	1	SPRING, Return
5	905123	1	KEY, Woodruff, #9
6	927103	1	RING, Retaining
7	960478	4	SCREW, Hex Hd., 5/16-18 x 2-1/4
8	1676460	1	V-BELT
9	1704419	1	BELT STOP
10	1706450	1	PULLEY ASSY., Drive, Engine
11	1706454	1	PULLEY ASSY., Driven, Transmission
12	1707433	1	BUSHING, Rear
13	1707589	1	BELT STOP
14	1708410	1	GUIDE, Belt, Transmission
15	1708558	1	SWITCH, Ball
16	1709089	1	BUSHING, Front
17	1709216	1	STRAP, Torque
18	1709232	1	CARRIER ASSY.
19	1713742	1	STRAP, Torque
20	1919381	1	WASHER, Plain, 5/16
21	1919384	1	WASHER, Plain, 7/16 x 1-1/4 x 1/8
22	1921176	2	CAPSCREW, Hex Hd., 1/2-13 x 1-1/4
23	1921971	1	CAPSCREW, Hex Hd., 3/8-16 x 1-3/4
24	1922755	1	WASHER, Plain, 13/32 x 1 x 1/8
25	1923683	2	SCREW, Hex Hd., Taptite, 3/8-18 x 5/8
26	1924361	1	WASHER
27	1924940	1	WASHER, Plain, 13/32 x 7/8 x 5/64
28	1927557	3	NUT, Hex, Flange, Whizlock, 5/16-18
29	1930591	1	SCREW, Hex, Flange, Whizlock, 5/16-18 x 3/4
30	1930644	2	NUT, Hex, Flange Lock, 1/2 x 13
31	1931332	2	CARRIAGE BOLT, 5/16-18 x 5/8
32	1960020	1	WASHER, Plain, 21/32 x 1-1/4 x 1/16

* Service parts are listed on pages 22 - 25. Obtain repair parts from your authorized Peerless/Tecumseh Distributor.

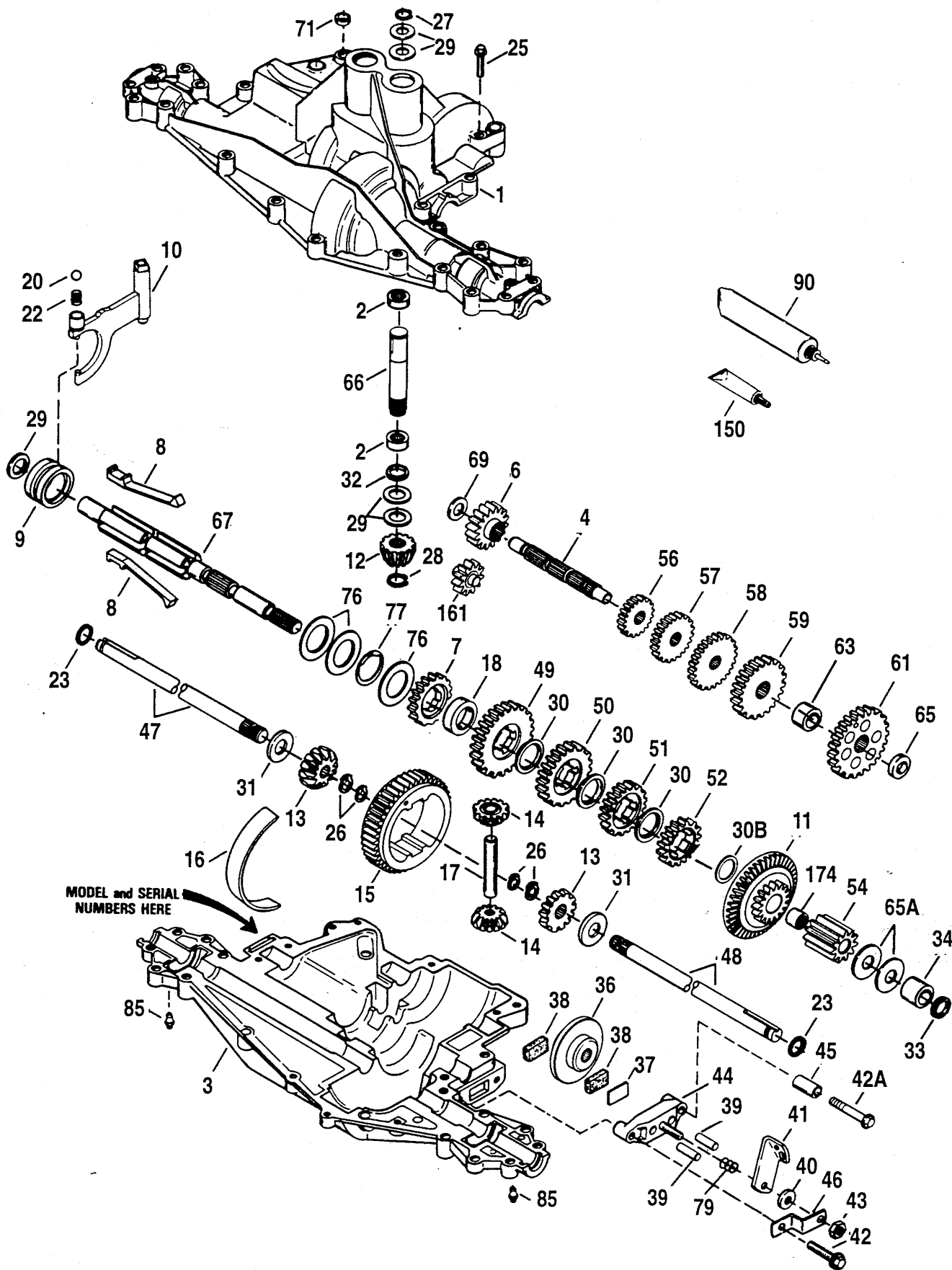
Peerless Transaxle Model 915-016B - Controls



Peerless Transaxle Model 915-016B - Controls

REF. NO.	PART NO.	QTY.	DESCRIPTION
1	159106	1	SPRING, Return
2	960202	A/R	WASHER, 3/4
3	1668827	1	PULLEY, Idler
4	1669837	1	SPRING, Idler
5	1703805	1	KLIPRING, 1/2
6	1704849	1	PAD, Pedal
7	1706252	1	LEVER, Idler, Pulley
8	1706255	1	ROD, Clutch, Rear
9	1706256	1	ROD, Brake
10	1706260	1	ROD, Clutch, Front
11	1706264	1	LEVER, Clutch
12	1706388	1	BRACKET, Shift
13	1707209	1	ROD, Shift, Front
14	1707210	1	BAR, Shift, Rear
15	1708366	1	TORSION BAR
16	1708367	2	BRACKET, Torsion Bar
17	1708409	1	PIVOT, Brake
18	1708554	1	KLIP RING, 3/8
19	1709097	1	SPRING, Compression
20	1709221	2	CLEVIS, Idler, Bracket
21	1709231	1	PIVOT SHAFT ASSY.
22	1709345	1	SPACER, Pivot
23	1710437	2	SPACER
24	1916964	1	LOCKWASHER, 1/4
25	1917356	2	LOCKWASHER, 5/16
26	1917372	2	NUT, Hex, 5/16-18
27	1918447	6	COTTER PIN, 3/32 x 3/4
28	1919326	4	WASHER, Plain
29	1919381	3	WASHER, Plain, 5/16
30	1919438	2	NUT, Hex, Nylon Lock, 5/16-18
31	1921319	1	WASHER, Plain, 17/64 x 5/8 x 3/64
32	1922234	1	SCREW, Hex Hd., 1/4-28 x 5/8
33	1924359	2	WASHER
34	1924361	2	WASHER, Plain, 1/2
35	1924856	4	SCREW, Hex Hd., Flange, Taptite, 5/16-18 x 1/2
36	1927429	1	SCREW, Hex Hd., Flange, Taptite, 1/4-20 x 5/8
37	1930645	1	NUT, Hex, Flange Lock, 3/8-16
38	1931335	1	CARRIAGE BOLT, 5/16-18 x 1
39	1931342	1	CARRIAGE BOLT, 5/16-18 x 2-3/4
40	1960223	1	CARRIAGE BOLT, 5/16-18 X 1-1/4
41	8221042	2	KEY

Peerless Transaxle Model 915-016B - Service Parts



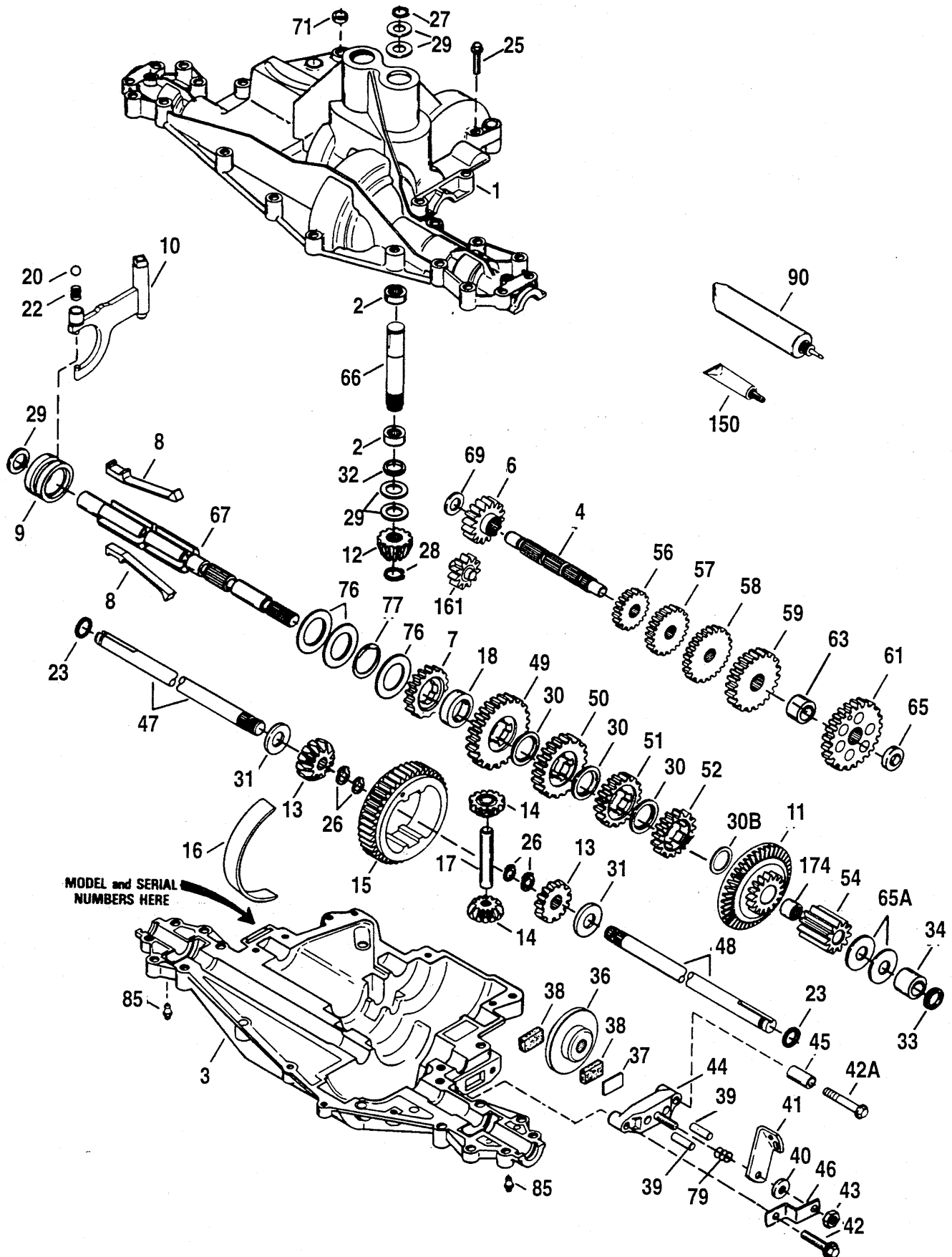
Peerless Transaxle Model 915-016B - Service Parts

REF. NO.	PART NO.	QTY.	DESCRIPTION
1	772117	1	COVER, Transaxle
2	780086	2	BEARING, Needle
3	770114	1	CASE, Transaxle
4	776300	1	COUNTERSHAFT, (4-7/8" Long)
6	778281	1	GEAR, Spur (16 Teeth)
7	778278	1	GEAR, Spur (22 Teeth)
8	792160	4	KEY
9	784373	1	COLLAR, Shifter
10	784365	1	ROD & FORK ASSY., Shift
11	778290A	1	GEAR, Bevel (44 & 16 Teeth) (Incl. Ref. No. 174)
12	778262	1	BEVEL PINION, Input
13	778221	2	GEAR, Bevel
14	778068	2	GEAR, Bevel Pinion
15	778260	1	RING GEAR
16	786150	1	STRIP, Bearing
17	786139	1	PIN, Drive
18	786157	1	SPACER, Neutral (1-3/8" O.D. x 1-1/8" I.D. x 15/32" Thick)
20	792139	1	BALL, Steel
22	792142	1	SPRING
23	788061	2	SEAL RING
25	792073	17	SCREW, Hex Hd., Flange, Threadforming, 1/4-20 x 1-1/4
26	792125	4	RING, Retaining, (Pkg. of 2)
27	792035	1	RING, Retaining
28	788040	1	RING, Retaining
29	780072	5	WASHER, Thrust
30	780108	3	WASHER, Thrust
30B	780178	1	WASHER, Thrust
31	780001	2	WASHER
32	792001	1	"O" RING
33	788076	1	SEAL, Square Cut
34	780159	1	BUSHING
36	790071	1	DISK, Brake
37	790007	1	PLATE, Brake Pad
38	799021	2	PAD, Brake (Pkg. of 2)
39	786026	2	PIN, Dowel
40	792076A	1	WASHER, Flat
41	790047	1	LEVER, Brake
42	792073	1	SCREW, Hex Hd., Flange, Threadforming, 1/4-20 x 1-1/4

Ref. Nos. 42A - 174 are on the following page.

Obtain repair parts from your authorized Peerless/Tecumseh Distributor.

Peerless Transaxle Model 915-016B - Service Parts



Mfg. Nos. 1692380, 1692382, 1692394, 1692396, 1692489

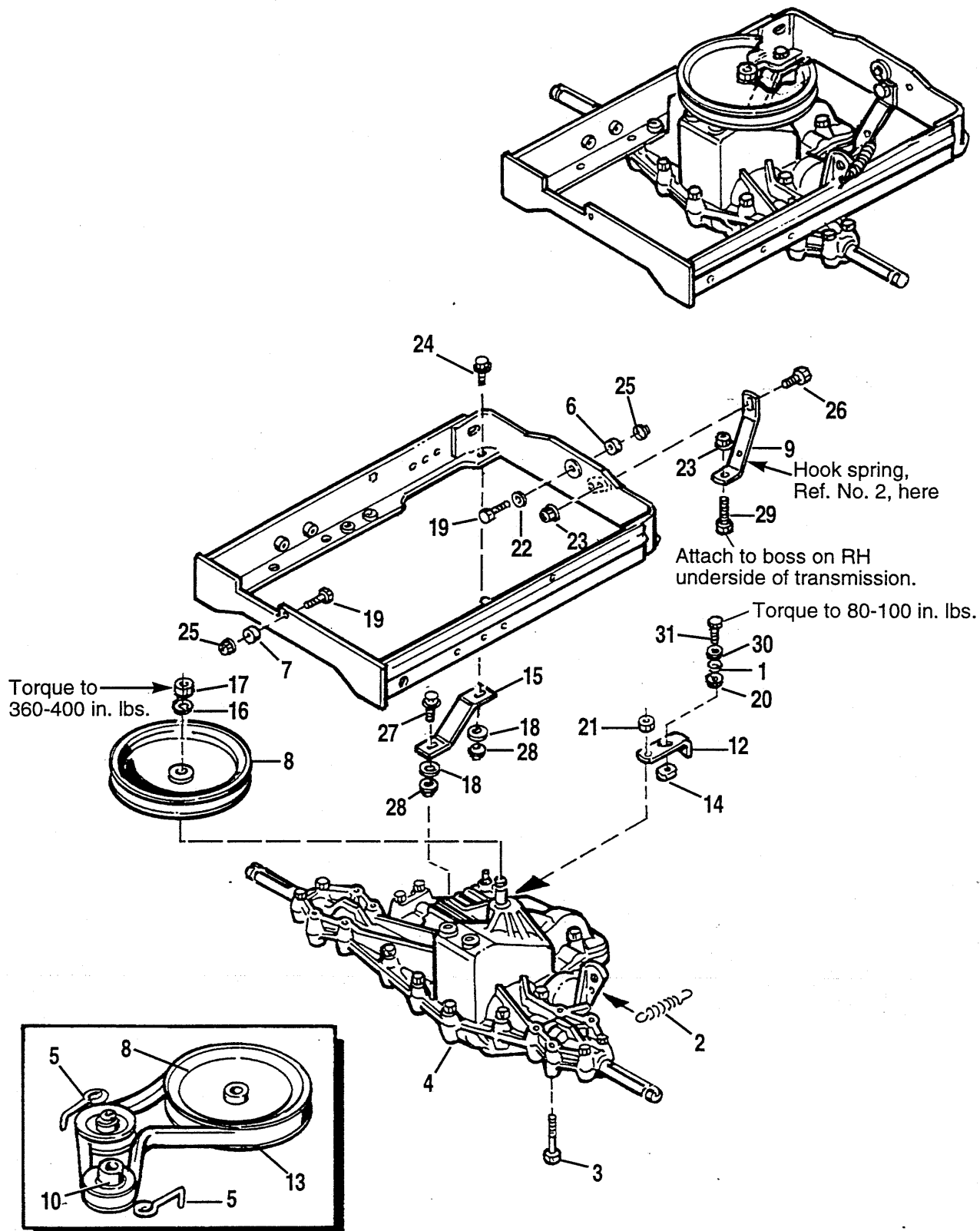
Peerless Transaxle Model 915-016B - Service Parts

REF. NO.	PART NO.	QTY.	DESCRIPTION
42A	792085	1	SCREW, Hex Hd., Flange, Threadforming, 1/4-20 x 2-1/4
43	792075	1	NUT, Lock, 5/16-24
44	790025	1	HOLDER, Brake Pad
45	786066	1	SPACER
46	786086	1	BRACKET, Brake Lever
47	774869	1	AXLE, (16-7/8" Long)
48	774688	1	AXLE, (11-5/8" Long) (Incl. Ref. No. 26, Qty. 2)
49	778125	1	GEAR, Spur (35 Teeth)
50	778250	1	GEAR, Spur (27 Teeth)
51	778122A	1	GEAR, Spur (22 Teeth)
52	778321	1	GEAR, Spur (19 Teeth)
54	778263	1	GEAR, Spur (11 Teeth)
56	778151	1	GEAR, Spur (15 Teeth)
57	778249	1	GEAR, Spur (23 Teeth)
58	778128A	1	GEAR, Spur (28 Teeth)
59	778129A	1	GEAR, Spur (30 Teeth)
61	778265	1	GEAR, Spur (34 Teeth)
63	786155A	1	SPACER
65	780162	1	WASHER, Thrust
65A	780160	2	WASHER, Thrust
66	776299	1	SHAFT, Input (3-5/16" Long)
67	776352	1	SHAFT, Brake (4 Keyed)
69	780161	1	WASHER, Thrust
71	788069	1	SEAL, Square Cut
76	780090	3	WASHER
77	788078A	1	RING, Retaining, Inverted
79	792144	1	SPRING, Brake
85	792137	2	FITTING, Lubrication
90	788067B	1	GREASE, 32 Oz. Bottle
150	510334	1	GASKET ELIMINATOR (Loctite #515)
161	776302	1	IDLER ASSY., Reverse
174	780085	1	BEARING, Needle

Ref. Nos. 1 - 42 are on the preceding page.

Obtain repair parts from your authorized Peerless/Tecumseh Distributor.

Hydro Gear Model 311-0500 - Transmission & Carrier

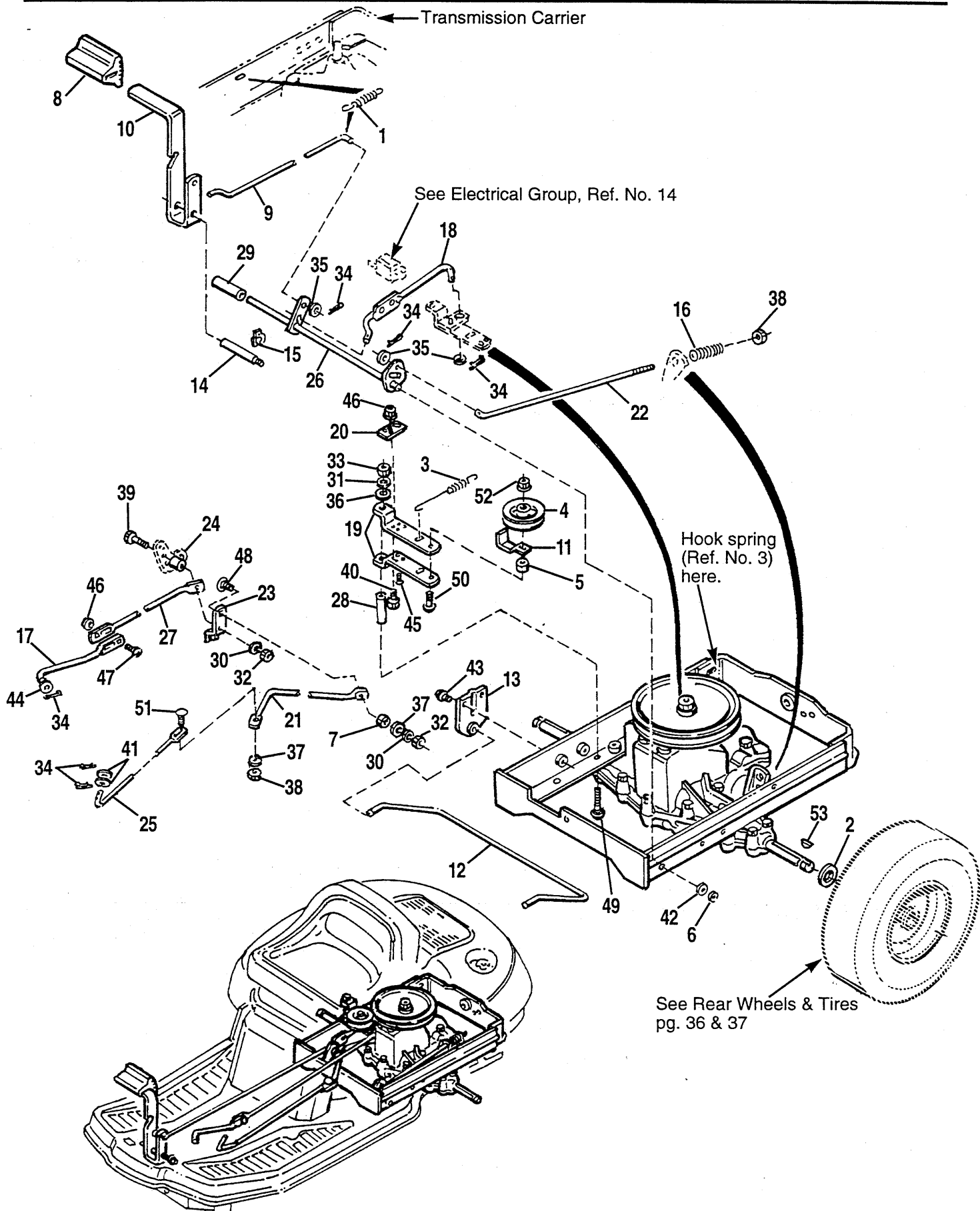


Hydro Gear Model 311-0500 - Transmission & Carrier

REF. NO.	PART NO.	QTY.	DESCRIPTION
1	157127	1	SPRING
2	159106	1	SPRING, Return
3	960478	4	SCREW, Taptite, 5/16-18 x 2-1/4
4	1686615*	1	TRANSMISSION, Hydro
5	1704419	2	BELT STOP
6	1707433	1	BUSHING, Rear
7	1709089	1	BUSHING, Front
8	1709213	1	PULLEY, Transmission
9	1709216	1	STRAP, Torque
10	1709218	1	PULLEY, Engine
11	1709232	1	CARRIER ASSY.
12	1709271	1	LEVER, Release
13	1709323	1	V-BELT
14	1709901	1	SPACER
15	1713441	1	STRAP, Torque
16	1916966	1	LOCKWASHER, 1/2
17	1919262	1	NUT, Hex, Jam, 1/2-20
18	1919381	2	WASHER, 5/16
19	1921176	2	CAPSCREW, Hex Hd., 1/2-13 x 1-1/4
20	1922611	1	WASHER, Plain, 13/32 x 1-1/4 x 1/16
21	1923358	1	NUT, Hex, Lock, 1/4-20
22	1924361	1	WASHER, Plain, 17/32 x 1-1/4 x 5/64
23	1927557	2	NUT, Hex, Flange Whiz, 5/16-18
24	1930591	1	SCREW, Hex, Whizlock, 5/16-18 x 3/4
25	1930644	2	NUT, Hex, Flange Lock, 1/2 x 13
26	1931332	1	CARRIAGE BOLT, 5/16-18 x 5/8
27	1933689	1	SCREW, Hex, Whizlock, 5/16-18 x 1-1/2
28	1935048	2	NUT, Flange, 2-Way Lock, 5/16-18
29	1935159	1	CAPSCREW, Hex, 5/16-18 x 2-1/4
30	1960151	1	WASHER, Plain, 1/4 x 1-1/4 x 5/64
31	1960509	1	SCREW, Taptite, #10-24 x 1-1/4

* Service parts are listed on pages 30 - 31.

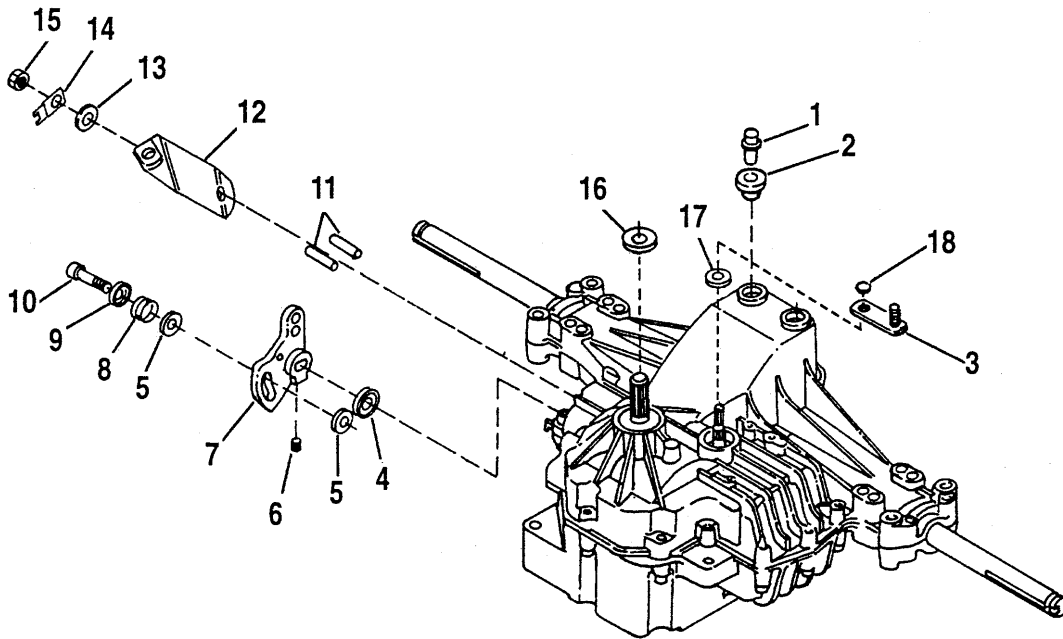
Hydro Gear Model 311- 0500 - Controls



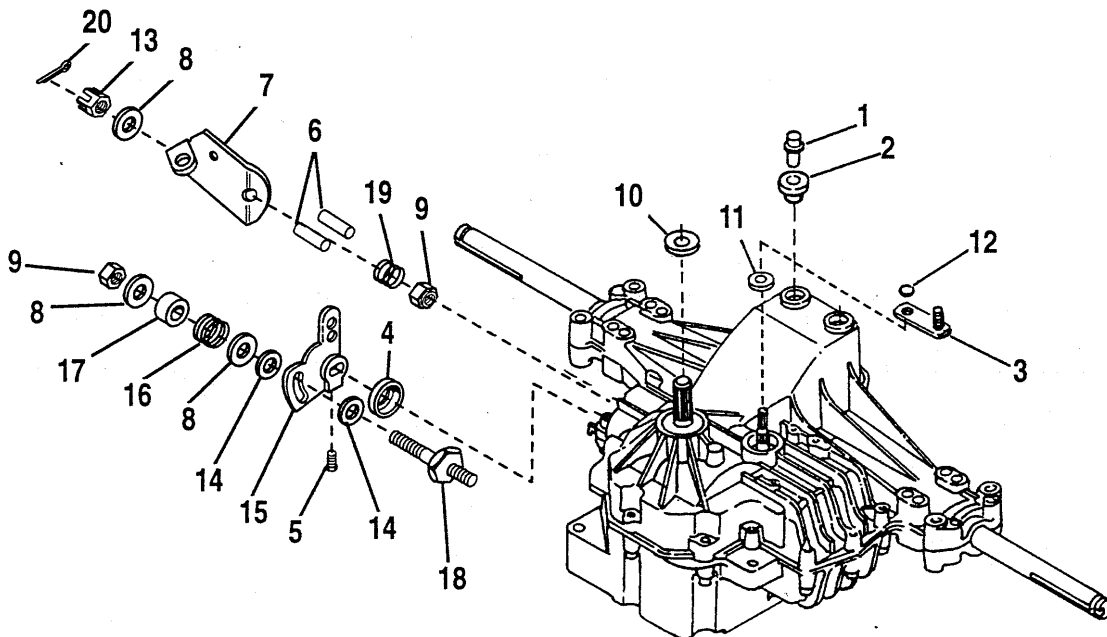
Hydro Gear Model 311-0500 - Controls

REF. NO.	PART NO.	QTY.	DESCRIPTION
1	159106	1	SPRING, Return
2	960202	A/R	WASHER, 3/4
3	1666759	1	SPRING
4	1668827	1	PULLEY, Idler
5	1674440	1	SPACER, 25/64 x 5/8 x 11/16
6	1703805	1	KLIPRING, 1/2
7	1703900	1	SPACER
8	1704849	1	PAD, Pedal
9	1706260	1	ROD, Clutch, Front
10	1706264	1	LEVER, Clutch
11	1708352	1	GUARD, Spring
12	1708366	1	TORSION BAR
13	1708367	2	BRACKET, Torsion Bar
14	1708409	1	PIVOT, Brake
15	1708554	1	KLIP RING, 3/4
16	1709097	1	SPRING, Compression
17	1709217	1	ROD, Return, Front
18	1709220	1	ROD, Clutch, Rear
19	1709221	2	CLEVIS, Idler Bracket
20	1709222	1	PLATE
21	1709223	1	ROD, Control
22	1709224	1	ROD, Brake
23	1709226	1	LEVER, Control
24	1709227	1	SPACER
25	1709228	1	ROD, Shift, Front
26	1709231	1	PIVOT SHAFT ASSY.
27	1709244	1	ROD, Return, Rear
28	1709345	1	SPACER, Pivot
29	1709850	1	TUBE
30	1917356	2	LOCKWASHER, 5/16
31	1917356	1	LOCKWASHER, 5/16
32	1917372	2	NUT, Hex, 5/16-18
33	1917372	1	NUT, Hex, 5/16-18
34	1918447	6	COTTER PIN, 7/64 x 3/4
35	1919326	3	WASHER, Plain
36	1919326	1	WASHER, Plain
37	1919381	2	WASHER, Plain, 5/16
38	1919438	2	NUT, Hex, Lock, 5/16-18
39	1922127	1	CAPSCREW, 5/16-18 x 1-3/4
40	1923341	1	CAPSCREW, Hex, 1/4-20 x 3/4
41	1924359	2	WASHER, Plain, 1/2 x 1 x 1/32
42	1924361	1	WASHER, Plain
43	1924856	4	SCREW, Taptite, 5/16-18 x 1/2
44	1924940	1	WASHER, Plain, 13/32 x 7/8 x 5/64
45	1927429	1	SCREW, Taptite, 1/4-20 x 5/8
46	1930641	3	NUT, Hex, Flange Whiz, 1/4-20
47	1931318	1	CARRIAGE BOLT, 1/4-20 x 7/8
48	1931335	1	CARRIAGE BOLT, 5/16-18 x 1
49	1931342	1	CARRIAGE BOLT, 5/15-18 x 2-3/4
50	1931355	1	CARRIAGE BOLT, 3/8-16 x 2-1/4
51	1960223	1	CARRIAGE BOLT, 5/16-18 X 1-1/4
52	1960251	1	NUT, Hex, Jam, Lock, 3/8-16
53	8221042	2	KEY

NOTE: These parts are used on transmissions with S/N's prior to 4000T0001.



NOTE: These parts are used on transmissions with S/N's 4000T0001 and higher.



Hydro Gear Model 311-0500 - Service Parts

REF. NO.	PART NO.	QTY.	DESCRIPTION
----------	----------	------	-------------

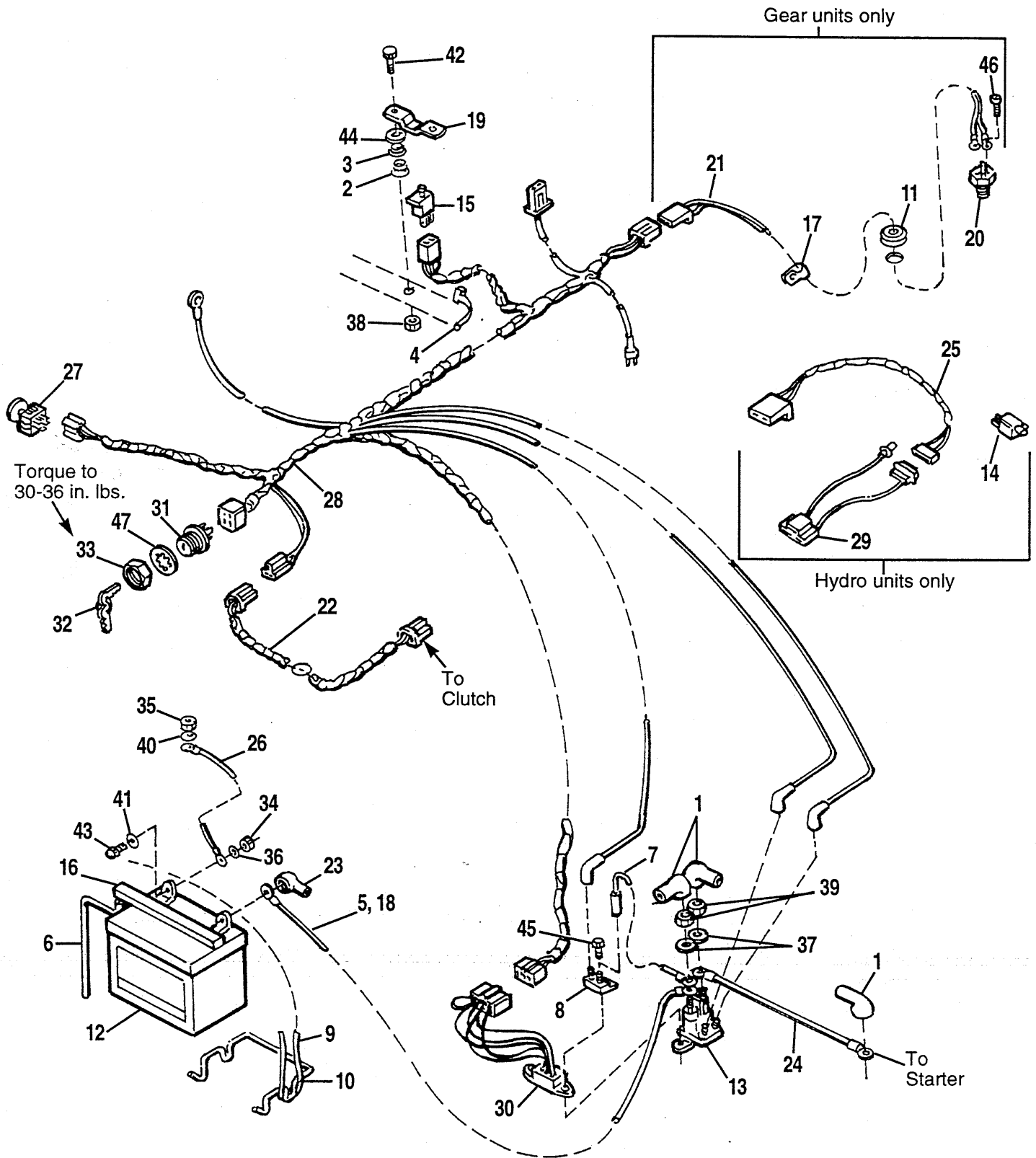
NOTE: These parts are used on transmissions with S/N's prior to 4000T0001.

1	1709905	1	BREATHER ASSY.
2	1709906	1	BUSHING, Rubber
3	1709907	1	ARM, Bypass
4	1709908	1	SEAL
5	1709909	2	PUCK, Dampener
6	1709910	1	SET SCREW
7	1709911	1	ARM, Control
8	1709912	1	SPRING
9	1709913	1	CUP WASHER
10	1709914	1	SCREW, Socket Hd.
11	1709915	2	ACTUATOR PIN
12	1709916	1	ARM, Brake
13	1709917	1	WASHER, 7/16 x 7/8 x 1/16
14	1709918	1	LOCKING STRAP
15	1709919	1	NUT, Hex, Lock, 5/16 x 24
16	1709920	1	SEAL, Lip
17	1709921	1	SEAL, Lip
18	1709922	1	RING, Retaining

REF. NO.	PART NO.	QTY.	DESCRIPTION
----------	----------	------	-------------

NOTE: These parts are used on transmissions with S/N's 4000T0001 and higher.

1	1709905	1	BREATHER ASSY.
2	1709906	1	BUSHING, Rubber
3	1709907	1	ARM, Bypass
4	1709908	1	SEAL
5	1709910	1	SET SCREW
6	1709915	2	ACTUATOR PIN
7	1709916	1	ARM, Brake
8	1709917	3	WASHER, 7/16 x 7/8 x 1/16
9	1709919	2	NUT, Hex, Lock, 5/16 x 24
10	1709920	1	SEAL, Lip
11	1709921	1	SEAL, Lip
12	1709922	1	RING, Retaining
13	1714431	1	CASTLE NUT, 5/16-24
14	1714737	2	PUCK, Dampener
15	1714738	1	ARM, Control
16	1714739	1	SPRING
17	1714740	1	SPACER
18	1714741	1	STUD, 5/16-24
19	1714808	1	SPRING, Helical Compression
20	1918447	1	COTTER PIN



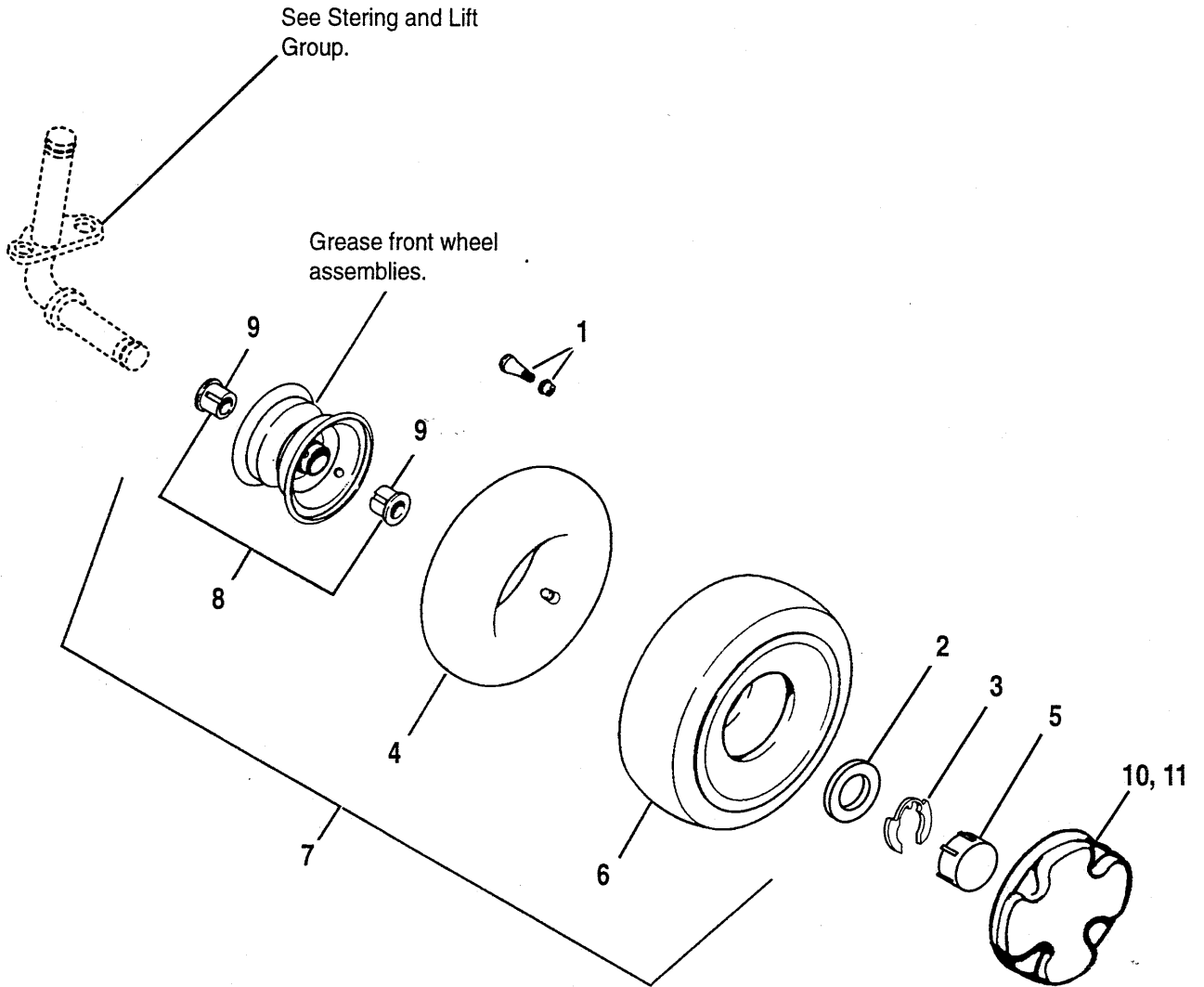
NOTE: Unless noted otherwise, use the standard hardware torque specification chart.

All Models**Electrical**

REF. NO.	PART NO.	QTY.	DESCRIPTION
1	122023	3	COVER, Terminal
2	153010	2	SPRING
3	161176	2	SPRING
4	934683	1	CLIP
5	1603618*	1	CABLE, Battery to Solenoid
6	1612103	1	TUBE, Vent
7	1665237	1	WIRE ASSY.
8	1665238	1	CIRCUIT BREAKER
9	1665872	1	STRAP, Battery
10	1667805	1	BRACE, Battery
11	1676648	1	GROMMET
12	1685215	1	BATTERY
13	1685290	1	SOLENOID
14	1701580	1	SWITCH, Neutral Start (Hydro model)
15	1704379	1	SWITCH, Seat
16	1704581	1	BATTERY CAP
17	1704873	2	CLAMP, Wire
18	1707056**	2	CABLE, Battery to Solenoid
19	1708552	1	PLATE, Seat Actuator
20	1708558	1	NEUTRAL SWITCH (Gear model)
21	1708644	1	WIRE ASSY., Neutral Switch (Gear model)
22	1708882	1	WIRE ASSY., PTO Clutch
23	1709086	1	BOOT, Insulator
24	1709088	1	CABLE, Solenoid to Starter
25	1709250	1	WIRE ASSY., Neutral Switch (Hydro model)
26	1713163*	1	CABLE, Battery, Ground
27	1713487	1	SWITCH, PTO, Electric Clutch
28	1713499	1	WIRING HARNESS
29	1713637**	1	ADAPTER PLUG, Engine
30	1713642	1	MODULE, Interlock
31	1713845	1	SWITCH, Ignition
32	1714054	2	KEY, Ignition
33	1714055	1	ADAPTER, Nut
34	1916622	2	NUT, Hex, 1/4-20
35	1916950	1	NUT, Hex, 3/8-16
36	1916964	2	LOCKWASHER, 1/4
37	1917356	2	LOCKWASHER, 5/16
38	1919438	2	NUT, Hex, Nylon Lock, 5/16-18
39	1920263	2	NUT, Hex, 5/16-24
40	1920427	1	LOCKWASHER, External Tooth, 3/8
41	1921319	2	WASHER, Plain
42	1922127	2	CAPSCREW, Hex Hd., 5/16-18 x 1-3/4
43	1923341	2	CAPSCREW, Hex Hd., 1/4-20 x 3/4
44	1924940	2	WASHER, Flat, 13/32 x 7/8 x 5/64
45	1925003	2	SCREW, Hex, Flange, Taptite, 1/4-20 x 1/2
46	1929477	2	SCREW, Taptite, #10-20 x 5/8 (Gear model)
47	1960547	1	WASHER, Internal Tooth, 5/8
Not shown	1701011	2	CABLE TIE
-Not shown	932747	3	CABLE TIE

* Not used on Mfg. Nos. 1692385, 1692399, 1692491.

** Used only on Mfg. Nos. 1692385, 1692399, 1692491.



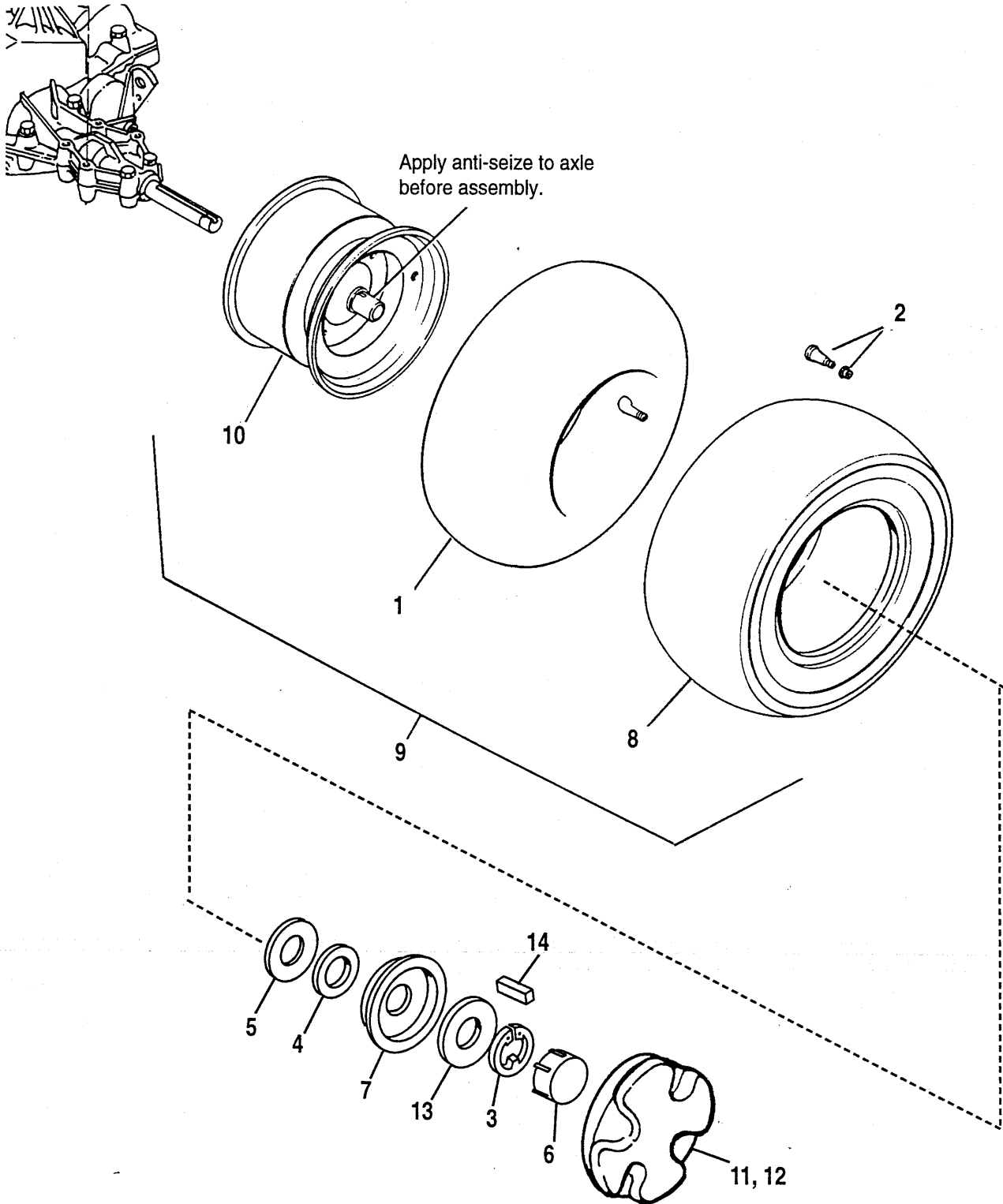
All Models

Front Wheels & Tires

REF. NO.	PART NO.	QTY.	DESCRIPTION
1	172353	2	VALVE STEM & CAP
2	960202	14	WASHER, 3/4 (Qty. 10 used on hydro models)
3	1611710	2	KLIP RING
4	1664090	2	TUBE, Front Wheel, 4.10/3.50 x 6
5	1673333*	2	CAP, Threaded
6	1709376	2	TIRE, Front Wheel, 13 x 5.00-6
7	1709382	2	FRONT WHEEL & TIRE ASSY., 13 x 5.00-6, Metallic Gray (Incl. Ref. Nos. 1, 4, 6 & 8)
8	1709383	2	FRONT WHEEL ASSY., 13 x 5.00-6, Metallic Gray (Incl. Ref. No. 9)
9	1713167	4	BUSHING, Metal, 7-21/32 I.D.
10	1714428**	2	HUB CAP, 6", Smooth
11	1714925**	2	HUB CAP, 6", Scalloped

* AGCO, Massey Ferguson & Export models.

** Simplicity models



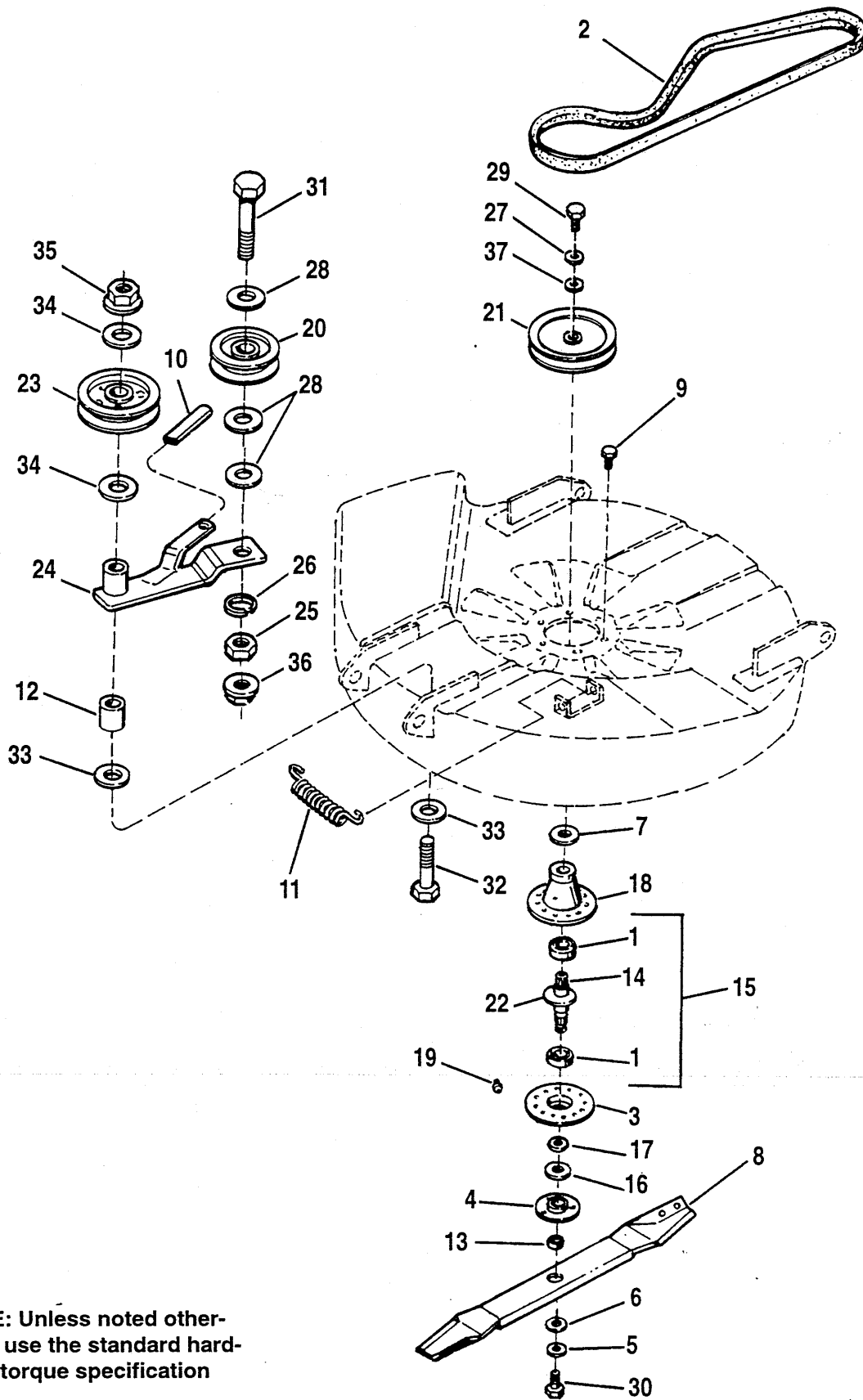
All Models

Rear Wheels & Tires

REF. NO.	PART NO.	QTY.	DESCRIPTION
1	164247	2	TUBE, Rear Wheel
2	172353	4	VALVE STEM & CAP
3	927794	2	"E" RING
4	960202	14	WASHER, 3/4 (Qty. 10 used on hydro models)
5	1663180	A/R	SPACER (Hydro models only)
6	1676519*	2	CAP, Threaded
7	1701435*	2	RETAINER, Cap
8	1709381	2	TIRE, Rear Wheel, 16 X 6.50-8
9	1709384	2	REAR WHEEL & TIRE ASSY. (Incl. Ref. Nos. 1, 2, 8 & 10)
10	1709385	2	REAR WHEEL ASSY., Metallic Gray
11	1714429**	2	HUB CAP, Smooth, 8"
12	1714926**	2	HUB CAP, Scalloped, 8"
13	1960114	2	WASHER, 3/4 I.D. x 1-1/16 O.D. x 1/16 Thk.
14	8221042	2	KEY, Square, 3/16 x 3/16 x 1-1/2 long

* AGCO, Massey Ferguson & Export models.

** Simplicity models.



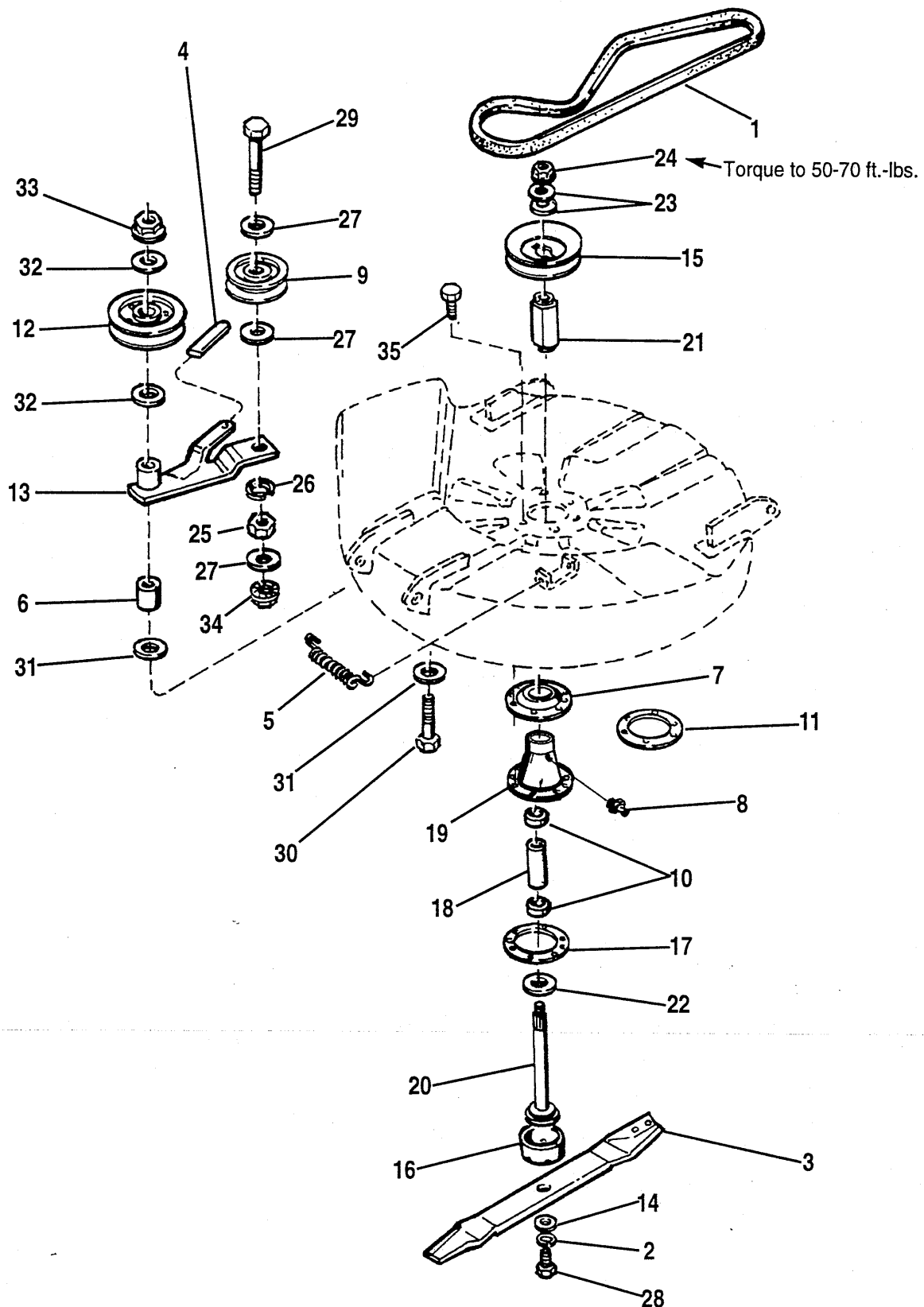
NOTE: Unless noted otherwise, use the standard hardware torque specification chart.

Mfg. Nos. 1692126, 1692172

30" Mower Deck - Drive & Arbor

REF. NO.	PART NO.	QTY.	DESCRIPTION
1	108202	2	BEARING
2	1651201	1	V-BELT, 73-7/64"
3	1655729	1	COVER, Arbor Housing
4	1655777	1	ADAPTOR, Blade
5	1656916	1	WASHER, Spring
6	1656927	1	WASHER, Spline
7	1657969	1	SHIELD, Grass, Upper
8	1664019	1	BLADE, Mower, 30"
9	1664847	6	SCREW, Taptite, 5/16-18 x 3/4
10	1665835	1	GRIP, Lever
11	1666786	1	SPRING
12	1669105	1	SPACER
13	1672132	1	COLLAR, Mower Arbor
14	1685245	1	SHAFT, Arbor (Incl. Ref. No. 13)
15	1685251	1	SHAFT & BEARING ASSY. (Incl. Ref. Nos. 1 & 14)
16	1700229	1	SHIELD, Grass, Bottom
17	1700230	1	WASHER, Shim
18	1703273	1	ARBOR HOUSING ASSY. (Incl. Ref. No. 19)
19	1704314	1	FITTING, Grease
20	1704926	1	IDLER, Backside
21	1707270	1	PULLEY ASSY., 7-55/64" Dia.
22	1707335	1	GASKET, Foam
23	1707435	1	PULLEY ASSY., Idler, 6" Dia.
24	1708562	1	LEVER ASSY.
25	1916950	1	NUT, Hex, 3/8
26	1916965	1	LOCKWASHER, 3/8
27	1918199	1	LOCKWASHER, 7/16
28	1922755	3	WASHER, Flat, 13/32 x 1 x 1/8
29	1923451	1	CAPSCREW, Hex Hd., 7/16-14 x 1-1/2, Gr. 8
30	1923491	1	CAPSCREW, Hex Hd., 7/16-14 x 1, Gr. 8
31	1923701	1	CAPSCREW, Hex Hd., 3/8-16 x 2
32	1923903	1	CAPSCREW, Hex, 3/8-16 x 3
33	1924356	2	WASHER, Flat, 3/8 x 1-1/2 x 1/8
34	1924940	2	WASHER, Plain, 3/8
35	1928352	1	NUT, Hex, Whizlock, 3/8-16
36	1928731	1	NUT, Hex, Top Lock, 3/8-16
37	1933263	1	WASHER

30" Mower Deck - Drive & Arbor



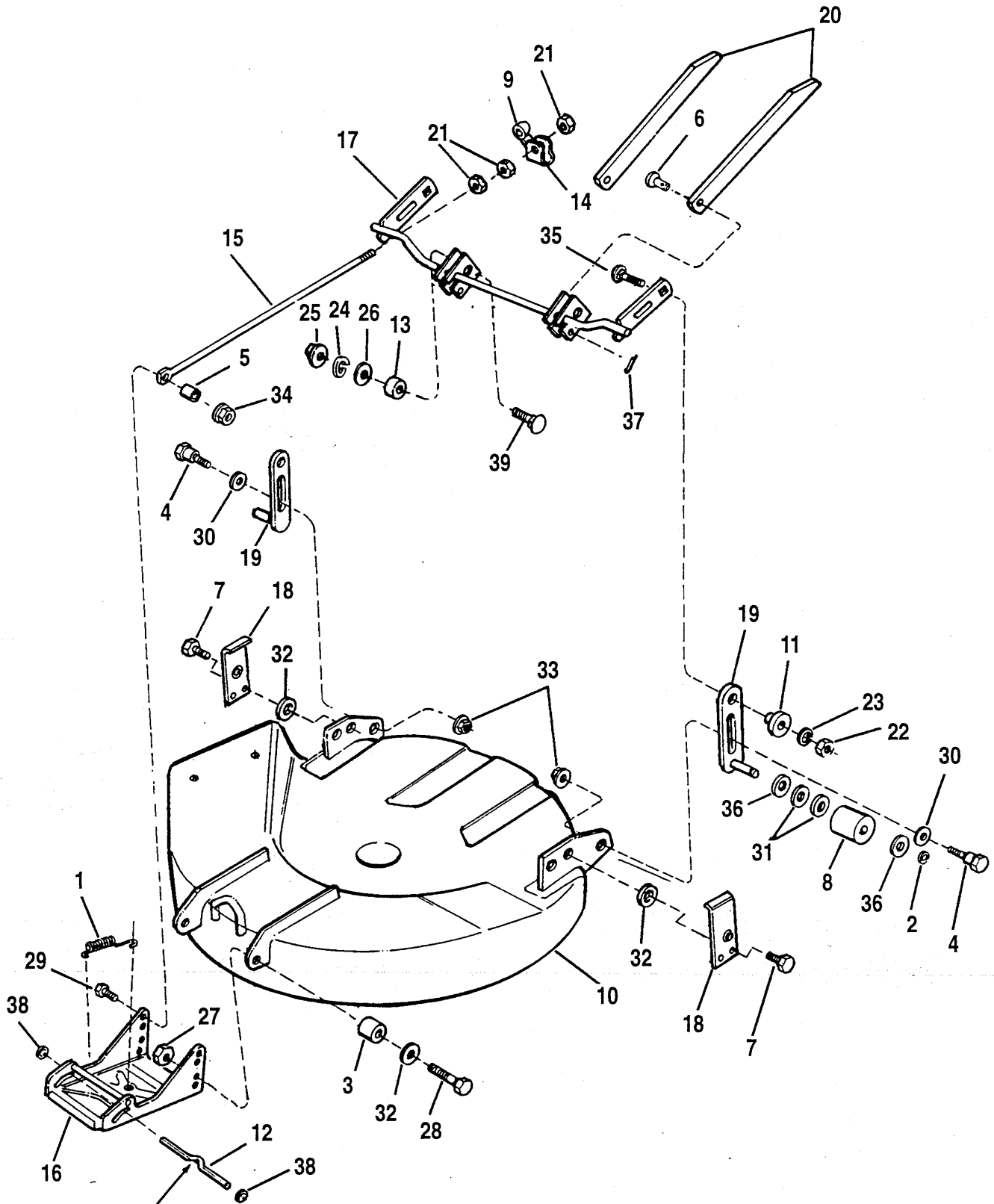
NOTE: Unless noted otherwise, use the standard hardware torque specification chart.

Mfg. Nos. 1692543, 1692544

30" Mower Deck - Drive & Arbor

REF. NO.	PART NO.	QTY.	DESCRIPTION
1	1651201	1	V-BELT, 73-7/64"
2	1656916	1	WASHER, Spring
3	1664019	1	BLADE, Mower, 30"
4	1665835	1	GRIP, Lever
5	1666786	1	SPRING
6	1669105	1	SPACER
7	1677274	1	ADAPTER, Arbor
8	1704314	1	FITTING, Grease
9	1704926	1	IDLER PULLEY, Backside
10	1705897	2	BEARING
11	1707335	1	GASKET, Foam
12	1707435	1	PULLEY ASSY., Idler, Fixed, 6" Dia.
13	1708562	1	LEVER ASSY.
14	1713089	1	WASHER, Hex
15	1713092	1	PULLEY
16	1713196	1	SHIELD, Grass, Lower
17	1713199	1	COVER, Arbor Housing
18	1713204	1	SPACER
19	1713338	1	ARBOR HOUSING ASSY. (Incl. Ref. No. 8)
20	1713609	1	SHAFT, Arbor, 5-53/64"
21	1713613	1	HUB, Pulley, 1-3/16"
22	1713619	1	WASHER, Cupped
23	1713675	2	WASHER, Belleville
24	1714419	1	NUT, Hex, Flange, 9/16-18
25	1916950	1	NUT, Hex, 3/8
26	1916965	1	LOCKWASHER, 3/8
27	1922755	3	WASHER, Flat, 13/32 x 1 x 1/8
28	1923491	1	CAPSCREW, Hex, 7/16-14 x 1, Gr. 8
29	1923701	1	CAPSCREW, Hex, 3/8-16 x 2
30	1923903	1	CAPSCREW, Hex, 3/8-16 x 3
31	1924356	2	WASHER, Flat, 3/8 x 1-1/2 x 1/8
32	1924940	2	WASHER, Plain, 3/8
33	1928352	1	NUT, Hex, Whizlock, 3/8-16
34	1928731	1	NUT, Hex, Lock, 3/8-16
35	1960373	6	SCREW, Hex, Taptite, 5/16-18 x 1

30" Mower Deck - Housing, Hitch & Height Adjustment

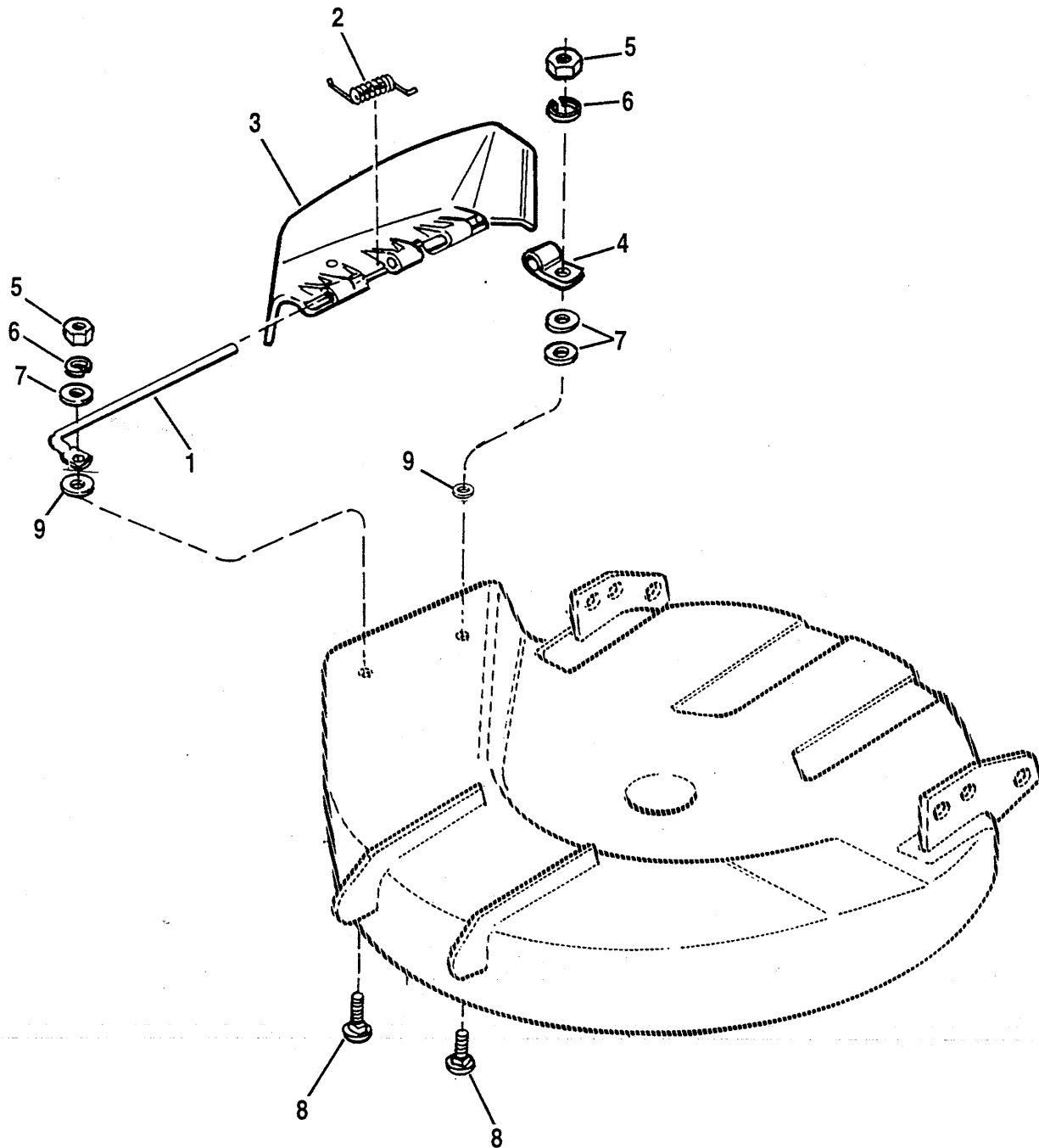


When assembled, attach spring (1) here.

Mfg. Nos. 1692126, 1692172, 1692543, 1692544

30" Mower Deck - Housing, Hitch & Height Adjustment

REF. NO.	PART NO.	QTY.	DESCRIPTION
1	106681	1	SPRING
2	153124	2	RING, Retaining
3	157081	2	SPACER
4	172622	2	BOLT, Shoulder
5	1611705	1	SPACER
6	1655651	2	PIN, Locking
7	1664847	4	SCREW, Taptite, 5/16-18 x 3/4
8	1668487	2	ROLLER
9	1671260	1	SPACER
10	1685670	1	HOUSING ASSY., 30" (Orange)
	61685670	1	HOUSING ASSY., 30" (Black)
11	1704082	2	NUT, Adjustment
12	1704129	1	ROD, Latch, Hitch
13	1705249	2	SPACER
14	1707280	1	TRUNNION
15	1707300	1	ROD, Adjustment
16	1707432	1	HITCH ASSY.
17	1707540	1	ARM ASSY., Mower
18	1708250	2	PLATE, Pivot Support
19	1708519	2	SUPPORT ASSY., Roller
20	1709209	2	BAR, Mower Transport
21	1913744	3	JAMNUT, Hex, 1/2-13
22	1916950	2	NUT, Hex, 3/8-16
23	1916965	2	LOCKWASHER
24	1917356	2	LOCKWASHER, 5/16
25	1917372	2	NUT, Hex, 5/16-18
26	1919326	2	WASHER, Flat, 5/16
27	1919439	2	LOCKNUT, Hex, 3/8-16
28	1920415	2	CAPSCREW, Hex, 3/8-16 x 1-1/4
29	1921210	1	CAPSCREW, Hex Hd., 3/8-16 x 1
30	1924361	2	WASHER, Flat
31	1924366	4	WASHER, Plain, 21/32 x 1-1/8 x 7/64
32	1924940	4	WASHER, Flat, 3/8
33	1928352	2	NUT, Hex, Flange, Whizlock, 3/8-16
34	1930645	1	NUT, Hex, Flange Lock, 3/8
35	1931352	2	CARRIAGE BOLT, 3/8-16 x 1-1/2
36	1960020	4	WASHER, 21/32 x 1-1/8 x 1/16
37	1960074	2	PIN, Retaining
38	1960093	2	PUSHNUT
39	1960223	2	CARRIAGE BOLT, 5/15-18 x 1-1/4



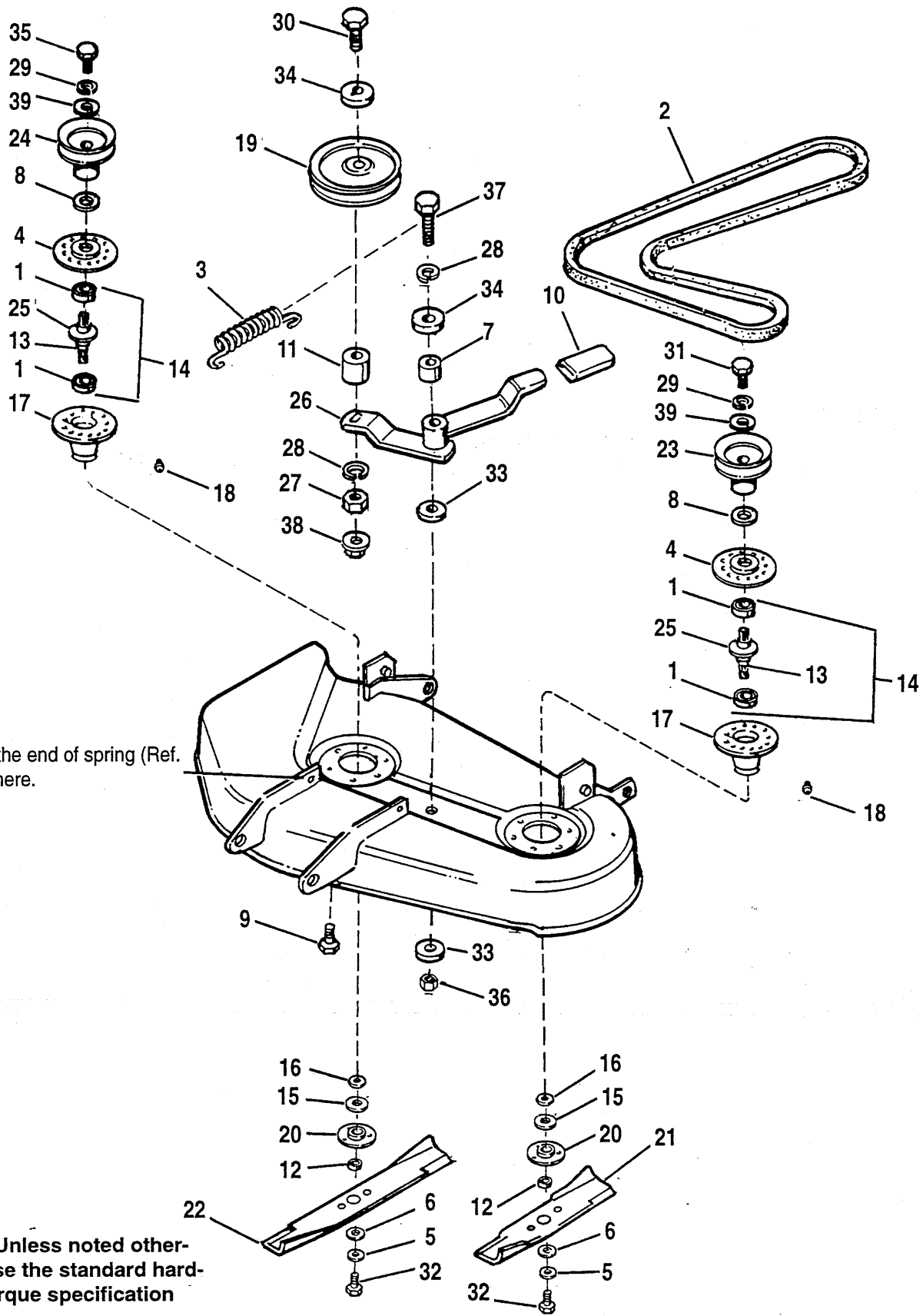
NOTE: Unless noted otherwise, use the standard hardware torque specification chart.

Mfg. Nos. 1692126, 1692172, 1692543, 1692544

30" Mower Deck - Deflector

REF. NO.	PART NO.	QTY.	DESCRIPTION
1	1664947	1	ROD, Deflector
2	1664953	1	SPRING
3	1665036	1	DEFECTOR, Plastic
4	1704873	1	CLAMP
5	1916622	2	NUT, Hex, 1/4-20
6	1916964	2	LOCKWASHER, 1/4
7	1921319	3	WASHER, Plain
8	1931317	2	CARRIAGE BOLT, 1/4-20 x 1-1/4
9	1960518	2	PUSHNUT, 1/4

34" Mower Deck - Drive & Arbors

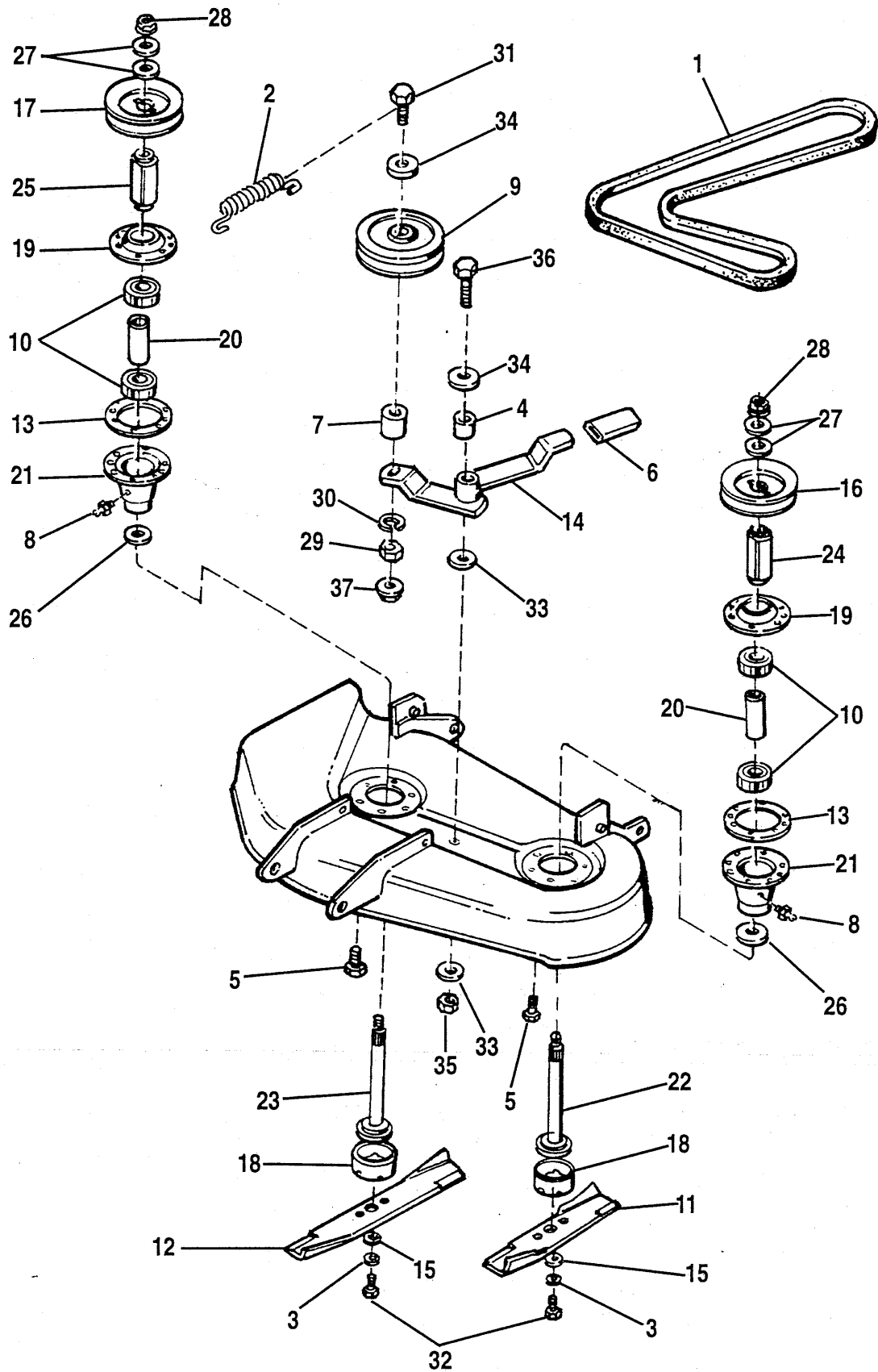


Mfg. Nos. 1692128, 1692174

34" Mower Deck - Drive & Arbors

REF. NO.	PART NO.	QTY.	DESCRIPTION
1	108202	4	BEARING
2	108209	1	V-BELT, 82-7/64"
3	164213	1	SPRING
4	1655729	2	COVER, Arbor Housing
5	1656916	2	WASHER, Spring
6	1656927	2	WASHER, Spline
7	1657242	1	SPACER
8	1657969	2	SHIELD, Grass, Upper
9	1664847	12	SCREW, Taptite, 5/16-18 x 3/4
10	1665835	1	GRIP, Lever
11	1667812	1	SPACER
12	1672132	2	COLLAR, Mower Arbor
13	1685245	2	SHAFT, Arbor
14	1685251	2	SHAFT & BEARING ASSY., (Incl. Ref. Nos. 1 & 13)
15	1700229	2	SHIELD, Grass, Bottom
16	1700230	12	WASHER, Shim
17	1703273	2	ARBOR HOUSING ASSY. (Incl. Ref. No. 18)
18	1704314	2	FITTING, Grease
19	1704926	1	IDLER, Backside
20	1705010	2	ADAPTOR, Blade
21	1706737	1	BLADE, Mower, Small (14-27/64")
22	1706738	1	BLADE, Mower, Large (19-3/16")
23	1707310	1	PULLEY ASSY., Small Blade
24	1707323	1	PULLEY ASSY., Large Blade
25	1707335	2	GASKET, Foam
26	1708561	1	LEVER ASSY.
27	1916950	1	NUT, Hex, 3/8-16
28	1916965	2	LOCKWASHER, 3/8
29	1918199	2	LOCKWASHER, 7/16
30	1921972	1	CAPSCREW, Hex Hd., 3/8-16 x 2-1/2
31	1923471	1	CAPSCREW, Hex Hd., 7/16-14 x 1-1/4, Gr. 8
32	1923491	2	CAPSCREW, Hex Hd., 7/16-14 x 1, Gr. 8
33	1924356	2	WASHER, Flat, 3/8 x 1/8
34	1924940	2	WASHER, Flat, 3/8
35	1927531	1	CAPSCREW, Hex Hd., 7/16-14 x 2, Gr. 8
36	1928352	1	NUT, Hex, 3/8-16
37	1928957	1	CAPSCREW, Hex Hd., 3/8-16 x 2-3/4
38	1930645	1	NUT, Hex, Flange Lock, 3/8-16
39	1933263	2	WASHER

34" Mower Deck - Drive & Arbors

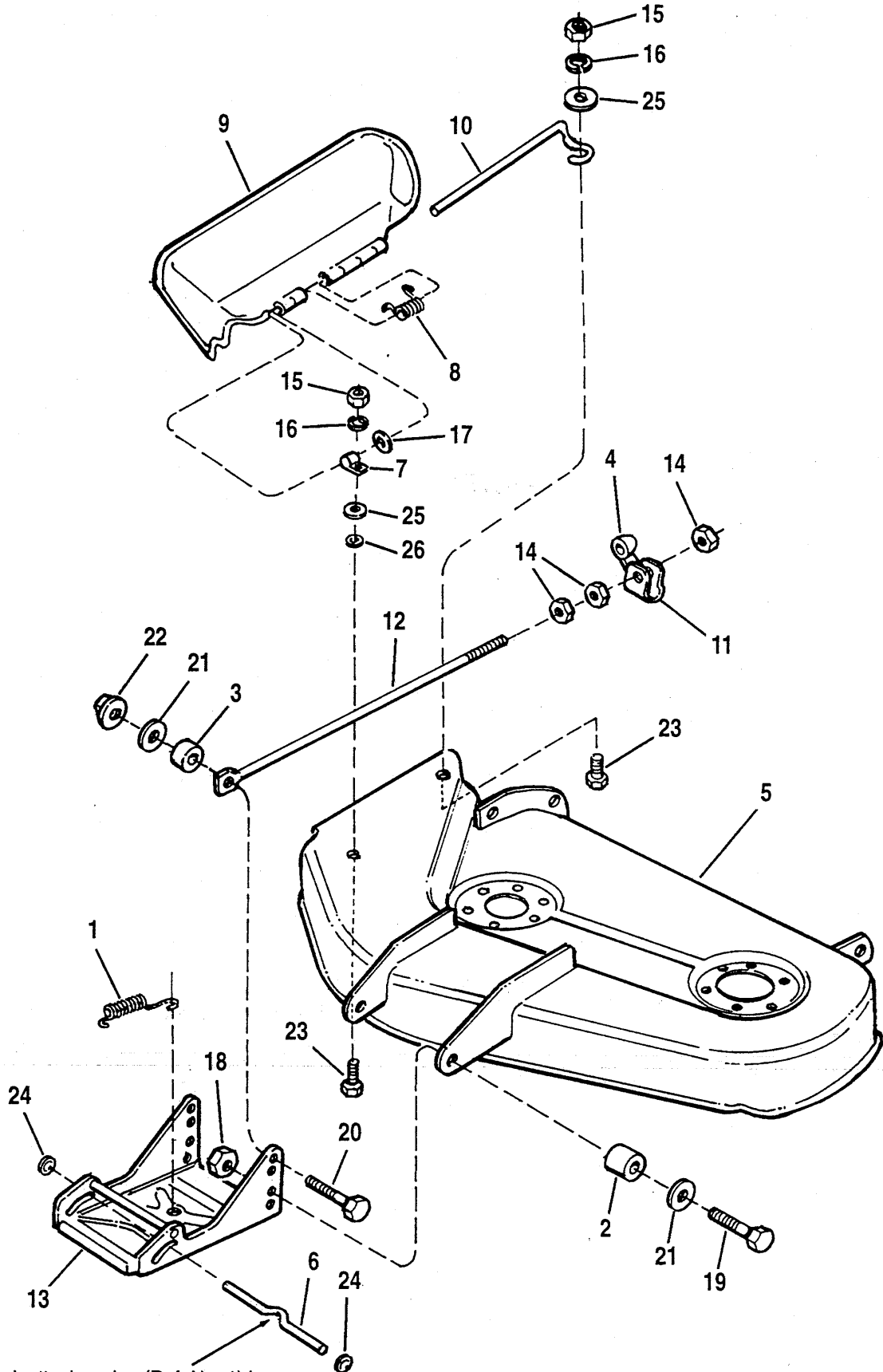


Mfg. Nos. 1692545, 1692546

34" Mower Deck - Drive & Arbors

REF. NO.	PART NO.	QTY.	DESCRIPTION
1	108209	1	V-BELT, 82-7/64"
2	164213	1	SPRING
3	1656916	2	WASHER, Spring
4	1657242	1	SPACER
5	1664847	12	SCREW, Taptite, 5/16-18 x 3/4
6	1665835	1	GRIP, Lever
7	1667812	1	SPACER
8	1704314	2	FITTING, Grease
9	1704926	1	PULLEY, Idler, Backside
10	1705897	4	BEARING
11	1706737	1	BLADE, 14-27/64"
12	1706738	1	BLADE, 19-29/32"
13	1707335	2	GASKET, Foam
14	1708561	1	LEVER ASSY.
15	1713089	2	WASHER, Hex
16	1713090	1	PULLEY, 3-3/4"
17	1713091	1	PULLEY, 5"
18	1713196	2	SHIELD, Grass, Lower
19	1713199	2	COVER, Arbor Housing Assy.
20	1713204	2	SPACER
21	1713338	2	ARBOR HOUSING ASSY. (Incl. Ref. No. 8)
22	1713609	1	SHAFT, Arbor, 5-53/64"
23	1713610	1	SHAFT, Arbor, 6-33/64"
24	1713613	1	HUB, Pulley, 1-3/16"
25	1713614	1	HUB, Pulley, 1-35/64"
26	1713619	2	WASHER
27	1713675	4	WASHER, Belleville
28	1714419	2	NUT, Hex, Flange, 9/16-18
29	1916950	1	NUT, Hex, 3/8-16
30	1916965	1	LOCKWASHER, 3/8
31	1921972	1	CAPSCREW, 3/8-16 x 2-1/2
32	1923491	2	CAPSCREW, Hex, 7/16-14 x 1, Gr. 8
33	1924356	2	WASHER, Flat, 3/8
34	1924940	2	WASHER, Flat, 3/8
35	1928352	1	NUT, Hex, 3/8-16
36	1928957	1	CAPSCREW, Hex, 3/8-16 x 2-3/4
37	1930645	1	NUT, Hex, Flange, 2-Way, 3/8-16

34" Mower Deck - Housing, Hitch & Deflector



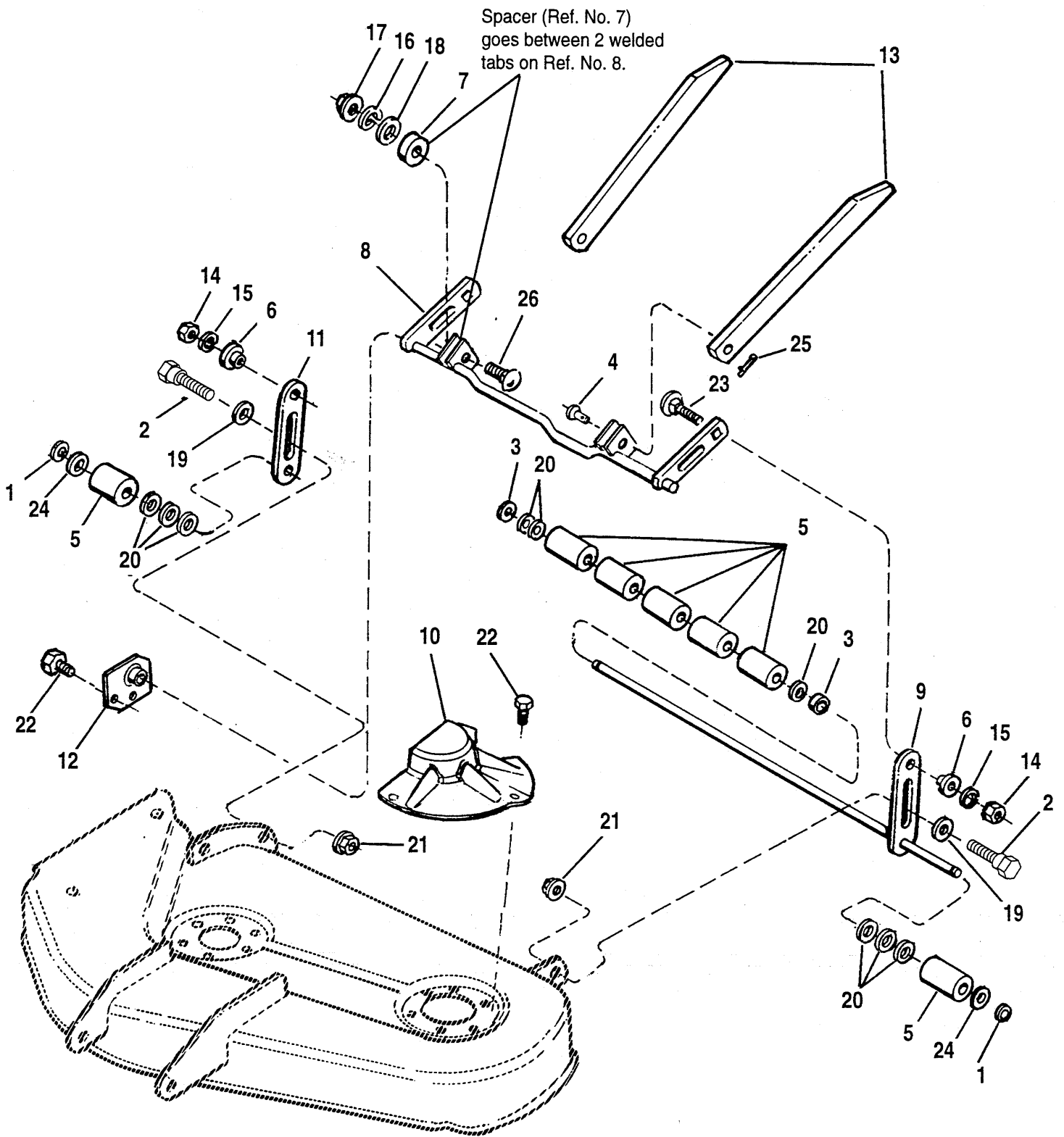
When assembled, attach spring (Ref. No. 1) here.

Mfg. Nos. 1692128, 1692174, 1692545, 1692546

34" Mower Deck - Housing, Hitch & Deflector

REF. NO.	PART NO.	QTY.	DESCRIPTION
1	106681	1	SPRING
2	157081	2	SPACER
3	1611705	1	SPACER
4	1671260	1	SPACER
5	1685672	1	HOUSING ASSY., 34" (Orange)
	61685672	1	HOUSING ASSY., 34" (Black)
6	1704129	1	ROD, Latch, Hitch
7	1704873	1	CLAMP
8	1705080	1	SPRING
9	1705449	1	DEFLECTOR, Plastic
10	1706709	1	ROD, Deflector
11	1707280	1	TRUNNION
12	1707300	1	ROD, Adjustment
13	1707432	1	HITCH ASSY.
14	1913744	3	JAMNUT, Hex, 1/2-13
15	1916622	2	NUT, Hex, 1/4-20
16	1916964	2	LOCKWASHER, 1/4
17	1919326	1	WASHER, Flat, 5/16
18	1919439	2	LOCKNUT, Hex, 3/8-16
19	1920415	2	CAPSCREW, Hex Hd., 3/8-16 x 1-1/4
20	1921210	1	CAPSCREW, Hex Hd., 3/8-16 x 1
21	1924940	3	WASHER, Flat, 3/8
22	1930645	1	NUT, Hex, Flange Lock, 3/8-16
23	1931318	2	CARRIAGE BOLT, 1/4-20 x 7/8
24	1960093	2	PUSHNUT
25	1960353	2	WASHER, Flat, 17/64 x 27/32 x 1/8
26	1960518	1	PUSHNUT

34" Mower Deck - Height Adjustment

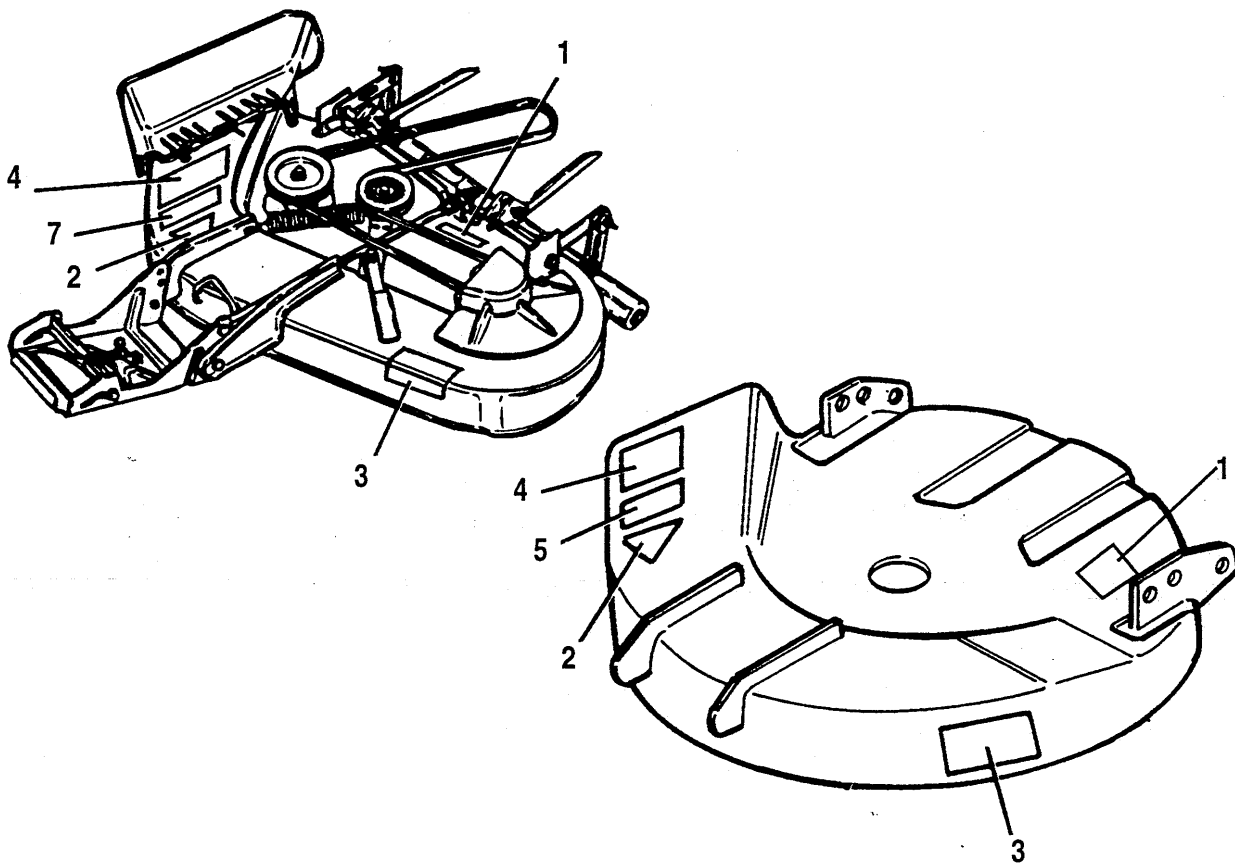
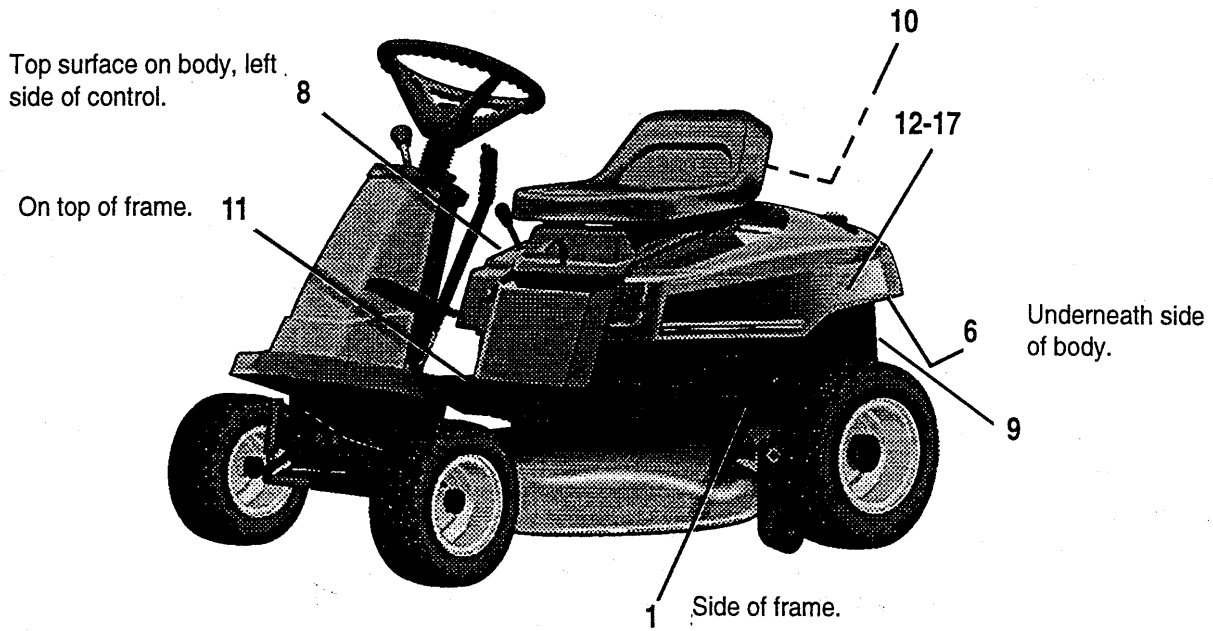


NOTE: Unless noted otherwise, use the standard hardware torque specification chart.

Mfg. Nos. 1692128, 1692174, 1692545, 1692546

34" Mower Deck - Height Adjustment

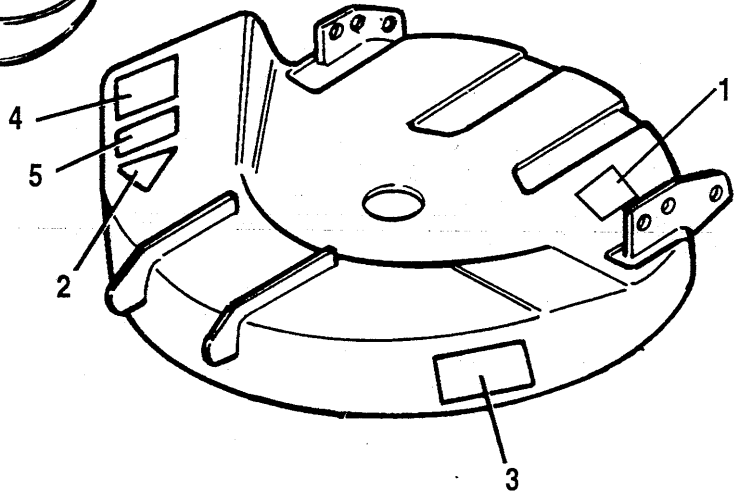
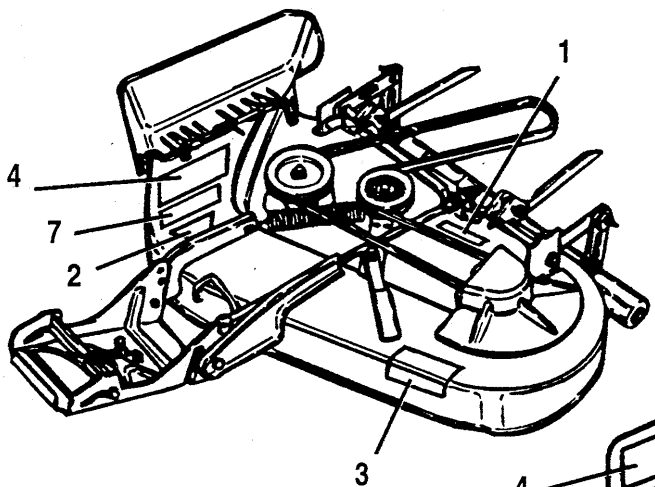
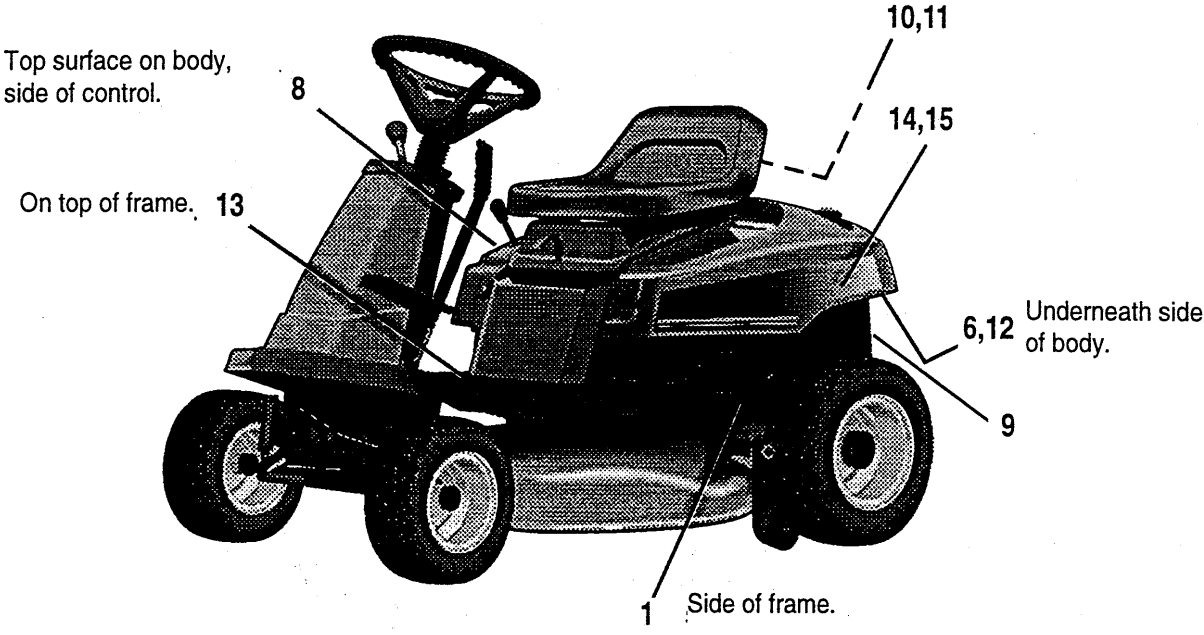
REF. NO.	PART NO.	QTY.	DESCRIPTION
1	153124	2	RING, Retaining
2	172622	2	BOLT, Shoulder, 3/8-16
3	1602946	2	SPACER, Roller
4	1655651	2	PIN, Locking
5	1668513	7	ROLLER
6	1704082	2	NUT, Adjustment
7	1705249	2	SPACER
8	1707286	1	ARM ASSY.
9	1707292	1	SHAFT ASSY., Roller
10	1707567	1	COVER, Arbor
11	1708520	1	BRACKET, Roller Bar, 34"
12	1708564	1	PLATE, Support, RH
13	1709209	2	BAR, Mower Transport
14	1916950	2	NUT, Hex, 3/8
15	1916965	2	LOCKWASHER, 3/8
16	1917356	2	LOCKWASHER, 5/16
17	1917372	1	NUT, Hex, 5/16-18
18	1919326	2	WASHER, Plain, 5/16
19	1924361	2	WASHER, Flat, 1/2
20	1924366	10	WASHER, Flat, 5/8
21	1928352	2	NUT, Flange Lock, 3/8
22	1930601	5	SCREW, Taptite, 5/16-18-5/8
23	1931352	2	CARRIAGE BOLT, 3/8-16 x 1-1/2
24	1960020	2	WASHER, Plain, 21/32 x 1-1/4 x 1/16
25	1960074	2	PIN, Retaining
26	1960223	2	CARRIAGE BOLT, 5/16-18 x 1-1/4



Mfg. Nos. 1692380, 1692382, 1692385, 1692387, 1692389, 1692392, 1692515, 1692517

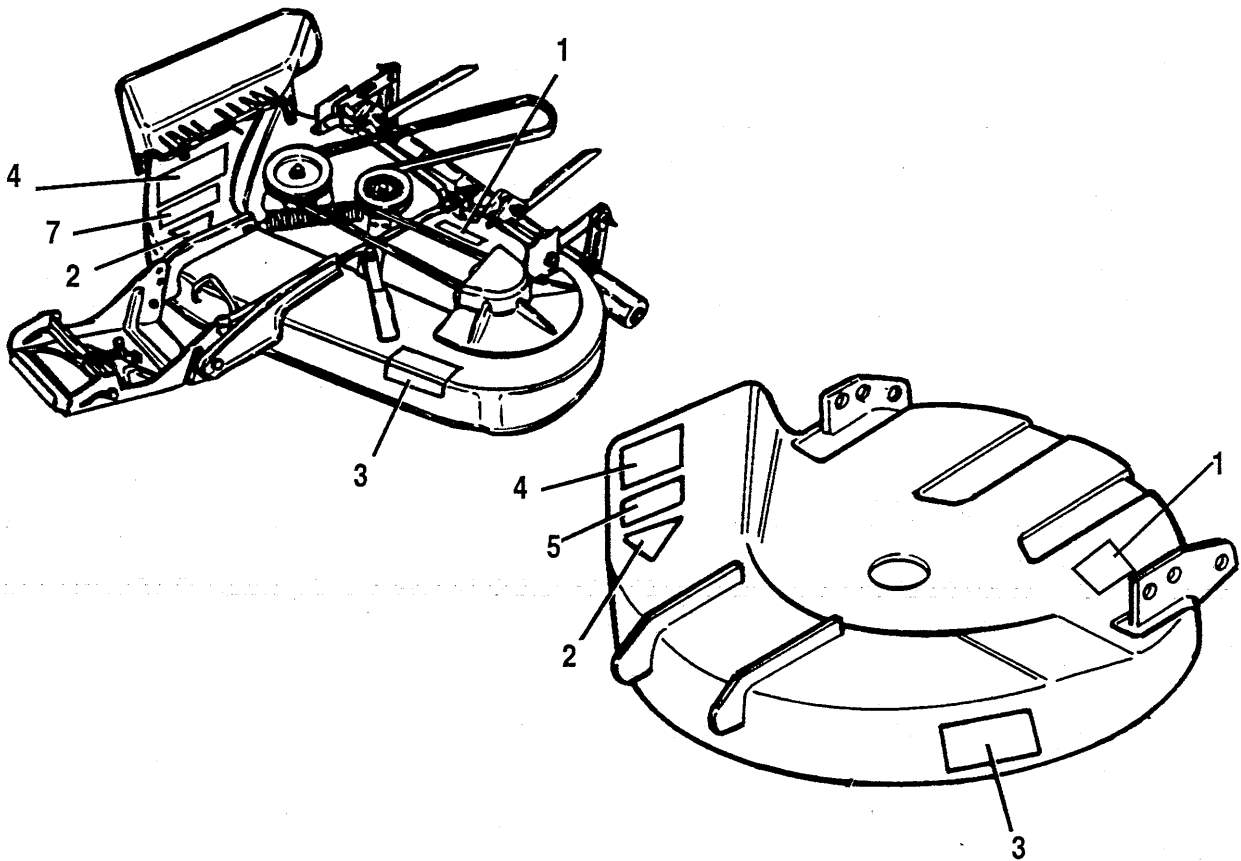
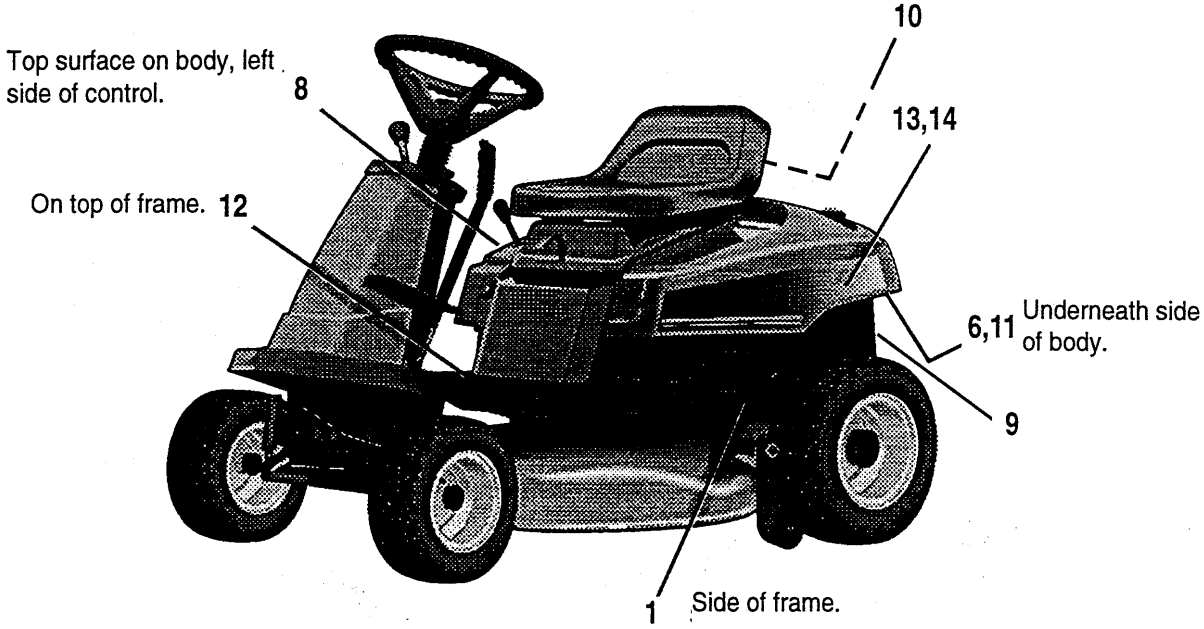
Decals - Simplicity

REF. NO.	PART NO.	QTY.	DESCRIPTION
1		1	I.D. PLATE (Not Serviced)
2		1	DECAL, OPEI (Not Serviced)
3	1704276	1	DECAL, Danger (Hand Under Deck)
4	1704277	1	DECAL, Danger (Chute In Place)
5	1706037	1	DECAL, Cutting Width - 30"
6	1708639	1	DECAL, Belt & Blade Replacement
7	1708877	1	DECAL, Cutting Width - 34"
8	1708880	1	DECAL, Throttle/Choke
9	1708918	1	DECAL, Transmission Release Valve (Hydro models only)
10	1708927	1	DECAL, USA (Seat back)
11	1713490	1	DECAL, Operating Instructions
12	1713961	2	DECAL, Model, Coronet 9 - 5 Speed
13	1713963	2	DECAL, Model, Coronet 12 - Hydro
14	1713962	2	DECAL, Model, Coronet, 12 - 5 Speed
15	1713964	1	DECAL, Seat Deck Stripe, RH
16	1713965	1	DECAL, Seat Deck Stripe, LH
17	1714448	2	DECAL, Model, Coronet, 13 - Hydro



Decals - AGCO Allis

REF. NO.	PART NO.	QTY.	DESCRIPTION
1		1	I.D. PLATE (Not Serviced)
2		1	DECAL, OPEI (Not Serviced)
3	1704276	1	DECAL, Danger (Hand Under Deck)
4	1704277	1	DECAL, Danger (Chute In Place)
5	1706037	1	DECAL, Cutting Width - 30"
6	1708639	1	DECAL, Belt & Blade Replacement
7	1708877	1	DECAL, Cutting Width - 34"
8	1708880	1	DECAL, Throttle/Choke
9	1708918	1	DECAL, Transmission Release Valve (Hydro models only)
10	1708926	2	DECAL, Logo, AGCO Allis
11	1708927	1	DECAL, USA (Seat back)
12	1709061	1	DECAL, Touch-up Paint
13	1713490	1	DECAL, Operating Instructions
14	1708899	1	DECAL, Seat Deck, LH (409G)
	1708901	1	DECAL, Seat Deck, LH (412G)
	1708903	1	DECAL, Seat Deck, LH (412H)
	1714455	1	DECAL, Seat Deck, LH (413H)
15	1708900	1	DECAL, Seat Deck, RH (409G)
	1708902	1	DECAL, Seat Deck, RH (412G)
	1708904	1	DECAL, Seat Deck, RH (412H)
	1714456	1	DECAL, Seat Deck, RH (413H)

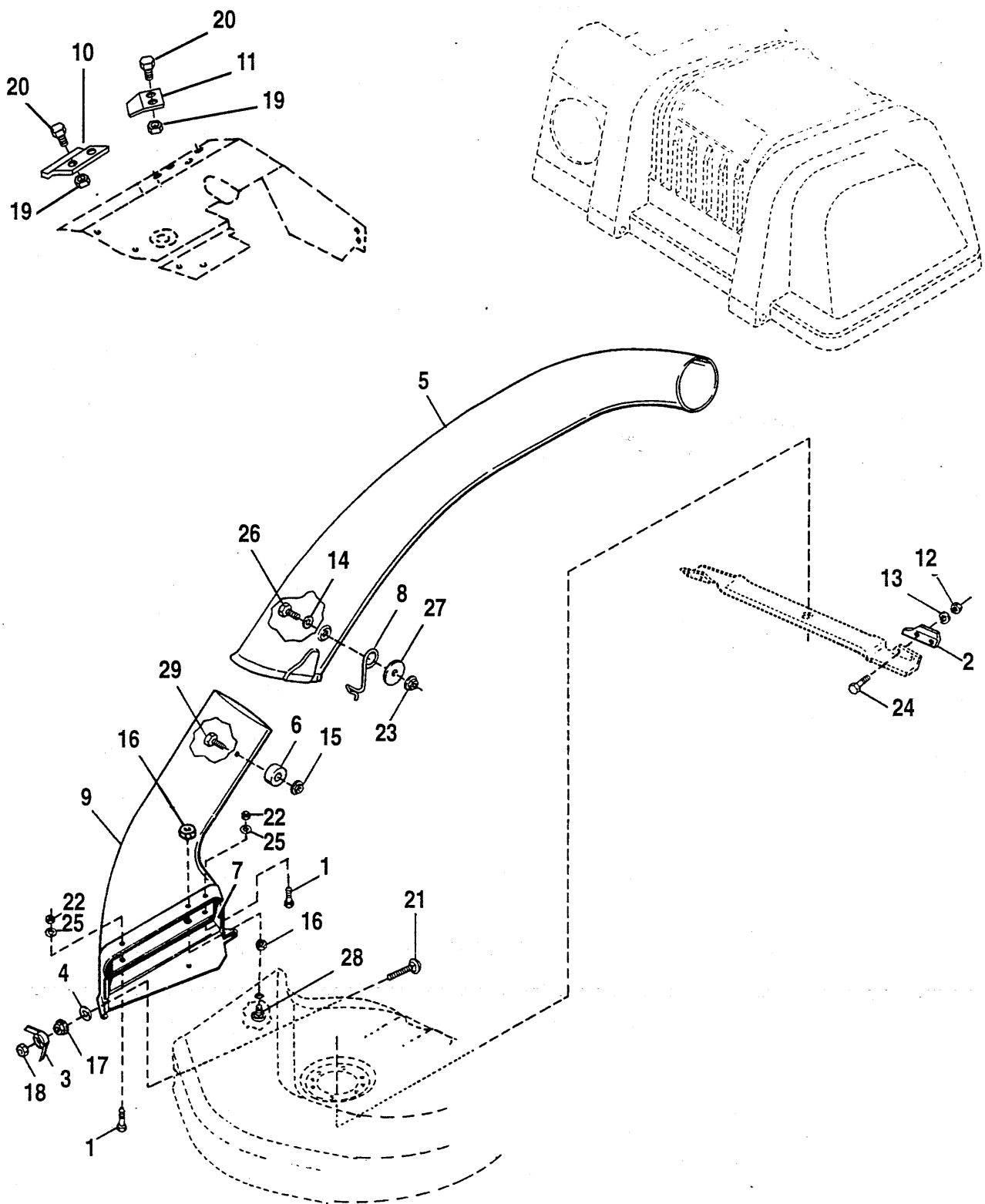


Mfg. Nos. 1692489, 1692491

Decals - Massey Ferguson

REF. NO.	PART NO.	QTY.	DESCRIPTION
1		1	I.D. PLATE (Not Serviced)
2		1	DECAL, OPEI (Not Serviced)
3	1704276	1	DECAL, Danger (Hand Under Deck)
4	1704277	1	DECAL, Danger (Chute In Place)
5	1706037	1	DECAL, Cutting Width - 30"
6	1708639	1	DECAL, Belt & Blade Replacement
7	1708877	1	DECAL, Cutting Width - 34"
8	1708880	1	DECAL, Throttle/Choke
9	1708918	1	DECAL, Transmission Release Valve (Hydro models only)
10	1708927	1	DECAL, USA (Seat back)
11	1709061	1	DECAL, Touch-up Paint
12	1713490	1	DECAL, Operating Instructions
13	1714364	1	DECAL, Seat Deck, LH (2409G)
	1714366	1	DECAL, Seat Deck, LH (2412H)
14	1714365	1	DECAL, Seat Deck, RH (2409G)
	1714367	1	DECAL, Seat Deck, RH (2412H)

30" Twin Bag Catcher - Adapter & Tube



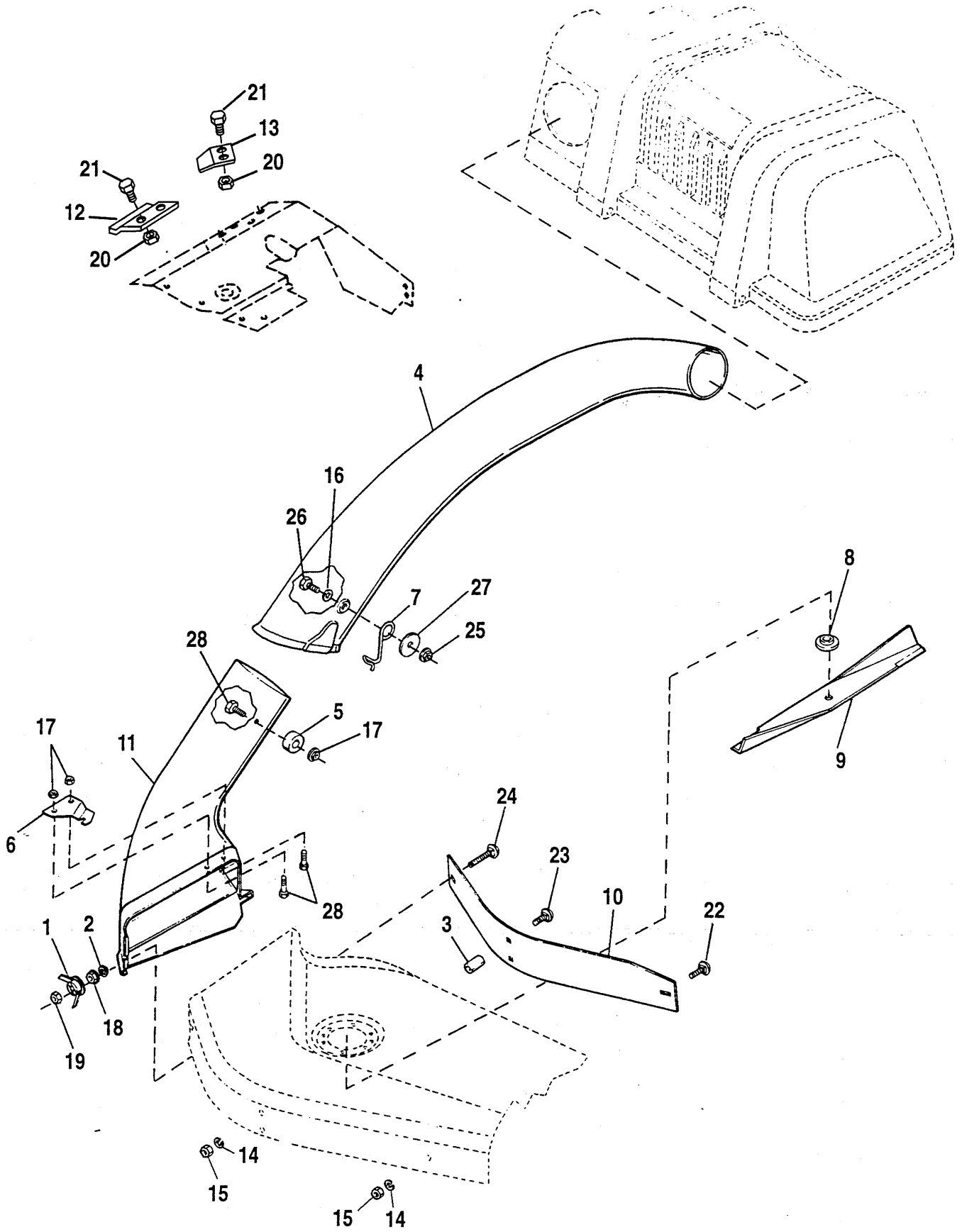
Mfg. No. 1692149

30" Twin Bag Catcher - Adapter & Tube

REF. NO.	PART NO.	QTY.	DESCRIPTION
1	926267	2	SCREW, Flat Hd., #10-24 x 5/8
2	1665419	2	LIFT PLATE
3	1679163	1	WING NUT ASSY., 5/16
4	1679164	1	CUP
5	1703769	1	TRANSFER TUBE
6	1704341	1	WASHER, Special, 11/32 x 7/8 x 1-3/4
7	1704356	1	STRAP, Reinforcement
8	1704603	1	LATCH, Tube
9	1709134	1	ADAPTER, 30" Mower
10	1713286*	1	EXHAUST SHIELD, Front
11	1713287*	1	EXHAUST SHIELD, Rear
12	1916622	4	NUT, Hex, 1/4-20
13	1916964	4	LOCKWASHER, Spring, 1/4
14	1919326	1	WASHER, Flat, 5/16
15	1919438	1	NUT, Hex, Esna Lock, 5/16-18
16	1920161	2	NUT, Hex, Jam, 5/16-18
17	1927557	1	NUT, Hex, Flange, 5/16-18
18	1928698	1	NUT, Hex, Centerlock, 5/16-18
19	1928919*	4	NUT & WASHER ASSY., Hex, 10-32
20	1930531*	4	SCREW, Truss Hd., 10-32 x 1/2
21	1931339	1	CARRIAGE BOLT, 5/16-18 x 2
22	1933896	2	NUT, Hex Hd., #10-24
23	1935048	1	NUT, Flange Lock, 5/16-18
24	1935105	4	CAPSCREW, 1/4-20 x 5/8, Gr.8
25	1960096	2	WASHER, Flat, 3/16
26	1960122	1	CAPSCREW, Hex Hd., 5/16-18 x 3/4
27	1960185	1	WASHER, Flat, 5/16
28	1960223	1	BOLT, 5/16-18 X 1-1/4
29	1960371	1	CAPSCREW, Hex Hd., 5/16-18 x 3/4

* Not required on models equipped with 12 HP Tecumseh engine,
Mfg. Nos. 1692515, 1692517 & 1692519.

34" Twin Bag Catcher - Adapter, Blade & Tube



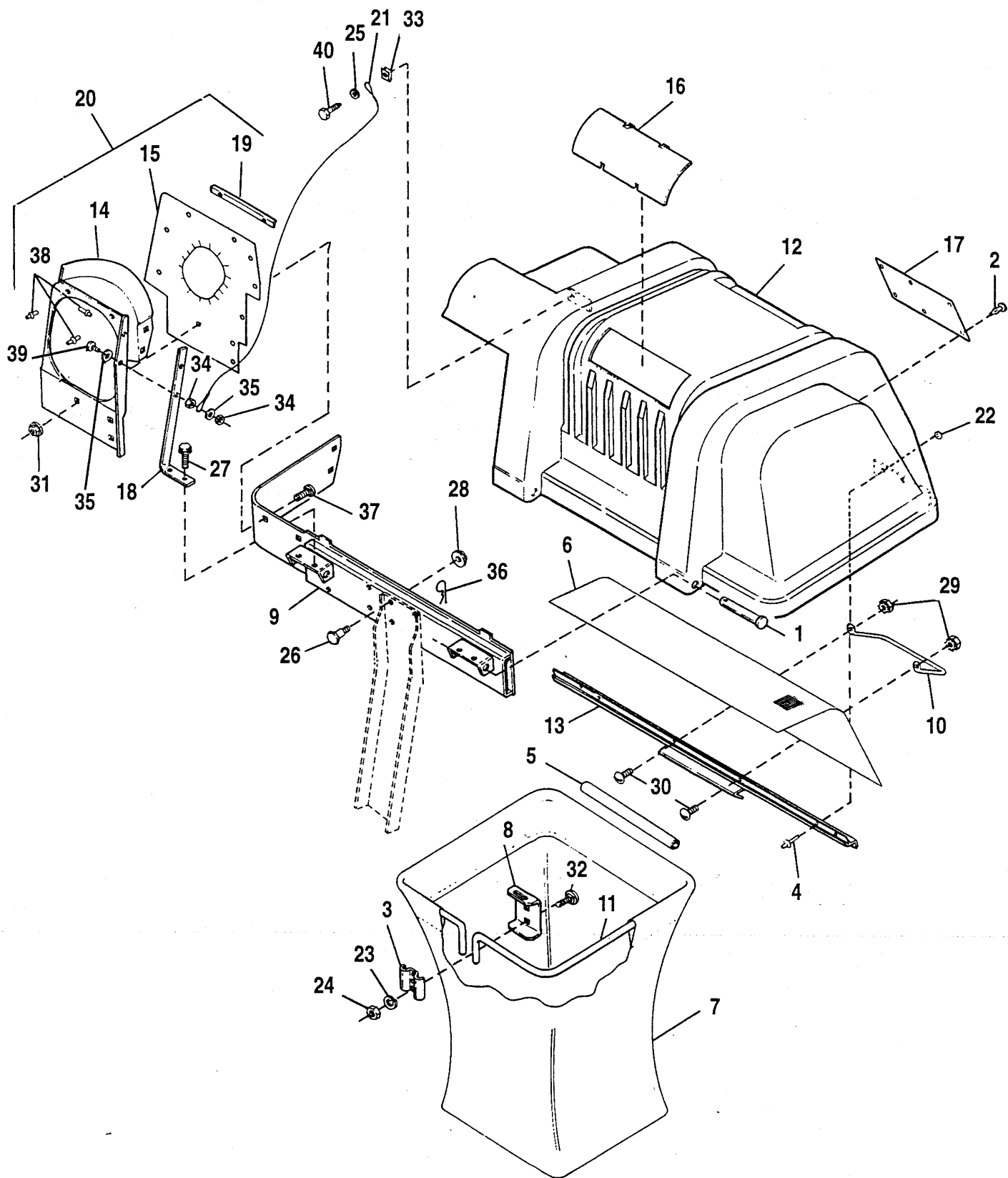
Mfg. No. 1692150

34" Twin Bag Catcher - Adapter, Blade & Tube

REF. NO.	PART NO.	QTY.	DESCRIPTION
1	1679163	1	WING NUT ASSEMBLY, 5/16
2	1679164	1	CUP
3	1702665	2	SPACER
4	1703769	1	TUBE, Transfer
5	1704341	1	WASHER, Special, 11/32 x 7/8 x 1-3/4
6	1704355	1	BRACKET, Attachment
7	1704603	1	LATCH, Tube
8	1705010	1	ADAPTER, Blade, High Lift
9	1706739	1	BLADE, High Lift, 34" Mower
10	1709112	1	BAFFLE, 34" Mower
11	1709135	1	ADAPTER, 34" Mower
12	1713286*	1	EXHAUST SHIELD, Front
13	1713287*	1	EXHAUST SHIELD, Rear
14	1917356	3	LOCKWASHER, 5/16
15	1917372	3	NUT, Hex, 5/16-18
16	1919326	1	WASHER, Flat, 5/16
17	1919438	3	NUT, Esna Hex Lock, 5/16-18
18	1927557	1	NUT, Hex Flange, 5/16-18
19	1928698	1	NUT, Centerlock, 5/16-18
20	1928919*	4	NUT & WASHER ASSY., Hex 10-32
21	1930531*	4	SCREW, Truss Hd., 10-32 x 1/2
22	1931332	1	CARRIAGE BOLT, 5/16-18 x 5/8
23	1931338	2	CARRIAGE BOLT, 5/16-18 x 1-3/4
24	1931339	1	CARRIAGE BOLT, 5/16-18 x 2
25	1935048	1	NUT, Flange Lock, 5/16-18
26	1960122	1	CAPSCREW, Hex Hd., 5/16-18 x 3/4
27	1960185	1	WASHER, Flat, 5/16
28	1960371	3	CAPSCREW, Hex Hd., 5/16-18 x 3/4

*Not required on models equipped with 12 HP Tecumseh engine,
Mfg. Nos. 1692515, 1692517 & 1692519.

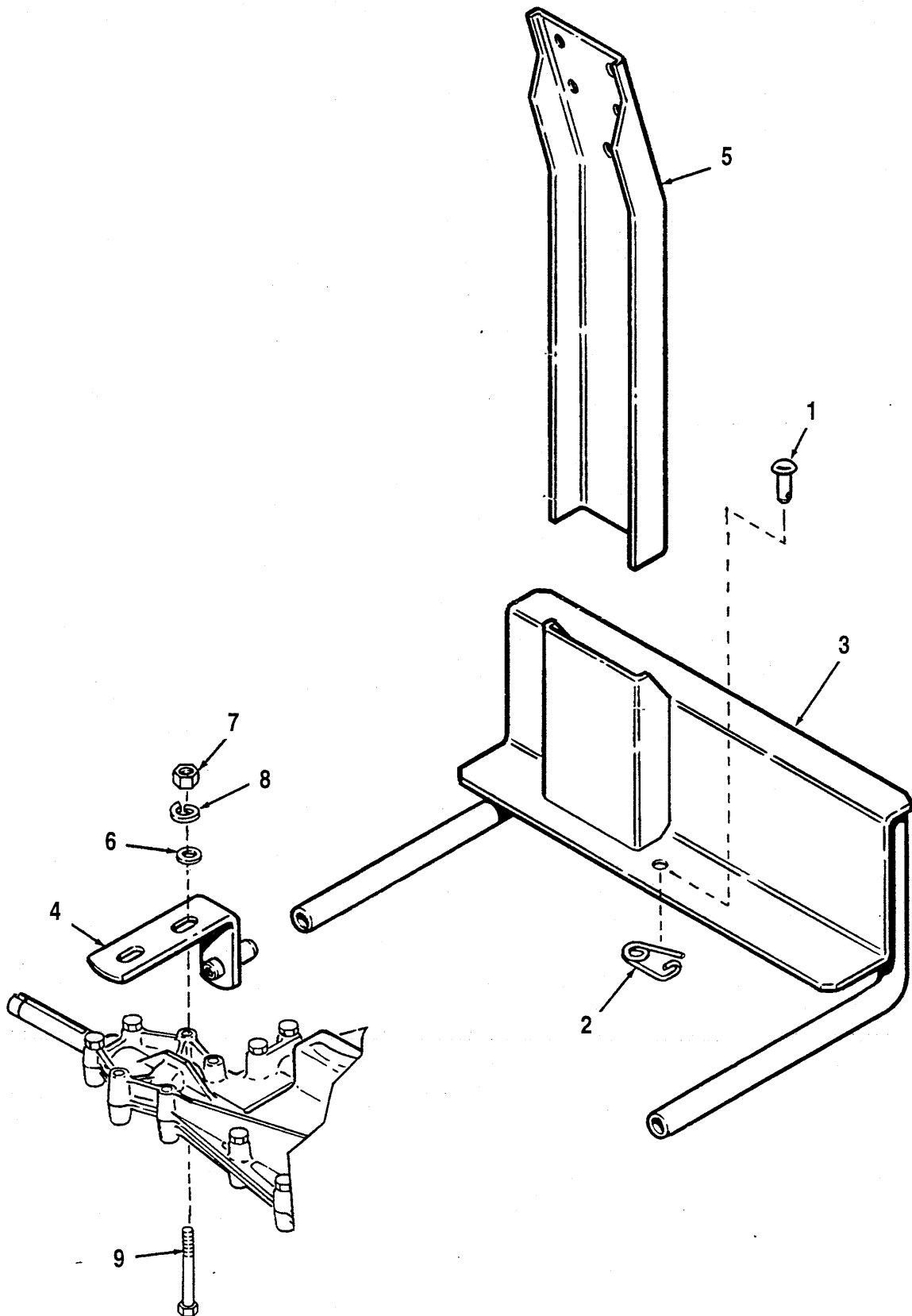
30" & 34" Twin Bag Catchers - Cover & Bag



30" & 34" Twin Bag Catchers - Cover & Bag

REF. NO.	PART NO.	QTY.	DESCRIPTION
1	960367	2	PIN, Round Head
2	1667248	6	CLIP, Canoe
3	1672023	2	CLAMP
4	1675043	4	RIVET, Pop
5	1675707	2	TUBE CLIP, Grass Bag
6	1703700	1	SCREEN
7	1703764	2	BAG, Grass
8	1703807	2	HANGER
9	1703822	1	CROSS ASSY.
10	1703853	1	HANDLE, Latch
11	1703855	2	HOOP, Bag
12	1704056	1	COVER ASSY. (Incl. Ref. Nos. 4, 6, 13, 21, 22, 25, 33 & 40)
13	1704057	1	SEAL, Clip
14	1704075	1	SUPPORT, Tube
15	1704135	1	SEAL, Cover
16	1704180	2	WINDOW
17	1704405	1	DECAL, Safety
18	1704507	1	STRAP, Tube Support
19	1704508	3	BRACKET, Seal
20	1704615	1	TUBE ASSY., Support (Incl. Ref. Nos. 14, 15, 18, 19, 34, 35, 38 & 39)
21	1705876	1	CABLE, Double Loop
22	1910531	4	WASHER
23	1917356	4	LOCKWASHER, 5/16
24	1917372	4	NUT, Hex, 5/16-18
25	1921319	1	WASHER, Plain, 1/4
26	1921966	4	CAPSCREW, Hex Hd., 3/8-16 x 7/8
27	1927428	2	SCREW, Taptite, 1/4-20 x 3/8
28	1928352	4	NUT, Hex, Whizlock, 3/8-16
29	1928919	2	NUT, Hex, #10-32
30	1930531	2	SCREW, Truss Hd., #10-32 x 1/2
31	1930642	5	LOCKNUT, Flange, 1/4-20 End Lock
32	1931333	4	CARRIAGE BOLT, 5/16-18 x 3/4
33	1933886	1	NUT, Speed
34	1960077	2	NUT, Hex, Lock, #8-32
35	1960096	2	WASHER
36	1960221	2	CLIP, Hairpin
37	1960252	5	CARRIAGE BOLT, 1/4-20 x 5/8
38	1960381	7	RIVET, Pop
39	1960399	1	SCREW, Round Hd., #8-32 x 7/8
40	1960400	1	SCREW, Self-tapping, #10-12 x 5/8

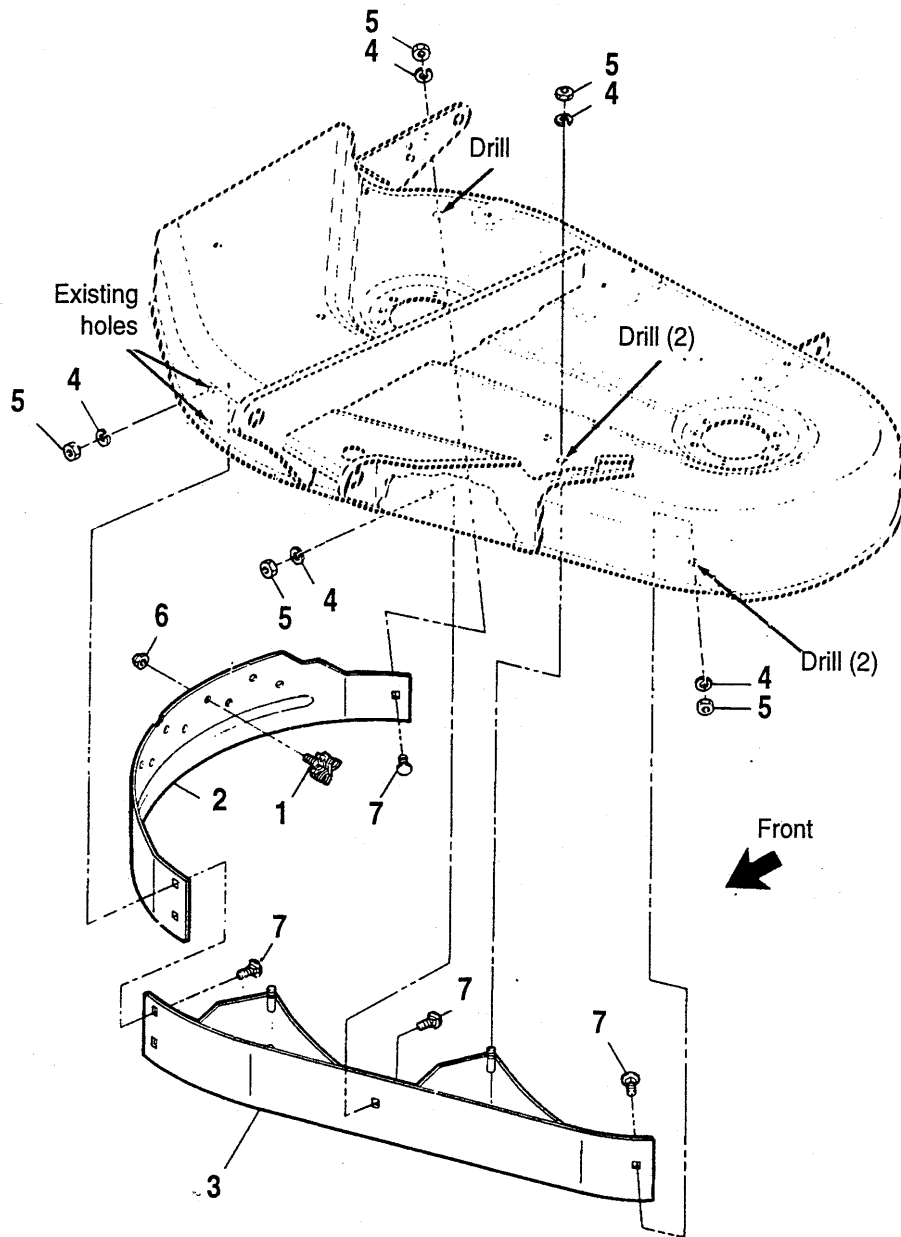
30" & 34" Twin Bag Grass Catchers - Hitch



Mfg. Nos. 1692149, 1692150

30" & 34" Twin Bag Grass Catchers - Hitch




REF. NO.	PART NO.	QTY.	DESCRIPTION
1	102004	1	PIN, Round
2	176012	1	CLIP PIN, Safety
3	1709022	1	SUPPORT ASSY.
4	1709026	2	ANCHOR ASSY.
5	1709111	1	SUPPORT, Catcher
6	1917356	4	LOCKWASHER, 5/16
7	1917372	4	NUT, Hex, 5/16-18
8	1919326	4	WASHER, Plain 5/16
9	1921719	4	CAPSCREW, Hex Hd., 5/16-18 x 2-1/2



REF. NO.	PART NO.	QTY.	DESCRIPTION
1	1707684*	8	SHREDDERS, Leaf (Optional)
2	1708866	1	BAFFLE, Discharge
3	1708867	1	BAFFLE, Mulching
4	1917356	7	LOCKWASHER, 5/16
5	1917372	7	NUT, Hex, 5/16-18
6	1919438*	8	NUT, Hex, Plastite, 5/16-18 (Optional)
7	1931333	5	CARRIAGE BOLT, 5/16-18 x 3/4

* Also available optional Leaf Shredder Kit, part no. 1686609; which contains 8 ea. of Ref. Nos. 6 & 1.

**TORQUE SPECIFICATIONS FOR
STANDARD MACHINE HARDWARE
(Tolerance \pm 20%)**

SIZE	SAE GRADE #2 		SAE GRADE #5 		SAE GRADE #8 	
	<u>in/lbs</u> ft/lbs	Nm.	<u>in/lbs</u> ft/lbs	Nm.	<u>in/lbs</u> ft/lbs	Nm.
8-32	19	2.1	30	3.4	41	4.6
8-36	20	2.3	31	3.5	43	4.9
10-24	27	3.1	43	4.9	60	6.8
10-32	31	3.5	<u>49</u>	5.5	<u>68</u>	7.7
1/4-20	66	7.6	8	10.9	12	16.3
1/4-28	<u>76</u>	8.6	10	13.6	14	19.0
5/16-18	11	15.0	17	23.1	25	34.0
5/16-24	12	16.3	19	25.8	27	34.0
3/8-16	20	27.2	30	40.8	45	61.2
3/8-24	23	31.3	35	47.6	50	68.0
7/16-14	30	40.8	50	68.0	70	95.2
7/16-20	35	47.6	55	74.8	80	108.8
1/2-13	50	68.0	75	102.0	110	149.6
1/2-20	55	74.8	90	122.4	120	163.2
9/16-12	65	88.4	110	149.6	150	204.0
9/16-18	75	102.0	120	163.2	170	231.2
5/8-11	90	122.4	150	204.0	220	299.2
5/8-18	100	136	180	244.8	240	326.4
3/4-10	160	217.6	260	353.6	386	525
3/4-16	180	244.8	300	408.0	420	571.2
7/8-9	140	190.4	400	544.0	600	816.0
7/8-14	155	210.8	440	598.4	660	897.6
1-8	220	299.2	580	788.8	900	1,244.0
1-12	240	326.4	640	870.4	1,000	1,360.0

NOTES

1. These torque values are to be used for all hardware excluding: locknuts, self-tapping screws, thread forming screws, sheet metal screws and socket head setscrews.
2. Recommended seating torque values for locknuts:
 - a. for prevailing torque locknuts - use 65% of grade 5 torques.
 - b. for flange whizlock nuts and screws - use 135% of grade 5 torques.
3. Unless otherwise noted on assembly drawings, all torque values must meet this specification.

INDEX

Part No.	Ref. No. & Page No.	Part No.	Ref. No. & Page No.	Part No.	Ref. No. & Page No.	Part No.	Ref. No. & Page No.
102004	1-67	778249	57-25	792160	8-23	1664847	5-49
106681	1-43	778250	50-25	799021	38-23	1664947	1-45
106681	1-51	778260	15-23	905123	5-19	1664953	2-45
108202	1-39	778262	12-23	916001	3-9	1665036	3-45
108202	1-47	778263	54-25	926267	1-61	1665419	2-61
108209	2-47	778265	61-25	927103	6-19	1665835	10-39
108209	1-49	778278	7-23	927794	3-37	1665835	4-41
108512	1-7	778281	6-23	934683	3-3	1665835	10-47
122023	2-19	778290A	11-23	934683	3-5	1665835	6-49
153124	2-43	778321	52-25	960202	2-21	1666332	4-9
153124	1-53	780001	31-23	960202	2-29	1666759	3-29
157081	3-43	780072	29-23	960202	2-35	1666786	11-39
157081	2-51	780085	174-25	960202	4-37	1666786	5-41
157127	1-27	780086	2-23	960361	3-13	1667248	2-65
158499	2-13	780090	76-25	960361	3-15	1667286	1-11
158499	2-15	780108	30-23	960367	1-65	1667812	11-47
158499	2-17	780159	34-23	960478	7-19	1667812	7-49
158499	3-19	780160	65A-25	960478	3-27	1668487	8-43
159106	4-19	780161	69-25	960479	3-17	1668513	5-53
159106	1-21	780162	65-25	1602946	3-53	1668827	3-21
159106	2-27	780178	30B-23	1611705	5-43	1668827	4-29
159106	1-29	784365	10-23	1611705	3-51	1669105	12-39
164213	3-47	784373	9-23	1611710	3-35	1669105	6-41
164213	2-49	786026	39-23	1650670	4-13	1669837	4-21
164247	1-37	786066	45-25	1651201	2-39	1671260	9-43
172353	1-35	786086	46-25	1651201	1-41	1671260	4-51
172353	2-37	786139	17-23	1654930	4-3	1672023	3-65
172622	4-43	786150	16-23	1654930	4-5	1672132	13-39
172622	2-53	786155A	63-25	1655651	6-43	1672132	12-47
173206	1-3	786157	18-23	1655651	4-53	1673320	2-11
173206	1-5	788040	28-23	1655729	3-39	1673333	5-35
173668	1-9	788061	23-23	1655729	4-47	1673796	6-5
176012	2-67	788067B	90-25	1655777	4-39	1674231	6-3
176440	2-3	788069	71-25	1656916	5-39	1674231	7-5
176440	2-5	788076	33-23	1656916	2-41	1674440	5-29
176440	2-9	788078A	77-25	1656916	5-47	1675043	4-65
510334	150-25	790007	37-23	1656916	3-49	1675707	5-65
770114	3-23	790025	44-25	1656927	6-39	1676183	5-13
772117	1-23	790047	41-23	1656927	6-47	1676183	4-17
774688	48-25	790071	36-23	1657242	7-47	1676460	8-19
774869	47-25	792001	32-23	1657242	4-49	1676519	6-37
776299	66-25	792035	27-23	1657969	7-39	1676861	7-3
776300	4-23	792073	25-23	1657969	8-47	1676861	8-5
776302	161-25	792073	42-23	1660007	5-3	1677274	7-41
776352	67-25	792075	43-25	1660007	5-5	1678381	5-9
778068	14-23	792076A	40-23	1663180	5-37	1678392	6-9
778122A	51-25	792085	42A-25	1664019	8-39	1679163	3-61
778125	49-25	792125	26-23	1664019	3-41	1679163	1-63
778128A	58-25	792137	85-25	1664090	4-35	1679164	4-61
778129A	59-25	792139	20-23	1664847	9-39	1679164	2-63
778151	56-25	792142	22-23	1664847	7-43	1685245	14-39
778221	13-23	792144	79-25	1664847	9-47	1685245	13-47

INDEX

Part No.	Ref. No. & Page No.	Part No.	Ref. No. & Page No.	Part No.	Ref. No. & Page No.	Part No.	Ref. No. & Page No.
1685251	15-39	1704351	10-5	1706454	11-19	1708409	14-29
1685251	14-47	1704355	6-63	1706709	10-51	1708410	14-19
1685483	8-3	1704356	7-61	1706737	21-47	1708416	8-13
1685483	9-5	1704405	17-65	1706737	11-49	1708416	7-17
1685670	10-43	1704419	6-13	1706738	22-47	1708420	9-13
1685672	5-51	1704419	4-15	1706738	12-49	1708421	10-13
1686615*	4-27	1704419	5-17	1706739	9-63	1708426	15-9
1686638	3-11	1704419	9-19	1707057	11-9	1708470	13-3
1686651	7-9	1704419	5-27	1707209	13-21	1708470	14-5
1700229	16-39	1704420	2-7	1707210	14-21	1708500	5-7
1700229	15-47	1704428	9-9	1707270	21-39	1708501	6-7
1700230	17-39	1704507	18-65	1707280	14-43	1708504	9-11
1700230	16-47	1704508	19-65	1707280	11-51	1708509	10-11
1701435	7-37	1704603	8-61	1707286	8-53	1708511	11-11
1702665	3-63	1704603	7-63	1707292	9-53	1708514	7-7
1703273	18-39	1704615	20-65	1707300	15-43	1708516	8-7
1703273	17-47	1704626	5-11	1707300	12-51	1708519	19-43
1703508	8-9	1704628	6-11	1707310	23-47	1708520	11-53
1703700	6-65	1704849	6-21	1707323	24-47	1708521	9-7
1703764	7-65	1704849	8-29	1707335	22-39	1708524	14-3
1703769	5-61	1704873	4-45	1707335	11-41	1708524	15-5
1703769	4-63	1704873	7-51	1707335	25-47	1708525	15-3
1703805	5-21	1704926	20-39	1707335	13-49	1708525	16-5
1703805	6-29	1704926	9-41	1707375	12-9	1708536	11-13
1703807	8-65	1704926	19-47	1707424	13-9	1708536	6-15
1703822	9-65	1704926	9-49	1707432	16-43	1708536	8-17
1703853	10-65	1705010	20-47	1707432	13-51	1708537	12-13
1703855	11-65	1705010	8-63	1707433	12-19	1708537	7-15
1703900	4-11	1705080	8-51	1707433	6-27	1708537	9-17
1703900	7-29	1705248	7-11	1707435	23-39	1708554	18-21
1704056	12-65	1705249	8-11	1707435	12-41	1708554	15-29
1704057	13-65	1705249	13-43	1707540	17-43	1708556	10-7
1704075	14-65	1705249	7-53	1707567	10-53	1708557	11-7
1704082	11-43	1705449	9-51	1707589	13-19	1708558	15-19
1704082	6-53	1705876	21-65	1707684	1-68	1708559	12-7
1704129	12-43	1705897	10-41	1708250	18-43	1708561	26-47
1704129	6-51	1705897	10-49	1708253	10-3	1708561	14-49
1704135	15-65	1706011	3-7	1708253	11-5	1708562	24-39
1704180	16-65	1706014	10-9	1708267	14-9	1708562	13-41
1704276	3-55	1706019	4-7	1708352	11-29	1708564	12-53
1704276	3-57	1706037	5-55	1708362	11-3	1708581	13-13
1704276	3-59	1706037	5-57	1708362	12-5	1708639	6-55
1704277	4-55	1706037	5-59	1708363	12-3	1708639	6-57
1704277	4-57	1706252	7-21	1708363	13-5	1708639	6-59
1704277	4-59	1706255	8-21	1708366	15-21	1708645	14-13
1704314	19-39	1706256	9-21	1708366	12-29	1708645	8-15
1704314	8-41	1706260	10-21	1708367	16-21	1708645	11-17
1704314	18-47	1706260	9-29	1708367	13-29	1708715	15-13
1704314	8-49	1706264	11-21	1708405	7-13	1708716	16-13
1704341	6-61	1706264	10-29	1708405	5-15	1708725	16-3
1704341	5-63	1706388	12-21	1708405	6-17	1708866	2-68
1704351	9-3	1706450	10-19	1708409	17-21	1708867	3-68

INDEX

Part No.	Ref. No. & Page No.	Part No.	Ref. No. & Page No.	Part No.	Ref. No. & Page No.	Part No.	Ref. No. & Page No.
1708877	7-55	1709221	20-21	1709919	15-33	1713846	10-15
1708877	7-57	1709221	19-29	1709920	10-31	1713846	16-17
1708877	7-59	1709222	20-29	1709920	16-33	1713855	22-9
1708880	8-55	1709223	21-29	1709921	11-31	1713857	23-9
1708880	8-57	1709224	22-29	1709921	17-33	1713961	12-55
1708880	8-59	1709226	23-29	1709922	12-31	1713962	14-55
1708881	12-11	1709227	24-29	1709922	18-33	1713963	13-55
1708884	13-7	1709228	25-29	1710437	18-3	1713964	15-55
1708899	14-57	1709229	20-9	1710437	17-5	1713965	16-55
1708900	15-57	1709231	21-21	1710437	23-21	1714020	19-3
1708901	14-57	1709231	26-29	1710703	19-7	1714020	18-5
1708902	15-57	1709232	18-19	1713089	14-41	1714040	20-13
1708903	14-57	1709232	11-27	1713089	15-49	1714040	11-15
1708904	15-57	1709235	17-7	1713090	16-49	1714040	17-17
1708918	9-55	1709237	18-7	1713091	17-49	1714064	19-5
1708918	9-57	1709244	27-29	1713092	15-41	1714077	20-5
1708918	9-59	1709269	17-3	1713167	9-35	1714078	21-5
1708926	10-57	1709271	12-27	1713196	16-41	1714081	24-9
1708927	10-55	1709323	13-27	1713196	18-49	1714082	25-9
1708927	11-57	1709345	22-21	1713199	17-41	1714097	26-9
1708927	10-59	1709345	28-29	1713199	19-49	1714103	22-5
1708955	14-7	1709376	6-35	1713204	18-41	1714103	12-15
1708965	16-9	1709381	8-37	1713204	20-49	1714364	13-59
1708966	15-7	1709382	7-35	1713286*	10-61	1714365	14-59
1708971	17-9	1709383	8-35	1713286*	12-63	1714366	13-59
1708973	16-7	1709384	9-37	1713287*	11-61	1714367	14-59
1708990	18-9	1709385	10-37	1713287*	13-63	1714419	24-41
1709022	3-67	1709850	29-29	1713338	19-41	1714419	28-49
1709026	4-67	1709901	14-27	1713338	21-49	1714428	10-35
1709055	17-13	1709905	1-31	1713441	15-27	1714429	11-37
1709055	9-15	1709905	1-33	1713490	11-55	1714431	13-31
1709055	10-17	1709906	2-31	1713490	13-57	1714442	13-15
1709056	18-13	1709906	2-33	1713490	12-59	1714443	14-15
1709061	12-57	1709907	3-31	1713502	12-17	1714447	20-3
1709061	11-59	1709907	3-33	1713554	13-17	1714448	17-55
1709075	19-9	1709908	4-31	1713555	14-17	1714455	14-57
1709089	16-19	1709908	4-33	1713556	13-11	1714456	15-57
1709089	7-27	1709909	5-33	1713557	15-17	1714482	15-11
1709097	19-21	1709910	5-31	1713609	20-41	1714625	16-11
1709097	16-29	1709910	6-33	1713609	22-49	1714737	14-31
1709111	5-67	1709911	7-33	1713610	23-49	1714738	15-31
1709112	10-63	1709912	8-33	1713613	21-41	1714739	16-31
1709134	9-61	1709913	9-33	1713613	24-49	1714740	17-31
1709135	11-63	1709914	10-33	1713614	25-49	1714741	18-31
1709209	20-43	1709915	6-31	1713619	22-41	1714808	19-31
1709209	13-53	1709915	11-33	1713619	26-49	1714925	11-35
1709213	8-27	1709916	7-31	1713675	23-41	1714926	12-37
1709216	17-19	1709916	12-33	1713675	27-49	1910531	22-65
1709216	9-27	1709917	8-31	1713742	19-19	1913744	21-43
1709217	17-29	1709917	13-33	1713839	14-11	1913744	14-51
1709218	10-27	1709918	14-33	1713843	21-9	1916622	5-45
1709220	18-29	1709919	9-31	1713846	19-13	1916622	15-51

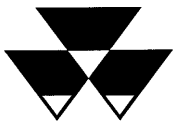
INDEX

Part No.	Ref. No. & Page No.	Part No.	Ref. No. & Page No.	Part No.	Ref. No. & Page No.	Part No.	Ref. No. & Page No.
1916622	12-61	1918447	27-21	1921971	23-19	1924856	28-13
1916950	25-39	1918447	34-29	1921972	30-47	1924856	25-17
1916950	25-41	1918447	20-31	1921972	31-49	1924856	35-21
1916950	22-43	1919262	17-27	1921977	23-5	1924856	43-29
1916950	27-47	1919326	24-13	1921977	19-11	1924940	23-3
1916950	29-49	1919326	21-17	1922127	24-5	1924940	26-5
1916950	14-53	1919326	28-21	1922127	39-29	1924940	28-7
1916964	15-15	1919326	35-29	1922234	32-21	1924940	27-19
1916964	24-21	1919326	36-29	1922611	20-27	1924940	44-29
1916964	6-45	1919326	26-43	1922755	26-7	1924940	34-39
1916964	16-51	1919326	17-51	1922755	26-13	1924940	32-41
1916964	13-61	1919326	18-53	1922755	20-15	1924940	32-43
1916965	26-39	1919326	14-61	1922755	24-19	1924940	34-47
1916965	26-41	1919326	16-63	1922755	28-39	1924940	34-49
1916965	23-43	1919326	8-67	1922755	27-41	1924940	21-51
1916965	28-47	1919381	21-7	1923341	25-5	1925003	24-3
1916965	30-49	1919381	18-11	1923341	40-29	1925003	27-5
1916965	15-53	1919381	22-17	1923358	21-27	1925003	36-9
1916966	16-27	1919381	20-19	1923451	29-39	1925592	37-9
1917356	17-11	1919381	29-21	1923471	31-47	1927428	27-65
1917356	21-13	1919381	18-27	1923491	30-39	1927429	36-21
1917356	16-15	1919381	37-29	1923491	28-41	1927429	45-29
1917356	18-17	1919384	21-19	1923491	32-47	1927531	35-47
1917356	25-21	1919438	30-21	1923491	32-49	1927557	20-11
1917356	30-29	1919438	38-29	1923683	25-19	1927557	28-19
1917356	31-29	1919438	15-61	1923701	31-9	1927557	23-27
1917356	24-43	1919438	17-63	1923701	31-39	1927557	17-61
1917356	16-53	1919438	6-68	1923701	29-41	1927557	18-63
1917356	14-63	1919439	22-7	1923735	27-13	1928352	38-9
1917356	23-65	1919439	27-43	1923735	24-17	1928352	35-39
1917356	6-67	1919439	18-51	1923903	32-39	1928352	33-41
1917356	4-68	1920161	16-61	1923903	30-41	1928352	33-43
1917372	22-13	1920328	23-7	1924009	32-9	1928352	36-47
1917372	17-15	1920415	28-43	1924356	27-7	1928352	35-49
1917372	19-17	1920415	19-51	1924356	33-9	1928352	21-53
1917372	26-21	1921176	22-19	1924356	34-9	1928352	28-65
1917372	32-29	1921176	19-27	1924356	33-39	1928698	18-61
1917372	33-29	1921210	29-43	1924356	31-41	1928698	19-63
1917372	25-43	1921210	20-51	1924356	33-47	1928731	36-39
1917372	17-53	1921221	29-9	1924356	33-49	1928731	34-41
1917372	15-63	1921319	30-9	1924359	33-21	1928919	29-65
1917372	24-65	1921319	31-21	1924359	41-29	1928919*	19-61
1917372	7-67	1921319	7-45	1924361	35-9	1928919*	20-63
1917372	5-68	1921319	25-65	1924361	26-19	1928957	37-47
1917421	27-9	1921332	25-13	1924361	34-21	1928957	36-49
1918199	23-13	1921332	19-15	1924361	22-27	1930531	30-65
1918199	18-15	1921333	21-3	1924361	42-29	1930531*	20-61
1918199	20-17	1921333	23-17	1924361	30-43	1930531*	21-63
1918199	27-39	1921719	9-67	1924361	19-53	1930591	25-3
1918199	29-47	1921966	26-65	1924366	31-43	1930591	28-5
1918447	20-7	1921969	24-7	1924366	20-53	1930591	39-9
1918447	28-9	1921971	25-7	1924856	22-3	1930591	21-11

INDEX

Part No.	Ref. No. & Page No.	Part No.	Ref. No. & Page No.	Part No.	Ref. No. & Page No.	Part No.	Ref. No. & Page No.
1930591	29-19	1933263	39-47	1960236	35-7		
1930591	24-27	1933689	32-13	1960251	52-29		
1930598	29-13	1933689	24-15	1960252	37-65		
1930598	21-15	1933689	27-27	1960262	26-15		
1930601	22-53	1933886	33-65	1960295	23-11		
1930641	40-9	1933896	22-61	1960339	49-9		
1930641	46-29	1933988	28-3	1960353	25-51		
1930642	41-9	1933988	32-5	1960370	36-13		
1930642	22-11	1933988	44-9	1960370	27-15		
1930642	31-65	1933988	33-13	1960371	29-61		
1930644	29-7	1933988	25-15	1960371	28-63		
1930644	30-19	1935048	33-7	1960373	31-3		
1930644	25-27	1935048	28-27	1960373	24-11		
1930645	30-7	1935048	23-61	1960373	35-41		
1930645	37-21	1935048	25-63	1960381	38-65		
1930645	34-43	1935105	24-61	1960399	39-65		
1930645	38-47	1935159	29-27	1960400	40-65		
1930645	37-49	1935255	29-3	1960405	29-17		
1930645	22-51	1935255	33-5	1960483	37-13		
1930651	31-7	1935255	45-9	1960483	30-17		
1931202	29-5	1935255	34-13	1960509	31-27		
1931277	26-3	1935255	27-17	1960518	9-45		
1931277	30-5	1936228	35-13	1960518	26-51		
1931277	42-9	1950021	28-17	1960536	38-13		
1931277	30-13	1960020	32-19	1960536	28-15		
1931277	22-15	1960020	36-43	1960536	31-17		
1931317	8-45	1960020	24-53	1960540	50-9		
1931318	47-29	1960074	37-43	8221042	41-21		
1931318	23-51	1960074	25-53	8221042	53-29		
1931332	31-19	1960077	34-65	8221042	14-37		
1931332	26-27	1960093	38-43	41708267	14-9		
1931332	22-63	1960093	24-51	61685670	10-43		
1931333	27-3	1960096	25-61	61685672	5-51		
1931333	31-5	1960096	35-65				
1931333	32-65	1960112	30-3				
1931333	7-68	1960112	34-5				
1931335	32-7	1960114	46-9				
1931335	38-21	1960114	13-37				
1931335	48-29	1960122	26-61				
1931338	23-63	1960122	26-63				
1931339	21-61	1960151	30-27				
1931339	24-63	1960160	47-9				
1931342	39-21	1960170	34-7				
1931342	49-29	1960170	48-9				
1931350	43-9	1960185	27-61				
1931352	35-43	1960185	27-63				
1931352	23-53	1960221	36-65				
1931355	50-29	1960223	40-21				
1933263	31-13	1960223	51-29				
1933263	23-15	1960223	39-43				
1933263	26-17	1960223	26-53				
1933263	37-39	1960223	28-61				

This page intentionally blank



MASSEY FERGUSON
LAWN & GARDEN EQUIPMENT

Massey Ferguson Lawn & Garden Equipment
is Manufactured and Distributed by Simplicity Manufacturing, Inc.
500 N. Spring Street • P.O. Box 997 • Port Washington, Wi. 53074

TP-1395-01
Printed In USA
©1995 Revised 8/95

Free Manuals Download Website

<http://myh66.com>

<http://usermanuals.us>

<http://www.somanuals.com>

<http://www.4manuals.cc>

<http://www.manual-lib.com>

<http://www.404manual.com>

<http://www.luxmanual.com>

<http://aubethermostatmanual.com>

Golf course search by state

<http://golfingnear.com>

Email search by domain

<http://emailbydomain.com>

Auto manuals search

<http://auto.somanuals.com>

TV manuals search

<http://tv.somanuals.com>