

**INSTALLER / CONSUMER
SAFETY INFORMATION**

**PLEASE READ THIS MANUAL
BEFORE INSTALLING AND
USING APPLIANCE**

WARNING!
IF THE INFORMATION IN THIS
MANUAL IS NOT FOLLOWED
EXACTLY, AN ELECTRICAL SHOCK
OR FIRE MAY RESULT CAUSING
PROPERTY DAMAGE, PERSONAL
INJURY OR LOSS OF LIFE.

FOR YOUR SAFETY

Service must be performed by a
qualified service agency.

**DO NOT STORE OR USE
GASOLINE OR OTHER
FLAMMABLE VAPORS OR
LIQUIDS IN THE VICINITY OF
THIS OR ANY OTHER
APPLIANCE.**



C US

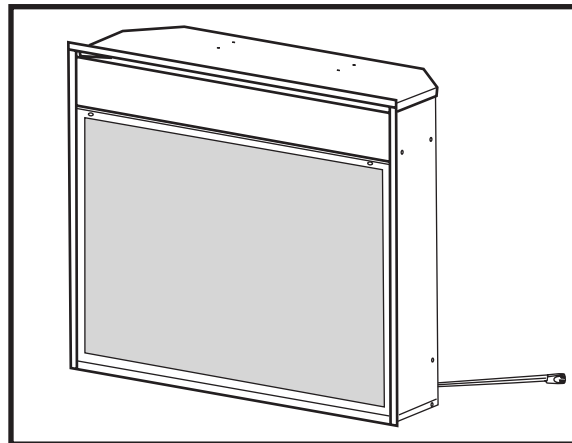


Electric Fireplace

Model: VCEF26

VCEF33

VCEF36



**Installation Instructions and
Homeowners Manual**

CFM Specialty Home Products

410 Admiral Blvd. • Mississauga, Ontario, Canada L5T 2N6 • 905-670-7777
www.majesticproducts.com • www.vermontcastings.com

INSTALLER: DO NOT DISCARD THIS MANUAL - LEAVE FOR HOMEOWNER

10007176 7/05 Rev. 1

Table of Contents

PLEASE READ THE INSTALLATION & OPERATING INSTRUCTIONS BEFORE USING THIS APPLIANCE

Thank you and congratulations on your purchase of a CFM Specialty Home Products electric fireplace.
IMPORTANT: Read all instructions and warnings carefully before starting installation. Failure to follow these instructions may result in a possible electric shock, fire hazard and will void the warranty.

Installation Instructions

General	3
Locating Your Fireplace	3
Clearance to Combustibles	3
Cabinet Installations	3
Fireplace Dimensions	4
Electrical Specifications	4
Electrical Connection	5
Direct (Hard) Wiring Electric Fireplace	5

Service Instructions

Replacing Front Cover	6
Glass Information	6
Replacing the Light Bulbs	7
Maintenance of Motors	7
Cleaning	7
Electrical Wiring Diagram	8

Operating Instructions

Flame Speed Control	9
Heater Control	9

Replacement Parts	10
-------------------	----

Warranty	12
----------	----

Installation Instructions

General

1. Read all instructions before using this appliance.
2. This appliance is hot when in use. To avoid burns, do not let bare skin touch hot surfaces. If provided, use handles when moving this appliance. Keep combustible materials, such as furniture, pillows, bedding, papers, clothes and curtains at least 3 feet (914mm) from the front of this appliance.
3. **CAUTION: Extreme caution is necessary when any heater is used by or near children or invalids and whenever the heater is left operating unattended.**
4. If possible always unplug this appliance when not in use.
5. Do not operate any heater with a damaged cord or plug or after the appliance malfunctions, has been dropped or damaged in any manner.
6. Any repairs to this appliance should be carried out by a qualified service person.
7. Under no circumstances should this appliance be modified. Parts having to be removed for servicing must be replaced prior to operating this stove again.
8. Do not use outdoors.
9. This heater is not intended for use in bathrooms, laundry areas and similar indoor locations. Never locate this appliance where it may fall into a bathtub or other water container.
10. Do not run cord under carpeting. Do not cover cord with throw rugs, runners or the like. Arrange cord away from traffic areas and where it will not be tripped over.
11. To disconnect this appliance, turn controls to the off position, then remove plug from outlet.
12. Connect to properly grounded outlets only.
13. This appliance, when installed must be electrically grounded in accordance with local codes, with the current CSA C22.1 Canadian Electrical codes or for USA installations, follow local codes and the National Electric Code, ANSI/NFPA No. 70.
14. Do not insert or allow foreign objects to enter any ventilation or exhaust opening as this may cause an electric shock, fire or damage the appliance.
15. To prevent possible fire, do not block air intakes or exhaust in any manner. Do not use on soft surfaces, like a bed, where openings may become blocked.
16. This appliance has hot and arcing or sparking parts inside. Do not use it in areas where gasoline, paint or flammable liquids are used or stored. This appliance should not be used as a drying rack for clothing, nor should Christmas stockings or decorations be hung on or near it.
17. Use this appliance only as described in this manual. Any other use not recommended by the manufacturer may cause fire, electric shock or injury to persons.
18. Avoid the use of an extension cord because the extension cord may overheat and cause a risk of fire. However, if you have to use an extension cord, the cord shall be 14 ga min-

imum size and rated not less than 2025 Watts. The extension cord must be a three wire cord with grounding type plug and cord connector. The extension cord shall not be more than 20 feet (6m) in length.

Locating Your Fireplace

Your new fireplace may be installed in a prefabricated cabinet available from your dealer.

When choosing a location for your new fireplace, ensure the general instructions are followed. Also, for best effect install the fireplace out of direct sunlight.

Clearance to Combustibles

Sides 0" (0 mm)
Floor 0" (0 mm)
Top 0" (0 mm)

Cabinet Installations

Cabinets are available from your dealer which allow for fast, convenient installation of your fireplace against existing walls.

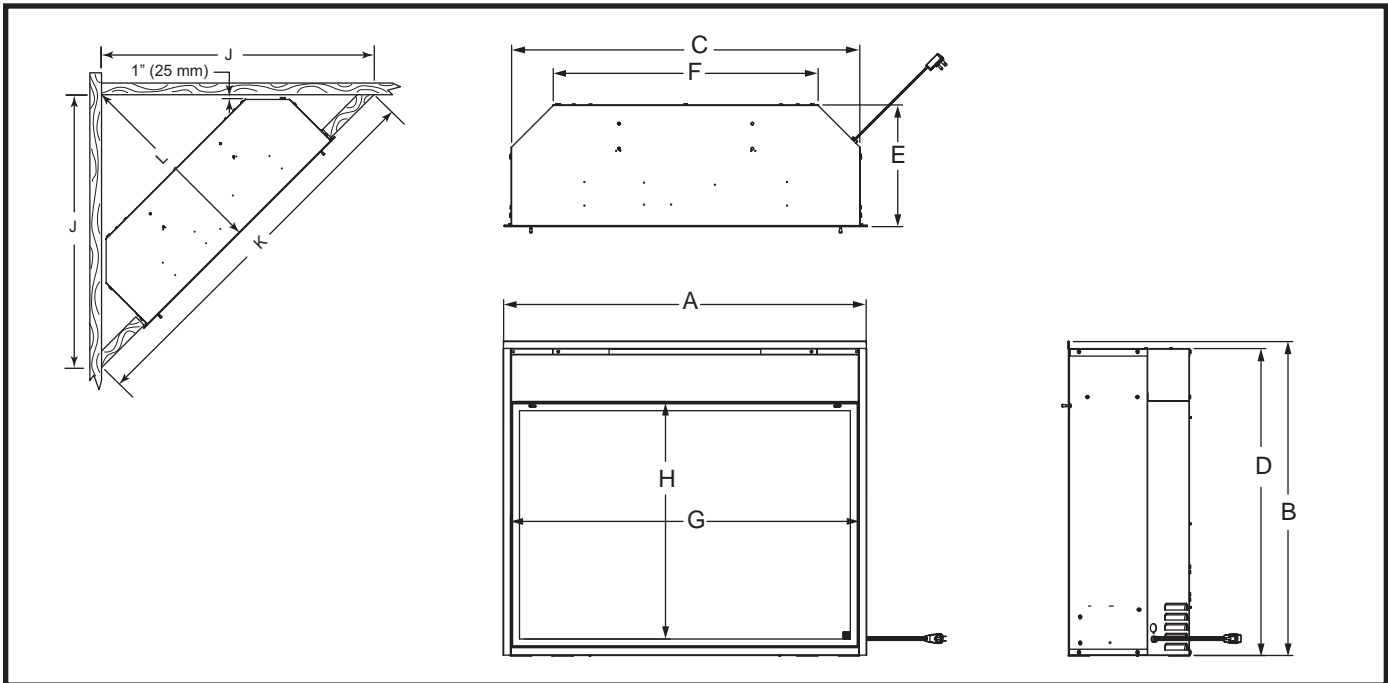
For instructions on handling and assembly of your cabinet, refer to separate installation instructions that come with the cabinet.

If it is necessary to secure your fireplace into a cabinet (i.e. VCEF26RV) such as for installations in a recreational vehicle, the fireplace may be secured by this method (hardware not supplied):

Remove the glass door from the unit and set aside. 3/16" (5 mm) clearance holes, two (2) per side must be drilled through the fireplace sides for #8 x 3/4" long black oxide wood screws or similar. The mounting holes can be located on left and right sides approximately 2" (51 mm) from the top and 5" (127 mm) from the bottom of the glass door area. The mounting hole location distance from the front of the unit must not interfere with the glass door and the refractory (brick pattern) when reinstalled. If necessary, modify the cabinet for the mounting screws to attach. Double check the mounting hole's locations on the fireplace before drilling. A small 1/16" (2 mm) pilot hole or center punch before drilling is recommended. Mark and drill from the outside to avoid marking or damaging the interior of the fireplace. Tighten the screws evenly so the unit remains centered in the opening and without distorting the sides of the fireplace unit. It is advisable to place wood shims or similar between the fireplace sides and the cabinet to prevent distortion when tightening the screws. 1/2" (13 mm) Velcro strips for securing the log to the grate tines and away from the screen are recommended.

SAVE THESE INSTRUCTIONS

Fireplace Dimensions



Ref.	VCEF26	VCEF33	VCEF36
A	27½" (699 mm)	34½" (876 mm)	37½" (953 mm)
B	25¼" (641 mm)	29¾" (743 mm)	33¼" (845 mm)
C	26¼" (667 mm)	33¼" (845 mm)	36¼" (921 mm)
D	24½" (622 mm)	29" (737 mm)	32½" (826 mm)
E	11½" (292 mm)	11½" (292 mm)	11½" (292 mm)
F	18" (457 mm)	25⅝" (639 mm)	28⅙" (716 mm)
G	25¼" (641 mm)	32¼" (819 mm)	35¼" (895 mm)
H	19½" (495 mm)	22¾" (578 mm)	26¼" (667 mm)
J	31" (787 mm)	36⅙" (916 mm)	38¼" (971 mm)
K	43⅞" (1114 mm)	51" (1295 mm)	54⅙" (1373 mm)
L	21⅙" (557 mm)	25½" (648 mm)	27⅙" (687 mm)

Electrical Specifications

	VCEF26	VCEF33 / VCEF36
Voltage	120VAC, 60Hz	120VAC, 60Hz
Total Amps	12	12.5
Total Watts	1450	1500
Heater Rating	1350 Watts	1350 Watts

Electrical Connection

A 15 amp, 120 Volt, 60 Hz circuit with a properly grounded outlet is required. Preferably, the fireplace will be on a dedicated circuit as other appliances on the same circuit may cause the circuit breaker to trip or the fuse to blow when the heater is in operation. The unit comes standard with a 6 ft. (1.8 m) long three wire cord, exiting the right side of the fireplace. Plan the installation to avoid the use of an extension cord. If an extension cord must be used, it must be a minimum 14 ga, three wire with grounding type plug and connector and rated not less than 2025 Watts. The extension cord shall not be more than 20 ft. (6m) in length.



Electrical outlet wiring must comply with local building codes and other applicable regulations to reduce the risk of fire, electrical shock and injury to persons.



Do not use this fireplace if any part of it has been under water. Immediately call a qualified service technician to inspect the fireplace and replace any part of the electrical system which has been under water.

Direct (Hard) Wiring Electric Fireplace

WARNING: This procedure must be conducted by a qualified electrician, in accordance with National and local codes. In the U.S.A., the installation must conform to the National Electrical Code, ANSI/NFPA No. 70. In Canada, the installation must conform to the current CSA C22.1 Canadian Electrical Code.

WARNING: Make sure the power to the unit is off, and the power cord is unplugged from the wall outlet before proceeding with this conversion. Failure to do so may result in property damage, personal injury or loss of life.

This instruction is intended as a guide for replacing the power cord supplied with Models VCEF26/33/36 electric fireplace with direct (hard) wiring.

NOTE: When direct wiring this appliance, it must be connected to a 15 Amp dedicated circuit breaker or fuse in the electrical panel of the dwelling. The cable between the circuit/fuse panel and the fireplace must meet all local and national codes, and in no case shall the wires be less than 14 gauge.

1. Make sure the power to the unit has been turned off, the power cord is unplugged from the wall outlet and the unit has cooled down if it has been operating.
2. Follow Steps 3 through 6 in "Replacing Light Bulbs" section, Page 7, to gain access to control panel behind the touchpad controls.
3. Locate where the power cord enters the control compartment on the right hand side of the unit. Using wire cutters, cut the power cord within three

inches (75mm) of the point where it exits the cabinet.

4. Carefully separate the three (3) wires of the power cord into separate wires by gently pulling them apart. DO NOT use a knife, as this may expose bare conductor. The hot wire is connected on the right hand side and is terminated with a 90° terminal (marked as "power" on the control board). The neutral wire is connected on the left hand side and is terminated with a straight terminal marked as "Neutral" on the control board. The green ground wire is attached to a ground stud.
 5. Using wire strippers, strip approximately 5/8" (15mm) from the ends of the hot and neutral wires.
 6. Using a wrench, remove the #6-32 hex nut from the ground stud where the green wire from the power cord is attached. Remove and discard the green wire. Reinstall the nut but do not tighten yet.
 7. While standing on the right side of the unit, locate the power cord where it exits the cabinet. Using pliers, gently cut and remove the power cord. Dispose of the power cord.
 8. Using a slotted screwdriver, remove the 7/8" (22mm) diameter knockout from the right hand side of the cabinet above where the strain relief was located.
 9. Route the electrical cable from the breaker/fuse panel through the 7/8" (22mm) diameter hole and secure to the cabinet using an approved clamp. The power wires should extend approximately 6" (152mm) into the control compartment.
- WARNING:** Make sure the power to the power cable has been turned off at the breaker/fuse panel of the residence before proceeding.
10. Connect the ground wire from the power cable by wrapping it around the ground stud of the unit and securing it using the #6-32 nut.
 11. Using a wire nut, connect the hot lead (black), of the power cable to the power cord wire that ends in 90° terminal (on the control board side, it ends on your right hand side). Similarly, connect the neutral wire (white), of the power cable to the power cord ending with the straight terminal (on the control board side, it ends on your left hand side) using a wire nut. It is recommended that the wire nuts be taped to the wires, using electrical tape, as an extra safety measure.
 12. Visually check that none of the wires in the control compartment have been dislodged from the controls. If they have, use the wiring diagram on the unit or in the instruction manual to replace them in their proper location.
 13. Turn the power to the unit on at the breaker/fuse panel. Place the unit into operation and check to make sure that all of the systems are working properly.

Service Instructions



WARNING: Disconnect power before attempting any maintenance or cleaning to reduce the risk of fire, electrical shock or personal injury.

Replacing Front Cover

Access to heater/fan

1. Turn off power to the unit.
2. Let fireplace cool if it has been operating.
3. Remove fixed front panel, or open doors (depending on model). If the model has operable glass or mesh doors, completely remove them from the unit before proceeding. To remove the doors, locate and remove the two (2) screws holding the door at the top. (Fig. 1) Hold the door at all times with one hand to prevent the door from falling when you undo the hinge screws.

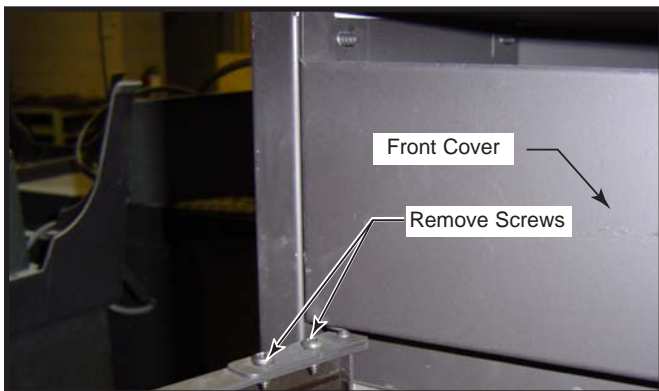


Fig. 1 Remove screws holding door at top.

4. Locate the screws that hold the front cover in place. There are six (6) screws, three (3) located on the front of the unit (Fig. 2), and three (3) located underneath the top shelf of the unit. (Fig. 3)

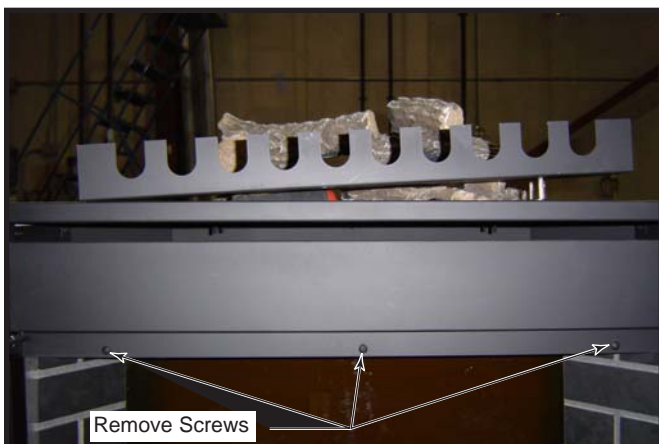


Fig. 2 Remove three (3) screws on front of unit.

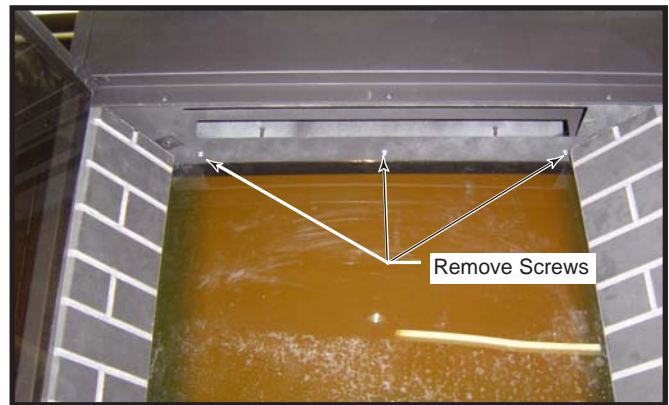


Fig. 3 Remove three (3) screws located under top shelf.

5. Remove screws using appropriate screwdriver.
6. Pull out the front cover, holding both sides of the cover, pull gently towards you and down.



Fig. 4 Hold both sides and pull gently forward and down.

7. You now have access to the heater/fan unit, for cleaning and/or maintenance.
8. To reinstall the front cover, please follow reverse procedure, paying attention not to damage any wiring in the process.

Glass Information

1. Under no circumstances should this product be operated with broken glass.
2. Do not strike or slam the glass.
3. Do not use abrasive cleaners to clean the glass.
4. This product uses tempered glass. Replacement of the glass supplied by the manufacturer should be done by a qualified service person.

Replacing the Light Bulbs

Depending on your model, the fireplace uses two (2) or three (3) clear 120 Volt, 60 Watt, E-12 socket base light bulbs (small base, chandelier candle type). The lights are located under the ember bed of the unit. For convenience, if one of the light bulbs burns out, it may be easier to replace all of the light bulbs at the same time.



Do not exceed 60 Watts per bulb. Use of higher rated bulbs may result in a fire, causing property damage, personal injury or loss of life.

1. Turn off power to the unit.
2. Let fireplace cool if it has been operating.
3. Remove fixed front panel, or open doors (depending on model).
4. Locate two (2) screws that hold the refractory (brick patterned) bracket together with the ember bed. (Fig. 5)
5. Remove those two (2) screws using an appropriate screwdriver. One screw is located on either side of the unit.

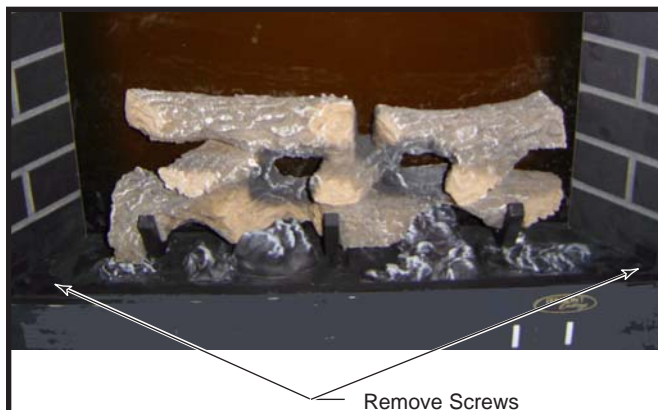


Fig. 5 Remove screws that hold refractory bracket with ember bed.

6. Pull the ember bed out of the unit, by gently pulling towards you and only slightly upwards. Depending on the model, you can remove the refractory prior to removing the ember bed.

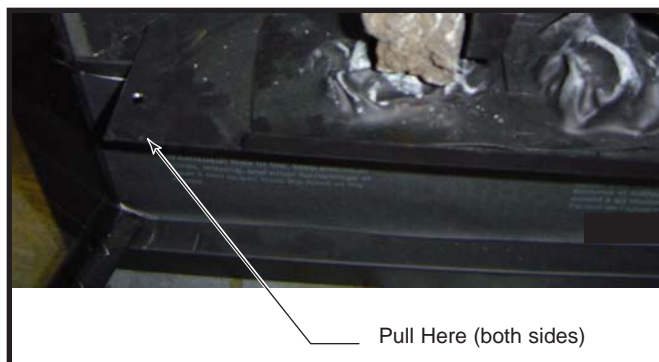


Fig. 6 Pull ember bed out of unit.

7. Looking into the opening of the unit under the ember bed, visually locate the light bulbs.
8. Remove the light bulbs by unscrewing them out of the bases, turning them counterclockwise. You can use one hand to hold the light socket in place, if required.
9. Install the new light bulb(s) by turning the light bulb into the base clockwise. You can use one hand to hold the light socket in place, if required.

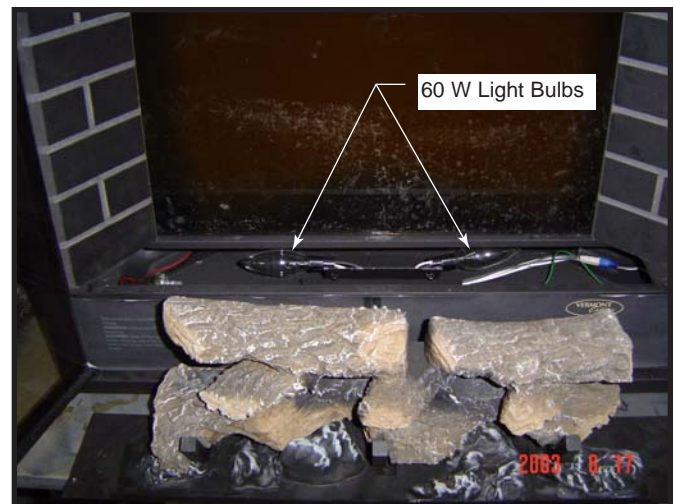


Fig. 7 Remove and replace light bulb(s).

10. Reposition the ember bed. If required, gently raise the refractory panels, one at a time, to tuck the ember bed edge underneath them.
11. Reposition the refractory bracket, aligning the refractory in place as required.
12. Replace two (2) screws taken out in Step 5, by using an appropriate screwdriver.

Maintenance of Motors

The motors used on the fan and the drum assembly are prelubricated for extended bearing life and require no further lubrication. However, periodic cleaning/vacuuming of the fan/heater is recommended.



Make sure the power is turned OFF before proceeding.

Cleaning

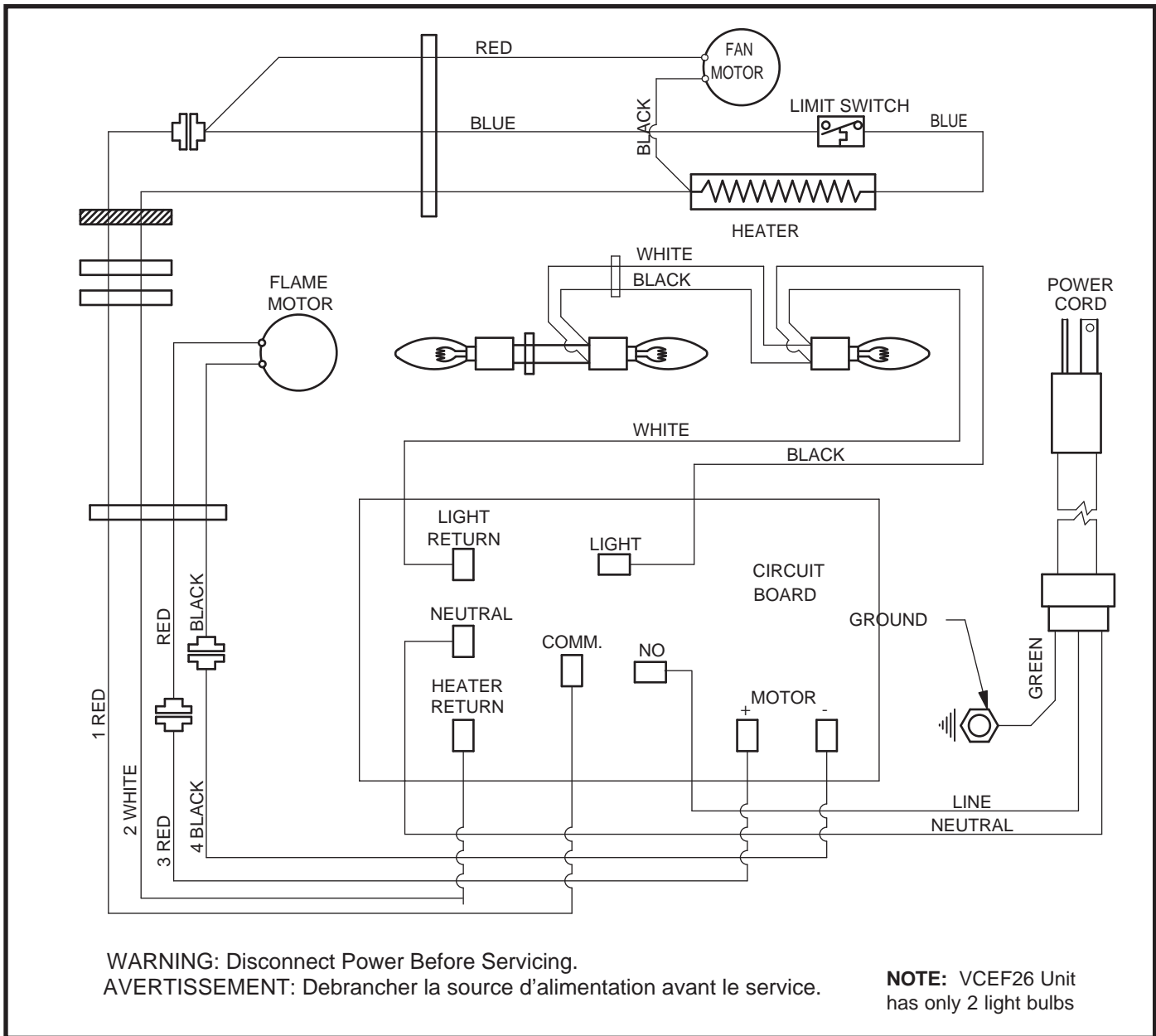
Cleaning of the touchpad label at the bottom front of the unit is to be done only using a soft cloth, slightly dampened in water (if needed, a small amount of dish soap can be added to the water) and dried using a clean, dry soft cloth. **DO NOT** use any abrasive household cleaners as these products will damage the touchpad controls.

Electrical Wiring Diagram

Any electrical repairs or rewiring of this unit should be carried out by a licensed electrician in accordance with national and local codes.



If repairing or replacing any electrical component or wiring, the original wire routing, color coding and securing locations must be followed.



Operating Instructions

All of the fireplace control functions can be accessed in two (2) ways:

- Using a multifunction remote control unit
- Using touchpad control panel, located in the lower right-hand corner of the fireplace behind the door front or fixed front (depending on the model).

Remote control unit has all the controls required to operate any feature on the unit. If you prefer to use the touchpad control on the fireplace unit itself, open the fixed front or open the doors (depending on the model) to access the touchpad buttons. The layout of the buttons on touchpad and remote control unit can be seen in Figures 8 & 9, respectively.

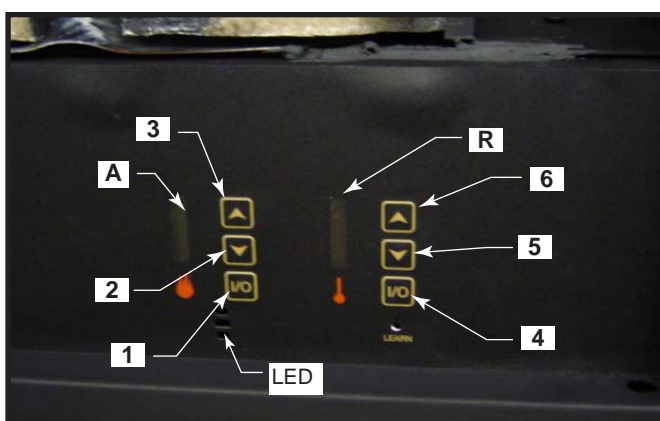


Fig. 8 Touchpad buttons.

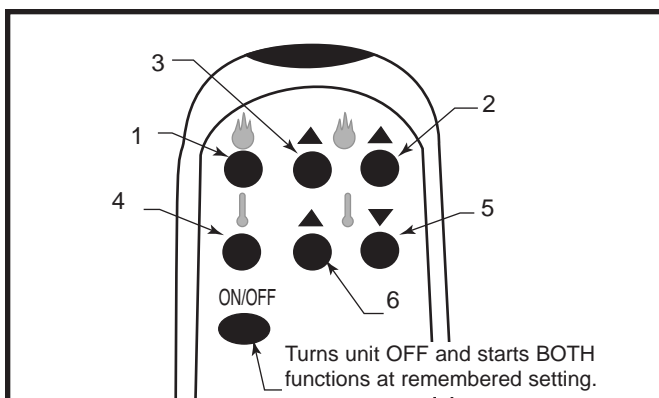


Fig. 9 Remote control.

The fireplace features conveniently separate controls for flame effect and for heater control. This allows you to operate the unit in three (3) different modes:

- As a full-featured fireplace - both flame effect and heater are on. This mode allows you to enjoy the look of the fire along with the heat output of a heater.

- As a visual effect - only flame effect is on, the heater is off. We recommend this mode for warm weather application, when you want the ambiance of a fire, without any heat output.
- As a heater - only heater is on, while the flame effect is off. This mode allows you to use your fireplace as an electric heater, without any flame effect.

Refer to Figure 8 & 9 for locations of the buttons on both, the touchpad and remote control unit, described in the following operating instructions. Note that in both cases, button numbers as shown in the figures are the same.

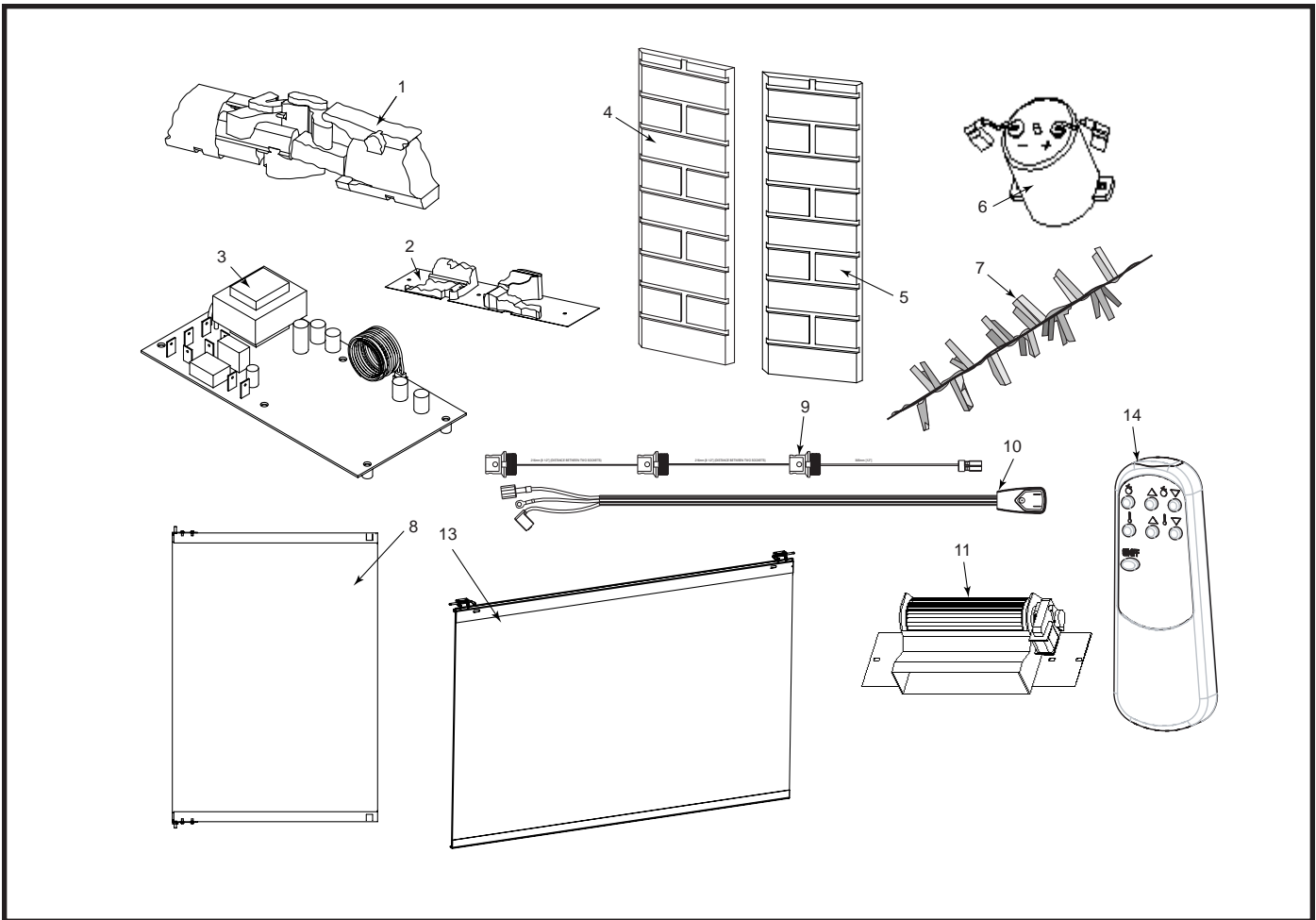
Flame Speed Control

Your fireplace features a flame speed control. By depressing button 1 once you will activate the flame effect. If this is the first time you use this unit, the visual indicator of the flame effect (A) will be lit up to about half its height. By repeatedly depressing buttons 2 and 3, you can respectively decrease or increase the flame effect speed to achieve desired flame effect. Refer to visual indicator A to monitor relative speed of the flame effect between the slowest (indicator A showing only one light) and fastest (indicator A showing all lights lit up) setting. For added convenience, control board in your fireplace will remember your last setting on subsequent activation.

Heater Control

Your fireplace features a variable temperature setting control. By depressing button 4 once, you will have activated the heater. To change the comfort level in the room, you can repeatedly depress buttons 5 and 6 to decrease or increase the temperature setting, respectively (for example, by repeatedly depressing button 6, you will increase the temperature setting and your room will feel warmer). To achieve the desired effect, refer to visual indicator R, as your guide on the level of the heat output.

NOTE: During each operation of this unit, the unit features will initiate the LED, a visual indicator of flame effect (A), and a visual indicator of the heat output (R). The LED and all visual indicators will automatically turn off after 20 seconds.



CFM Specialty Home Products reserves the right to make changes in design, materials, specifications, prices and discontinue colors and products at any time, without notice.

VCEF26/33/36 Electric Fireplace

Ref.	Description	VCEF26	VCEF26RV	VCEF33	VCEF36
1.	Logset	10006711	10006711	10006532	10006587
2.	Ember Lava Rock	10006710	10006710	10006526	10006588
3.	Circuit Board	10006506	10006506	10006506	10006506
4.	Refractory Right Side	10006601	10006601	10006523	10006585
5.	Refractory Left Side	10006602	10006602	10006524	10006584
6.	DC Motor	10001978	10001978	10001978	10001978
7.	Flame Generator Assembly	10003566	10003566	10003350	10003350
8.	Glass Operable Door Assembly	10006750	--	10006751	10006752
9.	Socket w/Wire Assembly	10006453	10006453	10006454	10006454
10.	Power Cord	10003095	10003095	10003095	10003095
11.	Heater/Fan Assembly	10006538	10006538	10006538	10006538
12.	Screen Diffuser (not shown)	10006423	10006423	10006422	10006576
13.	Glass Door Assembly	--	10006551	--	--
14.	Transmitter	10006950	10006950	10006950	10006950

1 YEAR WARRANTY

For VERMONT CASTINGS Electric Fireplace

BASIC WARRANTY:

CFM Specialty Home Products (hereinafter referred to collectively as the "Company") warrants that your new electric fireplace is free from manufacturing and material defects for a period of one year from date of installation, subject to the following conditions and limitations.

1. This electric fireplace must be installed and operated at all times in accordance with the Installation and Operating instructions furnished with the product. Any alteration, willful abuse, accident, or misuse of the product shall nullify this warranty.
2. This warranty is non-transferrable, and is made to the original owner, provided that the purchase was made through an authorized supplier of the Company.
3. This warranty is limited to the repair or replacement of part(s) found to be defective in material or workmanship, provided that such part(s) have been subjected to normal conditions of use and service, after said defect is confirmed by the Company's inspection.
4. **This warranty does not cover the lightbulb(s) included with the fireplace.**
5. The Company may, at its discretion, fully discharge all obligations with respect to this warranty by refunding the wholesale price of the defective part(s).
6. Any installation, labour, construction, transportation, or other related costs/expenses arising from defective part(s), repair, replacement, or otherwise of same, will not be covered by this warranty, nor shall the Company assume responsibility for same. Further, the Company will not be responsible for any incidental, indirect, or consequential damages, except as provided by law.

7. All other warranties - expressed or implied - with respect to the product, its components and accessories, or any obligations/liabilities on the part of the Company are hereby expressly excluded.
8. The Company neither assumes, nor authorizes any third party to assume, on its behalf, any other liabilities with respect to the sale of this Vermont Castings product.
9. The warranties as outlined within this document do not apply to non-CFM Specialty Home Products accessories used in conjunction with the installation of this product.

This warranty is void if:

- a) The fireplace has been operated in atmospheres contaminated by chlorine, fluorine or other damaging chemicals.
- b) The fireplace is subjected to prolonged periods of dampness or condensation.
- c) Any alteration, willful abuse, accident, or misuse of the product.

IF WARRANTY SERVICE IS NEEDED . . .

- 1) Contact your supplier. Make sure you have your warranty, your sales receipt, and the model/serial number of your CFM Specialty Home Products product.
- 2) **DO NOT ATTEMPT TO DO ANY SERVICE WORK YOURSELF.**

CFM Specialty Home Products

410 Admiral Blvd. • Mississauga, Ontario, Canada L5T 2N6 • 905-670-7777
www.majesticproducts.com • www.vermontcastings.com

Free Manuals Download Website

<http://myh66.com>

<http://usermanuals.us>

<http://www.somanuals.com>

<http://www.4manuals.cc>

<http://www.manual-lib.com>

<http://www.404manual.com>

<http://www.luxmanual.com>

<http://aubethermostatmanual.com>

Golf course search by state

<http://golfingnear.com>

Email search by domain

<http://emailbydomain.com>

Auto manuals search

<http://auto.somanuals.com>

TV manuals search

<http://tv.somanuals.com>