

# NexStar·3

EXTERNAL 3.5" HARD DRIVE ENCLOSURE  
USB 2.0/eSATA/FireWire 800/400 INTERFACE



## QUAD INTERFACE



1394 a



1394 b



USB 2.0



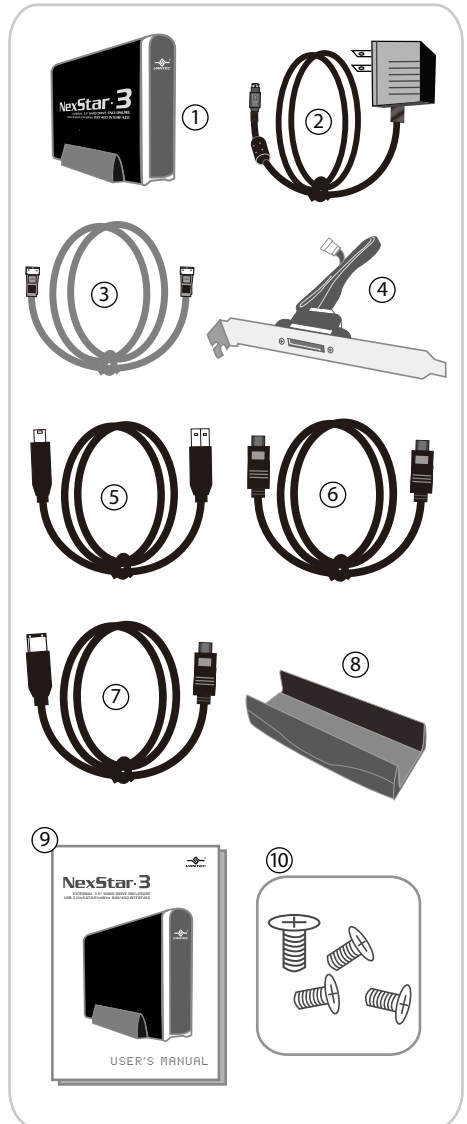
eSATA

USER'S MANUAL

# Package Contents:

## *NexStar 3 3.5" SATA to USB/eSATA/ 1394a/1394b External Hard Drive Enclosure*

- ① 3.5" HDD Enclosure
- ② Power Adapter
- ③ eSATA Cable
- ④ SATA to eSATA Bracket
- ⑤ USB Cable
- ⑥ 1394b Cable
- ⑦ 1394b to 1394a Converter Cable
- ⑧ Enclosure Stand
- ⑨ User's Manual
- ⑩ Installation Screws



### TRADEMARKS

MS-DOS, Microsoft, Windows NT/2000/ME/XP/Vista are trademarks of Microsoft Corporation.

Apple, Macintosh and Mac are trademarks of apple Computer

\*All other third-party brands and names are the property of their respective owners.

Download from [Www.Somanuals.com](http://Www.Somanuals.com). All Manuals Search And Download.

# Table of Contents:

<b>1. Introduction</b> .....	02
<b>2. Specifications/Features</b>	
NexStar 3 External 3.5" HDD Enclosure .....	03
<b>3. System Requirements</b> .....	04
<b>4. Parts Layout</b>	
NexStar 3 External 3.5" HDD Enclosure .....	05
<b>5. Installation</b>	
NexStar 3 External 3.5" HDD Enclosure	
5.1 Hardware Installation .....	06
5.2 System Set Up .....	09
5.3 USB Mode.....	09
5.4 eSATA Mode .....	10
5.5 FireWire 800/400(1394b/1394a) Mode .....	10
<b>6. Disconnecting the NexStar 3</b>	
NexStar 3 External 3.5" HDD Enclosure .....	11
<b>7. Creating A New Partition</b> .....	12
<b>8. Troubleshooting/FAQ</b>	
NexStar 3 External 3.5" HDD Enclosure .....	15
<b>9. Warranty</b> .....	17
<b>10. Contact</b> .....	17

## 1. Introduction:

Form and functionality collide with style in the NexStar 3 External Hard Drive Enclosure from Vantec. With its mirror finish, sleek curves and bold colors, the Vantec NexStar 3 stands out from the crowd. The sturdy drive cage protects your hard drive while the aluminum case effectively draws away the heat, protecting your drive from overheating. With its quad external interface design: USB 2.0, FireWire 400(1394a), FireWire 800(1394b) and eSATA, it will meet all your connection needs. The NexStar 3 is an ideal way to store and transfer large amounts of data in an enclosure that matches your style!



## 2. Specifications/Features:

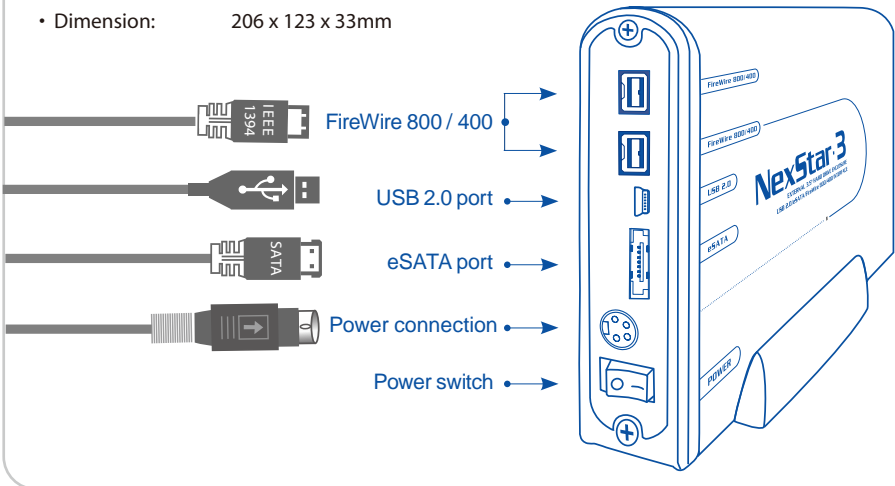
### *NexStar 3 External 3.5" HDD Enclosure:*

#### Features:

- Aluminum Casing Cools Down Your Hard Drive
- Transfer Rates Up to 3Gbps W/ eSATA
- Transfer Rates Up to 480Mbps W/ USB 2.0 (12Mbps W/ USB1.1)
- Transfer Rates Up To 400Mbps With FireWire 400(1394a)
- Transfer Rates Up to 800Mbps With FireWire 800(1394b)
- Hot-Swappable: Plug And Play Without Rebooting
- Attractive Blue LED Indicates Power/HDD Activity

#### Specifications:

- Model: NST-360FBSU-BK
- Device Support: SATA I/II Hard Drive
- Device Size: 3.5"
- Internal Interface: SATA I/II
- External Interface: USB 2.0/eSATA/1394a/1394b
- HD Capacity: Up to 1 TB
- Power Supply: AC Adapter
- Material: Aluminum
- Dimension: 206 x 123 x 33mm



### 3. System Requirements:



Intel Pentium II 350 MHz-compatible  
Microsoft Windows 2000/XP/Vista

1. USB port, internal SATA port, eSATA port, FireWire 400(1394a) port, or FireWire 800 (1394b) port.
2. For USB 2.0 speeds, the system must support USB 2.0 specifications
3. For SATA speeds , the system must support SATA specifications
4. For FireWire 800(1394b) speeds, the system must support 1394b specifications.
5. For FireWire 400(1394a) speeds, the system must support 1394a specifications.

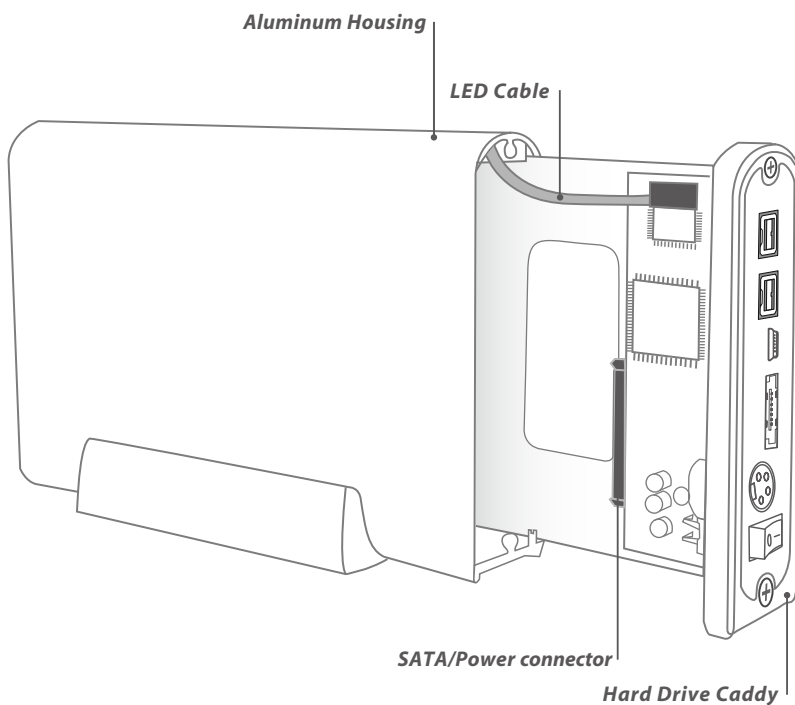


Mac G3 processor & greater (G4 for 1394b)  
Mac OS 10.2 & greater

1. USB port, internal SATA port, eSATA port, FireWire 400(1394a) port, or Fire Wire 800 (1394b) port.
2. For USB 2.0 speeds, the system must support USB 2.0 specifications
3. For SATA speeds , the system must support SATA specifications
4. For FireWire 800(1394b) speeds, the system must support 1394b specifications.
5. For FireWire 400(1394a) speeds, the system must support 1394a specifications.

## 4. Parts Layout:

### *NexStar 3 External 3.5" HDD Enclosure*



## 5. Installation:

### *NexStar 3 External 3.5" HDD Enclosure:*

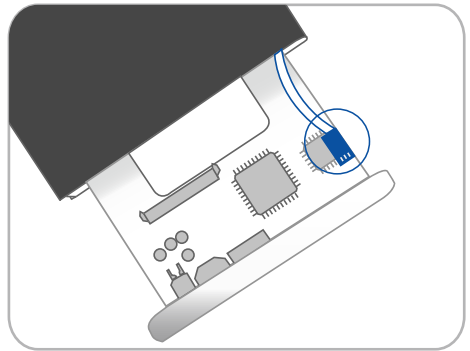
#### 5.1. Hardware Installation:

##### **Preparing the hard drive:**

- (1) Set the hard drive jumpers to MASTER or SINGLE DRIVE ONLY. Please refer to the documentation included with your hard drive for information on how to accomplish this.

##### **Preparing the NexStar 3:**

- (1) Remove the side of the NexStar 3 with the power and USB connection ports. If it has previously been screwed in place, remove the screws first.
- (2) Carefully slide out the side approximately 3 inches. (pic 5.1-A)
- (3) Unplug the red and white cable for the LED.
- (4) Slide out the rest of the side.

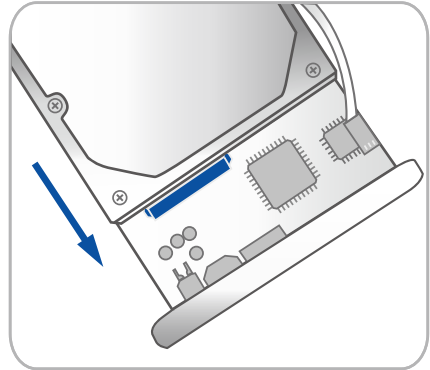


(pic 5.1-A)



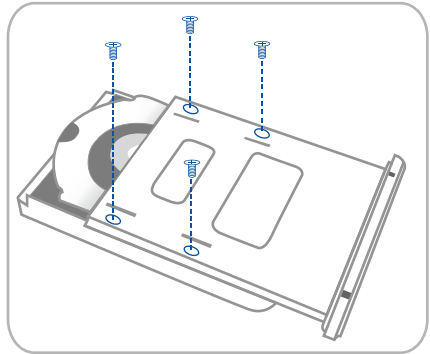
## Installing the hard drive in the NexStar 3:

- (1) Connect the SATA connector and power cable to the hard drive as pictured below. (pic 5.1-B)



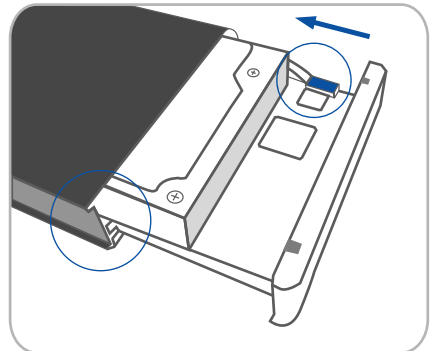
(pic 5.1-B)

- (2) Align the hard drive mounting holes with the holes on the back of the drive caddy. (pic 5.1-C)



(pic 5.1-C)

- (3) Secure the hard drive onto the drive caddy with the screws provided.
- (4) Insert the drive caddy back into the aluminum housing. Be sure to reconnect the LED cable before closing the unit. When reinserting the caddy, also be sure to align the top of the caddy with the guides on the housing. (pic 5.1-D)



(pic 5.1-D)

### Connecting the NexStar 3 to your computer:

- (1) Connect the type (B) USB connector to the NexStar3 and the type (A) USB connector to an available USB 1.1/2.0 port on your system.

Or

Connect the FireWire 800 or 400 cable from an available FireWire port on your system to either FireWire port on the NexStar 3. The other FireWire port is used for daisy chain.

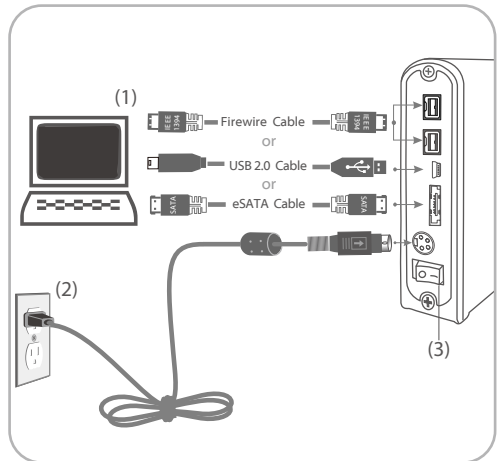
Or

Connect the eSATA connector to the NexStar 3 and to the eSATA port on your system. An internal SATA port can be converted to an eSATA port with the included adapter. (pic 5.1-E)

- (2) Connect the power cable to the NexStar 3 and plug the cable into an available outlet. (pic 5.1-E)
- (3) Turn on the NexStar 3 via the power switch.(pic 5.1-E)
- (4) Your operating system should detect the NexStar 3 and automatically install the necessary drivers. Once your operating system finishes setting up the NexStar 3, it will mount your hard drive. On Mac OS systems, the new volume should appear on the desktop. On a Windows PC, the new volume will appear under My Computer.
- (5) Your NexStar 3 External Hard Drive is now ready for use.

### NOTE :

For new hard drives, you will need to initialize and partition your hard drive before it will appear in Windows Explorer or on your Mac desktop. Please refer to your hard drive manufacturer's documentation or read the "Creating a New Partition" section of this manual.



(pic 5.1-E)

## 5.2 System Set Up

### Some tips before connecting your external storage enclosure :

- Please confirm that your system supports SATA.
- If your system does not support SATA, please install a SATA host card.
- To enable auto mount for SATA, your system must support Plug and Play.
- If required, update your OS or BIOS.
- Only one interface can be used at the time.
- Only one computer can access the drive at the time.
- Firewire can be daisy chained.
- All devices in a daisy chain have to be switched on to permit the hub/daisy chain function.
- Do not cover the device and leave enough space around it for better heat dissipation.
- Do not expose the product to water or humid conditions.
- If possible , arrange the cables well to avoid the cross by one another.
- Using the supplied cables and adapter is always recommended.

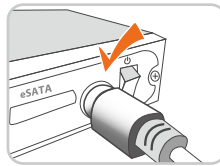
### NOTE :

If you can see the USB icon in the system tray , but there is no any disk appear in your computer, please confirm your hard disk is partitioned.

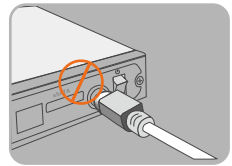
### WARNING :

Please be careful & plug the power adapter to your enclosure properly.

See below figures. ( pic 5.2-A , pic 5.2-B )



( pic 5.2-A )



( pic 5.2-B )

## 5.3 USB Mode

### Use in Vista X86 、 Vista 64 bit 、 Windows XP 、 Windows 2000 and MAC OS

#### 1. USB 1.1 Mode:

No driver is required for Vista X86, Vista 64-bit, Windows XP, Windows 2000 and Mac OS 9.1, 9.2, 10.1.5 or higher. NexStar 3 does not support Windows 98, Windows ME and Mac OS 9 or older in USB 1.1 mode.

#### 2. USB 2.0 Mode:

No driver is required for Vista X86, Vista 64-bit, Windows XP, Windows 2000 and MAC OS 10.2 or higher. NexStar 3 does not support Windows 98, Windows ME and Mac OS 10.1 or older in USB 2.0 mode.

## 5.4 eSATA Mode

**Use in Vista X86 、 Vista 64 bit 、 Windows XP 、 Windows 2000 and MAC OS**

No driver is required for Vista X86, Vista 64-bit, Windows XP, Windows 2000 and Mac OS 10.2 or higher. NexStar 3 does not support Windows 98, Windows ME and Mac OS 10.1 or older in eSATA mode.

## 5.5 FireWire 800/400(1394b/1394a) Mode

**Use in Vista X86 、 Vista 64 bit 、 Windows XP 、 Windows 2000 and MAC OS**

No driver is required for Vista X86, Vista 64-bit, Windows XP, Windows 2000 and Mac OS 10.2 or higher. NexStar 3 does not support Windows 98, Windows ME and Mac OS 10.1 or older in FireWire 800/400 mode.

## NOTE :

---

Because some motherboard does not support eSATA hot-plug and play function, if you meet this situation, please follow below steps to setup NexStar 3.

1. Shut down your computer.
  2. Turn on NextStar 3 then connect it to your computer.
  3. Power on your computer.
-

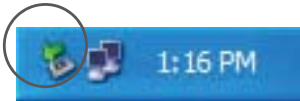
## 6. Disconnecting the NexStar 3:

### *NexStar 3 External 3.5" HDD Enclosure:*



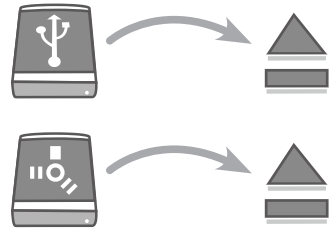
#### **Windows 2000/XP/Vista:**

- (1) Make sure all operations using the hard drive within the NexStar 3 has ceased.
- (2) Close any windows and programs pertaining to the NexStar 3 .
- (3) Double click the green "Unplug or Eject Hardware " icon in the system tray and select [ Safely Remove Hardware ]. Select the device you wish to remove and click on [Stop]. The system should prompt, "It is now safe to remove the USB device. " If not, wait for any programs still using the device to finish and try again."
- (4) Turn off the NexStar 3.
- (5) Unplug the USB cable or Firewire cable from the system.



#### **MacOS:**

- (1) Make sure all operations using the hard drive within the NexStar 3 has ceased.
- (2) Close any windows and programs pertaining to the NexStar 3.
- (3) From the Desktop, drag the NexStar 3 hard drive to the trash.
- (4) Turn off the NexStar 7.
- (5) Unplug the USB cable or Firewire cable from the system.



## **WARNING :**

NEVER remove the NexStar 3 while the hard drive is in use. Doing so may corrupt the data on the hard drive or damage the hard drive, NexStar 3, or computer.

## 7. Creating A New Partition:

**FOR Windows 2000 /XP/ Vista : users**

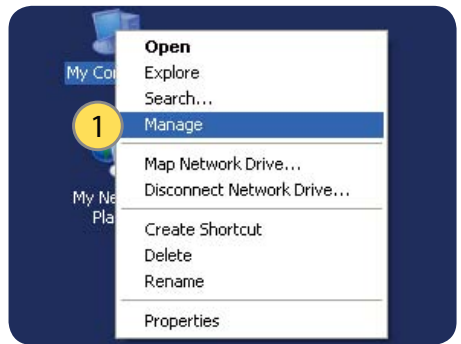
- (1) Right click on "My Computer" and choose "Manage". ( pic 7-A )
- (2) Under "Storage" on the LEFT pane, select "Disk Management" ( pic 7-B )
- (3) Windows should now give you the option to initialize the disk. If not,locate the new drive, right click on the new disk (where it reads "Disk #") and choose Initialize. (This step may not be required for some hard drives.) ( pic 7-B )
- (4) Go through the wizard.
- (5) Once complete,locate your hard drive in the bottom right pane. Right click on the area with a status bar (to the right of the "Disk #" area) and choose New Partition.

### WARNING :

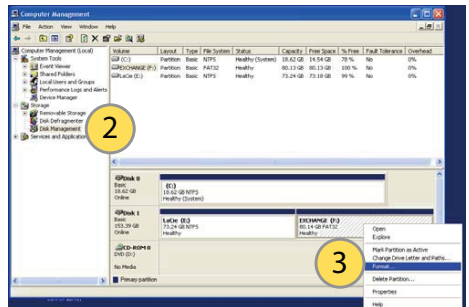
Doing the following setup will erase any existing data on the drive.

### NOTE :

Most hard drives should come with a CD that includes an installation program. If not, a download should be available on the manufacturer's website. The best way to partition a new hard drive is by using the manufacturer's program. However, if that is not possible, please try the following instead (if using Mac as 9 or below, please refer to your hard drive documentation for information on formatting / partitioning the hard drive):

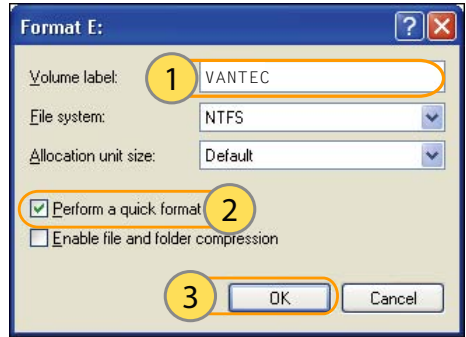


(pic 7-A)

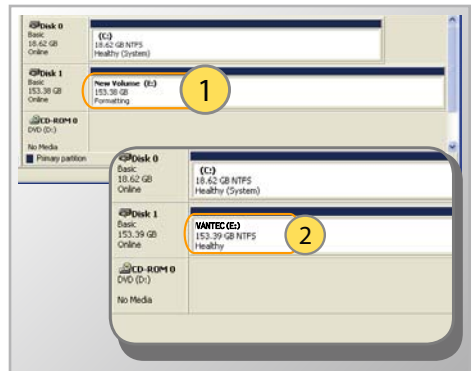


(pic 7-B)

- (6) Follow the directions of the wizard.  
The recommended partition type is "primary" and the recommended (pic 7-C) file system is "NTFS." Please note that Windows 2000/XP/Vista limits FAT32 partitions to only 32GB.
- (7) Windows Disk Management will format and parti-tion the disk according to your settings, and your drive will appear in My Computer, ready to use. (pic 7-D)
- (8) Once complete,you should now be able to see the drive in Windows Explorer.



(pic 7-C)



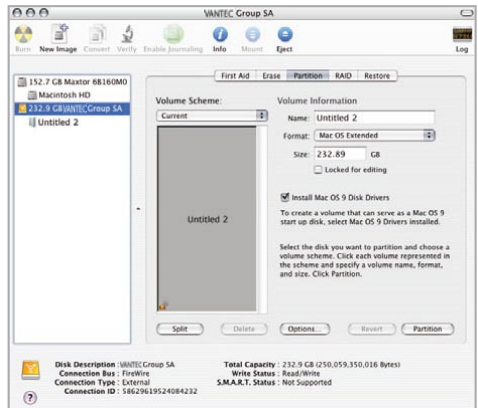
(pic 7-D)

## Formatting for Mac Users

1. Connect the drive to the computer and turn on the drive.
2. Select Utilities from the Go menu in the Finder menu bar.
3. In the Utilities folder, double-click Disk Utility.
4. The Disk Utility window will open. Select the volume labeled Vantec Desktop Hard Disk from the list of available hard disks on the left side of the window.
5. Select the Partition tab.
6. From the Volume Scheme: menu, choose the number of partitions you want to divide the drive into (Mac OS 10.x gives you the option of dividing the drive into at most 16 partitions). You can adjust the size of each partition using the slide bar between the partitions in the Volume Scheme : area.
7. In the Volume Information section, enter a name for each volume (partition), choose the volume format (Mac OS Extended, Mac OS Standard, UNIX File System, or MS-DOS).
8. Once you have finalized the volume options, click Partition. Click Partition again when the alert message appears to continue.
9. Mac Disk Utility will format and partition the disk according to your settings, and your drive will be ready to use.

## NOTE :

If the hard drive will not mount on your system, format the drive with a FAT32 or NTFS partition first through a PC system. Once formatted, connect the NexStar Enclosure to your Mac and run the Disk Utility tool again. You should now be able to format the drive into a Mac partition and mount the drive



(pic 7-E)

## ! WARNING :

Following these steps will erase everything from the Hard Disk. If you have data that you want to protect or continue to use, back up your data before performing these steps.



## 8. Troubleshooting / FAQ :

### About the Hard Disk :

**1. I can only find the USB icon in the system tray, but can't find the hard disk in "MY COMPUTER" after hardware installation ?**

A: Please make sure the HDD has been initialized and partitioned before hardware installation. Please refer to section 7. Creating A New Partition.

**2. Does the NexStar 3 have any compatibility issue with any 3.5 inches SATA HDD ?**

A: NexStar 3 might have compatibility issues with few older 3.5" SATA HDDs, but no problem with new versions of 3.5" SATA HDDs.

**3. What is the max. Capacity of FAT32 format ?**

A: Formatted through the Disk Management tool provided by Windows systems, the maximum formatted capacity of FAT32 is 32GB.

**4. What is the max. capacity that NexStar 3 can support ?**

A: Currently, the NexStar 3 supports Serial ATA hard drive up to 1TB. Updated information will be provided in the future as hard drive capacity increases.

**5. Does NexStar 3 supports multiple partitions with different formats (FAT32 or NTFS) ?**

A: Yes. NexStar 3 can support multiple partitions with different formats. You can format it under FAT32 and NTFS depending on your demand. Only under Windows ME and Windows 98SE, we recommend that it's better to use FAT32 FORMAT to all partitions because NTFS FORMAT is not supported by these two OS systems.

## About the USB Disk Function :

### 1. Does the NexStar 3 support USB bus-power ?

A: No. It doesn't support USB bus-power, the external power supply is mandatory. Using the supplied external power adapter is recommended.

## About the eSATA Function :

### 2. Why I can not find the disk in my computer after plug in eSATA cable ?

A: 1. Please make sure that the firmware is the latest version.  
2. Please make sure that your motherboard supports the hot swapping of eSATA.

## About the WINDOWS OS :

### 3. I can't find NexStar 3 under Windows 98 system. Does it support Windows 98 system ?

A: No, NexStar3 doesn't support Windows 98 system.

## About the 1394 Function :

### 4. What is DAISY CHAIN function ? How to use it ?

A: A daisy chain is an interconnection of computer devices, peripherals, or network nodes in series, one after another. A single FireWire port can support up to 63 external devices connected in a daisy chain, just like USB hub. You only need to attach two or more 1394 devices one by one. But not all 1394 devices support daisy chain function. If NexStar 3 co-works with other Firewire devices but failed to support daisy chain, please contact the manufacturers to check if their devices support daisy chain function.

## 9. Warranty:

The NexStar 3 comes with a 1 year limited warranty ( 90 day parts ) . If your unit should become defective within that time frame, please go to <http://www.vantecusa.com> for information on how to receive warranty exchange or repair. Cosmetic defects and missing parts are not covered under this warranty. Please check the contents of the unit to make sure you received all parts. Also, check for any cosmetic flaws. If any parts are missing or if there are cosmetic defects, please contact the retailer from which you purchased the unit immediately and ask for a replacement.

## 10.Contact :

### **Vantec Thermal Technologies**

43951 Boscell Rd.

Fremont, CA 94538

tel: 510-668-0368

fax: 510-668-0367

website: [www.vantecusa.com](http://www.vantecusa.com)

Copyright © 2008 Vantec Thermal Technologies. All Right Reserved.  
All Registered Trademarks Belong To Their Respective Companies.

## Free Manuals Download Website

<http://myh66.com>

<http://usermanuals.us>

<http://www.somanuals.com>

<http://www.4manuals.cc>

<http://www.manual-lib.com>

<http://www.404manual.com>

<http://www.luxmanual.com>

<http://aubethermostatmanual.com>

Golf course search by state

<http://golfingnear.com>

Email search by domain

<http://emailbydomain.com>

Auto manuals search

<http://auto.somanuals.com>

TV manuals search

<http://tv.somanuals.com>