

## DANGER

Please read the following warnings carefully before using your FirePlace. Failure to follow these warnings may result in serious bodily injury or death, or in a fire causing damage to property.

## WARNINGS

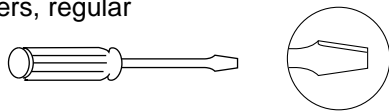
- The Weber FirePlace is designed solely for outdoor use. Indoor use can be lethal.
- Use only on noncombustible surfaces, such as brick, flagstone, concrete, etc. Do not use on a wooden deck.
- Keep away from flammable materials, buildings and vehicles when in use.
- Exercise the same care that you would with an open campfire.
- Your Weber FirePlace is not to be used by children.
- Keep away from flammable fluids such as gasoline, charcoal lighter fluid and alcohol, etc.
- Keep children and pets away from the FirePlace when in use.
- Never wear loose-fitting or flammable clothing (such as nylon) when in use.
- Do not overload. Before starting the fire make sure the lid is capable of closing. Overloading can be dangerous if the lid cannot extinguish the fire.
- Do not use soft woods, like pine or cedar. Soft woods may "pop" and throw sparks.
- Do not burn leaves, paper, plywood or trash in the Weber FirePlace.
- Do not use volatile fluids, such as gasoline, charcoal lighter fluid or alcohol, to light or relight fires.
- Use only sturdy, long-handled fireplace equipment, when adding or moving logs.
- Do not attempt to move the FirePlace when in use or hot.
- Use barbecue mitts when handling, because surfaces will be hot when in use.
- Fill the Weber FirePlace bottom with approximately two pounds of sand before use. This helps to insulate the bottom of the FirePlace.
- Always extinguish fire with the lid. Do not douse with water; this will fracture the porcelain finish. Wood fires take a long time to extinguish. The Weber FirePlace and the ashes inside may remain hot for some time. Leave the lid closed until the Weber FirePlace is cold.
- Do not store the Weber FirePlace with combustible materials or ashes inside.



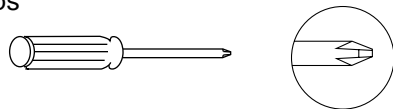
# Assembly

## Tools needed

Screwdrivers, regular



and Phillips



7/16 inch open-end or an adjustable wrench



## Step 1

### Check Package Contents

You should have received the parts shown below with your Weber FirePlace. In the unlikely event a part is missing or damaged, do not return the FirePlace, instead contact:

#### WEBER-STEPHEN PRODUCTS COMPANY

Customer Service Center

250 South Hicks Road

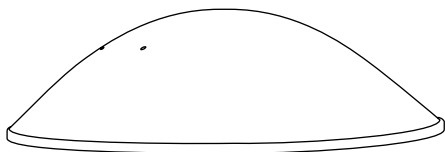
Palatine, IL 60067-6241

(708) 705-8660

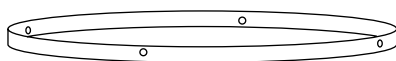
(800) 446-1071

## Parts

Lid



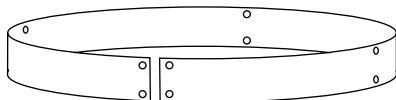
Upper support ring



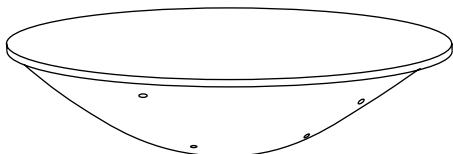
Four uprights



Lower support ring



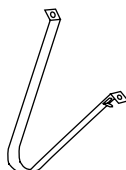
Bottom



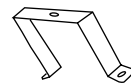
Heat deflector



Four legs



Two steel handles



Two top wood handles



Two bottom wood handles



Two wood screws



Sixteen large fiber washers



Eight small fiber washers



Twenty 1/4 inch steel washers



Twenty-four 1/4-20 hex nuts



Twenty-four 1/4-20 x 5/8 inch machine screws



## Step 2

### Install Steel Handles

You will need: lid, eight small fiber washers, eight steel washers, two steel handles, four machine screws, four hex nuts, a regular screwdriver and wrench.

Install handles as shown in Figure 1.

**CAUTION: Do not overtighten; you may crack the porcelain finish.**

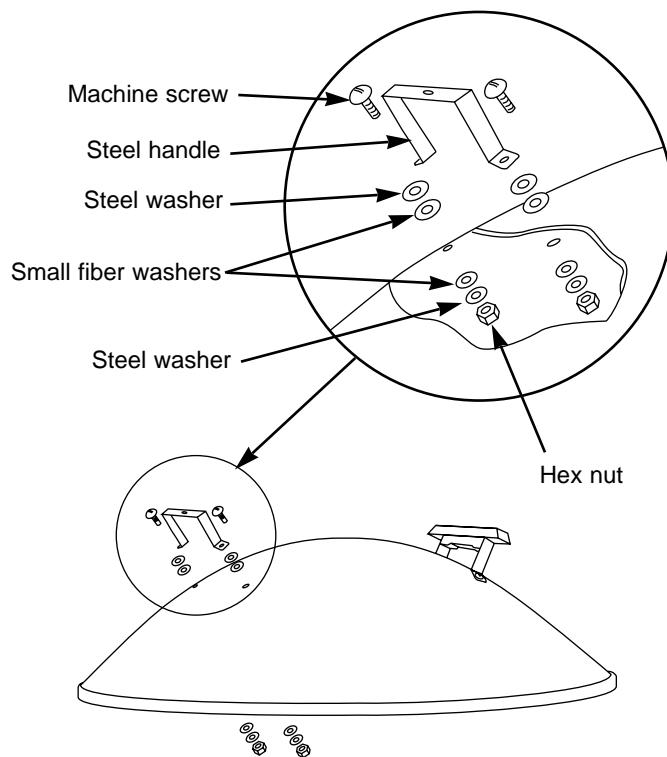


Figure 1

### Step 3

#### Install Wood Handles

You will need: lid assembly, two top wood handles, two bottom wood handles, two wood screws and a Phillips screwdriver.

Install handles as shown in Figure 2.

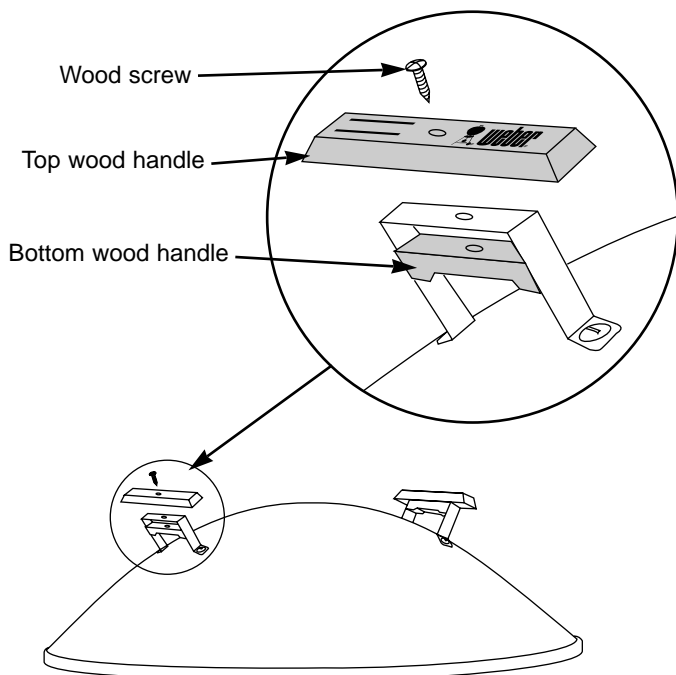


Figure 2

### Step 4

#### Install Three Legs

You will need: three legs, bottom, six machine screws, twelve large fiber washers, nine steel washers, six hex nuts, a regular screwdriver and wrench.

Install only three legs as shown in Figure 3. Note that the machine screws are not installed in the same direction.

**CAUTION: Do not overtighten; you may crack the porcelain finish.**

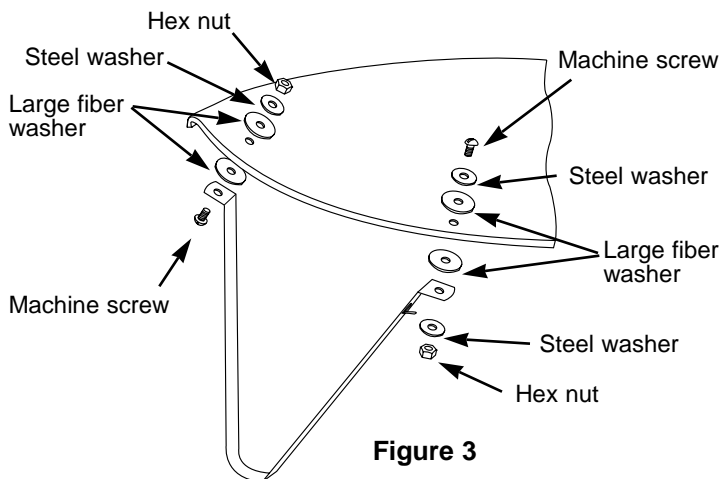


Figure 3

### Step 5

#### Install Heat Deflector and Fourth Leg

You will need: heat deflector, bottom assembly, one leg, two machine screws, four large fiber washers, three steel washers, two hex nuts, a regular screwdriver and wrench.

Insert the heat deflector between the three legs and position it so it rests on all the leg tabs, as shown in Figure 4.

Now install the fourth leg using the procedure shown in Figure 3, and making sure the heat deflector rests on all leg tabs.

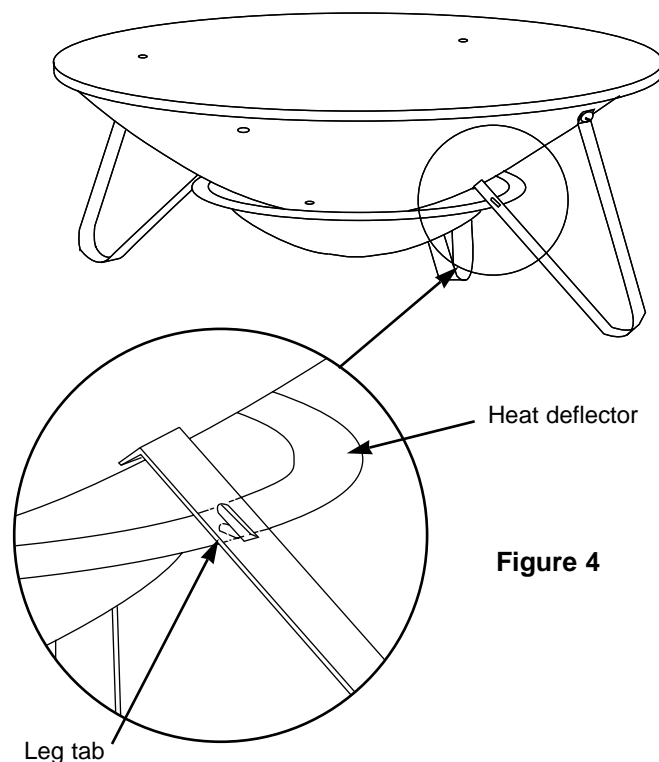


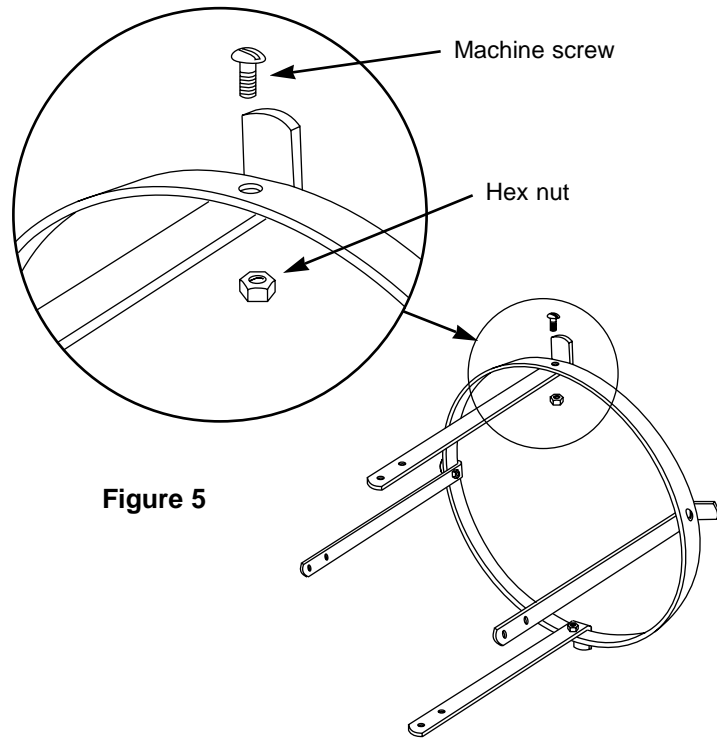
Figure 4

## Step 6

### Assemble Upper Support Ring

You will need: four uprights, upper support ring, four machine screws, four hex nuts.

Assemble uprights as shown in Figure 5.

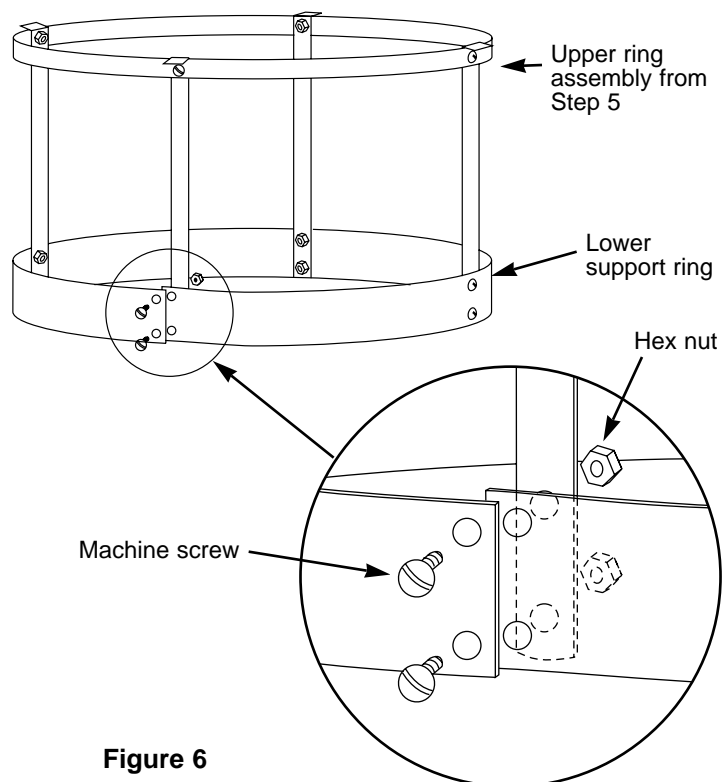


## Step 7

### Assemble Lower Support Ring

You will need: lower support ring, upright assembly, eight machine screws, eight hex nuts, a screwdriver and wrench.

Assemble lower support ring as shown in Figure 6.



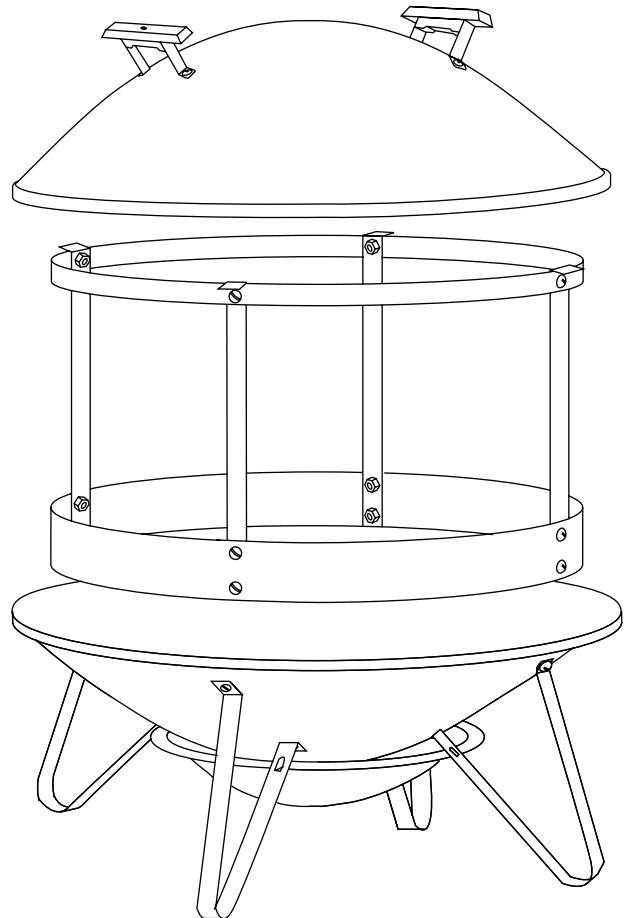
## Step 8

### Final Assembly

You will need: bottom assembly, ring assembly, lid assembly.

Place the ring assembly inside the FirePlace bottom with the lower support ring down. Figure 7.

Place the FirePlace lid on the upper support ring. It should rest on the upright tabs.



## Free Manuals Download Website

<http://myh66.com>

<http://usermanuals.us>

<http://www.somanuals.com>

<http://www.4manuals.cc>

<http://www.manual-lib.com>

<http://www.404manual.com>

<http://www.luxmanual.com>

<http://aubethermostatmanual.com>

Golf course search by state

<http://golfingnear.com>

Email search by domain

<http://emailbydomain.com>

Auto manuals search

<http://auto.somanuals.com>

TV manuals search

<http://tv.somanuals.com>