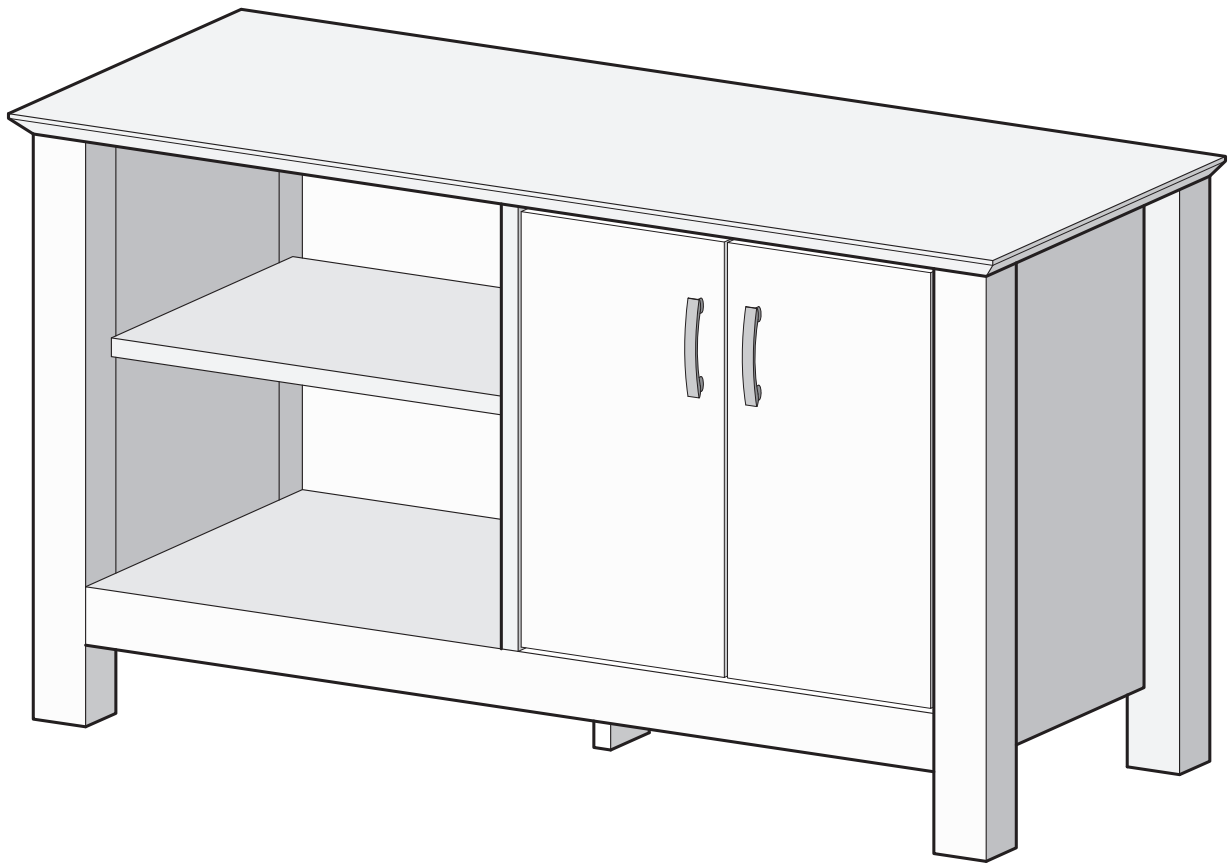


**W** Walker  
Edison  
furniture company

Item #: W44COS  
Assembly Instructions

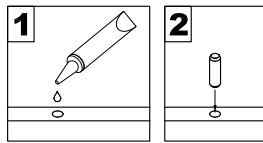


*For our most current instructions, to request missing, lost or broken parts, or for any other Customer Service issues, please visit our website at [www.walkeredison.com](http://www.walkeredison.com) or call us at 877-207-5906.*

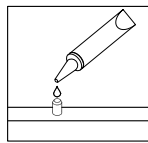
Revised 02/2011

# General Assembly Guidelines

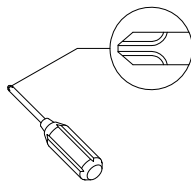
- I. Ensure that all parts and hardware are available before beginning assembly.
- II. Follow each step carefully to ensure the proper assembly of this product.
- III. Two people are recommended for ease in the assembly of this product.
- IV. The main types of hardware used to assemble this product are: wood dowels, cam bolts and locks, bolts and screws.
- V. The provided glue is to secure wood dowels in place. When first inserting dowels, locate the appropriate hole for the dowel, place a small amount of glue in the hole and insert the dowel. Wipe away excess glue immediately.



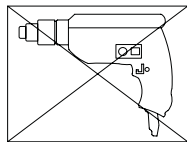
In future assembly steps when dowels are necessary to attach assembly parts together, place a small amount of glue on the end of the dowel before attaching parts together. Wipe away excess glue immediately.



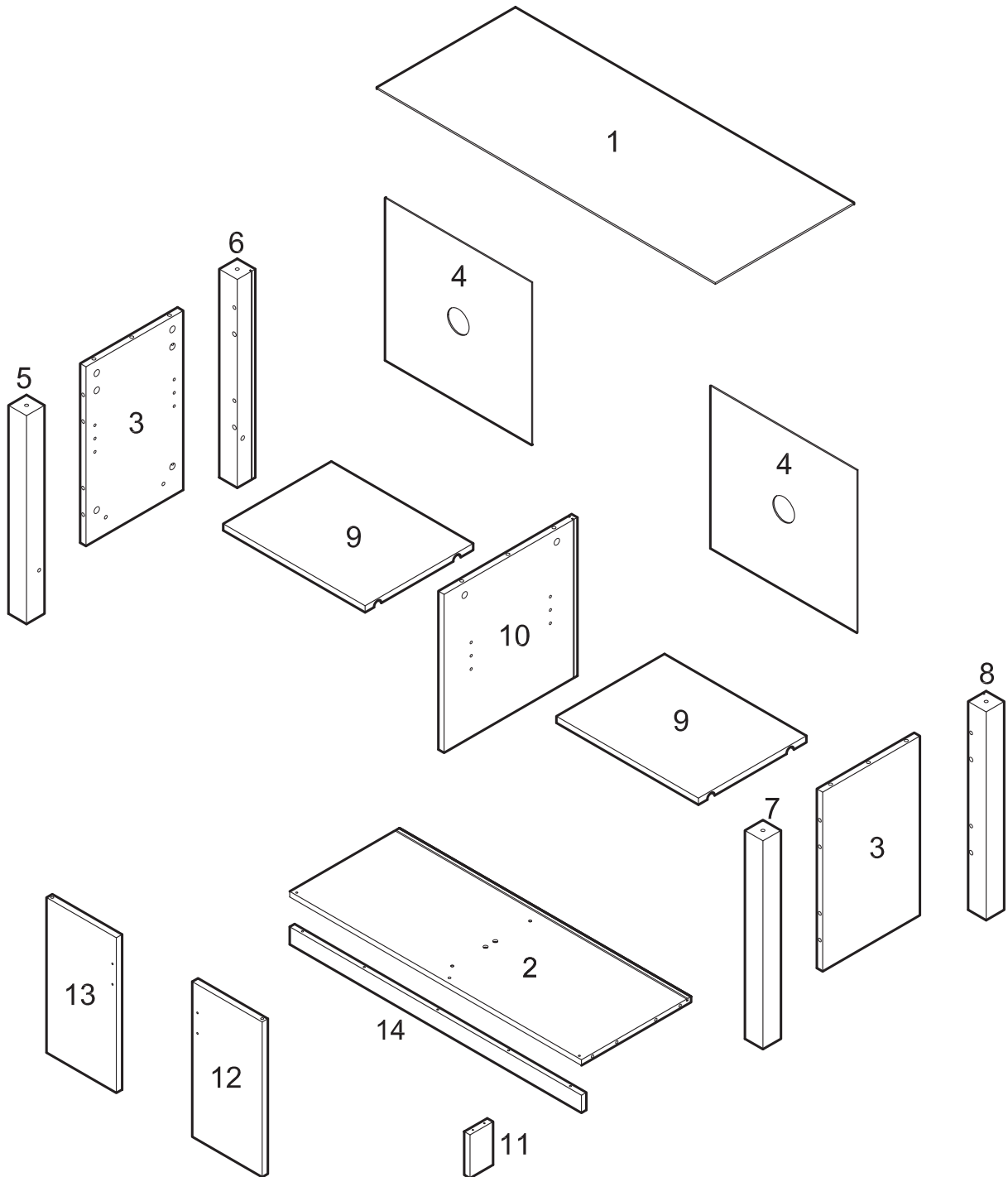
- VI. A Phillips head screwdriver is required for the assembly of this product.







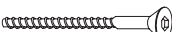

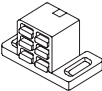
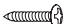










- VII. Power tools should not be used to assemble this product.



# Parts List

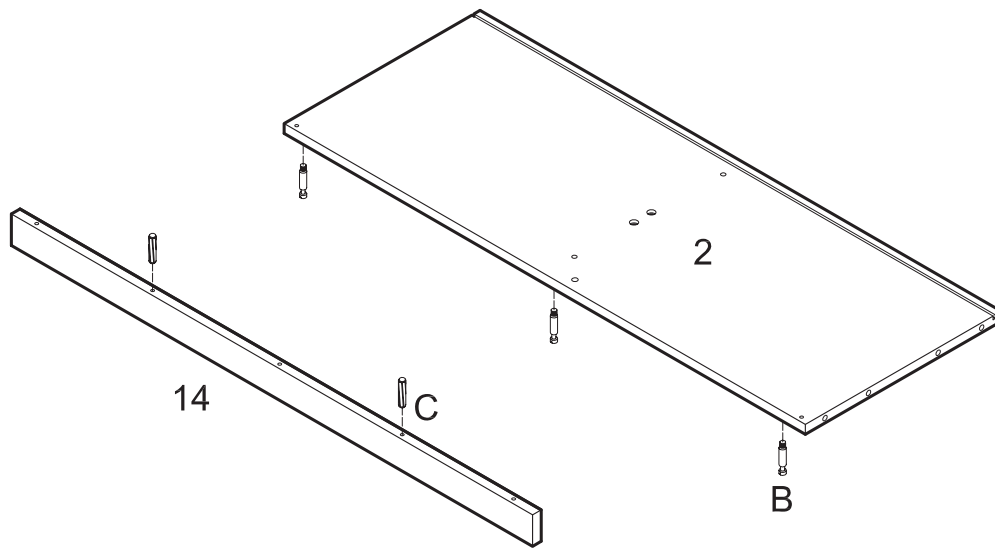


# Hardware List

A		Ø15x12mm	Cam lock	21 pcs
B		Ø6x35mm	Cam bolt	21 pcs
C		Ø8x30mm	Wood dowel	21 pcs
D			Glue tube	2 pcs
E		Ø6x50mm	Long bolt	4 pcs
F		Ø4mm	Wrench	1 pc
G			Door stopper	1 pc
H		Ø3x15mm	Screw	2 pcs
I		Ø8x15x24mm	Fixed door hinge	2 pcs
J		Ø8x15x24mm	Spring door hinge	2 pcs
K		Ø5x8D13	Short bolt	2 pcs
N			Handle	2 pcs
P			Screw	4 pcs
Q		Ø8x12D9	Plastic pivot	4 pcs
R			Plastic wedge	8 pcs
S		Ø3x14mm	Screw	8 pcs
T			Shelf support pin	8 pcs
U			Sticker	18 pcs

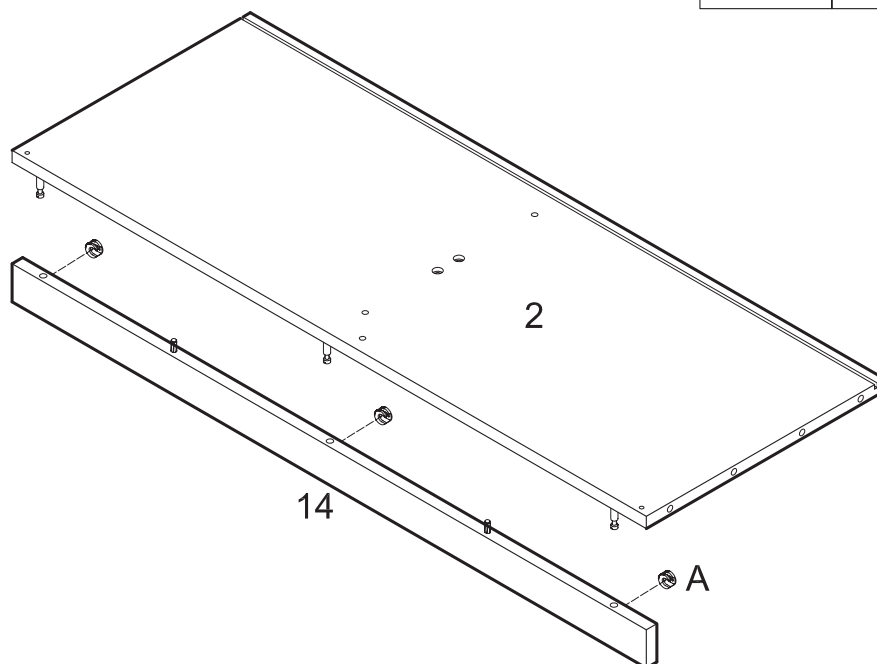
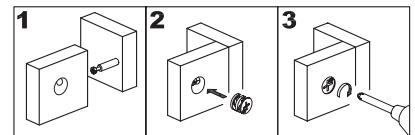
*The hardware quantities listed above are required for proper assembly.  
Some extra hardware may also have been included.*

# Step 1



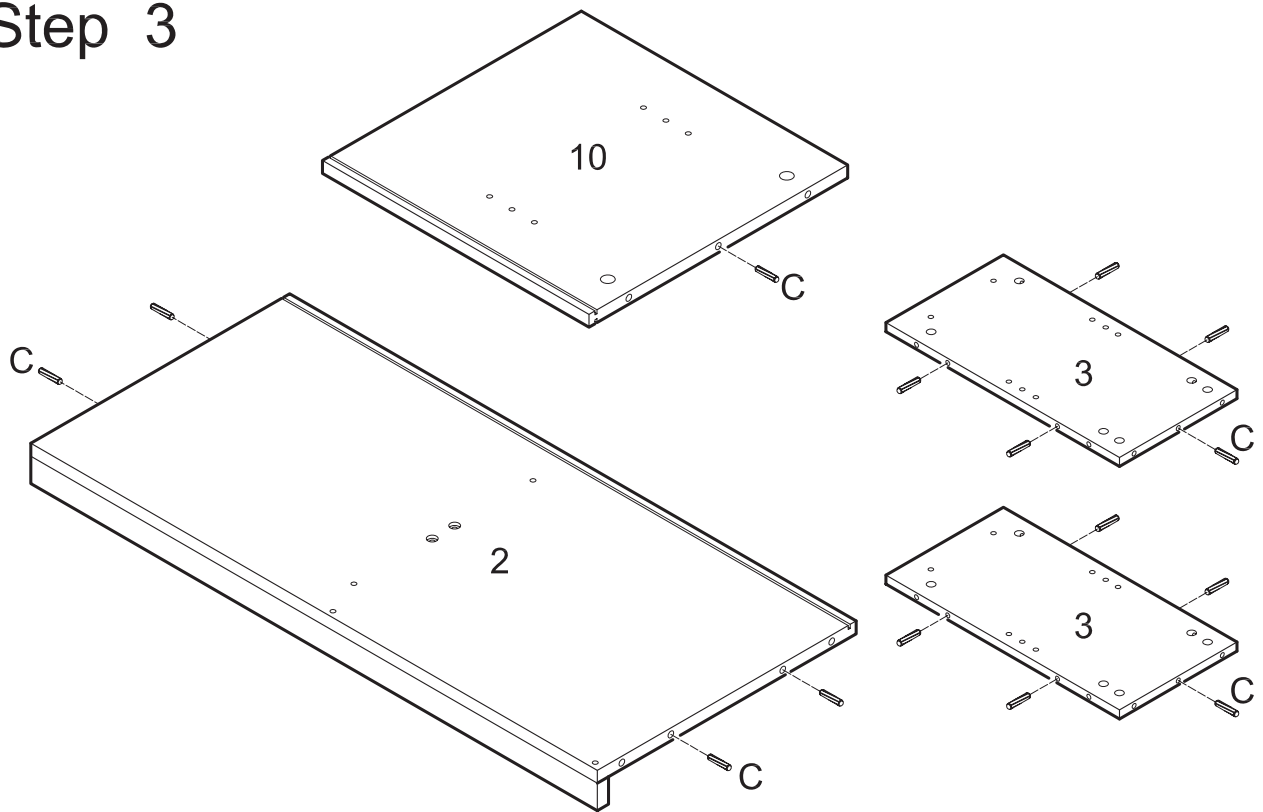
Screw cam bolts (B) into panel (2). Insert dowels (C) into slat (14).

# Step 2



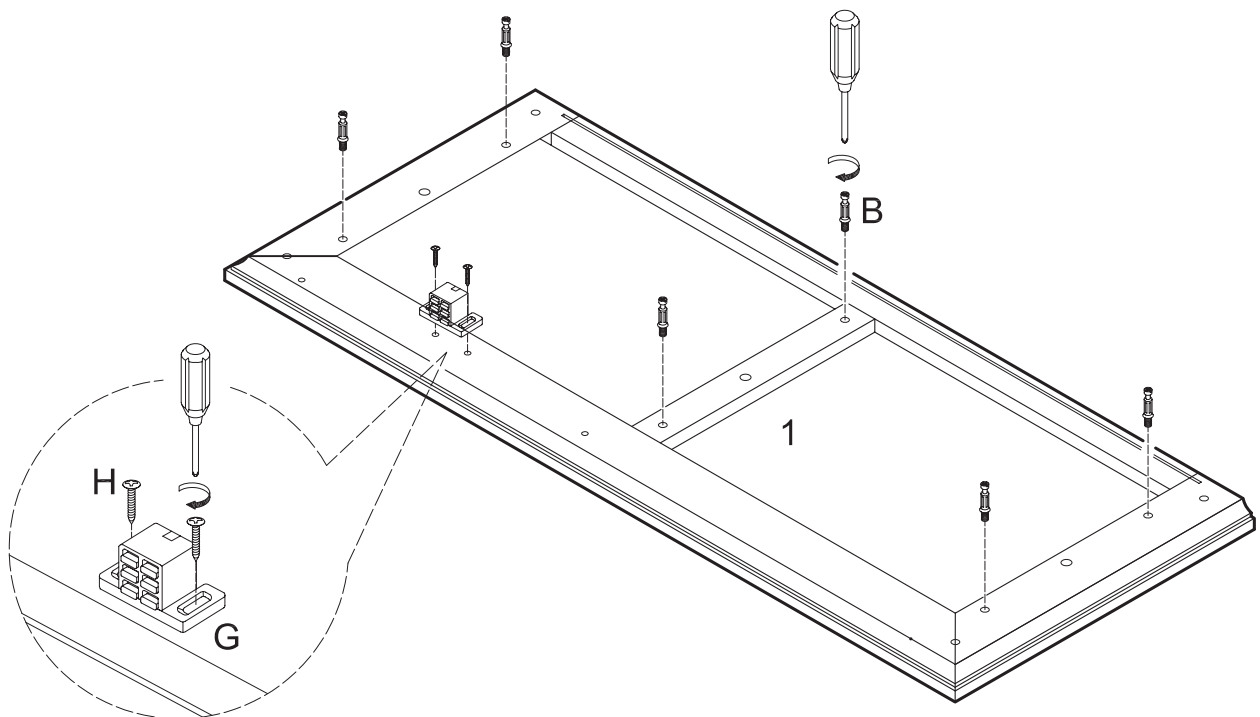
Attach slat (14) to panel (2) using cam bolts and dowels as guides. Insert cam locks (A) into slat (14) and tighten with a screwdriver.

## Step 3



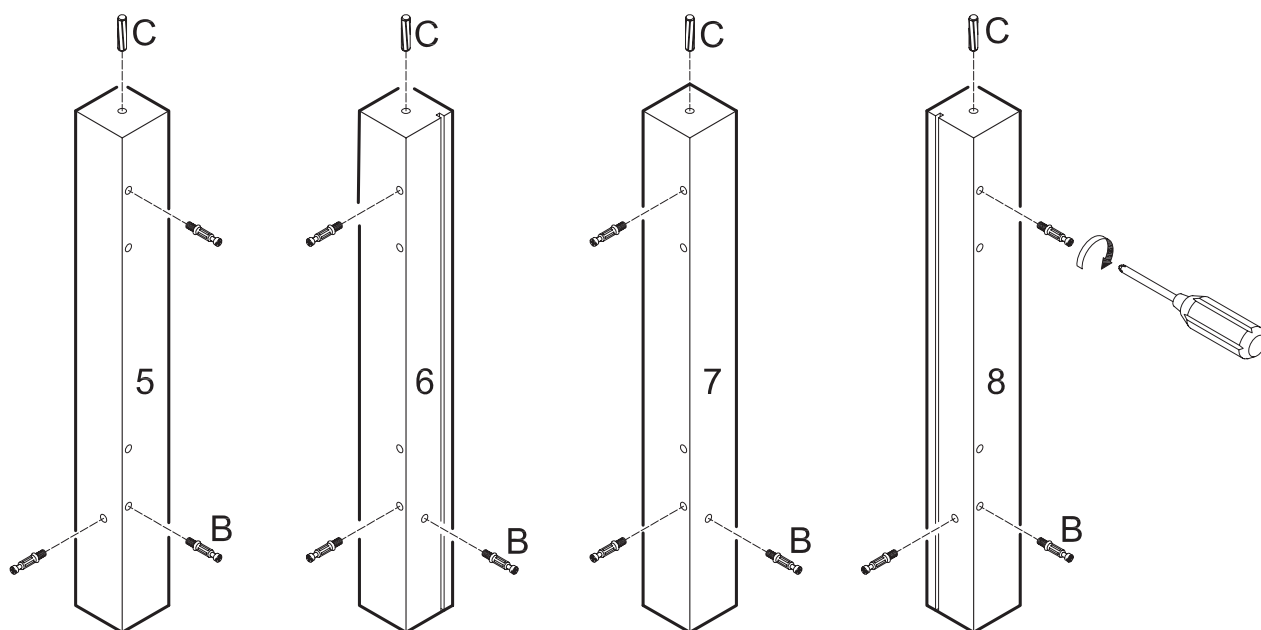
Insert dowels (C) into panels (2,3,10).

## Step 4



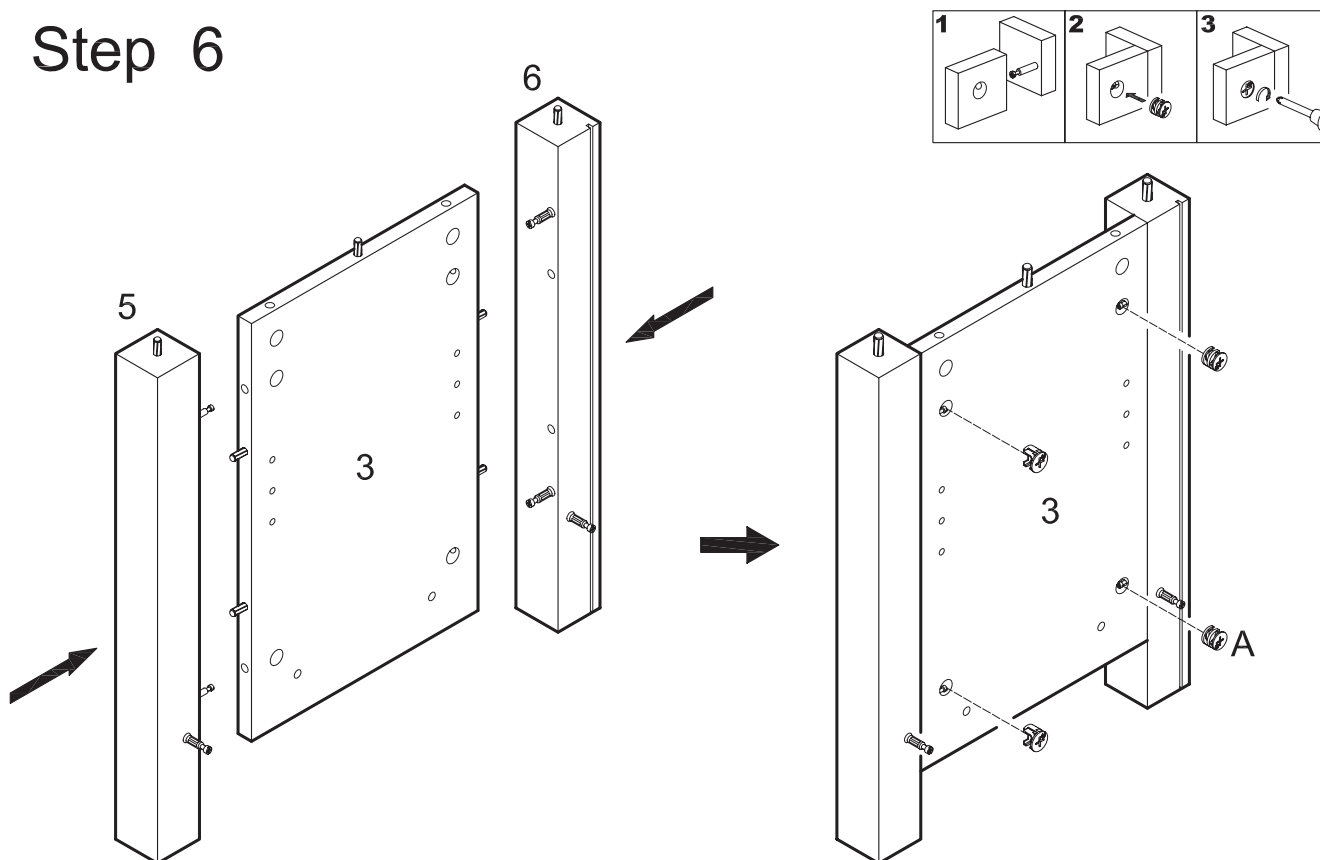
Screw cam bolts (B) into stand top (1). Attach door stopper (G) to stand top (1) using screws (H).

## Step 5



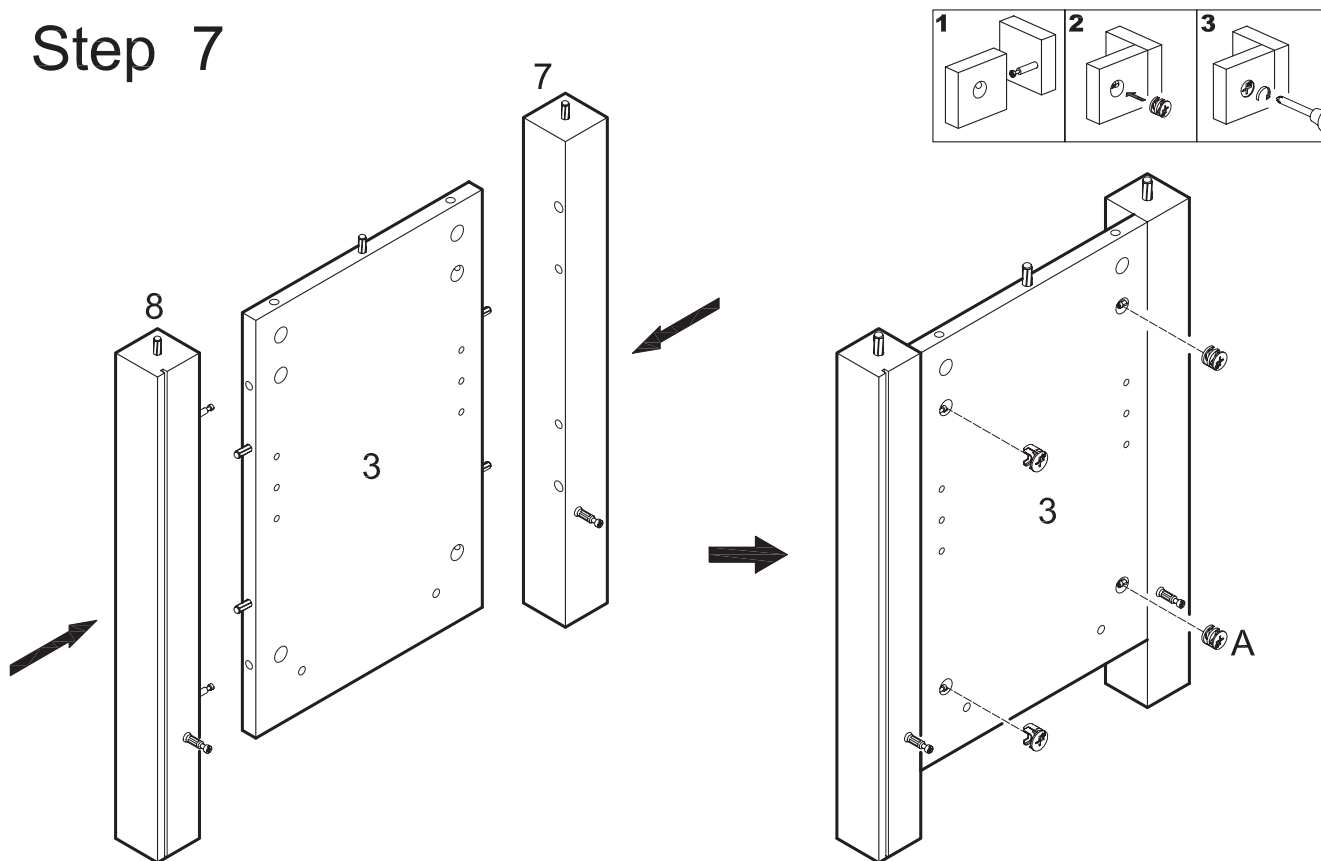
Screw cam bolts (B) into legs (5,6,7,8). Insert dowels (C) into legs (5,6,7,8).

## Step 6



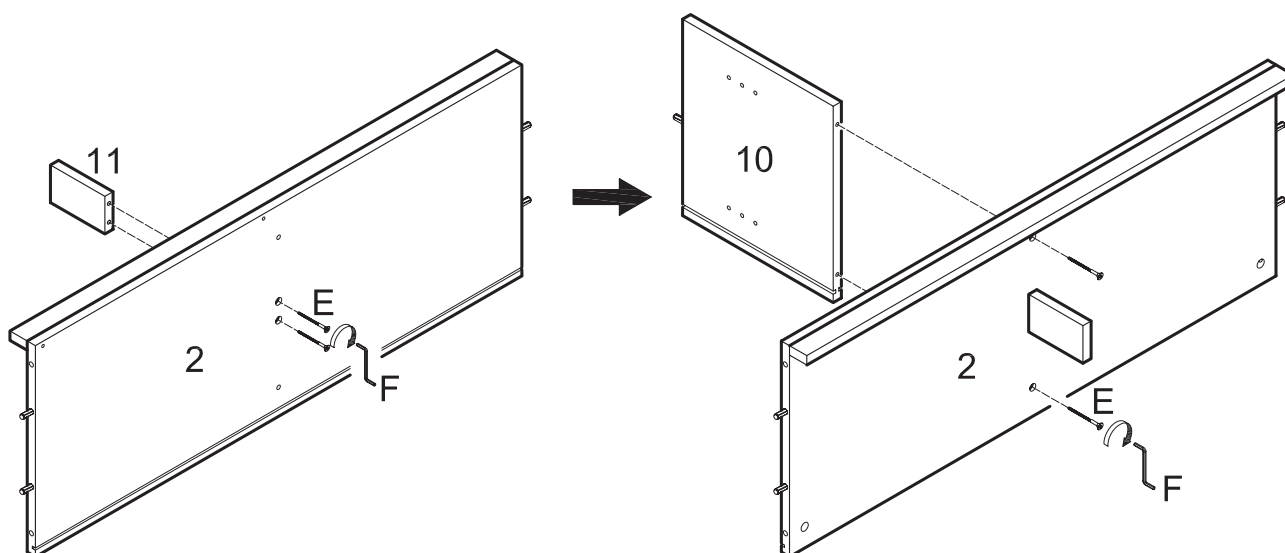
Attach legs (5,6) to panel (3) using cam bolts and dowels as guides. Insert cam locks (A) into panel (3) and tighten with a screwdriver.

## Step 7



Attach legs (7,8) to second panel (3) using cam bolts and dowels as guides. Insert cam locks (A) into panel (3) and tighten with a screwdriver.

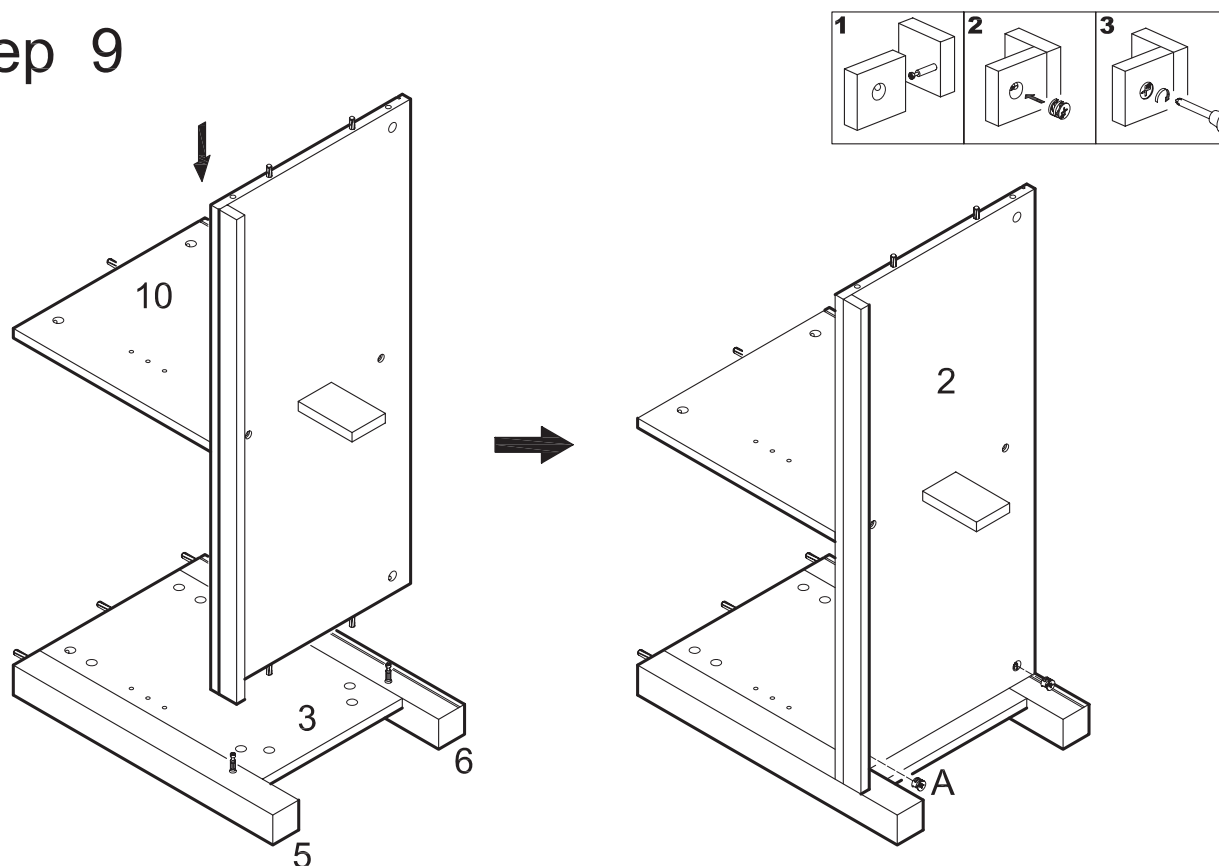
## Step 8



Attach support leg (11) to panel (2) using long bolts (E). Tighten long bolts (E) with wrench (F). Attach panel (10) to opposite side of panel (2) using long bolts (E). Tighten long bolts (E) with wrench (F).

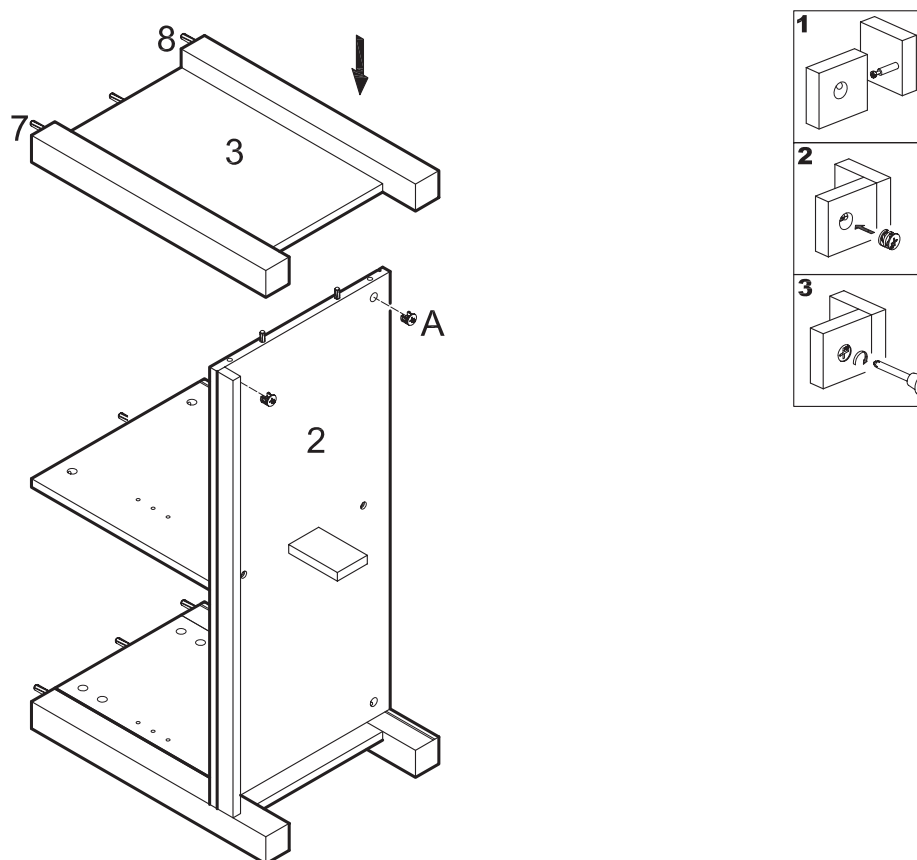


## Step 9



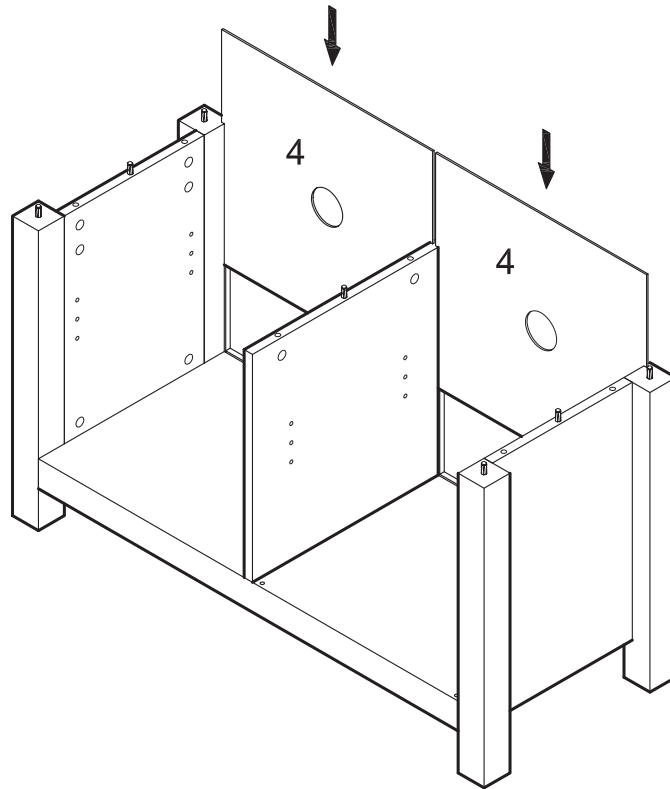
Attach the assembly from the previous step to the leg assembly from Step 6 using cam bolts and dowels as guides. Insert cam locks (A) into panel (2) and tighten with a screwdriver.

## Step 10



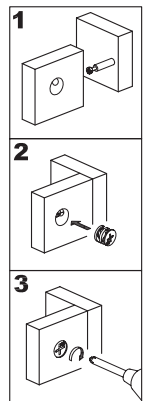
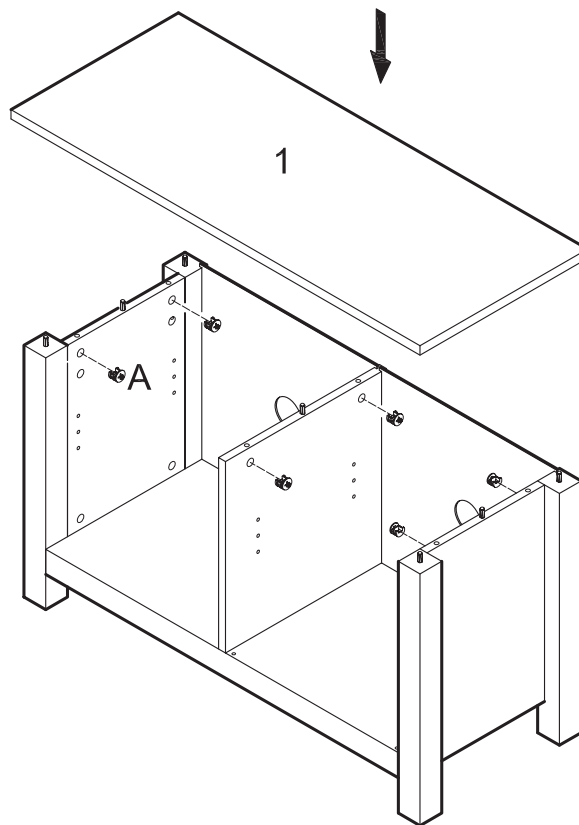
Attach the leg assembly from Step 7 to panel (2) using cam bolts and dowels as guides. Insert cam locks (A) into panel (2) and tighten with a screwdriver.

## Step 11



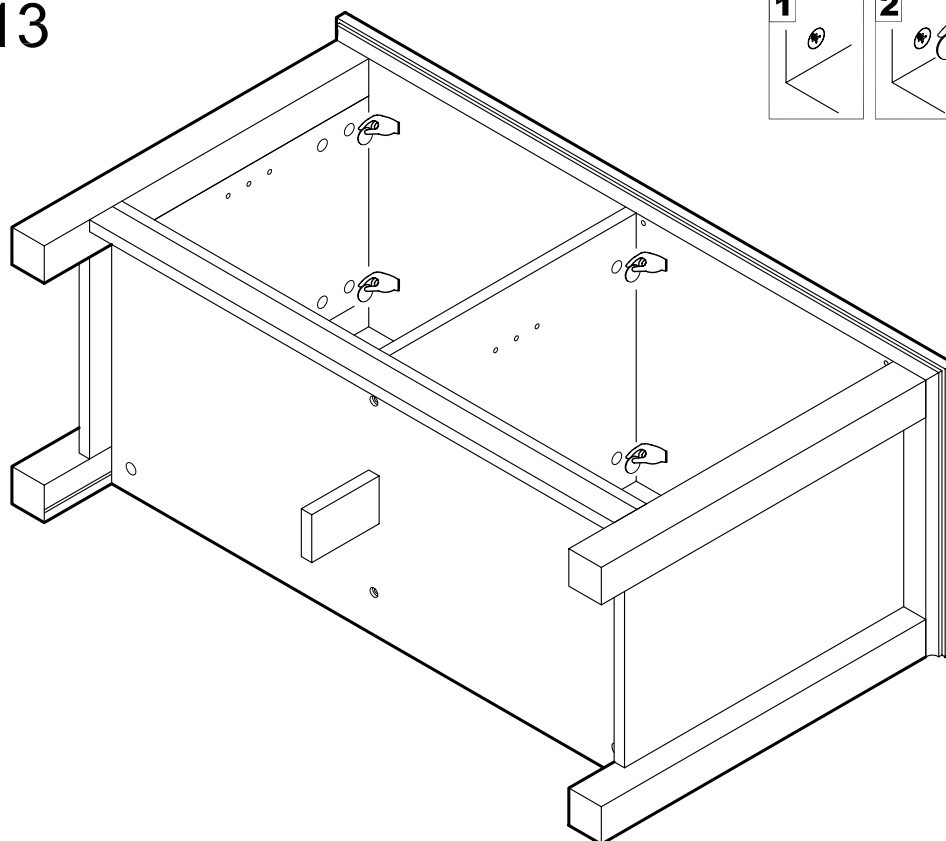
Carefully slide back panels (4) into place along the grooves at the back of the stand assembly.

## Step 12



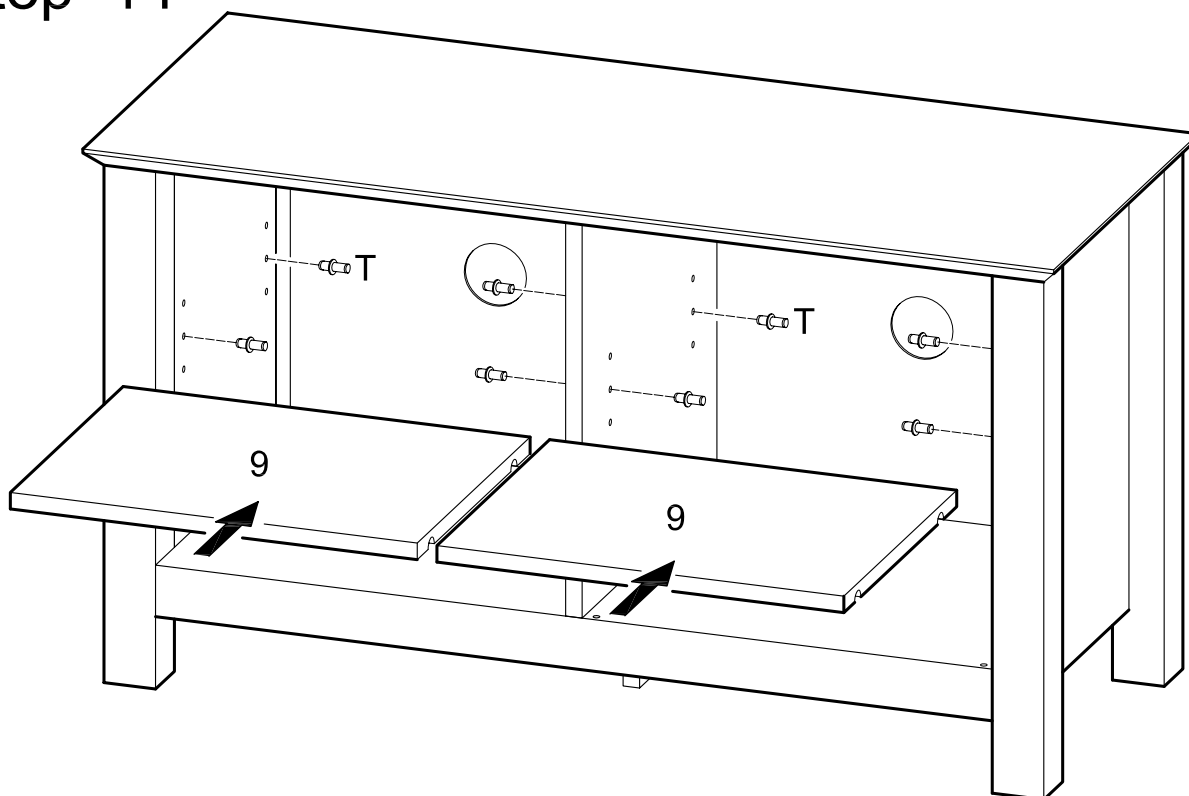
Insert cam locks (A) into the stand assembly. Attach stand top (1) to the stand assembly using cam bolts and dowels as guides. Tighten cam locks (A) with a screwdriver.

## Step 13



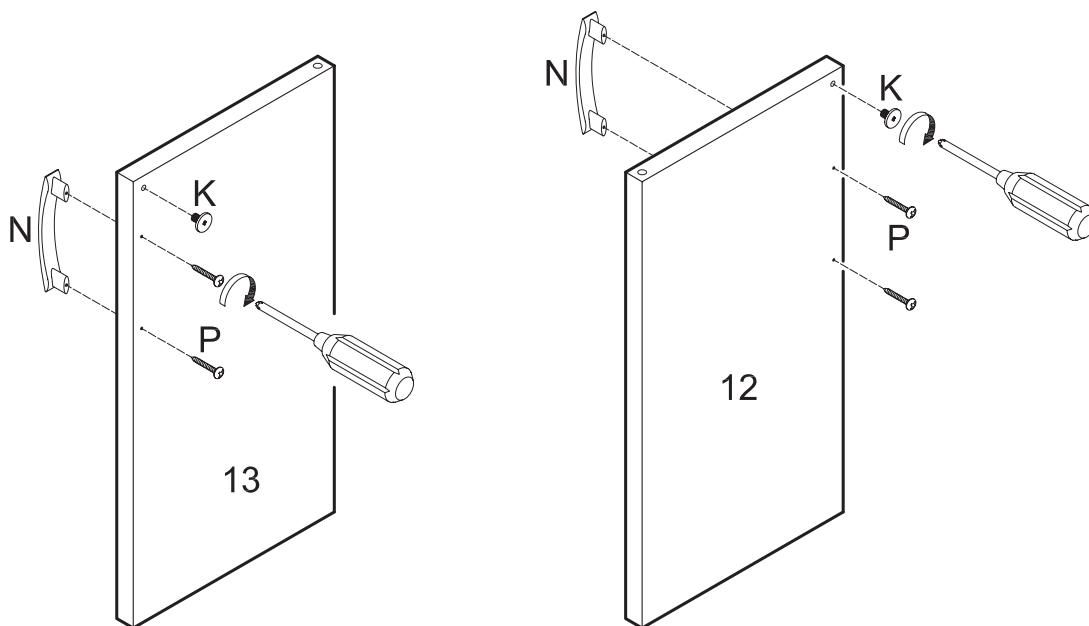
Cover all visible cam locks with the provided stickers as desired.

## Step 14



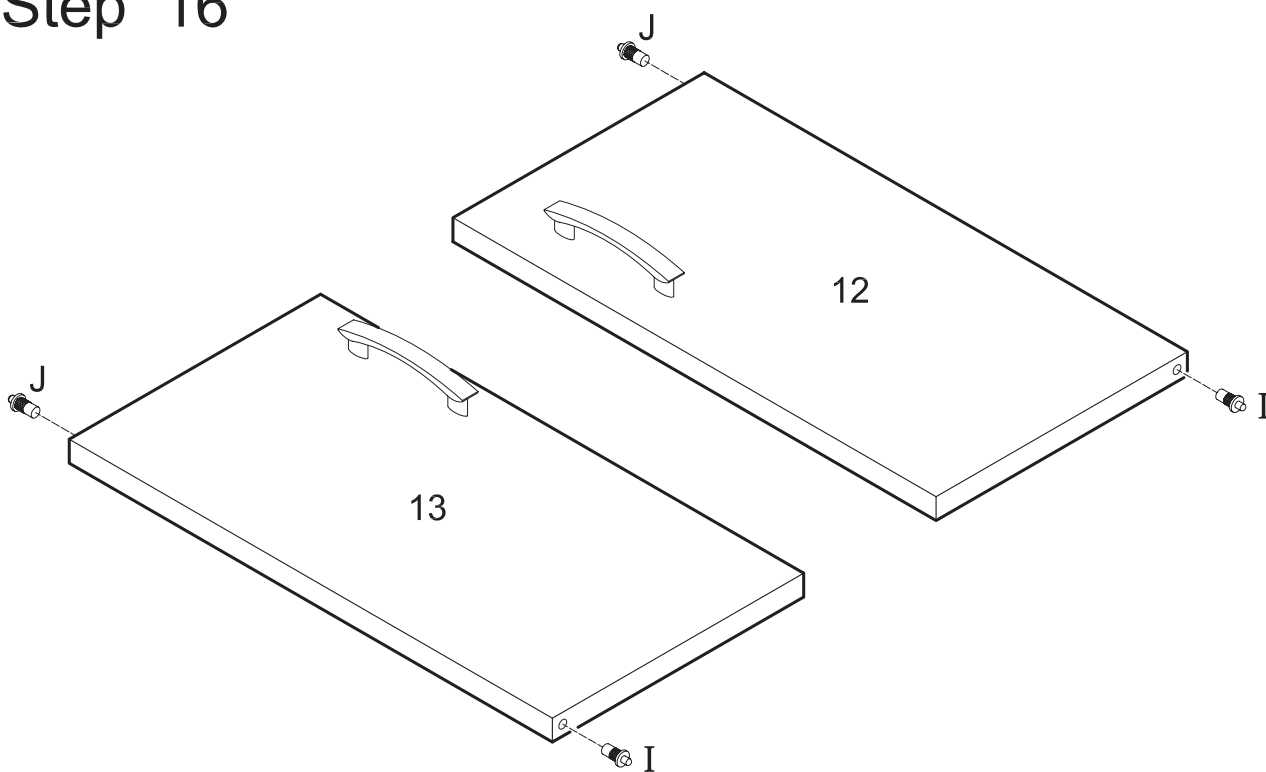
Insert shelf support pins (T) into the stand assembly at desired shelf heights. Carefully slide shelves (9) into place resting on shelf support pins (T).

## Step 15



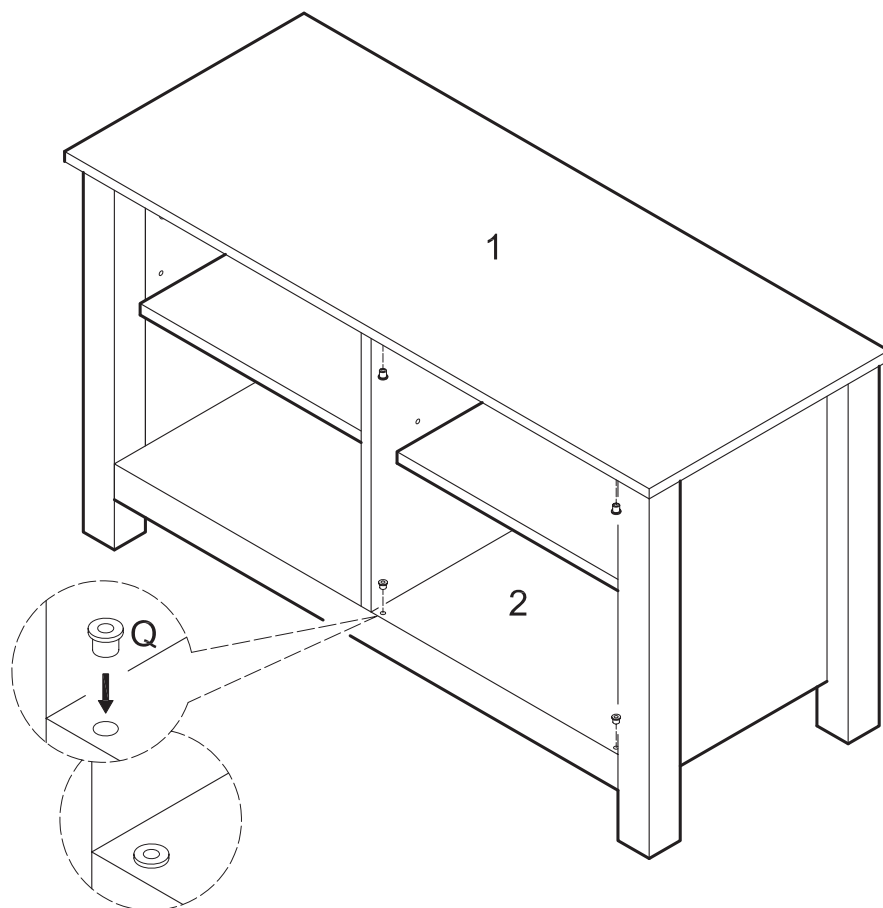
Attach handles (N) to doors (12,13) using screws (P). Screw short bolts (K) into doors (12,13).

## Step 16



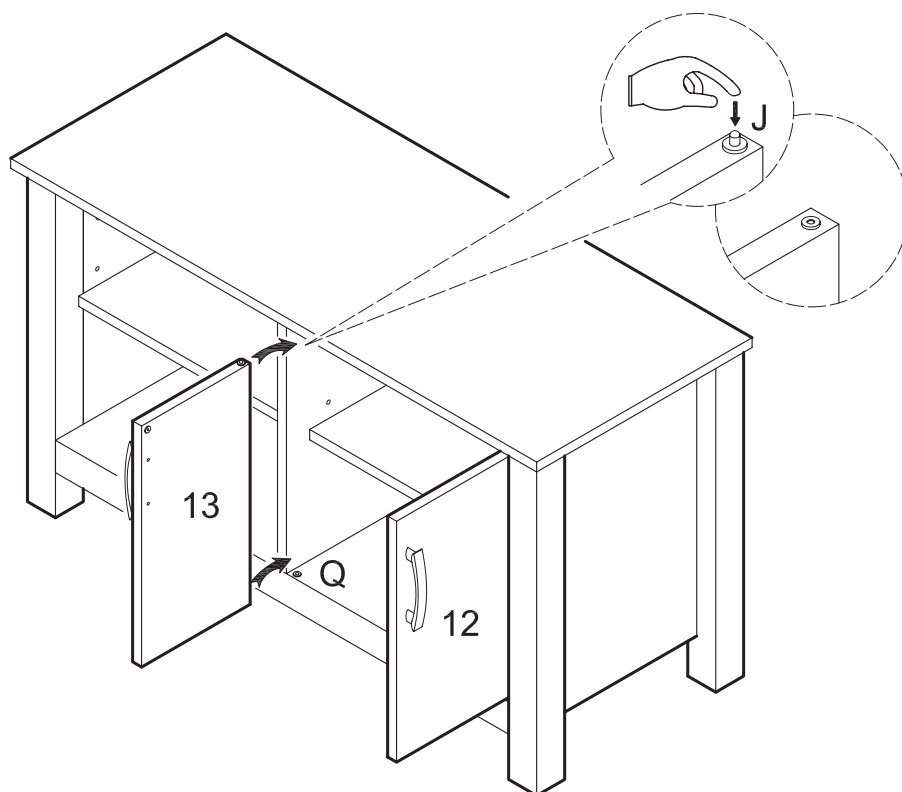
Insert fixed door hinges (I) and spring door hinges (J) into doors (12,13).

## Step 17



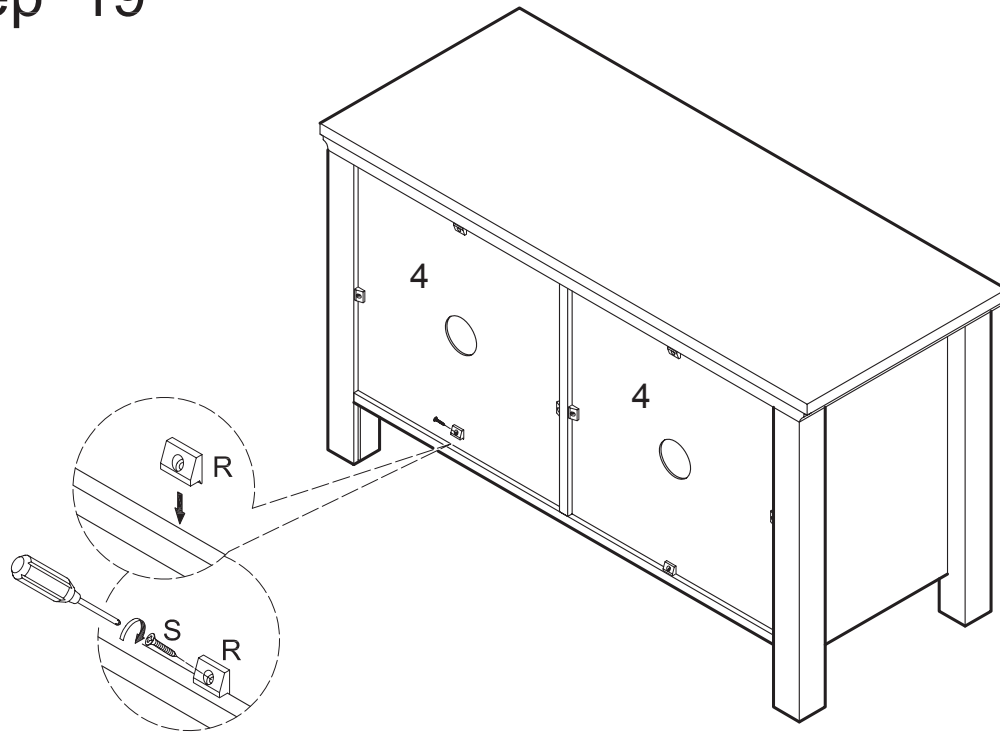
Insert plastic pivots (Q) into stand top (1) and panel (2).

## Step 18



Attach door (12) to the stand assembly by inserting fixed door hinge (I) into bottom plastic pivot (Q). Depress spring door hinge (J) as you slide door (12) into place. *Spring door hinge (J) will release into top plastic pivot (Q) locking door (12) into place.* Repeat this process for door (13).

## Step 19



Secure back panels (4) using plastic wedges (R) and screws (S). *The thin lip of each plastic wedge (R) will fit between back panel (4) and the solid wood of the stand assembly.*

## Step 20



**Final Assembly**

## Free Manuals Download Website

<http://myh66.com>

<http://usermanuals.us>

<http://www.somanuals.com>

<http://www.4manuals.cc>

<http://www.manual-lib.com>

<http://www.404manual.com>

<http://www.luxmanual.com>

<http://aubethermostatmanual.com>

Golf course search by state

<http://golfingnear.com>

Email search by domain

<http://emailbydomain.com>

Auto manuals search

<http://auto.somanuals.com>

TV manuals search

<http://tv.somanuals.com>