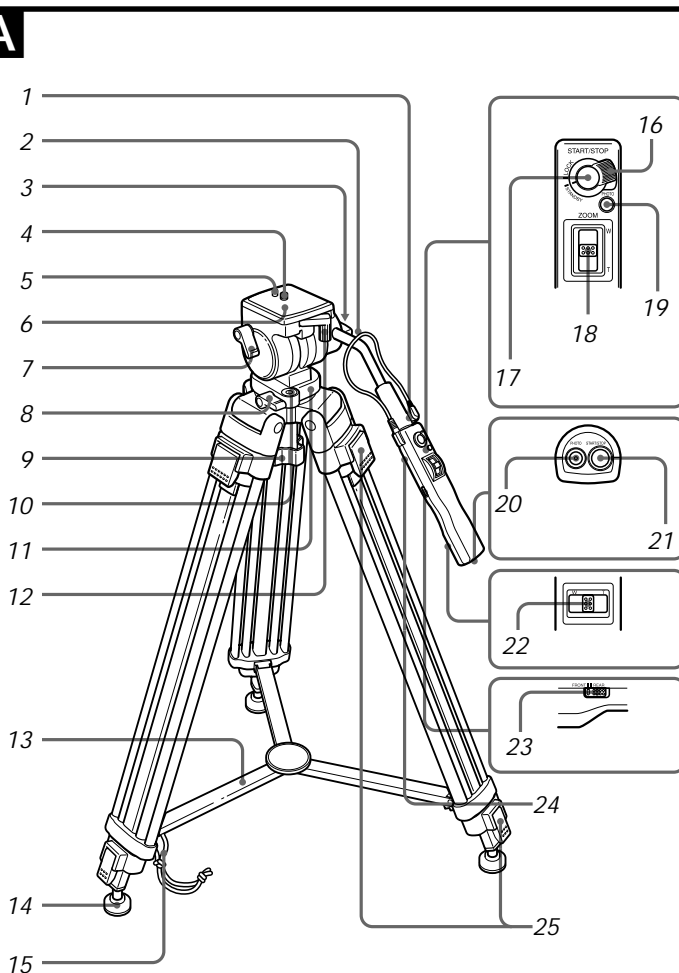


# Remote Control Tripod

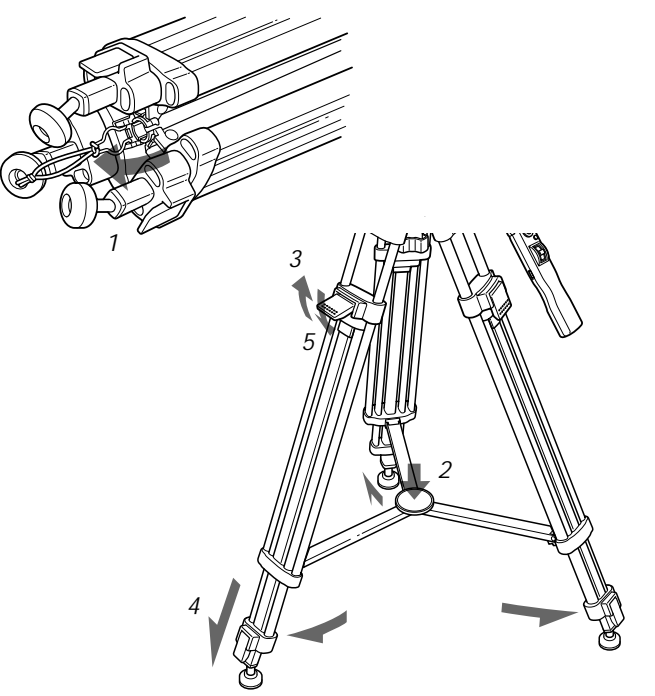
Operating Instructions  
 Mode d'emploi  
 Manual de instrucciones  
 XXXXXX

**VCT-1170RM**

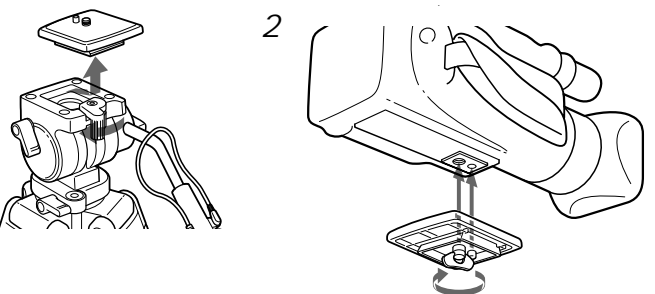
©2000 Sony Corporation Printed in Japan



**B**



**C**



**A**

- 1
- 2
- 3
- 4
- 5
- 6
- 7
- 8
- 9
- 10
- 11
- 12
- 13
- 14
- 15
- 16
- 17
- 18
- 19
- 20
- 21
- 22
- 23
- 24
- 25

**WARNING**

This equipment has been tested and found to comply with the limits for a Class B digital device, pursuant to Part 15 of the FCC Rules. These limits are designed to provide reasonable protection against harmful interference in a residential installation. This equipment generates, uses, and can radiate radio frequency energy and, if not installed and used in accordance with the instructions, may cause harmful interference to radio communications. However, there is no guarantee that interference will not occur in a particular installation. If this equipment does cause harmful interference to radio or television reception, which can be determined by turning the equipment off and on, the user is encouraged to try to correct the interference by one or more of the following measures:

- Reorient or relocate the receiving antenna.
- Increase the separation between the equipment and receiver.
- Connect the equipment into an outlet on a circuit different from that to which the receiver is connected.
- Consult the dealer or an experienced radio/TV technician for help.

You are cautioned that any changes or modifications not expressly approved in this manual could void your authority to operate this equipment.

**Features**

The VCT-1170RM is a tripod for video camera recorders and features:

- A Remote Commander built in the pan/tilt handle which allows you to operate (zooming, recording or photo recording) the video camera recorder with a remote ➊ control jack. You can use the Remote Commander on the pan/tilt handle with an ordinary grip (down position) or a reverse grip (up position).
- A ball-level for quick and easy level adjustment.
- Smooth panning/tilting with the oil-cylinder pan/tilt handle.
- A built-in counterbalance mechanism to prevent the tripod from toppling over.

**Caution**

- After recording, slide the recording standby switch of the pan/tilt handle to LOCK. If you leave it on STANDBY, the battery will wear down.
- Make sure that you hold on to the video camera recorder when removing it. The camera mounting shoe automatically comes off the tripod when you unlock the camera mounting shoe lock lever, so the video camera may fall, if you are not holding it.
- After using the tripod, remove the video camera recorder, close the legs and replace the pan handle to the original position. Never carry the tripod with the video camera recorder attached.

**Cleaning**

Clean the tripod with a soft cloth lightly moistened with a mild detergent solution. After using the tripod at a location subject to sea breezes, be sure to wipe it clean with a dry cloth.

**Identifying the Parts**

- A**
- 1 Remote plug holder  
Insert the remote plug when not in use.
  - 2 Remote control cord
  - 3 Pan/tilt handle lock screw
  - 4 Camera mounting screw
  - 5 Pin
  - 6 Camera mounting shoe
  - 7 Tilt lock knob
  - 8 Pan lock knob
  - 9 Ball-level lock knob
  - 10 Level
  - 11 Tripod head
  - 12 Camera mounting shoe lock lever
  - 13 Stay
  - 14 Ferrule (with a spike)
  - 15 Leg holder
  - 16 Recording standby switch
  - 17 START/STOP button (front)
  - 18 ZOOM lever (front)
  - 19 PHOTO mode button (front)
  - 20 PHOTO mode button (bottom)
  - 21 START/STOP button (bottom)
  - 22 ZOOM lever (rear)
  - 23 FRONT/REAR switch
  - 24 Pan/tilt handle
  - 25 Leg length adjustment lock lever

**Using the Tripod**

- B** Setting the Tripod
- 1 Remove the leg holder.
  - 2 Spread the legs until the tripod becomes stable.
  - 3 Unlock the leg length adjustment lock levers.
  - 4 Adjust the length of the legs.
  - 5 Lock the leg length adjustment lock levers.

**C** Mounting the Video Camera Recorder

- Install the battery pack and insert a cassette in the video camera recorder before mounting it on the tripod.
- 1 Turn the camera mounting shoe lock lever to the left to remove the camera mounting shoe.
  - 2 Align the pin and the camera mounting screw with the holes on the bottom of the video camera recorder, and tighten the screw firmly.
  - 3 Insert the camera mounting shoe with the video camera recorder attached into the tripod head until clicks. Then, turn the camera mounting shoe lock lever to the right to make sure that it is locked.
  - 4 To make the camera level:
    - ① Unlock the ball-level lock knob.
    - ② Adjust the angle of the tripod head so that the bubble in the level moves inside the red ring.
    - ③ Lock the ball-level lock knob.

**Caractéristiques**

Le VCT-1170RM est un trépied pour caméscopes intégrant les fonctions suivantes :

- Une télécommande intégrée dans la poignée de panoramique/inclinaison qui vous permet de commander le caméscope (zoom, enregistrement ou enregistrement photo) via une prise de commande à distance ➊.
- Vous pouvez utiliser une télécommande sur la poignée de panoramique/inclinaison avec une poignée inversée (position haute).
- Un niveau à bulle pour une mise à niveau simple et rapide.
- Des mouvements de panoramique/inclinaison tout en douceur grâce à une poignée de panoramique/inclinaison à cylindre hydraulique.
- Le mécanisme de contrepoids intégré empêche le trépied de basculer.

**Attention**

- Après la prise de vue, ramenez le commutateur de veille d'enregistrement de la poignée de panoramique/inclinaison sur la position LOCK. Si vous le laissez sur STANDBY, la pile va s'épuiser inutilement.
- Veillez à maintenir le caméscope lorsque vous l'enlevez du trépied. Le sabot de montage du caméscope s'enlève automatiquement du trépied lorsque vous déverrouillez le levier de blocage du sabot de montage et le caméscope risque donc de tomber si vous ne le maintenez pas.
- Après avoir utilisé le trépied, retirez le caméscope, repliez les pieds et repositionnez la poignée de panoramique dans sa position originale. Ne transportez jamais le trépied alors que le caméscope se trouve toujours fixé dessus.

**Nettoyage**

Nettoyez le trépied avec un chiffon doux légèrement imbibé d'une solution de détergent non agressif. Après avoir utilisé le trépied dans un endroit exposé aux vents marins, frottez-le avec un chiffon sec.

**Identification des composants**

- A**
- 1 Support de fiche de télécommande  
Introduisez la fiche de télécommande lorsque vous ne l'utilisez pas.
  - 2 Cordon de télécommande
  - 3 Vis de blocage de poignée de panoramique/inclinaison
  - 4 Vis de montage du caméscope
  - 5 Ergot de positionnement
  - 6 Sabot de montage du caméscope
  - 7 Molette de verrouillage d'inclinaison
  - 8 Molette de verrouillage de panoramique
  - 9 Molette de verrouillage du niveau à bulle
  - 10 Niveau
  - 11 Tête du trépied
  - 12 Levier de verrouillage du sabot de montage du caméscope
  - 13 Support
  - 14 Ferrule (avec goujon)
  - 15 Support de pied
  - 16 Commutateur de veille d'enregistrement
  - 17 Bouton START/STOP (avant)
  - 18 Levier ZOOM (avant)
  - 19 Bouton de mode PHOTO (avant)
  - 20 Bouton de mode PHOTO (bas)
  - 21 Bouton START/STOP (bas)
  - 22 Levier ZOOM (arrière)
  - 23 Commutateur AVANT/ARRIERE
  - 24 Poignée de panoramique/inclinaison
  - 25 Levier de verrouillage de réglage de longueur de pied

**Utilisation du trépied**

- B** Réglage du trépied
- 1 Enlevez le support de pied.
  - 2 Déployez les pieds jusqu'à ce que le trépied soit stable.
  - 3 Déverrouillez les leviers de réglage de la longueur des pieds.
  - 4 Ajustez la longueur des pieds.
  - 5 Verrouillez les leviers de réglage de la longueur des pieds.

**C** Montage du caméscope

- Installez la batterie et insérez une cassette dans le caméscope avant de l'installer sur le trépied.
- 1 Tournez le levier de verrouillage du sabot de montage du caméscope vers la gauche pour déposer le sabot de montage du caméscope.
  - 2 Alignez la broche et la vis de montage de la caméra sur les orifices situés dans le fond du caméscope et serrez fermement la vis.
  - 3 Introduisez le sabot de montage du caméscope avec le caméscope dans la tête du trépied jusqu'à ce qu'il s'encliquette. Tournez ensuite le levier de verrouillage du sabot de montage du caméscope vers la droite pour le verrouiller.
  - 4 Pour mettre le caméscope de niveau:
    - ① Déverrouillez la molette de verrouillage du niveau à bulle.
    - ② Ajustez l'angle de la tête du trépied de façon à ce que la bulle du niveau se place au centre du cercle rouge.
    - ③ Verrouillez la molette de verrouillage du niveau à bulle.

**Funciones**

La unidad VCT-1170RM es un trípode para videocámaras e incluye lo siguiente:

- Mando a distancia en la palanca de panoramización/inclinaison que permite emplear la función de zoom, de grabación de la videocámara o de grabación fotográfica con una toma de mando a distancia ➊. Es posible utilizar el mando a distancia en la palanca de panoramización/inclinaison con un fijador inverso (posición hacia arriba).
- Nivelador de bola para realizar ajustes de nivel de forma rápida y sencilla.
- Panoramización/inclinaison uniforme mediante la palanca de panoramización/inclinaison con cilindro de aceite.
- Mecanismo de contrapeso incorporado para evitar que el trípode se tambalee.

**Precaución**

- Tras la grabación, deslice el interruptor de modo de espera de grabación de la palanca de panoramización/inclinaison a la posición LOCK. Si lo deja en STANDBY, la pila se agotará.
- Asegúrese de sujetar la videocámara al extraerla. El soporte de montaje de la cámara se desprende automáticamente del trípode al desbloquear la palanca de bloqueo de dicho soporte, por lo que la videocámara puede caerse si no la sujetas.
- Tras utilizar el trípode, retire la videocámara, cierre las patas del trípode y vuelva a colocar la palanca de panoramización/inclinaison en la posición original. No transporte nunca el trípode con la videocámara acoplada.

**Limpieza**

Utilice un paño ligeramente humedecido en una solución detergente suave. Después de utilizar el trípode en un lugar expuesto a la brisa marina, utilice un paño seco para su limpieza.

**Identificación de los componentes**

- A**
- 1 Portaenchufe del mando a distancia  
Inserte el enchufe del mando a distancia cuando no lo utilice.
  - 2 Cable del mando a distancia
  - 3 Tornillo de bloqueo de la palanca de panoramización/inclinaison
  - 4 Tornillo de montaje de la videocámara
  - 5 Patilla
  - 6 Soporte de montaje de la videocámara
  - 7 Rueda de bloqueo de inclinación
  - 8 Rueda de bloqueo de panoramización
  - 9 Rueda de bloqueo del nivelador de bola
  - 10 Nivel
  - 11 Cabeza del trípode
  - 12 Palanca de bloqueo del soporte de montaje de la videocámara
  - 13 Fijador
  - 14 Ferrula (con una punta)
  - 15 Fijador de patas
  - 16 Interruptor del modo de espera de grabación
  - 17 Botón START/STOP (frontal)
  - 18 Palanca ZOOM (frontal)
  - 19 Botón de modo PHOTO (frontal)
  - 20 Botón de modo PHOTO (parte inferior)
  - 21 Botón START/STOP (parte inferior)
  - 22 Palanca ZOOM (parte trasera)
  - 23 Interruptor FRONT/REAR
  - 24 Palanca de panoramización/inclinaison
  - 25 Palanca de bloqueo del ajuste de la longitud de las patas

**Utilización del trípode**

- B** Ajuste
- 1 Retire el fijador de patas.
  - 2 Despliegue las patas hasta que el trípode se establezca.
  - 3 Abra las palancas de fijación de longitud de las patas.
  - 4 Ajuste la longitud de las patas.
  - 5 Cierre las palancas de fijación de longitud de las patas.

**C** Montaje de la videocámara

- Instale la batería e inserte un casete en la videocámara antes de montarla en el trípode.
- 1 Gire la palanca de bloqueo del soporte de montaje de la videocámara hacia la izquierda para extraer dicho soporte.
  - 2 Alinee el pivote y el tornillo de montaje de la cámara con los orificios de la parte inferior de la videocámara y fije firmemente el tornillo.
  - 3 Inserte el soporte de montaje con la videocámara acoplada en la cabeza del trípode hasta que oiga un chasquido. A continuación, gire la palanca de bloqueo del soporte de montaje de la videocámara hacia la derecha para asegurarse de que queda bloqueado.
  - 4 Para nivelar la videocámara:
    - ① Desbloquee la rueda de bloqueo del nivelador de bola.
    - ② Ajuste el ángulo de la cabeza del trípode de modo que la burbuja del nivelador quede a la derecha dentro del anillo rojo.
    - ③ Bloquee la rueda de bloqueo del nivelador de bola.

**WARNING**

This equipment has been tested and found to comply with the limits for a Class B digital device, pursuant to Part 15 of the FCC Rules. These limits are designed to provide reasonable protection against harmful interference in a residential installation. This equipment generates, uses, and can radiate radio frequency energy and, if not installed and used in accordance with the instructions, may cause harmful interference to radio communications. However, there is no guarantee that interference will not occur in a particular installation. If this equipment does cause harmful interference to radio or television reception, which can be determined by turning the equipment off and on, the user is encouraged to try to correct the interference by one or more of the following measures:

- Reorient or relocate the receiving antenna.
- Increase the separation between the equipment and receiver.
- Connect the equipment into an outlet on a circuit different from that to which the receiver is connected.
- Consult the dealer or an experienced radio/TV technician for help.

You are cautioned that any changes or modifications not expressly approved in this manual could void your authority to operate this equipment.

**Features**

The VCT-1170RM is a tripod for video camera recorders and features:

- A Remote Commander built in the pan/tilt handle which allows you to operate (zooming, recording or photo recording) the video camera recorder with a remote ➋ control jack. You can use the Remote Commander on the pan/tilt handle with an ordinary grip (down position) or a reverse grip (up position).
- A ball-level for quick and easy level adjustment.
- Smooth panning/tilting with the oil-cylinder pan/tilt handle.
- A built-in counterbalance mechanism to prevent the tripod from toppling over.

**Caution**

- After recording, slide the recording standby switch of the pan/tilt handle to LOCK. If you leave it on STANDBY, the battery will wear down.
- Make sure that you hold on to the video camera recorder when removing it. The camera mounting shoe automatically comes off the tripod when you unlock the camera mounting shoe lock lever, so the video camera may fall, if you are not holding it.
- After using the tripod, remove the video camera recorder, close the legs and replace the pan handle to the original position. Never carry the tripod with the video camera recorder attached.

**Cleaning**

Clean the tripod with a soft cloth lightly moistened with a mild detergent solution. After using the tripod at a location subject to sea breezes, be sure to wipe it clean with a dry cloth.

**Identifying the Parts**

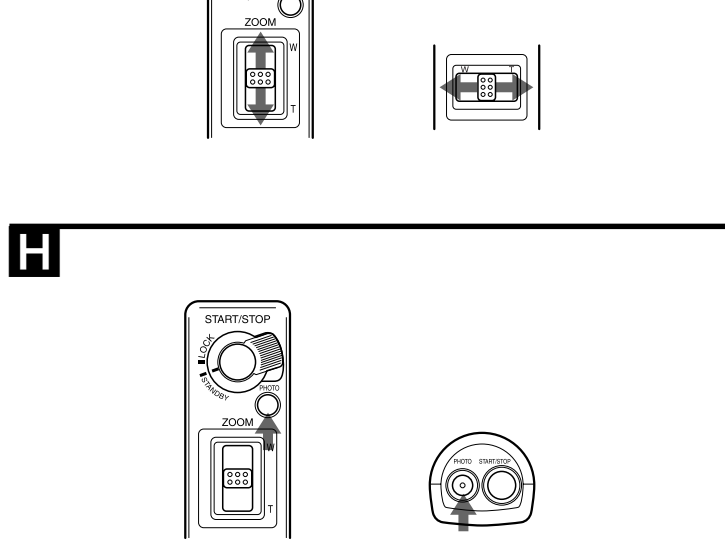
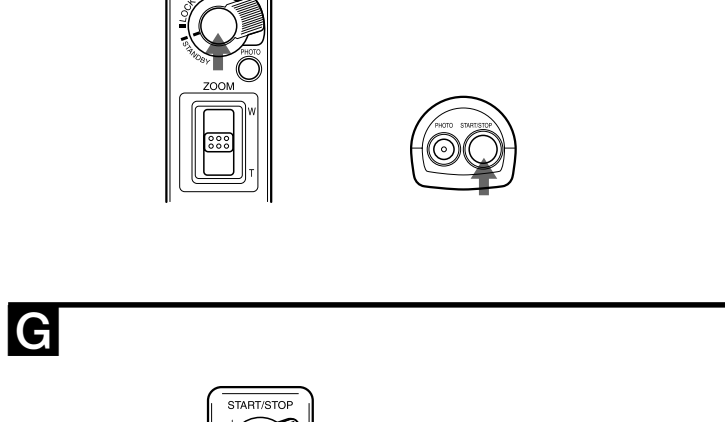
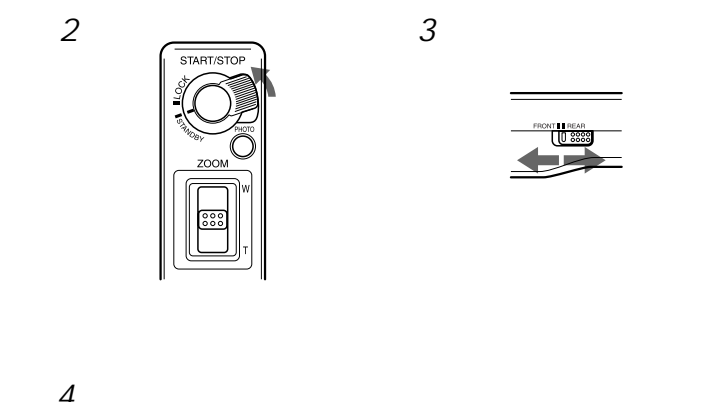
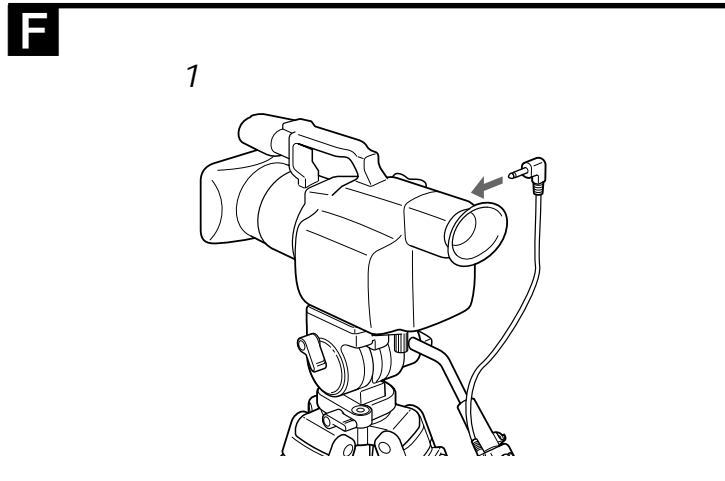
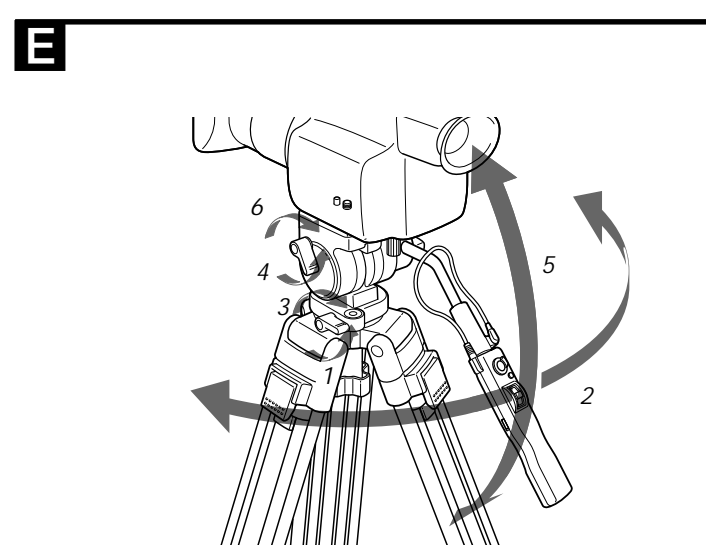
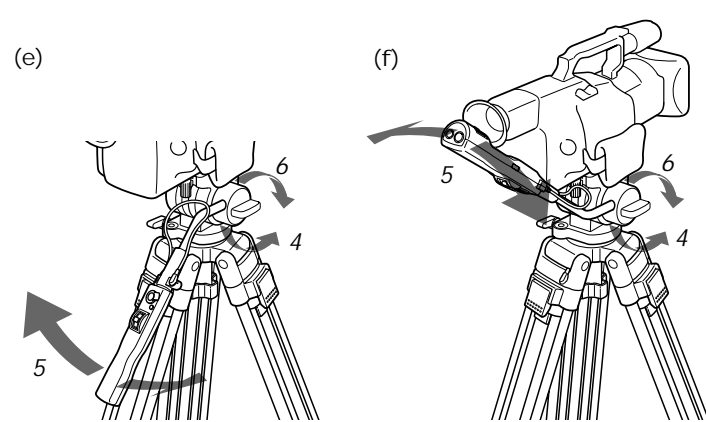
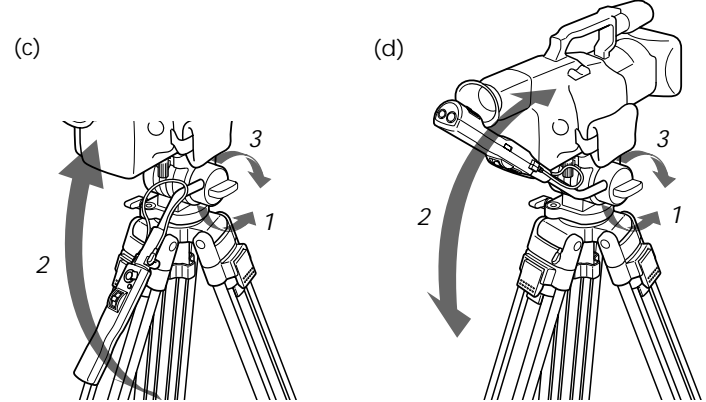
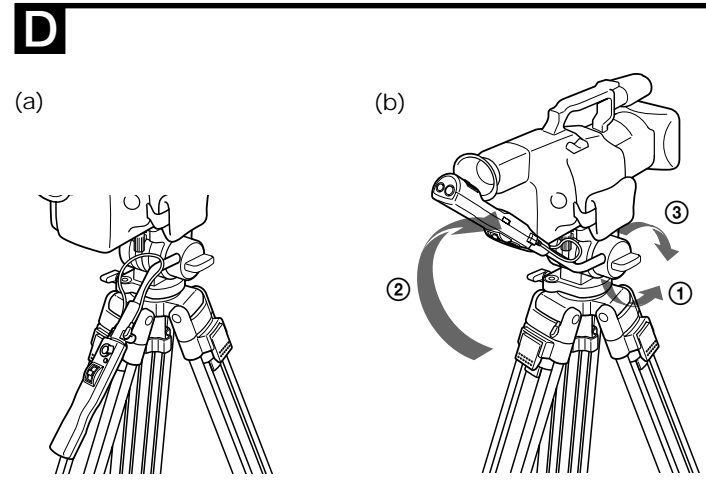
- A**
- 1 Remote plug holder  
Insert the remote plug when not in use.
  - 2 Remote control cord
  - 3 Pan/tilt handle lock screw
  - 4 Camera mounting screw
  - 5 Pin
  - 6 Camera mounting shoe
  - 7 Tilt lock knob
  - 8 Pan lock knob
  - 9 Ball-level lock knob
  - 10 Level
  - 11 Tripod head
  - 12 Camera mounting shoe lock lever
  - 13 Stay
  - 14 Ferrule (with a spike)
  - 15 Leg holder
  - 16 Recording standby switch
  - 17 START/STOP button (front)
  - 18 ZOOM lever (front)
  - 19 PHOTO mode button (front)
  - 20 PHOTO mode button (bottom)
  - 21 START/STOP button (bottom)
  - 22 ZOOM lever (rear)
  - 23 FRONT/REAR switch
  - 24 Pan/tilt handle
  - 25 Leg length adjustment lock lever

**Using the Tripod**

- B** Setting the Tripod
- 1 Remove the leg holder.
  - 2 Spread the legs until the tripod becomes stable.
  - 3 Unlock the leg length adjustment lock levers.
  - 4 Adjust the length of the legs.
  - 5 Lock the leg length adjustment lock levers.

**C** Mounting the Video Camera Recorder

- Install the battery pack and insert a cassette in the video camera recorder before mounting it on the tripod.
- 1 Turn the camera mounting shoe lock lever to the left to remove the camera mounting shoe.
  - 2 Align the pin and the camera mounting screw with the holes on the bottom of the video camera recorder, and tighten the screw firmly.
  - 3 Insert the camera mounting shoe with the video camera recorder attached into the tripod head until clicks. Then, turn the camera mounting shoe lock lever to the right to make sure that it is locked.
  - 4 To make the camera level:
    - ① Unlock the ball-level lock knob.
    - ② Adjust the angle of the tripod head so that the bubble in the level moves inside the red ring.
    - ③ Lock the ball-level lock knob.



## F Panning and Tilting

**D** Adjusting the position of the pan/tilt handle  
First determine the position in which you want to use the pan/tilt handle with an ordinary grip (down position) or a reverse grip (up position).

To use the pan/tilt handle with a reverse grip (up position)

- Using it with an ordinary grip (down position)
- Using it with a reverse grip (up position)

- Loosen the pan/tilt handle lock screw.
- Turn the pan/tilt handle to a reverse grip (up) position.
- Tighten the pan/tilt handle lock screw.

To adjust the vertical position:

- Using it with an ordinary grip (down position)
- Adjust the angle of the pan/tilt handle.
- Tighten the pan/tilt handle lock knob.

- Loosen the pan/tilt handle lock knob.
- Adjust the angle of the pan/tilt handle.
- Tighten the pan/tilt handle lock knob.

## E Panning/Tilting

### Panning

- Loosen the pan lock knob.
- Adjust the position of the video camera recorder by moving the pan/tilt handle.
- Tighten the pan lock knob.

### Tilting

- Loosen the tilt lock knob.
- Adjust the position of the video camera recorder by moving the pan/tilt handle.
- Tighten the tilt lock knob.

### Note

Do not adjust torque weight using the pan lock knob or the tilt lock knob. Doing so may cause a malfunction.  
Do panning or tilting after loosening each lock knob properly.

## Using the Remote Commander

Refer to the operation manual of the video camera recorder for further information.  
Connect the remote plug securely to the remote C control jack of the video camera recorder.

If the remote plug is not connected securely, you may not be able to operate the video camera recorder.  
Set the power switch of the video camera recorder to "CAMERA" and then to recording standby mode.

### Recording

- Connect the remote plug to the remote C control jack on the video camera recorder.
- Slide the recording standby switch on the pan handle (front) to **STANDBY**. Slide the recording standby switch firmly until it clicks.
- Select the Remote Commander on the pan/tilt handle by sliding the **FRONT**/**REAR** switch.  
**FRONT:** When you use the Remote Commander on the top surface of the handle (using it with an ordinary grip (down position)).  
**REAR:** When you use the Remote Commander on the bottom and the back side of the handle (using it with a reverse grip (up position)).

To stop recording, press **START/STOP** button to start recording.  
To stop recording, press **START/STOP**.  
To resume recording, press it again.

### Zooming

Slide the **ZOOM** lever towards the T side for telephoto (subject appears closer), and the W side for wide-angle (subject appears farther away). Depending on the type of your video camera recorder; if you slide the **ZOOM** lever still more, the zooming will be faster.

To Finish Recording  
Slide the recording standby switch to **LOCK**. The power of the video camera recorder is turned off.

### Recording with the photo mode function

- Press **PHOTO** lightly to check the still picture. ("PHOTO CAPTURE" appears on the screen).
- Press **PHOTO** deeper to take the picture ("PHOTO REC" flashes on the screen while recording).

### Notes

- Photo recording is not available with some video camera recorders.
- You cannot check still pictures with some video camera recorders.
- If you leave the video camera recorder in Standby mode for 5 minutes, the video camera recorder turns off automatically. To resume Standby mode, set the recording standby switch to **LOCK** once and then to **STANDBY**.

When you are not using the Remote Commander  
Insert the remote plug into the remote plug holder securely to prevent the remote plug from being broken.

## Specifications

Maximum load 5 kg (11 lb)  
Panning angle 360 degrees  
Tilting angle 90 degrees down, 70 degrees up  
Stages of legs 3 stages  
Remote control Function: Recording start/stop, standby/lock, Zooming, Photo mode on/off  
Cord length: Approx. 420 mm (16 3/8 inches)  
Pan handle length: Approx. 380 mm (15 inches)  
Dimensions  
Maximum height: Approx. 1 505 mm (59 3/8 inches) (Legs spread at 25 degrees)  
Minimum height: Approx. 700 mm (27 3/8 inches) (Legs spread), Approx. 735 mm (29 inches) (Legs closed)

Mass Approx. 3.3 kg (7 lb 4 oz)  
Supplied accessories Carrying case (1)  
Operating instructions (3)

Design and specifications are subject to change without notice.

This mark indicates that this product is a genuine accessory for Sony video products.

When purchasing Sony video products, Sony recommends that you purchase accessories with this "GENUINE VIDEO ACCESSORIES" mark.

When purchasing Sony video products, Sony recommends that you purchase accessories with this "GENUINE VIDEO ACCESSORIES" mark.

When purchasing Sony video products, Sony recommends that you purchase accessories with this "GENUINE VIDEO ACCESSORIES" mark.

When purchasing Sony video products, Sony recommends that you purchase accessories with this "GENUINE VIDEO ACCESSORIES" mark.

When purchasing Sony video products, Sony recommends that you purchase accessories with this "GENUINE VIDEO ACCESSORIES" mark.

When purchasing Sony video products, Sony recommends that you purchase accessories with this "GENUINE VIDEO ACCESSORIES" mark.

When purchasing Sony video products, Sony recommends that you purchase accessories with this "GENUINE VIDEO ACCESSORIES" mark.

## Panoramique et inclinaison

**D** Réglage de la position de la poignée de panoramique/inclinaison  
Déterminez dans un premier temps la position dans laquelle vous souhaitez utiliser la poignée de panoramique/inclinaison avec une poignée ordinaire (position basse) ou une poignée inversée (position haute).

Pour utiliser la poignée de panoramique/inclinaison avec une poignée inversée (position haute)

- Utilisation avec une poignée normale (position basse)
- Utilisation avec une poignée inversée (position haute)

- Loose the pan/tilt handle lock screw.
- Turn the pan/tilt handle to a reverse grip (up) position.
- Tighten the pan/tilt handle lock screw.

To adjust the vertical position:

- Using it with an ordinary grip (down position)
- Adjust the angle of the pan/tilt handle.
- Tighten the pan/tilt handle lock knob.

- Loosen the pan/tilt handle lock knob.
- Adjust the angle of the pan/tilt handle.
- Tighten the pan/tilt handle lock knob.

To adjust the horizontal position:

- Using it with an ordinary grip (down position)
- Adjust the angle of the pan/tilt handle.
- Tighten the pan/tilt handle lock knob.

- Loosen the pan/tilt handle lock knob.
- Adjust the angle of the pan/tilt handle.
- Tighten the pan/tilt handle lock knob.

Do not adjust torque weight using the pan lock knob or the tilt lock knob. Doing so may cause a malfunction.  
Do panning or tilting after loosening each lock knob properly.

## Enregistrement

- Raccordez la fiche de télécommande à la prise de commande à distance C du caméscope.
- Faites glisser le commutateur de pause d'enregistrement de la poignée de panoramique (avant) sur **STANDBY**. Faites glisser le commutateur de pause d'enregistrement fermement jusqu'à ce qu'il s'encliquette.
- Sélectionnez la télécommande sur la poignée de panoramique/inclinaison en faisant glisser le commutateur **AVANT**/**ARRIERE**.  
**AVANT:** Lorsque vous utilisez la télécommande sur la surface supérieure de la poignée (Utilisation avec une poignée normale (position basse)).  
**ARRIERE:** Lorsque vous utilisez la télécommande sur le bas et le côté arrière de la poignée (Utilisation avec une poignée inversée (position haute)).

Pour arrêter l'enregistrement, appuyez sur la touche **START/STOP**.  
Pour reprendre l'enregistrement, appuyez sur ce même bouton pour reprendre l'enregistrement.

Pour terminer l'enregistrement, faites glisser le commutateur de pause d'enregistrement sur **LOCK**. Le caméscope est mis hors tension.

### Remarque

Le mode d'enregistrement photo n'est pas disponible sur certains caméscopes.  
Sur certains caméscopes, vous ne pouvez pas vérifier des images fixes.  
Si vous laissez le caméscope en mode de veille pendant 5 minutes, le caméscope se met automatiquement hors tension. Pour restaurer le mode de veille, réglez le commutateur de veille d'enregistrement sur la position **LOCK** et ramenez-le ensuite sur **STANDBY**.

Si la fiche de télécommande n'est pas correctement positionnée, vous risquez de ne pas pouvoir utiliser le caméscope. Mettez l'interrupteur du caméscope en position "CAMERA" puis en mode de pause d'enregistrement.

Si la fiche de télécommande n'est pas correctement positionnée, vous risquez de ne pas pouvoir utiliser le caméscope. Mettez l'interrupteur du caméscope en position "CAMERA" puis en mode de pause d'enregistrement.

Si la fiche de télécommande n'est pas correctement positionnée, vous risquez de ne pas pouvoir utiliser le caméscope. Mettez l'interrupteur du caméscope en position "CAMERA" puis en mode de pause d'enregistrement.

Si la fiche de télécommande n'est pas correctement positionnée, vous risquez de ne pas pouvoir utiliser le caméscope. Mettez l'interrupteur du caméscope en position "CAMERA" puis en mode de pause d'enregistrement.

Si la fiche de télécommande n'est pas correctement positionnée, vous risquez de ne pas pouvoir utiliser le caméscope. Mettez l'interrupteur du caméscope en position "CAMERA" puis en mode de pause d'enregistrement.

Si la fiche de télécommande n'est pas correctement positionnée, vous risquez de ne pas pouvoir utiliser le caméscope. Mettez l'interrupteur du caméscope en position "CAMERA" puis en mode de pause d'enregistrement.

Si la fiche de télécommande n'est pas correctement positionnée, vous risquez de ne pas pouvoir utiliser le caméscope. Mettez l'interrupteur du caméscope en position "CAMERA" puis en mode de pause d'enregistrement.

Si la fiche de télécommande n'est pas correctement positionnée, vous risquez de ne pas pouvoir utiliser le caméscope. Mettez l'interrupteur du caméscope en position "CAMERA" puis en mode de pause d'enregistrement.

Si la fiche de télécommande n'est pas correctement positionnée, vous risquez de ne pas pouvoir utiliser le caméscope. Mettez l'interrupteur du caméscope en position "CAMERA" puis en mode de pause d'enregistrement.

Si la fiche de télécommande n'est pas correctement positionnée, vous risquez de ne pas pouvoir utiliser le caméscope. Mettez l'interrupteur du caméscope en position "CAMERA" puis en mode de pause d'enregistrement.

Si la fiche de télécommande n'est pas correctement positionnée, vous risquez de ne pas pouvoir utiliser le caméscope. Mettez l'interrupteur du caméscope en position "CAMERA" puis en mode de pause d'enregistrement.

Si la fiche de télécommande n'est pas correctement positionnée, vous risquez de ne pas pouvoir utiliser le caméscope. Mettez l'interrupteur du caméscope en position "CAMERA" puis en mode de pause d'enregistrement.

Si la fiche de télécommande n'est pas correctement positionnée, vous risquez de ne pas pouvoir utiliser le caméscope. Mettez l'interrupteur du caméscope en position "CAMERA" puis en mode de pause d'enregistrement.

Si la fiche de télécommande n'est pas correctement positionnée, vous risquez de ne pas pouvoir utiliser le caméscope. Mettez l'interrupteur du caméscope en position "CAMERA" puis en mode de pause d'enregistrement.

Si la fiche de télécommande n'est pas correctement positionnée, vous risquez de ne pas pouvoir utiliser le caméscope. Mettez l'interrupteur du caméscope en position "CAMERA" puis en mode de pause d'enregistrement.

## Utilisation de la télécommande

Referrez-vous au mode d'emploi du caméscope pour plus d'informations.  
Raccordez la fiche de télécommande à la prise de commande C du caméscope.

Si la fiche de télécommande n'est pas correctement positionnée, vous risquez de ne pas pouvoir utiliser le caméscope. Mettez l'interrupteur du caméscope en position "CAMERA" puis en mode de pause d'enregistrement.

Si la fiche de télécommande n'est pas correctement positionnée, vous risquez de ne pas pouvoir utiliser le caméscope. Mettez l'interrupteur du caméscope en position "CAMERA" puis en mode de pause d'enregistrement.

Si la fiche de télécommande n'est pas correctement positionnée, vous risquez de ne pas pouvoir utiliser le caméscope. Mettez l'interrupteur du caméscope en position "CAMERA" puis en mode de pause d'enregistrement.

Si la fiche de télécommande n'est pas correctement positionnée, vous risquez de ne pas pouvoir utiliser le caméscope. Mettez l'interrupteur du caméscope en position "CAMERA" puis en mode de pause d'enregistrement.

Si la fiche de télécommande n'est pas correctement positionnée, vous risquez de ne pas pouvoir utiliser le caméscope. Mettez l'interrupteur du caméscope en position "CAMERA" puis en mode de pause d'enregistrement.

Si la fiche de télécommande n'est pas correctement positionnée, vous risquez de ne pas pouvoir utiliser le caméscope. Mettez l'interrupteur du caméscope en position "CAMERA" puis en mode de pause d'enregistrement.

Si la fiche de télécommande n'est pas correctement positionnée, vous risquez de ne pas pouvoir utiliser le caméscope. Mettez l'interrupteur du caméscope en position "CAMERA" puis en mode de pause d'enregistrement.

Si la fiche de télécommande n'est pas correctement positionnée, vous risquez de ne pas pouvoir utiliser le caméscope. Mettez l'interrupteur du caméscope en position "CAMERA" puis en mode de pause d'enregistrement.

Si la fiche de télécommande n'est pas correctement positionnée, vous risquez de ne pas pouvoir utiliser le caméscope. Mettez l'interrupteur du caméscope en position "CAMERA" puis en mode de pause d'enregistrement.

Si la fiche de télécommande n'est pas correctement positionnée, vous risquez de ne pas pouvoir utiliser le caméscope. Mettez l'interrupteur du caméscope en position "CAMERA" puis en mode de pause d'enregistrement.

Si la fiche de télécommande n'est pas correctement positionnée, vous risquez de ne pas pouvoir utiliser le caméscope. Mettez l'interrupteur du caméscope en position "CAMERA" puis en mode de pause d'enregistrement.

Si la fiche de télécommande n'est pas correctement positionnée, vous risquez de ne pas pouvoir utiliser le caméscope. Mettez l'interrupteur du caméscope en position "CAMERA" puis en mode de pause d'enregistrement.

Si la fiche de télécommande n'est pas correctement positionnée, vous risquez de ne pas pouvoir utiliser le caméscope. Mettez l'interrupteur du caméscope en position "CAMERA" puis en mode de pause d'enregistrement.

Si la fiche de télécommande n'est pas correctement positionnée, vous risquez de ne pas pouvoir utiliser le caméscope. Mettez l'interrupteur du caméscope en position "CAMERA" puis en mode de pause d'enregistrement.

Si la fiche de télécommande n'est pas correctement positionnée, vous risquez de ne pas pouvoir utiliser le caméscope. Mettez l'interrupteur du caméscope en position "CAMERA" puis en mode de pause d'enregistrement.

## Panorámica e inclinación

**D** Ajuste la posición de la palanca de panoramización/inclinaison  
En primer lugar, determine la posición en la que desea utilizar la palanca de panoramización/inclinaison con un fijador normal (posición hacia abajo) o un fijador inverso (posición hacia arriba).

Para utilizar la palanca de panoramización/inclinaison con un fijador inverso (posición hacia arriba)

- Utilización con un fijador normal (posición hacia abajo)
- Utilización con un fijador inverso (posición hacia arriba)

- Loosen the pan/tilt handle lock screw.
- Turn the pan/tilt handle to a reverse grip (up) position.
- Tighten the pan/tilt handle lock screw.

To adjust the vertical position:

- Using it with an ordinary grip (down position)
- Adjust the angle of the pan/tilt handle.
- Tighten the pan/tilt handle lock knob.

- Loosen the pan/tilt handle lock knob.
- Adjust the angle of the pan/tilt handle.
- Tighten the pan/tilt handle lock knob.

## E Grabación

- Conecte el enchufe del mando a distancia a la toma de mando a distancia C de la videocámara.
- Deslice el interruptor de modo de grabación en espera de la palanca de panoramización (frontal) hasta la posición **STANDBY**. Deslice el interruptor de modo de grabación firmemente hasta que chasque.
- Seleccione el mando a distancia situado en la palanca de panoramización/inclinaison deslizando el interruptor **FRONT**/**REAR**.  
**FRONT:** Cuando el mando a distancia se utiliza en la parte superior de la palanca (con un fijador normal (posición hacia abajo)).  
**REAR:** Cuando el mando a distancia se utiliza en la parte inferior y trasera de la palanca (con un fijador inverso (posición hacia arriba)).

Para detener la grabación, pulse el botón **START/STOP**.  
Para reanudar la grabación, vuelva a pulsarlo.

Para reanudar la grabación, vuelva a pulsarlo.

Para reanudar la grabación, vuelva a pulsarlo.

Para reanudar la grabación, vuelva a pulsarlo.

Para reanudar la grabación, vuelva a pulsarlo.

Para reanudar la grabación, vuelva a pulsarlo.

## Utilización del mando a distancia

Si desea obtener información detallada, consulte el manual de instrucciones de la videocámara.  
Conecte el enchufe del mando a distancia firmemente a la toma de mando a distancia C de la videocámara.

Si el enchufe del mando a distancia no está conectado firmemente, es posible que no funcione la videocámara. Sitúe el interruptor de alimentación de la videocámara en la posición "CAMERA" y, a continuación, en el modo de grabación en espera.

Si el enchufe del mando a distancia no está conectado firmemente, es posible que no funcione la videocámara. Sitúe el interruptor de alimentación de la videocámara en la posición "CAMERA" y, a continuación, en el modo de grabación en espera.

Si el enchufe del mando a distancia no está conectado firmemente, es posible que no funcione la videocámara. Sitúe el interruptor de alimentación de la videocámara en la posición "CAMERA" y, a continuación, en el modo de grabación en espera.

Si el enchufe del mando a distancia no está conectado firmemente, es posible que no funcione la videocámara. Sitúe el interruptor de alimentación de la videocámara en la posición "CAMERA" y, a continuación, en el modo de grabación en espera.

Si el enchufe del mando a distancia no está conectado firmemente, es posible que no funcione la videocámara. Sitúe el interruptor de alimentación de la videocámara en la posición "CAMERA" y, a continuación, en el modo de grabación en espera.

Si el enchufe del mando a distancia no está conectado firmemente, es posible que no funcione la videocámara. Sitúe el interruptor de alimentación de la videocámara en la posición "CAMERA" y, a continuación, en el modo de grabación en espera.

Si el enchufe del mando a distancia no está conectado firmemente, es posible que no funcione la videocámara. Sitúe el interruptor de alimentación de la videocámara en la posición "CAMERA" y, a continuación, en el modo de grabación en espera.

Si el enchufe del mando a distancia no está conectado firmemente, es posible que no funcione la videocámara. Sitúe el interruptor de alimentación de la videocámara en la posición "CAMERA" y, a continuación, en el modo de grabación en espera.

Si el enchufe del mando a distancia no está conectado firmemente, es posible que no funcione la videocámara. Sitúe el interruptor de alimentación de la videocámara en la posición "CAMERA" y, a continuación, en el modo de grabación en espera.

Si el enchufe del mando a distancia no está conectado firmemente, es posible que no funcione la videocámara. Sitúe el interruptor de alimentación de la videocámara en la posición "CAMERA" y, a continuación, en el modo de grabación en espera.

Si el enchufe del mando a distancia no está conectado firmemente, es posible que no funcione la videocámara. Sitúe el interruptor de alimentación de la videocámara en la posición "CAMERA" y, a continuación, en el modo de grabación en espera.

Si el enchufe del mando a distancia no está conectado firmemente, es posible que no funcione la videocámara. Sitúe el interruptor de alimentación de la videocámara en la posición "CAMERA" y, a continuación, en el modo de grabación en espera.

Si el enchufe del mando a distancia no está conectado firmemente, es posible que no funcione la videocámara. Sitúe el interruptor de alimentación de la videocámara en la posición "CAMERA" y, a continuación, en el modo de grabación en espera.

Si el enchufe del mando a distancia no está conectado firmemente, es posible que no funcione la videocámara. Sitúe el interruptor de alimentación de la videocámara en la posición "CAMERA" y, a continuación, en el modo de grabación en espera.

Si el enchufe del mando a distancia no está conectado firmemente, es posible que no funcione la videocámara. Sitúe el interruptor de alimentación de la videocámara en la posición "CAMERA" y, a continuación, en el modo de grabación en espera.

## Grabación con la cámara

**H** Grabación con la cámara  
1 Pulse **PHOTO** ligeramente para comprobar la imagen fija ("PHOTO CAPTURE" aparecerá en pantalla).

2 Pulse **PHOTO** firmemente para filmar la imagen ("PHOTO REC" parpadea en pantalla durante la grabación).

La grabación fotográfica no está disponible con determinadas videocámaras.  
No es posible reproducir imágenes fijas con algunas videocámaras.  
Si deja la videocámara en modo de espera durante 5 minutos, ésta se apagará automáticamente. Para reanudar dicho modo, ajuste el interruptor de modo de espera de grabación en **LOCK** una vez y, a continuación, en **STANDBY**.

Si el enchufe del mando a distancia no está conectado firmemente, es posible que no funcione la videocámara. Sitúe el interruptor de alimentación de la videocámara en la posición "CAMERA" y, a continuación, en el modo de grabación en espera.

Si el enchufe del mando a distancia no está conectado firmemente, es posible que no funcione la videocámara. Sitúe el interruptor de alimentación de la videocámara en la posición "CAMERA" y, a continuación, en el modo de grabación en espera.

Si el enchufe del mando a distancia no está conectado firmemente, es posible que no funcione la videocámara. Sitúe el interruptor de alimentación de la videocámara en la posición "CAMERA" y, a continuación, en el modo de grabación en espera.

Si el enchufe del mando a distancia no está conectado firmemente, es posible que no funcione la videocámara. Sitúe el interruptor de alimentación de la videocámara en la posición "CAMERA" y, a continuación, en el modo de grabación en espera.

Si el enchufe del mando a distancia no está conectado firmemente, es posible que no funcione la videocámara. Sitúe el interruptor de alimentación de la videocámara en la posición "CAMERA" y, a continuación, en el modo de grabación en espera.

Si el enchufe del mando a distancia no está conectado firmemente, es posible que no funcione la videocámara. Sitúe el interruptor de alimentación de la videocámara en la posición "CAMERA" y, a continuación, en el modo de grabación en espera.

Si el enchufe del mando a distancia no está conectado firmemente, es posible que no funcione la videocámara. Sitúe el interruptor de alimentación de la videocámara en la posición "CAMERA" y, a continuación, en el modo de grabación en espera.

Si el enchufe del mando a distancia no está conectado firmemente, es posible que no funcione la videocámara. Sitúe el interruptor de alimentación de la videocámara en la posición "CAMERA" y, a continuación, en el modo de grabación en espera.

Si el enchufe del mando a distancia no está conectado firmemente, es posible que no funcione la videocámara. Sitúe el interruptor de alimentación de la videocámara en la posición "CAMERA" y, a continuación, en el modo de grabación en espera.

Si el enchufe del mando a distancia no está conectado firmemente, es posible que no funcione la videocámara. Sitúe el interruptor de alimentación de la videocámara en la posición "CAMERA" y, a continuación, en el modo de grabación en espera.

Si el enchufe del mando a distancia no está conectado firmemente, es posible que no funcione la videocámara. Sitúe el interruptor de alimentación de la videocámara en la posición "CAMERA" y, a continuación, en el modo de grabación en espera.

Si el enchufe del mando a distancia no está conectado firmemente, es posible que no funcione la videocámara. Sitúe el interruptor de alimentación de la videocámara en la posición "CAMERA" y, a continuación, en el modo de grabación en espera.

Si el enchufe del mando a distancia no está conectado firmemente, es posible que no funcione la videocámara. Sitúe el interruptor de alimentación de la videocámara en la posición "CAMERA" y, a continuación, en el modo de grabación en espera.

Si el enchufe del mando a distancia no está conectado firmemente, es posible que no funcione la videocámara. Sitúe el interruptor de alimentación de la videocámara en la posición "CAMERA" y, a continuación, en el modo de grabación en espera.

## Panning and Tilting

**D** Adjusting the position of the pan/tilt handle  
First determine the position in which you want to use the pan/tilt handle with an ordinary grip (down position) or a reverse grip (up position).

To use the pan/tilt handle with a reverse grip (up position)

- Using it with an ordinary grip (down position)
- Using it with a reverse grip (up position)

- Loosen the pan/tilt handle lock screw.
- Turn the pan/tilt handle to a reverse grip (up) position.
- Tighten the pan/tilt handle lock screw.

## Free Manuals Download Website

<http://myh66.com>

<http://usermanuals.us>

<http://www.somanuals.com>

<http://www.4manuals.cc>

<http://www.manual-lib.com>

<http://www.404manual.com>

<http://www.luxmanual.com>

<http://aubethermostatmanual.com>

Golf course search by state

<http://golfingnear.com>

Email search by domain

<http://emailbydomain.com>

Auto manuals search

<http://auto.somanuals.com>

TV manuals search

<http://tv.somanuals.com>