

### INSTALLATION - RK183PK (BLACK)

The RK183PK preamp comes assembled for use with microphones using a miniature 4-pin connector. To wire a microphone cable directly to the preamp, follow these instructions:

1. Turn screw (A) counter-clockwise until it recedes below the case.
2. Remove the cap (C) by removing the set screw (B) with the provided hex wrench (.05 in.).

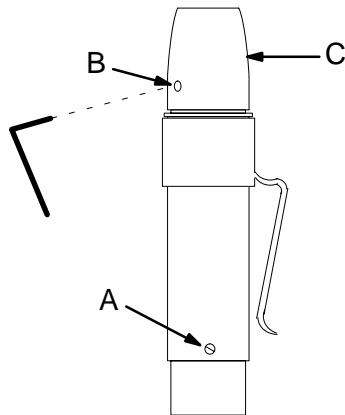


FIGURE 1

3. Push the circuit board out from the case interior to expose the screw terminal (D).
4. Remove the wires from the screw terminal (D) by loosening the set screws (E).

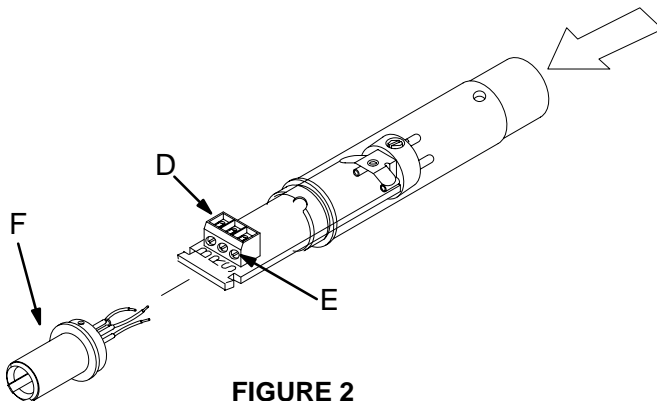


FIGURE 2

5. Insert the enclosed rubber flex relief (G) into the cap (C) and feed through the microphone cabling.

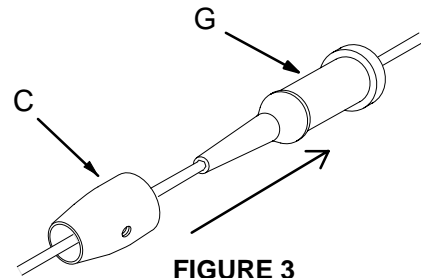


FIGURE 3

6. Insert the wires from the microphone cabling into the screw terminal (D) and tighten the wire set screws (E). Match wires as marked on the circuit board using the following key:

**B = Black (negative)**  
**R = Red (positive)**  
**S (ground) = Shield (Uncoated)/White**

7. Wrap the microphone cabling around the side notches in the circuit board (as shown below) to provide strain relief.

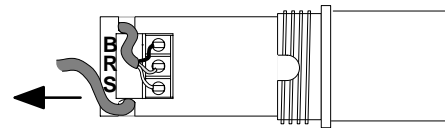


FIGURE 4

8. Push the circuit board back into the case, making sure that the set screw (A) is lined up with the screw hole in the side of the case (if the circuit board does not go in all the way, twist it slightly until the screw and hole are aligned). Raise the set screw (A) by turning clockwise so that the preamplifier is held securely in place. Screw on the cap (C). Do not use the set screw with the cap.

### INSTALLATION - RK183PKW (WHITE)

The RK183 PKW is to be used with the MX202W series microphone and has the strain relief (G) pre-installed. The cap (C) has no set screw (B), and the beltclip and the miniature connector are not included.

1. Turn screw (A) counter-clockwise until it recedes below the case.
2. Unscrew and remove the cap (C).
3. Push the circuit board from the bottom of the case to expose the screw terminals.
4. Feed the microphone cabling through the flex relief/cap assembly.
5. Perform steps 6,7, and 8 of the above installation directions for the RK183PK.

## Free Manuals Download Website

<http://myh66.com>

<http://usermanuals.us>

<http://www.somanuals.com>

<http://www.4manuals.cc>

<http://www.manual-lib.com>

<http://www.404manual.com>

<http://www.luxmanual.com>

<http://aubethermostatmanual.com>

Golf course search by state

<http://golfingnear.com>

Email search by domain

<http://emailbydomain.com>

Auto manuals search

<http://auto.somanuals.com>

TV manuals search

<http://tv.somanuals.com>