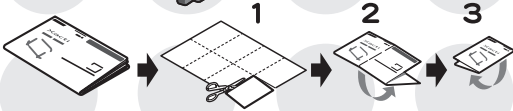


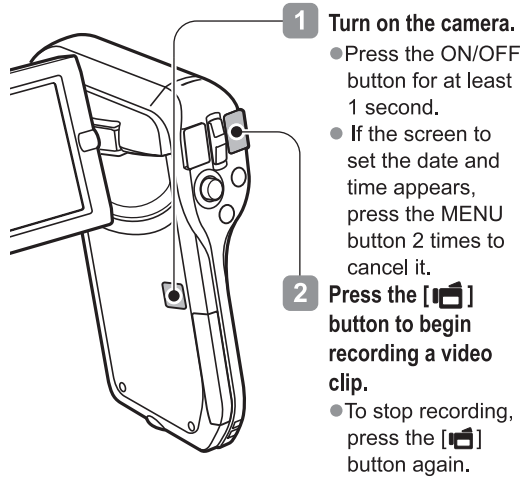
SANYO

Dual Camera
VPC-CG10EX
VPC-CG10
VPC-CG10GX

Xacti QUICK GUIDE



STEP 1 RECORD A VIDEO CLIP

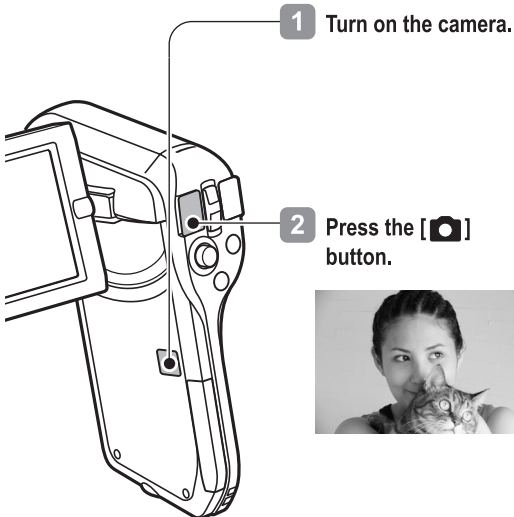


If the image is not captured...

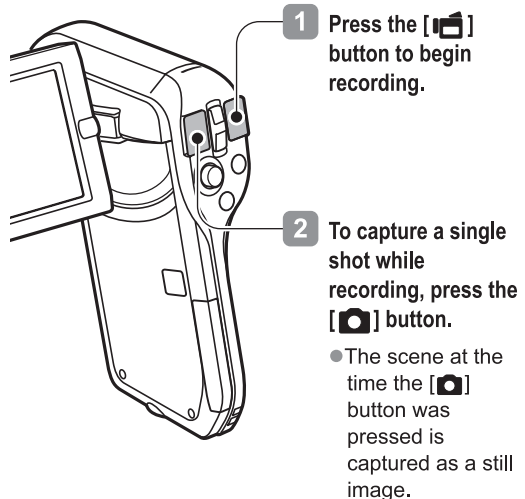
Is there enough power left in the battery? Recharge the battery pack.

(See "Charge the battery pack" on the reverse side.)

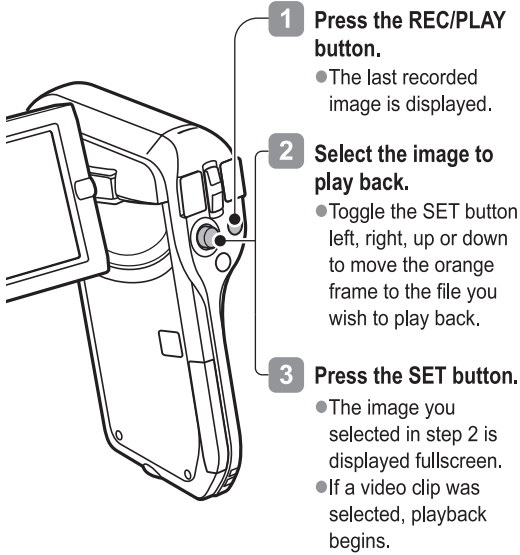
STEP 2 CAPTURE A STILL IMAGE



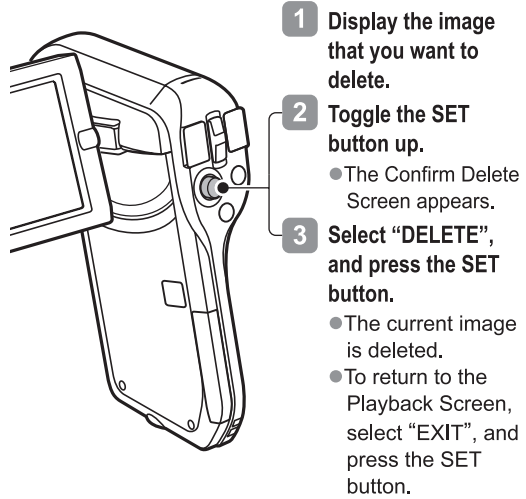
You can capture a still image while recording a video clip.



STEP 3 VIEWING IMAGES



STEP 4 DELETING IMAGES

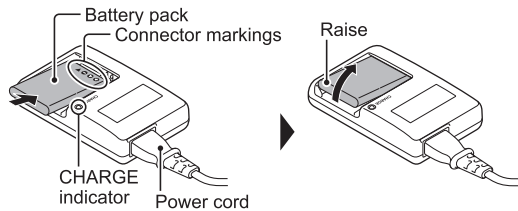


Did your photos turn out the way you hoped? Even if you make a mistake, it's easy to delete the pictures you aren't satisfied with. Unlike film cameras, with a dual camera you can take all the photos you want, keep the ones you like and delete the rest.

PREPARE THE BATTERY PACK

Charge the battery pack

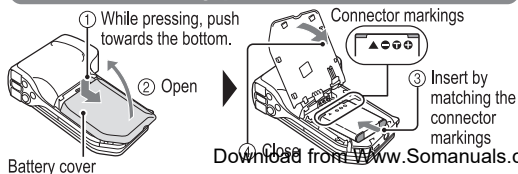
Use the supplied charger to charge the battery pack.



The CHARGE indicator shows the battery pack charge status.

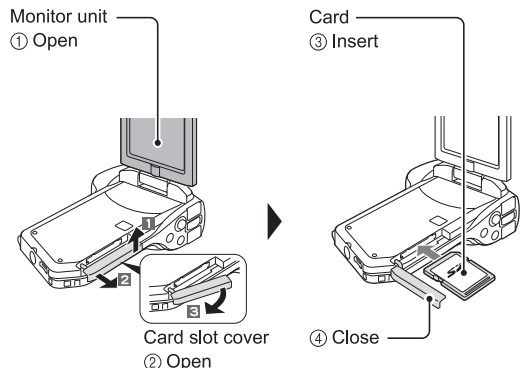
- Lights red during recharging.
- Turns off when battery pack is fully charged.
- The charging time is approx. 120 minutes.

Insert the battery pack



INSERT THE CARD

- An SD Memory Card is not included with your camera. Please purchase a commercially sold card.
- In this manual, the SD Memory Card is referred to as the "card".



Free Manuals Download Website

<http://myh66.com>

<http://usermanuals.us>

<http://www.somanuals.com>

<http://www.4manuals.cc>

<http://www.manual-lib.com>

<http://www.404manual.com>

<http://www.luxmanual.com>

<http://aubethermostatmanual.com>

Golf course search by state

<http://golfingnear.com>

Email search by domain

<http://emailbydomain.com>

Auto manuals search

<http://auto.somanuals.com>

TV manuals search

<http://tv.somanuals.com>