

A NEW GENERATION OF FARBERWARE
FARBERWARE[®]
FOR A NEW GENERATION OF COOKS

ACCENTS



USE & CARE INSTRUCTIONS COFFEE GRINDER

FAC500G

Download from www.Somanuals.com. All Manuals Search And Download.

IMPORTANT SAFEGUARDS

When using electrical appliances, basic safety precautions should always be followed including the following:

1. Read all instructions.
2. To protect against risk of electrical shock do not put cord, plugs, or appliance in water or other liquid.
3. Close supervision is necessary when any appliance is used by or near children.
4. Unplug from outlet when not in use, before putting on or taking off parts, and before cleaning.
5. Avoid contacting moving parts.
6. Do not operate any appliance with a damaged cord or plug or after the appliance malfunctions, or is dropped or damaged in any manner. Contact Consumer Service for examination, repair or electrical or mechanical adjustment.
7. The use of attachments not recommended or sold by the manufacturer may cause fire, electric shock or injury.
8. Do not use outdoors.
9. Do not let cord hang over edge of table or counter.
10. Do not let cord contact hot surface, including the stove.
11. Check Grinder Cup for presence of foreign objects before using.

SAVE THESE INSTRUCTIONS
THIS PRODUCT IS FOR HOUSEHOLD USE ONLY

ADDITIONAL IMPORTANT SAFEGUARDS

1. All users of this appliance must read and understand this Owner's Manual before operating or cleaning this appliance.
2. The cord to this appliance should be plugged into a 120V AC electrical outlet only.
3. Do not leave this appliance unattended during use.
4. If this appliance begins to malfunction during use, immediately turn the unit OFF and unplug the cord. Do not use or attempt to repair the malfunctioning appliance.
5. If this appliance falls or accidentally becomes immersed in water, unplug it immediately. Do not reach into the water! Do not use this appliance after it has fallen into or becomes immersed in water.
6. To reduce the risk of injury to persons or property, never use this appliance in an unstable position.
7. Do not use this appliance for other than its intended use.
8. Make sure that the Grinder Cup is properly inserted into the Main Body of the machine and the Grinder Cup Lid is in position on top of the Cup. The Grinder Recovery Cup should be securely assembled into position on the Base and the Recovery Cup Lid should be placed on top of the Recovery Cup before use.
9. Only coffee beans should be placed into the Grinder Cup.
10. **WARNING!** To avoid serious injury, never place fingers or objects through the Grinder Chute or through the Recovery Cup Window where ground coffee beans are emptied into the Recovery Cup.

POLARIZED PLUG

This appliance has a polarized plug (one blade is wider than the other). To reduce the risk of electric shock, this plug is intended to fit into a polarized outlet only one way. If the plug does not fit fully in the outlet, reverse the plug. If it still does not fit, contact a qualified electrician. Do not attempt to modify the plug in any way.

SHORT CORD INSTRUCTIONS

A short power-supply cord is provided to reduce the risk resulting from becoming entangled in or tripping over a longer cord. Do not use an extension cord with this product.

ELECTRIC POWER

If the electrical circuit is overloaded with other appliances, your appliance may not operate properly. It should be operated on a separate electrical circuit from other appliances.

GETTING TO KNOW YOUR **FARBERWARE**[®] COFFEE GRINDER

PRODUCT MAY VARY SLIGHTLY FROM ILLUSTRATIONS

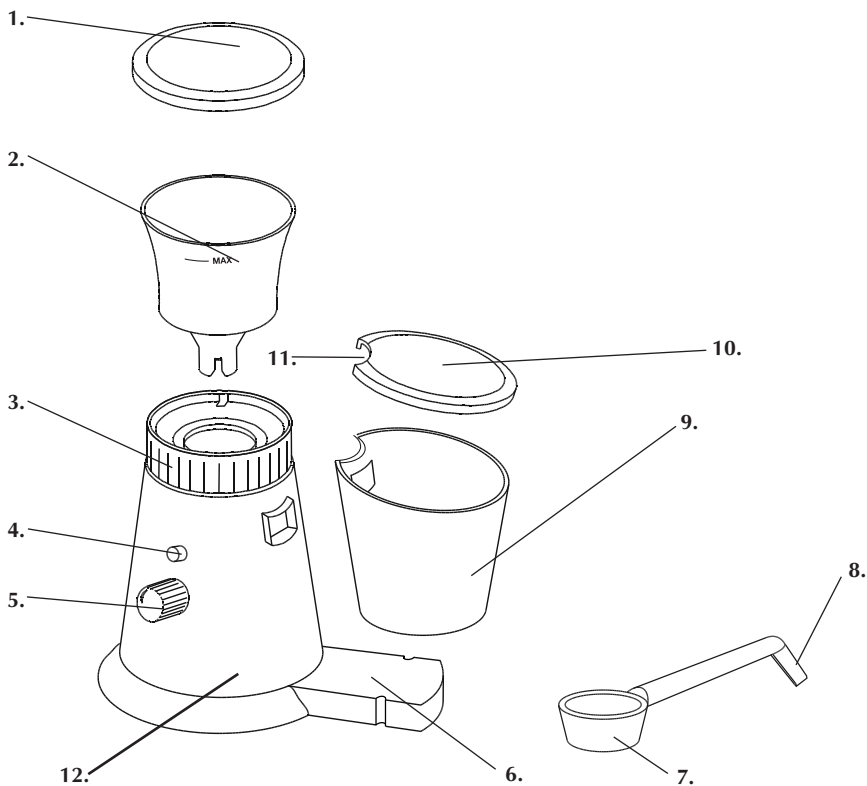


Figure 1

- | | |
|--------------------------------|-------------------------------------|
| 1. Grinder Cup Lid (P/N 71067) | 8. Cleaning Spatula |
| 2. Grinder Cup (P/N 71068) | 9. Grinder Recovery Cup (P/N 71070) |
| 3. Fineness Control Ring | 10. Recovery Cup Lid (P/N 71071) |
| 4. On/Off Button | 11. Cutout |
| 5. Cups Control Knob | 12. Main Body |
| 6. Base | |
| 7. Measuring Spoon (P/N 71069) | |

BEFORE USING FOR THE FIRST TIME

CAUTION: To protect against electric shock, do not submerge the Grinder or allow power cord to come into contact with water or other liquids.

1. Remove all packaging and packing materials from the Grinder. Remove any labels from the outer stainless steel surfaces.
2. Use a clean, dry cloth to wipe the Grinder Cup before first use. Rinse the Grinder Recovery Cup in water. Dry thoroughly before use.

HINTS FOR GRINDING COFFEE BEANS

GRINDING CHART

Fine Grind	espresso machines
Medium	filter coffee makers
Coarse	percolators, cafetieres, etc.

1. Approximately 3 /4 cup of coffee beans will yield ground coffee for 10 to12 cups of brewed coffee.
2. Store coffee beans in an airtight container inside the freezer for up to 2 months. Coffee beans can be ground while frozen.

NOTE: THIS UNIT SHOULD NOT BE USED FOR MORE THAN 3 MINUTES AT A TIME.

OPERATING INSTRUCTIONS

1. Place the Coffee Grinder onto a flat, level work surface.
2. Insert the Grinder Cup into the Main Body of the Grinder.
See Figure 2.
3. See Figure 3. Place the Grinder Recovery Cup onto the Base (1) and push towards the Main Body until the window of the Recovery Cup aligns with the Grinder Chute (2). You will hear a click as the Cup locks into position.

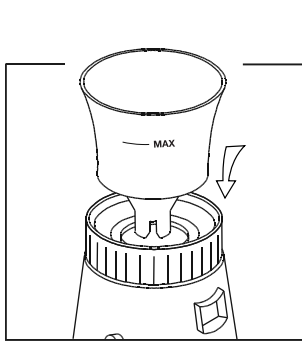


Figure 2

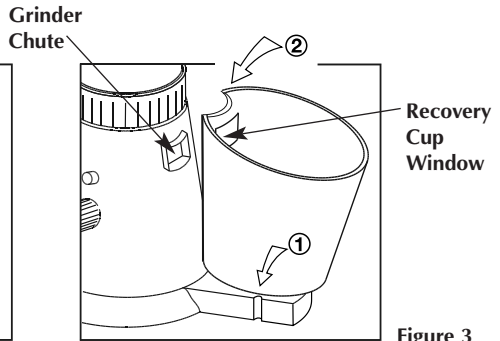


Figure 3

4. Place the Recovery Cup Lid onto the Cup so that the Lid cutout faces the Recovery Cup Window.
5. Place the required amount of whole coffee beans into the Grinder Cup. The amount will vary depending on the type of coffee and your own taste, but we suggest 1 measuring spoon of coffee beans per cup of coffee. The Grinder Cup will hold up to a maximum of 2.1 oz. (60g) of whole coffee beans.
6. Place the Grinder Cup Lid onto the Grinder Cup.
7. Turn the Fineness Control Ring to adjust from a fine grind, medium grind, or coarse grind.
8. Turn the Cups Control Knob to grind beans for 1 to 6 cups of coffee.
9. Plug the Grinder into a 120V AC electrical outlet.
10. Press the On/Off Button to begin grinding. When the Grinder has finished grinding, it will turn OFF automatically or you may also press the On/Off Button to turn unit OFF. Remove ground coffee from Grinder Recovery Cup.

NOTE: The maximum capacity of this Grinder is 2.1 oz. (60g). Please do not exceed MAX marking on the Grinder Cup.

11. Remove plug from electrical outlet when not in use.

USER MAINTENANCE INSTRUCTIONS

This appliance requires little maintenance. It contains no user serviceable parts. Do not try to repair it yourself. Any servicing requiring disassembly other than cleaning must be performed by a qualified appliance repair technician.

CAUTION: NEVER PLACE BASE OF APPLIANCE IN WATER OR OTHER LIQUIDS.

1. Make sure the Grinder is unplugged before cleaning.
2. Remove all excess grounds from the Grinder Recovery Cup to prevent stale coffee grounds from affecting the flavor of freshly ground beans.
3. After each use, remove the Grinder Recovery Cup. Using the Cleaning Spatula (bent end of the Measuring Spoon), clear any debris from the Grinding Chute. See Figure 4.
4. Wipe the Grinder Cup clean with a soft, dry cloth.

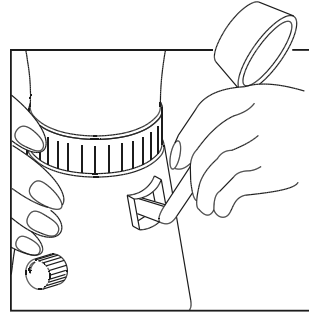


Figure 4

NOTE: Do not use water when cleaning the Grinder Cup.

5. The Grinder Recovery Cup may be rinsed in warm water and dried with a cloth.

CAUTION: THE GRINDER CUP, GRINDER CUP LID, GRINDER RECOVERY CUP AND RECOVERY CUP LID ARE NOT DISHWASHER SAFE.

CARE AND CLEANING

1. Clean exterior of Base and all parts with a soft, damp cloth.

STORAGE

1. Store Grinder with both the Grinder Cup and Recovery Cup in position on the Grinder Base and both of the Lids in place.
2. Turn upside down and wrap cord around cord storage on inside of Base.
3. Store Grinder in its original box or in a clean, dry area.

FARBERWARE®

ONE-YEAR LIMITED WARRANTY

Warranty: This Farberware® product is warranted by Salton, Inc. to be free from defects in materials or workmanship for a period of (1) year from the original purchase date. This product warranty covers only the original consumer purchaser of the product.

Warranty Coverage: This warranty is void if the product has been damaged by accident in shipment, unreasonable use, misuse, neglect, improper service, commercial use, repairs by unauthorized personnel, normal wear and tear, improper assembly, installation or maintenance abuse or other causes not arising out of defects in materials or workmanship. This warranty is effective only if the product is purchased and operated in the USA, and does not extend to any units which have been used in violation of written instructions furnished with the product or to units which have been altered or modified or to damage to products or parts thereof which have had the serial number removed, altered, defaced or rendered illegible.

Implied Warranties: ANY IMPLIED WARRANTIES WHICH THE PURCHASER MAY HAVE ARE LIMITED IN DURATION TO ONE (1) YEAR FROM THE DATE OF PURCHASE. Some states do not allow limitations on how long an implied warranty lasts, so the above limitation may not apply to you.

Warranty Performance: During the above one-year warranty period, a product with a defect will be either repaired or replaced with a reconditioned comparable model (at our option) when the product is returned to the Repair Center, or the purchase price refunded. The repaired or replacement product will be in warranty for the balance of the one-year warranty period and an additional one-month period. No charge will be made for such repair or replacement.

Service and Repair: Should the appliance malfunction, you should first call toll-free 1 (888) 881-8101 between the hours of 9:00 am and 5:00 pm Central Standard Time and ask for CONSUMER SERVICE stating that you are a consumer with a problem. Please refer to model number FAC500G when you call.

In-Warranty Service (USA): For an appliance covered under the warranty period, no charge is made for service or postage. Call for return authorization 1 (888) 881-8101.

Out-of Warranty Service: A flat rate charge by model is made for out-of-warranty service. Include \$8.00 (U.S.) for return shipping and handling. We will notify you by mail of the amount of the charge for service and require you to pay in advance for the repair or replacement.

For Products Purchased in the USA, but Used in Canada: You may return the product insured, packaged with sufficient protection, and postage and insurance prepaid to the USA address listed below. Please note that all customs duty / brokerage fees, if any, must be paid by you and we will require you to pay the cost of customs duty / brokerage fees to us in advance of our performing any service.

Risk During Shipment: We cannot assume responsibility for loss or damage during incoming shipment. For your protection, carefully package the product for shipment and insure it with the carrier. Be sure to enclose the following items with your appliance: any accessories related to your problem, your full return address and daytime phone number, a note describing the problem you experienced, a copy of your sales receipt or other proof of purchase to determine warranty status. C.O.D. shipments cannot be accepted.

To return the appliance, ship to:

ATTN: Repair Center
Salton, Inc.
708 South Missouri Street
Macon, MO 63552

To contact us, please write to, call, or email:

Salton, Inc.
P.O. Box 7366
Columbia, MO 65205-7366
1-888-881-8101
E-mail: Farberware-electric@Saltonusa.com

Limitation of Remedies: No representative or person is authorized to assume for Salton, Inc. any other liability in connection with the sale of our products. There shall be no claims for defects or failure of performance or product failure under any theory of tort, contract or commercial law including, but not limited to negligence, gross negligence, strict liability, breach of warranty and breach of contract. Repair, replacement or refund shall be the sole remedy of the purchaser under this warranty, and **in no event shall Salton be liable for any incidental or consequential damages, losses or expenses.** Some states do not allow the exclusion or limitation of incidental or consequential damages, so the above limitation or exclusion may not apply to you.

Legal Rights: This warranty gives you specific legal rights, and you may also have other rights which vary from state to state.

For more information on Salton products, visit our website: www.eSalton.com

©2004 Salton, Inc. All rights reserved.

FARBERWARE® is a registered trademark of Farberware Inc.®

Manufactured and sold pursuant to a license from Farberware Inc.®

Free Manuals Download Website

<http://myh66.com>

<http://usermanuals.us>

<http://www.somanuals.com>

<http://www.4manuals.cc>

<http://www.manual-lib.com>

<http://www.404manual.com>

<http://www.luxmanual.com>

<http://aubethermostatmanual.com>

Golf course search by state

<http://golfingnear.com>

Email search by domain

<http://emailbydomain.com>

Auto manuals search

<http://auto.somanuals.com>

TV manuals search

<http://tv.somanuals.com>