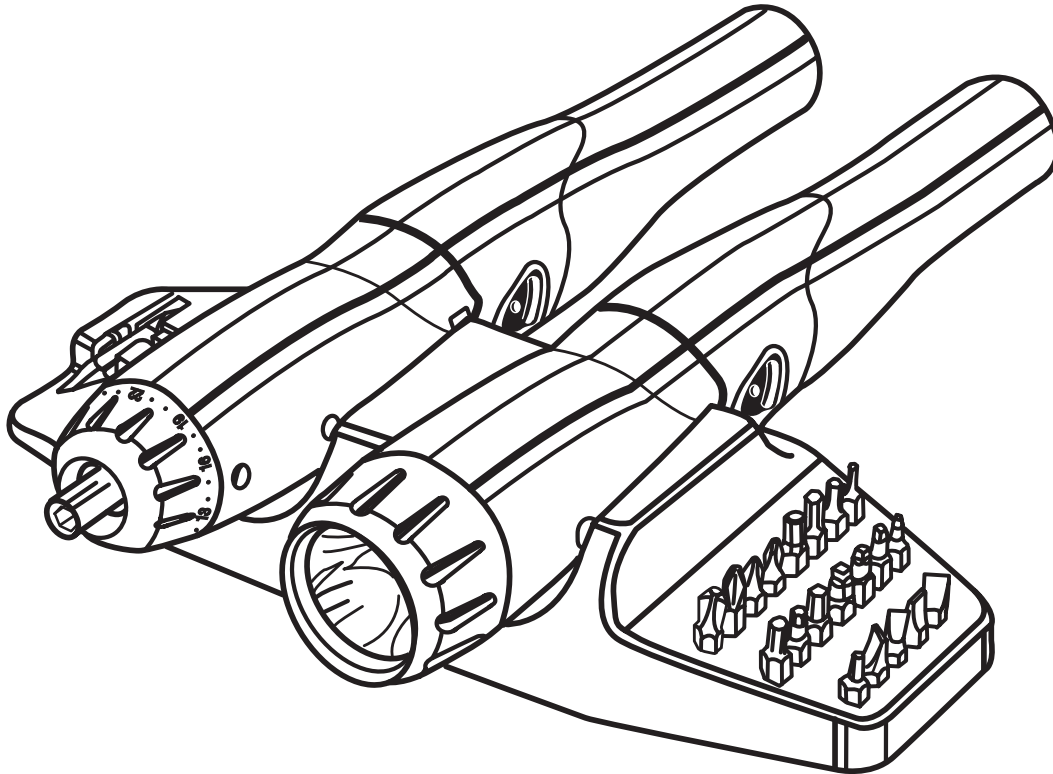


RYOBI®

OPERATOR'S MANUAL SCREWDRIVER/FLASHLIGHT HP36KF



THANK YOU FOR BUYING A RYOBI SCREWDRIVER/FLASHLIGHT COMBINATION KIT.

Your new screwdriver/flashlight combination has been engineered and manufactured to Ryobi's high standard for dependability, ease of operation, and operator safety. Properly cared for, it will give you years of rugged, trouble-free performance.



CAUTION: Carefully read through this entire operator's manual before using your new screwdriver/flashlight combination.

Pay close attention to the Rules for Safe Operation, Warnings, and Cautions. If you use your screwdriver and flashlight properly and only for what they are intended, you will enjoy years of safe, reliable service.

Thank you again for buying Ryobi tools.

SAVE THIS MANUAL FOR FUTURE REFERENCE

TABLE OF CONTENTS

■ Introduction	2
■ General Safety Rules	3-4
■ Specific Safety Rules	4-5
■ Symbols	6
■ Specifications	7
■ Unpacking	7
■ Features	8-9
■ Adjustments	10-11
■ Operation	12
■ Maintenance	13
■ Parts, Ordering, and Service	14

INTRODUCTION

Your screwdriver/flashlight combination has many features for making the use of this tool more pleasant and enjoyable. Safety, performance, and dependability have been given top priority in the design of this screwdriver/flashlight combination making it easy to maintain and operate.

WARNING:

Do not attempt to operate this tool until you have read thoroughly and understand completely all instructions, safety rules, etc. contained in this manual. Failure to comply can result in accidents involving fire, electric shock, or serious personal injury. Save the operator's manual and review it frequently for continuing safe operation and instructing others who may use this tool.



The operation of any power tool can result in foreign objects being thrown into your eyes, which can result in severe eye damage. Before beginning tool operation, always wear safety goggles or safety glasses with side shields and a full face shield when needed. We recommend Wide Vision Safety Mask for use over eyeglasses or standard safety glasses with side shields. Always wear eye protection which is marked to comply with ANSI Z87.1.



Look for this symbol to point out important safety precautions. It means attention!!! Your safety is involved.

GENERAL SAFETY RULES

SAVE THESE INSTRUCTIONS



WARNING:

Read and understand all instructions. Failure to follow all instructions listed below, may result in electric shock, fire and/or serious personal injury.

WORK AREA

- **Keep your work area clean and well lit.** Cluttered benches and dark areas invite accidents.
- **Do not operate power tools in explosive atmospheres, such as in the presence of flammable liquids, gases, or dust.** Power tools may create sparks which may ignite the dust or fumes.
- **Keep bystanders, children, and visitors away while operating a power tool.** Distractions can cause you to lose control.

ELECTRICAL SAFETY

- **Do not abuse the cord. Never use the cord to carry the charger. Keep cord away from heat, oil, sharp edges, or moving parts. Replace damaged cords immediately.** Damaged cords may create a fire.
- **A battery operated tool with integral batteries or a separate battery pack must be recharged only with the specified charger for the battery.** A charger that may be suitable for one type of battery may create a risk of fire when used with another battery. Use battery only with charger listed.

MODEL	CHARGER
-------	---------

HP36, FL36	1426001
------------	---------

- **Use battery operated tool only with specifically designated battery pack.** Use of any other batteries may create a risk of fire. Use only with battery pack listed.

PERSONAL SAFETY

- **Stay alert, watch what you are doing and use common sense when operating a power tool. Do not use tool while tired or under the influence of drugs, alcohol, or medication.** A moment of inattention while operating power tools may result in serious personal injury.
- **Dress properly. Do not wear loose clothing or jewelry. Contain long hair. Keep your hair, clothing, and gloves away from moving parts.** Loose clothes, jewelry, or long hair can be caught in moving parts.
- **Avoid accidental starting. Be sure switch is in the locked or off position before inserting battery pack.** Carrying tools with your finger on the switch or inserting the battery pack into a tool with the switch on, invites accidents.

- **Remove adjusting keys or wrenches before turning the tool on.** A wrench or a key that is left attached to a rotating part of the tool may result in personal injury.
- **Do not overreach. Keep proper footing and balance at all times.** Proper footing and balance enables better control of the tool in unexpected situations. Do not use on a ladder or unstable support.
- **Use safety equipment. Always wear eye protection.** Dust mask, non-skid safety shoes, hard hat, or hearing protection must be used for appropriate conditions.

TOOL USE AND CARE

- **Use clamps or other practical way to secure and support the workpiece to a stable platform.** Holding the work by hand or against your body is unstable and may lead to loss of control.
- **Do not force tool. Use the correct tool for your application.** The correct tool will do the job better and safer at the rate for which it is designed.
- **Do not use tool if switch does not turn it on or off.** A tool that cannot be controlled with the switch is dangerous and must be repaired.
- **Disconnect battery pack from tool or place the switch in the locked or off position before making any adjustments, changing accessories, or storing the tool.** Such preventive safety measures reduce risk of starting the tool accidentally.
- **Store idle tools out of reach of children and other untrained persons.** Tools are dangerous in the hands of untrained users.
- **When battery pack is not in use, keep it away from other metal objects like: paper clips, coins, keys, nails, screws, or other small metal objects that can make a connection from one terminal to another.** Shorting the battery terminals together may cause sparks, burns, or a fire.
- **Maintain tools with care. Keep cutting tools sharp and clean.** Properly maintained tools with sharp cutting edges are less likely to bind and are easier to control.
- **Check for misalignment or binding of moving parts, breakage of parts, and any other condition that may affect the tool's operation. If damaged, have the tool serviced before using.** Many accidents are caused by poorly maintained tools.
- **Use only accessories that are recommended by the manufacturer for your model.** Accessories that may be suitable for one tool, may create a risk of injury when used on another tool.

GENERAL SAFETY RULES

SERVICE

- **Tool service must be performed only by qualified repair personnel.** Service or maintenance performed by unqualified personnel may result in a risk of injury.
- **When servicing a tool, use only identical replacement parts. Follow instructions in the Maintenance section of this manual.** Use of unauthorized parts or failure to follow Maintenance Instructions may create a risk of shock or injury.

SPECIFIC SAFETY RULES

Hold tool by insulated gripping surfaces when performing an operation where the cutting tool may contact hidden wiring. Contact with a "live" wire will make exposed metal parts of the tool "live" and shock the operator.

ADDITIONAL SAFETY RULES

- **Know your power tool. Read operator's manual carefully. Learn its applications and limitations, as well as the specific potential hazards related to this tool.** Following this rule will reduce the risk of electric shock, fire, or serious injury.
- **Do not place cordless tools or their batteries near fire or heat.** This will reduce the risk of explosion and possibly injury.

WARNING:

Some dust created by power sanding, sawing, grinding, drilling, and other construction activities contains chemicals known to cause cancer, birth defects or other reproductive harm. Some examples of these chemicals are:

- lead from lead-based paints,
- crystalline silica from bricks and cement and other masonry products, and
- arsenic and chromium from chemically-treated lumber.

Your risk from these exposures varies, depending on how often you do this type of work. To reduce your exposure to these chemicals: work in a well ventilated area, and work with approved safety equipment, such as those dust masks that are specially designed to filter out microscopic particles.

WARNING:

Batteries vent hydrogen gas and can explode in the presence of a source of ignition, such as a pilot light. To reduce the risk of serious personal injury, never use any cordless product in the presence of open flame. An exploded battery can propel debris and chemical. If exposed, flush with water immediately.

- **Do not charge cordless tool in a damp or wet location.** Following this rule will reduce the risk of electric shock.
- **For best results, your cordless tool should be charged in a location where the temperature is more than 50°F but less than 100°F. Do not store outside or in vehicles.**
- **Under extreme usage or temperature conditions, battery leakage may occur. If liquid comes in contact with your skin, wash immediately with soap and water, then neutralize with lemon juice or vinegar. If liquid gets into your eyes, flush them with clean water for at least 10 minutes, then seek immediate medical attention.** Following this rule will reduce the risk of serious personal injury.

CORDLESS TOOL RULES

- **Cordless tools do not have to be plugged into an electrical outlet; therefore, they are always in operating condition. Be aware of possible hazards when not using your cordless tool or when changing accessories.** Following this rule will reduce the risk of electric shock, fire, or serious personal injury.

WARNING:

A damaged battery is subject to explosion. To avoid serious personal injury, properly dispose of a damaged battery.

SPECIFIC SAFETY RULES

CHARGER SAFETY INSTRUCTIONS

- **Save these instructions. This manual contains important safety and operating instructions for charger.** Following this rule will reduce the risk of electric shock, fire, or serious personal injury.
- **Before using battery charger, read all instructions and cautionary markings in this manual, on battery charger, and product using battery charger.** Following this rule will reduce the risk of electric shock, fire, or serious personal injury.
- **To reduce risk of injury, charge only nickel-cadmium and nickel metal hydride type rechargeable batteries. Other types of batteries may burst causing personal injury and damage.** Following this rule will reduce the risk of electric shock, fire, or serious personal injury.
- **Do not expose charger to wet or damp conditions.** Following this rule will reduce the risk of electric shock, fire, or serious personal injury.
- **Use of an attachment not recommended or sold by the battery charger manufacturer may result in a risk of fire, electric shock, or injury to persons.** Following this rule will reduce the risk of electric shock, fire, or serious personal injury.
- **To reduce risk of damage to charger body and cord, pull by charger plug rather than cord when disconnecting charger.** Following this rule will reduce the risk of electric shock, fire, or serious personal injury.
- **Make sure cord is located so that it will not be stepped on, tripped over, or otherwise subjected to damage or stress.** Following this rule will reduce the risk of serious personal injury.
- **An extension cord should not be used unless absolutely necessary.** Use of improper extension cord could result in a risk of fire and electric shock. If extension cord must be used, make sure:
 - a. That pins on plug of extension cord are the same number, size and shape as those of plug on charger.
 - b. That extension cord is properly wired and in good electrical condition; and
 - c. That wire size is large enough for AC ampere rating of charger as specified below:

Cord Length (Feet)	25'	50'	100'
Cord Size (AWG)	16	16	16
- **Do not operate charger with a damaged cord or plug. If damaged, have replaced immediately by a qualified serviceman.** Following this rule will reduce the risk of electric shock, fire, or serious personal injury.
- **Do not operate charger if it has received a sharp blow, been dropped, or otherwise damaged in any way; take it to a qualified serviceman.** Following this rule will reduce the risk of electric shock, fire, or serious personal injury.
- **Do not disassemble charger; take it to a qualified serviceman when service or repair is required. Incorrect reassembly may result in a risk of electric shock or fire.** Following this rule will reduce the risk of electric shock, fire, or serious personal injury.
- **To reduce the risk of electric shock, unplug charger from outlet before attempting any maintenance or cleaning. Turning off controls will not reduce this risk.** Following this rule will reduce the risk of electric shock, fire, or serious personal injury.
- **Disconnect charger from power supply when not in use.** Following this rule will reduce the risk of electric shock, fire, or serious personal injury.




DANGER:

RISK OF ELECTRIC SHOCK. DO NOT TOUCH UNINSULATED PORTION OF OUTPUT CONNECTOR OR UNINSULATED BATTERY TERMINAL.

- **Save these instructions. Refer to them frequently and use them to instruct others who may use this tool. If you loan someone this tool, loan them these instructions also.** Following this rule will reduce the risk of electric shock, fire, or serious personal injury.

SYMBOLS

Important: Some of the following symbols may be used on your tool. Please study them and learn their meaning. Proper interpretation of these symbols will allow you to operate the tool better and safer.

SYMBOL	NAME	EXPLANATION
V	Volts	Voltage
A	Amperes	Current
Hz	Hertz	Frequency (cycles per second)
W	Watt	Power
min	Minutes	Time
~	Alternating Current	Type or a characteristic of current
==	Direct Current	Type or a characteristic of current
n_0	No Load Speed	Rotational speed, at no load
	Class II Construction	Designates double-insulated construction tools
.../min	Revolutions or Reciprocation Per Minute	Revolutions, strokes, surface speed, orbits etc. per minute
	Safety Alert	Indicates danger, warning or caution. It means attention!!! Your safety is involved.
	Wet Conditions Alert	Do not expose to rain or use in damp locations.

The purpose of safety symbols is to attract your attention to possible dangers. The safety symbols, and the explanations with them, deserve your careful attention and understanding. The safety warnings do not by themselves eliminate any danger. The instructions or warnings they give are not substitutes for proper accident prevention measures.

SYMBOL MEANING



DANGER: Failure to obey a safety warning will result in serious injury to yourself or to others. Always follow the safety precautions to reduce the risk of fire, electric shock and personal injury.



WARNING: Failure to obey a safety warning can result in serious injury to yourself or to others. Always follow the safety precautions to reduce the risk of fire, electric shock and personal injury.



CAUTION: Failure to obey a safety warning may result in property damage or personal injury to yourself or to others. Always follow the safety precautions to reduce the risk of fire, electric shock and personal injury.

NOTE: Advises you of information or instructions vital to the operation or maintenance of the equipment.

SAVE THESE INSTRUCTIONS

SPECIFICATIONS

Motor (Screwdriver)	3.6 Volts DC
Collet (Screwdriver)	1/4 in. (6.4 mm)
No Load Speed (Screwdriver)	180 RPM
Switch (Screwdriver)	Reversible
Maximum Torque (Screwdriver)	45 in. lbs.
Charger Rating	120 Volts, 60 Hz, AC only
Charge Time	10 hours

UNPACKING

INSTRUCTIONS

Your screwdriver/flashlight combination has been shipped completely assembled.

- Carefully remove the screwdriver, flashlight, and accessories from the box. Make sure that all items listed in the packing list are included.
- Inspect the screwdriver/flashlight combination carefully to make sure no breakage or damage has occurred during shipping.
- Do not discard the packing material until you have carefully inspected and satisfactorily operated the tools.

PACKING LIST

Screwdriver
Flashlight
Bits (23-piece set)
Bulb
Cradle/Charger with bit storage
Operator's Manual

WARNING:

If any parts are missing, do not operate this tool until the missing parts are replaced. Failure to do so could result in possible serious personal injury.

FEATURES

SWITCH

Your flashlight has a conveniently located trigger switch.

ANGLE ADJUSTMENT

Your screwdriver and flashlight are both equipped with an angle adjustment feature that allows you to adjust the angle of the tools.

BI-DIRECTIONAL ROTATION

Your screwdriver has a conveniently located switch that allows you to easily change the direction of the bit rotation.

TORQUE ADJUSTMENT

You can easily adjust the torque of the screwdriver. The maximum torque is 45 lbs./in.

ERGONOMIC DESIGN

The design of your screwdriver and flashlight provides easy handling. They have been designed to be comfortable and easy to grasp when operating in different positions or at different angles.

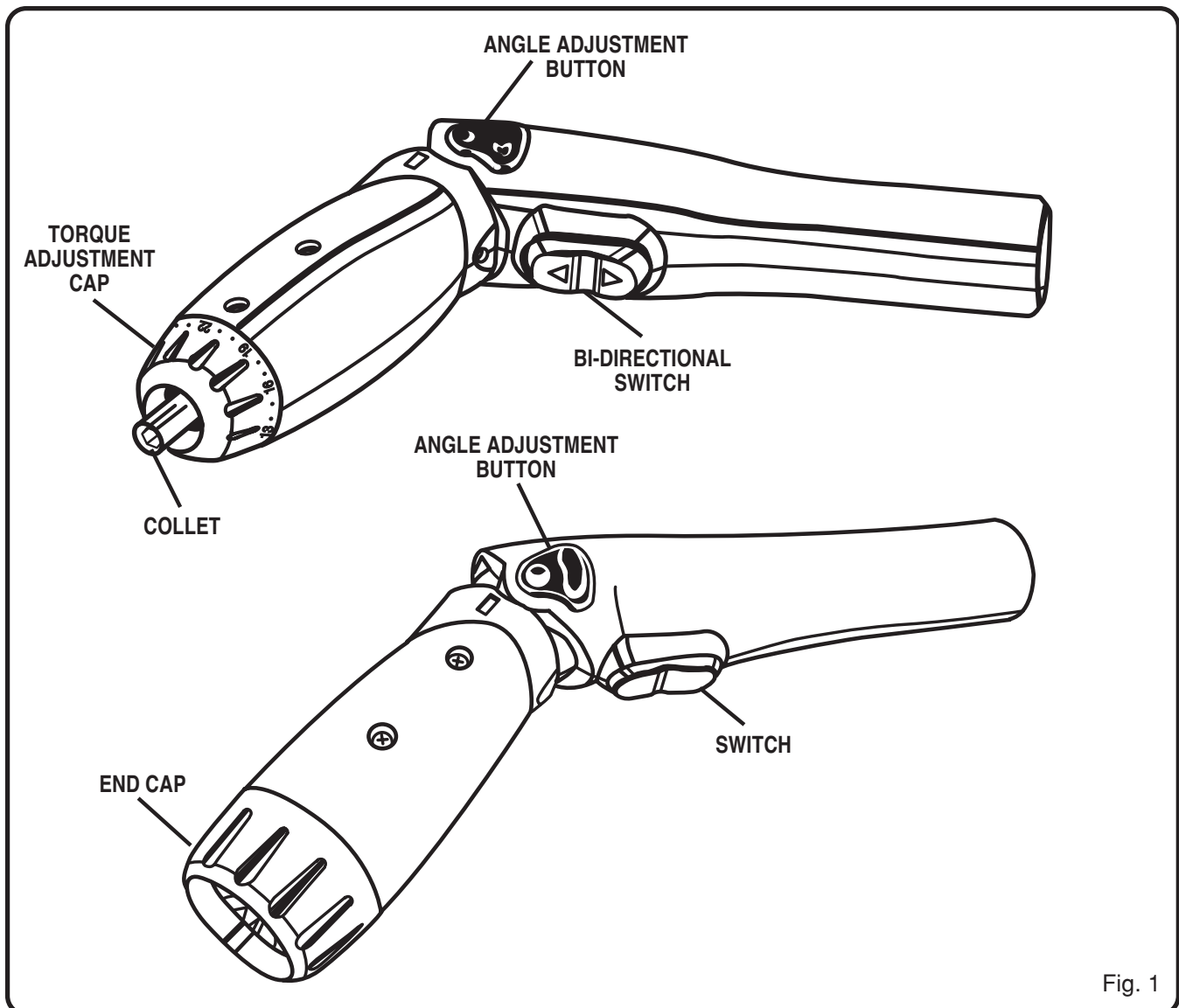


Fig. 1

⚠ WARNING:

Do not attempt to modify this tool or create accessories not recommended for use with this tool. Any such alteration or modification is misuse and could result in a hazardous condition leading to possible serious personal injury.

ADJUSTMENTS

⚠ WARNING:

Your screwdriver/flashlight combination should never be connected to power supply when you are assembling parts, making adjustments, cleaning, performing maintenance, or when not in use. Disconnecting your tools will prevent accidental starting that could cause serious injury.

INSERTING/REMOVING BITS

See Figure 2.

Follow these directions when inserting and removing bits.

- **To insert bit:** Insert shank end of bit into collet.
- **To remove bit:** Remove bit when finished and place in storage cradle.

ADJUSTING TORQUE (SCREWDRIVER)

See Figure 3.

Follow these directions when adjusting torque.

- Locate arrow on torque adjustment cap.
- **To increase torque:** Turn torque adjustment cap counterclockwise.
- **To decrease torque:** Turn torque adjustment cap clockwise.

ADJUSTING TOOL ANGLE

See Figure 4.

Follow these directions when adjusting tool angle.

- Press angle adjustment button.
- Move head of tool down until it snaps into place.

NOTE: To return tool to original position, press angle adjustment button and move head of tool up until it snaps into place.

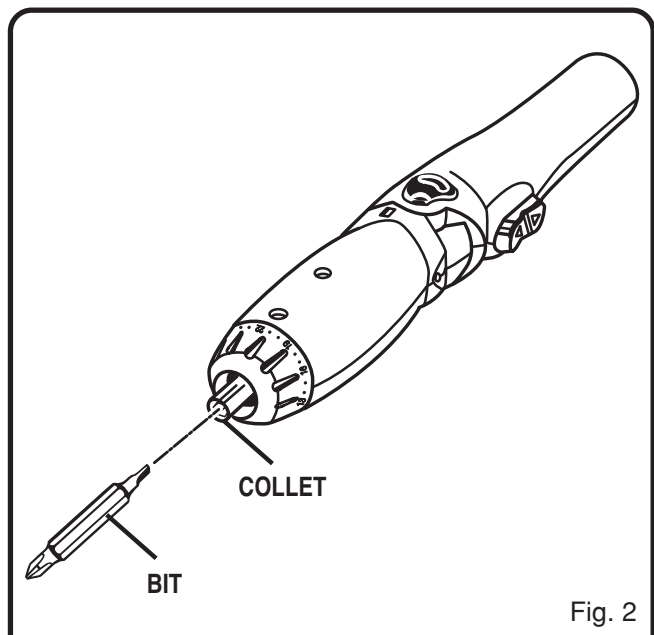


Fig. 2

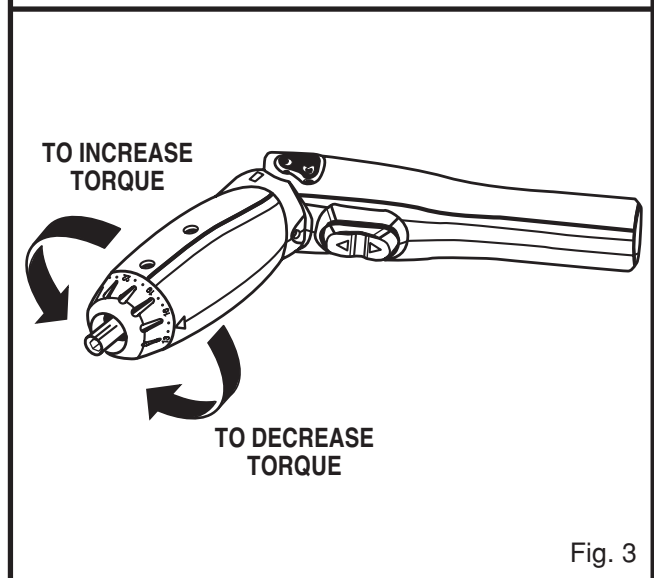


Fig. 3

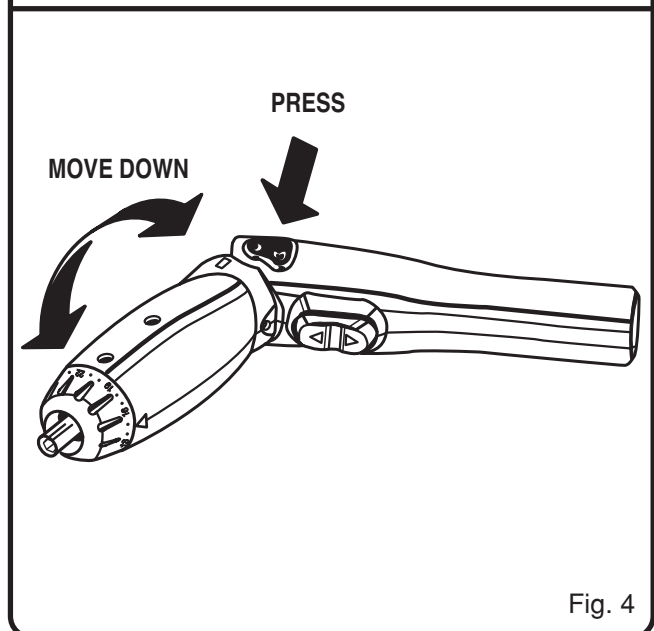


Fig. 4

OPERATION

MOUNTING CRADLE/CHARGER

See Figure 5.

Follow these directions when mounting the cradle/charger.

- Locate a convenient electrical outlet.

NOTE: Temporarily place the tools in the cradle/charger to make sure they will not interfere with surrounding objects.

- Place cradle/charger in the desired location.
- Mark holes with pencil.
- Remove cradle/charger.
- Drill four pilot holes.
- Position cradle/charger, aligning holes in cradle/charger with pilot holes.
- Secure cradle/charger with four (4) screws provided.

CHARGING TOOLS

See Figure 6.

Follow these directions when charging the tools.

- Place screwdriver and flashlight in cradle/charger, aligning side tabs.
- Plug in cradle/charger.

The light emitting diode (LED) lights up when the cradle/charger is properly connected to the power supply. This light indicates the tools are charging and will remain on until the cradle/charger is disconnected from the power supply.

After normal usage, a minimum of ten (10) hours charging time is required for the tools to be fully charged. Battery life is extended if the tools are removed after charging.

Do not place cradle/charger in an area of extreme heat or cold. It works best at normal room temperature.

TURNING FLASHLIGHT ON/OFF

See Figure 7.

Follow these directions when turning the flashlight on and off.

- To turn flashlight on: Depress the switch once.
- To turn flashlight off: Depress the switch again.

CHANGING SCREWDRIVER ROTATION

See Figure 8.

Follow these directions when changing the screwdriver rotation.

- To insert a screw: Depress the up arrow.
- To remove a screw: Depress the down arrow.

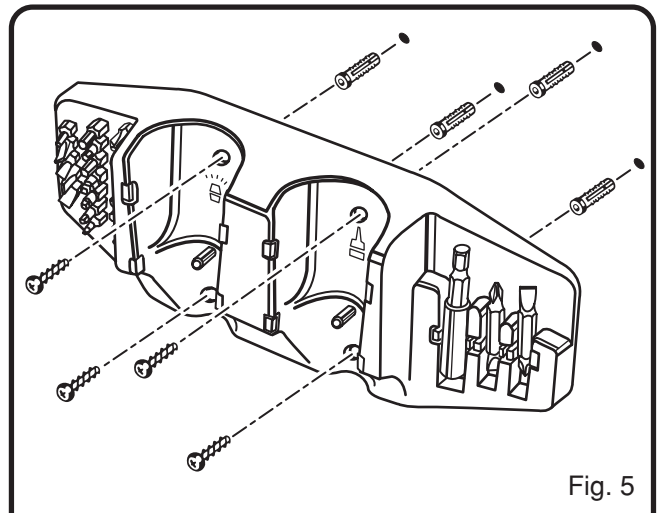


Fig. 5

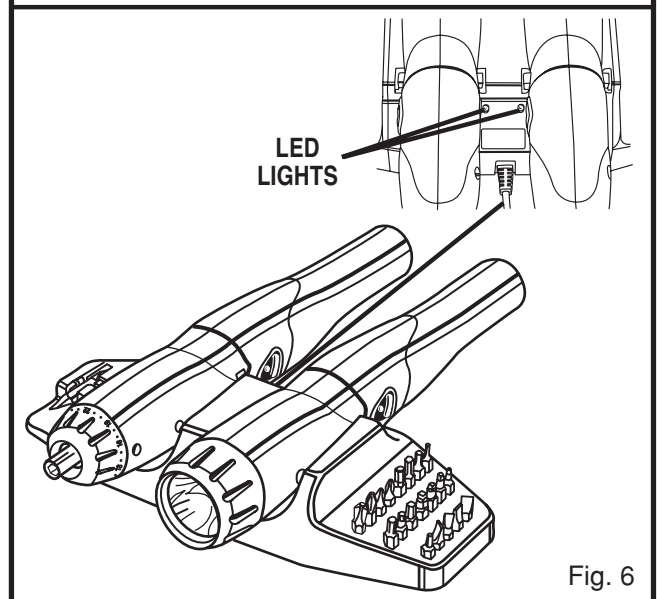


Fig. 6

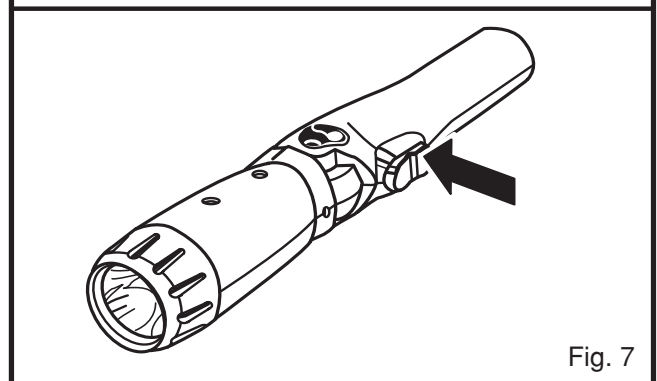


Fig. 7

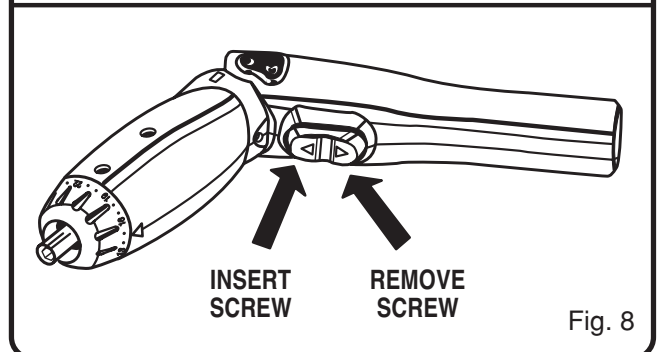


Fig. 8

MAINTENANCE

⚠ WARNING:

When servicing use only identical Ryobi replacement parts. Use of any other parts may create a hazard or cause product damage.

GENERAL

Avoid using solvents when cleaning plastic parts. Most plastics are susceptible to damage from various types of commercial solvents and may be damaged by their use. Use clean cloths to remove dirt, carbon dust, etc.

⚠ WARNING:

Do not at any time let brake fluids, gasoline, petroleum-based products, penetrating oils, etc. come in contact with plastic parts. They contain chemicals that can damage, weaken, or destroy plastic.

BITS

Keep bits clean. Remove all accumulated build-up from bits after each use. Replace bits when they become dull.

REPLACING BULB

See Figure 9.

When purchasing a replacement bulb, request part number 7803001.

Follow these directions when replacing the bulb.

- Remove the end cap by turning it counterclockwise, and then by pulling it off.
- Turn bulb until notch aligns with tab.
- Remove old bulb.
- Insert new bulb, aligning notch with tab.
- Turn bulb a quarter turn.
- Replace end cap by aligning the bulb with the hole, pushing the cap down, and then by turning the cap clockwise.

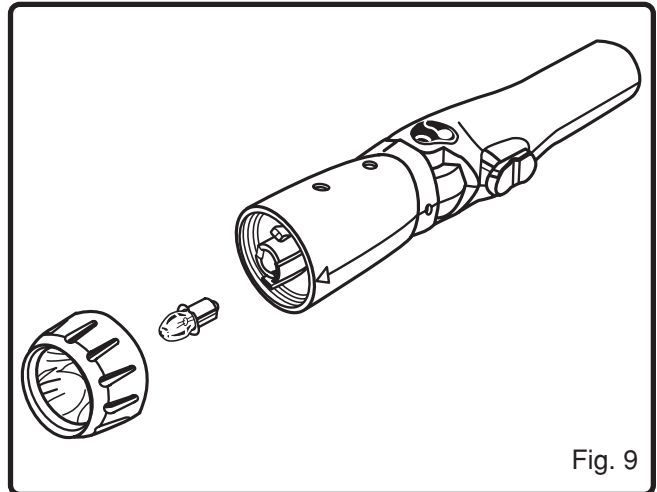


Fig. 9



OPERATOR'S MANUAL SCREWDRIVER/FLASHLIGHT HP36KF

- **SERVICE**

Now that you have purchased your tool, should a need ever exist for repair parts or service, simply contact your nearest Ryobi Authorized Service Center. Be sure to provide all pertinent facts when you call or visit. Please call 1-800-525-2579 for your nearest Ryobi Authorized Service Center. You can also check our Web site at www.ryobitools.com for a complete list of Authorized Service Centers.

- **MODEL NO. AND SERIAL NO.**

The model number of this tool will be found on a plate attached to the motor housing. Please record the model number and serial number in the space provided below.

- **HOW TO ORDER REPAIR PARTS**

WHEN ORDERING REPAIR PARTS,
ALWAYS GIVE THE FOLLOWING INFORMATION:

- MODEL NUMBER HP36, FL36
- SERIAL NUMBER _____

RYOBI TECHNOLOGIES INC.

1428 Pearman Dairy Road Anderson, SC 29625
Post Office Box 1207 Anderson, SC 29622
www.ryobitools.com
Phone 1-800-525-2579

Free Manuals Download Website

<http://myh66.com>

<http://usermanuals.us>

<http://www.somanuals.com>

<http://www.4manuals.cc>

<http://www.manual-lib.com>

<http://www.404manual.com>

<http://www.luxmanual.com>

<http://aubethermostatmanual.com>

Golf course search by state

<http://golfingnear.com>

Email search by domain

<http://emailbydomain.com>

Auto manuals search

<http://auto.somanuals.com>

TV manuals search

<http://tv.somanuals.com>