



QUADRA-FIRE

North America's Best

REMINGTON QFP40

Direct Vent Gas Fireplace



INSTALLATION, VENTING, OPERATION AND MAINTENANCE MANUAL

Installation and service must be performed by a qualified installer, service agency, or the gas supplier.

WARNING!

If the information in these instructions is not followed exactly a fire or explosion may result causing property damage, personal injury or death.

FOR YOUR SAFETY

DO NOT store or use gasoline or other flammable vapors and liquids in the vicinity of this or any other appliance.

WHAT TO DO IF YOU SMELL GAS

- ◆ Extinguish any open flame.
- ◆ Open windows.
- ◆ Do not try to light any appliance.
- ◆ Do not touch any electric switch.
- ◆ Do not use any telephone in your building.
- ◆ Immediately call your gas supplier from a neighbor's phone.
- ◆ Follow the gas supplier's instructions.
- ◆ If you cannot reach your gas supplier, call the fire department.

This appliance may be installed in an aftermarket permanently located, manufactured (mobile) home where not prohibited by local codes.

This appliance is only for use with the type of gas indicated on the rating plate.

This appliance is not convertible for use with other gases, unless a certified kit is used.

SAVE THESE INSTRUCTIONS

 **ALADDIN**
HEARTH PRODUCTS
A Division of Hearth Technologies Inc.

1445 North Highway
Colville, WA 99114

Part #250-4721 (842-3291) 06/2001

Tested and
Listed by  Beaverton
Oregon USA
OMNI-Test Laboratories, Inc.

www.aladdinhearth.com
aladdin@aladdinhearth.com


CONGRATULATIONS!

Aladdin Hearth Products welcomes you to our tradition of excellence! In choosing a **Quadra-Fire** appliance, you have our assurance of commitment to quality, durability, and performance.

This commitment begins with our research of the market, including 'Voice of the Customer' contacts, ensuring we make products that will satisfy your needs. Our Research and Development facility then employs the world's most advanced technology to achieve the optimum operation of our stoves, inserts and fireplaces. And yet we are old-fashioned when it comes to craftsmanship. During manufacturing each unit is meticulously fabricated and gold surfaces are hand-finished for lasting beauty and enjoyment. Our pledge to quality is completed as each model undergoes a quality control inspection. Additionally, we feel it is important to offer you several finishing options and accessories to compliment your home's décor, individualize the use of your appliance, and provide financial options in acquiring a quality hearth appliance. Ask your **Quadra-Fire** Dealer for information on these options. From design, to fabrication, to shipping: Our guarantee of quality is more than a word, it's **Quadra-Fire** tradition, and we proudly back this tradition with a **Lifetime Warranty**.

Prior to installation, we ask you to take a few moments to read this manual. It has been our experience that your overall enjoyment of your new appliance will be greatly enhanced by becoming familiar with its' installation, operation and maintenance requirements. We wish you and your family many years of enjoyment in the warmth and comfort of your hearth appliance. **Thank you** for choosing **Quadra-Fire**.

With warm regards,



President

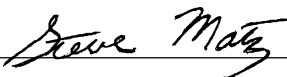

V.P. R&D

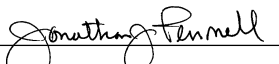

Controller


Operations Mgr.

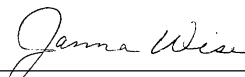

V.P. Marketing

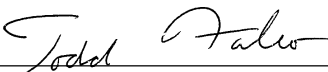

Western Sales Mgr.


Central Sales Mgr.


Eastern Sales Mgr.


Manufacturing Engineer


Sr. Purchasing Agent


Technical Support Mgr.


Order Fulfillment Mgr.


Quality Assurance Mgr


Human Resources

WELCOME



NOTES

MODEL NAME

Quadra Fire REMINGTON QFP40

SERIAL NUMBER

Located on front, lower ledge of control panel.

DATE PURCHASED

DEALERSHIP WHERE PURCHASED

DEALER PHONE

ADDITIONAL INFORMATION

After completing your warranty card, attach your sales receipt and warranty stub here for future reference.

NOTES

CONTENTS

CONTENTS

SAFETY & CLEARANCES:	
Ratings Plate	6
Standards Listing & Clearances Label	7
Safety Notices	9
SPECIFICATIONS:	
Heating Specifications	10
ZC Appliance Dimensions	10
Minimum Cabinet Dimensions	11
INSTALLATION PREPARATION:	
Installation Terminology	12
Preparation	13
Overview of Installation to Operation	13
LP Conversion Instructions	14
INSTALLATION:	
Minimum Framing Dimensions	16
Corner Installations	17
Raised Fireplaces	18
Hearth Requirements	20
Mantel Requirements	21
Arched Fascia Dimensions	22
Acid Wash Alert	22
Rectangular Fascia Dimensions	23
Facing Requirements	24
Facing Over 1" Thick	25
VENTING INSTRUCTIONS:	
General Venting Instructions	26
Simpson Dura-Vent Parts List & Kits	27
Venting Installation Options & Guidelines	28
Vertical Termination Rule	28
Termination Cap Requirements	28
Venting Installation Examples:	
Horizontal	29
Vertical	29
Class A Metal Chimney	30
Masonry Chimney	31
How to use Vent Graph	32
Horizontal Termination Requirements	33
Horizontal Installation Instructions	34
Vertical Installation Instructions	38

CONTENTS

COMPLETING INSTALLATION:

- Gas Line Requirements 46
- Electrical Connection 47
- Optional Thermostat Connection 47
- Optional Brick Installation 48
- Logset and Nugget Installation 50
- Glass Installation 53
- Fascia Installation 53
- Leak Test 54
- Initial Start-up Normal Occurrences 54
- Lighting Instructions 55
- Shutter Adjustment 56
- Damper Adjustment 56
- Flame Height Adjustment 56
- Adjusting Blower Speed 56
- Normal Operating Sounds 56
- High Altitude Operation & Adjustment 57

OPERATION:

- Control Panel 58

MAINTENANCE:

- General Maintenance 59
- Yearly Servicing 60
- Glass Replacement 61
- Blower Replacement 62
- Electrical Schematic 63

TROUBLESHOOTING 64

PARTS & ACCESSORIES 66

WARRANTY 67

CONTENTS

RATINGS PLATE

SERIAL NO.

MODEL: REMINGTON

Tested and Listed by  Beaverton Oregon USA
 OMNI-Test Laboratories, Inc.
 Report No. 061-S-14-5

SERIAL NO.

MODEL: REMINGTON

 **ALADDIN**
 HEARTH PRODUCTS
A Division of Hearth Technologies Inc.
 1445 N. Highway
 Colville, WA 99114

APPROVED FOR CANADA AND USA TO:
 ANSI Z21.88-1998/CSA 2.33-M1998 Vented Gas Fireplace Heaters and applicable sections of UL307b Gas Burning Heating Appliances for Mobile Homes and recreational vehicles, CAN/CGA 2.17-M91 "Gas-Fired Appliances for use at High Altitudes".

FAN TYPE VENTED CIRCULATOR Blower Electrical Rating: 115V., 1.5 Amps, 60 Hz, 150 watts	Thermal Efficiency* 84% NG (blower on) 86% LP (blower on) * With Maximum horizontal length.
--	---

	<u>LP</u>	<u>NG</u>
Input Rate on "HI" (BTU/Hr)	40,000	40,000
Input Rate on "LO" (BTU/Hr)	32,000	27,000
Maximum Output (BTU/Hr)	34,400	34,400
Main Burner Orifice Front (DMS)**	#56	#47
Main Burner Orifice Rear (DMS)**	#53	#42
Minimum Inlet Pressure (Inches W.C.)	11"	4.5"
Maximum Inlet Pressure (Inches W.C.)	14"	7.0"
Manifold Pressure on "HI" (Inches W.C.)	10"	3.5"

**Equipped for installation in Canada for altitudes of 0 - 4500' (1370M); and in USA for altitudes of 0 - 2000' (610M). In USA for altitudes above 2000' the vent configuration, orifice, or combination of both may need to be changed. See Owner's Manual for information on making these changes.



1999 2000 2001 JAN FEB MAR MAY JUN JUL AUG SEP OCT NOV DEC

Location: Serial No. portion on lip below control panel. Lower portion behind access door on baseplate to right of control panel.

SAFETY LABEL



STANDARDS/CLEARANCES LABEL

**MODEL: REMINGTON QFP40
VENTED GAS FIREPLACE HEATER**

NOT FOR USE WITH SOLID FUEL - NOT FOR USE WITH AIR FILTERS

The "Remington QFP40" is factory equipped for natural gas (NG) and is field convertible to propane gas (LP), when equipped with the Conversion Kit #842-4470 available from an Aladdin Hearth Products dealer. This appliance uses a millivolt-type control system consisting of a gas control valve/regulator, a standing pilot burner assembly, a thermopile, a piezo ignitor, and the ON/OFF switch. THIS UNIT DOES NOT REQUIRE 110 VOLT POWER TO OPERATE. All exhaust gases must be vented outside the structure of the living area. Combustion air is drawn from outside the living area structure.

Install fireplace in accordance with all local codes, if any; if none, follow The National Fuel Gas Codes ANSI Z223.1-1992 and NFPA 54(88); or Canadian Installation Codes CAN/CGA-B149.

Manufactured or Mobile Home Installation This appliance is only for use with the type of gas indicated on the rating plate and may be installed in an aftermarket, permanently located, manufactured (mobile) home where not prohibited by local codes. Installations must conform with: USA: Manufactured Home Construction and Safety Standard, Title 24 CFR, Part 3280. CANADA: CSA Z240.4 and Gas-Equipped Recreational Vehicles and Mobile Housing.

WARNINGS:

This appliance should be inspected before use and at least annually by a qualified service person. More frequent cleaning may be required where excessive lint from material like carpeting and bedding is present. The control compartment, the burner compartment and all circulating air passageways of the appliance must be kept clean and clear at all times. Due to high temperatures, the appliance should be located out of traffic and away from furniture and draperies. This appliance must not be connected to a chimney flue servicing a separate solid fuel burning appliance. Children and adults should be alerted to the hazards of high surface temperature and should stay away to avoid flesh burns or clothing ignition. Young children should be carefully supervised at all times when they are in the same room as the appliance.

CAUTION: All safety screen or guard components removed for servicing, must be replaced prior to operating the appliance. Clothing or other flammable material should not be placed on or near the appliance. Risk of electrical shock. Switch the household breaker off or remove fuse before servicing unit. Use Simpson DURA-VENT direct vent system (Model GS) to vent this appliance to the exterior (direct discharge only without duct connection).

Minimum Clearances to Combustibles

<p>To Adjacent Wall:</p> <p>From glass edge 7 3/4"</p> <p>From side of Rectangular fascia 3"</p> <p>From side of Arched fascia 3"</p> <p>Back to enclosure (from stand-offs) 0"</p> <p>Top to enclosure (from stand-offs) 0"</p> <p>Sides to enclosure (from stand-offs)..... 0"</p> <p>Hearth Extension:</p> <p>Does not require hearth extension or non-combustible floor beneath appliance.</p>	<p>To Mantel:</p> <p>From top of glass edge 30 1/2"</p> <p>From top of Rectangular Facia 24"</p> <p>From top of Arched Facia 22 5/8"</p> <p>To maximum 1/2" top front facing:</p> <p>From top of glass edge 20 1/4"</p> <p>From Arched Facia 12 1/4"</p> <p>From Rectangular Facia 14"</p> <p>Flue Vent 1"</p> <p>* See Owner's Manual For Additional Mantel Clearances and Options</p>
--	---

SAFETY LABEL

WARNING!

Improper installation, adjustment, alteration, service or maintenance can cause injury or property damage. Refer to this manual for correct installation and operational procedures. For assistance or additional information consult a qualified installer, service agency, or the gas supplier.

WARNING!

Do not operate appliance with the glass front removed, cracked or broken. Replacement of the glass should be done by a licensed or qualified service person.

WARNING!

Operation of this appliance when not connected to a properly installed and maintained venting system or tempering with the blocked vent shutoff system can result in carbon monoxide (CO) poisoning and possible death.

Caution and Warning label located on chain behind access door to right of control panel.

CAUTION: HOT WHILE IN OPERATION. DO NOT TOUCH. KEEP CHILDREN, CLOTHING, FURNITURE, GASOLINE AND OTHER LIQUIDS HAVING FLAMMABLE VAPORS AWAY.

CAUTION: DO NOT OPERATE THE APPLIANCE WITH GLASS REMOVED, CRACKED OR BROKEN. REPLACEMENT OF THE GLASS SHOULD BE DONE BY A LICENSED OR QUALIFIED SERVICE PERSON.

**FOR USE WITH NATURAL GAS AND PROPANE (LP).
A CONVERSION KIT, AS SUPPLIED BY THE MANUFACTURER, SHALL BE USED TO CONVERT THIS ROOM HEATER TO THE ALTERNATE FUEL.**

WARNING: IMPROPER INSTALLATION ADJUSTMENT, ALTERATION, SERVICE OR MAINTENANCE CAN CAUSE INJURY OR PROPERTY DAMAGE. REFER TO THE OWNER'S INFORMATION MANUAL PROVIDED WITH THIS APPLIANCE. FOR ASSISTANCE OR ADDITIONAL INFORMATION CONSULT A QUALIFIED INSTALLER, SERVICE AGENCY OR THE GAS COMPANY.

Due to high temperatures, the appliance should be located out of traffic and away from furniture and draperies. Children and adults should be alerted to the hazards of high surface temperature and should stay away to avoid burns or clothing ignition. Young children should be carefully supervised when they are in the same room as the appliance. Clothing or other flammable material should not be placed on or near the appliance. The appliance area must be kept clear and free from combustible materials, gasoline and other flammable vapors and liquids.

SAFETY NOTICES

IF YOU SMELL GAS!

- **Do not light any appliance**
- **Extinguish any open flame**
- **Do not touch any electrical switch or plug or unplug anything**
- **Open windows and vacate building**
- **Call gas supplier from neighbor's house, if not reached, call fire department**

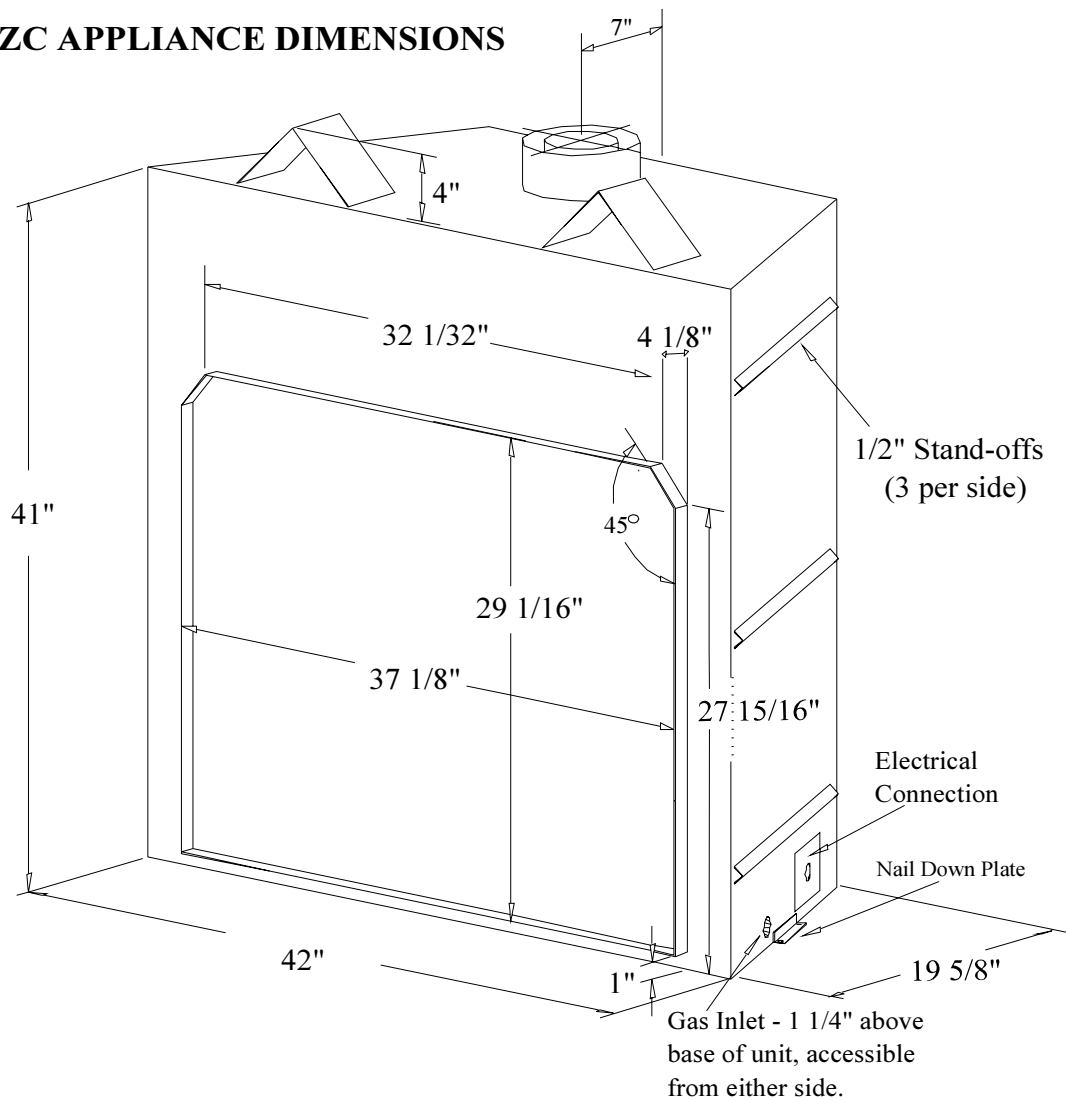
- ✓ Installation must be done by a qualified installer
- ✓ Strict adherence to the instructions in this manual must be followed. Improper installation will void the warranty and safety listing.
- ✓ This appliance is manufactured to operate on natural gas (NG). It is field convertible to propane (LP) with the manufacturers' conversion kit. Burning incorrect fuel voids the warranty and safety listing and may cause an extreme safety hazard.
- ✓ Contact local building officials to obtain a permit and information on installation restrictions or requirements in your locale. It is also important to notify your homeowner's insurance company of the installation of this appliance as well.
- ✓ Control compartments, screens, and circulating air passageways of the appliance must be kept clean and free of obstructions.
- ✓ Do not store or use gasoline or other flammable liquids in the vicinity of the appliance.
- ✓ Keep all furniture or other combustible items at least 36" away from the front of the heater.
- ✓ If the flame becomes sooty, dark orange in color, or extremely tall, DO NOT operate the appliance. Contact your dealer and arrange for servicing immediately.
- ✓ DO NOT operate the appliance if it is not operating properly in any manner. Contact your dealer for assistance.
- ✓ DO NOT operate the appliance if any portion was submerged in water or if any corrosion occurs.
- ✓ Do not place clothing or other flammable items on or near the appliance at any time. Due to thermostatic control, the possibility exists for the appliance to turn on, igniting any items on or near it.
- ✓ Open viewing glass for servicing only.
- ✓ Replace any safety screen or guards removed for servicing prior to operating the appliance.
- ✓ Operate the appliance in accordance with the instructions contained in this manual.
- ✓ If the main burners do not start correctly, turn the gas off at the gas control valve and contact your dealer for service.
- ✓ This unit is not for use with solid fuel. DO NOT place anything inside the firebox (other than the included fiber logs, embers and nuggets, or the optional brick set).
- ✓ If the fiber logs become damaged refer to Parts and Accessories page of this manual for replacement.
- ✓ Face surfaces can become extremely hot during operation. Instruct your family and guests of this danger and supervise young children when they are in the same room as the heater.
- ✓ Instruct everyone in the house how to shut the gas off to the appliance and also at the main gas shut-off valve. The gas main shut-off valve is usually next to the gas meter or propane tank and requires a wrench to shut off.
- ✓ Use the built-in piezo igniter to light the appliance. Do not use matches or any other external device.
- ✓ DO NOT remove, replace, modify or substitute any part of the appliance unless instructions are given in this manual. All other work must be done by a trained technician.
- ✓ Allow the appliance to cool before carrying out any maintenance or cleaning.
- ✓ The pilot flame must contact the thermopile and thermocouple. If it does not, turn the gas control valve to "OFF" and call your Dealer.
- ✓ DO NOT throw this manual away. Important operating and maintenance instructions are included.

HEATING SPECIFICATIONS

	Natural Gas	Propane
BTU Input	27,000 - 40,000	32,000 - 40,000
BTU Output on "HI" (with Fan - without Fan)	34,400	34,400
Efficiency** (with Fan)	84%	86%

**Efficiency rating is the thermal efficiency rating of the product determined under continuous operation, and independent of an installed system at maximum horizontal venting (30').

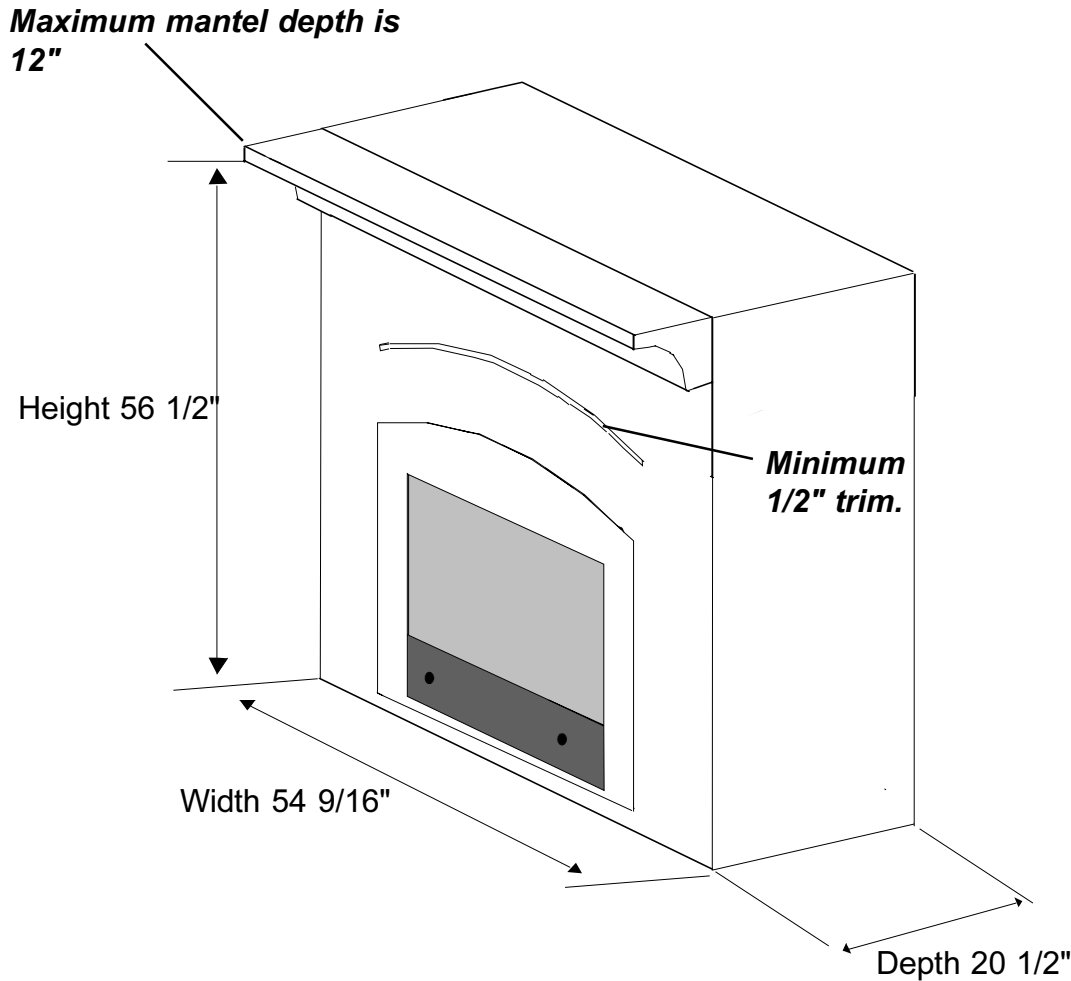
ZC APPLIANCE DIMENSIONS



SPECIFICATIONS

MINIMUM CABINET DIMENSIONS

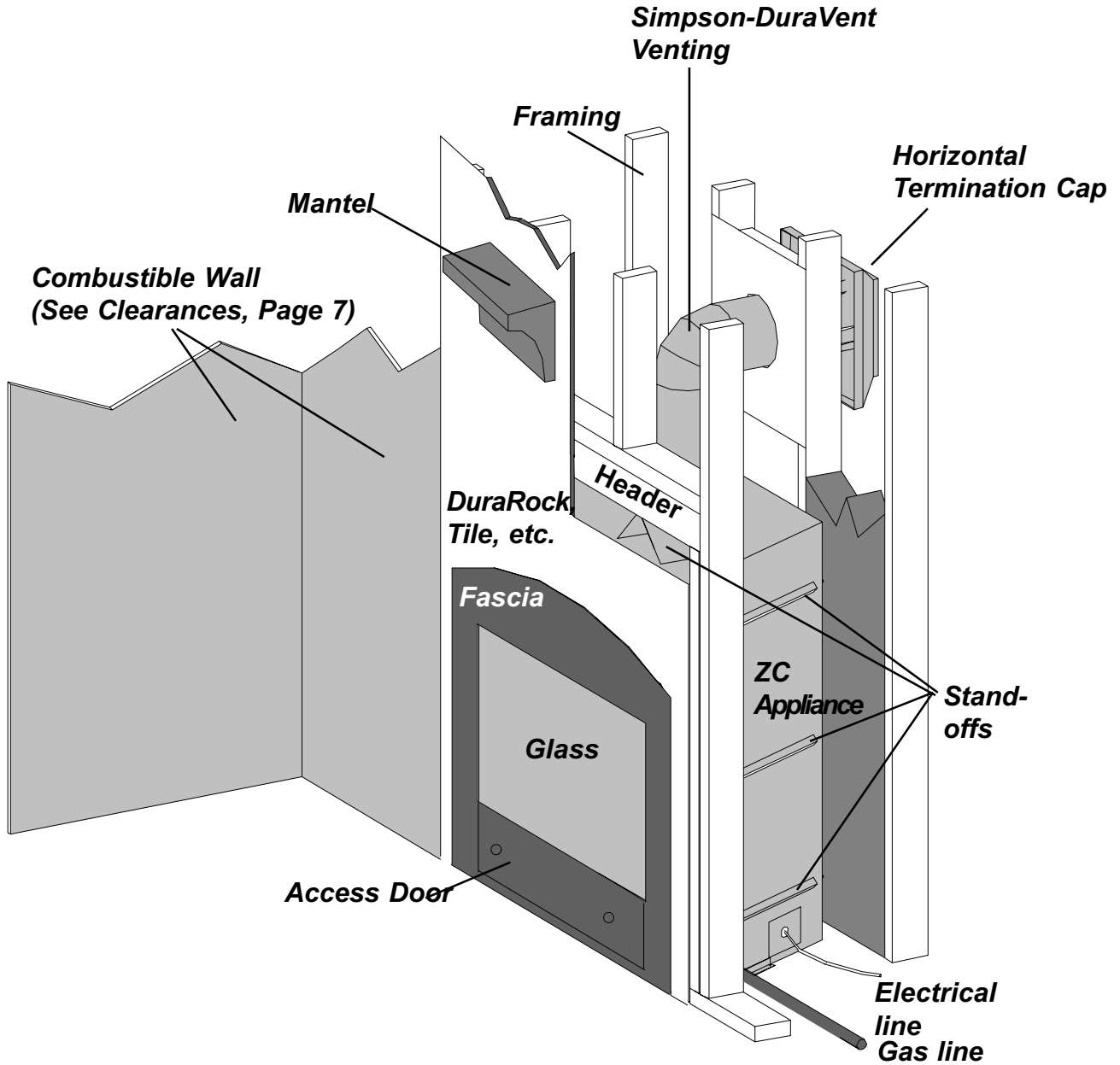
The following minimum cabinet dimensions are the minimal allowances for clearance to combustibles, as referenced on page 7 of this manual. See page 21 for additional mantel information.



SPECIFICATIONS

INSTALLATION TERMINOLOGY

PREPARATION



PREPARATION

- ✓ Failure to follow all of the required installation procedures may result in property damage, bodily injury or even death.
- ✓ This appliance must be installed in accordance with all local codes, if any; if not, follow ANSI Z223.1-1992 and NFPA 54(88).
- ✓ Manufactured Home or Mobile Home installation may occur only after the home is site located and must conform to: USA, Manufactured Home Construction and Safety Standard, Title 24 CFR, Part 3280; Canada, CSA Z240.4 and Gas-Equipped Recreational Vehicles and Mobile Housing standards.
- ✓ The Remington is manufactured to operate on Natural Gas (NG), it is convertible to Liquid Propane Gas (LP) when the manufacturer's conversion kit, part #842-4470 is used.
- ✓ All exhaust gases must be vented outside the structure of the living-area. Combustion air is drawn from outside the living-area structure.
- ✓ Notify your insurance company prior to connecting gas to this fireplace.
- ✓ Installation requirements diagrammed and explained in this manual are grouped into segments for ease of procedure. While these requirements must be met fully, the order of installation may be subject to the procedure best suited for your specific placement of the fireplace.

AN OVERVIEW: INSTALLATION TO OPERATION

1. Remove door by releasing four spring clips (2 upper and 2 lower). See Pg. 53.
2. Remove logset, lava rock, embers and packaging materials from firebox.
3. Familiarize yourself with this manual.
4. Finalize your installation decisions and requirements.
5. Convert to LP gas if applicable to your installation. (Kit not included.) See Pgs. 14-15.
6. Set unit in place and install venting per your installation requirements. Secure unit to floor using naildown plates.
7. Connect the gas line. See Pg. 46.
8. Complete electrical connections. See Pg. 47.
9. Run thermostat lines to TH & TPTH connectors on valve, if applicable. See Pg. 47.
10. Leak test gas line to manual shutoff valve. See Pg. 54.
11. Install brick (optional accessory), lava rock, embers and logset. See Pg. 48.
12. Turn on manual shutoff valve; leak test. See Pg. 46.
13. Light pilot with door off and smell for gas (see Lighting Instructions). See Pg. 55.
14. Re-attach door with latches. See Pg. 53.
15. Adjust gas control knob to "ON" (again, follow Lighting Instructions).
16. Check flames. See Pg. 55.
17. Adjust damper position, if applicable. See Pg. 56.
18. Attach fascia. **NOTE:** If using Gold or Brushed Nickel Fascia - Clean thoroughly with glass cleaner and non-abrasive towel **prior** to lighting unit. See Pg. 53.
19. Set Thermostat or turn control panel switch to the "On" position. See Pg. 58.

LP CONVERSION INSTRUCTIONS

Part # 842-4470 is required for this procedure.

NOTE: If converting this unit to propane, do so at this point of installation.

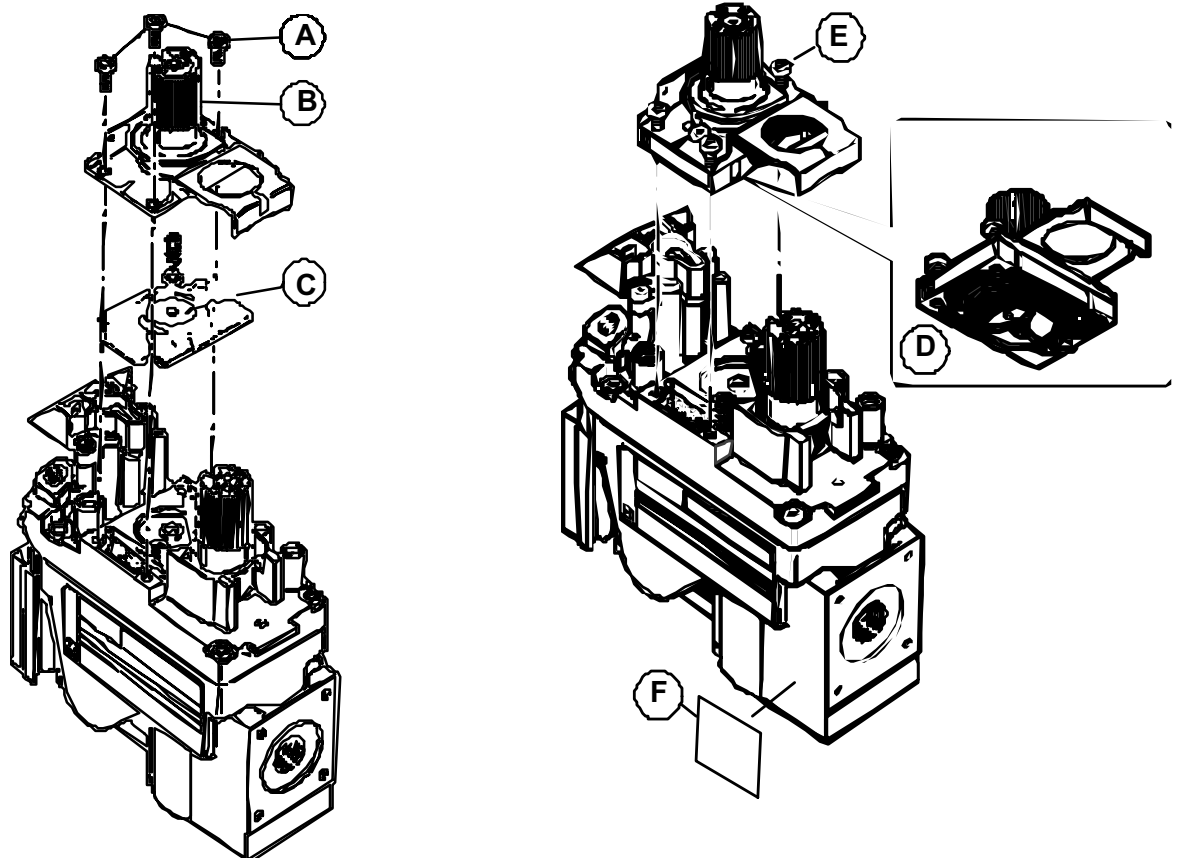
WARNING !

The installation of this conversion kit must only be undertaken by a qualified and certified gas appliance installer.

CAUTION: DISCONNECT ANY ELECTRICAL CORDS AND TURN OFF GAS SUPPLY TO UNIT BEFORE PROCEEDING.

Valve Regulator Tower

1. Turn control knob to the OFF position and shut off the gas supply to the valve.
2. Using a Torx TH20, or slotted screwdriver, remove the three pressure regulator mounting screws (A), pressure regulator tower (B), and diaphragm (C). (You may wish to retain these items for converting back to original gas if necessary.)
3. Insure that the rubber gasket (D) is properly positioned and install the new HI/LO pressure regulator assembly to the valve using the new screws (E) supplied with the kit. Tighten screws securely. (Reference torque = 25 in/lb)
4. Install the enclosed identification label (F) to the valve body where it can be seen.



CONVERSION INSTRUCTIONS, (CONT.)

Burner Orifice Replacement

5. If logset is installed, remove logs and embers at this time.
6. Use a Phillips screwdriver to remove pilot lighting channel and front log rack.
7. Remove the two Phillips head screws that secure the front and rear burner pans in place.
8. Remove the burner pans by sliding to the right and lifting out. (Shutters may need to be adjusted 'closed' to make this easier).
9. Slide shutters out of the way. Using a 3/8" wrench or socket, remove the orifice inserts and replace with proper orifices for the specified gas. See below.
10. Reinstall burner pans and adjust shutters to 'open' position.

NOTE: The right phillips screw holding front and rear burners in place should be left slightly loose to allow for expansion.

CAUTION: The correct orifice placement is critical for proper appliance performance .

	<u>Natural Gas</u>	<u>Propane</u>
Main Burner Orifice Front (DMS)	#47	#56
Main Burner Orifice Rear (DMS)	#42	#53

Note: Logs and burners will be reinstalled *following* pilot orifice replacement.

Pilot Orifice Replacement:

13. Lift pilot hood and remove. See Fig. A
14. Remove existing pilot orifice with a 5/32" allen wrench. See Fig. B
15. Replace pilot orifice with the correct orifice for your gas type as follows:
LP = .016 NG = .025

FIG. A



FIG. B

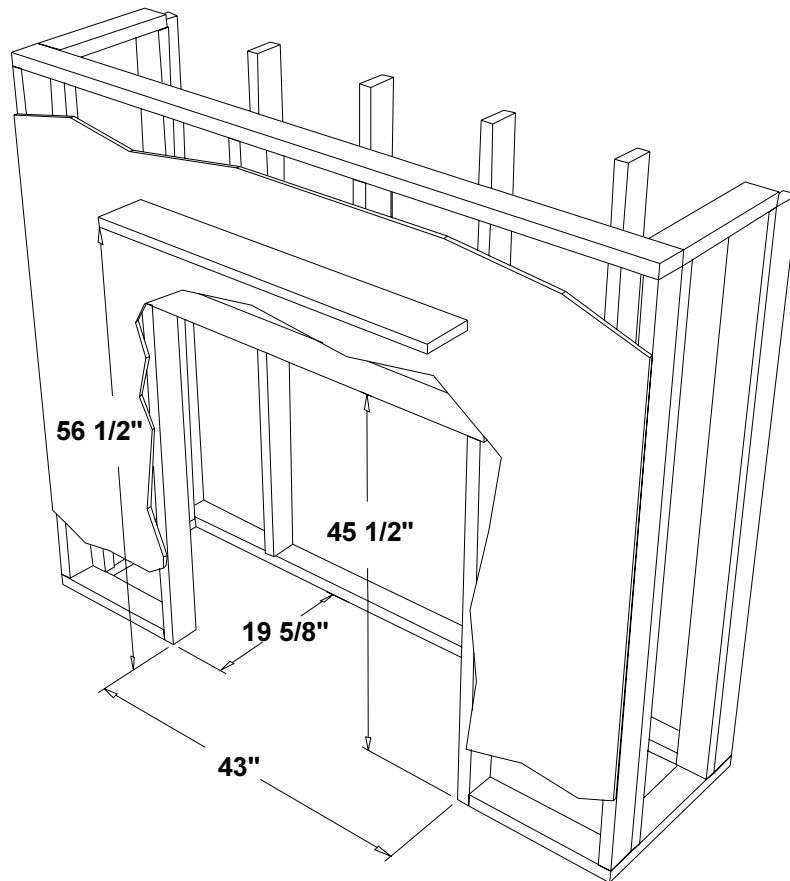


11. Replace pilot hood: Ensure that the notches are aligned and snap hood into place.
12. Reinstall Log Rack, pilot lighting channel, burners, lava rock and logs.
13. Install LP conversion label inside the appliance beneath the firebox, to the left of the control panel.

MINIMUM FRAMING DIMENSIONS

- ❖ The 1/2" stand-offs on the back and sides and 4" stand-offs on the top of the fireplace separate the fireplace from the framing members (see page 12, Installation Terminology). These stand-offs may contact the framing members but **no** material may be placed between the stand-offs and the framing.
- ❖ Installation requires a level surface capable of supporting the weight of the fireplace (240 lbs.) and vent.
- ❖ Fireplace must be placed directly on wood or non-combustible surface (not on linoleum or carpet).
- ❖ **HOT WHILE IN OPERATION!** Installation location must be out of traffic and away from furniture and draperies.

NOTE: Framing dimensions shown below reflect an 1/4" overage on top and 1/8" overage to each side.

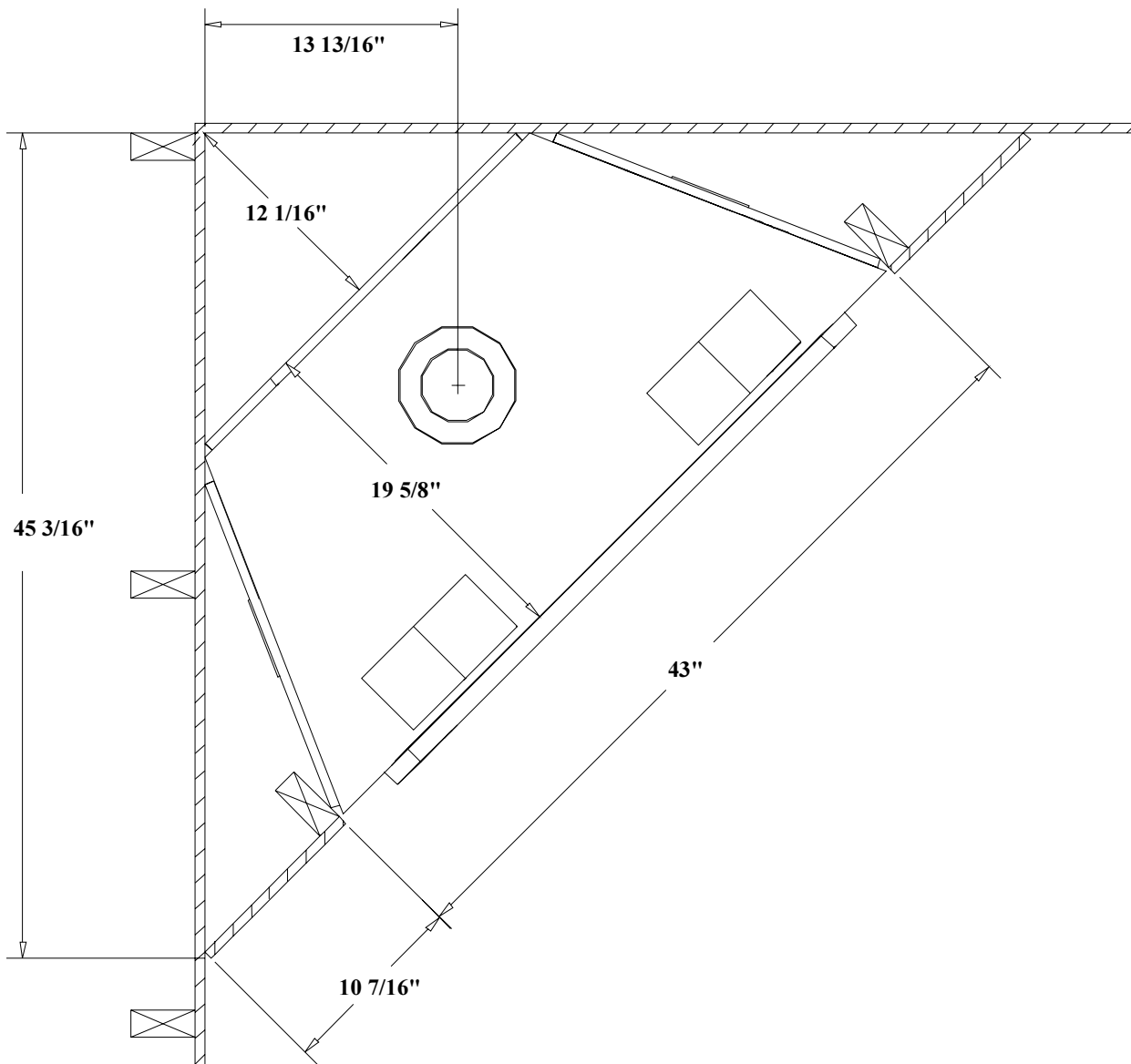


Route electrical line to the right rear of fireplace.

Route Gas Line 6 7/16" behind the framing opening (on either side of can). For hardpipe connection, allow 1 1/4" above the base of fireplace.

CORNER INSTALLATIONS

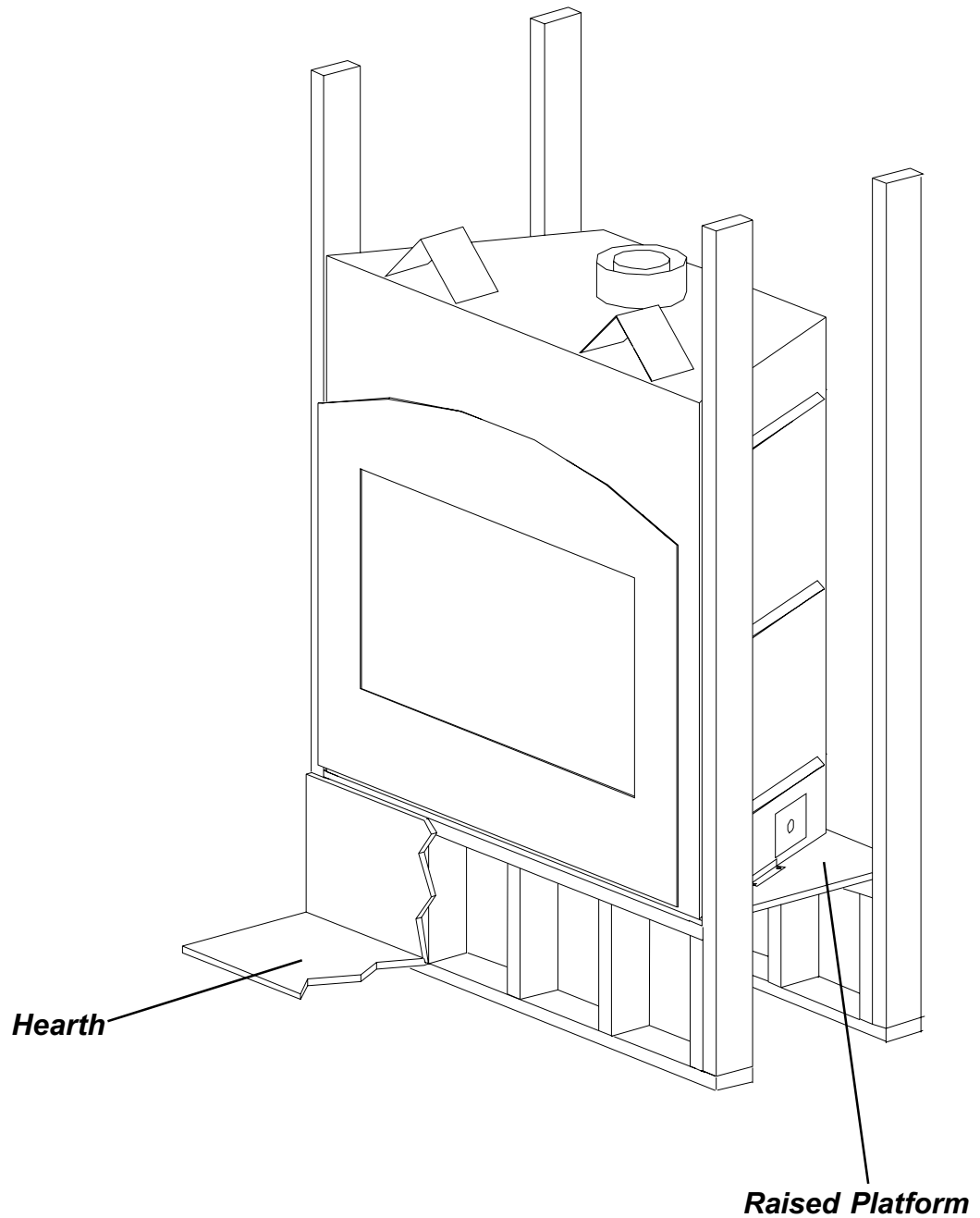
The usual 45° installation uses the minimum framing dimensions shown in the illustration below. **PLEASE NOTE: All clearances as referenced on page 7 still apply.**



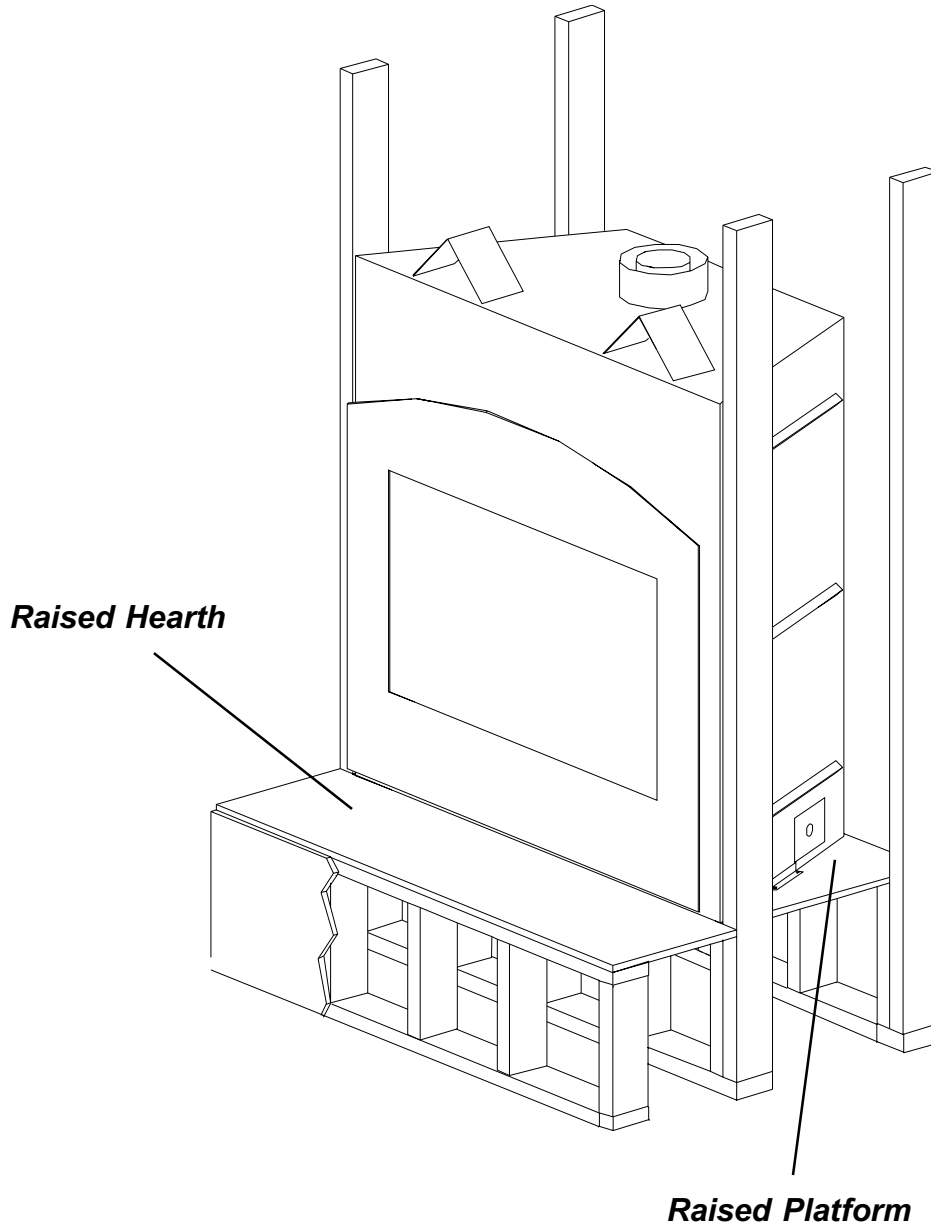
INSTALLATION

RAISED FIREPLACE

The fireplace and its hearth, if desired, may be placed on a platform designed to support the fireplace weight (240lbs.) and venting.



RAISED FIREPLACE WITH RAISED HEARTH



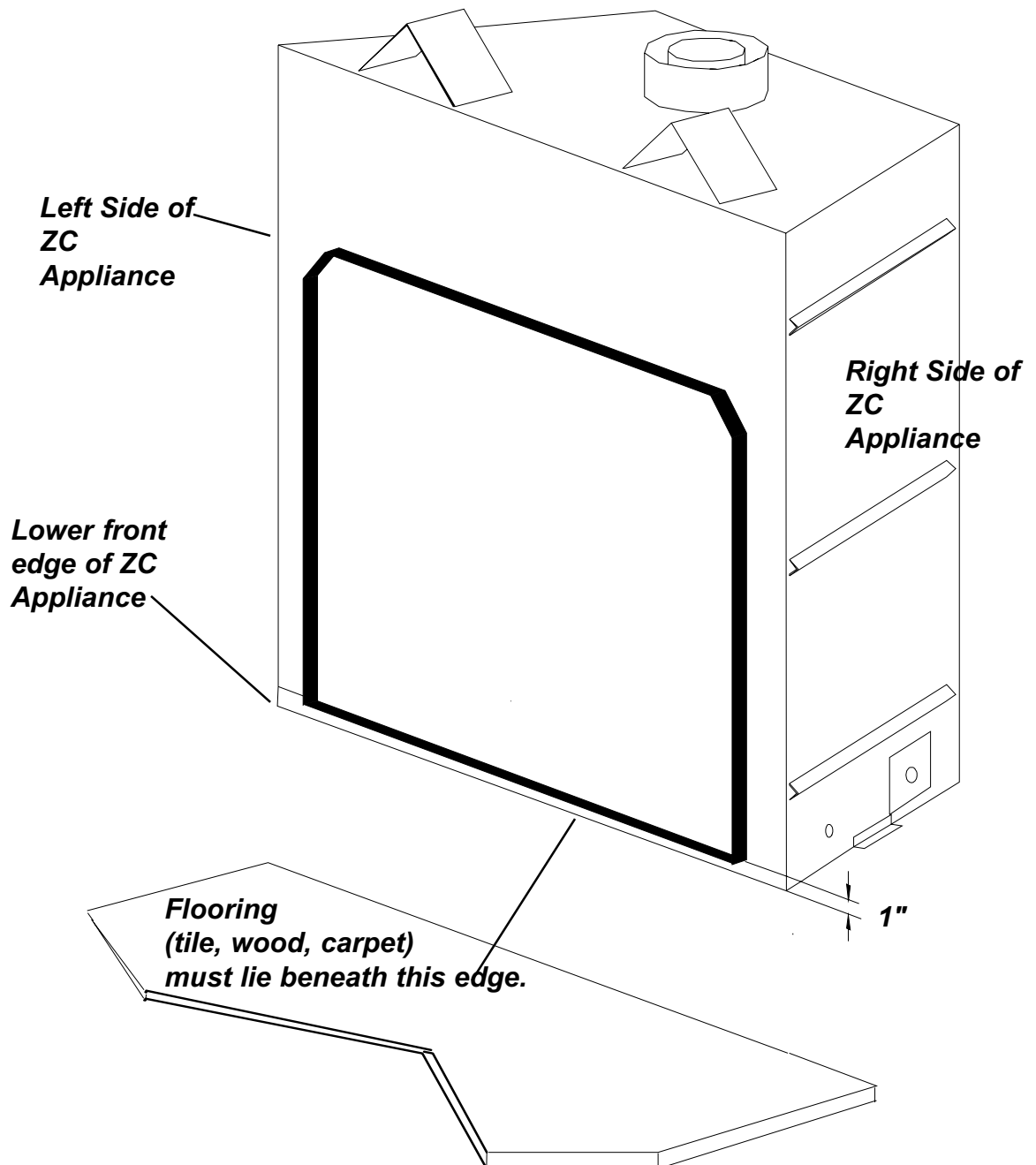
INSTALLATION

HEARTH REQUIREMENTS

No clearances to combustible flooring are required for installation of the Remington QFP40, as referenced in the Clearances to Combustibles on page 7 of this manual.

NOTE: Ensure the depth of your flooring material does not exceed the 1" height at bottom front flange of the ZC Appliance, illustrated below. Clearance of this area is necessary in order to allow freedom of movement of the control panel access door when installed later.

INSTALLATION



MANTEL REQUIREMENTS

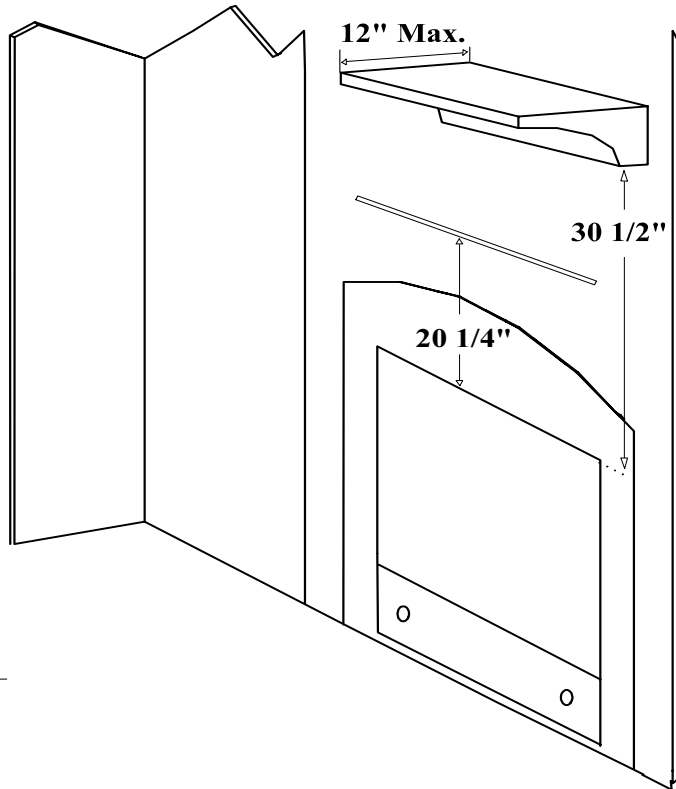
COMBUSTIBLE MANTELS

As referenced on page 7, Clearance to Combustible Materials:

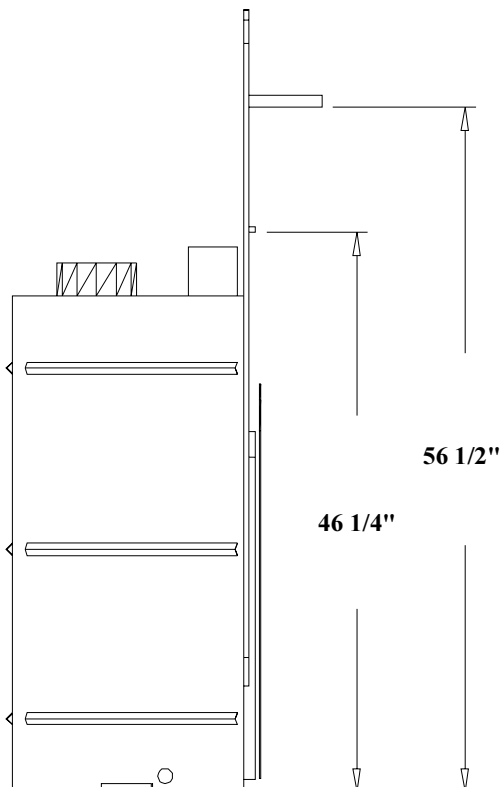
The allowable height from the top of the glass to the lower edge of a maximum mantel depth of 12", is 30 1/2".

The allowable height from the top of the glass to a combustible trim width of 1/2" or less is 20 1/4".

MANTEL CLEARANCES FROM TOP OF GLASS TO LOWER EDGE OF MANTEL OR TRIM.



MANTEL CLEARANCES FROM BOTTOM OF ZC APPLIANCE TO LOWER EDGE OF MANTEL OR TRIM.



INSTALLATION

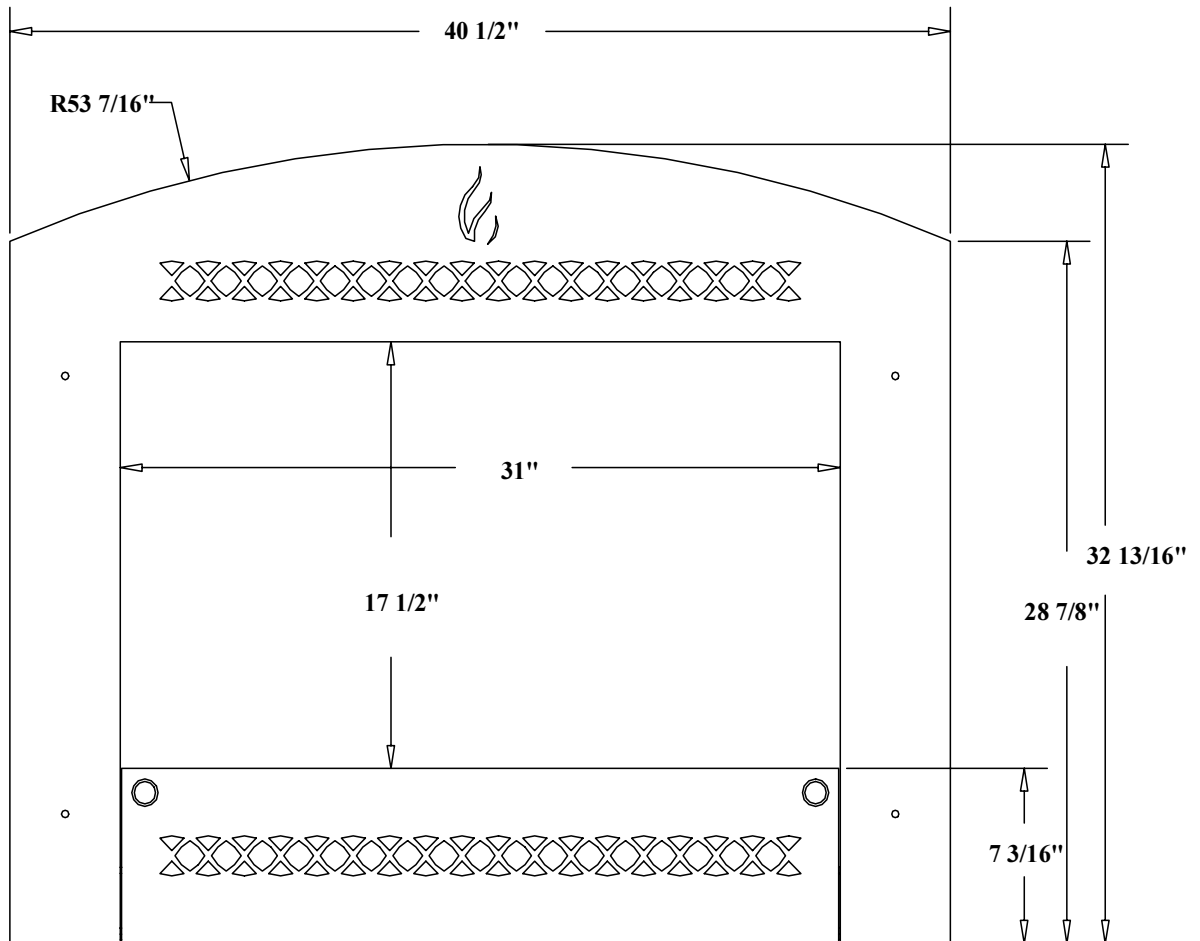
FASCIA DIMENSIONS

ARCHED

Part #841-0710 Gold

Part #841-0750 Brushed Nickel

Part #841-0720 Black



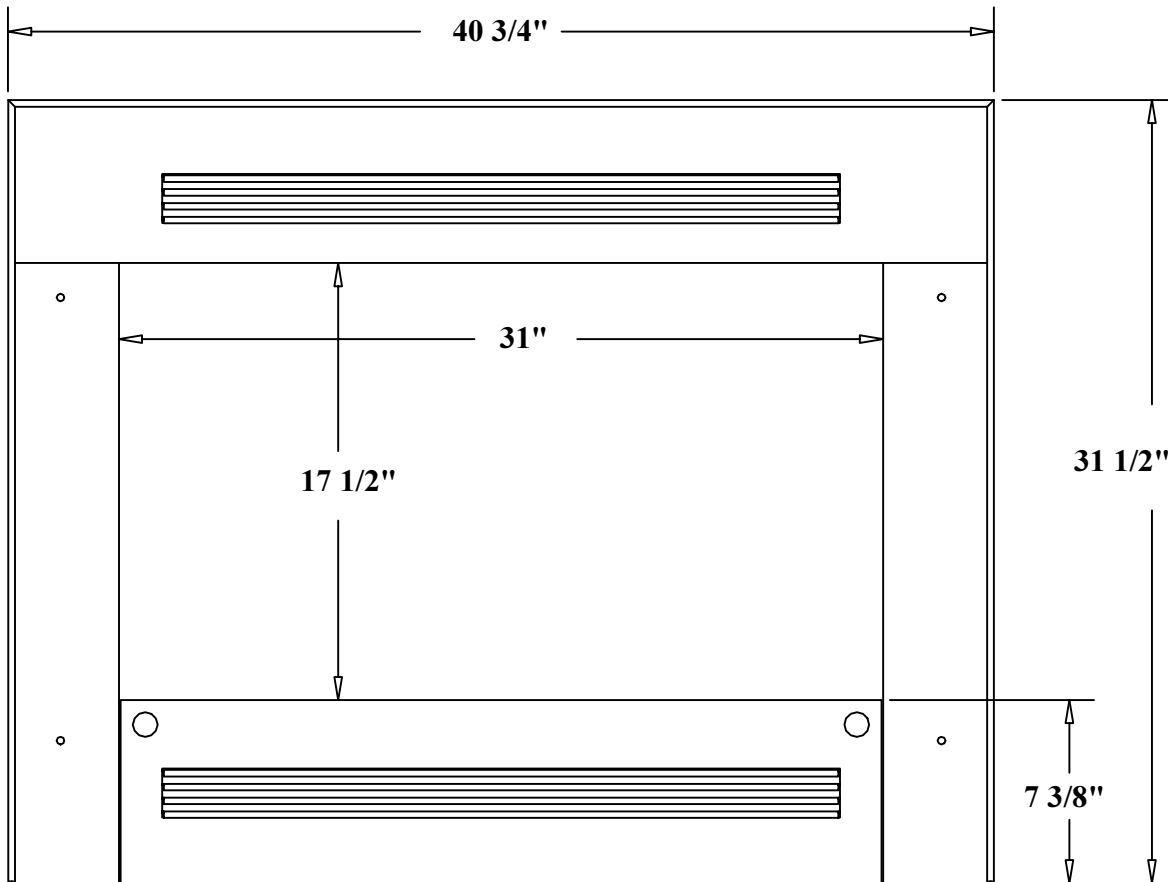
ACID WASH ALERT!

An acid wash (muriatic acid) is commonly used to remove excess mortar, primarily on brick faces. Prior to installation of the fascia, determine if the masonry surrounding your fireplace that has been treated with an acid wash has been properly neutralized with an ammonia solution. If not, the gold or nickel fascia may develop a permanent tarnish when the acid evaporates over time. Contact your masonry builder if uncertain if your facing has been properly neutralized.

INSTALLATION

FASCIA DIMENSIONS

RECTANGULAR
Part #841-0730 Black

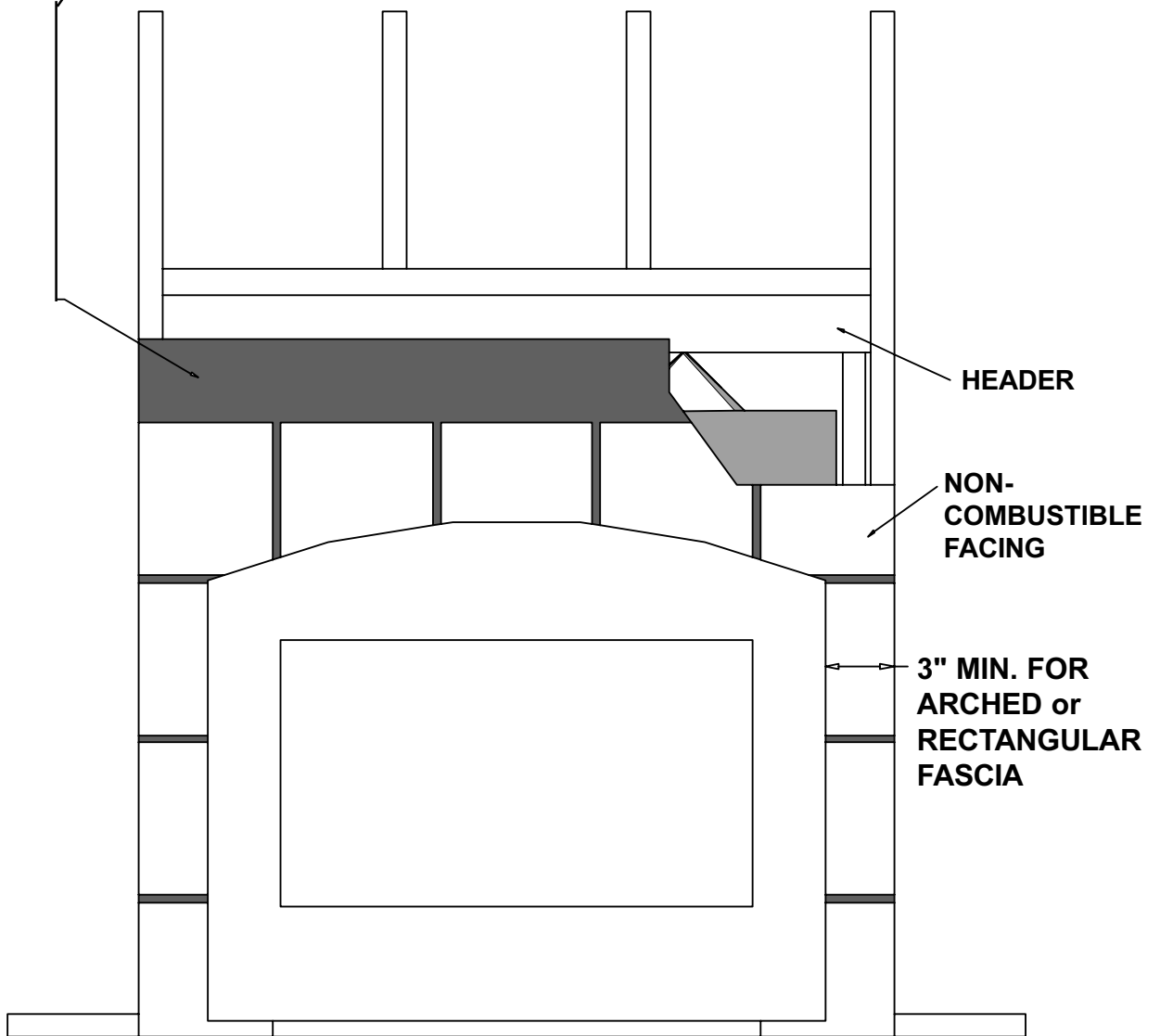


INSTALLATION

FACING REQUIREMENTS

Durarock or other non-combustible material must extend from header to floor and to framing on either side.

INSTALLATION

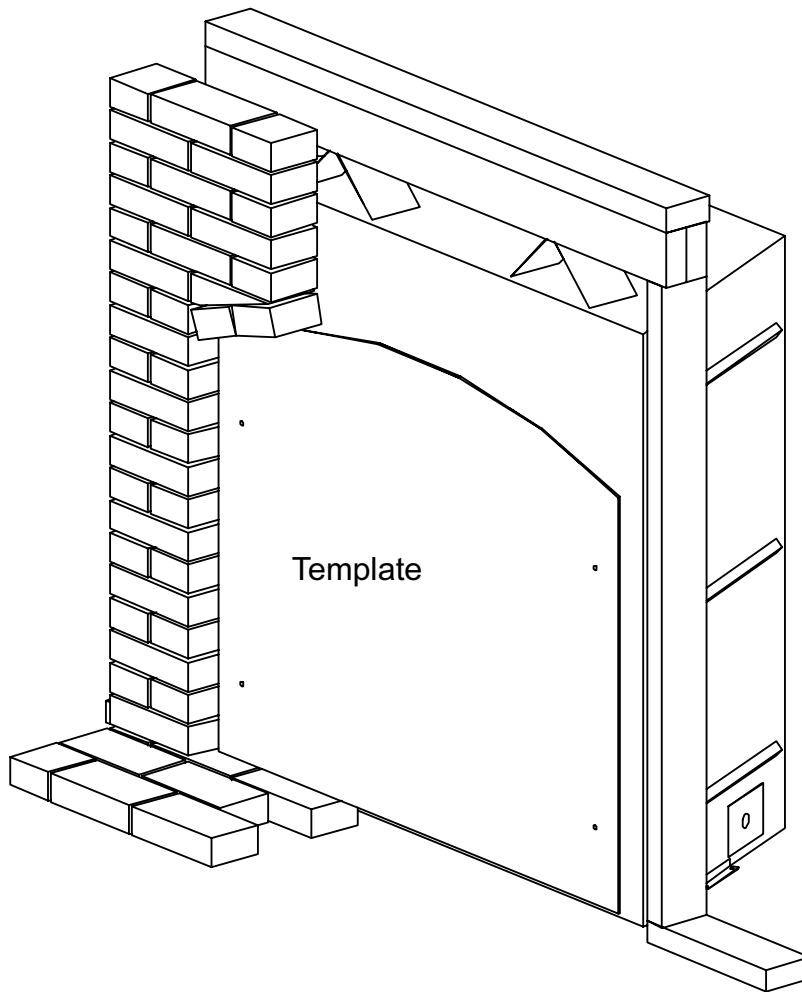


NOTE: Tile may be tucked beneath the fascia on sides and top, but not on the bottom.

FACING OVER 1" (25mm) THICK

Facing material greater than 1" (25mm) thick, such as brick, river rock, etc., will require installation around the perimeter of the face. If your unit did not ship with a template for this purpose, contact your dealer for an Arched Fascia Template, Part #842-3770.

Note: Template is 1/4" oversized to allow for fit.



INSTALLATION

GENERAL VENTING INSTRUCTIONS

PLEASE NOTE: In order to comply with applicable codes and product warranties, only Simpson Dura-Vent venting components may be used.

DO NOT USE FIELD-FABRICATED VENTING COMPONENTS.

The Quadra-Fire Remington Fireplace QFP40 is approved to be vented either horizontally, through the side wall, or vertically, through the roof. You may vent through a Class A or masonry chimney if a Simpson Dura-Vent adapter is used (**for USA installations only**). Only Simpson Dura-Vent components labeled and listed on page 27 may be used.

This fireplace is a direct vent heater. All combustion air must come directly from the outside of the building. The vent pipe for this unit consists of an inner and an outer pipe. The inner pipe carries the stove exhaust out of the system, and the outer pipe brings fresh combustion air into the stove.

A wall thimble is optional when the venting passes through a wall. A support box or firestop is required when the venting passes through a ceiling. Roof flashing and a storm collar are required when venting passes through the roof. Follow instructions provided with the vent for installation of these items.

IMPORTANT

Read all these instructions carefully before starting the installation. Failure to follow instructions may create a fire or other safety hazard, and will void the warranty. Be sure to follow these installation instructions for venting and clearance to combustible requirements, which may vary from one installation to another. **Do not extend the venting system in excess of the distance prescribed in these manufacturer's installation instructions. This gas appliance must not be connected to a chimney flue serving a separate solid-fuel burning appliance.**

INSTALLATION PRECAUTIONS

The Quadra-Fire Remington QFP40 Fireplace is an engineered product that has been designed and tested. The warranty will be voided, and serious fire, health, or other safety hazards may result from any of the following actions: Installation of any damaged venting component, unauthorized modification of the venting system, installation of any component part not approved by Aladdin Hearth Products, or installation other than as instructed by these instructions. Consult your local building codes before beginning this installation.

WARNING: Always maintain the required clearances (air space) to nearby combustibles to avoid creating a fire hazard. Do not fill air space with insulation. Minimum clearance between vent pipes and combustible surfaces is 2" (50mm). Be sure to check the vent termination clearance requirements from decks, windows, soffits, gas regulators, air supply inlets and public walkways, as specified on page 31 of these installation instructions and local building codes.

The gas fireplace and vent system must be vented directly to the outside of the building, and never be attached to a chimney serving a separate solid fuel or gas-burning appliance. This direct vent gas fireplace must use its own separate vent system. Common vent systems are prohibited.

SAFETY PRECAUTIONS FOR THE INSTALLER

Wear gloves and safety glasses for protection when installing this stove. Exercise extreme caution when using ladders or on rooftops around power lines. Be aware of electrical wiring locations in walls and ceilings.

SIMPSON DURA-VENT PARTS LIST

Simpson Dura-Vent offers a complete line of component parts for installation in both horizontal and vertical applications. Many items are offered in decorative black, as well as a galvanized finish. The galvanized pipe and fittings are used for concealed locations such as attics, or spaces where corrosion is a factor, such as above the roofline. Decorative brass and chrome trim kits are available for both wall thimbles and ceiling support boxes. Snorkel terminations are available for applications which may require a vertical rise on the building exterior. The following components have been approved for use with the Quadra-Fire Remington QFP40 Fireplace.

- 705C Flashing (masonry chimney)
- 902 48" Pipe Length
- 902B 48" Pipe Length, Black
- 903 36" Pipe Length
- 903B 36" Pipe Length, Black
- 904 24" Pipe Length
- 904B 24" Pipe Length, Black
- 906 12" Pipe Length
- 906B 12" Pipe Length, Black
- 907B 9" Pipe Length, Black
- 908B 6" Pipe Length, Black
- 909B Retro Connector
- 911B 11" - 14 5/8" Pipe, Adjustable, Black
- 940 Round Support Box/Wall Thimble
- 941 Cathedral Ceiling Support Box
- 943 Flashing, 0/12 to 6/12 Roof Pitch
- 943S Flashing, 7/12 to 12/12 Roof Pitch
- 945 45° Elbow
- 945B 45° Elbow, Black
- 950 Vinyl Siding Standoff
- 953 Storm Collar
- 963 Ceiling Firestop
- 981 Snorkel Termination (36")
- 982 Snorkel Termination (14")
- 985 High Wind Horizontal Termination Cap
- 985K Top Adapter
- 986K Top Adapter
- 987K Top Adapter
- 988 Wall Strap
- 990 90° Elbow
- 990B 90° Elbow, Black
- 991 High Wind Vertical Termination Cap

The following high wind horizontal termination cap may be obtained from your local dealer:

HHW2 Aladdin High Wind Horizontal Termination Cap

VENTING

VENTING INSTALLATION OPTIONS & GUIDELINES

There are four types of direct vent system installations approved for use with the REMINGTON QFP40. It is very important to maintain a balance between the combustion air intake and the flue gas exhaust venting system. The types of installation are:

Horizontal Termination (Figure 1)

Vertical Termination (Figure 2)

Into a Class A Metal Chimney (Figure 3)*

Into a Masonry Chimney (Figure 4)*

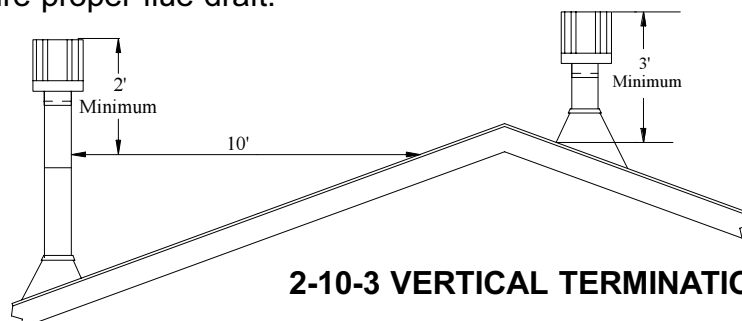
***USA installations only**

Note: Certain limitations as to vent and vertical termination configuration apply, and must be strictly adhered to. Read this manual carefully.

When planning your installation, it will be necessary to select the proper length of vent pipe for your particular requirements. The vent graph on page 32 will show the relationship between vertical and horizontal side wall venting, and will help you to determine the various vent lengths permitted. It is also important to note the wall thickness. Select the amount of vertical rise desired for “vertical-to-horizontal” type installations. To determine the length of your pipe required for vertical installations, measure the distance from the application flue outlet to the ceiling, the ceiling thickness, the vertical rise in an attic or second story, and allow for sufficient vent height above the roofline. For two-story applications, fire stops are required at each floor level. If an offset is needed in the attic, additional pipe and elbows will be required.

When installing this appliance into an existing masonry chimney, it is important to carefully measure the length of flex needed to reach from the appliance outlet to the termination cap. If the flex length is too short, a flex coupler will be needed to attach an additional length of flex liner to make up the difference. If the flex length is too long, the liner could sag below the appliance outlet, which could result in a potential fire hazard.

A masonry chimney or a factory-built chimney must be the required height above the roof and any other nearby obstructions. The chimney must be at least three feet higher than the highest point where it passes through the roof and at least two feet higher than the highest part of the roof or structure that is within ten feet of the chimney, measured horizontally. See 2-10-3 diagram below. These are safety requirements and are not meant to assure proper flue draft.



2-10-3 VERTICAL TERMINATION RULE

TERMINATION CAP REQUIREMENTS:

ON HORIZONTAL TERMINATIONS USE ONLY DURAVENT PART # 985, OR ALADDIN HEARTH PRODUCTS PART #HHW2

VERTICAL TERMINATIONS USE ONLY DURAVENT PART #991.

FIG. 1 HORIZONTAL TERMINATION

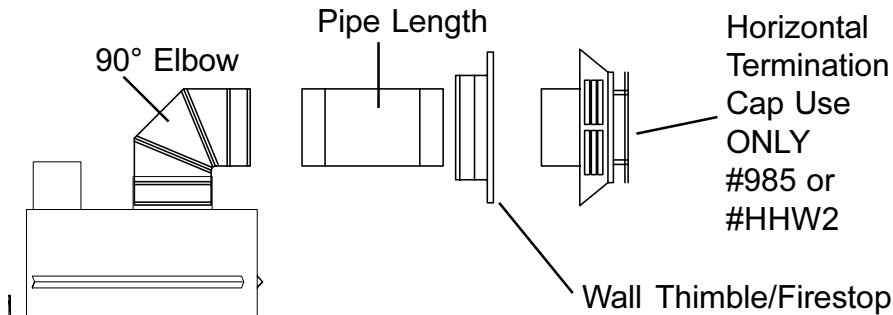
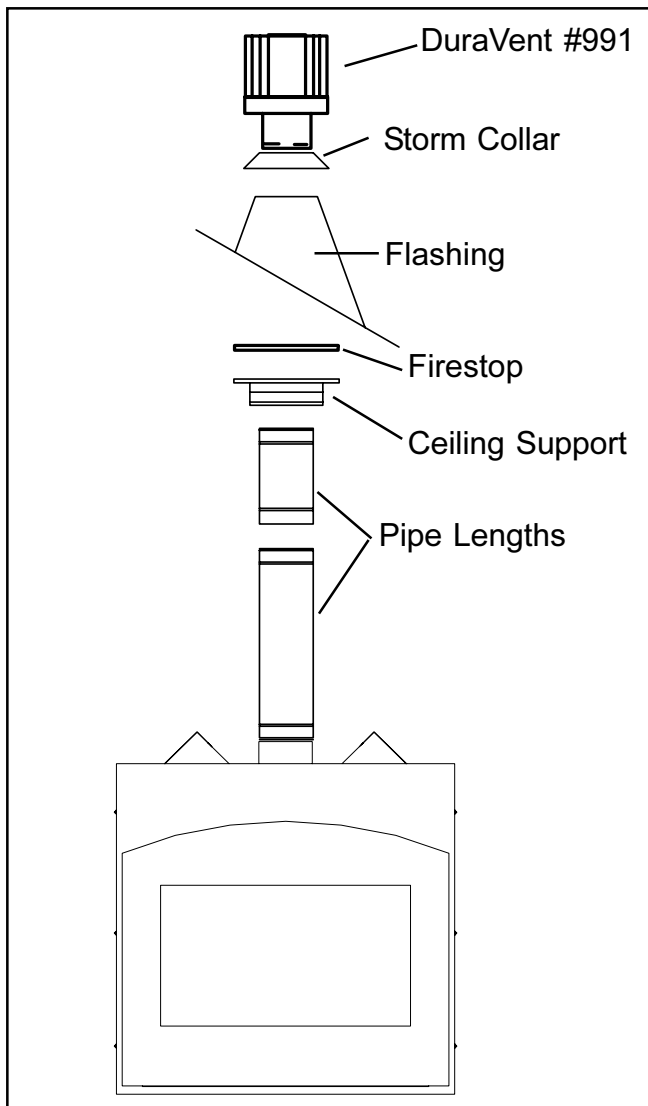


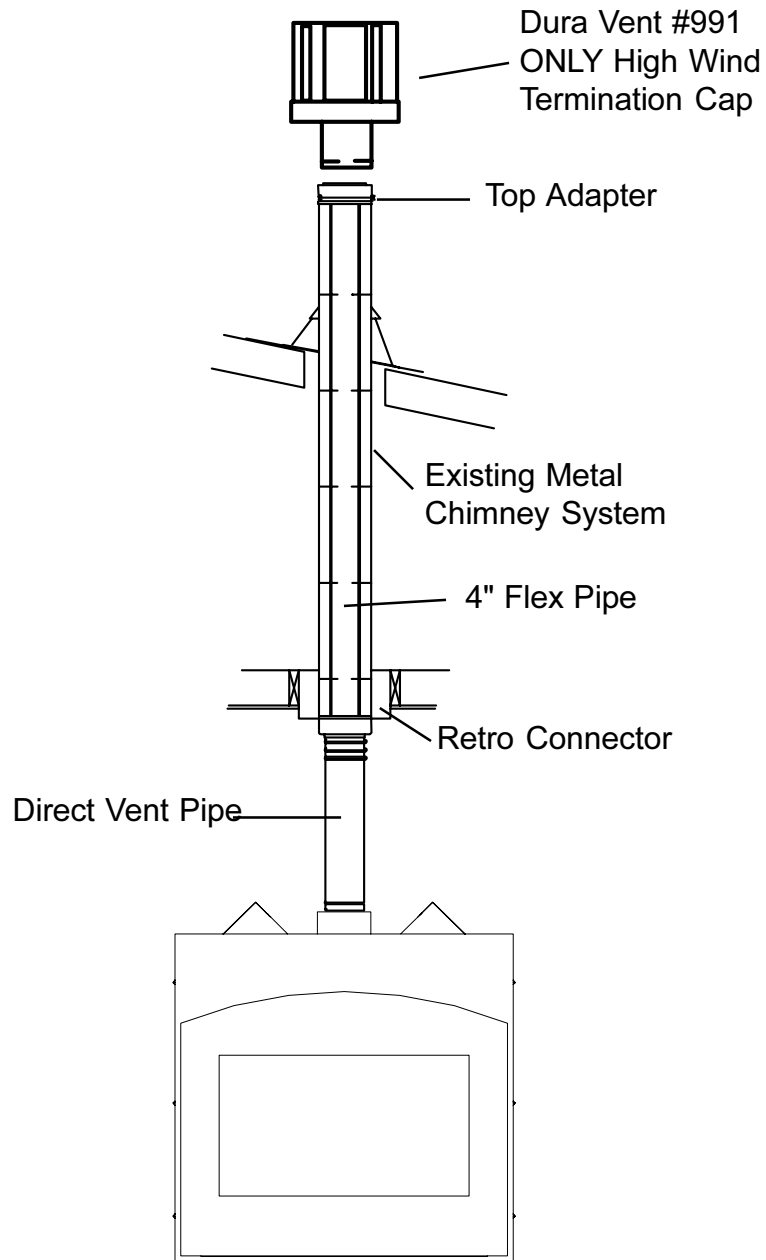
FIG. 2 VERTICAL TERMINATION



VENTING

VENTING INSTALLATION, CONT.

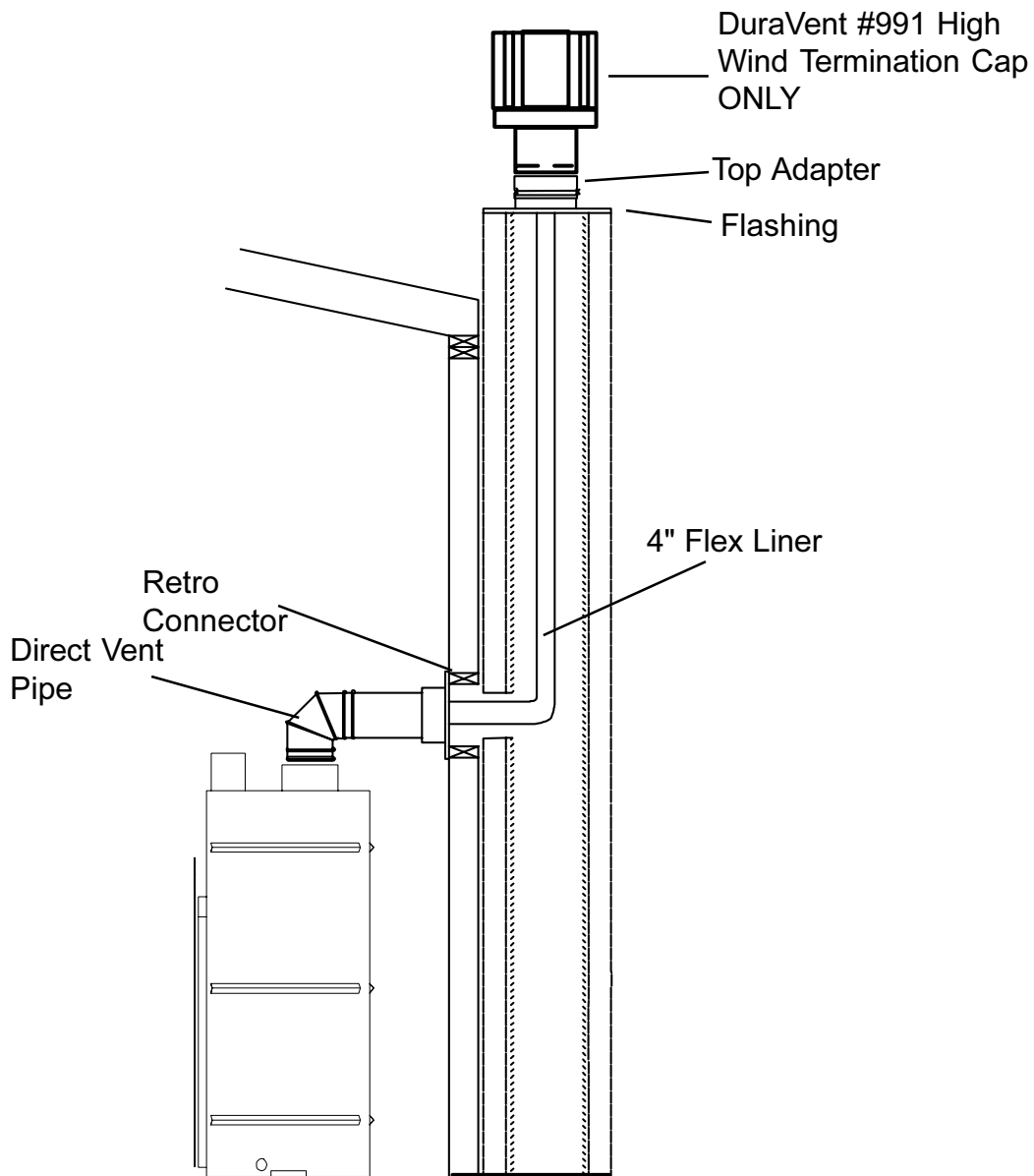
**FIG. 3 INSTALLATION INTO A CLASS A METAL CHIMNEY
(USA ONLY)**



VENTING

VENTING INSTALLATION, CONT.

FIG. 4 INSTALLATION INTO A MASONRY CHIMNEY (USA ONLY)



VENTING

HOW TO USE VENT GRAPH

1. Measure the distance from the top of stove to the center of the 90° elbow. On the graph below, draw a horizontal line from that measurement on the vertical axis across until it intersects with the slanted line.
2. From the point of this intersection, draw a vertical line to the bottom of the graph.
3. The point at which this line meets the bottom line of the graph is the maximum length of the horizontal run.

Example 1: If the vertical dimension from the top of the stove to the center of the 90° elbow is 7' (2.13m), the horizontal run to the outer wall flange must not exceed 9' 9" (2.97m).

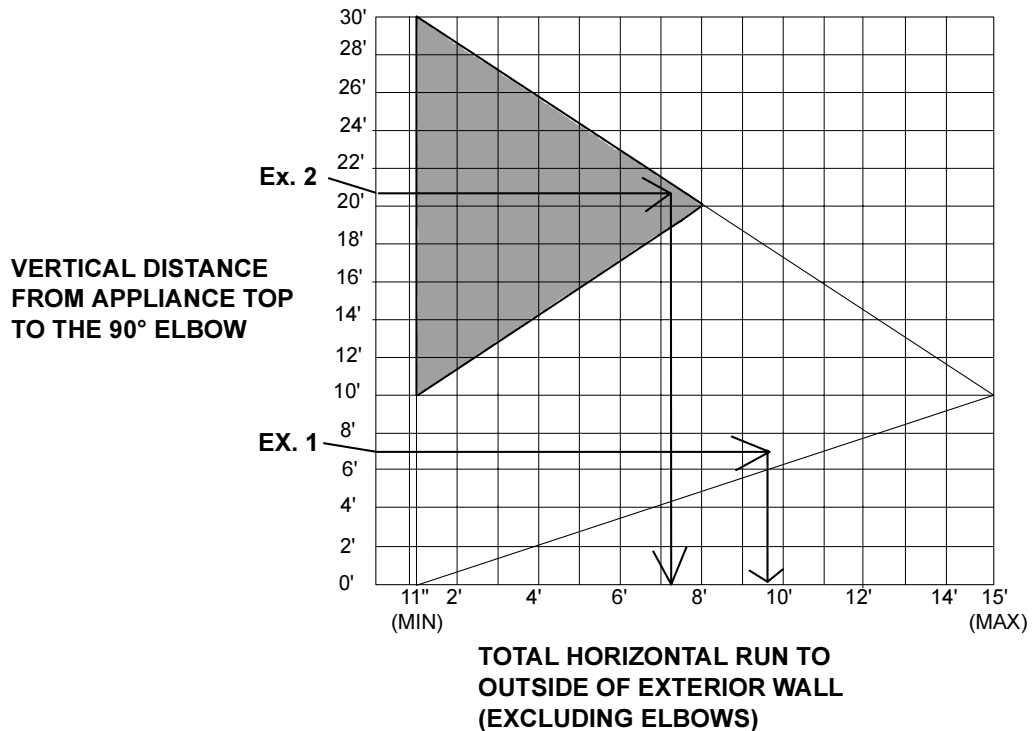
Example 2: If the vertical dimension from the top of the stove is 21' (6.4m), the horizontal run to the outer wall flange must not exceed 7' 3" (2.21m).

Note: The maximum horizontal vent run is 15' (4.57m) when the vertical vent rise is 10' (3.05m).

The minimum horizontal vent run is 12" (305mm).

Minimum wall thickness is 4" (102mm). Maximum wall thickness is 20" (508mm).

- Vent damper may need to be adjusted if your installation falls in the shaded area shown in graph.



HORIZONTAL TERMINATION REQUIREMENTS

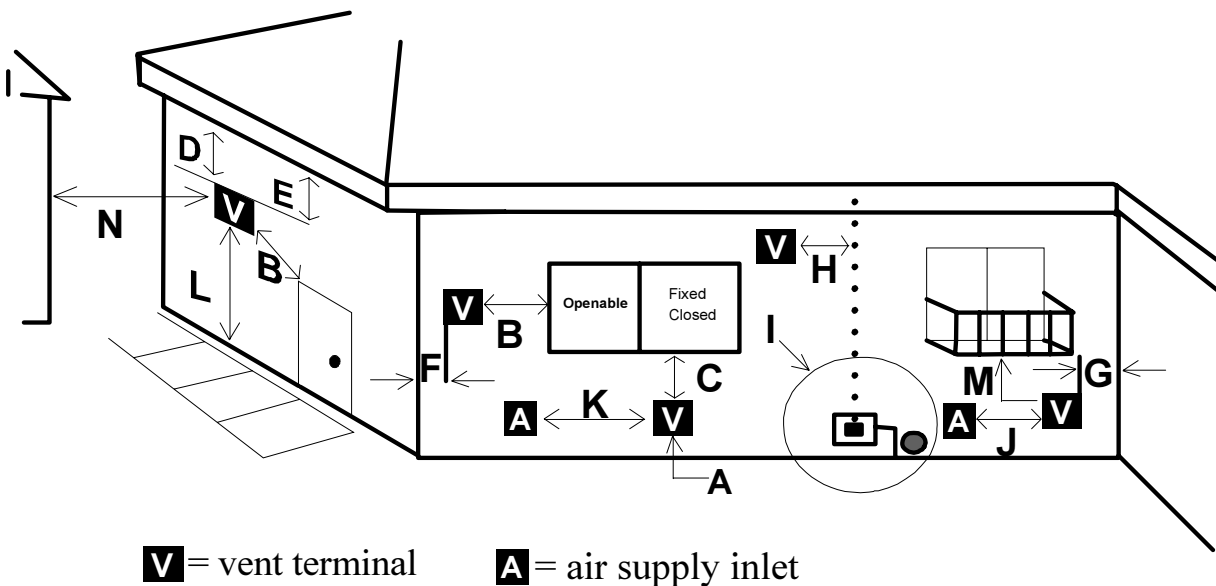
- A. *12" (30cm) minimum: **Clearance above grade, veranda, porch, deck, or balcony.**
- B. *12" (30cm) minimum: **Clearance to window or door that may be opened.**
- C. 12" (30cm) minimum: **Clearance to permanently closed window** (recommended to prevent condensation on window).
- D. 18" (46cm) minimum: **Vertical clearance to ventilated soffit located above the terminal within a horizontal distance of 2' (60cm) from the centerline of the terminal.**
- E. 12" (30cm) minimum: **Clearance to unventilated soffit.**
- F. 6" (15cm): **Clearance to outside corner.**
- G. 9" (23cm): **Clearance to inside corner.**
- *Not to be installed above a meter/regulator (gas or electrical) assembly within 3' (90cm) horizontally from the centerline of the meter/regulator.**
- H. *6' (1.8m) minimum: **Clearance to service regulator vent outlet.**
- I. *12" (30cm) minimum: **Clearance to nonmechanical air supply inlet to building or the combustion air inlet to any other appliance.**
- J. *6' (1.8m) minimum: **Clearance to a mechanical air supply air inlet.**
- K. *+7' (2.1m) minimum: **Clearance above paved sidewalk or a paved driveway located on public property.**
- L. *#12" (30 cm) minimum: **Clearance under veranda, porch, deck, or balcony.**
- M. 6" (15 cm) minimum: **Clearance to adjacent building or deck.**
- N. 6" (15 cm) minimum: **Clearance to nearby building**

+A vent shall not terminate directly above a sidewalk or paved driveway which is located between two single-family dwellings and serves both dwellings.*

#Only permitted if veranda, porch, deck, or balcony, is fully open on a minimum of two sides beneath the floor.*

*As specified in *CGA B149 Installation Codes*

Note: Local Codes or regulations may require different clearances.



HORIZONTAL INSTALLATION

NOTE:

Horizontal sections require a 1/4" (6mm) rise for every 12" (305mm) of horizontal travel.

Exterior Vent Diameter = 6 5/8" (177mm); Inner Vent Diameter = 4" (101mm)

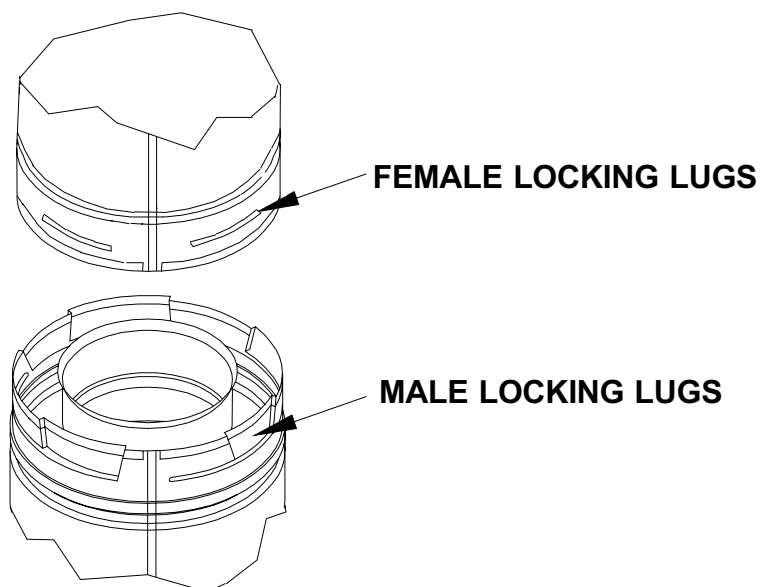
Horizontal sections require noncombustible support every 3' (914mm) , e.g. plumbing tape.

Step 1. Determine the desired location of the fireplace. Check to ensure that wall studs or roof rafters are not in the way when the venting system is attached. If this is the case, you may want to adjust the location of the stove.

Step 2. Simpson Dura-Vent pipe is designed with special twist-lock connections. To connect the venting system to the stove flue outlet, a twist-lock adapter is built into the stove at the factory. Remember to include wall thickness in minimum clearances when figuring the measurements for your installation needs.

Note: Twist-lock procedure: Four indentations, located on the female ends of pipes and fittings, are designed to slide straight onto the male ends of adjacent pipes and fittings by orienting the four pipe indentations so they match and slide into the four entry slots on the male ends, see Fig. 5 below. Push the pipe sections completely together, then twist-lock one section clockwise approximately one-quarter turn, until the two sections are fully locked. The female locking lugs will not be visible from the outside, on the pipe or fittings. They may be located by examining the inside of the female ends.

FIG. 5



NOTE: Horizontal runs of vent must be supported every 3' (914mm). Wall straps are available for this purpose.

Step 3. With the adapter, any vertical pipe required for your installation, and the 90° elbow attached to the flue outlet, measure the distance from the base of the ZC appliance to the center of the 90° elbow, adding 1/4" rise for every 1' of horizontal venting, as referenced in Note 1, below. Measure this height at the correct wall location for your installation, maintaining minimum clearance to combustibles, and mark the wall for a 10" x 10" (254mm x 254mm) square hole. The center of the square hole should line up with the centerline of the horizontal pipe, as shown in Figure 6A. Cut and frame the hole in the exterior wall where the vent will be terminated, Figure 6B. If the wall being penetrated is constructed of noncombustible material, i.e. masonry block or concrete, a 7" (178mm) diameter hole is acceptable.

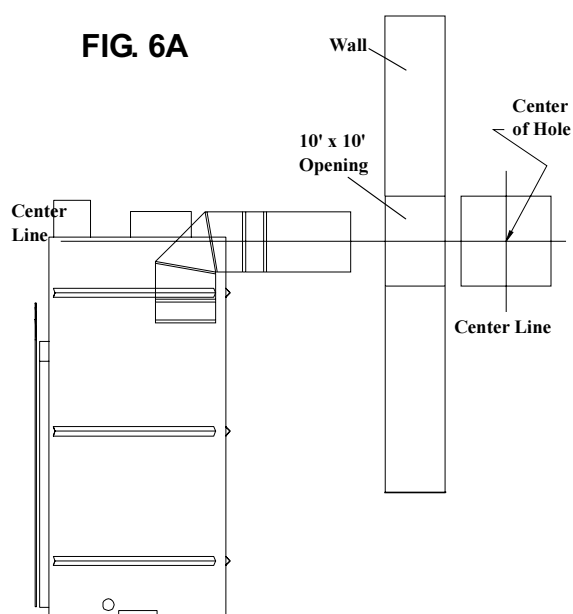
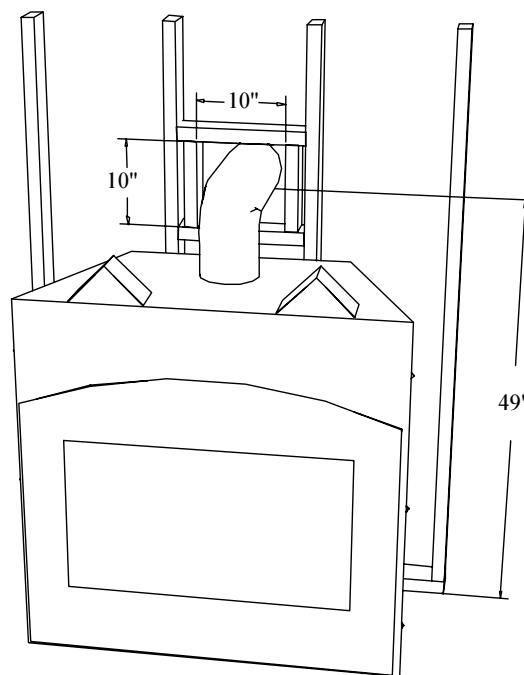


FIG. 6B



VENTING

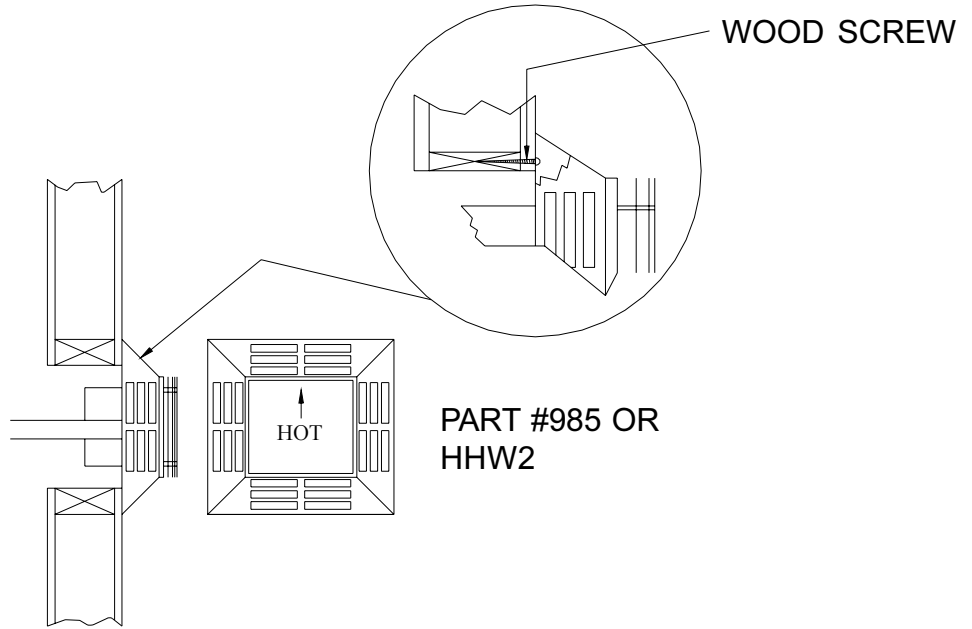
NOTE:

- (1) Installation requires a minimum of 1' (305mm) horizontal run of vent with a 1/4" (6mm) rise run towards the termination. Each 1' (305mm) of horizontal venting must include a 1/4" rise. Never allow the vent to run downward. This could cause high temperatures and may present the possibility of a fire.
- (2) The location of the horizontal vent termination on an exterior wall must meet all local and national building codes, and must not be easily blocked or obstructed, see page 33.
- (3) For installations requiring a vertical rise on the exterior of the building, 14" (356mm) and 36" (914mm) tall snorkel terminations are available. Follow the same installation procedures as used for standard horizontal terminations. If the snorkel termination must be installed below grade (i.e. basement application), proper drainage must be provided to prevent water from entering the snorkel termination. Do not backfill around snorkel termination.

HORIZONTAL INSTALLATION (CONT.)

Step 4. Position the horizontal vent termination in the center of the 10" (254mm) square hole, run a bead of non-hardening mastic around its outside edges, so as to make a seal between it and the wall, attach termination cap to the exterior wall with the four wood screws provided. The arrow on the vent cap should be pointing up (Figure 7) . Insure that proper clearances to combustible materials are maintained.

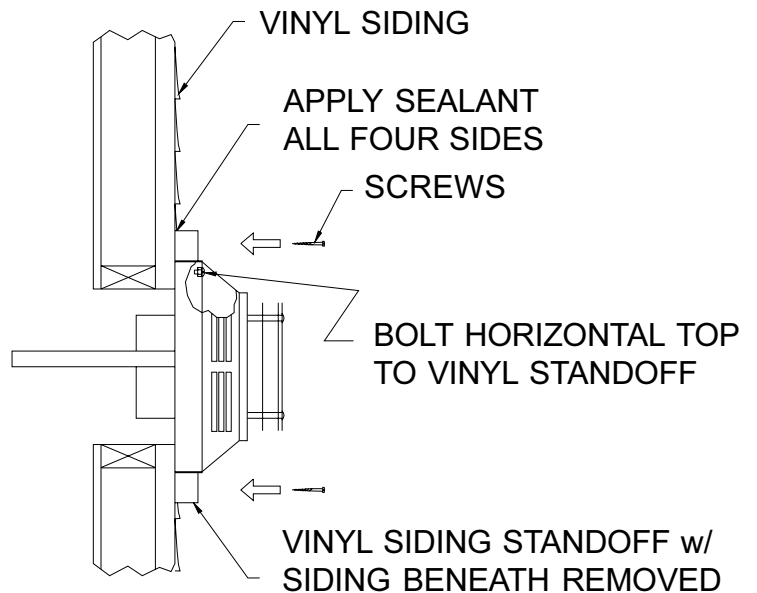
FIG. 7



NOTE:

- (1) The four wood screws provided should be replaced with appropriate fasteners for stucco, brick, concrete, or other types of sidings.
- (2) If you are using Simpson DuraVent termination cap # 985 on a building with vinyl siding, a vinyl siding standoff (Simpson Dura-Vent Part #950), should be installed between the vent cap and the exterior wall (Figure 8). Attach the vinyl siding standoff to the horizontal vent termination. The vinyl siding standoff prevents excessive heat from possibly melting the vinyl siding material. Vent terminal shall not be recessed into a wall or siding. **Remove siding from beneath area of standoff.**

FIG. 8

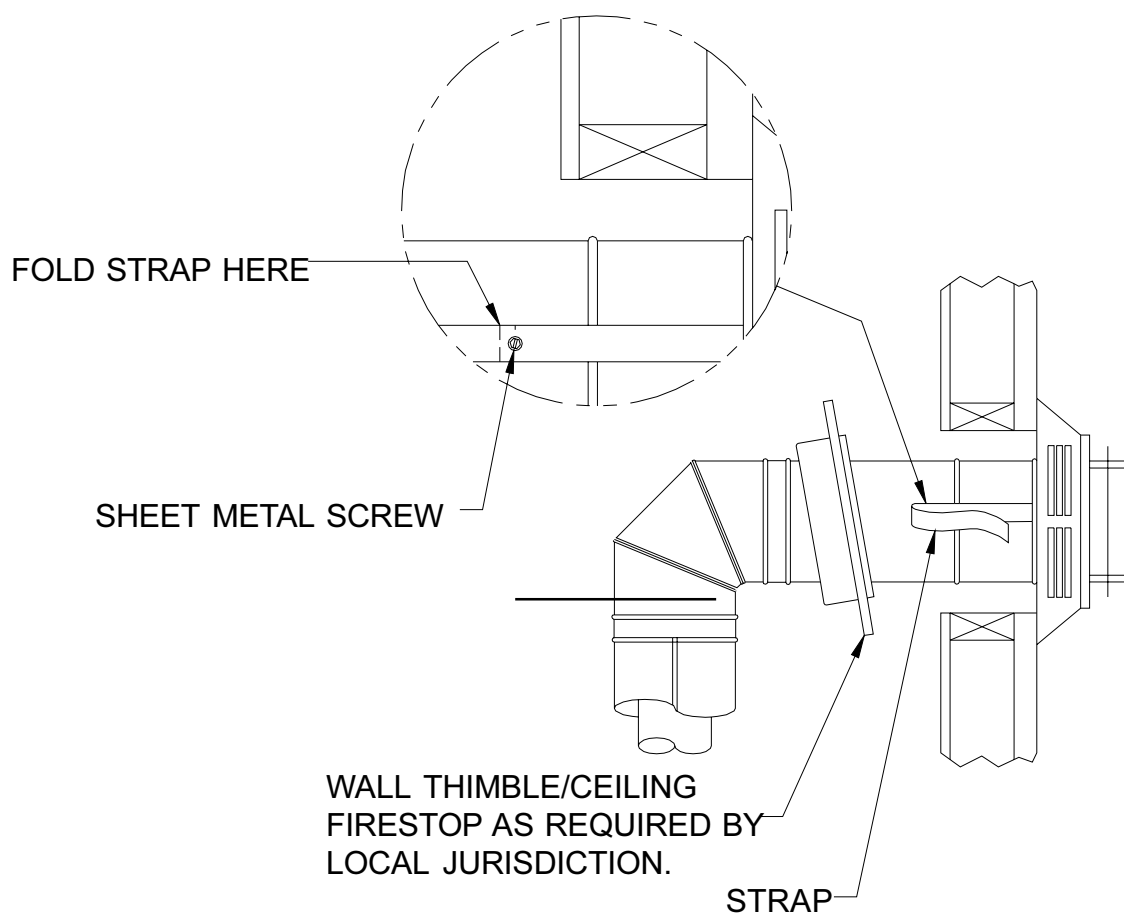


HORIZONTAL INSTALLATION (CONT.)

Step 5. Slide the stove and vent assembly (see Fig. 9 below) towards the wall, carefully inserting the vent pipe into the vent cap assembly. It is important that the vent pipe extend into the vent cap sufficient distance so as to result in a minimum pipe overlap of 1¼" (32mm). Secure the connection between the vent pipe and the vent cap by attaching the two sheet metal strips extending from the vent cap assembly into the outer wall of the vent pipe. Use the two sheet metal screws provided to connect the strips to the pipe section. (Figure 9).

Note: The attachment from the vent pipe to the vent cap must be siliconed. Venting terminals shall not be recessed into a wall or siding.

FIG. 9



VERTICAL INSTALLATION INSTRUCTIONS

USING GS SERIES PIPE

Step 1. Check the installation instructions for required 1" clearances (air space) to combustibles when passing through ceilings, walls, roofs, enclosures, attic rafters, or other nearby combustible surfaces. See page 40, Fig. 16. Do not pack air space with insulation. Check the instructions below for maximum vertical rise of the venting system, and any maximum horizontal offset limitations. All offsets must fall within the set parameters of the vent graph located on page 31.

NOTE: Maximum vertical rise allowable is 30' (900mm) (Figure 10).

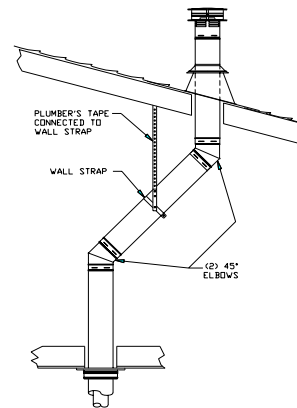
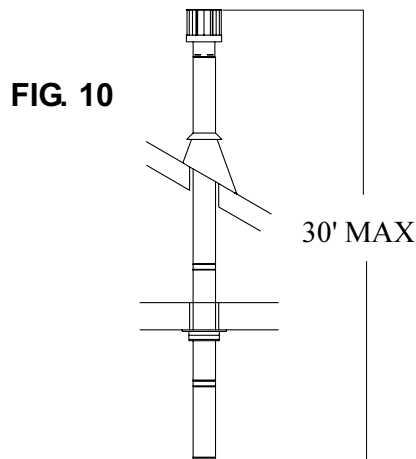
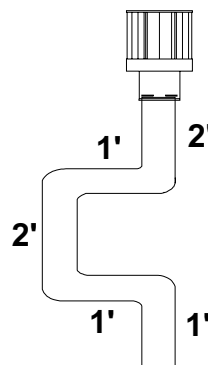


FIG. 11

NOTE: Maximum number of 45° elbows permitted for a vertical installation is eight, provided their installation does not decrease maximum vertical rise (as specified by Vent graph, on page 31).

NOTE: Maximum number of 90° elbows permitted for a vertical installation is four, provided the termination falls within the shaded area shown in vent graph on page 32. See also Figure 12 below. **ADDITIONAL RESTRICTION:** This installation **may not** have two horizontal sections connected by 90° elbows.

FIG. 12

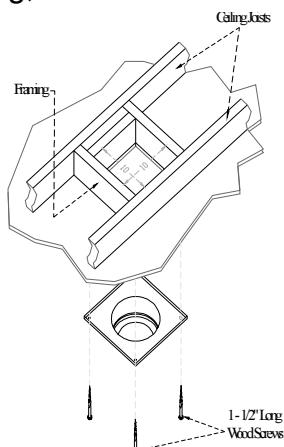


Step 2. Set the gas stove in its desired location. Drop a plumb bob down from the ceiling to the position of the stove flue exit, and mark the location where the vent will penetrate the ceiling. Drill a small hole at this point. Next, drop a plumb bob from the roof to the hole previously drilled in the ceiling, and mark the spot where the vent will penetrate the roof. Determine if ceiling joists, roof rafters, or other framing will obstruct the venting system. You may wish to relocate the stove, or to offset, as shown in Figure 11, to avoid cutting loadbearing members.

VERTICAL INSTALLATION INSTRUCTIONS

Step 3. To install the round support box/wall thimble in a flat ceiling, cut a 10" (254mm) square hole in the ceiling, centered on the hole drilled in Step 2. Frame the hole as shown in Figure 13.

FIG. 13



Step 4. Assemble the desired lengths of GS pipe and elbows necessary to reach from the stove up through the round support box. Ensure that all pipe and elbow connections are in their fully twist-locked position. Be sure to seal the outer pipe with appropriate sealant (high temperature silicone).

Step 5. Cut a hole in the roof centered on the small drill hole placed in the roof in Step 2. The hole should be of sufficient size to meet the minimum requirements for clearance to combustibles, as specified. Continue to assemble lengths of pipe and elbows necessary to reach from the ceiling support box up through the roof line. Galvanized pipe and elbows may be utilized in the attic, as well as above the roofline. The galvanized finish is desirable above the roofline, due to its higher corrosion resistance.

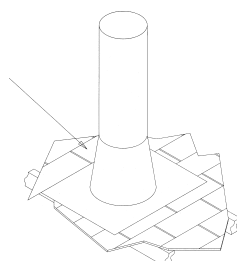
NOTE:

- (1) If an offset is necessary in the attic to avoid obstructions, it is important to support the vent pipe every 3' (914mm) to avoid excessive stress on the elbows, and possible separation. Wall straps are available for this purpose (page 38, Figure 11).
- (2) Whenever possible, use 45° elbows, instead of 90° elbows. The 45° elbow offers less restriction to the flow of flue gases and intake air.

Step 6. Slip the flashing over the pipe section(s) protruding through the roof. Secure the base of the flashing to the roof with roofing nails. Insure the roofing material overlaps the top edge of the flashing as shown in Figure 14. Verify that the chimney is the required height above the roof. See "2-10-3 Vertical Termination Rule" on page 28 of this manual

**SHINGLES OVERLAP
TOP EDGE OF
FLASHING**

FIG. 14



VERTICAL INSTALLATION INSTRUCTIONS (CONT.)

USING GS SERIES PIPE (CONT.)

Step 7. Continue to assemble pipe sections until the height of the vent cap (H) (Figure 15) meets the minimum code requirements described in code requirements as outlined in the current CAN/CGA-B149 Installation Codes (in Canada), the National Fuel Gas Code NFPA 54/ANSI Z223.1 (in USA), or local codes. Note that for steep roof pitches, the vent height must be increased. In high wind conditions, nearby trees adjoining rooflines, steep pitched roofs, and other similar factors can result in poor draft, or down drafting. In these cases increasing the vent height may solve this problem.

Step 8. Twist-lock the vent cap and seal.

NOTE:

- (1) For multi-story vertical installations, a ceiling firestop (SDV part #963) is required at the second floor, and any subsequent floors (Figure 16). The opening should be framed to 10" x 10" (254mm x 254mm) inside dimensions, in the same manner as shown in Figure 13.
- (2) Any occupied areas above the first floor, including closets and storage spaces, which the vertical vent passed through must be enclosed. The enclosure may be framed and sheetrocked with standard construction materials; however, refer to these installation instructions for the minimum allowable clearance between the outside of the vent pipe and the combustible surfaces of the enclosure. Do not fill any of the required air space with insulation.

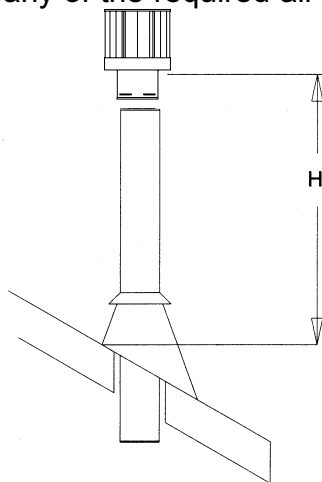


FIG. 15

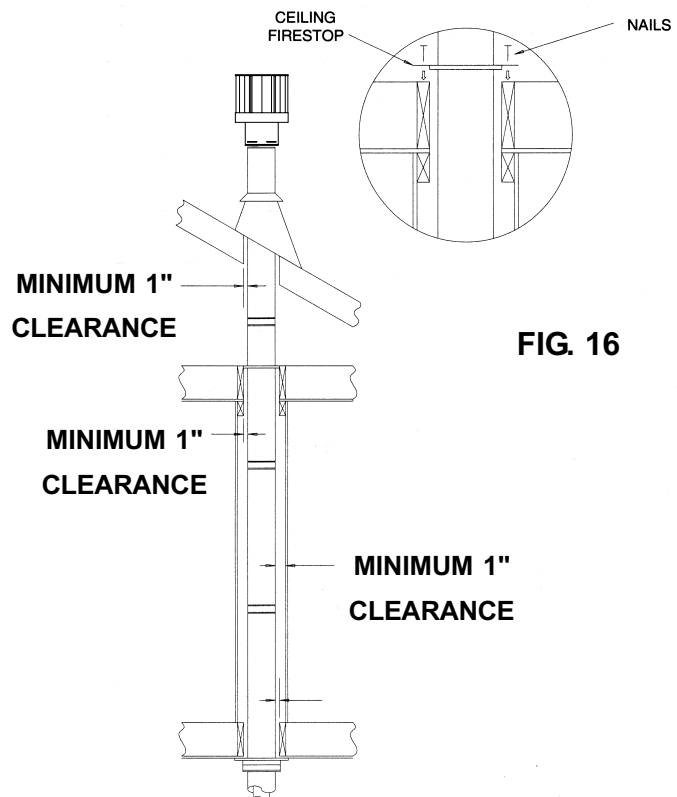


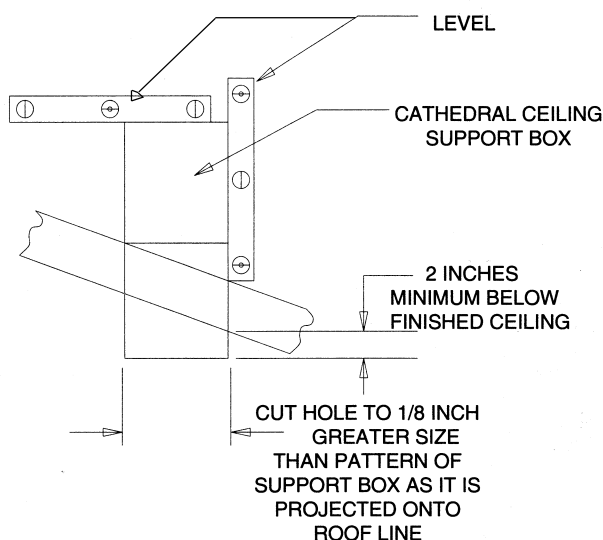
FIG. 16

VERTICAL INSTALLATION INSTRUCTIONS (CONT.)

CATHEDRAL CEILING INSTALLATION

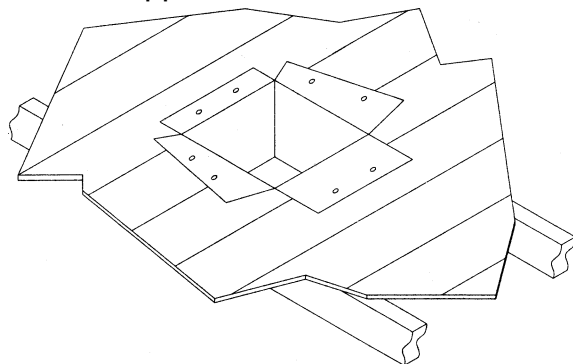
- Step 1.** Follow installation Steps 1 and 2 under vertical termination section.
- Step 2.** Using the plumb-bob, mark the centerline of the venting system on the ceiling, and drill a small hole through the ceiling and roof at this point. From the roof, locate the drill hole and mark the outline of the cathedral ceiling support box.
- Step 3.** Remove shingles or other roof covering as necessary to cut the rectangular hole for the support box. Cut the hole 1/8" (3mm) larger than the support box outline.
- Step 4.** Lower the support box through the hole in the roof until the bottom of the box protrudes at least 2" (51mm) below the ceiling (Figure 17). Align the support box both vertically and horizontally with a level. Temporarily tack the support box in place through the inside walls and into the roof sheathing.

FIG. 17



- Step 5.** Using tin snips, cut the support box from the top corners down to the roofline, and fold the resulting flaps over the roof sheathing (Figure 18). Before nailing it to the roof, run a bead of non-hardening mastic around the top edges of the support box to make a seal between it and the roof. Clean out any combustible material from inside the support box.

FIG. 18



- Step 6.** Complete the cathedral ceiling installation by following the same procedures outlines in steps 4 through 8 for vertical terminations.

VERTICAL INSTALLATION INSTRUCTIONS (CONT.)

INSTALLATION INTO A CLASS A METAL CHIMNEY (USA ONLY)

NOTE: Have the existing installation inspected by a qualified chimney sweep or professional installer prior to converting to direct vent. The existing chimney system must be in serviceable condition and functionally sound and clean.

- Step 1.** Remove existing chimney cap.
- Step 2.** Measure the distance from the top of the chimney to the bottom of the ceiling support box, add 3" (76mm) to this measurement, and cut a section of 4" (102mm) flex pipe to that length (the flex should be extended to its nominal length).
- Step 3.** Connect the end of the flex pipe section to the underside of the top adapter (SDV #985K, 986K or 987K), using three sheet metal screws (Figure 19).
- Step 4.** Pass the flex pipe down through the center of the chimney system, and center the top adapter on the top of the chimney pipe. Drill four 1/8" (3.3mm) diameter holes through the top adapter, and into the chimney top. Ensure that you are drilling into the metal on the chimney. Twist lock the high wind termination cap (SDV #991) onto the top adapter (Figures 20 and 21).
- Step 5.** Pull the flex pipe down through the ceiling support box, until it protrudes approximately 3" (76mm). Connect the flex pipe to the retro connector (SDV #909B), and attach with sheet metal screws.
- Step 6.** Push the flex pipe back up into the ceiling support box, center the retro connector, and attach it to the support box with sheet metal screws.
- Step 7.** The connection between the appliance and the retro connector may be completed with sections of direct vent pipe.

FIG. 19

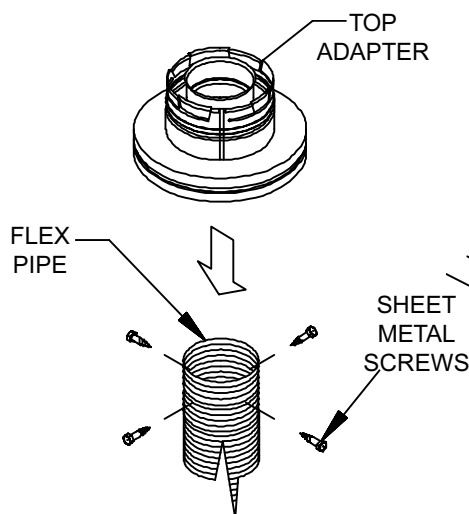


FIG. 20

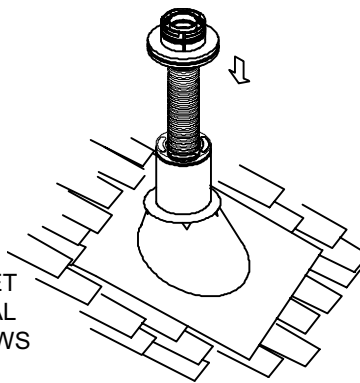
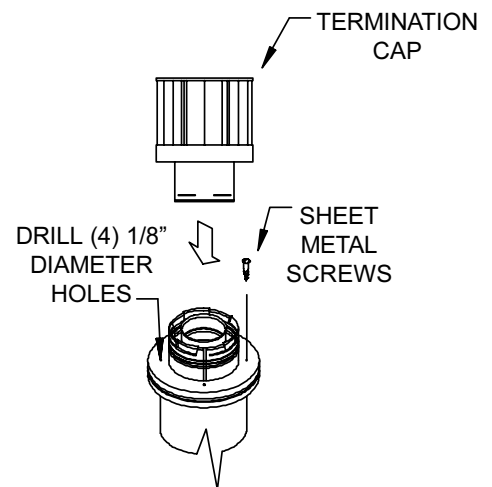


FIG. 21

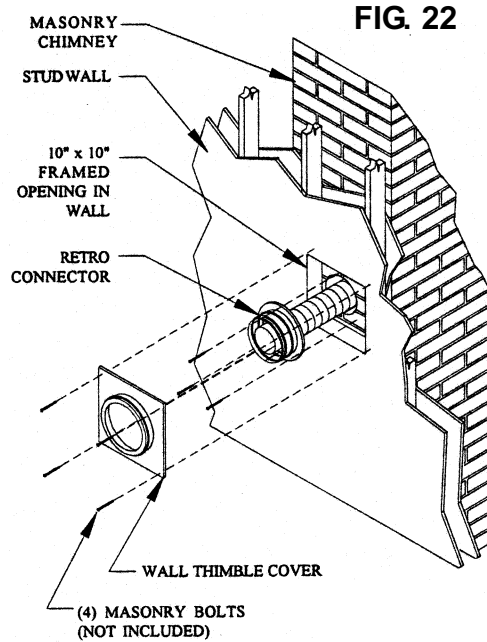


VERTICAL INSTALLATION INSTRUCTIONS (CONT.)

INSTALLATION INTO AN EXISTING MASONRY CHIMNEY (USA ONLY)

Step 1. Before cutting any holes, assemble the desired sections of direct vent pipe to determine the center of the masonry penetration.

Step 2. Once the center point of the penetration has been determined, cut a 6" (152mm) diameter hole in the masonry. If the hole is too large, the retro connector might not mount properly; if the hole is too small, the appliance might starve for intake air. If there is a frame wall in front of the masonry wall, cut and frame a 10" (254mm) square opening in the wall (centered around the 6" [152mm] masonry opening). If there is sheet rock only (no studs) in front of the masonry the 10" (254mm) opening is still needed, but does not need to be framed. This allows the retro connector to mount directly on the masonry and provide the correct clearances to combustibles (see Figure 22).



Step 3. Secure the flashing (SDV #705C) to the top of the masonry chimney using a bead of non-hardening sealant-adhesive. If the flashing is larger than the top of the chimney, cut and fold flashing as needed to fit chimney (Figure 23).

Step 4. To determine the length of flex needed, measure from 3" (76mm) above the top of the flashing down to the level of the opening. Add the distance from the center of the chimney out through the wall. Cut a piece of 4" (102mm) flex to this length (extended to its nominal length). Be sure to leave 2"-3" (51mm-76mm) of flex above the existing chimney to allow for connection to the termination kit.

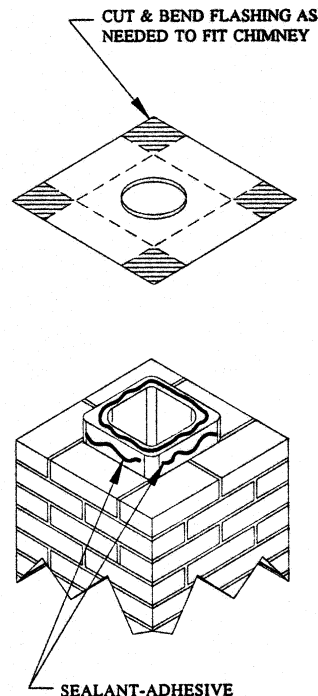


FIG. 23

VERTICAL INSTALLATION INSTRUCTIONS (CONT.)

Step 5. Connect the flex liner to the top adapter using three sheet metal screws (see Figure 19, page 42).

Step 6. Feed the flex liner through the flashing into the chimney. Carefully feed the flex liner down the chimney to the bottom and out the opening in the masonry wall, forming an angle to line up the flex liner with the vent opening on the appliance.

WARNING: Do not let the flex liner sag below the level at which it will connect to the appliance or connector. This could allow hot gas to become trapped and potentially become a fire hazard. The flex liner path should always be sloped up toward the termination cap.

FIG. 24

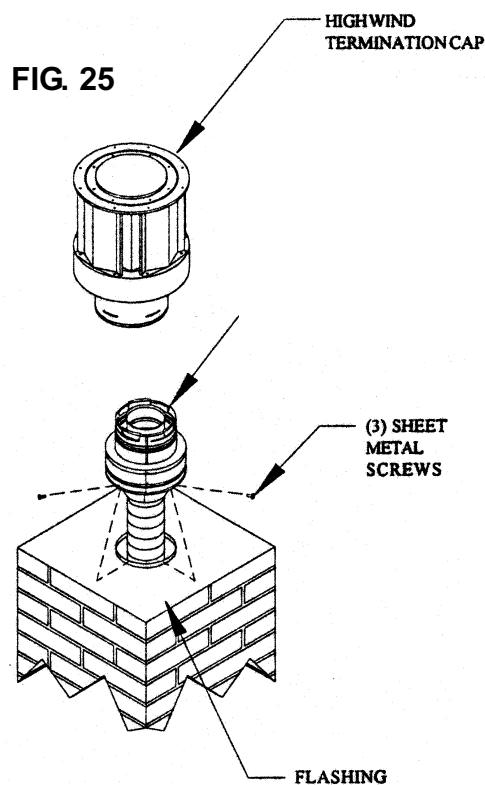
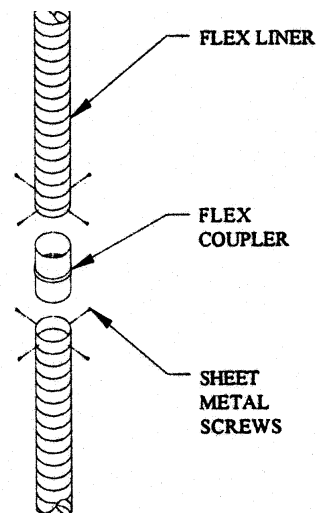


FIG. 25

Step 7. If additional lengths of flex liner are needed to span the chimney height, use a flex coupler to connect the pieces of flex liner together. Connect the flex to the coupler by using four sheet metal screws for each side (Figure 24).

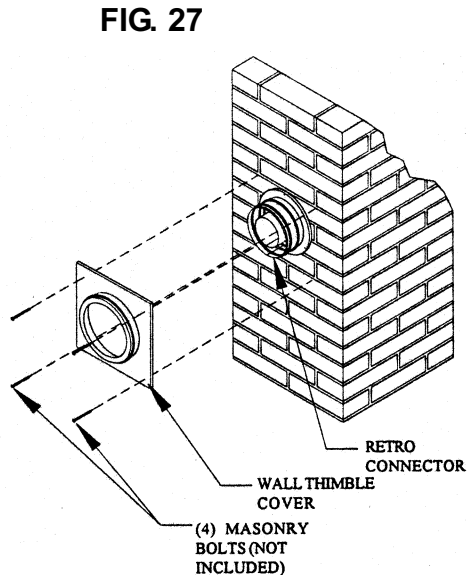
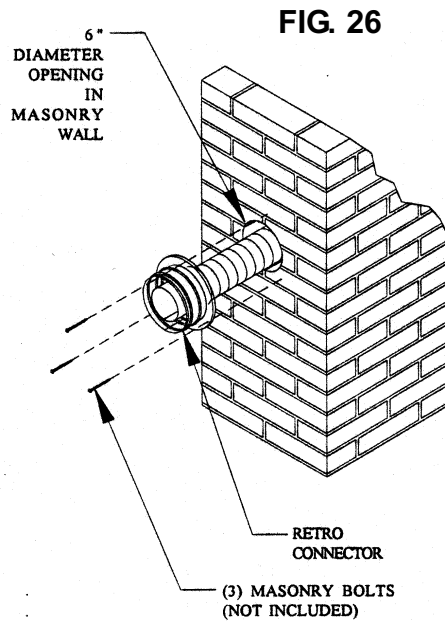
Step 8. Secure the top adapter to the flashing. Use three sheet metal screws through the side of the top adapter into the flange on the flashing (Figure 25). Twist lock the high wind termination cap (SDV #991) on to the top adapter.

VERTICAL INSTALLATION INSTRUCTIONS (CONT.)

Step 9. Attach the flex to the retro connector. Use three sheet metal screws to attach the flex liner to the connector (Figure 26). Mount the retro connector to the masonry wall using masonry bolts. Redrill larger holes on connector as needed. Be careful to ensure that the connector is centered in the opening and the mounting holes line up with the masonry wall.

Step 10. Slide wall thimble cover (SDV #940) over retro connector and secure with masonry bolts (Figure 27). If you have a framed wall in front of the masonry, use wood screws to mount wall thimble cover to framed wall, over retro connector and 10" (254mm) square framed opening (Figure 22). If needed, add a section of direct vent pipe to the retro connector in order to extend through the opening in the wall thimble cover.

Step 11. The connection between the appliance and the retro connector may be completed with sections of direct vent pipe.



WARNING: If any other appliances have been previously attached to this masonry flue or an open fireplace, etc., all openings into flue should be sealed properly. It is very important that there is only one appliance on a vent system and that there are no air leaks into the masonry chimney itself other than the vent appliance venting.

GAS LINE REQUIREMENTS

GAS LINE

- ✓ The gas line must be installed in accordance with all local codes, if any; if not, follow ANSI 223.1 and the requirements listed below. Ensure that a 1 1/4" allowance from base of unit is made for hard pipe installation, see page 16, Minimum Framing Dimensions.
- ✓ The fireplace and gas control valve must be disconnected from the gas supply piping during any pressure testing of that system at test pressures in excess of 1/2 psig. For pressures under 1/2 psig, isolate the gas supply piping by closing the manual shutoff valve.
- ✓ The appliance must be isolated from the gas supply piping system by closing its equipment shutoff valve during any pressure testing of the gas supply piping system at test pressures equal to or less than 1/2 psi (3.5 kPa).
- ✓ Leak test all gas line joints and the gas control valve prior to and after starting the fireplace.

Fuel

This unit is manufactured for use with natural gas. To convert to LP gas, Part #842-4470, LP Conversion Kit, is required and available through your dealer

Gas Line Connection

A manual shutoff valve is installed in the unit. To access the shutoff valve, open the control panel access door and locate the red swing handle to the right of the control panel beneath the firebox.

Gas Inlet Pressure

- ✓ ***All other gas appliances in the household must be turned "ON" to check Inlet Pressure, and;***
- ✓ ***Inlet pressure can only be checked with fireplace burner "ON".***

	Input Pressure		
	Standard	Minimum	Maximum
Natural Gas	7" W.C.	4.5"W.C.	7"W.C.
Propane	11" W.C.	11"W.C.	14"W.C.

If the pressure is not sufficient, ensure: 1) the piping used is large enough, 2) the supply regulator is adequately adjusted, and 3) that the total gas load for the residence does not exceed the amount supplied.

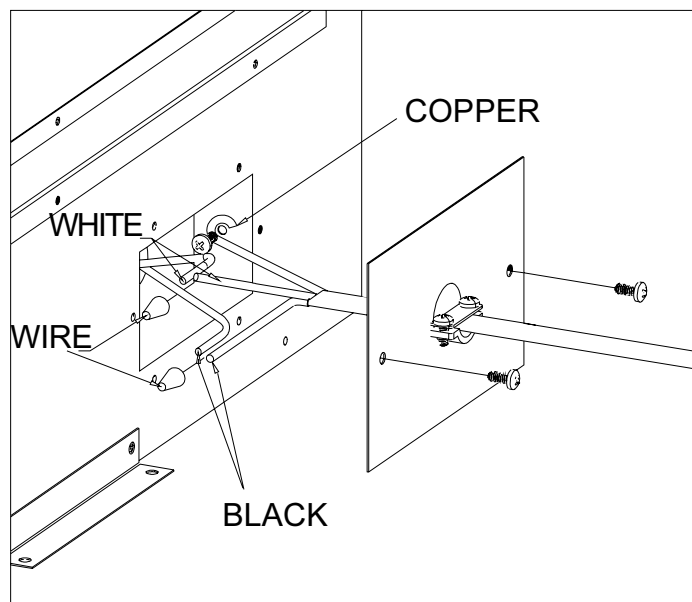
The supply regulator (the regulator that attaches directly to the residence inlet or to the propane tank) should supply gas at the suggested input pressure listed above. Contact the local gas supplier if the regulator is at an improper pressure.

ELECTRICAL CONNECTION

Make sure the household breaker is shut off prior to working on any electrical lines.

This appliance, when installed, must be electrically grounded in accordance with local codes or, in the absence of local codes, with the *National Electrical Code, ANSI/NFPA 70*, or the *Canadian Electrical Code, CSA C22.1*.

The electrical line must be at least 14 gauge and supply 120 Volts at 60 Hz (2 Amps)



Remove the junction box cover at the right rear corner of the fireplace near the base.

Feed the electrical line through the strain relief (use insulated Romex type wire).

Remove the wires from the junction box. Expose approximately 1/2" of metal wire from each line of the electrical line. Use wire nuts to secure the wires together. Connect copper ground wire to grounding screw as shown in figure above, connect the white wire to the common wire (usually white), and the black wire to the hot wire (usually black).

Push the wire connections into the junction box. Replace the cover plate.

Tighten the strain relief onto the outer insulation of the electrical line to secure.

CAUTION: Label all wires prior to disconnection when servicing controls. Wiring errors can cause improper and dangerous operation. Verify proper operation after servicing.

OPTIONAL THERMOSTAT INSTALLATION

A remote control or wall switch may be wired to the TH and TPTH thermostat terminals. See Parts and Accessories on page 66 to order through your dealer.

BRICK INSTALLATION

Installation of the brick set should be made prior to the logset, nugget and lava rock installation.

Optional Accessory Part # 841-0740

Kits includes: 1 Rear brick, 1 Right Brick, 1 Left Brick and 2 Brick clips.

NOTE: BRICK IS FRAGILE. HANDLE WITH CARE.

1. Place rear brick behind log rack against rear wall of firebox as shown in Fig. 1.

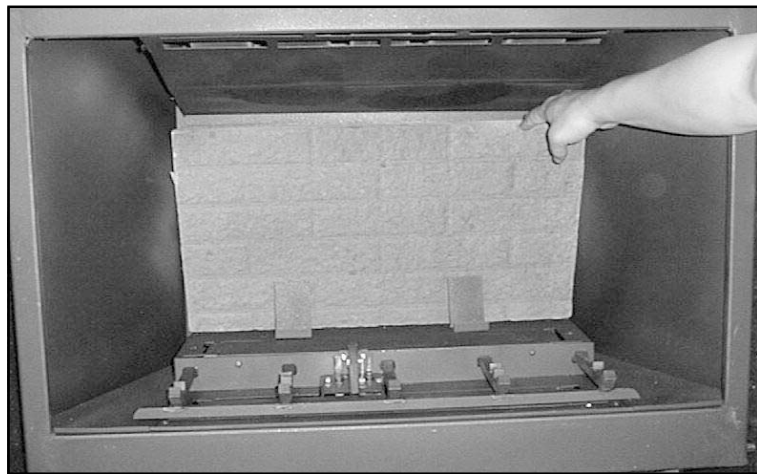


FIG. 1

2. Remove mounting screws from the upper right and left sides of firebox, see Figure 4 for location of mounting screw, and gently slide the right and left side brick panels into place as shown in Figures 2 and 3.

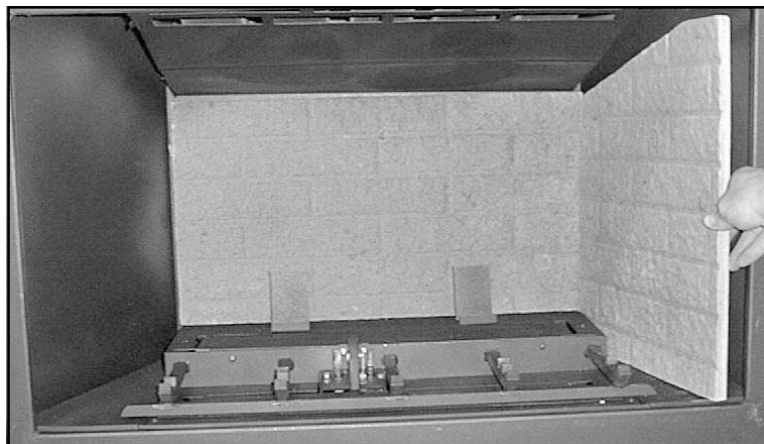


FIG. 2

BRICK INSTALLATION, CONT.

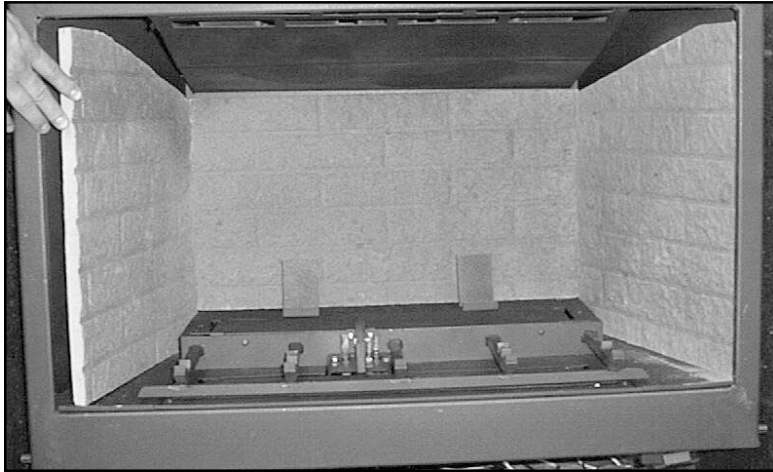
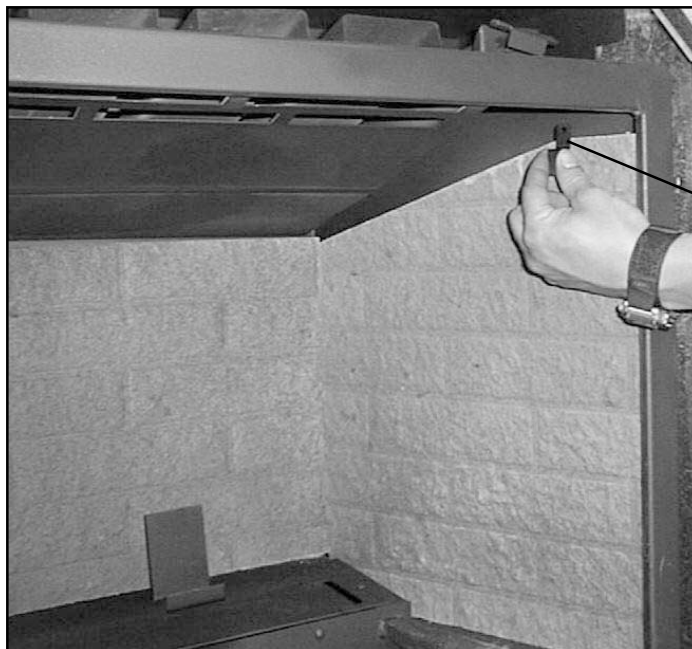


FIG. 3

3. Attach brick retaining clips to right and left sides, using mounting screws removed in Step 2. (Fig. 4).



Mounting
screw & clip
placement.

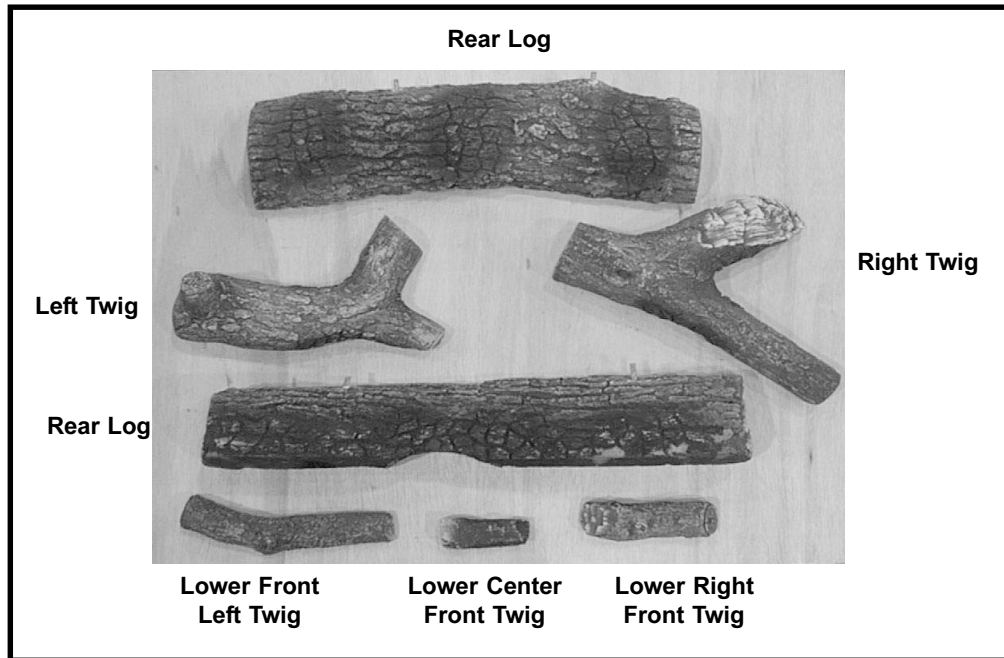
FIG. 4

BRICK INSTALL

LOGSET AND NUGGET INSTALLATION

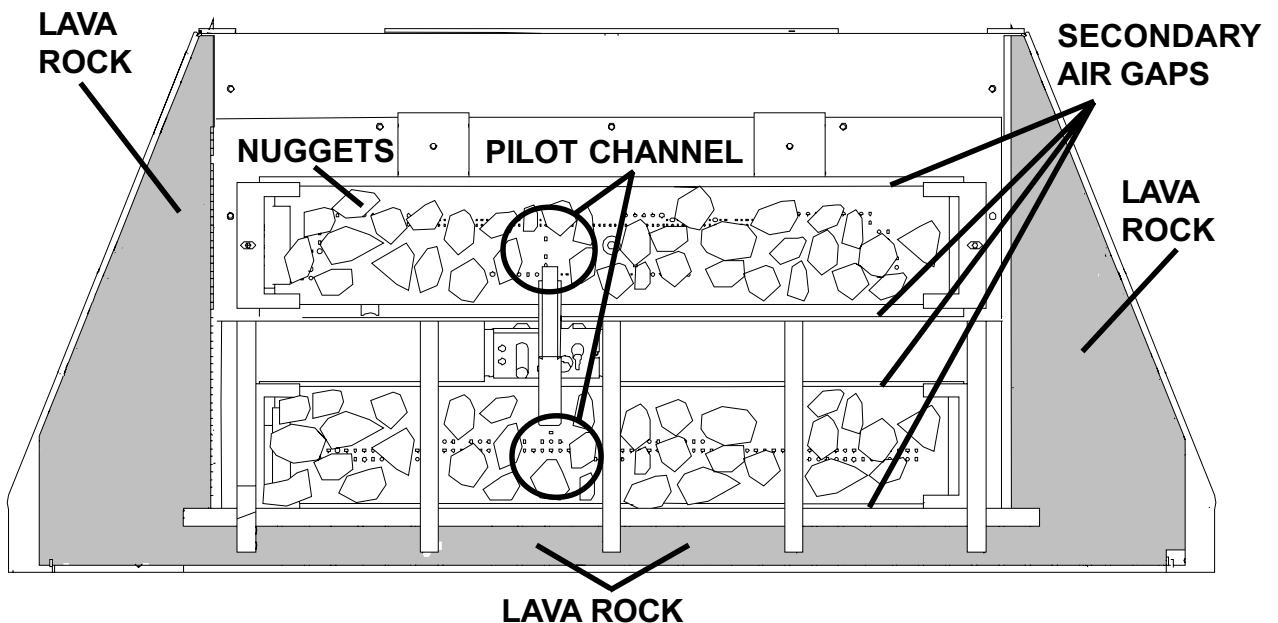
NOTE: If you plan to install the optional brick set, do so prior to installing the logset, nuggets and lava rock. Continue at this point **AFTER** installing the optional brick set.

LOG IDENTIFICATION



1. Install complete bag of lavarock in indicated gray area **ONLY** shown in Figs. 1 & 2.
2. Install nuggets. Avoid covering burner secondary air channels, nuggets should be distributed evenly; one layer on front and back shelves. **CAUTION!** Avoid nugget buildup at pilot transfer channel. See Fig.

FIG. 1 FIREBOX FLOOR



LOGSET INSTALL

LOGSET AND NUGGET INSTALLATION, CONT.

3. Set Rear Log in rear log bracket with pegs in upright position. Fig. 3.
4. Set the notch in the Front Log over the pilot transfer channel and center log side-to-side on the grate with pegs in upright position. Fig. 4.

FIG. 2 NUGGET PLACEMENT



FIG. 3 REAR LOG



FIG. 4 REAR & FRONT LOGS



LOGSET INSTALL

LOGSET AND NUGGET INSTALLATION, CONT.

5. Place Left Twig onto pegs on top of Rear and Front Logs. Fig. 5.
6. Place Right Twig onto pegs on top of Rear and Front Logs. Fig. 6.
7. Place Lower Left Front Twig in front of stops on log rack. Fig. 7.
8. Place Lower Front Right Twig in front of stops on log rack. Fig. 8.
9. Place Lower Center Front Twig at center of log rack. Fig. 9.

FIG. 5 LEFT TWIG



FIG. 6 RIGHT TWIG



FIG. 7 LOWER FRONT LEFT TWIG



FIG. 8 LOWER FRONT RIGHT TWIG

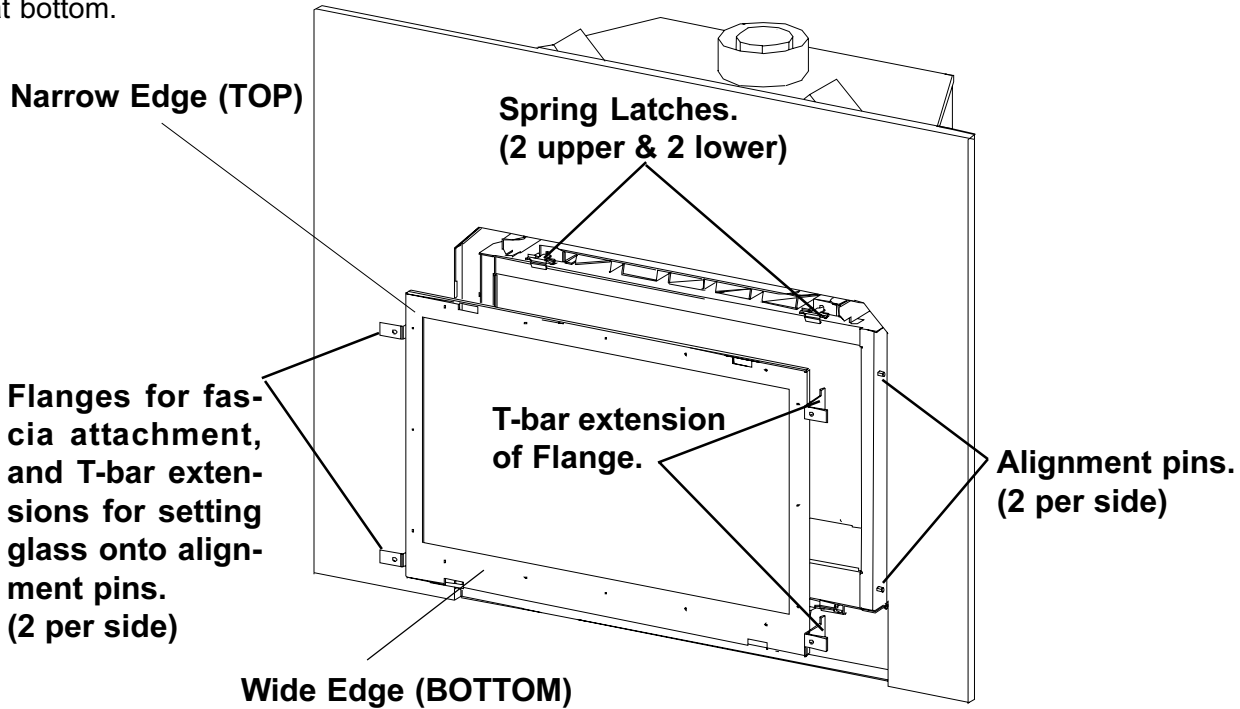


FIG. 9 LOWER FRONT CENTER TWIG



INSTALLING GLASS

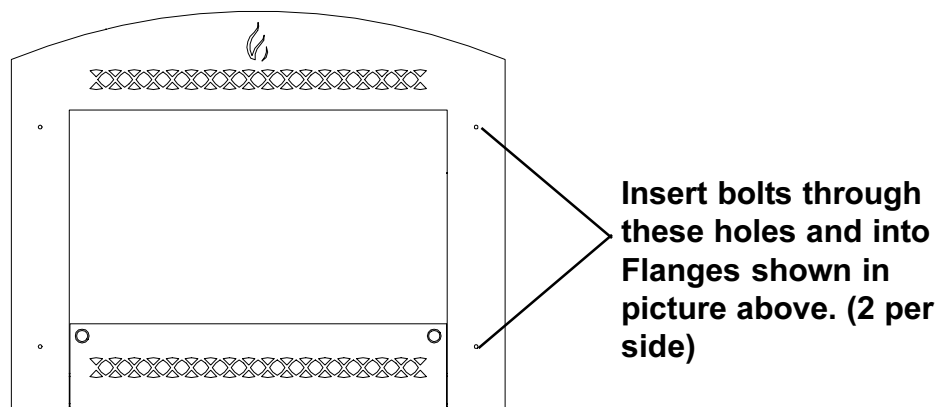
The glass assembly has a narrow metal edge at top of the frame, and wide metal edge at bottom of the frame. To install the glass assembly, lift and set the bottom T-bar extensions onto the bottom alignment pins located at the edge of firebox--refer to diagram below. With the bottom edge of glass assembly resting on the bottom alignment pins, lift up and onto the top alignment pins. Secure the assembly to the appliance with the spring latches, two on top and two at bottom.



WARNING: Use care in handling of glass assembly, do not strike or slam as this could cause breakage.

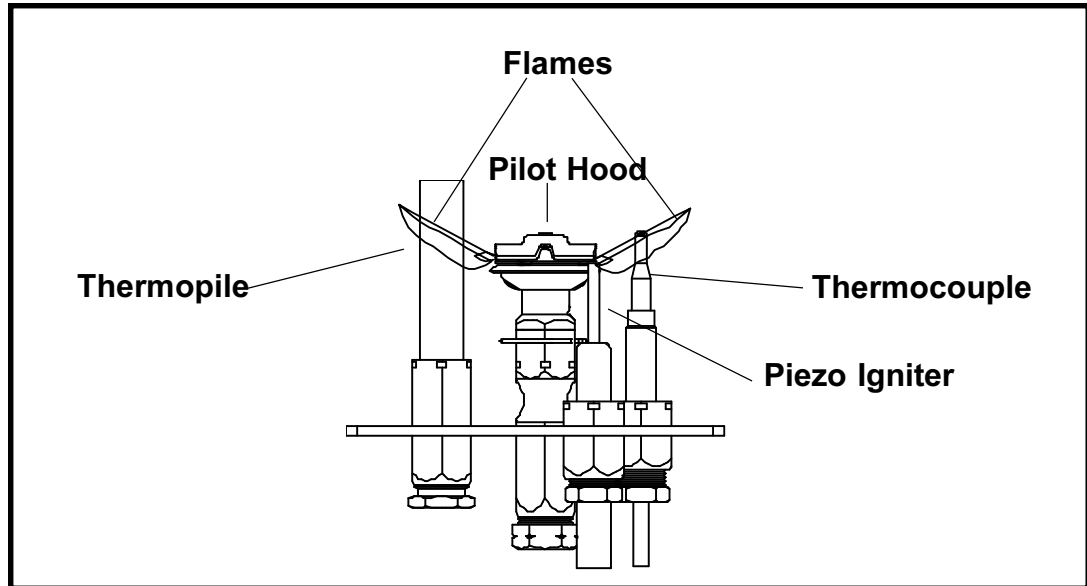
INSTALLING FASCIA

All arched and rectangular fascia attach to four flanges located two to each side of the glass frame. Insert and finger start bolts tightening with the 5/32" Allen wrench supplied with unit.



LEAK TEST

1. Turn on gas to the fireplace.
2. Turn on gas at the manual shutoff valve.
3. Leak test all gas joints prior to starting the appliance.
4. Familiarize yourself with the control panel components, see page 58.
5. Follow Lighting Instructions on next page to light the pilot and then the main burner.
6. Leak test all gas joints again.
7. Check the pilot flame ensuring that it looks like the illustration below. Adjust the pilot flame if necessary.



INITIAL START-UP: NORMAL OCCURRENCES

WARNING! *You must clean all fingerprints and oils from any gold surface prior to firing the fireplace for the first time.*

Fumes from curing paint and oil burning off the steel is a normal occurrence. Open window to vent the area until fumes disappear.

Condensation appearing on the glass each time you start the fireplace is also normal.

Blue Flames will occur on the initial start-up. After fifteen minutes the flames will become the yellow/orange flame color.

Remote Wall Switch: If you install a remote wall switch to operate the fireplace, leave the ON/OFF switch on the fireplace control panel in the "ON" position.

- ✓ Do not place any combustible items on top of or directly in front of the fireplace, even temporarily. The optional thermostat may start the fireplace causing a combustible item to ignite.
- ✓ If the fireplace turns on and off frequently while using the thermostat, you may want to adjust the flame height down until it produces just enough heat needed, or relocate the thermostat further away from the fireplace.

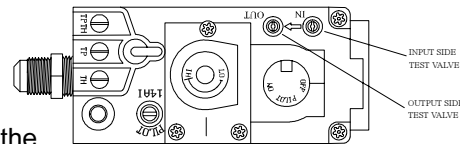
LIGHTING INSTRUCTIONS

WARNING: If you do not follow these instructions exactly, a fire or explosion may result causing property damage, personal injury or loss of life.

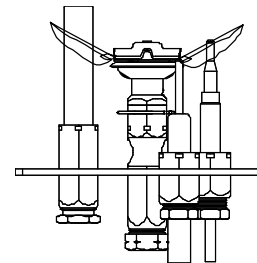
- A. This appliance has a pilot that must be lit manually. When lighting the pilot, follow these instructions exactly
- B. BEFORE LIGHTING, smell around the appliance area for gas. Be sure to smell next to the floor because some gas is heavier than air and will settle on the floor.

WHAT TO DO IF YOU SMELL GAS

- Do not try to light any appliance.
 - do not touch any electric switch; do not use any phone in your building.
 - Immediately call your gas supplier from a neighbor's phone. Follow the gas supplier's instructions.
 - If you cannot reach your gas supplier, call the fire department.
- C. Use only your hand to push in or turn the gas control knob. Never use tools. If the knob will not push in or turn by hand, don't try to repair it, call a qualified service technician. Force or attempted repair may result in a fire or explosion.
 - D. Do not use this appliance if any part has been under water. Immediately call a qualified service technician to inspect the appliance and to replace any part of the control system and any gas control which has been under water.



1. STOP! Read the safety information above on this label.
2. Set the thermostat to the lowest setting (if applicable) and turn off the switch at the control panel.
3. Disconnect power from appliance.
4. Remove fascia.
5. Open the door of the appliance with spring latches located at the top and bottom of the door.
6. Wait five (5) minutes to clear out any gas. Smell for gas, including near the floor. If you smell gas, STOP! Follow "B" of the safety information above. If you don't smell gas go to the next step.
7. Push gas control knob in and turn to pilot position. NOTE: Knob cannot be turned from "PILOT" to "OFF" unless knob is pushed in slightly. Do not force.
8. Press down on the gas control knob in pilot position and simultaneously press piezo igniter on the control panel. (This may take many repetitions for lighting.)
9. The pilot should be visible through the door below the front log.
10. After the pilot is lit, continue holding control knob down for approximately 30 seconds. Release knob and it will pop back up. Pilot should remain lit. If it goes out, repeat steps 5 through 9.
 - If the knob does not pop up when released, stop and immediately call your service technician or gas supplier.
 - If the pilot will not stay lit after several tries, turn the gas control knob to "OFF" and call your service technician or gas supplier.
11. Turn gas control knob to "ON".
12. Turn burner switch on the control panel to on. If thermostat is to be used, leave switch in "OFF" position and set the thermostat to desired setting.
13. Reconnect electrical power to appliance.



1. Set the thermostat to lowest setting.
2. Turn off all electric power to the appliance if service is to be performed.
3. Push in gas control knob slightly and turn clockwise to "OFF" position. Do not force.

LIGHTING

SHUTTER ADJUSTMENT

A 5/32 Allen wrench is supplied with unit to make adjustment to the two Allen bolts which operate the shutter adjustment for rear (top) and front (lower) main burners. These are located beneath the firebox, behind the control panel on your left at the base of the burner pans.

Light stove and allow to burn for 20 minutes to allow logs to cure. While logs are curing you may notice a bright orange flame, this is normal. When this flame turns to yellow or disappears, the shutter adjustment can take place.

The shutter is pre-set to the open position at factory, so adjustment may not be necessary. If flame height adjustment is required, turn the allen bolts counterclockwise to close shutters and obtain a yellow flame. For a blue flame with more glow, turn the allen bolts clockwise to open the shutters. Wait 5 minutes for flame to settle. If the flame is not satisfactory, repeat the procedure. This setting should only require attention during initial set-up.

DAMPER ADJUSTMENT

NOTE: Fireplace must be operating to make this adjustment. An adjustable damper is built in to the unit to control the flow rate of exhaust gases. This ensures proper combustion for your vent configuration and is also a factor in flame appearance.

The damper control is located above the heat exchanger. Use a flashlight to locate the Phillips screwhead. Using a long Phillips screwdriver, loosen the screwhead. Above that screw is an extension rod with a standard driver slot at the end near the front of the unit.

Use a standard screwdriver to make the adjustment while observing flame appearance, turn counterclockwise until optimum operation occurs. This setting should only require attention during initial set-up.

ADJUSTING FLAME HEIGHT

The flame of the fireplace is adjustable in order to tailor the look and heat output to your specific needs. It is adjusted by turning the Comfort Control dial on the control panel, see page 58.

ADJUSTING THE BLOWER SPEED

The blower will turn on automatically within approximately 10 minutes after start-up and the fireplace is up to temperature. This aids in transferring the heat into the living area. The blower speed can be increased or decreased using the Fan Speed knob on the control panel, see page 54.

NORMAL OPERATING SOUNDS

- Blower** The fireplace uses a 160 cfm blower to circulate heated air into the living area. It produces a whirring sound which increases in volume as the speed is increased.
- Pilot Flame** The pilot flame remains on constantly and makes a "whisper" sound.
- Gas control valve** As the valve opens and shuts down it will click.
- Burner pan** The burner pan is located beneath the logs. It distributes the gas producing a clean, efficient and aesthetic burn. As the main burner gets up to temperature a creaking sound will be heard. This is the expansion of the metal. The sound will cease once the fireplace is up to temperature but may return upon cool down.
- Blower snap disc** This part may produce a clicking sound as the blower turns on and off.
- Heat Exchanger** A normal expansion and contraction sound may be heard.

HIGH ALTITUDE OPERATION

In Canada, this unit is approved from 0 to 4500 feet above sea level. Installation of this stove at altitudes above 4500 feet is subject to field test of the individual installation and approval by the local authority having jurisdiction.

In the United States, input ratings of this unit are based on sea level operation, and shall not be changed for operation at elevations up to 2000 feet. For operation at elevations above 2000 feet, this stove shall be reduced at the rate of 4% for each 1000 feet above sea level.

Exception: As permitted by the authority having jurisdiction.

To adjust stove for operation above 2000 feet the burner orifices may need to be changed. The orifices are located beneath the log set so it is necessary to first remove the logs. To do so please refer to the following detailed instructions to achieve optimum performance of your stove.

WARNING ! The following procedure should only be undertaken by a qualified and certified gas appliance installer.

CAUTION: DISCONNECT ANY ELECTRICAL CORDS AND TURN OFF GAS SUPPLY TO UNIT BEFORE PROCEEDING.

1. If logset is installed, remove logs and embers at this time.
2. With a Phillips screwdriver, remove pilot lighting channel and front log rack.
3. Remove the two Phillips head screws that secure the front and rear burner pan in place.
4. Remove the burner pans by sliding to the right and lifting out. (Shutters may need to be adjusted 'closed' to make this easier).
5. Slide shutters out of the way. Using a 3/8" wrench or socket, remove the orifice inserts and replace with proper orifices for the specified gas. See below.
6. Reinstall burner pans and adjust shutters to 'open' position.

CAUTION: The correct orifice placement is critical for proper appliance performance follow BTU de-rating chart below to locate the necessary orifice size for the front and rear burners.

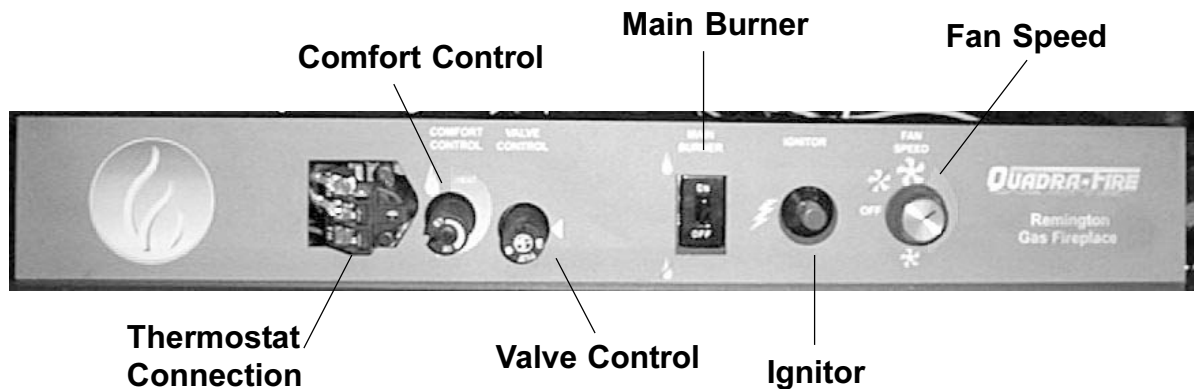
EQUIVALENT ORIFICE SIZES AT HIGH ALTITUDES
(Includes 4% Input Reduction For Each 1000 Feet)

Orifice size at Sea Level:	2000	3000	4000	5000	6000	7000	8000	9000	10000
Natural Gas									
Front 47	48	48	48	49	50	50	51	51	52
Rear 42	43	43	43	44	44	45	46	47	47
Propane									
Front 56	57	57	57	58	58	59	60	61	62
Rear 53	54	54	54	54	54	55	55	55	56

OPERATION

Read this entire manual prior to using the fireplace. Pay particular attention to the "Safety Precautions" section on pages 6-9. Failure to follow the instructions may result in property damage, bodily injury, or even death.

CONTROL PANEL



FAN SPEED This knob controls the speed of the internal convection blower that pushes the heated air into the room.

MAIN BURNER This control is used to turn the fireplace on and off.

PILOT IGNITOR The pilot ignitor is used only to start the pilot. When pressed, it sends an electrical charge to the pilot assembly. This creates a blue spark directly next to the pilot, igniting the pilot flame.

VALVE CONTROL This knob is used to control gas to the fireplace and for starting the pilot. There are three positions, ON, OFF, & PILOT. The pointer on the panel indicates the position of the knob.

COMFORT CONTROL This knob controls the flame height from low ("LO") to high ("HI").

- If using a remote control or thermostat, the On/Off Switch must be left "OFF". Turning the On/Off Switch "ON" will keep the fireplace on continually.

MAINTENANCE

GENERAL

Installation and repair should be done by a qualified service person. The appliance should be inspected before use and at least annually by a professional service person. More frequent cleaning may be required due to excessive lint from carpeting, bedding material, et cetera. It is imperative that control compartments, burners and circulating air passageways of the appliance be kept clean.

GLASS CLEANING

WARNING! DO NOT CLEAN GLASS WHEN HOT! TURN UNIT OFF AND ALLOW TO COOL. DO NOT USE ABRASIVE CLEANERS ON GLASS SURFACE!

- ✓ Turn off pilot light.
- ✓ Remove fascia.
- ✓ Open door by releasing four spring latches, two on top and two on bottom of glass.
- ✓ Using glass cleaner, wipe with soft cloth or clean paper towel until surface is dry.
- ✓ Relight pilot.
- ✓ Close door.
- ✓ Replace Fascia.
- ✓ Check main burner's operation.

NOTE: If you observe a white film on the door glass, use a hard water deposit glass cleaner or contact your dealer. The use of a glass cleaner will reduce the mineral deposits.

NOTE: Do not use abrasive materials or chemical cleaners.

Refer to page 61 for Glass Replacement instructions.

GOLD OR NICKEL FASCIA - CARE AND TREATMENT

WARNING! *You must clean all the fingerprints and oils from gold or nickel surface prior to firing the fireplace for the first time.*

Use a glass cleaner or vinegar and a very soft towel to remove the oils. If gold or nickel fascia is not cleaned properly prior to lighting the first fire, the oils remaining from fingerprints can cause permanent markings on the gold plating. After the plating is cured, the oils will not affect the finish and regular maintenance can be provided using glass cleaner and a very soft cloth as needed.

YEARLY SERVICING PROCEDURES

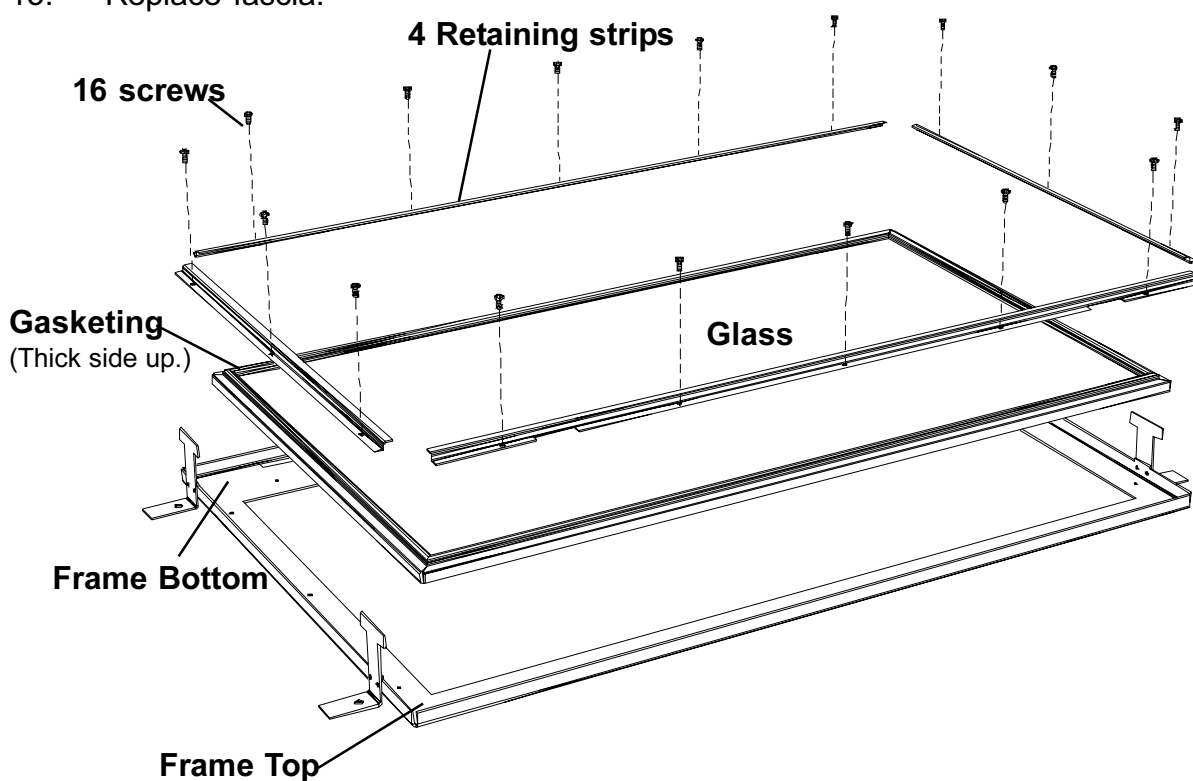
WARNING! *Failure to inspect and maintain the fireplace may lead to improper combustion and a potentially dangerous situation. The following procedures are recommended to be completed by a qualified technician once per year, preferably prior to the burning season.*

1. Check the pilot flame. It should engulf approximately 3/8" of the top of the thermopile and engulf the top of the thermocouple (see illustration on page 54).
2. Shut off gas to the fireplace by turning the valve control knob to "OFF" (see step A under "Starting the Pilot" on page 55). Allow the fireplace to cool for 15 minutes. Remove the fascia and glass.
3. Remove the log set (**NOTE: the logs are extremely fragile ceramic.** If any log is cracked or deteriorated, replace it when reinstalling. Check the logs for sooting. A small amount of soot along the bottom of the logs is normal. If excessive sooting is found, the fireplace will require adjustment. Contact your dealer.
4. Clean the burner pan (especially in the burner holes and slots) and inspect the following:
 - a. Check for burner pan holes that are cracked, severely warped, or corroded.
 - b. Make sure the burner pan assembly fits flat against the floor of the firebox.
 - c. Check the firebox and area around the pilot to make sure there is no warping or damage. If any problem is found, discontinue use and contact your dealer for service.
5. Reinstall the log set. Reinstall the glass (if the glass is damaged, contact your dealer for a replacement) Make sure the gasket along the perimeter of the glass contacts the face of the firebox and forms an airtight seal. If it does not, realign or replace the gasket to insure an airtight seal. Reinstall the fascia.
6. Inspect the area behind the access door. Check the gas control valve and all of the gas lines. If any damage is found, discontinue use and contact your dealer for service.
7. Start the pilot and turn on the main burner. The flames should be orange/yellow and not touch the top of the firebox. If the pilot or main burners do not burn correctly, contact your dealer for service. Monitor the blower operation.
8. Remove any debris or vegetation near the vent termination, ensuring that the flow of combustion and ventilation air is not obstructed. Contact your dealer if any sooting or deterioration is found near the vent termination.

GLASS REPLACEMENT

Replace glass with part #842-3820 ONLY, available from your dealer.

1. Turn valve to "OFF" position to prevent start-up of unit while door is removed.
2. Prepare a flat area to lay the door on by covering the surface with cardboard, disposable tarp or paper large enough to contain the entire door.
3. Wear leather gloves, long sleeves and safety glasses to protect against injury from any broken glass.
4. Ensure that unit has completely cooled. Remove fascia, then door.
5. Lay door on prepared surface with the front facing down.
6. Use a Phillips screwdriver to remove the 16 screws holding the four retaining strips in place and set aside.
7. Carefully remove the retaining strips and set aside.
8. Carefully remove broken/defective glass and dispose of pieces. Dust any particles of glass off the door frame and dispose of the covering it was laid on. Any particles of broken glass could scratch the replacement piece if contact is made during the replacement. Scratches in the glass may cause breakage.
9. Place a clean covering on your work surface.
10. Position the door frame face down upon the clean surface and place the new glass on the frame with the thin side of gasketing down, facing the front.
11. Reinstall the retainer strips using the screws removed earlier. Take care not to over tighten the screws.
12. Replace the glass with the narrow edging of frame on the top, but do not latch until Lighting Instructions (page 55) have been completed.
13. Replace fascia.



BLOWER REPLACEMENT

Part #842-3790

1. Disconnect power to unit at power supply (this may require shutting off power at the circuit breaker box).
2. Remove fascia and door.
3. Remove control panel cover.
4. Disconnect white wire from white wire at junction box in unit.
5. Disconnect black wire from snap disc.

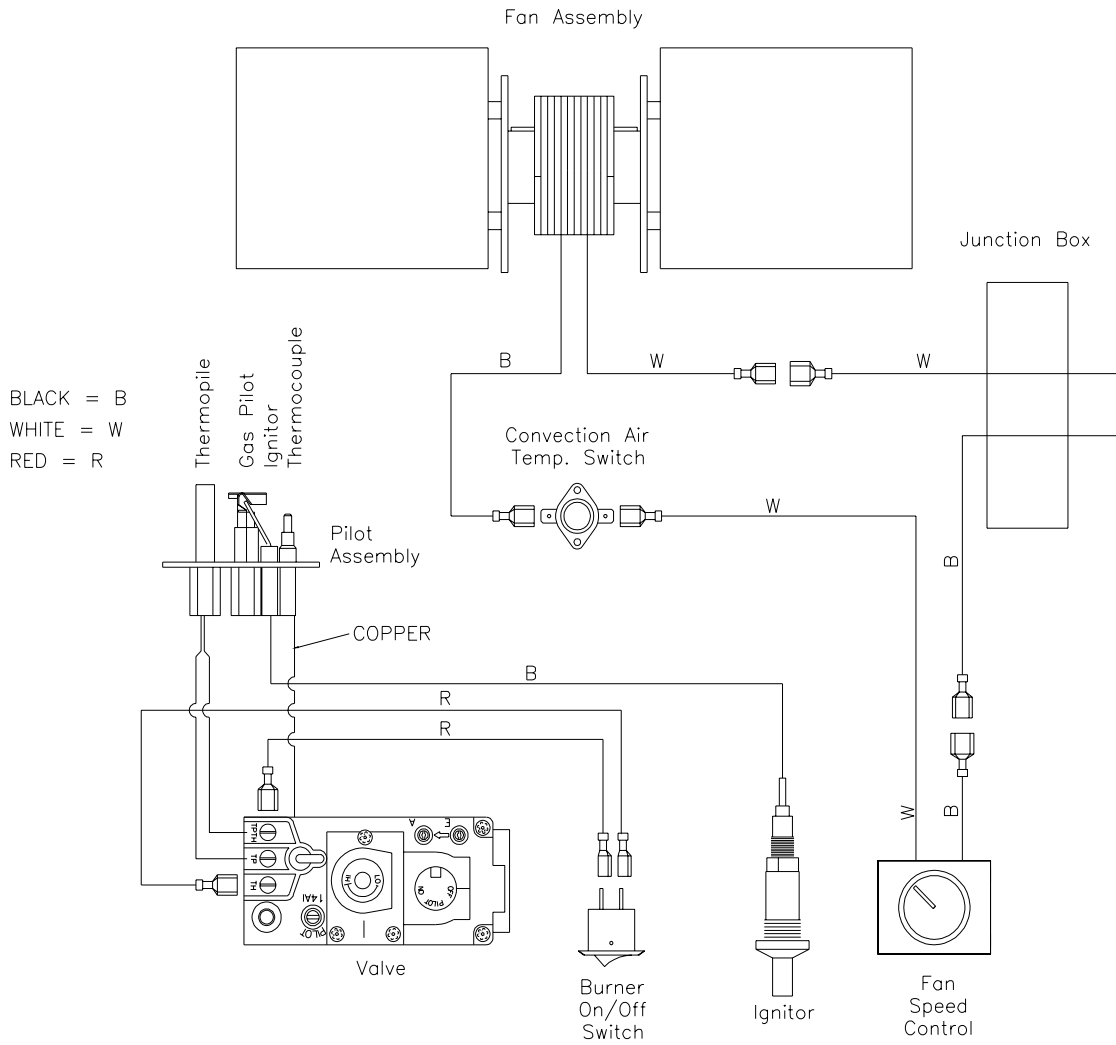
NOTE: Removing the blower requires passing the blower unit through a restricted area. Care must be taken to ensure that your gas line is out of the way. Depending on your gas line installation, it may be necessary to disconnect your gas line on the valve side of shutoff within the unit and move the flex line aside.

6. Reach in and take hold of one or both ends of the blower impeller(s) and lift it up off mounting studs.
7. Pull blower forward, towards the back of valve.
8. Slide blower all the way to your right.
9. Rotate left side of blower towards the front of unit.
10. Carefully maneuver blower out the front, over gas line between control panel and door latch.
11. Reinstall new blower in reverse order.

NOTE: When reinstalling ensure that rubber grommets on the end being inserted first are not dislodged from the blower.

ELECTRICAL SCHEMATIC

MAINTENANCE



TROUBLESHOOTING

Pilot won't light

- ✓ Is a gas shut-off valve turned on?
- ✓ Is the valve control knob turned to "PILOT"
(See Lighting Instructions, #7, Pg. 55).
- ✓ Is the valve control knob pushed in? (See Lighting Instructions, #8)
- ✓ Was the igniter pressed repeatedly? (See Lighting Instructions, #8)

Main Burners Will Not Start

- ✓ Has the pilot light gone out? (See Lighting Instructions, Pg. 55).
- ✓ Is the gas control valve turned to "PILOT" or "OFF" ? (See Lighting Instructions).
- ✓ Is the ON/OFF switch in the "OFF" position? (Turn to "ON")
- ✓ Is the remote control working correctly?
(See instruction manual for the remote control).
- ✓ Is the thermostat disconnected or set too low?
(See Thermostat Operation, Pg. 47).
- ✓ If LP, is the tank empty?

Remote Control Does Not Turn Unit On / Off

- ✓ Has the pilot light gone out? (See Lighting Instructions, Pg. 55).
- ✓ Is the gas control valve turned to "PILOT" or "OFF"? (See Lighting Instructions).
- ✓ Is the ON/OFF switch turned to "OFF"? (Turn the switch to "OFF")
If the switch is on, unit will remain on.
- ✓ Is the remote too far away from the fireplace? (Use remote closer to fireplace)
- ✓ Is the remote control receiver turned "OFF"?
(See instruction manual for the remote control).
- ✓ Are the remote control batteries dead?
(See instruction manual for the remote control).

Thermostat Does Not Work

- ✓ Has the pilot light gone out? (See Lighting Instructions, Pg. 55).
- ✓ Is the gas control valve turned to "PILOT" or "OFF" ? (See Lighting Instructions).
- ✓ Is the thermostat set too low? (See Thermostat Operation, Pg. 47).
- ✓ Is the On/OFF switch turned to "OFF"? (Set the switch to "ON")
If switch is on, unit will remain on. (The switch overrides the thermostat.)

Fireplace Will Not Distribute Heat

- ✓ Is the fireplace getting electricity? (Check the breaker switch)
- ✓ Is the fireplace up to temperature? (See Operating Procedures, Pgs. 54-58).
- ✓ Is Blower operational? (Check Fan Speed control, Pg. 58).

TROUBLESHOOTING, (CONT.)

Pilot Goes Out Once a Month or More

- ✓ Has the gas supply been shut off? (Keep gas supply turned on)

Flames Are Too blue

- ✓ Has the fireplace just been started? (This is normal - see Initial Start-up Pg. 54).
- ✓ Primary Air adjustment--contact dealer.

Flames Are Too Short (Under 6")

- ✓ Is the flame height may be turned too low? (Turn the flame height to "HI"; see Adjusting the Flame Height, Pg. 56).
- ✓ Primary air adjustment - Contact Dealer.
- ✓ Damper adjusted properly? - Contact Dealer.

Thin Layer of Soot Covers the Glass

- ✓ Are the logs or embers placed incorrectly? (See Log Set Installation, Pg. 50).
- ✓ Is the air shutter adjusted properly? (Contact Dealer for Air Shutter adjustment)
- ✓ Damper adjusted properly?

Fireplace Design:

Many of the components within this fireplace are designed specifically for safety purposes. It is therefore imperative that only certified gas service technicians should service this fireplace.

Main Burner Operation:

A millivolt system controls the operation of this fireplace. The thermopile and thermocouple generate electricity when heated by the pilot flame. This electricity is used to operate the gas valve. Without enough electricity, the gas valve will not turn on. That is why when starting the pilot the gas control knob has to be pressed in long enough for the thermocouple to heat up and generate enough electricity. The thermopile provides power for the ON/OFF switch, remote control, or thermostat. Because the thermopile generates the electricity needed to turn the fireplace on and off, this fireplace can be operated when the power is out (although the blower will not run).

Gas Buildup Prevention Feature:

This appliance's utilization of a high-technology gas valve in conjunction with a pilot flame ensures that no gas builds up inside the firebox.

The thermocouple (next to the pilot) senses when the pilot flame is lit. If the pilot flames goes out, this thermocouple no longer generates electricity, causing the gas valve to automatically shut off all gas to the heater, preventing the pilot from spilling gas into the firebox.

PARTS & ACCESSORIES**PARTS**

842-0240	Valve (NG)
842-3501	Pilot
842-3910	Pilot Orifice NG (.025)
842-3900	Pilot Orifice LP (.016)
842-4480	Logset (7 pieces)
842-4490	Rear Log
842-4520	Front Log
842-4500	Left Twig
842-4510	Right Twig
842-4530	Lower Left Front Twig
842-4550	Lower Right Front Twig
842-4540	Lower Center Front Twig
842-3790	Blower
842-4560	Front Pan Burner
842-4570	Rear Pan Burner
842-3940	Lava Rock
841-0370	Nuggets
842-3250	Rheostat
842-1660	On/Off Switch
842-0360	Piezo Igniter
832-2970	Blower Snapdisc, 125°
842-3780	Baffle
842-3820	Glass
842-3291	Owner's Manual

ACCESSORIES

841-0710	Fascia, Arched Gold
841-0750	Fascia Arched Brushed Nickel
841-0720	Fascia, Arched Black
841-0730	Fascia, Rectangular Black
841-0740	Brick (3 pieces)
842-4470	LP Conversion Kit (SIT EZ change)
812-2880	Thermostat, manual
811-0520	Thermostat, programable
844-0100	Thermostatic Remote Control



WARRANTY



North America's Best
Limited Lifetime Gas Appliance Warranty

GAS APPLIANCE LIMITED LIFETIME WARRANTY

Aladdin Hearth Products, warrants this gas heating appliance to the original purchaser for the lifetime of the appliance, to be free from defects in material and workmanship. This warranty gives you specific legal rights; you may have other rights which may vary from state to state.

This limited Lifetime Warranty covers items such as but not limited to combustion chambers, heat exchange systems, burners, gas logs, doors, gold plating, and glass damaged by thermal breakage.

All parts to be replaced must be returned to an authorized Aladdin Hearth Products dealer at purchaser's expense for inspection and approval by Aladdin Hearth Products prior to repair or replacement. No repair or replacement costs will be honored without approval of Aladdin Hearth Products.

This new Quadra-Fire product must be installed by a competent, authorized service contractor. It must be installed and operated at all times in accordance with the Installation, Operation and Maintenance Instructions included in this manual, as well as any applicable local and national codes. Any alteration, willful abuse, accident, or misuse of the product shall void this warranty.

Any installation, construction, transportation, or other related costs or expenses arising from defective part(s), repair, replacement, etc., will not be covered by this warranty, nor will Aladdin Hearth Products assume responsibility for them. Further, Aladdin Hearth Products will not be responsible for any incidental, indirect, or consequential damages, except as provided by law.

All electrical components such as but not limited to blowers, wiring, speed controls, thermodisc switches and gas valves are covered by Aladdin's one year warranty program.

Aladdin Hearth Products will not be responsible for any alteration to the unit which causes sooting that results in damage to the interior of the building in which this appliance is installed.

This warranty is void if the insert has been operated in atmospheres contaminated by chlorine, fluorine, or other damaging chemicals, the stove is subjected to prolonged periods of dampness or condensation, or there is any damage to the stove or other components due to water or weather damage which is the result of, but not limited to, improper chimney or venting installation.

This limited Lifetime Warranty does not extend to or include paint, door gasketing, glass gasketing, firebrick or other ceramic insulating materials. It does not cover installation or operational-related problems such as overfiring, downdrafts or spillage caused by environmental conditions, nearby trees, buildings, hilltops, mountains, inadequate venting or ventilation, excessive offsets, or negative air pressures caused by mechanical systems such as furnaces, fans, clothes dryers, etc.

This limited Lifetime Warranty does not apply to venting components, hearth components or other accessories used in conjunction with the installation of this product not manufactured by Aladdin Hearth Products.

This limited Lifetime Warranty is effective on all gas inserts sold after September 1, 1996, and supersedes any and all warranties currently in existence.

IMPORTANT

Completing and returning your warranty registration card will assist us in expediting any warranty claims. Please return the completed card within 10 days from the date of purchase to Aladdin Hearth Products, 401 North Wynne Street, Colville, WA 99114-2153. Proof of purchase is required to secure warranty.

Copyright Aladdin Hearth Products, August 1998

WARRANTY



**REMINGTON QFP40
Direct Vent Gas Fireplace
Owner's Manual**

Free Manuals Download Website

<http://myh66.com>

<http://usermanuals.us>

<http://www.somanuals.com>

<http://www.4manuals.cc>

<http://www.manual-lib.com>

<http://www.404manual.com>

<http://www.luxmanual.com>

<http://aubethermostatmanual.com>

Golf course search by state

<http://golfingnear.com>

Email search by domain

<http://emailbydomain.com>

Auto manuals search

<http://auto.somanuals.com>

TV manuals search

<http://tv.somanuals.com>