

SEARS
OWNERS
MANUAL

MODEL NO.
917.255741

Caution:
Read Rules for
Safe Operation
and Instructions
Carefully



12 H.P.
38" RIDING
LAWN TRACTOR
ELECTRIC START

Assembly
Installation
Operation
Repair Parts

CONGRATULATIONS on your purchase of a Sears Lawn Tractor. It has been designed, engineered and manufactured to give you the best possible dependability and performance. Should you experience any problem you cannot easily remedy, please contact your nearest Sears Service Department. They have competent, well-trained technicians and the proper tools to service or repair this unit.

Please read and retain this manual. The instructions will enable you to assemble, operate and maintain your Tractor properly. Always observe the "RULES FOR SAFE OPERATION".

MODEL _____
 NUMBER _____
 SERIAL _____
 NUMBER _____

THE MODEL AND SERIAL NUMBERS WILL BE FOUND ON THE MODEL PLATE ATTACHED TO THE FENDER.

YOU SHOULD RECORD BOTH MODEL AND SERIAL NUMBERS AND KEEP IN A SAFE PLACE FOR FUTURE REFERENCE.

LIMITED TWO YEAR WARRANTY ON ELECTRIC START RIDING EQUIPMENT

For two years from date of purchase, when this riding equipment is maintained, lubricated, and tuned up according to the operating and maintenance instructions in the owner's manual, Sears will repair free of charge any defect in material or workmanship in this electric start riding equipment.

This warranty excludes blade(s), blade adapter(s), spark plug(s), air cleaner(s) and belt(s), which are expendable and become worn during normal use.

This warranty does not cover:

- tire replacement or repair caused by punctures from outside objects (such as nails, thorns, stumps, or glass); and
- repairs necessary because of operator abuse or negligence, including the failure to maintain the equipment according to instructions contained in the owner's manual; and
- riding equipment used for commercial or rental purposes.

FULL 90-DAY WARRANTY ON BATTERY

For 90 days from the date of purchase, if any battery included with this riding equipment proves defective in material or workmanship and our testing determines the battery will not hold a charge, Sears will replace the battery at no charge.

WARRANTY SERVICE IS AVAILABLE BY CONTACTING THE NEAREST SEARS SERVICE CENTER/DEPARTMENT IN THE UNITED STATES. This warranty applies only while this product is in use in the United States.

This warranty gives you specific legal rights, and you may also have other rights which vary from state to state.

Sears, Roebuck and Co., D/698-731A, Sears Tower, Chicago, IL 60684

TABLE OF CONTENTS

RULES FOR SAFE OPERATION3	MAINTENANCE INSTRUCTIONS -MOWER12
ASSEMBLY INSTRUCTIONS4	MAINTENANCE INSTRUCTIONS - TRACTOR . .14
OPERATION INSTRUCTIONS - TRACTOR8	TROUBLE SHOOTING21
OPERATION INSTRUCTIONS - MOWER11	REPAIR PARTS24

RULES FOR SAFE OPERATION

WARNING: This unit is equipped with an internal combustion engine and should not be used on or near any unimproved forest-covered, brush-covered or grass-covered land unless the engine's exhaust system is equipped with a spark arrester meeting applicable local or state laws (if any). If a spark arrester is used, it should be maintained in effective working order by the operator.

In the State of California the above is required by law (Section 4442 of the California Public Resources Code). Other states may have similar laws. Federal laws apply on federal lands. See your Sears Authorized Service Center for spark arrester muffler part number 677V1.

1. Know the controls and how to stop quickly. **READ THIS OPERATOR'S MANUAL** and instructions furnished with attachments.
2. Do not allow children to operate the machine. Do not allow adults to operate it without proper instruction.
3. Do not carry passengers. Do not mow when children and others are around.
4. Always wear substantial footwear. Do not wear loose fitting clothing that could get caught in moving parts.
5. Keep your eyes and mind on your tractor, mower and the area being cut. Don't let other interests distract you.
6. Do not attempt to operate your tractor or mower when not in the drivers seat.
7. Always get on or off your tractor from the operators left hand side.
8. Clear the work area of objects (wire, rocks, etc.) which might be picked up and thrown.
9. Disengage all attachment clutches before attempting to start the engine.
10. Disengage power to attachments and stop the engine before leaving the operator's position.
11. Disengage power to mower, stop the engine and disconnect spark plug wire(s) from spark plug(s) before cleaning, making an adjustment or repairs.
12. Disengage power to attachments when transporting or not in use.
13. Take all possible precautions when leaving the vehicle unattended. Disengage the power-take-off, lower the attachments, shift into neutral, set the parking brake, stop the engine and remove the key.
14. Do not stop or start suddenly when going uphill or downhill. Mow up and down the face of slopes (not greater than 15°); never across the face. Refer to page 43.
15. Reduce speed on slopes and make turns gradually to prevent tipping or loss of control. Exercise extreme caution when changing direction on slopes.
16. While going up or down slopes, place Gear Shift Control Lever in 1st gear position to negotiate the slope without stopping.
17. Never mow in wet or slippery grass, when traction is unsure or at a speed which could cause a skid.
18. Stay alert for holes in the terrain and other hidden hazards. Keep away from drop-offs.
19. Do not drive too close to creeks, ditches and public highways.
20. Exercise special care when mowing around fixed objects in order to prevent the blades from striking them. Never deliberately run tractor or mower into or over any foreign object.
21. Never shift gears until tractor comes to a stop.
22. Never place hands or feet under the mower, in discharge chute or near any moving parts while tractor or mower are running. Always keep clear of discharge chute.
23. Use care when pulling loads or using heavy equipment.
 - a. Use only approved drawbar hitch points.
 - b. Limit loads to those you can safely control.
 - c. Do not turn sharply. Use care when backing.
 - d. Use counterweight or wheel weights when suggested in the owner's manual.
24. Watch out for traffic when crossing or near roadways.
25. When using any attachments, never direct discharge of material toward bystanders nor allow anyone near the vehicle while in operation.
26. Handle gasoline with care - it is highly flammable.
 - a. Use approved gasoline containers.
 - b. Never remove the fuel cap of the fuel tank or add gasoline to a running or hot engine or an engine that has not been allowed to cool for several minutes after running. Never fill the tank indoors, always clean up spilled gasoline.
 - c. Open doors if the engine is run in the garage - exhaust fumes are dangerous. Do not run the engine indoors.
27. Keep the vehicle and attachments in good operating condition, and keep safety devices in place and working.
28. Keep all nuts, bolts and screws tight to be sure the equipment is in safe working condition.
29. Never store the equipment with gasoline in the tank inside a building where fumes may reach an open flame or spark. Allow the engine to cool before storing in any enclosure.
30. To reduce fire hazard, keep the engine free of grass, leaves or excessive grease. Do not clean product while engine is running.
31. Except for adjustment; **DO NOT** operate Engine if air cleaner or cover directly over carburetor air intake is removed. Removal of such part could create a fire hazard.
32. Do not operate without a muffler or tamper with the exhaust system. Damaged mufflers or spark arresters could create a fire hazard. Inspect periodically and replace if necessary.
33. The vehicle and attachments should be stopped and inspected for damage after striking a foreign object and the damage should be repaired before restarting and operating the equipment.
34. Do not change the engine governor settings or overspeed the engine; severe damage or injury may result.
35. When using the vehicle with mower, proceed as follows:
 - a. Mow only in daylight or in good artificial light
 - b. Shut the engine off when unclogging chute.
 - c. Check the blade mounting bolts for proper tightness at frequent intervals.
36. Do not operate the mower without the deflector shield in place.
37. Disengage power to mower before backing up. Do not mow in reverse unless absolutely necessary and then only after careful observation of the entire area behind the mower.
38. Under normal usage the grass catcher bag material is subject to deterioration and wear. It should be checked frequently for bag replacement. Replacement bags should be checked to ensure compliance with the original manufacturer's recommendations or specifications.



LOOK FOR THIS SYMBOL TO POINT OUT IMPORTANT SAFETY PRECAUTIONS. IT MEANS - ATTENTION! BECOME ALERT! YOUR SAFETY IS INVOLVED.

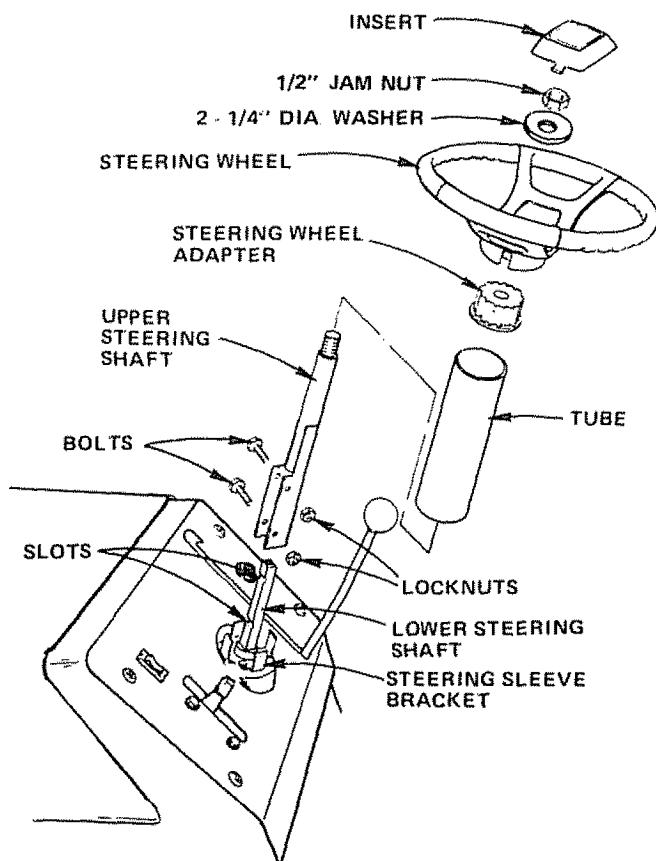


FIGURE 1

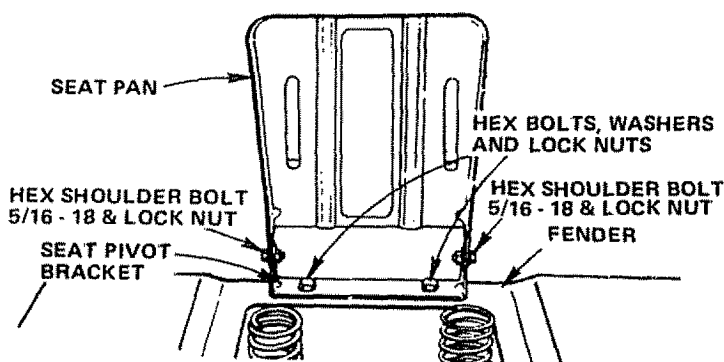


FIGURE 2

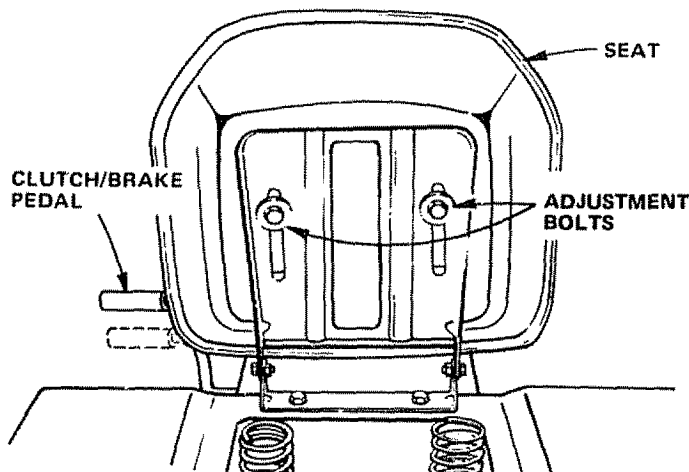


FIGURE 3

To assemble your Tractor you will need:

two 7/16" wrenches, two 9/16" wrenches, two 1/2" wrenches, a 3/4" wrench and a utility knife

NOTE: RIGHT HAND (R.H.) AND LEFT HAND (L.H.) ARE DETERMINED FROM OPERATOR'S POSITION WHILE SEATED ON THE TRACTOR

ASSEMBLY

1. Cut down carton at four corners, fold down carton, Remove Bag of Parts. Remove tractor from skid.
2. Slide Upper Steering Shaft over Lower Steering Shaft until bolt holes line up with slots in Lower Steering Shaft (Fig. 1).
3. Use two Hex Bolts 3/8 - 16 x 1 - 1/4 and two Locknuts 3/8 - 16 to retain Upper Steering Shaft to Lower Steering Shaft. Tighten securely.
4. Slide Tube over Steering Shaft Assembly and over Steering Sleeve Bracket.
5. Place Steering Wheel Adapter on Upper Steering Shaft.
6. With front wheels pointed straight ahead, place Steering Wheel on Steering Wheel Adapter. Bars of Steering Wheel should point straight across tractor.
7. Place 2 - 1/4" Dia. Washer on Upper Steering Shaft and install a 1/2" Nut. Tighten securely.
8. Snap Insert into Steering Wheel.
9. Remove plastic on Tractor Hood.

SEAT INSTALLATION

1. Mount Seat Pivot Bracket to Fender using two Hex Bolts 3/8 - 16 x 3/4, two Washers 13/32 x 3/4 x 10 Ga, and two Crownlock Nuts 3/8 - 16 (Fig. 2). NOTE: WASHERS SHOULD BE POSITIONED UNDER FENDER NEXT TO NUTS. Seat Pivot Bracket, Bolts, Washers and Nuts found in Bag of Parts. Tighten Nuts securely.
2. Mount Seat Pan to Seat Pivot Bracket using two Shoulder Bolts 5/16 - 18 and two Lock Nuts 5/16 - 18 (Fig. 2) (head of Bolts to outside). Bolts and Lock Nuts found in Bag of Parts. Tighten Nuts securely.
3. Place Seat on Seat Pan. Screw Adjustment Bolts, Lockwashers and Flat Washers into Seat (Fig. 3). Adjustment Bolts, Lockwashers and Flat Washers found in Bag of Parts. Tighten finger tight.
4. Place Seat in operating position. Sit on the Seat and press Clutch-Brake Pedal all the way down. If operating position is not comfortable, adjust Seat.
5. Raise Seat. Use 9/16" wrench to loosen Adjustment Bolts (Fig. 3). When adjusted for comfortable operation, tighten Adjustment Bolts securely.

BATTERY INSTALLATION

WEAR EYE AND FACE SHIELD.



WASH HANDS OR CLOTHING IMMEDIATELY IF ACCIDENTALLY IN CONTACT WITH ELECTROLYTE.

DO NOT SMOKE, FUMES FROM CHARGED ELECTROLYTE ARE EXPLOSIVE.

1. Fill and charge Battery (before installing). NOTE: SEE DETAILED INSTRUCTIONS PACKAGED WITH BATTERY.
 - a. Fill Battery with electrolyte to bottoms of tubes in cells (Fig. 4). NOTE: DO NOT OVERFILL. OVERFILLING WILL RESULT IN DAMAGE TO TRACTOR.
 - b. Check level of electrolyte after 30 minutes. Add additional electrolyte if necessary. NOTE: TIGHTEN VENT CAPS SECURELY.
 - c. Charge Battery at a rate not exceeding three amperes for about two and one half hours.
 - d. Neutralize excess electrolyte for disposal by adding it to four inches of water in a five gallon plastic container. Stir with a wooden or plastic paddle while adding baking soda until the addition of more soda causes no more foaming.

DO NOT SHORT BATTERY TERMINALS.



BEFORE INSTALLING BATTERY, REMOVE METAL BRACELETS, WRISTWATCH BANDS, RINGS, ETC. FROM YOUR PERSON.

2. Position Battery in tractor as follows:
 - a. Lift Seat (Fig. 5).
 - b. Lower Battery into Fender Well with Battery Terminals toward front of tractor (Fig. 5). Make sure Battery rests in Battery Tray (Fig. 6).

NOTE: BE SURE BATTERY DRAIN TUBE IS SECURELY ATTACHED TO BATTERY TRAY DRAIN.

3. Connect Battery Cables using: two Hex Bolts, two Flat Washers, two Lockwashers and two Hex Nuts (shown full size below) found in Bag of Parts.



POSITIVE TERMINAL MUST BE CONNECTED FIRST TO PREVENT SPARKS FROM ACCIDENTAL GROUNDING

- a. Connect RED Battery Cable to Positive (+) Battery Terminal with Hex Bolt, Flat Washer, Lockwasher and Hex Nut (Fig. 6). Tighten securely.
- b. Connect BLACK Ground Cable to Negative (-) Battery Terminal with remaining Hex Bolt, Flat Washer, Lockwasher and Hex Nut (Fig. 6). Tighten securely.

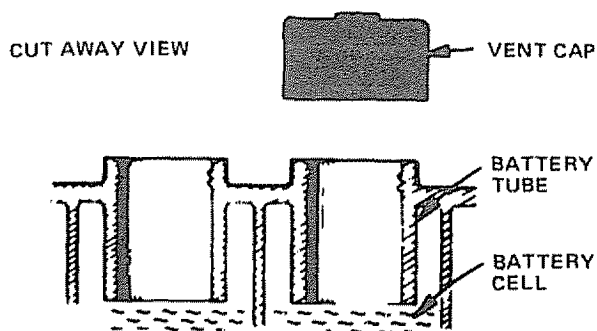


FIGURE 4

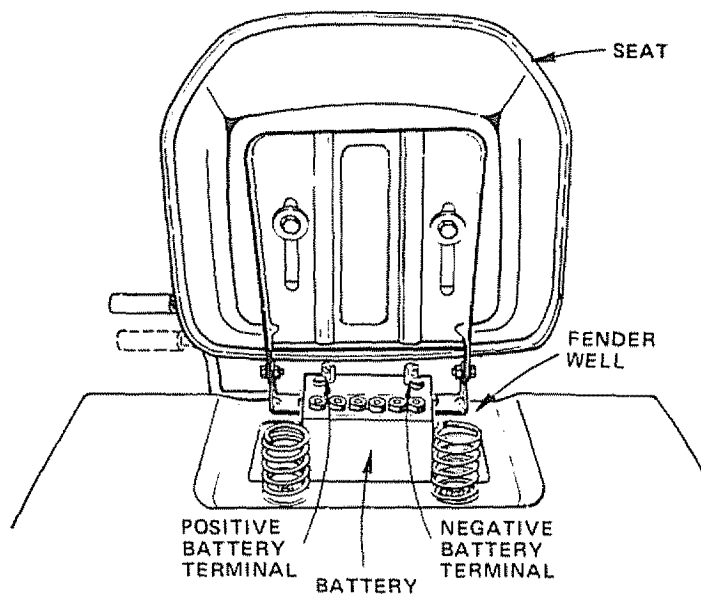


FIGURE 5

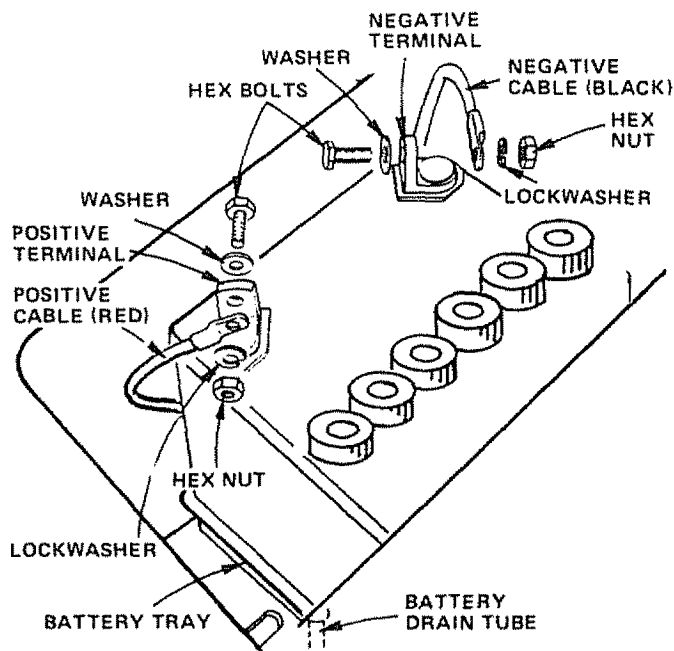


FIGURE 6

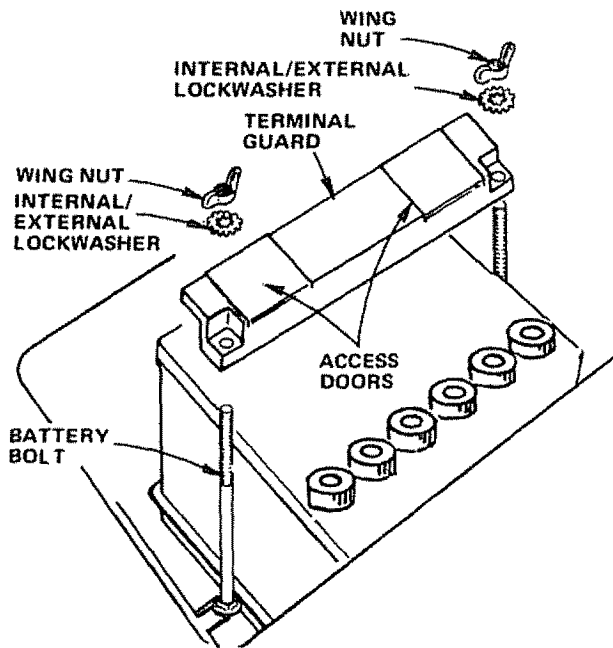


FIGURE 6A

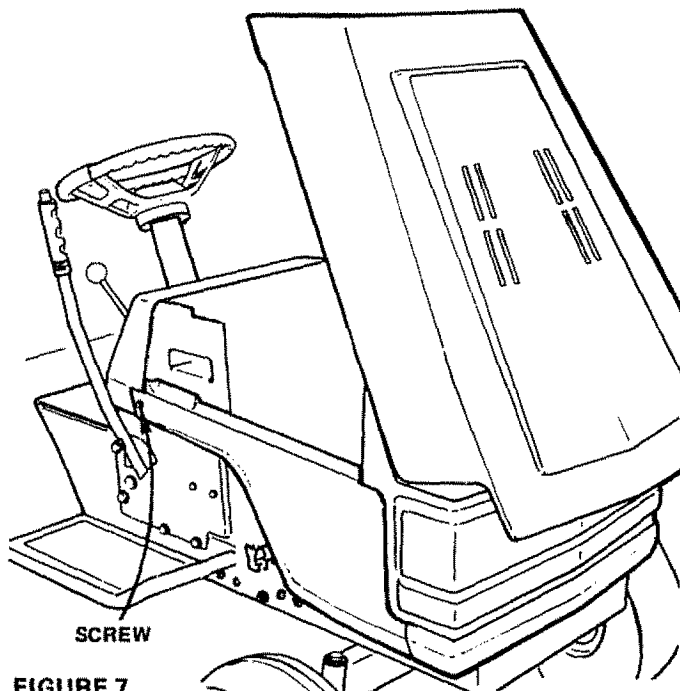


FIGURE 7

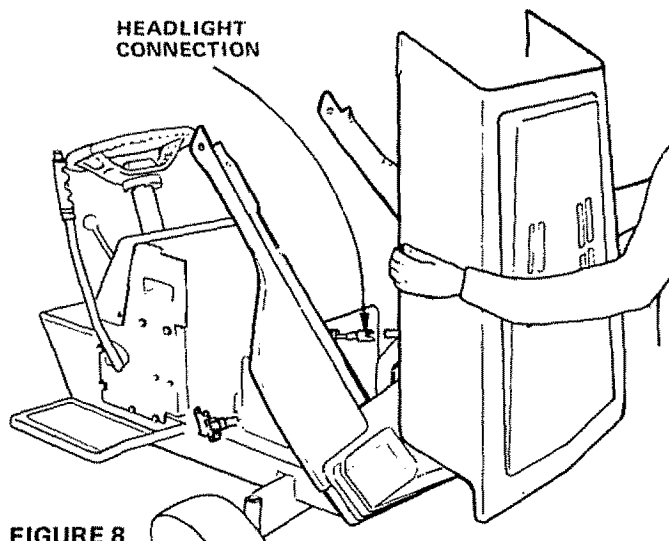
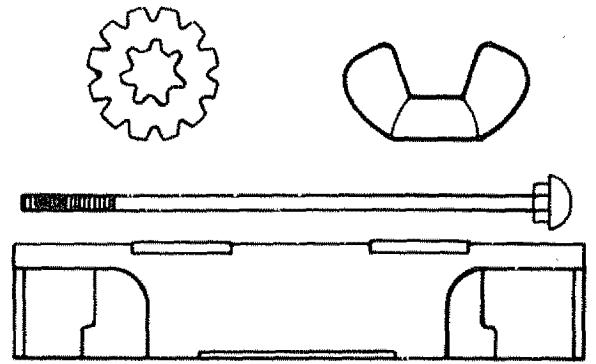


FIGURE 8

4. Install Battery using: two Int./Ext. Lockwashers, two Wing Nuts (shown full size below) and



two Battery Bolts and one Terminal Guard found in Bag of Parts.

- a. Using the slot on one side of the Battery Support (Fig. 6A) slide Battery Bolt into Frame Slot (head of Bolt down). Fasten the Battery Bolt to the Terminal Guard using Int./Ext. Lockwasher and Wing Nut as shown in Fig. 6A.
- b. Assemble the remaining Battery Bolt to other side of Battery Support and fasten Terminal Guard to it with remaining Int./Ext. Lockwasher and Wing Nut. Tighten Wing Nuts securely by hand (Fig. 6A).

NOTE: USE TERMINAL ACCESS DOORS (FIG. 6A) FOR:

1. Inspection for secure connections (tighten hardware).
2. Inspection for corrosion.
3. Testing battery.
4. Jumping (if required).
5. Charging (if required).



WHEN NOT IN USE, KEEP TERMINAL ACCESS DOORS CLOSED.

NOTE: DO NOT START ENGINE UNTIL INITIAL SERVICE HAS BEEN PERFORMED.

INITIAL ADJUSTMENTS

1. TIRE PRESSURE

Reduce Tire pressure to 14 PSI in front tires; 12 PSI in rear tires. (Tires were overinflated for shipping).

2. HOOD

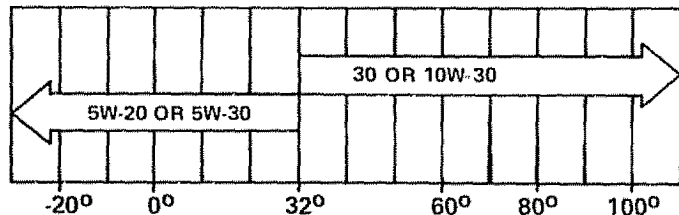
- a. To raise Hood, lift at rear of Hood.
- b. Unsnap Headlight Connection (Fig. 8).
- c. To remove Hood, Grill and Side Panels, raise Hood and loosen one screw on each Side Panel. (The screw remains in the Side Panel) (Fig. 7).
- d. Stand in front of Tractor. Grasp Hood and tilt forward and lift off (Fig. 8).
- e. To reinstall, reverse above procedure.

INITIAL SERVICE

NOTE: BE CAREFUL NOT TO ALLOW DIRT TO ENTER THE ENGINE WHEN CHECKING OR ADDING OIL OR FUEL.

1. Open Hood.
2. Check Engine Oil Level with Tractor on level ground. Remove and wipe Dipstick (Fig. 9) clean, screw it in tight for a few seconds, remove and read Oil Level. If necessary, add Oil until "FULL" mark is reached.

RECOMMENDED SAE VISCOSITY GRADES



TEMPERATURE RANGE EXPECTED BEFORE NEXT OIL CHANGE. ALL OILS MUST MEET A.P.I. SERVICE CLASSIFICATION SD, SE, OR SF.

Capacity is 2 pints. NOTE: DO NOT OVERFILL. Dipstick assembly must be securely tightened into tube at all times when engine is operating.

3. Fill Fuel Tank (Fig. 9). Use fresh, clean, unleaded automotive gasoline. (Leaded "Regular" grade gasoline is not an acceptable substitute. Use of leaded gasoline will increase carbon and lead oxide deposits and reduce valve life). Capacity is 5 quarts.

WARNING: DO NOT USE GASOHOL OR METHANOL. These type fuels react with water content in the fuel and tend to form strong acids which can corrode metal parts and harm rubber and plastics.



FILL TO BOTTOM OF GAS TANK FILLER NECK. DO NOT OVERFILL. WIPE OFF ANY SPILLED OIL OR FUEL. DO NOT STORE, SPILL OR USE GASOLINE NEAR AN OPEN FLAME.

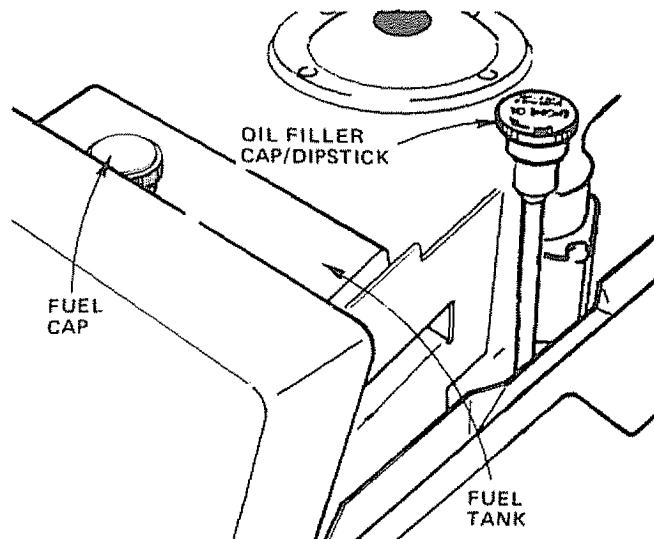
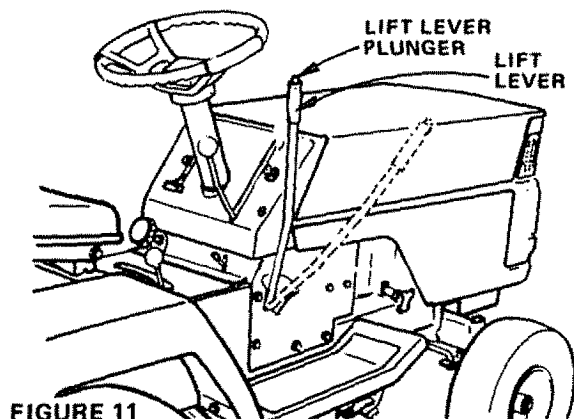
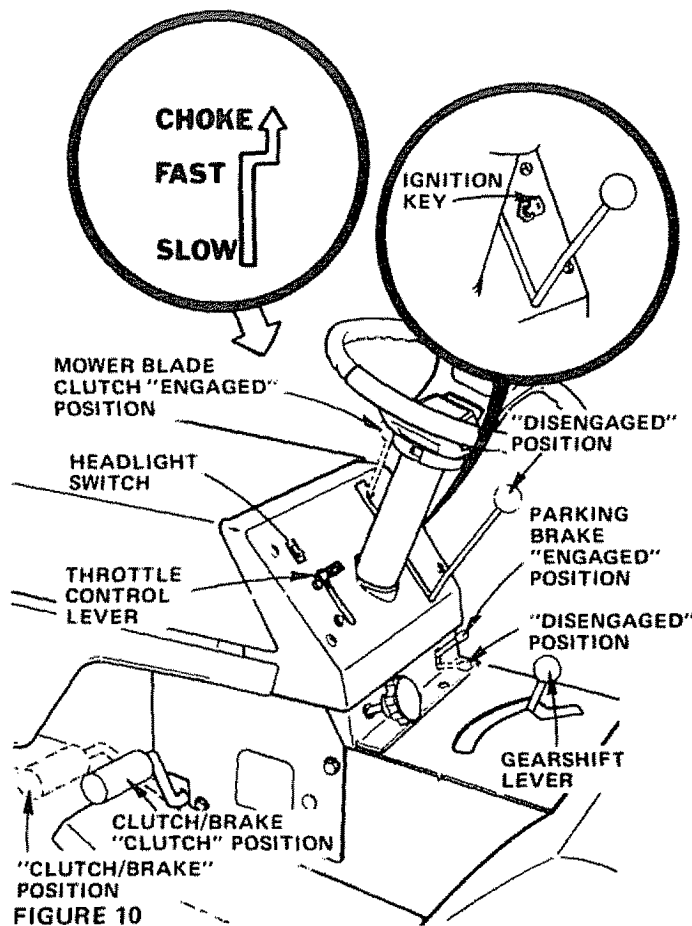


FIGURE 9



OPERATION

NOTE: MOWER OPERATION IS LISTED ON PAGE 11.



THIS TRACTOR IS EQUIPPED WITH INTERLOCK SWITCHES TO PREVENT STARTING OF THE TRACTOR ENGINE WHILE THE MOWER BLADE CLUTCH LEVER IS IN THE "ENGAGED" POSITION AND/OR THE FOOT PEDAL IS NOT FULLY DEPRESSED. IMMEDIATELY REPLACE SWITCHES THAT ARE NOT IN PROPER WORKING ORDER. DO NOT ATTEMPT TO DEFEAT THE PURPOSE OF THESE SWITCHES.

LEARN TO START, STOP AND REVERSE YOUR TRACTOR IN A LARGE, OPEN AREA.



CAUTION TO AVOID INJURY

1. Read owners manual.
2. Know location and function of all controls.
3. Keep guards, safety shields and switches in place and working.
4. Remove objects that can be thrown by blades.
5. Do not mow when children and others are around.
6. Never carry children or passengers.
7. Always look behind machine before backing.
8. Do not mow where machine can tip or slip.
9. If machine stops going uphill, stop blade and back slowly down.
10. Be sure blades and engine have stopped before placing hands or feet near the blades.
11. Remove key when leaving machine.



DO NOT ADD ADDITIONAL WEIGHT TO THE TRACTOR OTHER THAN THE OPTIONAL WHEEL WEIGHTS. EXCESSIVE WEIGHT MAY OVERLOAD AND DAMAGE THE TRANSMISSION.

STARTING THE ENGINE

1. Disengage Mower Blade Clutch Lever (Fig. 10).
 2. Depress Clutch/Brake Pedal fully.
 3. Place Gear Shift Lever in "NEUTRAL" position (Fig. 10).
 4. Move Throttle Control Lever (Fig. 10) to "FAST" detent, then to the right and upward for "CHOKE" position. At the "FAST" position the Lever has a stop. The stop is provided so that you will know when you are at full throttle "FAST" position and prevent over travel into choke position.
 5. Turn Ignition Key clockwise (↻) to "START" position and release Key as soon as engine starts (Fig. 10). Immediately move Throttle Control Lever mid-way between "FAST" and "SLOW" positions.
- NOTE: DO NOT RUN STARTER CONTINUOUSLY FOR MORE THAN FIFTEEN SECONDS PER MINUTE. If Engine does not start after several attempts, move Throttle Control Lever mid-way between "FAST" and "SLOW" positions, wait a few minutes and try again.



ALWAYS WEAR SUBSTANTIAL FOOTWEAR AND AVOID LOOSE FITTING CLOTHING THAT COULD GET CAUGHT IN MOVING PARTS.

WARMING UP THE ENGINE

Move Throttle Control Lever mid-way between "FAST" and "SLOW" positions (Fig. 10). As engine warms up, move Throttle Control Lever to "FAST" position. NOTE: ALLOW ENGINE TO WARM UP FOR A FEW MINUTES BEFORE OPERATING.

When restarting a warm engine, move Throttle Control Lever to "FAST" position, "CHOKE" may not have to be used.

MOWER INSTALLATION

Your 38" Mower installs without the use of tools. Raise Lift Lever (Fig. 11) to its highest position. Turn Depth Adjustment Knob to lowest position (Fig. 14).

1. Install Front Hinge Pin through Axle and Parallel Link (Fig. 12). Secure with Retainer Spring.
 2. Install Rear Hinge Pin through Mower Lift Brackets and Parallel Link (Fig. 12). Secure with Retainer Spring.
 3. Install Clutch Rod in Clutch Lever (Fig. 13 - Inset).
 4. Move Lift Lever (Fig. 11) forward to lower Suspension Arms. Slide Trunnions through Lift Bracket holes and secure with Retainer Springs (Fig. 13).
 5. Roll Belt over Mower Drive Pulley. Make sure Belt is inside Belt Guides (Fig. 14). See Belt Drive Schematic Decal on Mower Housing.
 6. Use Lift Lever (Fig. 11) to raise mower.
- NOTE: SEE MOWER ADJUSTMENT, BELOW.
7. Turn Depth Adjustment Knob clockwise (↻) to the middle of it's travel.

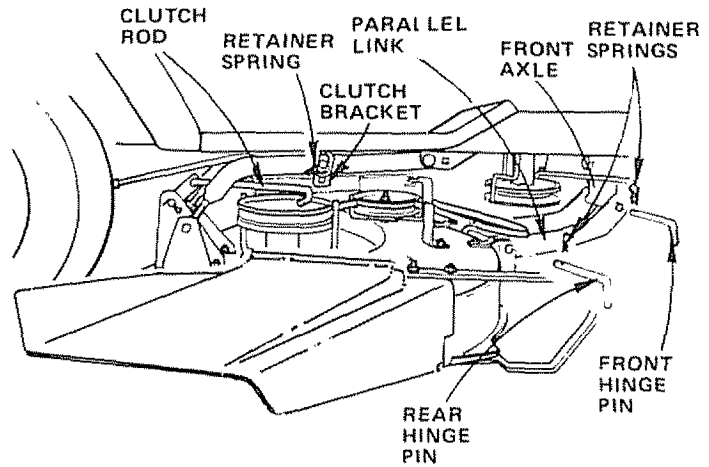


FIGURE 12

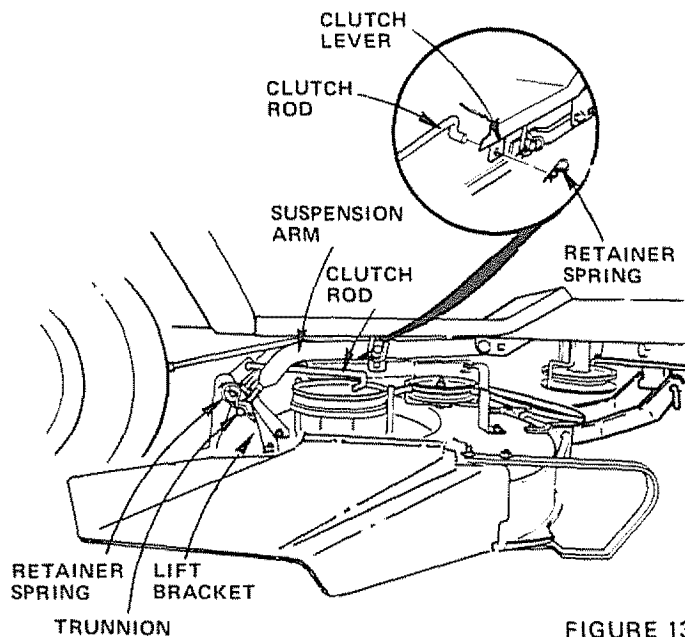


FIGURE 13

MOWER ADJUSTMENT

FOR ANY ADJUSTMENTS, INSPECTION OR MAINTENANCE:

PUSH TRACTOR CLUTCH-BRAKE PEDAL COMPLETELY INTO BRAKE POSITION. MOVE GEAR SHIFT LEVER TO "N" NEUTRAL POSITION. PLACE PARKING BRAKE IN "ENGAGED" POSITION. SHUT OFF THE ENGINE. PLACE MOWER BLADE CLUTCH LEVER IN "ENGAGED" POSITION. MAKE ABSOLUTELY SURE THE BLADES AND ALL MOVING PARTS HAVE COMPLETELY STOPPED, REMOVE THE IGNITION KEY, DISCONNECT THE SPARK PLUG WIRE FROM THE SPARK PLUG AND KEEP WIRE AWAY FROM THE PLUG TO PREVENT INJURY FROM ACCIDENTAL STARTING.



NOTE: BEFORE CHECKING THE SIDE TO SIDE AND FRONT TO REAR ADJUSTMENTS, PAGE 10, BE SURE PRESSURE IN FRONT TIRES IS 14 PSI AND PRESSURE IN REAR TIRES IS 12 PSI IF TIRES ARE OVER OR UNDER INFLATED YOU WILL NOT PROPERLY ADJUST YOUR MOWER.

DEPTH ADJUSTMENT

Adjustment for mower height is made with the Depth Adjustment Knob. Raise Mower cutting height by turning Depth Adjustment Knob clockwise (↻). Lower Mower cutting height by turning Depth Adjustment Knob counterclockwise (↺).

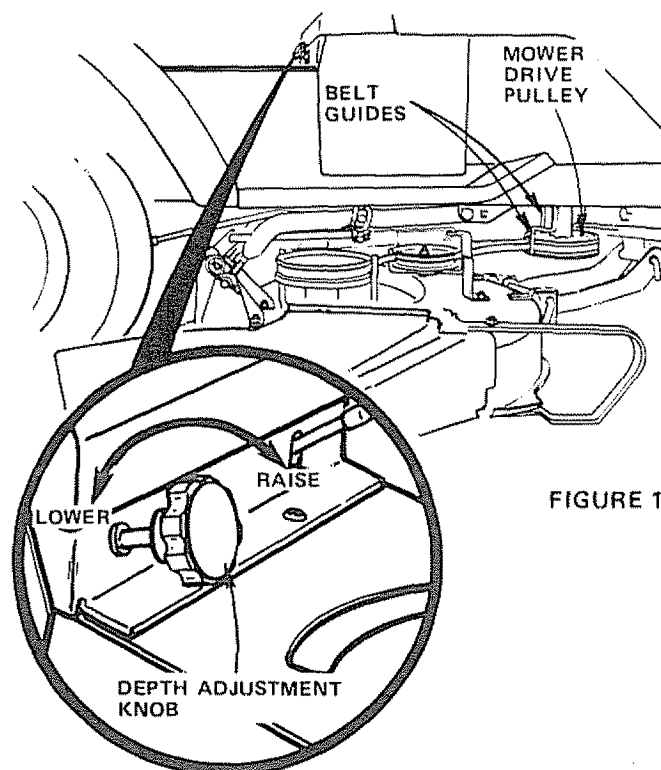


FIGURE 14

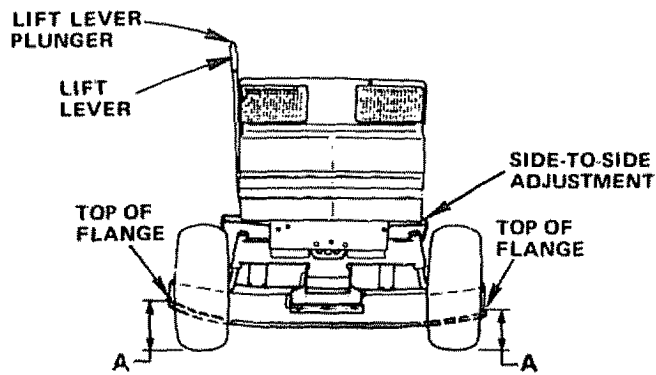


FIGURE 15

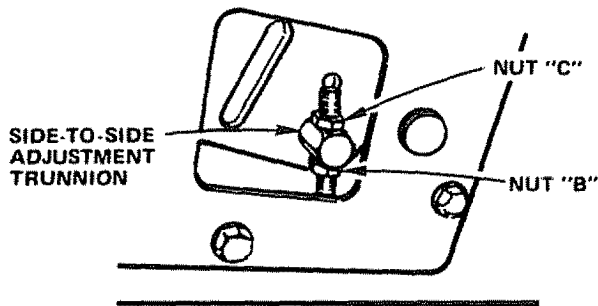


FIGURE 16

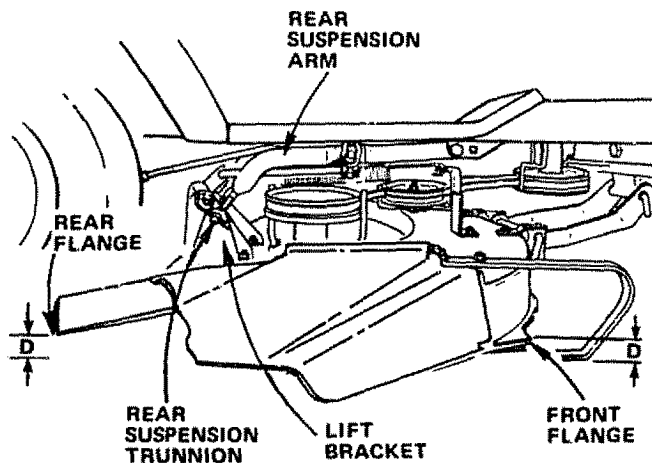


FIGURE 17

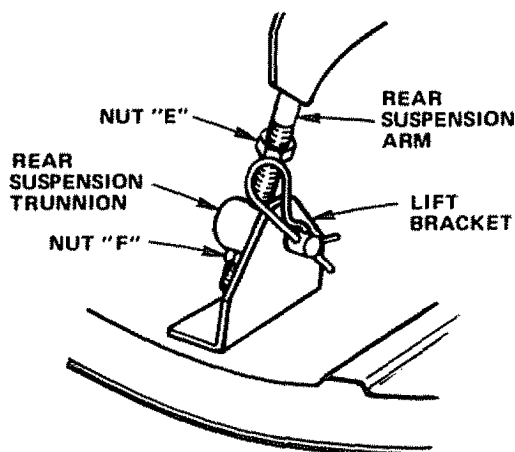


FIGURE 18

LEVEL MOWER FROM SIDE TO SIDE

SEE MOWER ADJUSTMENT, PAGE 9.

1. Park tractor on level surface. Depress Lift Lever Plunger and use Lift Lever to raise mower to maximum cutting height.
2. Measure height of Top of Flange to level surface at front of mower. Distance "A" should be the same (Fig. 15).
3. If distance "A" needs to be changed, snap out Access Hole Cover on L.H. side above Footrest. Use 9/16" wrench on Nuts "B" and "C" at Side-To-Side Adjustment Trunnion (Fig. 16).
4. To raise left side of mower, loosen Nut "B" and tighten Nut "C".
5. To lower left side of mower, loosen Nut "C" and tighten Nut "B".
NOTE: ONE ROTATION OF ADJUSTMENT NUTS IS EQUIVALENT TO APPROXIMATELY 3/16" HEIGHT CHANGE.
6. Be sure all nuts are securely tightened.
NOTE: SEE MOWER ADJUSTMENT, FRONT-TO-REAR, BELOW.

ADJUST MOWER FROM FRONT TO REAR

1. To obtain the best cutting results, your Mower Housing should be adjusted so the Front and Rear Flange distance "D" (Fig. 17) is 5/16" lower in front when the mower is positioned in the highest cutting position. NOTE: MEASURE DISTANCE "D" FROM SURFACE TO RIGHT REAR FLANGE AND COMPARE TO DISTANCE "D" AT RIGHT FRONT FLANGE.
2. To raise rear of mower, loosen Nut "E" on both Rear Suspension Arms. Screw both Nuts "F" up EQUAL NUMBER OF TURNS (Fig. 18).
3. When distance "D" is 5/16" lower at front than rear, tighten Nut "E".
4. To lower rear of mower, loosen Nut "F" on both Rear Suspension Arms an EQUAL NUMBER OF TURNS (Fig. 18).
5. When distance "D" is 5/16" lower at front than rear, re-tighten Nuts "E".

NOTE: WHEN ADJUSTING REAR SUSPENSION TRUNNIONS, ALWAYS ADJUST BOTH EQUALLY SO MOWER WILL STAY LEVEL.

OPERATION - MOWER



READ THE "RULES FOR SAFE OPERATION" CAREFULLY BEFORE OPERATING YOUR MOWER.

THE MOWER MUST BE ADJUSTED PROPERLY FROM FRONT TO REAR AND LEVELED FROM SIDE TO SIDE BEFORE OPERATING. THIS IS NECESSARY FOR LEVEL AND EFFICIENT MOWING. REFER TO PAGE 10.

1. Place Mower Blade Clutch Lever in "DISENGAGED" position (Fig. 19).
2. Push tractor Clutch-Brake Pedal fully into brake position.
3. Place Gear Shift Lever in "NEUTRAL" position

NOTE: TRACTOR MUST HAVE FOOT PEDAL DEPRESSED AND MOWER BLADE CLUTCH LEVER IN "DISENGAGED" POSITION BEFORE TRACTOR WILL START.

4. Start tractor and set engine speed to about 1/3 to 1/2 throttle before engaging mower. After mower is "ENGAGED" and you have started forward travel, set to FULL THROTTLE.

NOTE: "ENGAGE" OR "DISENGAGE" MOWER BLADE CLUTCH LEVER SLOWLY.



NEVER "ENGAGE" MOWER EXCEPT WHEN SITTING ON TRACTOR SEAT.

NOTE: ALWAYS MOW WITH THROTTLE CONTROL IN "FAST" POSITION. THIS RESULTS IN BETTER GRASS CUT, BETTER ENGINE COOLING, AND BETTER FUEL ECONOMY.

5. Use Lift Lever to lower mower into cutting position. Start mowing in the first gear and increase ground speed as conditions will permit. Average cutting height is approximately 2 - 1/2 to 2 - 3/4 inches. Height of cut can be adjusted by means of the Depth Adjustment Knob (Fig. 19). Moving the Knob clockwise (↻) raises the mower (Fig. 14 - Inset). Moving the Knob counterclockwise (↺) lowers the mower.
6. Drive so that clippings are discharged onto the area that has been cut. Have the cut area to the right of the machine. This will result in a more even distribution of clippings and more uniform cutting. When mowing large areas (Fig. 20) start by turning to the right so that the clippings will be discharged away from shrubs, fences, driveways, etc. After two or three rounds, mow in the opposite direction making left hand turns until finished. If grass is extremely tall, it should be mowed twice. The first time cut relatively high. The second time to the desired height. The left hand side of mower should be used for trimming.

FLIP-UP DISCHARGE GUARD

Your mower has a flip-up Discharge Guard (Fig. 19) for door or gate clearance when held in raised position.



MAKE SURE MOWER BLADE CLUTCH LEVER IS IN "DISENGAGED" POSITION AND BLADES HAVE STOPPED BEFORE RAISING DISCHARGE GUARD (DEFLECTOR). NEVER OPERATE MOWER WITHOUT DISCHARGE GUARD IN OPERATING POSITION.

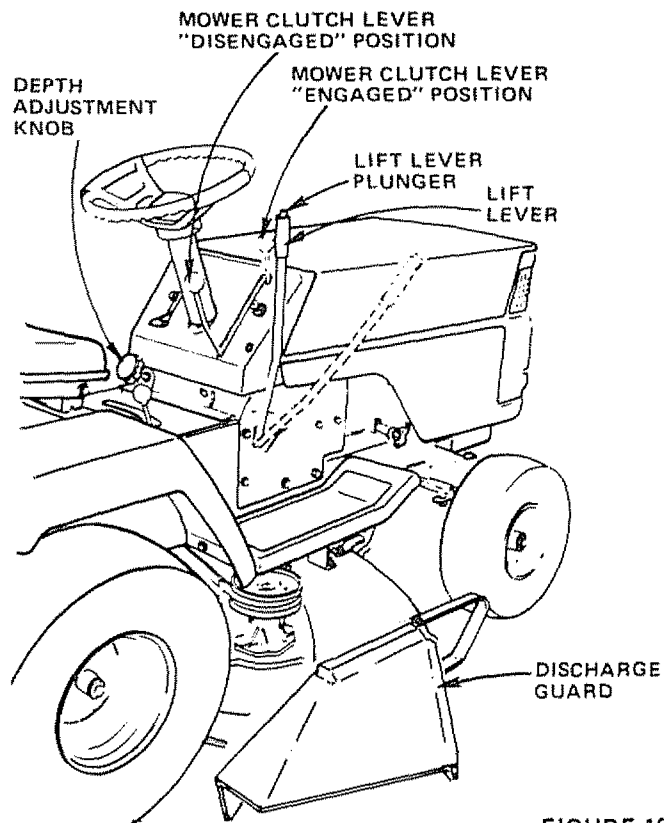


FIGURE 19

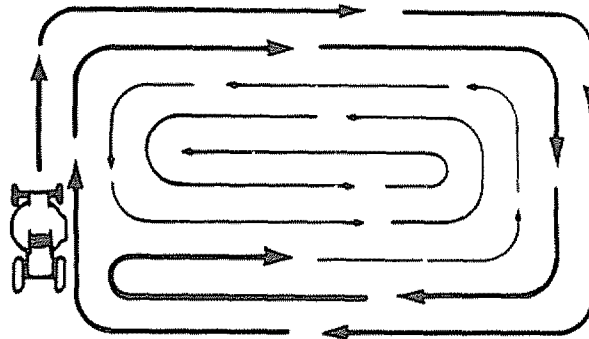


FIGURE 20

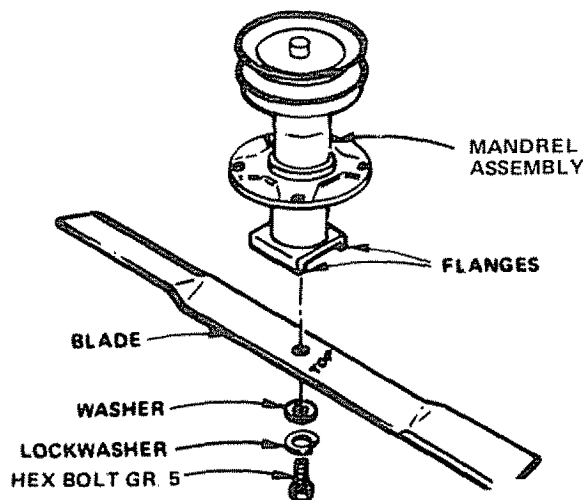


FIGURE 21

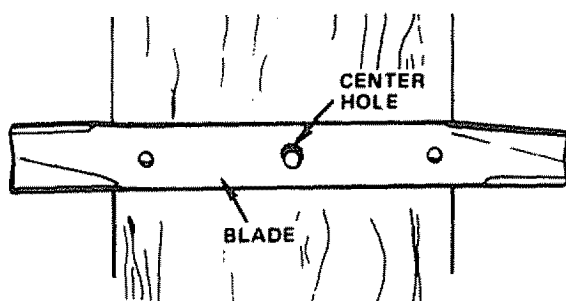


FIGURE 22

MAINTENANCE - MOWER

FOR ANY ADJUSTMENTS, INSPECTION OR MAINTENANCE:

PUSH TRACTOR CLUTCH-BRAKE PEDAL COMPLETELY INTO BRAKE POSITION. PLACE PARKING BRAKE IN "ENGAGED" POSITION. MOVE GEAR SHIFT LEVER TO "NEUTRAL" POSITION. PLACE MOWER BLADE CLUTCH LEVER IN "DISENGAGED" POSITION. TURN IGNITION KEY TO "OFF" POSITION. MAKE ABSOLUTELY SURE THE BLADES AND ALL MOVING PARTS HAVE COMPLETELY STOPPED. REMOVE THE IGNITION KEY, DISCONNECT THE SPARK PLUG WIRE FROM THE SPARK PLUG AND KEEP WIRE AWAY FROM THE PLUG TO PREVENT INJURY FROM ACCIDENTAL STARTING.



BLADE CARE

For best results mower blades must be kept sharp. The blades can be sharpened with a few strokes of a file or on a grinding wheel. We suggest they be sharpened after every 15 hours of mowing. Do not attempt to sharpen while on mower.

1. When grinding, care should be taken to maintain blade balance and the blade should be checked for proper balance before reinstallation on mower. Unbalanced or bent blade will cause excessive vibration when running, and eventual damage to mower or engine. Replace bent, damaged or unbalanced blades.

To check Blade balance, drive a nail into a beam or wall. Leave about one inch of the straight nail exposed. Place Center Hole of clean Blade over the head of the nail (Fig. 22). NOTE: CENTER HOLE OF BLADE ON NAIL. IF BLADE IS PROPERLY BALANCED, BLADE SHOULD REMAIN IN POSITION SHOWN IN FIG. 22. IF EITHER END OF THE BLADE MOVES DOWNWARD, BLADE IS NOT BALANCED AND MUST BE REPLACED.

2. To ensure satisfactory operation, it is recommended that before the start of each mowing season, the old blades be discarded and replaced with new blades. Mower blades can be purchased at any Sears Service Center/Departments and most Sears Retail Stores.

DAILY MAINTENANCE

Make sure all nuts on bolts are tight and cotter pins and retainers are secure. Keep blades sharp. Observe all safety precautions. Keep mower well lubricated (refer to page 22).

CLEANING MOWER



DISCONNECT SPARK PLUG WIRE TO PREVENT ACCIDENTAL STARTING BEFORE CLEANING.

Water pressure from a garden hose will remove fresh clippings from underside of mower. Clean mower after each mowing.

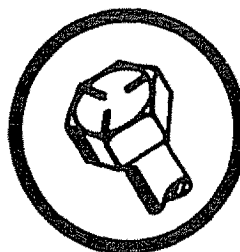
BLADE REPLACEMENT

Raise Mower to highest position to permit access to Blades.

1. Remove Bolt, Lockwasher and Washer (Fig. 21) (turn counterclockwise (↺)).
2. Place new Blade between Flanges, (the word "TOP" is stamped on all Blades to assure proper installation), and secure with Washer, Lockwasher and Bolt previously removed. TIGHTEN SECURELY.



ALWAYS USE GRADE 5 HEAT TREATED BOLTS TO ATTACH BLADES. CHECK BOLTS IN BLADES OCCASIONALLY TO MAKE SURE BOLTS ARE TIGHT. TORQUE BOLTS 30 - 35 FT. LBS.



A GRADE 5 HEAT TREATED BOLT CAN BE IDENTIFIED BY THREE LINES ON THE BOLT HEAD AS SHOWN AT LEFT.

TRACTOR OPERATION

1. Depress Lift Lever Plunger at top of Mower Lift Lever and move Lever rearward to its "HIGHEST" position (Fig. 23).
2. With engine running and warm, place Throttle Control Lever midway between "FAST" and "SLOW" position.
3. Move Gear Shift Lever to "1ST" Gear (Fig. 24).
4. Release Clutch-Brake Pedal SLOWLY to start forward movement.
5. If ground travel is too slow, move Throttle Control Lever to "FAST" position or press Clutch-Brake Pedal to stop and shift to a different gear. NOTE: ALWAYS SELECT A GROUND TRAVEL SPEED THAT WILL SUIT THE TERRAIN AND THE ATTACHMENT BEING USED. NEVER CHANGE GEARS WHILE TRACTOR IS MOVING.

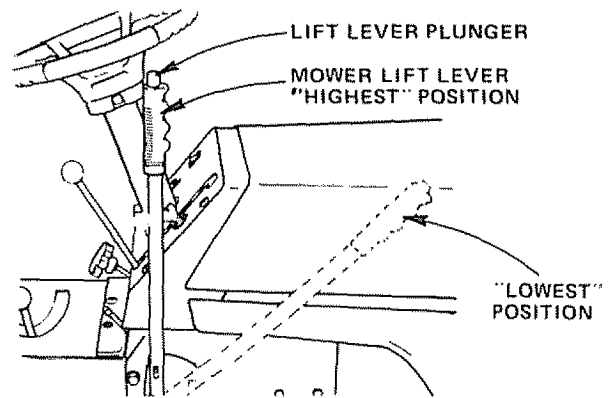


FIGURE 23

MAKE SURE PARKING BRAKE WILL HOLD TRACTOR SECURE



NEVER PLACE YOUR HANDS OR FEET IN OR UNDER ANY POWERED ATTACHMENT OR NEAR ANY MOVING PART WHILE TRACTOR OR ANY POWERED ATTACHMENT IS RUNNING.

NOTE: ALWAYS OPERATE ENGINE AT FULL THROTTLE WHEN MOWING TO ASSURE BETTER MOWING PERFORMANCE. LONG ENGINE LIFE AND PROPER DISCHARGE OF CUT MATERIAL REGULATE GROUND SPEED BY SELECTING A LOW ENOUGH GEAR (FIG. 24) TO GIVE THE MOWER CUTTING PERFORMANCE PLUS QUALITY OF CUT DESIRED.



DO NOT OPERATE THE MOWER WITHOUT THE DEFLECTOR SHIELD (DISCHARGE GUARD) IN PLACE.

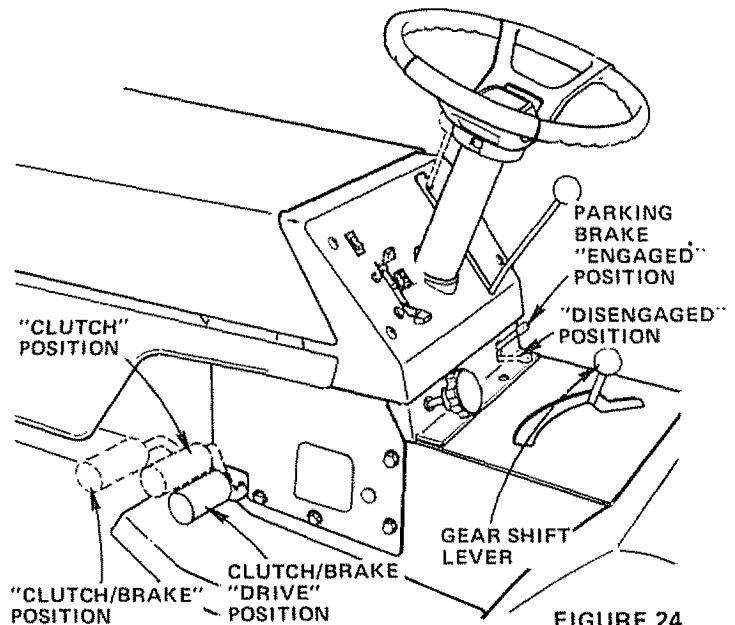


FIGURE 24

TRACTOR OPERATION ON HILLS



DO NOT DRIVE UP OR DOWN HILLS WITH SLOPES GREATER THAN 15° AND DO NOT DRIVE ACROSS ANY SLOPE. REFER TO PAGE 43.

1. Move Gear Shift Lever to "1ST" Gear before starting up or down hills.
2. **AVOID STOPPING OR SHIFTING ON HILLS.**
 - a. If slowing is necessary, move Throttle Control Lever to slower position.



LEAVE ENOUGH ROOM WHEN STOPPING AND STARTING TO ALLOW SLIGHT TRACTOR ROLL DOWNHILL AS CLUTCH-BRAKE PEDAL MOVES THROUGH CLUTCH POSITION.

- b. If stopping is absolutely necessary, push Clutch-Brake Pedal quickly to brake position and engage Parking Brake.
 - c. To restart tractor movement, make sure tractor is in the lowest speed range ("1ST" Gear) and that you have allowed room to roll slightly downhill. Depress Clutch-Brake fully. Disengage Parking Brake and release Clutch-Brake Pedal SLOWLY to start tractor movement.
3. Make all turns gradually.

STOPPING YOUR TRACTOR

1. Push Clutch-Brake Pedal completely into "BRAKE" position.
2. Move Gear Shift Lever to "NEUTRAL" position.
3. Place Parking Brake in "ENGAGED" position. Raise Parking Brake Lever and hold in "ENGAGED" position (Fig. 24). Release Clutch-Brake Pedal.



CLUTCH-BRAKE PEDAL SHOULD REMAIN COMPLETELY DEPRESSED WHEN FOOT PRESSURE IS RELEASED.

4. Move Throttle Control Lever to "SLOW" position.
5. Disengage Mower Blade Clutch Lever.
6. Turn Ignition Key to "OFF" position.



REMOVE KEY WHEN LEAVING TRACTOR TO PREVENT UNAUTHORIZED USE.

BRING TRACTOR TO COMPLETE STOP BEFORE SHIFTING GEARS.

TRANSPORTING YOUR TRACTOR

For pushing or towing your tractor, place Gear Shift Lever in "NEUTRAL" position (Fig. 24). Push Clutch-Brake Pedal down firmly to "DISENGAGE" Parking Brake (Fig. 24). NOTE: DO NOT TOW YOUR TRACTOR FASTER THAN SIX MILES PER HOUR.

STARTING YOUR TRACTOR WITH A LOW BATTERY

If your Battery is too low to start the engine, it should be recharged. If "Jumper Cables" are used for emergency starting follow this procedure. NOTE: YOUR TRACTOR IS EQUIPPED WITH A 12 VOLT NEGATIVE GROUNDED SYSTEM. THE OTHER VEHICLE MUST ALSO BE A 12 VOLT NEGATIVE GROUNDED SYSTEM.



LEAD-ACID BATTERIES GENERATE EXPLOSIVE GASES. KEEP SPARKS, FLAME, AND SMOKING MATERIALS AWAY FROM BATTERIES. ALWAYS WEAR EYE PROTECTION AROUND BATTERIES.

1. Connect each end of the RED Cable to the POSITIVE (+) terminals of each battery (taking care not to short against chassis).
2. Connect one end of the BLACK Cable to the NEGATIVE (-) terminal of fully charged battery.
3. Connect the other end of the cable to ENGINE BLOCK or good CHASSIS GROUND on tractor (away from Gas Tank or Battery).
4. Disconnect cables in reverse order:
 - a. Engine Block or chassis of tractor
 - b. Negative terminal of fully charged battery.
 - c. Positive terminals



DO NOT USE YOUR TRACTOR BATTERY TO START OTHER VEHICLES.

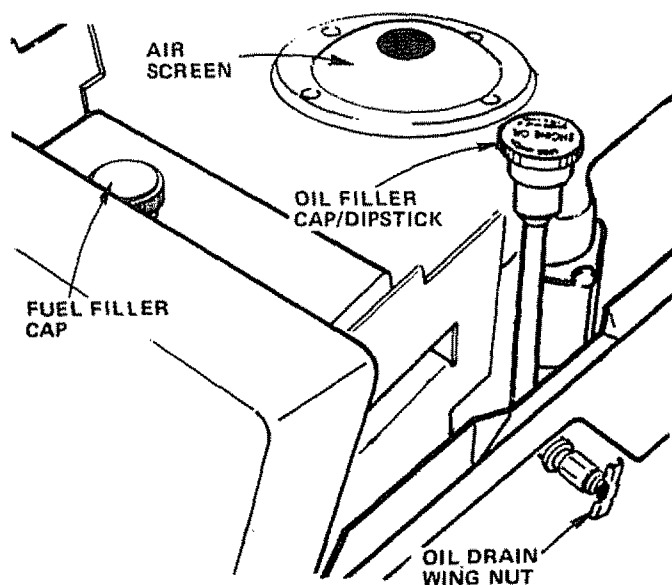


FIGURE 25

CUT AWAY VIEW

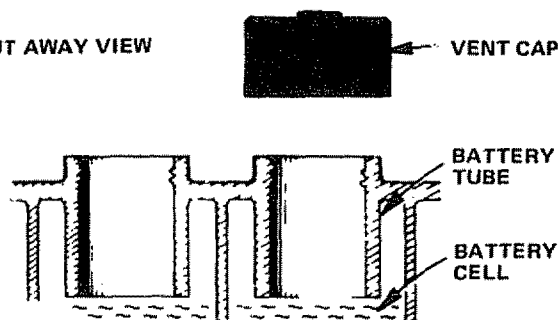


FIGURE 26

MAINTENANCE - TRACTOR

MOWER MAINTENANCE IS LISTED ON PAGE 12.

To keep your tractor running better, longer; perform necessary service using the following Maintenance Schedule.



REFER TO "STOPPING YOUR TRACTOR" PAGE 13 AND DISCONNECT SPARK PLUG WIRE TO PREVENT ACCIDENTAL STARTING BEFORE MAKING ANY INSPECTION, ADJUSTMENT OR REPAIR (EXCEPT CARBURETOR).

DAILY MAINTENANCE

Make sure all nuts on bolts are tight and cotter pins and retainer springs are secure. Observe all safety precautions. Keep tractor well lubricated (refer to page 22).

FIRST 2 HOURS

1. CHANGE ENGINE OIL

Changing Oil after the first two hours will help eliminate break-in residue which might be damaging to your Engine. NOTE: BE CAREFUL NOT TO ALLOW DIRT TO ENTER THE ENGINE WHEN CHANGING OIL.

- a. Drain Oil with Engine warm. Loosen Oil Drain Wing Nut (Fig. 25) and remove Dipstick. Catch Oil in a suitable container. Tighten Oil Drain Wing Nut.
- b. Refill Engine Oil. See oil chart, page 7. Refill capacity is 2 pints. NOTE: DO NOT OVERFILL. Replace Dipstick.

FREQUENTLY

1. CHECK BATTERY

- a. Electrolyte solution level in each Battery Cell should be even with bottoms of tubes in cells (Fig. 26). Add distilled water if necessary. NOTE: DO NOT OVERFILL.
- b. Keep Battery and Terminals clean.
- c. Keep Battery Bolts tight.
- d. Keep Vent Caps tight and small Vent holes in Caps open.
- e. Recharge SLOWLY at 3 amperes if necessary.

2. CHECK TIRE PRESSURE

Tire pressure in front Tires should be 14 PSI; rear Tires 12 PSI.

3. CLEAN AIR SCREEN

Air Screen (Fig. 25) must be kept free of dirt and chaff to prevent Engine damage from overheating.

4. CHECK BRAKE OPERATION

This tractor is equipped with an adjustable brake system mounted on the right side of the transaxle (Fig. 27).



IF TRACTOR REQUIRES MORE THAN SIX FEET STOPPING DISTANCE IN HIGHEST GEAR, THEN BRAKE MUST BE ADJUSTED.

NOTE: PARKING BRAKE MUST BE DISENGAGED AND GEAR SHIFT LEVER IN NEUTRAL WHILE MAKING ADJUSTMENT.

- Depress Clutch-Brake Pedal and engage Parking Brake.
- Measure distance between Brake Operating Arm and Nut "A" on Brake Rod.
- If distance is other than 1 - 1/2", loosen Jam Nut (Fig. 27) and turn Nut "A" until distance becomes 1 - 1/2". Retighten Jam Nut against Nut "A".

Road test tractor for proper stopping distance as stated above. Readjust if necessary.

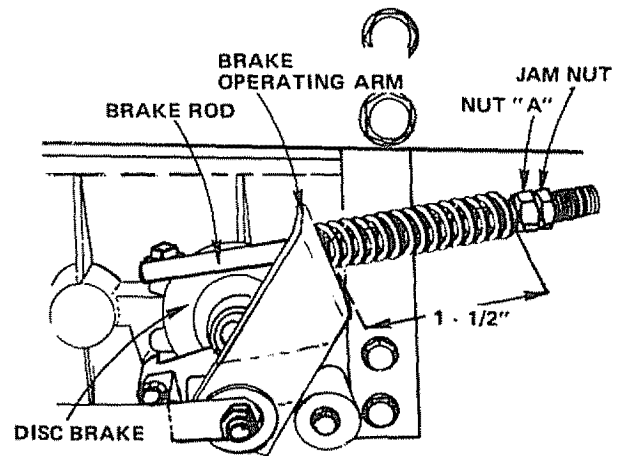


FIGURE 27

DAILY OR EVERY 8 HOURS

CHECK ENGINE OIL LEVEL



DO NOT CHECK ENGINE OIL LEVEL WITH ENGINE RUNNING.

Several minutes after stopping Engine, check Engine Oil Level with Tractor on level ground. Remove and wipe Dipstick clean (Fig. 29), screw it in tight for a few seconds, remove slowly and read Oil level. If necessary, add Oil until "FULL" mark is reached. DO NOT OVERFILL.

EVERY 50 HOURS

(OPERATING IN DUSTY CONDITIONS MAY REQUIRE MORE FREQUENT SERVICING)

1. CLEAN AIR CLEANER ELEMENT (FIG. 28)

- Open Hood.
- Snap off Air Cleaner Cover.
- Remove Foam Element from Air Cleaner Body.
- Wash Foam Element in liquid detergent and water to remove dirt.
- Wrap foam in cloth and squeeze dry.
- Saturate foam in clean engine oil. Squeeze to remove excess oil.
- Replace Foam Element and snap Cover on Air Cleaner Body.

NOTE: NEVER RUN ENGINE WITH AIR CLEANER REMOVED.

2. CHANGE ENGINE OIL

The best time to change Engine Oil is at the end of a day's operation when all dirt and foreign materials are suspended in the hot Oil. See oil chart, page 7.

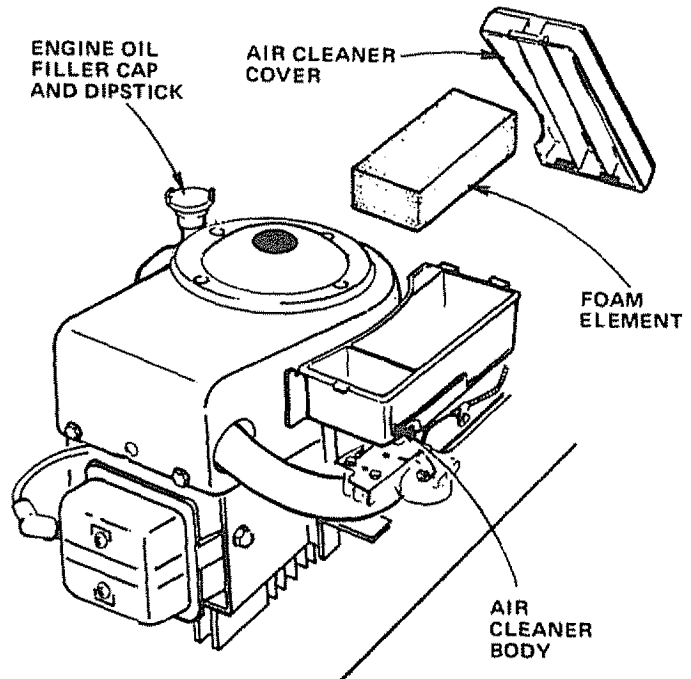


FIGURE 28

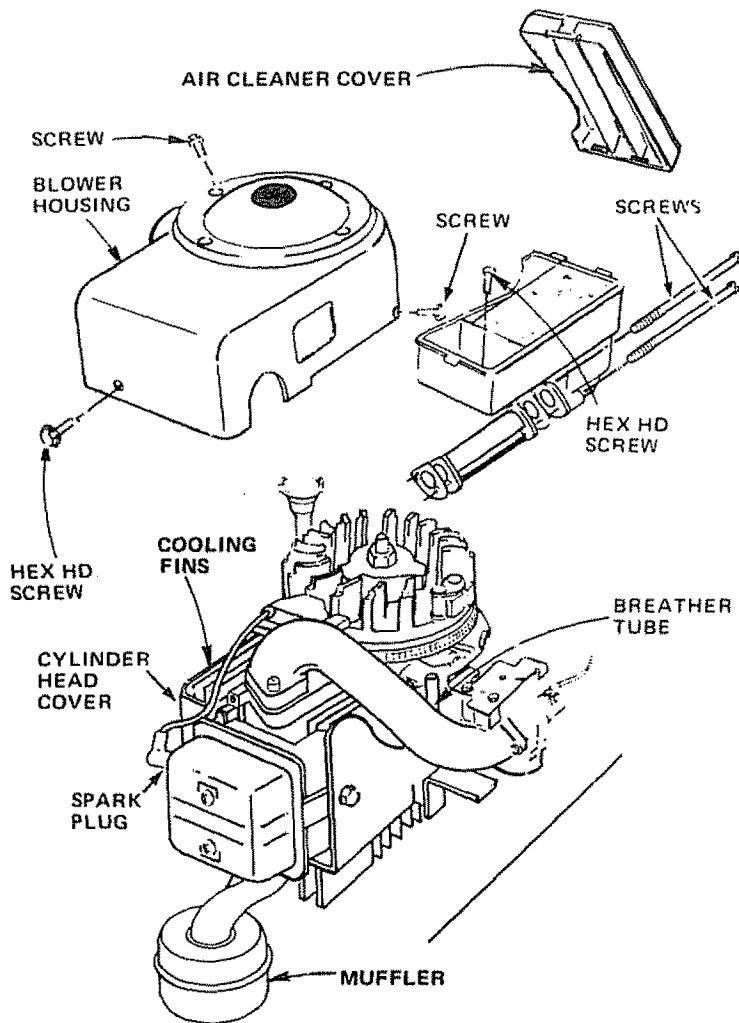


FIGURE 29

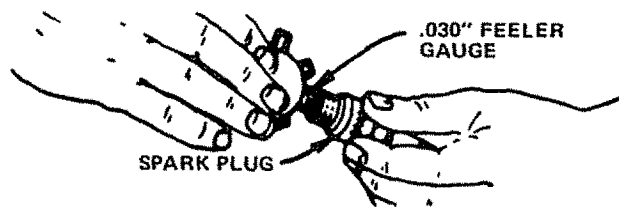


FIGURE 30

3. CLEAN ENGINE COOLING FINS

Keep Engine Cooling Fins free of dust, dirt and oil to prevent Engine damage from overheating.

- a. Snap Cover off Air Cleaner (Fig. 29). Remove Hex Head Screw from inside Air Cleaner. Remove two Slotted Head Screws from rear of Air Cleaner. Pull Air Cleaner off.
- b. Remove two Hex Head Screws from front of Blower Housing. Remove two Hex Head Screws from side of Blower Housing.
- c. Pull Blower Housing off. Cylinder Head Cover may also be removed. Clean Engine Cooling Fins with a stiff bristled brush or compressed air.



WEAR SAFETY GLASSES IF USING COMPRESSED AIR.

- d. To reassemble, reverse above procedure.

NOTE: PRESS BREATHER TUBE INTO BOTTOM OF AIR CLEANER (FIG. 29).

4. MUFFLER

Do not operate the tractor without a Muffler or tamper with the exhaust system.



DO NOT TOUCH HOT MUFFLER, CYLINDER OR FINS AS CONTACT MAY CAUSE BURNS.

Periodically clean the muffler area to prevent grass, dirt and combustible material from accumulating. Damaged Mufflers or spark arresters could create a fire hazard. Inspect periodically and replace if necessary. If your engine is equipped with a spark arrester screen assembly, remove every 50 hours for cleaning and inspection. Replace if damaged.

EVERY 100 HOURS

1. REPLACE SPARK PLUG

Change the spark plug after every 100 hours of operation or at the beginning of each mowing season. A Deep Well 13/16" socket is required to remove the Spark Plug. Set the Spark Plug gap at .030 inch (Fig. 30).

2. REPLACE AIR CLEANER ELEMENT

AS NEEDED

1. CARBURETOR ADJUSTMENT

DO NOT MAKE UNNECESSARY ADJUSTMENTS. FACTORY SETTINGS ARE SATISFACTORY FOR MOST APPLICATIONS AND CONDITIONS. IF ADJUSTMENTS ARE NEEDED, PROCEED AS FOLLOWS:

- a. Make sure Air Cleaner is clean (see page 15).
- b. With engine not running, place Throttle at "FAST" detent (not in "CHOKE" position).
- c. Check that hole in Throttle Lever and hole in Plate line up (Fig. 31 - Inset). If holes are not aligned, loosen Clamp Screw and move Throttle Cable until holes are aligned. Tighten Clamp Screw.
- d. Turn High Speed Adjusting Needle clockwise (↻), closing finger tight ONLY, and then turn counterclockwise (↺) 1-1/2 turns (Fig. 31).
- e. Turn Idle Adjusting Needle clockwise (↻) closing finger tight ONLY, and then turn counterclockwise (↺) 1 turn.



REFER TO "STARTING THE ENGINE",
PAGE 8.

- f. Start Engine and allow to warm for five minutes.
- g. Make final adjustments with Engine running, Gear Shift Lever in "NEUTRAL" position and Parking Brake engaged.
 - With Throttle Control Lever in "FAST" position, turn High Speed Adjusting Needle counterclockwise (↺) until engine runs "rough" then turn clockwise (↻) until engine begins to miss. Turn Needle to a point midway between these positions.
 - With Throttle Control Lever in "SLOW" position, hold Throttle Lever so that Idle Speed Adjusting Screw is against Carburetor, turn Idle Adjusting Needle counterclockwise (↺) until engine runs "rough" and then turn clockwise (↻) until engine begins to die. Turn Idle Needle to a point midway between these positions.

NOTE: If engine hesitates when moving Throttle Control Lever from "SLOW" to "RUN" position, turn Idle Speed Adjusting Screw counterclockwise (↺) one-eighth turn.

2. REPLACE FUEL FILTER

- a. Remove Clamps from fuel lines at front and rear of Fuel Filter (Fig. 31).
- b. Pull Fuel Filter out of fuel lines.
- c. Install new Fuel Filter with arrow pointing toward engine.
- d. Install new Fuel Line Clamps supplied with Fuel Filter.



BE SURE THERE ARE NO FUEL LINE
LEAKS AND THAT FUEL LINE IS IN
PROPER POSITION IN HOSE CLAMPS.

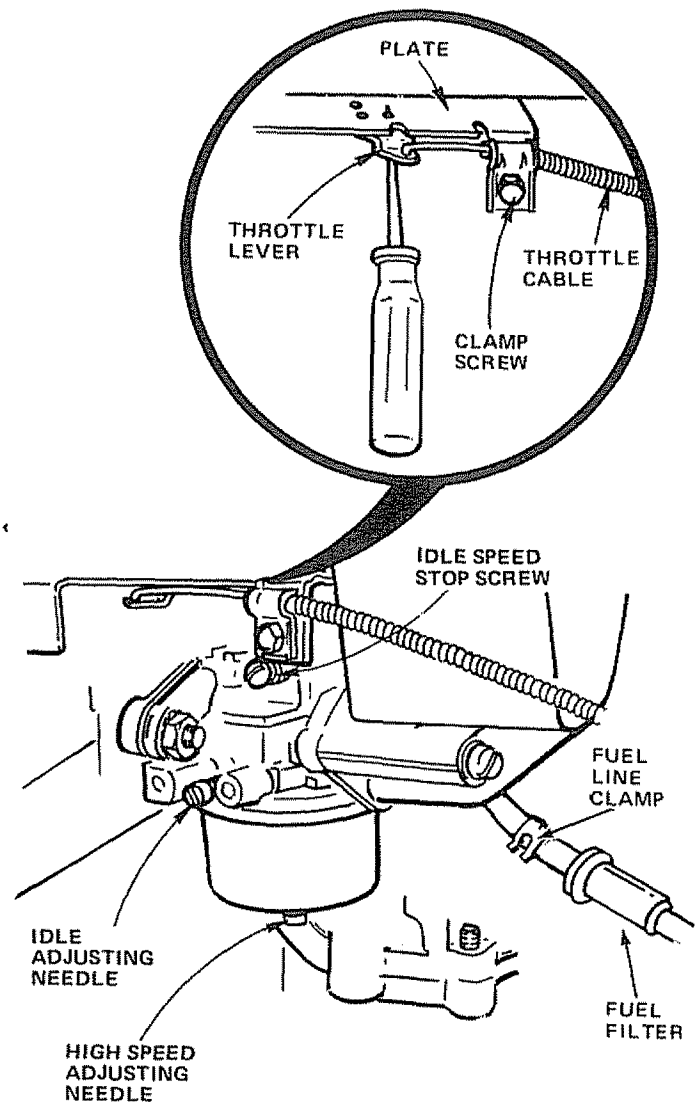


FIGURE 31

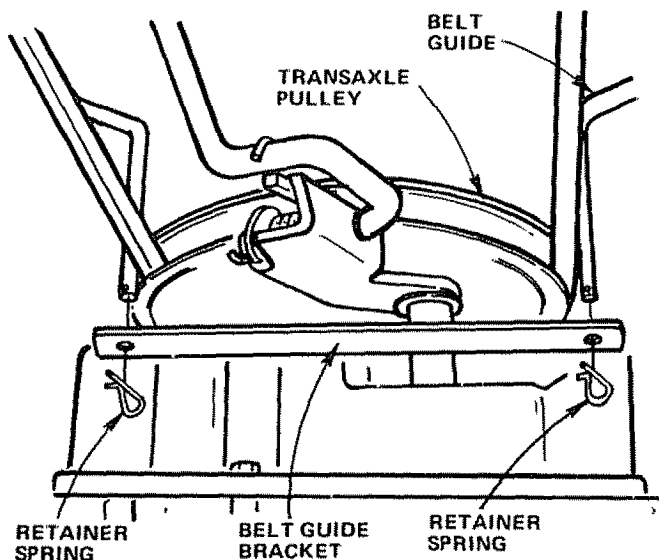


FIGURE 32

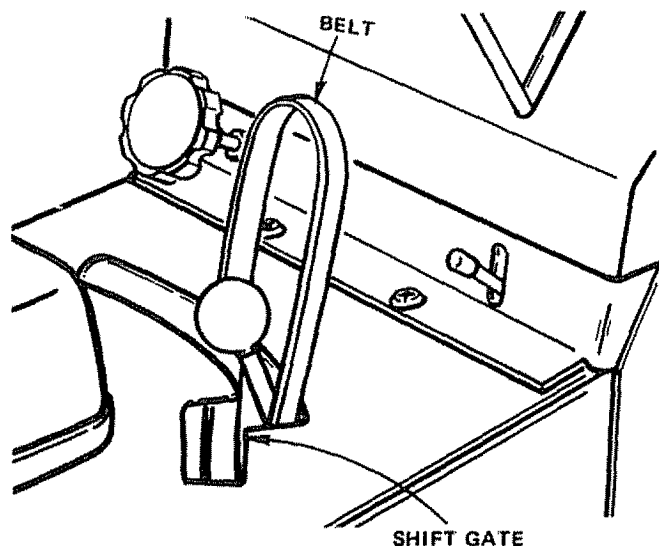
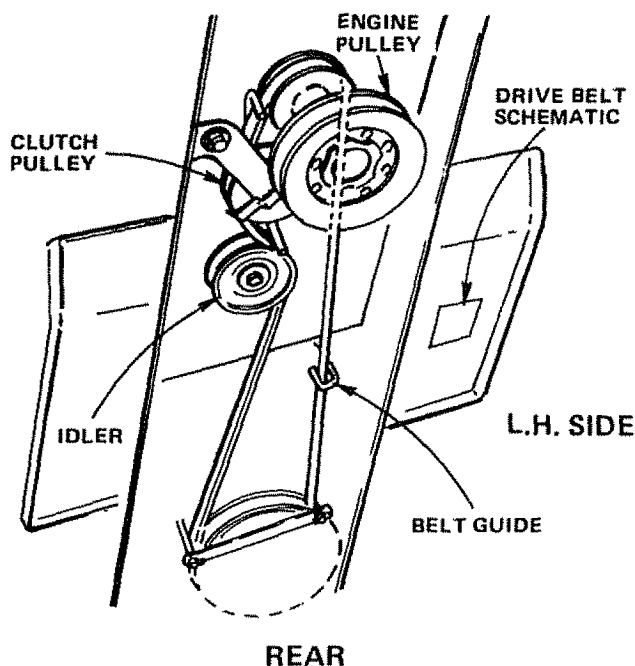


FIGURE 33



VIEWED FROM BOTTOM OF TRACTOR

FIGURE 34

3. REPLACE TRACTOR MOTION DRIVE BELT

The tractor Drive Belt may be replaced without tools. Park the tractor on level area, Engage Parking Brake. NOTE: BELT INSTALLATION DECAL UNDER LEFT FOOT-REST.

- a. Remove mower, (See Mower Section, page 20).
- b. Remove two Retainer Springs from Belt Guide Bracket below Transaxle Pulley. Remove Bracket (Fig. 32).
- c. Swing Belt Guides away from Belt, toward rear of tractor (Fig. 32).
- d. Roll Belt over top of Transaxle Pulley.
- e. Roll Belt over Engine Pulley and off Idler (Fig. 34).
- f. Release Parking Brake. Pull Belt as far as possible over top of Clutch Pulley.
- g. Reset Parking Brake, Pull Belt over top of Clutch Pulley (Fig. 34).
- h. Pull Belt out through Shift Gate to remove from tractor (Fig. 33).

Install Belt by reversing above procedure. NOTE: REPLACE ONLY WITH BELT LISTED IN MANUAL.

4. CLEAN BATTERY AND TERMINALS

Corrosion and dirt on the Battery and Terminals cause the Battery to "leak" power



LEAD-ACID BATTERIES GENERATE EXPLOSIVE GASES. KEEP SPARKS, FLAME, AND SMOKING MATERIALS AWAY FROM BATTERIES ALWAYS SHIELD YOUR EYES AROUND BATTERIES.

- a. Disconnect BLACK Battery Cable then RED Battery Cable and remove Battery from Tractor. Wash Battery with four tablespoons of baking soda to one gallon of water. NOTE: BE CAREFUL NOT TO GET THE SODA SOLUTION INTO THE CELLS. Rinse the Battery with plain water, dry and reinstall on Tractor.
- b. Clean Terminals and Battery Cable ends with a wire brush until bright. Replace Battery Cables, connecting RED Battery Cable to Positive Terminal first, then BLACK Battery Cable to Negative Terminal, Coat terminal connections with Vaseline.

5. TIRE CARE

- a. Maintain tire pressure in front tires at 14 PSI and rear tires at 12 PSI
- b. Keep tires free of gasoline, oil, or insect control chemicals which can destroy rubber
- c. Avoid stumps, stones, deep ruts and other hazards that may cause tire damage
- d. Removing front wheel for tire repair (Fig. 35)
 - Block up front axle securely, Pull off Dust Cap.
 - Remove Klip Ring and Washer and remove wheel.
 - Repair tire and reassemble. Replace Washer, snap Klip Ring securely in axle groove. Replace Dust Cap
- e. Removing rear wheel for tire repair (Fig. 36).
 - Block up rear axle securely, Pull off Dust Cap.
 - Remove E-Ring and Washers (1 to 3 as required) and remove wheel.
 - Repair tire and reassemble. Replace Square Key in Axle Shaft
 - Replace Washers, E-Ring and Dust Cap

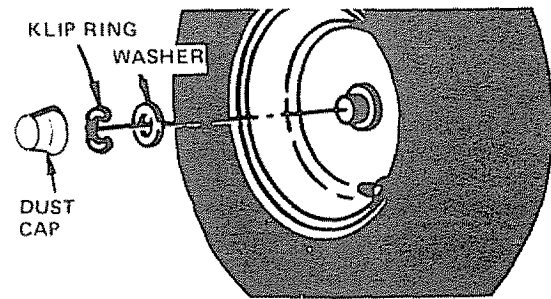


FIGURE 35



WHEN MOUNTING TIRES, BEADS MUST BE SEATED. OVERINFLATION CAN CAUSE A FATAL EXPLOSION.

6. FINISH

Keep tractor finish and seat free of gasoline, oil, insect chemicals or battery electrolyte. Protect painted surfaces with automotive type wax.

MOWER BELT ADJUSTMENT

Your tractor has been manufactured with the ability to re-adjust mower drive belt to provide you with longer belt life.

If the Mower Clutch Lever (Fig. 37) travels 3 - 1/2" up the slot in the dash before spring tension resistance is evident, adjustment is necessary. NOTE: CHECK FOR PROPER SPRING TENSION WITH ENGINE OFF AND LIFT LEVER IN HIGHEST POSITION

1. Remove mower deck from tractor
2. Remove Cotter Pins from both sides of the Rock Shaft Assembly (Fig. 38).
3. Loosen the 4 Locknuts on the R.H. and L.H. Pivot Brackets (Fig. 38) only until Rock Shaft Assembly can be removed.
4. Remove Rock Shaft Assembly from R.H. and L.H. Pivot Brackets NOTE: DO NOT DISASSEMBLE BRAKE ROD.
5. Remove Extension Spring from lower hole (original position) in Rock Shaft Assembly and insert in upper hole in Rock Shaft Assembly (Fig. 38 - Inset).
6. Replace Rock Shaft Assembly between R.H. and L.H. Pivot Brackets
7. Tighten Locknuts securely making sure Carriage Bolts are seated in square holes of mower housing.
8. Replace Cotter Pins on both sides of Rock Shaft Assembly

NOTE: WHEN INSTALLING A NEW BELT, EXTENSION SPRING MUST BE RETURNED TO LOWER HOLE (ORIGINAL POSITION) ON ROCK SHAFT ASSEMBLY.

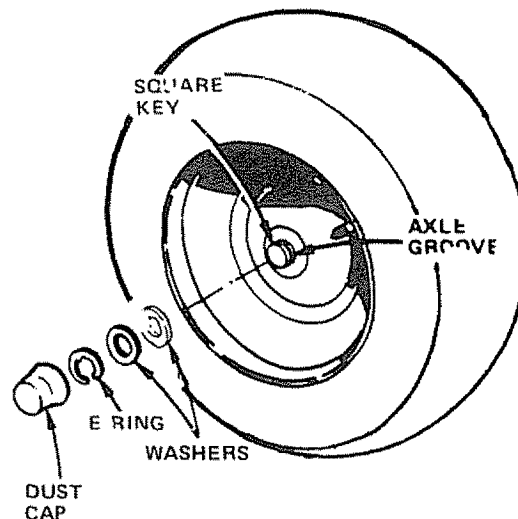


FIGURE 36

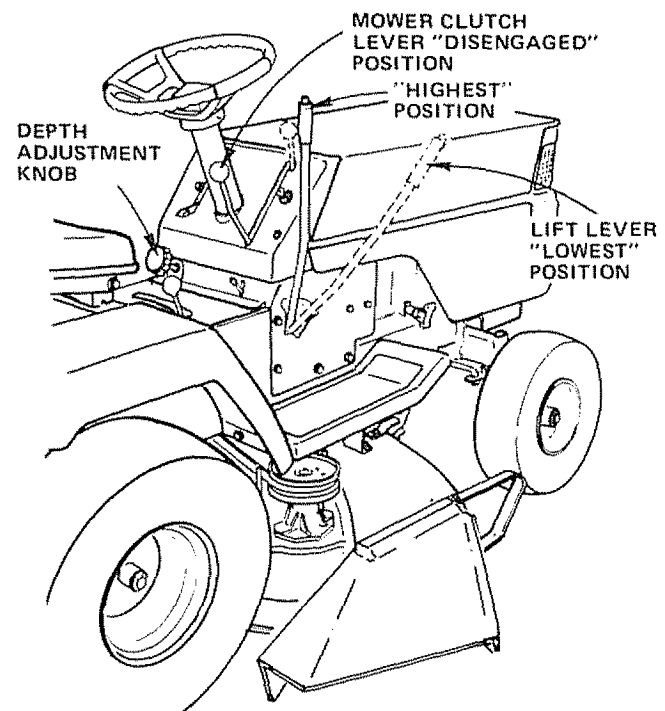


FIGURE 37

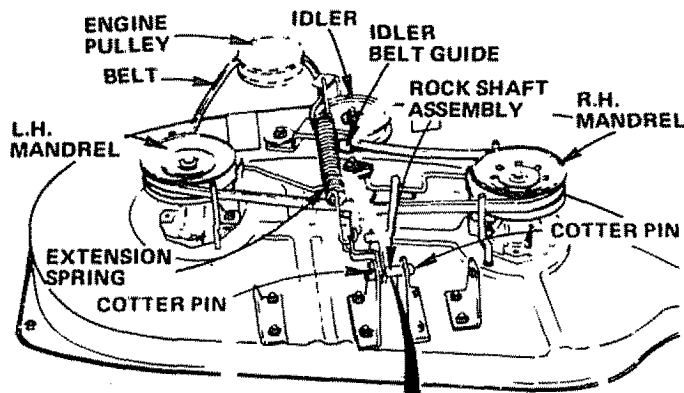


FIGURE 38

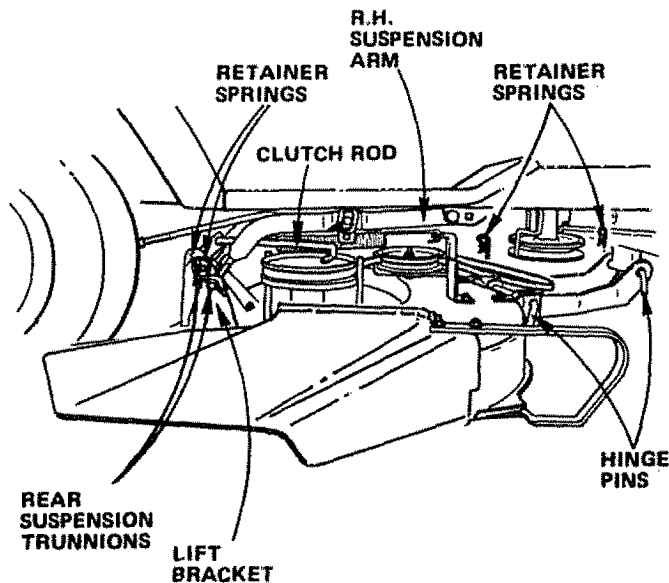
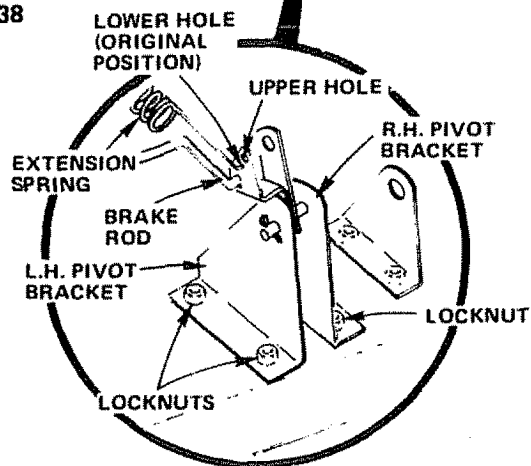


FIGURE 39

TO REMOVE MOWER BELT

NOTE: MOWER BELT INSTALLATION DECAL LOCATED ON MOWER HOUSING.

REPLACE ONLY WITH THE BELTS SPECIFIED IN THIS MANUAL.

1. Place Mower Blade Clutch Lever in "DISENGAGED" position (Fig. 37).
2. Turn Depth Adjustment Knob to lowest position. Move Mower Lift Lever (Fig. 37) forward to lower Mower to its lowest position.
3. Roll Belt off Engine Pulley (Fig. 38).
4. Pull Belt off both Mandrels.
5. Spring Belt Guide away from Idler Pulley and pull Belt off Idler Pulley.
6. Slide Belt from under Extension Spring.

TO REPLACE MOWER BELT

1. Slide Belt under Extension Spring (Fig. 38).
2. Place Belt on rear side of both Mandrels.
3. Spring Idler Belt Guide down and place Belt around rear side of Idler Pulley.
4. Roll Belt over Engine Pulley.

TO REMOVE MOWER

1. Remove mower Belt per instructions under "To Remove Mower Belt", through step 3.
2. Turn Depth Adjustment Knob to lowest position. Use Lift Lever to lower mower to its lowest position.
3. Remove Retainer Spring from Clutch Rod; pull Clutch Rod out of Clutch Bracket.
4. Pull Retainer Springs out of Rear Suspension Trunnions. Remove Rear Suspension Trunnions from Lift Brackets (Fig. 39).
5. Pull Retainer Spring out of Rear Hinge Pin. Remove Rear Hinge Pin.
6. Pull Retainer Spring out of Front Hinge Pin. Remove Front Hinge Pin (Fig. 39).
7. Use Lift Lever to raise Suspension Arms. Slide mower out from under tractor.

NOTE: IF AN ATTACHMENT OTHER THAN THE MOWER DECK IS TO BE MOUNTED ON THE TRACTOR, THE L.H. AND R.H. SUSPENSION ARMS (FIG. 39) SHOULD BE REMOVED FROM TRACTOR.

STORAGE

When mower is to be stored for a period of time, clean it thoroughly, remove all dirt, grease, leaves, etc. Give blades and underside of housing a good coat of grease or rust preventative. Store in a clean dry area.

TROUBLE SHOOTING

POSSIBLE CAUSE

POSSIBLE REMEDY

WILL NOT START

Foot Pedal not depressed
Mower Blade Clutch Lever engaged
No gasoline in Fuel Tank, clogged Fuel Line, or Fuel Filter
Blown Fuse
Dead Battery

Depress Foot Pedal fully
Disengage Lever (Fig. 10). Be sure Lever is in bottom of slot
Fill Tank with Gasoline Check Fuel Line and Carburetor (clean if necessary) Replace Fuel Filter
Check for fault and replace Fuse
Recharge or replace Battery

HARD TO START

Choked improperly, flooded Engine

Clogged Fuel System
Dirty Air Cleaner
Spark Plug dirty or improper gap
Defective Battery
Defective Ignition or loose wiring
Water in gasoline or old fuel

Improper Carburetor adjustment

Place Throttle Control in "FAST" position (Fig. 10) and run starter several times to clear out gas
Remove and clean Tank and lines, Replace Fuel Filter
Remove and clean (Fig. 28)
Clean, adjust gap or replace (Fig. 30)
Recharge or replace
Check the wiring and Spark Plug
Drain Fuel Tank and Carburetor, use fresh fuel and replace Spark Plug
Make necessary adjustments (Fig. 31)

ENGINE MISSES OR LACKS POWER

Engine overload
Clogged Fuel Tank or Fuel Filter
Partially plugged Air Cleaner
Improper Carburetor adjustment
Dirty Engine Air Screen
Low oil level or dirty oil
Spark Plug dirty, improper gap or wrong type
Faulty ignition
Poor compression
Oil in gasoline

Shift to a lower gear (Fig. 24) or reduce load
Remove and clean Tank; replace Fuel Filter
Remove and clean (Fig. 28)
Make necessary adjustments (Fig. 31)
Clean Air Screen (Fig. 25)
Add or change oil (page 14)
Replace Spark Plug (Fig. 30)
Check Spark Plug and for loose wires
Major Engine overhaul
Drain Gas Tank and Carburetor and refill

ENGINE OVERHEATS

Dirty Air Screen
Low oil level or dirty oil
Dirty Engine
Partially plugged Muffler
Partially plugged Air Cleaner
Stale fuel or improper Carburetor adjustment

Clean Air Screen (Fig. 25)
Add or change oil (page 14)
Clean Engine Cooling Fins (page 16)
Remove and clean Muffler or replace
Remove and clean (Fig. 28)
Use fresh fuel and adjust Carburetor (Fig. 31)

NO LIGHTS

No Headlights with Light Switch on and Engine running

Check Fuse, Switch and wire connections Replace Headlight Bulbs

WON'T CHARGE

Blown Fuse
Defective Battery
Defective Diode Assembly
Defective Alternator

Check for fault and replace
Replace
Replace
Replace

UNSATISFACTORY MOWER PERFORMANCE/UNEVEN DISTRIBUTION OF CLIPPINGS

Tires not inflated properly
Mower improperly adjusted

Grass high or wet

Incorrect engine RPM's
Excessive wear to outer cutting tip of mower blade
Improper mower blade installation
Incorrect mower blade
Belt slippage

Check air pressure in tires (page 6)
Check front to rear and side to side mower adjustment (page 10)
Use a slower ground speed (refer to Mower Operating Instructions, page 11)
Check engine RPM's (refer to Carburetor Adjustment, page 17)
Replace mower blade
Reinstall with top of blade up
Replace with proper mower blade
Re-adjust mower drive belt (page 19)

STORAGE

1. FUEL SYSTEM

- Drain fuel tank and carburetor by allowing the engine to run out of gasoline. NOTE: GASOLINE LEFT IN YOUR ENGINE WILL LEAVE GUM DEPOSITS CLOGGING FUEL SYSTEM.
- Dispose of gasoline if not to be used. NOTE: GASOLINE STORED FOR SEVERAL MONTHS LOSES ITS VOLATILITY (ABILITY TO BURN EFFECTIVELY).

2. ENGINE OIL

Drain (with engine warm) and replace with clean engine oil. (See chart, page 7).

3. CYLINDER

- Remove Spark Plug

- Pour one ounce of engine oil through spark plug hole into cylinder.
- Turn ignition key to "START" position for a few seconds to distribute oil
- Replace with new Spark Plug.

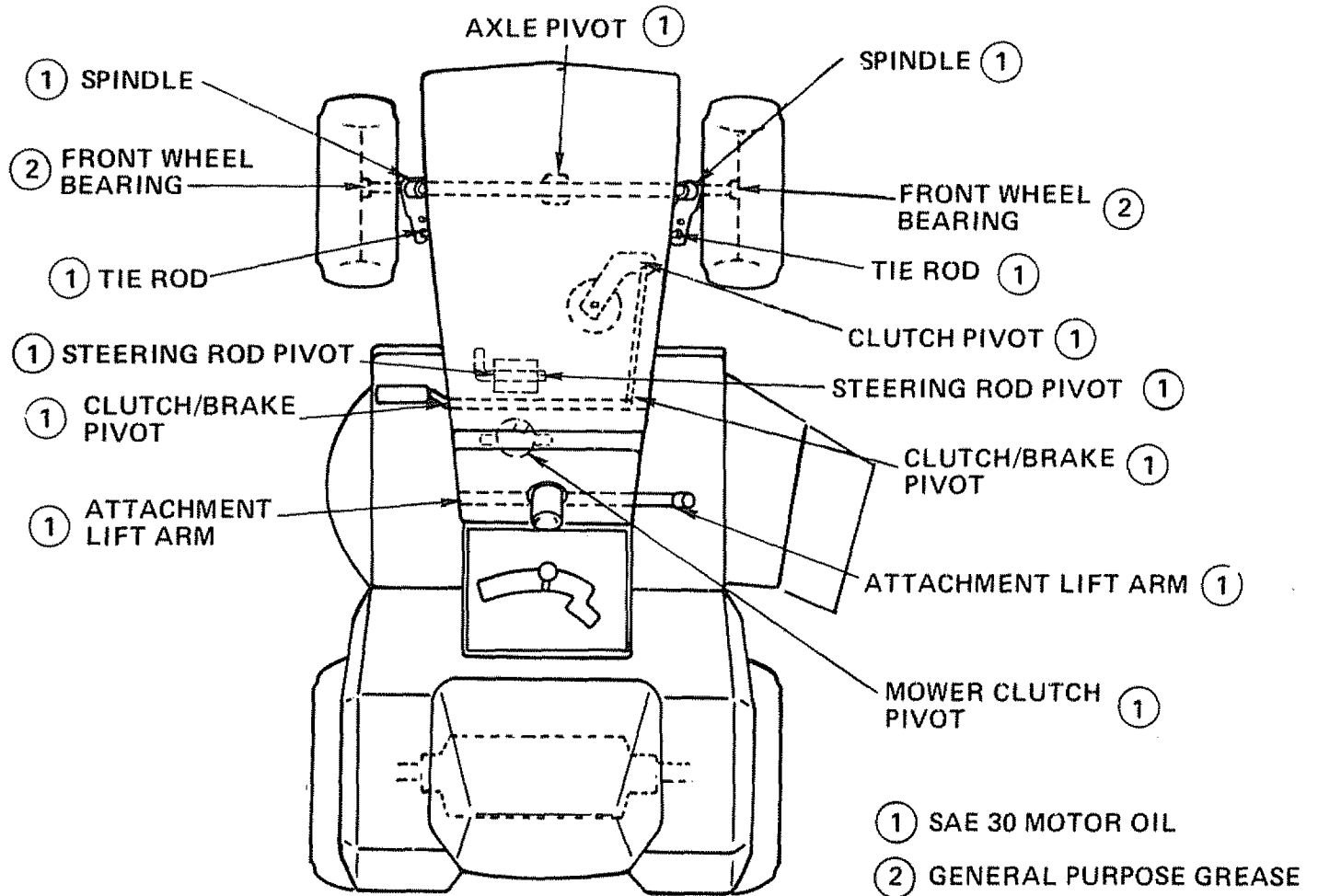
4. BATTERY

- Remove battery if tractor is not used regularly during winter months. Store in cool, dry place (above 50°F.).
- Re-charge each month if necessary. NOTE: BATTERIES NOT IN USE FOR SEVERAL MONTHS AND NOT KEPT FULLY CHARGED, PRODUCE SULPHATE DEPOSITS ON PLATES WHICH CANNOT BE REMOVED BY RECHARGING.

5. GENERAL CLEANING

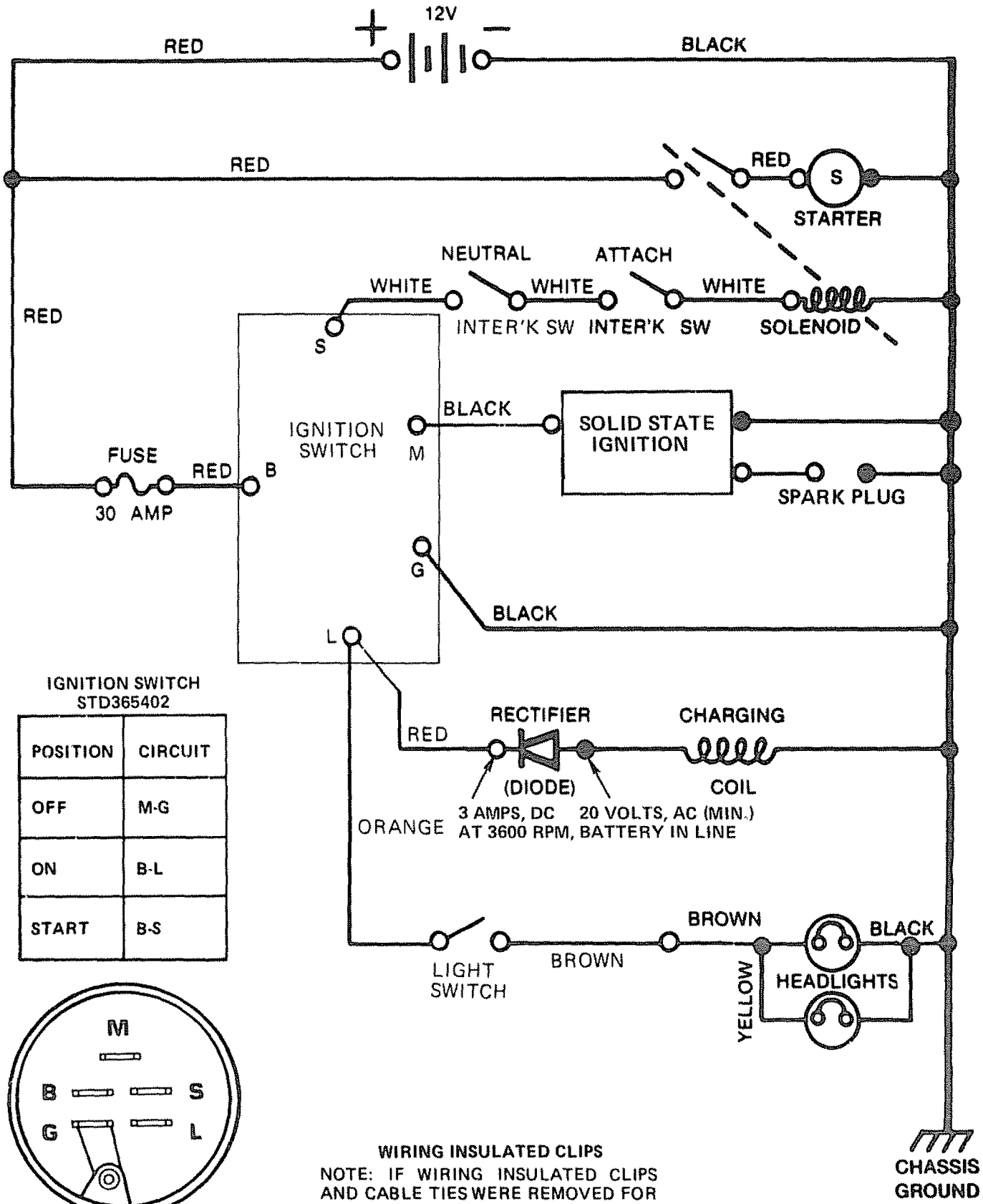
- Clean engine, battery, finish, seat, etc. of all foreign matter.

LUBRICATION CHART



SERVICE RECORD FILL IN DATES AS YOU COMPLETE REGULAR SERVICE	FREQUENTLY EVERY 8 HOURS EVERY 25 HOURS EVERY 50 HOURS EVERY 100 HOURS AS NEEDED					SERVICE DATES
Check Engine Oil Level		✓				
Change Engine Oil (see chart, page 7)			✓			
Lubricate Pivot Points			✓			
Check Brake Operation	✓					
Clean Air Screen	✓					
Clean Air Cleaner Element				✓		
Replace Air Cleaner Element				✓		
Clean Engine Cooling Fins				✓		
Replace Spark Plug				✓		
Check Battery Level	✓					
Check Tire Pressure	✓					
Replace Fuel Filter					✓	

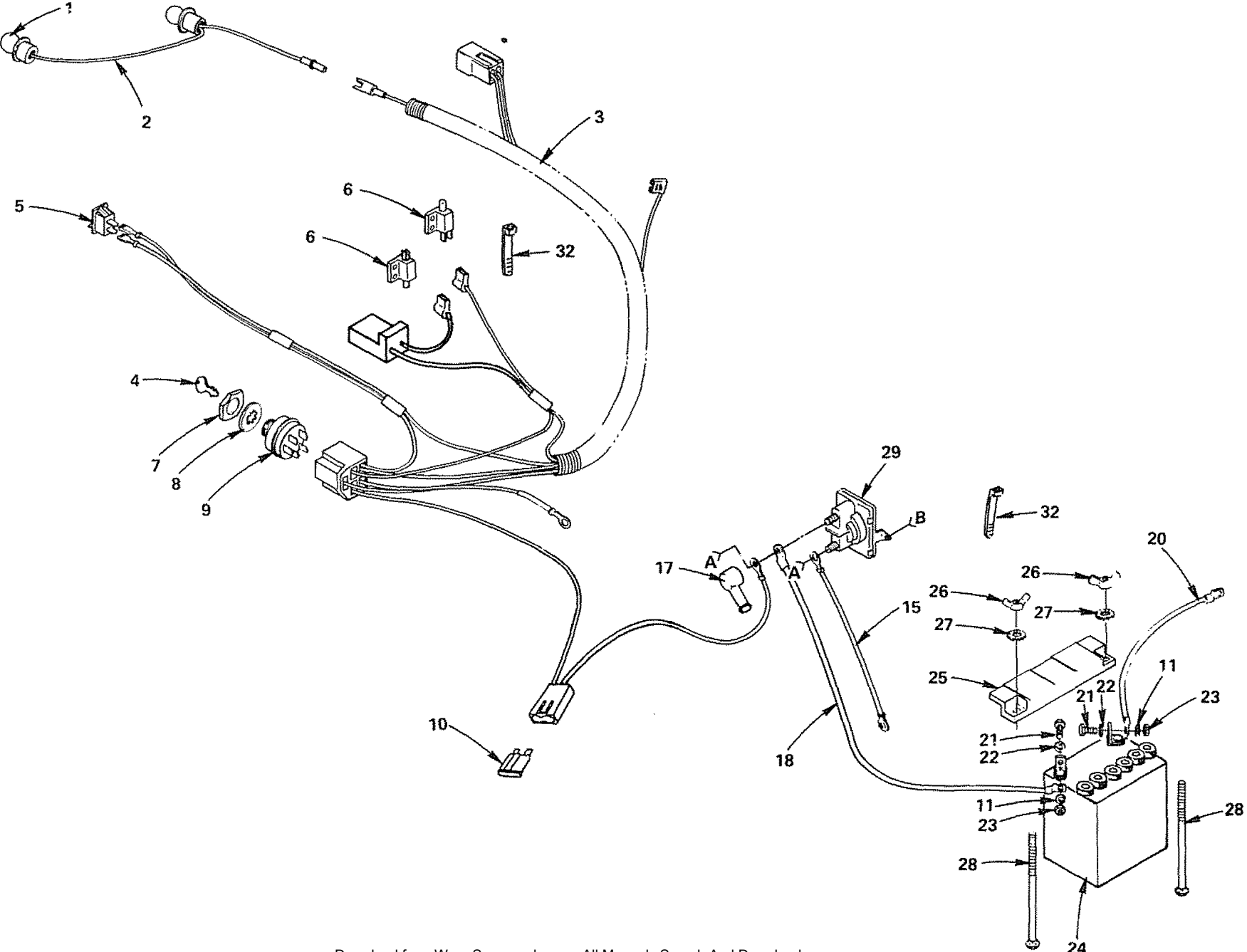
SCHEMATIC



REPAIR PARTS

12 H.P. 38" RIDING LAWN TRACTOR--MODEL NUMBER 917.255741

ELECTRICAL



-24-

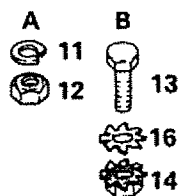
REPAIR PARTS

12 H.P. 38" RIDING LAWN TRACTOR--MODEL NUMBER 917.255741

ELECTRICAL

KEY NO.	PART NO.	DESCRIPTION	KEY NO.	PART NO.	DESCRIPTION
1	7662J	Bulb, Light	17	719J	Cover, Terminal
2	105386X	Harness, Light Socket	18	5114J	Cable, Battery
3	108865X	Harness, Ignition	20	4207J	Cable, Battery
4	105613X	Key Set	21	STD522507	*Bolt, Hex, 1/4 - 20 x 3/4
5	105381X	Switch, Light	22	STD551025	*Washer 9/32 x 5/8 x 16 Ga.
6	104445X	Switch, Interlock	23	STD541025	*Nut, Hex 1/4 - 20
7	3258J	Nut, Hex 5/8 - 32	24	9272R	Battery, 12V., Sears
8	11151000	Washer, Lock, Int. Tooth, 5/8	25	102476X	Terminal Guard
9	STD365402	Switch, Ignition	26	STD541625	*Wing Nut 1/4 - 20
10	108824X	Fuse, 30 Amp.	27	11030400	Int./Ext. Tooth Lockwasher 1/4
11	STD551125	*Washer, Lock, 1/4	28	72240460	Battery Bolt (Bolt - Carriage, Rd. Hd. Sq. Neck 1/4 - 20 x 7 - 1/2)
12	STD541225	*Nut, Hex Jam 1/4 - 20	29	2008J	Solenoid
13	STD522505	*Bolt, Hex, 1/4 - 20 x 1/2 Gr. 5	32	7192J	Cable Tie
14	73510400	Nut, Keps 1/4 - 20	---	101539X	Sheet - Instruction, Tractor 15° Slope
15	108423X	Cable Assembly	---	109034X	Owners Manual
16	11050400	Washer Lock, Ext. Tooth, 1/4			

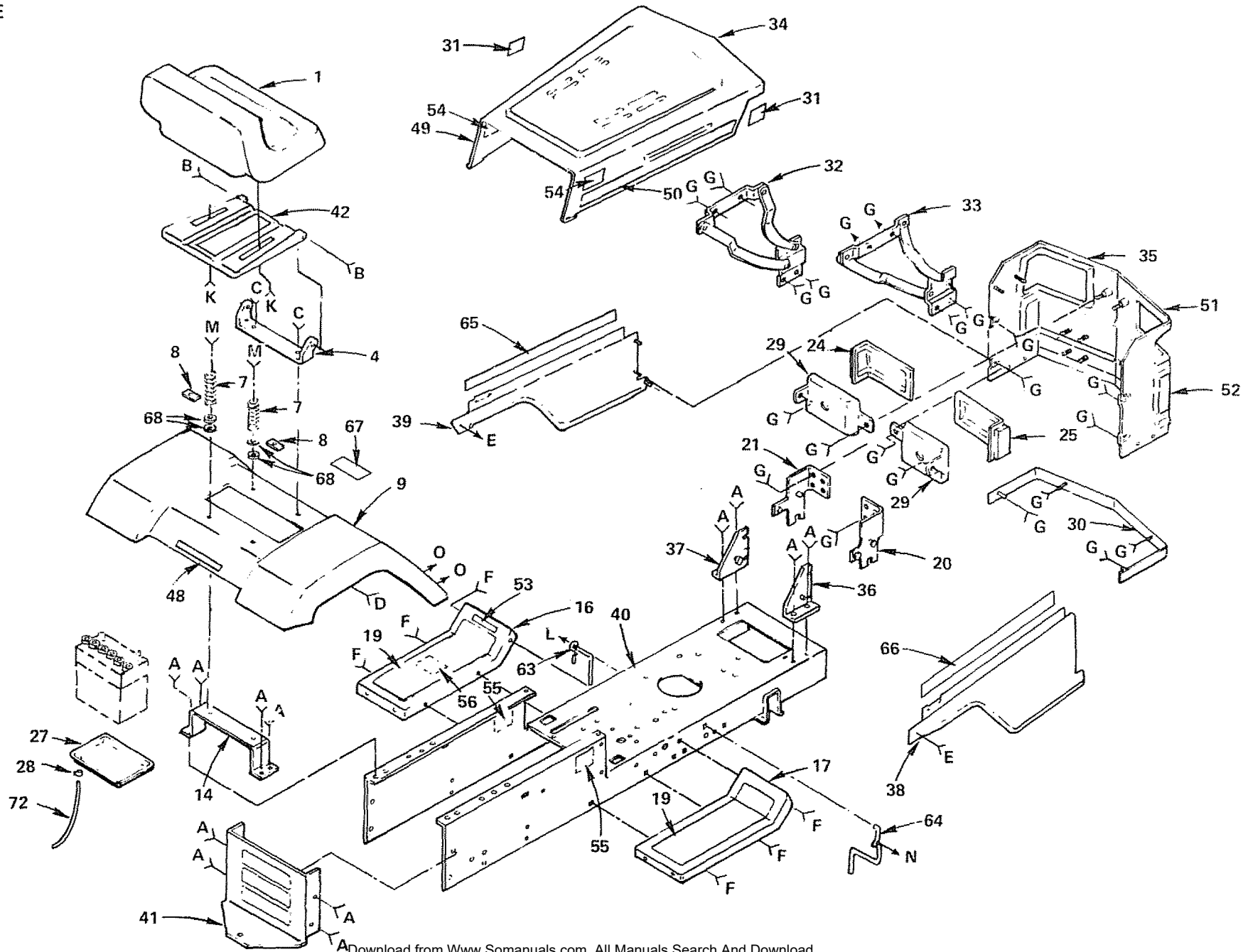
*STANDARD HARDWARE--PURCHASE LOCALLY



REPAIR PARTS

12 H.P. 38" RIDING LAWN TRACTOR--MODEL NUMBER 917.255741

ENCLOSURE



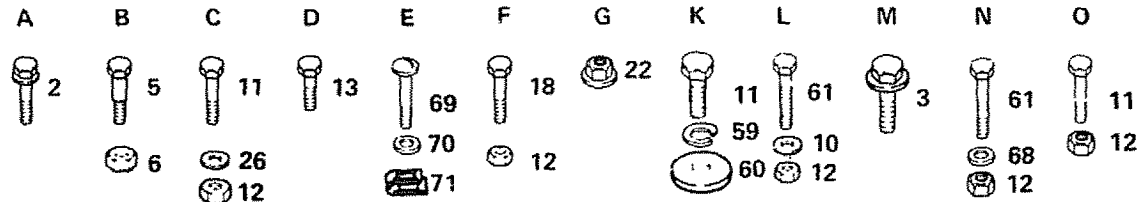
REPAIR PARTS

'12 H.P. 38" RIDING LAWN TRACTOR--MODEL NUMBER 917.255741

ENCLOSURE

KEY NO.	PART NO.	DESCRIPTION	KEY NO.	PART NO.	DESCRIPTION
1	108446X	Seat	33	105792X	Hinge, Hood, R.H.
2	17490612	Screw, Hex Washer Thd. Roll 3/8 - 16 x 3/4 Type TT	34	105682X	Hood Assembly
3	17490616	Screw, Hex Washer Thd. Rolling 3/8 - 16 x 1	35	105678X	Grill Assembly
4	105513X	Bracket - Pivot, Seat	36	108500X	Bracket, Frame, Pivot, R.H.
5	105529X	Bolt, Shoulder, 5/16 - 18	37	108501X	Bracket, Frame, Pivot, L.H.
6	73680500	Nut, Lock. 5/16 - 18	38	106927X	Side Panel, R.H.
7	105512X	Spring - Compression	39	106929X	Side Panel, L.H.
8	105514X	Clamp, Spring	40	108967X	Chassis Assembly
9	105274X	Fender	41	102481X	Drawbar
10	19131312	Washer 13/32 x 13/16 x 12 Ga.	42	108176X	Pan - Seat
11	STD523707	*Bolt, Hex, 3/8 - 16 x 3/4	48	105801X	Decal - Reflective, Rear
12	73680600	Nut, Lock 3/8 - 16	49	105802X	Decal, Stripe, L.H.
13	17490608	Screw, Hex Washer Thd. Roll 3/8 - 16 x 1/2	50	105803X	Decal, Stripe, R.H.
14	105753X	Bracket, Fender	51	105806X	Decal, Grill Craftsman
16	105465X	Footrest, L.H.	52	105807X	Decal, Grill, Stripe
17	105464X	Footrest, R.H.	53	4900J	Decal, Clutch/Brake
18	STD533707	*Bolt, Carr. 3/8 - 16 x 3/4	54	109165X	Decal, 12 H.P.
19	105466X	Pad, Footrest	55	108428X	Decal, 6 Speed, 38"
20	108504X	Bracket, Pivot, Grill, R.H.	56	105813X	Decal, V-Belt Schematic
21	108505X	Bracket, Pivot, Grill, L.H.	59	10040600	Washer - Lock 3/8
22	108067X	Pal Nut 1/4 - 20	60	19131212	Washer 13/32 x 3/4 x 12 Ga.
24	108361X	Lens, L.H.	61	STD523710	*Bolt, Hex 3/8 - 16 x 1
25	108360X	Lens, R.H.	63	106301X	Guide - Belt, Lower, Eng. Pulley, L.H.
26	19131210	Washer 13/32 x 3/4 x 10 Ga.	64	106300X	Guide - Belt, Lower, Eng. Pulley, R.H.
27	7603J	Tray, Battery	65	106811X	Decal - Stripe, Side Panel, L.H.
28	6999R	Clamp - Hose	66	106812X	Decal - Stripe, Side Panel, R.H.
29	105268X	Bezel	67	106974X	Decal, OPEI, Caution
30	105685X	Strap Assembly, Grill	68	19132012	Washer 13/32 x 1 - 1/4 x 12 Ga.
31	108631X	Decal, II	69	106909X	Screw - Special
32	105797X	Hinge, Hood, L.H.	70	106910X	Washer
			71	106911X	Clip
			72	105687X	Tube - Plastic

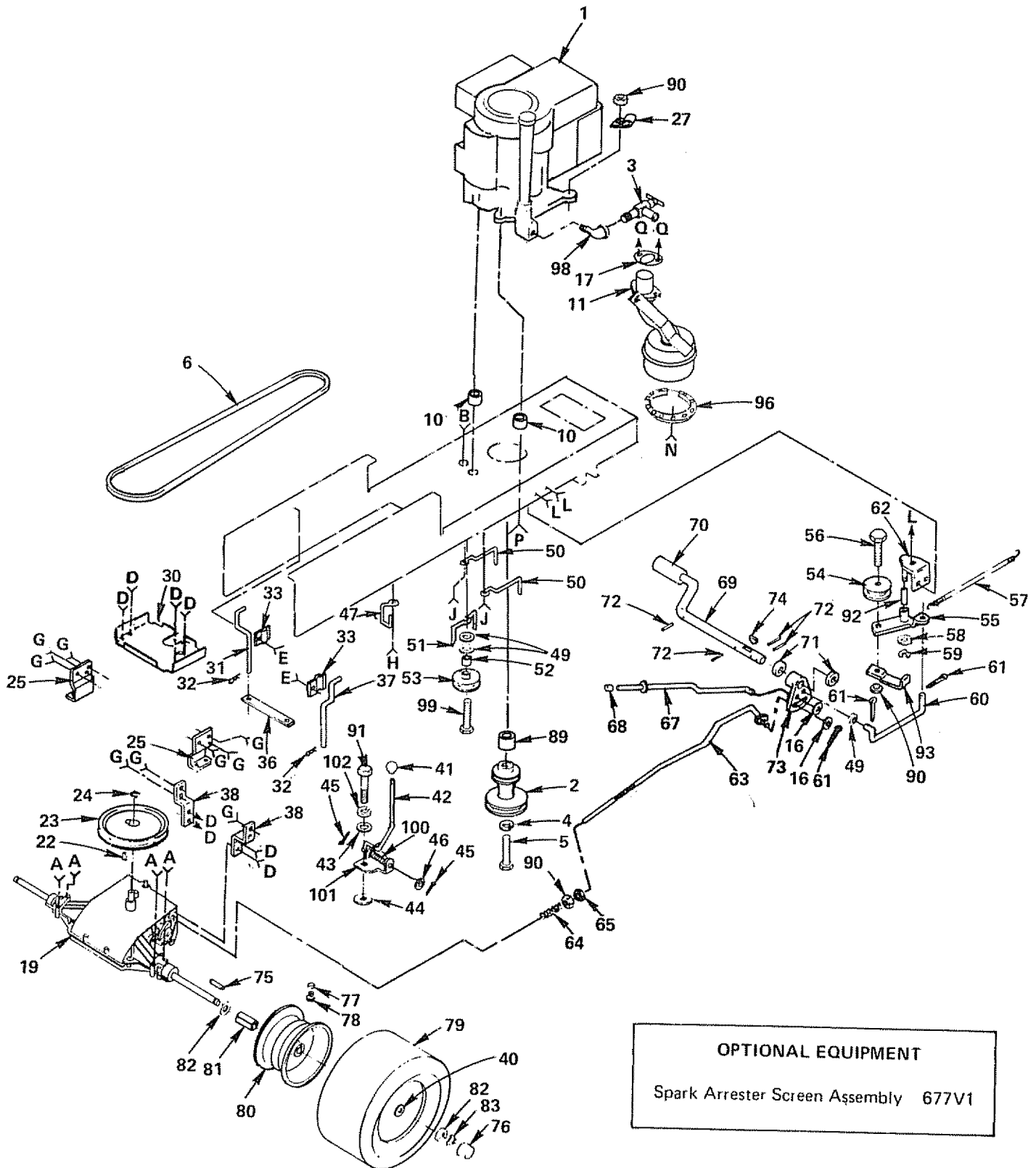
*STANDARD HARDWARE--PURCHASE LOCALLY



REPAIR PARTS

12 H.P. 38" RIDING LAWN TRACTOR--MODEL NUMBER 917.255741

DRIVE



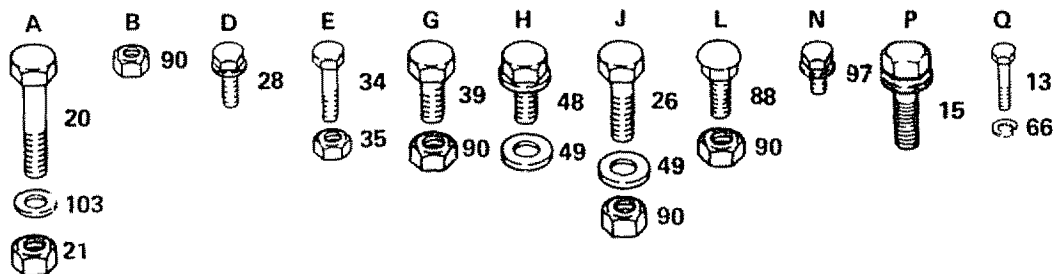
REPAIR PARTS

12 H.P. 38" RIDING LAWN TRACTOR--MODEL NUMBER 917.255741

DRIVE

KEY NO.	PART NO.	DESCRIPTION	KEY NO.	PART NO.	DESCRIPTION
1	108872X	Engine, 12 H.P. Model No. 143.366202	49	19131312	Washer 13/32 x 13/16 x 12 Ga.
2	105731X	Pulley, Engine	50	105730X	Keeper, Belt, Engine
3	9767H	Valve, Drain Oil	51	106191X	Keeper, Belt
4	STD551143	*Washer, Lock, 7/16	52	4470J	Spacer
5	74770728	Bolt, Hex 7/16 - 20 x 1 - 3/4	53	4859J	Idler, Flat
6	105732X	V-Belt, Drive	54	106298X	Pulley, Idler
0	101200K	Spacer - Engine	55	105705X	Bellcrank Assembly (Inc. Key No. 92)
1	108835X	Muffler	56	STD523715	*Bolt, Hex 3/8 - 16 x 1 - 1/2
13	74030510	Bolt, Fil. Hd. Cross, Recess 5/16 - 18 x 5/8	57	105709X	Spring, Return, Clutch
15	17490632	Screw, Hex Washer Thd. Rolling 3/8 - 16 x 2	58	207J	Washer, Hardened
16	19131316	Washer 13/32 x 13/16 x 16 Ga.	59	12000039	Ring, Klip
17	2949R	Gasket, Muffler	60	105710X	Link, Clutch
19	108868X	Transaxle, 6 Speed, Model No. 143.920-002 (See pages 36 and 37 for parts breakdown)	61	76020412	Pin, Cotter 1/8 x 3/4
20	STD523127	*Bolt, Hex 5/16 - 18 x 2 - 3/4	62	105724X	Bracket, Clutch
21	73680500	Nut, Lock 5/16 - 18	63	109127X	Rod, Brake
22	STD580025	*Key, Woodruff	64	106888X	Spring, Rod, Brake
23	105703X	Pulley, Transaxle	65	73350600	Nut - Jam 3/8 - 16
24	12000028	Ring, Retainer	66	STD551131	*Washer - Lock 5/16
25	3723J	Bracket, Transaxle	67	105758X	Rod, Brake, Parking
26	STD523710	*Bolt, Hex 3/8 - 16 x 1	68	71673	Cap - Plunger
27	2751R	Clip - Fuel Line	69	109037X	Shaft, Foot Pedal
28	17490512	Screw, Hex Washer Thread Rolling 5/16 - 18 x 3/4	70	8883R	Cover - Pedal
30	108171X	Support, Battery	71	19252016	Washer 25/32 x 1 - 1/4 x 16 Ga.
31	109368X	Keeper, Belt, L.H.	72	STD571810	*Pin, Roll, 3/16 x 1
32	4921H	Retainer, Spring	73	106918X	Arm, Brake
33	106190X	Clamp	74	STD580025	*Key, Woodruff
34	STD523107	*Bolt, Hex 5/16 - 18 x 3/4	75	STD580105	*Key, Square 3/16 x 2
35	73680500	Nut, Lock 5/16 - 18	76	104757X	Cap, Hub, Rear
36	109370X	Strap, Locator	77	59192	Cap, Valve
37	109369X	Keeper, Belt, R.H.	78	65139	Stem, Valve
38	106360X	Strap, Torque, Transaxle	79	106268X	Tire, Rear - 18 x 9.50 x 8
39	STD523707	*Bolt, Hex 3/8 - 16 x 3/4	80	7152J	Tube, Tire (not furnished with tractor)
40	19252616	Washer 25/32 x 1 - 5/8 x 16 Ga.	81	106108X	Rim Assembly, Rear
41	106933X	Knob, Shift	82	108870X	Spacer, Split
42	105699X	Rod, Shift	83	19252016	Washer 25/32 x 1 - 1/4 x 16 Ga.
43	19091210	Washer 9/32 x 3/4 x 10 Ga.	88	12000001	E-Ring
44	106362X	Washer - Shift, Plate	89	STD533707	*Bolt, Carriage 3/8 - 16 x 3/4
45	STD561210	*Cotter Pin, 1/8 x 1	90	6404J	Spacer, Engine, Pulley
46	19151216	Washer 15/32 x 3/4 x 16 Ga.	91	73680600	Nut, Lock 3/8 - 16
47	104777X	Retainer, Belt	92	71040412	Bolt - Fin. Hex 1/4 - 28 x 3/4
48	17490612	Screw, Hex Washer Thd. Rolling 3/8 - 16 x 3/4	93	105706X	Bearing
			94	106499X	Retainer - Belt
			96	101326L	Deflector, Muffler
			97	17210806	Screw, Hex Washer No. 8 - 32 x 3/8
			98	13240300	Elbow - Street
			99	STD523727	*Bolt, Hex 3/8 - 16 x 2 - 3/4
			100	105700X	Spring - Torsion
			101	108843X	Plate, Shift
			102	STD551125	*Washer - Lock 1/4
			103	STD551031	*Washer 11/32 x 11/16 x 16 Ga.

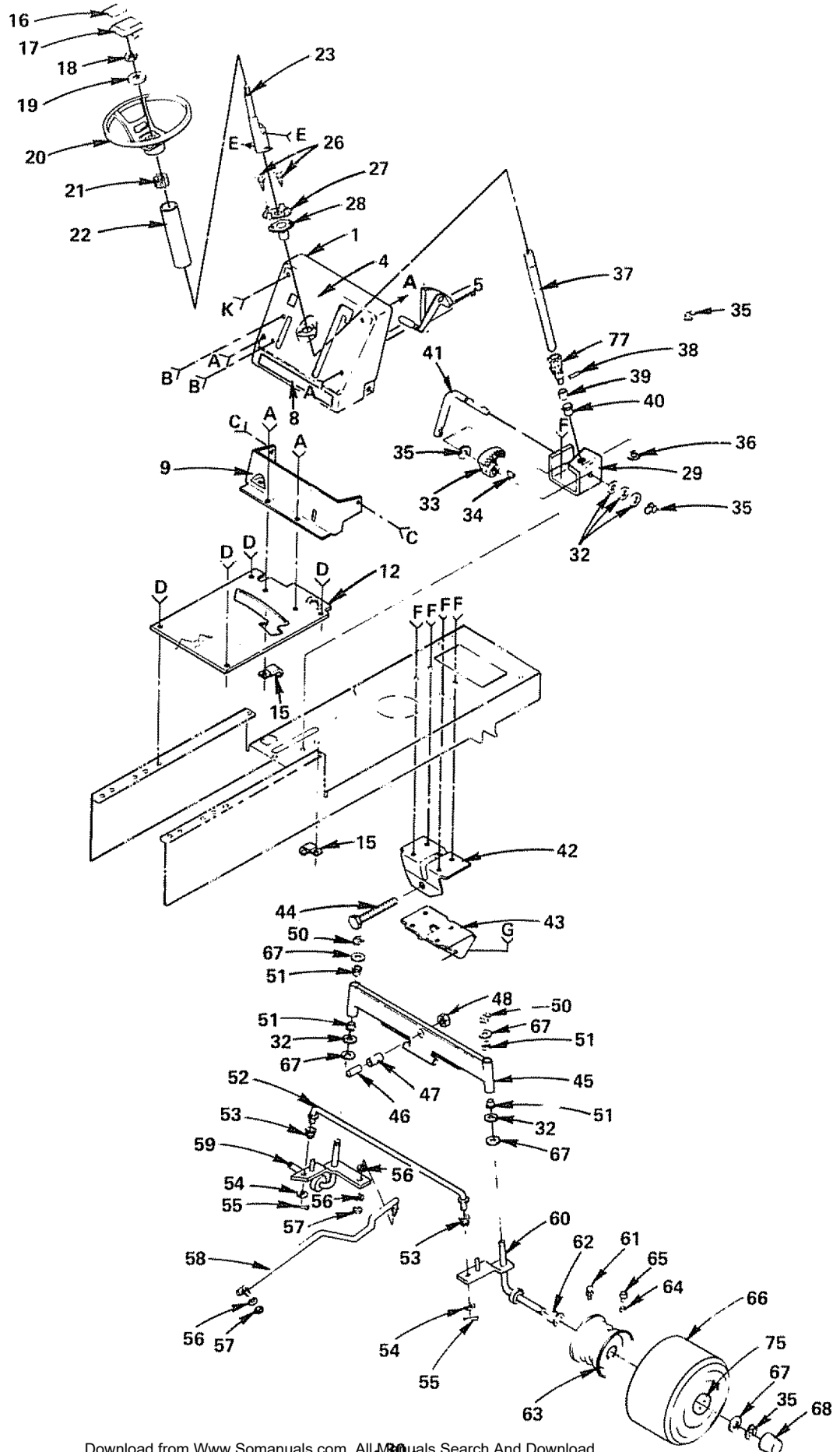
*STANDARD HARDWARE--PURCHASE LOCALLY



REPAIR PARTS

12 H.P. 38" RIDING LAWN TRACTOR--MODEL NUMBER 917.255741

STEERING AND FRONT AXLE



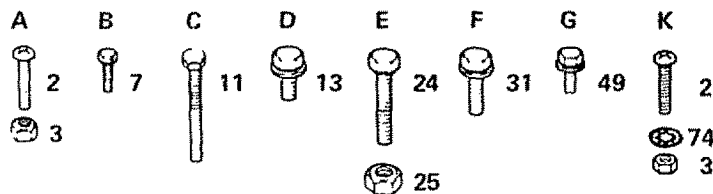
REPAIR PARTS

12 H.P. 38" RIDING LAWN TRACTOR--MODEL NUMBER 917.255741

STEERING AND FRONT AXLE

KEY NO.	PART NO.	DESCRIPTION	KEY NO.	PART NO.	DESCRIPTION
1	105620X	Dash	36	101930X	Washer Hardened
2	74180512	Screw - Truss Hd, Cross Recess 5/16 - 18 x 3/4	37	109068X	Shaft - Steering - Lower
3	73510500	Nut - Keps 5/16 - 18	38	2882J	Pin - Drive 3/16 x 1
4	105800X	Decal - Dash Panel	39	74580	Spacer .627 x .88 x .695
5	108793X	Control - Throttle	40	71208	Bushing
7	17720408	Screw - Hex Thread Cut. 1/4 - 20 x 1/2	41	108683X	Rod - Steering
8	108456X	Decal - Dash Lower	42	105663X	Support - Saddle - Rear
9	105621X	Dash - Lower	43	105664X	Support - Saddle - Front
11	17190508	Screw - Hex Washer Hd, Thread Cut 5/16 - 18 x 1/2	44	74761060	Bolt - Hex 5/8 - 11 x 3 - 3/4
12	108842X P	Saddle	45	105669X	Axle - Front
13	17490608	Screw - Hex Washer Hd, Thread Rolling 3/8 - 16 x 1/2	46	105725X	Spacer - Axle
15	2751R	Clip	47	105726X	Bearing - Axle
16	105810X	Decal - Cap, Steering Wheel	48	73901000	Nut - Lock, Flange 5/8 - 11
17	100710L	Insert - Steering Wheel	49	17490508	Screw - Hex Washer Thread Rolling 5/16 - 18 x 1/2 Type TT
18	STD541350	*Nut - Hex Jam 1/2 - 20	50	12000029	Klip Ring
19	100712K	Washer	51	3366R	Bearing
20	100713N	Wheel - Steering	52	105715X	Rod - Tie
21	100711L	Adapter - Steering Wheel	53	102792X	Bushing
22	105647X	Sleeve - Steering	54	19131416	Washer 13/32 x 7/8 x 16 Ga.
23	105643X	Shaft - Steering - Upper	55	76020412	Pin - Cotter 1/8 x 3/4
24	STD523712	*Bolt - Hex 3/8 - 16 x 1 - 1/4	56	STD551137	*Washer - Lock 3/8
25	73680600	Nut - Lock 3/8 - 16	57	STD541137	*Nut - Hex 3/8 - 24
26	17431008	Screw - Hex Self Tap. No. 10 - 16 x 1/2	58	105727X	Link - Drag
27	105646X	Bracket - Sleeve, Steering	59	105656X	Spindle - L.H.
28	1554J	Bushing - Steering	60	105654X	Spindle - R.H.
29	102531X	Bracket - Steering	61	278H	Fitting - Grease
31	17490612	Screw - Hex Washer Thread Rolling 3/8 - 16 x 3/4 Type TT	62	9040H	Bearing - Flange
32	6266H	Bearing - Thrust	63	106732X	Rim - 6" - Front
33	108684X	Gear - Sector	64	59192	Cap - Valve
34	106126X	Key - Woodruff	65	65139	Stem - Valve
35	12000029	Klip Ring	66	106222X	Tire - Rib 15 x 6.00 - 6
			---	59904	Tube - Front (not furnished with tractor)
			67	19252016	Washer 25/32 x 1 - 1/4 x 16 Ga.
			68	104757X	Cap - Hub - Front
			74	11150500	Washer, Lock, Int. Tooth 5/16
			75	19252616	Washer 25/32 x 1 - 5/8 x 16 Ga.
			77	108685X	Gear, Pinion

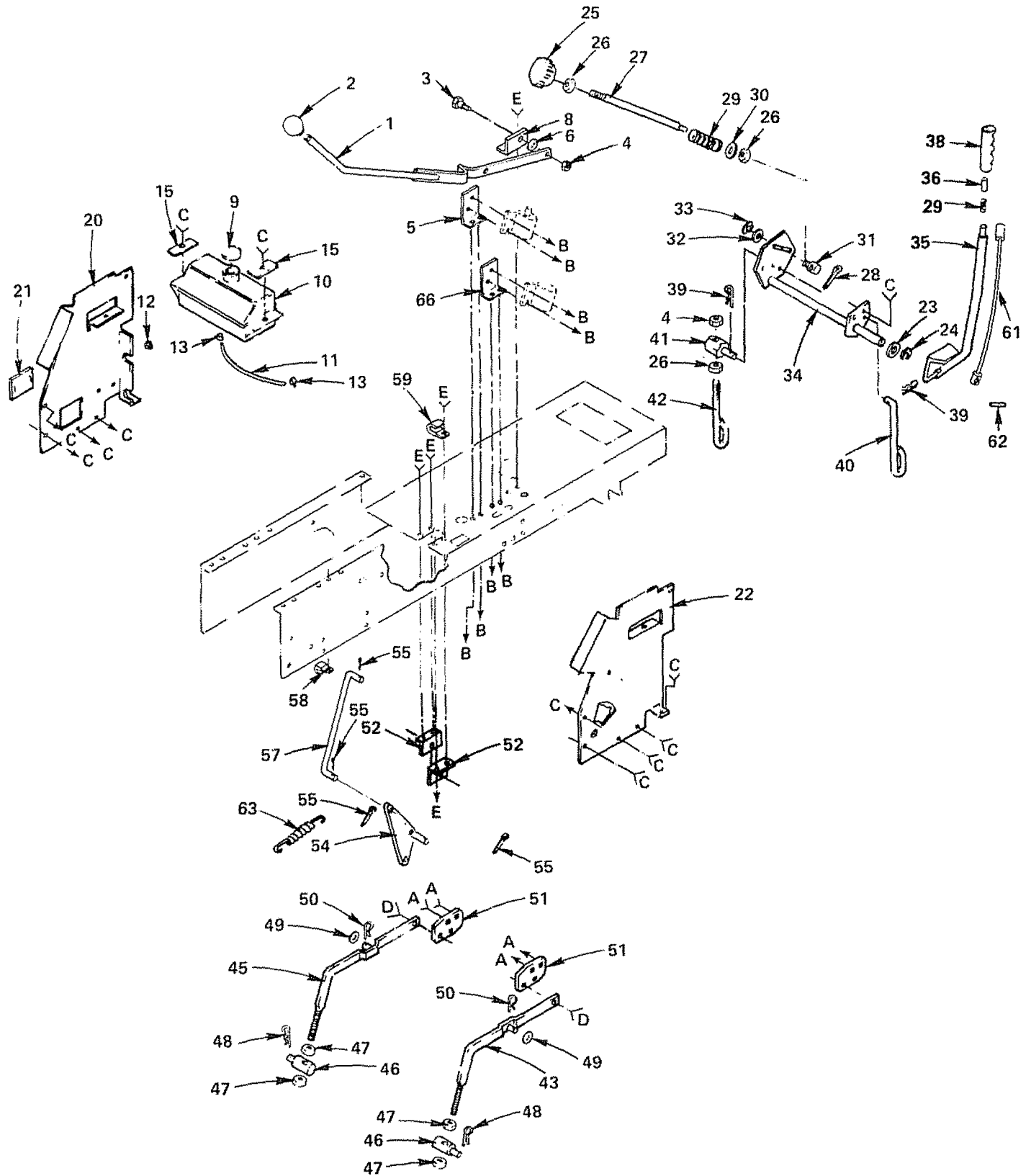
*STANDARD HARDWARE--PURCHASE LOCALLY



REPAIR PARTS

12 H.P. 38" RIDING LAWN TRACTOR-MODEL NUMBER 917.255741

LIFT ADJUSTMENT

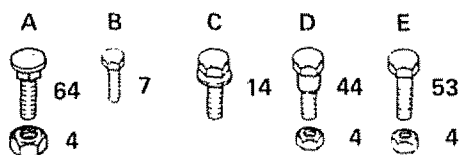


REPAIR PARTS

12 H.P. 38" RIDING LAWN TRACTOR--MODEL NUMBER 917.255741

LIFT ADJUSTMENT

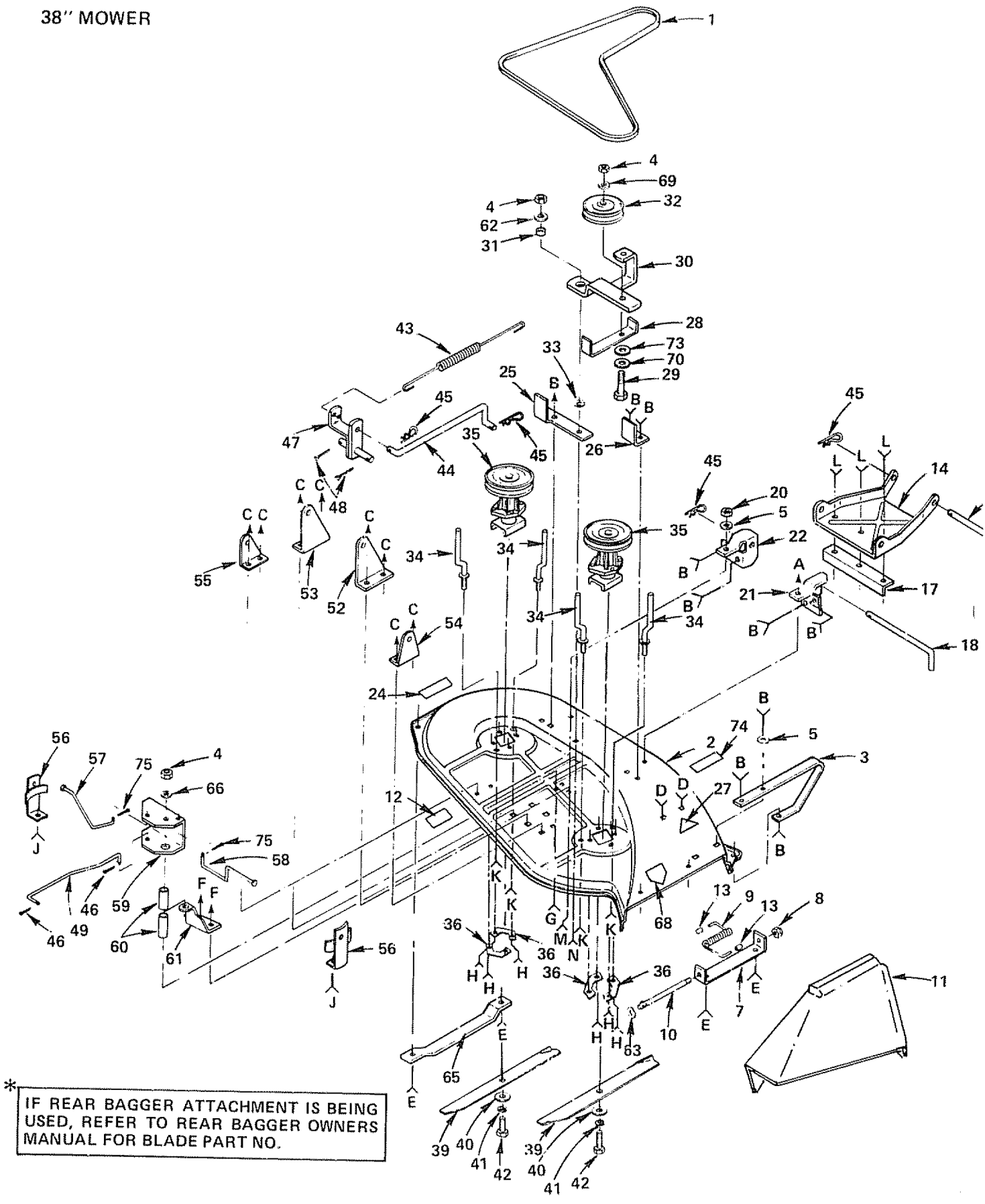
KEY NO	PART NO.	DESCRIPTION	KEY NO	PART NO	DESCRIPTION
1	106448X	Lever, Clutch, Mower	34	105754X	Shaft, Lift
2	106932X	Knob	35	105768X	Lever, Assembly
3	106451X	Bolt, Shoulder	36	105723X	Plunger
4	73680600	Nut, Lock, 3/8 - 16	38	106019X	Grip, Handle
5	106452X	Bracket, Switch, Interlock	39	4939M	Retainer, Spring
6	19171713	Washer 17/32 x 1 - 1/16 x 13 Ga.	40	105856X	Link, Lift
7	17021008	Screw, Hex, Tapping, No 10 - 24 x 1/2	41	106204X	Trunnion, Lift
8	106447X	Support, Lever, Clutch	42	105855X	Link, Lift, Adjustable
9	105965X	Cap, Fuel	43	105862X	Arm, Suspension, R H.
10	105738X	Tank, Fuel	44	105848X	Bolt, Shoulder, 3/8 - 16
11	101335K	Line, Fuel	45	105863X	Arm, Suspension, L.H.
12	9151R	Grommet	46	106308X	Trunnion, Lift, Lower
13	6999R	Clamp, Hose	47	STD541250	*Nut, Hex, 1/2 - 13
14	17490612	Screw, Hex Washer Thd Rolling 3/8 - 16 x 3/4	48	9135R	Retainer, Spring
15	106901X	Clamp, Tank, Fuel	49	19171416	Washer 17/32 x 7/8 x 16 Ga.
20	106920X	Panel, Dash, L.H	50	4921H	Retainer, Spring
21	105505X	Cover, Access	51	105864X	Bracket, Suspension
22	106921X	Panel, Dash, R.H	52	106444X	Bracket, Bellcrank
23	19292016	Washer 29/32 x 1 - 1/4 x 16 Ga.	53	STD523707	*Bolt, Hex 3/8 - 16 x 3/4
24	12000029	Klip Ring	54	106441X	Bellcrank Assembly
25	100734K	Knob	55	76020412	Pin, Cotter, 1/8 x 3/4
26	STD541237	*Nut, Hex Jam 3/8 - 16	57	106446X	Rod, Clutch, Primary
27	105686X	Rod, Adjust, Lift	59	5320R	Clip
28	76020308	Pin, Cotter 3/32 x 1/2	61	105764X	Rod Assembly - Lever, Lift
29	2876H	Spring	62	105767X	Pin - Groove
30	19131016	Washer 13/32 x 5/8 x 16 Ga.	63	106810X	Spring - Extension
31	101272K	Trunnion, Depth Adjustment	64	72140606	Bolt, Carriage 3/8 - 16 x 3/4
32	19151216	Washer 15/32 x 3/4 x 16 Ga	66	108236X	Bracket, Switch
33	12000037	Klip Ring			*STANDARD HARDWARE--PURCHASE LOCALLY



REPAIR PARTS

12 H.P. 38" RIDING LAWN TRACTOR--MODEL NUMBER 917.255741

38" MOWER



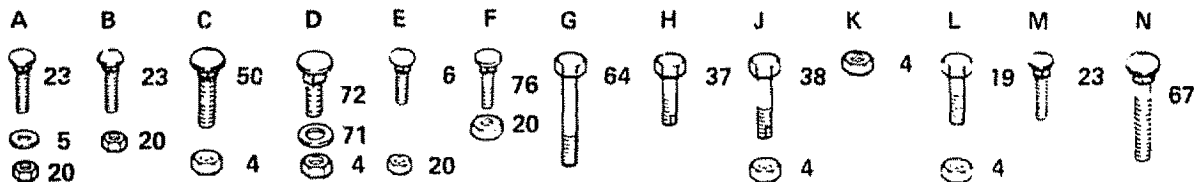
REPAIR PARTS

12 H.P. 38" RIDING LAWN TRACTOR--MODEL NUMBER 917.255741

38" MOWER

KEY NO	PART NO.	DESCRIPTION	KEY NO	PART NO.	DESCRIPTION
1	106085X	V-Belt	39	106634X	Blade, 36"
2	105689X	Housing	40	19132012	Washer 13/32 x 1 - 1/4 x 12 Ga
3	8417J	Runner, R.H.	41	STD551137	*Washer, Lock, 3/8"
4	73680600	Nut, Lock, 3/8 - 16	42	STD623715	*Bolt, Hex, 3/8 - 24 x 1 - 1 2 Gr 5
5	19111216	Washer, 11/32 x 3/4 x 16 Ga.	43	108250X	Spring, Ext
6	72140505	Bolt, Carr, 5/16 - 18 x 5/8	44	108235X	Rod - Clutch, Mower
7	105896X	Bracket, Deflector	45	4921H	Spring - Retainer
8	5846R	Nut	46	STD560907	*Pin - Cotter, 3 32 x 3 4
9	106734X	Spring, Deflector	47	108068X	Rock Shaft Assembly
10	106735X	Rod - Hinge	48	76020616	Pin, Cotter, 3/16 x 1
11	106736X	Deflector - Shield	49	108247X	Rod, Brake, Primary
12	105814X	Decal	50	STD533707	*Bolt, Carr, 3/8 - 16 x 3 4
13	105304X	Cap	52	108243X	Bracket, Pivot, R H
14	105662X	Link, Parallel	53	108241X	Bracket, Pivot, L H
15	105744X	Pin - Hinge, Front	54	105857X	Bracket, Susp. Rear, R H
17	105872X	Stop, Link	55	108673X	Bracket, Susp., Rear, L H
18	105743X	Pin - Hinge, Rear	56	106578X	Brake Assembly
19	STD523707	*Bolt 3/8 - 16 x 3/4	57	106463X	Rod, Brake, Secondary L H
20	73680500	Nut, Lock 5/16 - 18	58	108249X	Rod, Brake, Secondary, R H
21	105659X	Bracket, Lift, R.H.	59	106456X	Bracket, Brake, Pivot
22	105660X	Bracket, Lift, L.H.	60	100672K	Spacer, Brake
23	STD533107	*Bolt, Carr, 5/16 - 18 x 3/4	61	100673L	Bracket, Support
24	3713J	Instruction - Caution Decal	62	106514X	Washer, Wear 3 16
25	106295X	Support, Arm	63	19111016	Washer, 11/32 x 5/8 x 16 Ga
26	105850X	Stop, Deck, Front	64	74760684	Bolt, 3/8 - 16 x 5 - 1/4
27	106975X	Decal - Safety Standard	65	7631J	Runner, L.H.
28	106461X	Guide, Belt	66	19131614	Washer 13/32 x 1 x 14 Ga.
29	STD523720	*Bolt 3/8 - 16 x 2"	67	72140610	Bolt, Carr, 3 8 - 16 x 1 - 1 4
30	108832X	Arm, Idler	68	78850	Decal - Warning
31	106902X	Spacer	69	19141614	Washer 7 16 x 1 x 14 Ga.
32	102403X	Pulley, Idler	70	STD551037	*Washer 13 32 x 13 16 x 16 Ga
33	106513X	Washer, Wear, 1/16	71	19141610	Washer 7 16 x 1 x 10 Ga.
34	102669X	Keeper, Belt	72	72110606	Bolt, Carriage 3 8 - 16 x 3 4
35	105891X	Mandrel Assembly	73	19132012	Washer 13 32 x 1 - 1 4 x 12 Ga.
36	100668L	Plate, Support, Mandrel	74	106679X	Decal - Warning
37	17490612	Screw, Hex Washer Hd. 3/8 - 16 x 3/4	75	76020308	Pin, Cotter 3 32 x 1 2
38	17490620	Screw, Hex Washer Hd. 3/8 - 16 x 1 - 1/4	76	72110506	Bolt, Carriage 5 16 - 18 x 3 4

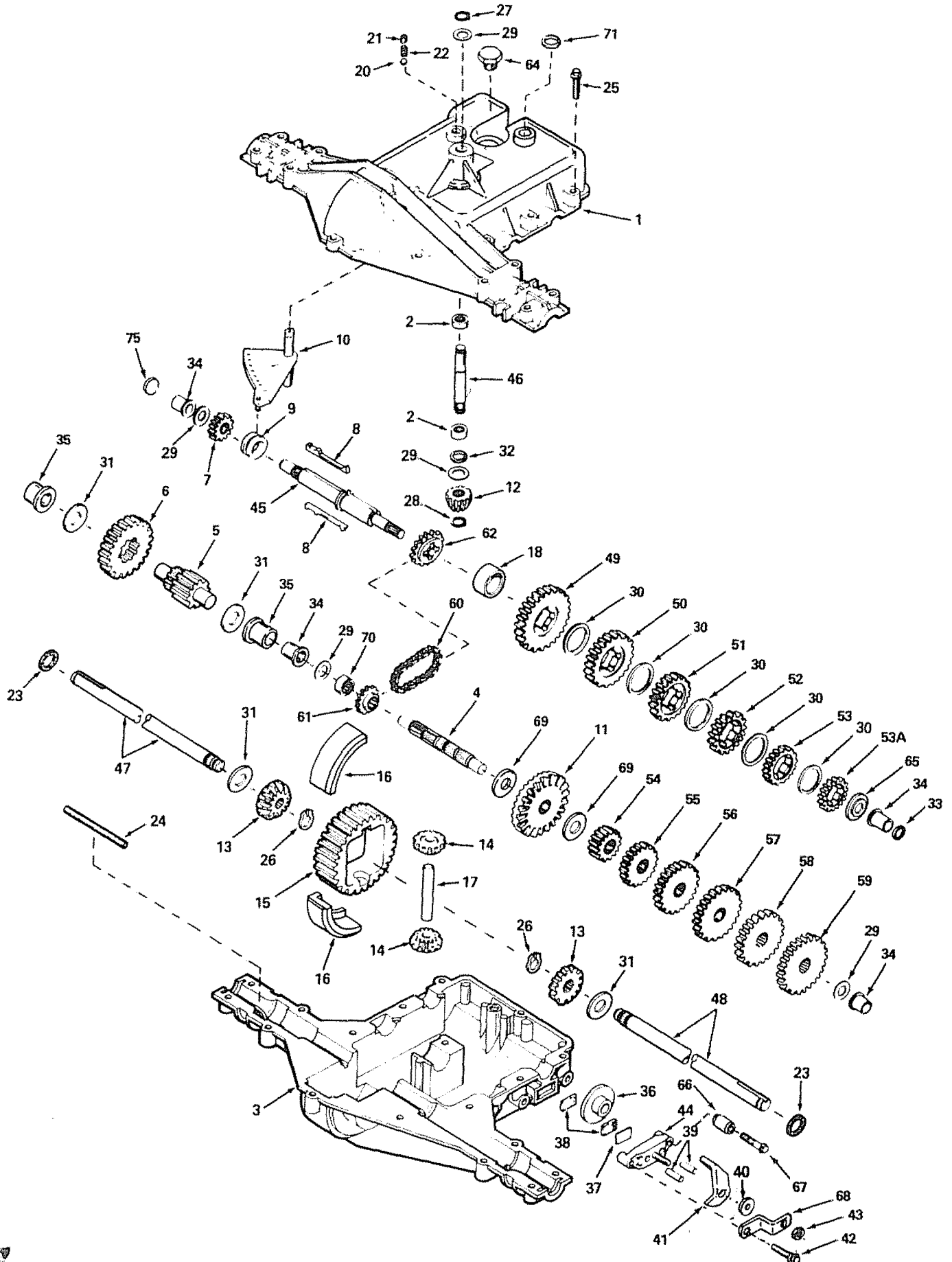
*STANDARD HARDWARE--PURCHASE LOCALLY



* IF REAR BAGGER ATTACHMENT IS BEING USED, REFER TO REAR BAGGER OWNERS MANUAL FOR BLADE PART NO.

REPAIR PARTS

12 H.P. 38" RIDING LAWN TRACTOR--MODEL NUMBER 917.255741
TRANSAXLE--MODEL NUMBER 143.920-002



REPAIR PARTS

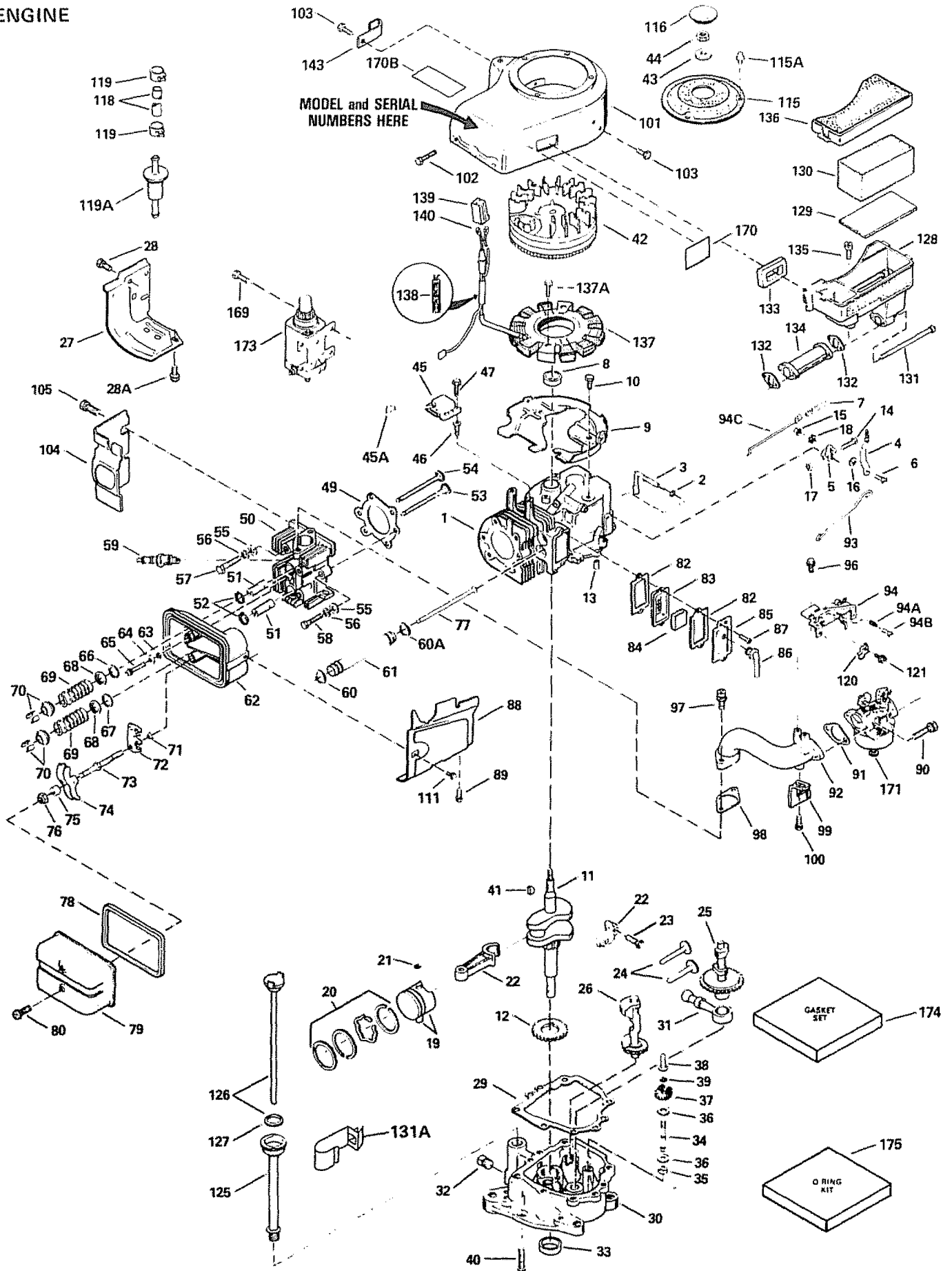
12 H.P. 38" RIDING LAWN TRACTOR--MODEL NUMBER 917.255741
TRANSAXLE--MODEL NUMBER 143.920-002

KEY NO.	PART NO.	DESCRIPTION	KEY NO.	PART NO.	DESCRIPTION
1	772094	Cover, Transaxle	38	790006	Pad, Brake
2	780086	Bearing, Needle	39	786026	Pin, Dowel
3	770082	Case, Transaxle	40	792076	Washer, Flat
4	776260	Shaft, Counter	41	790038	Lever, Brake
5	776219	Shaft & Pinion Assy., Output	42	792073	Screw, Flanged hex hd. thread forming, 1/4-20 x 1-1/4
6	778139	Gear, Output	43	792075	Nut, Lock, 5/16-24
7	778136	Gear, Spur (15 teeth)	44	790025	Holder, Brake pad
8	792123	Key	45	776259	Shaft, Brake
9	784216	Collar, Shifter	46	776135	Shaft, Input
10	784337	Rod & Fork Assy., Shift	47	774690	Axle (11-15/16 long)
11	778188	Gear, Bevel (42 teeth)	48	774691	Axle (16-1/2" long)
12	778113A	Bevel Pinion, Input	49	778146A	Gear, Spur (37 teeth)
13	778221	Gear, Bevel	50	778125	Gear, Spur (35 teeth)
14	778068	Gear, Bevel pinion	51	778124A	Gear, Spur (30 teeth)
15	778165	Gear, Ring	52	778123A	Gear, Spur (25 teeth)
16	786101	Block, Bearing	53	778122A	Gear, Spur (22 teeth)
17	786040	Pin, Drive	53A	778209	Gear, Spur (19 teeth)
18	786110	Spacer	54	778211	Gear, Spur (12 teeth)
20	792077	Ball, Steel (5/16" dia.)	55	778151	Gear, Spur (15 teeth)
21	792078	Set Screw, 3/8-16 x 3/8	56	778126A	Gear, Spur (20 teeth)
22	792079	Spring	57	778127A	Gear, Spur (25 teeth)
23	788061	Ring, Felt	58	778128A	Gear, Spur (28 teeth)
24	788062	Packing, Felt	59	778163	Gear, Spur (31 teeth)
25	792073	Screw, Flanged hex hd. thread forming, 1/4-20 x 1-1/4	60	786081	Chain, Roller (No. 41 chain, 24 links)
26	792048	Ring, Retainer	61	786082	Sprocket (9 teeth)
27	792035	Ring, Retainer	62	786107	Sprocket (18 teeth)
28	788040	Ring, Retainer	64	792074	Plug, Hex hd., 9/16-18 thread
29	780072	Washer, Thrust	65	780109	Washer, Thrust
30	780108	Washer, Thrust	66	786067	Spacer
31	780001	Washer	67	792085	Screw, Flanged hex hd. thread forming 1/4-20 x 2-1/4
32	792001	"O" Ring	68	786086	Bracket, Brake lever
33	788051	Seal, Square cut	69	780051	Washer, Thrust
34	780105A	Bushing, Flanged	70	786118	Spacer
35	780118A	Bushing, Flanged	71	788069	Seal, Square cut
36	790003	Disk, Brake	75	786116	Disk
37	790007	Plate, Brake pad			

REPAIR PARTS

12 H.P. 38" RIDING LAWN TRACTOR--MODEL NUMBER 917.255741
ENGINE--MODEL NUMBER 143.366202

ENGINE



REPAIR PARTS

12 H.P. 38" RIDING LAWN TRACTOR--MODEL NUMBER 917.255741 ENGINE--MODEL NUMBER 143.366202

ENGINE

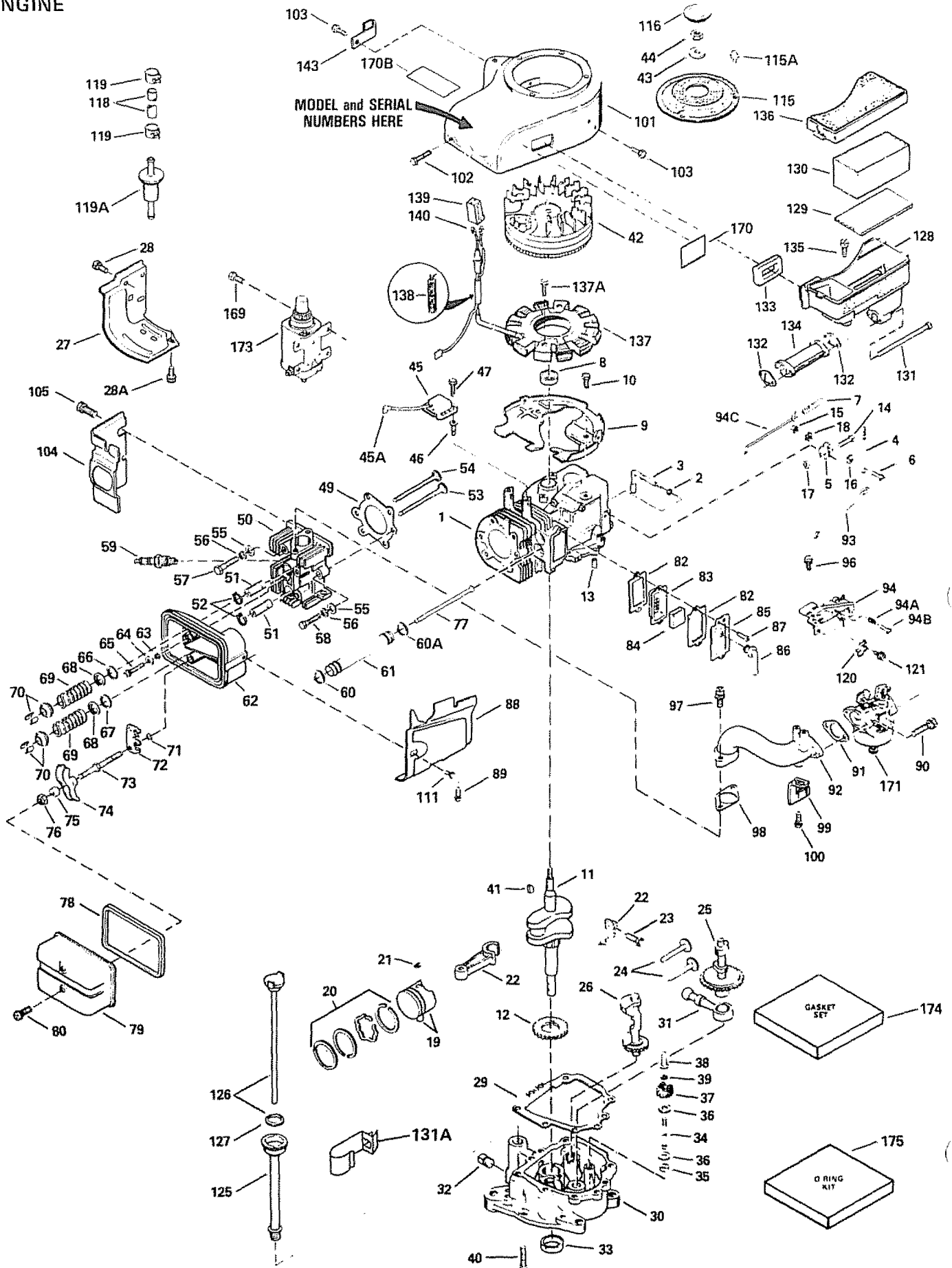
KEY NO.	PART NO.	DESCRIPTION	KEY NO.	PART NO.	DESCRIPTION
1	35323	Cylinder Assy (Incl. Nos 8 & 13)	65	32610A	Screw, Flanged hex hd., 1/4-20 x 29/32
2	28277	Washer, Flat	66	†*33509	"O" Ring (Intake)
3	35324	Rod, Governor	67	†*34410	"O" Ring (Exhaust)
4	32651	Lever, Governor	68	33510	Cap, Valve spring
5	29916	Clamp, Throttle lever	69	33507	Spring, Valve
6	650548	Screw, Hex washer hd., 8-32 x 5/16	70	33508	Cap, Valve spring keeper
7	35203	Spring, Control	71	†*35295	"O" Ring
8	35319	Seal, Oil	72	35296	Guide, Push rod
9	35326	Baffle, Blower housing	73	650878	Stud, Rocker arm
10	650561	Screw, Hex washer hd. Durlok, 1/4-20 x 5/8	74	35297	Arm, Rocker
11	35336	Crankshaft Assy. (Counterbalance)	75	35298	Bearing, Rocker arm
12	35327	Gear, Counterbalance	76	28264	Nut, Lock
13	27652	Pin, Dowel	77	33471	Rod, Push
14	29826	Screw, Hex washer hd., 10-32 x 3/4	78	†*35299	"O" Ring
15	29216	Nut, Lock	79	35300	Cover, Rocker arm housing
16	29918	Washer, E.T. Lock	80	†*650879	Screw, Pan hd. w/sealing
17	30322	Nut & Washer, 10-32 "Keps"			Lockwasher, 8-32 x 1/2
18	29642	Ring, Retaining	82	*27896	Gasket, Valve cover
19	35329	Piston & Pin Assy. (Std.) (Incl. No. 21)	83	28423	Body, Breather
20	34866	Ring Set, Piston (Std.)	84	28424	Element, Breather
21	31919	Ring, Piston pin retaining	85	28425	Cover, Valve spring box
22	35330	Rod Assy., Connecting (Incl. No. 23)	86	35350	Tube, Breather
23	650882	Screw, Connecting rod	87	650128	Screw, Fil. hd. Sems, 10-24 x 1/2
24	35313	Lifter, Valve	88	35301	Extension, Blower housing
25	35314	Camshaft Assy (Mech. Compression Release)	89	650128	Screw, Fil. hd. Sems, 10-24 x 1/2
26	35315	Weight Assy., Counterbalance	90	650517	Screw, Fil. flex hd., 1/4-20 x 7/8
27	35316	Extension, Blower housing	91	*33263	Gasket, Carburetor to intake pipe
28	650128	Screw, Fil. hd Sems, 10-24 x 1/2	92	35304	Pipe, Intake
28A	30688	Screw, Hex hd. Sems, 1/4-20 x 1/2	93	35302	Link, Governor
29	*35317	Gasket, Mounting flange	94	34109A	Bracket Assy., Control (Incl. Nos. 94A & 94B)
30	35318	Flange, Mounting (Incl. Nos. 32, 33 & 34)	94A	31342	Spring, Compression
31	31356	Pump Assy., Oil	94B	650549	Screw, Fil. hd. 5-40 x 7/16
32	31927	Plug, Oil drain	94C	35346	Link, Governor spring
33	35319	Seal, Oil	96	30200	Screw, Hex washer hd. self-tap Sems, 10-24 x 9/16
34	35320	Shaft, Governor	97	792028	Screw, Hex hd. Sems, 5/16-18 x 7/8
35	31707A	Spacer, Governor gear (Incl. No. 36)	98	*33515	Gasket, Intake pipe
36	30590A	Washer, Flat	99	35288	Brace, Intake pipe
37	35321	Gear Assy., Governor	100	650738	Screw, Hex washer spinlock hd. thread forming, 1/4-20 x 5/8
38	35322	Spool, Governor			Housing, Blower
39	29193	Ring, Retaining	101	35338	Screw, Hex hd. Sems, 1/4-20 x 1/2
40	650833	Screw, Hex washer hd. Powerlok, 1/4-20 x 1-3/16	102	30688	Screw, Phil. Hex hd. Sems, 5/16-24 x 21/32
41	32589	Key, Flywheel	103	29747B	Cover, Cylinder head
42	611093	Flywheel (3 Amp, w/ring gear)	104	35290	Screw, Fil. hd. Sems, 5/16-18 x 1/2
43	650880	Washer, Lock	105	650273	Screw, Hex hd. Sems, 1/4-20 x 1/2
44	650881	Nut, Flywheel	111	30688	Screen, Starter
45	35135	Solid State Assy. (Incl. No. 45A)	115	35411	Pop, Rivet (Can be purchased locally)
45A	610118	Cover, Spark plug	115A		Plug, Blower housing
46	650872	Stud, Solid State Assy.	116	34113	Line, Fuel
47	650814	Screw, Hex hd. Sems, 10-24 x 1	118	29774	Clamp, Fuel line
49	*35306	Gasket, Cylinder head	119	26460	Filter, Fuel (Incl. No. 119)
50	35307	Head Assy., Cylinder	119A	34279A	Clip, Conduit
51	730218	Valve Guide Kit (Incl. 2 of No. 52)	120	27793	Screw, Hex washer hd. Sems, 10-32 x 3/8
52	34315	Ring, Retaining	121	28942	Tube, Oil fill
53	35308	Valve, Exhaust (Std.)			Dipstick, Oil (Incl. No. 127)
54	35309	Valve, Intake (Std.)	125	33992A	"O" Ring
55	650691	Washer, Flat	126	33589A	Body, Air cleaner
56	650690	Washer, Belleville	127	33590	Filter, Felt air cleaner
57	650746	Screw, Hex hd., 5/16-18 x 3/8	128	34909	Filter, Air cleaner
58	650692	Screw, Hex hd., 5/16-18 x 1-3/4	129	35108	Screw, Fil. hd. Sems, 10-32 x 5-1/4
59	34046	Resistor Spark Plug (Champion RL-86C or equivalent)	130	34910	Clip
60	†*33481	"O" Ring	131	650875	
60A	†*35358	"O" Ring	131A	35437	
61	33480	Tube, Push rod			
62	35310	Housing, Rocker arm			
63	†*33484	"O" Ring			
64	650168	Washer, Flat			

*Indicates Parts Included in Gasket Set Key No 174.

REPAIR PARTS

12 H.P. 38" RIDING LAWN TRACTOR--MODEL NUMBER 917.255741
ENGINE--MODEL NUMBER 143.366202

ENGINE



REPAIR PARTS

12 H.P. 38" RIDING LAWN TRACTOR--MODEL NUMBER 917.255741
 ENGINE--MODEL NUMBER 143.366202

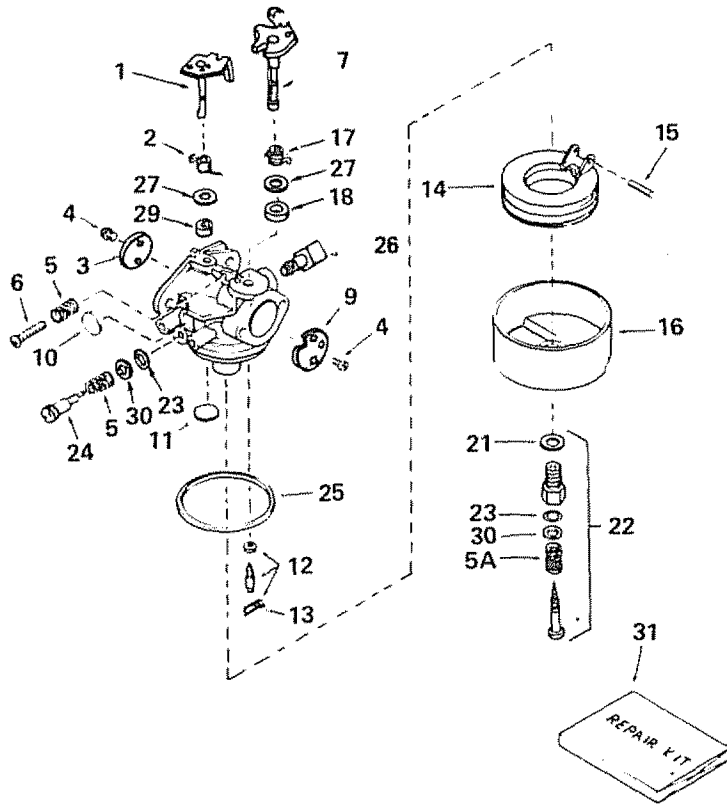
ENGINE

KEY NO.	PART NO.	DESCRIPTION	KEY NO.	PART NO.	DESCRIPTION
132	*33629	Gasket, Air cleaner elbow	169	30688	Screw, Hex hd. Sems, 1/4-20 x 1/2
133	*34912	Gasket, Air cleaner to housing	170	34346	Decal, instruction
134	35286	Adapter, Air cleaner	170B	34387	Decal, Instruction
135	650784	Screw, Hex hd. taptite, w/flatwasher, 10-24 x 11/16	171	632413	Carburetor (Incl. No. 91)
136	34911	Cover, Air cleaner	173	33605	Motor, Electric starter
137	611096	Coil Assy., Alternator (3 Amp D.C.) (Incl. Nos. 138, 139 & 140)	174	35331	Gasket Set (Incl. items marked *)
137A	650873	Screw, Hex hd. Sems, 1/4-20 x 3/4	175	35332	"O" Ring Kit (Incl. items marked †)
138	610935	Diode			*Indicates Parts Included in Gasket Set. Key No. 174.
139	610921	Connector Body			
140	610922	Female Terminal			
143	33997	Clip, Oil fill tube			†Indicates Parts Included in "O" Ring Kit, Key No. 175.

REPAIR PARTS

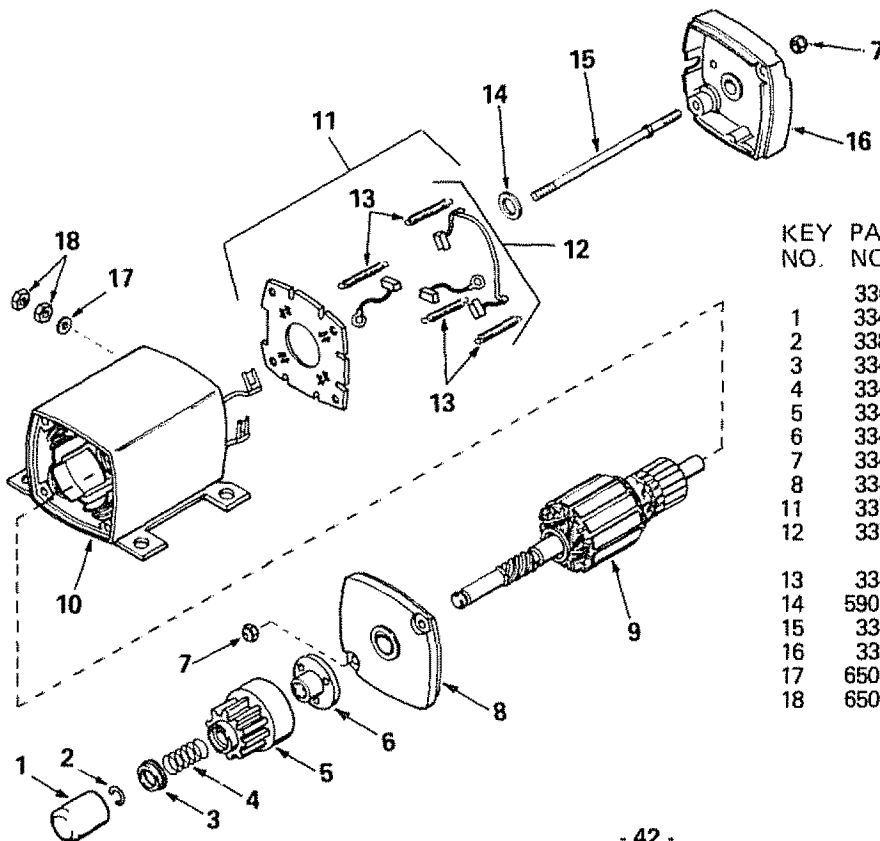
12 H.P. 38" RIDING LAWN TRACTOR--MODEL NUMBER 917.255741
ENGINE--MODEL NUMBER 143.366202

CARBURETOR NO. 632413



KEY PART NO.	NO.	DESCRIPTION
	632413	Carburetor
1	632243	Shaft & Lever Assy., Throttle
2	632244	Spring, Throttle return
3	632245	Shutter, Throttle
4	650506	Screw, Rd hd., 4-40 x 3/16
5	630766	Spring, Idle regulating screw
5A	630738	Spring, Main adjustment screw
6	650417	Screw, Idle regulating
7	632246	Shaft & Lever Assy., Choke
9	632248	Shutter, Choke
10	*630748	Plug, Welch
11	*631027	Plug, Welch
12	*631021	Inlet Needle, Seat & Clip Assy. (Incl. No. 13)
13	631022	Clip, Inlet needle
14	632019	Float, Carburetor
15	*631024	Shaft, Float
16	*631867	Bowl, Float
17	632247	Spring
18	631183	Washer, Felt
21	27110	Gasket, Bowl-to-body
22	*632239	Adjustment Screw Assy., Main (Incl. Nos. 5A, 21, 23 & 30)
23	630740	"O" Ring, Adjustment screw
24	*632281	Screw, Idle adjustment
25	*631028	Gasket, Bowl-to-body
26	631775	Fuel Fitting
27	631184	Washer
29	631971	Seal, Dust
30	630739	Washer, Flat
31	632347	Repair Kit (Incl items marked *)

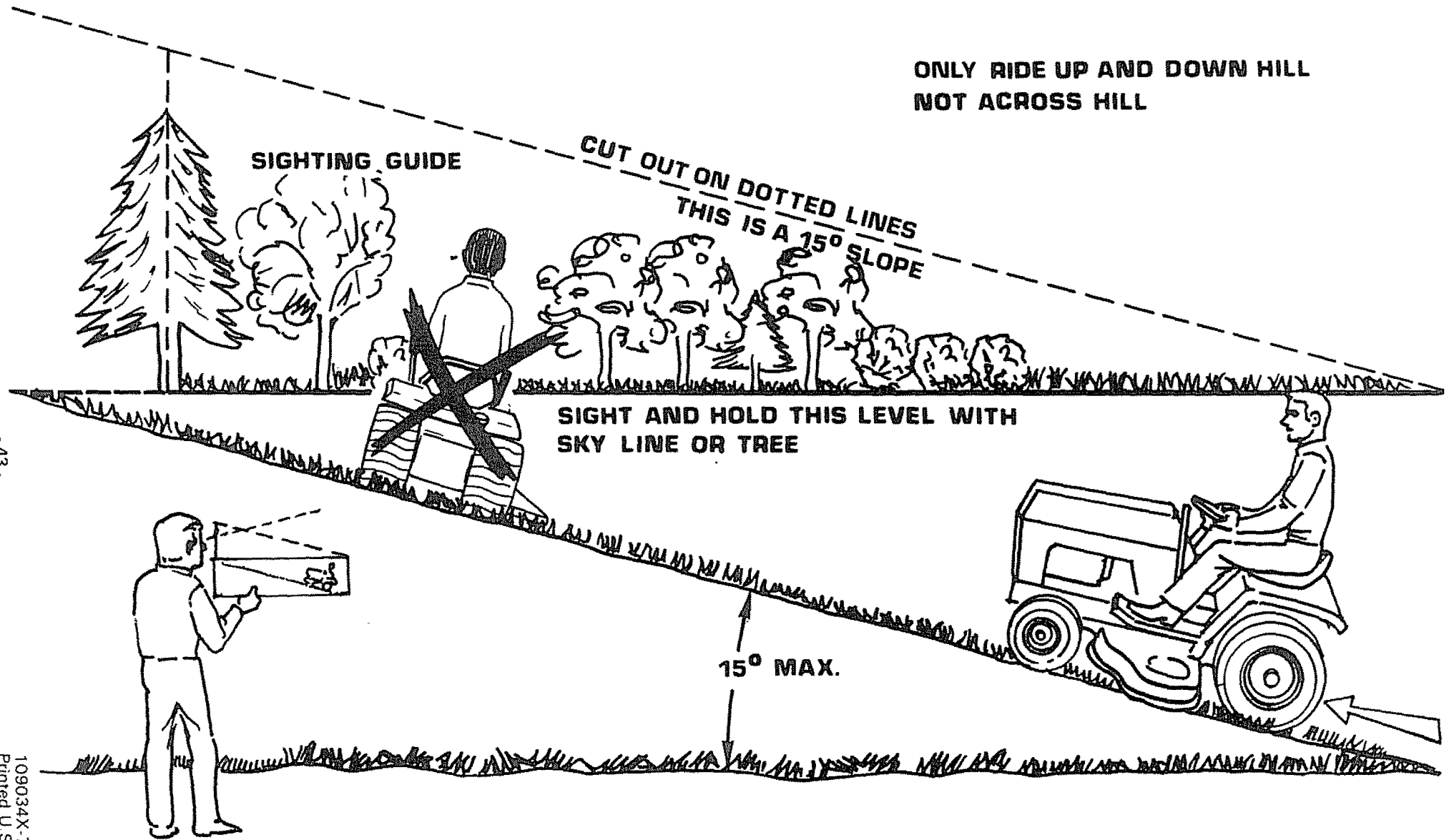
STARTER MOTOR NO. 33605



KEY PART NO.	NO.	DESCRIPTION
	33605	Starting Motor, Complete
1	33451	Cover, Dust
2	33842	Ring, Retainer
3	33430	Retainer, Spring
4	33431	Spring, Anti-drift
5	33432	Gear
6	33433	Nut, Engaging
7	33450	Nut, Lock
8	33434	Cap Assy., Drive end
11	33712	Card Assy., Brush (Incl. No. 12)
12	33705	Brush & Spring Kit (Incl. 4 pcs. of No. 13)
13	33440	Spring, Brush
14	590500	Washer, Thrust
15	33449	Bolt, 10-32 x 4-1/4
16	33706	Cap Assy., Commutator end
17	650168	Washer, Flat
18	650723	Nut, Hex

SUGGESTED GUIDE FOR SIGHTING SLOPES FOR SAFE OPERATION

**ONLY RIDE UP AND DOWN HILL
NOT ACROSS HILL**



Operate your Tractor up and down the face of slopes (not greater than 15°); never across the face. Make turns gradually to prevent tipping or loss of control. Exercise extreme caution when changing direction on slopes.

SEARS
OWNERS
MANUAL

MODEL NO.
917.255741

**HOW TO ORDER
REPAIR PARTS**

12 H.P.
38" RIDING
LAWN TRACTOR
ELECTRIC START

The Model Number will be found on the Model Plate attached to the Fender. Always mention the Model Number when requesting service or parts for your Lawn Tractor.

All parts listed herein may be ordered from any Sears Service Center/Departments and most Sears Retail Stores.

WHEN ORDERING REPAIR PARTS, ALWAYS GIVE THE FOLLOWING INFORMATION:

- THE PART NUMBER
- THE PART DESCRIPTION
- THE MODEL NUMBER
- THE NAME OF MERCHANDISE

If the parts you need are not stocked locally, your order will be electronically transmitted to a Sears Repair Parts Distribution Center for "expedited handling".

Sears, Roebuck and Co., Chicago, IL 60684 U.S.A.

Free Manuals Download Website

<http://myh66.com>

<http://usermanuals.us>

<http://www.somanuals.com>

<http://www.4manuals.cc>

<http://www.manual-lib.com>

<http://www.404manual.com>

<http://www.luxmanual.com>

<http://aubethermostatmanual.com>

Golf course search by state

<http://golfingnear.com>

Email search by domain

<http://emailbydomain.com>

Auto manuals search

<http://auto.somanuals.com>

TV manuals search

<http://tv.somanuals.com>