

# SP5660

Save This Manual For  
Future Reference

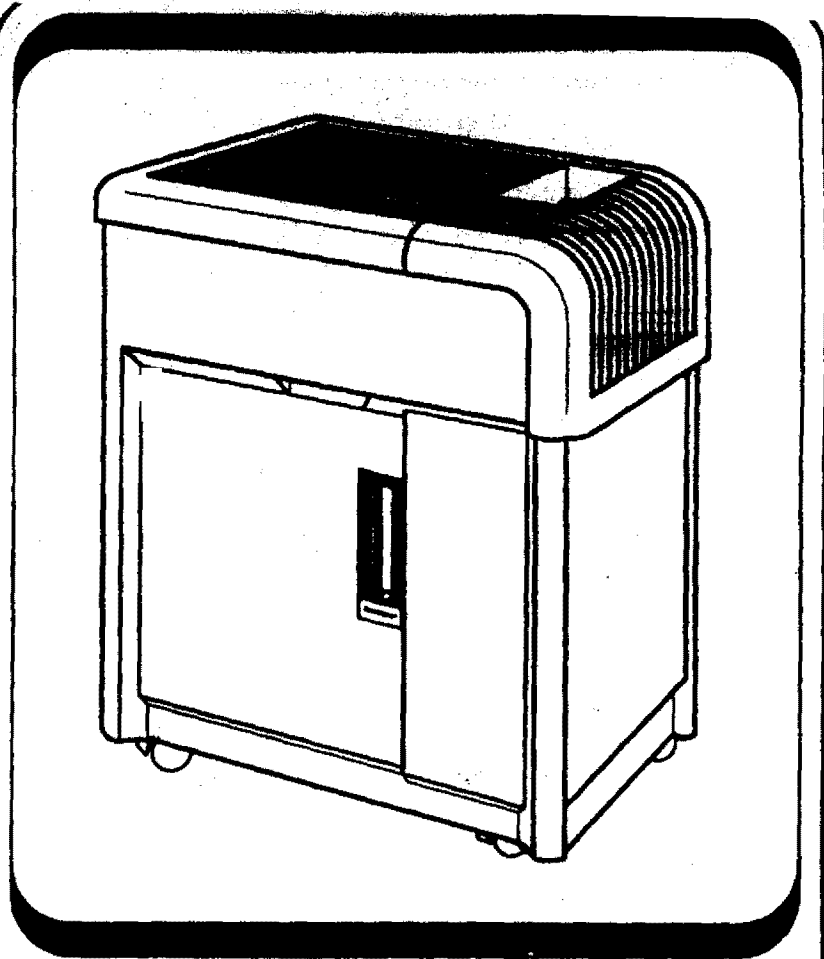
## SEARS

owner's  
manual

MODEL NO.  
**758.148080**

**FOR YOUR  
SAFETY**

READ ALL  
INSTRUCTIONS  
CAREFULLY



Kenmore™  
**QUIET COMFORT™**

**EVAPORATIVE  
CONSOLE  
HUMIDIFIER**

- Operating Instructions
- Parts List

Sold by SEARS, ROEBUCK AND CO., Chicago IL 60684 U.S.A.

Part No. SP5660

Printed in U.S.A.

### FULL ONE YEAR WARRANTY ON HUMIDIFIER

If, within one (1) year from the date of purchase, this humidifier fails due to defect in material or workmanship, Sears will repair it, free of charge. If, within two (2) years from the date of purchase, the motor fails due to defect in material or workmanship, we will repair it free of charge.

This warranty service is available by simply returning the humidifier to the nearest Sears Service Center/Department throughout the United States.

This warranty applies only while this product is used in the United States.

This warranty gives you specific legal rights, and you may also have other rights which vary from state to state.

SEARS, ROEBUCK AND CO., D817 WA, Hoffman Estates, IL 60195

## GENERAL SAFETY INSTRUCTIONS

1. To avoid fire or shock hazard, plug humidifier directly into a 120V, A.C. electrical outlet. Do not use extension cords.
2. Keep the electric cord out of traffic areas. To avoid fire hazard, never put the electric cord under rugs, near heat registers, radiators, stoves or heaters.
3. Always unplug the humidifier before moving it, removing the lid or motor support section, before cleaning, or whenever the humidifier is not in service.
4. When filling, be careful not to pour water into the control or motor area.
5. Keep the humidifier clean.
6. To help keep water clean, do not use humidifier without the lid in place.
7. Do not put foreign objects inside the humidifier.
8. Never use your humidifier while any part is missing or damaged in any manner.
9. To avoid electrical hazard or damage to humidifier, do not tilt, jolt or tip humidifier over while unit is running.
10. To avoid damage to humidifier, unplug humidifier when the tank is empty or when the humidifier is not in use.
11. To avoid accidental electrical shock, do not touch the cord or controls with wet hands.
12. Note the warning label shown below and on the humidifier.

## TABLE OF CONTENTS

Warranty .....	2
General Safety Instructions.....	2
Know Your Humidifier.....	3
Humidifier Operations .....	3
Caster Installation.....	4
Location Instructions .....	4
Electrical Hook-Up.....	4
Water Fill.....	4
Operating Humidifier Controls .....	5
Using Your Humidifier.....	6
Cleaning of Humidifier.....	6
Care of Filter .....	8
Troubleshooting.....	9
Repair Parts.....	10-11

## WARNING

To avoid injury, fire, or shock always remove plug from electrical outlet before filling, servicing or cleaning.

### TO SAVE A SERVICE CALL:

CHECK FOLLOWING IF YOUR HUMIDIFIER WILL NOT OPERATE.

1. IS POWER CORD ATTACHED TO OUTLET?
2. IS THERE ELECTRICAL POWER TO OUTLET?
3. IS AIRFLOW CONTROL IN OPERATING POSITION?
4. IS HUMIDITY CONTROL SET HIGH ENOUGH?
5. IS WATER LEVEL IN TANK HIGH ENOUGH TO ACTIVATE FLOAT SWITCH?

# Know Your Humidifier

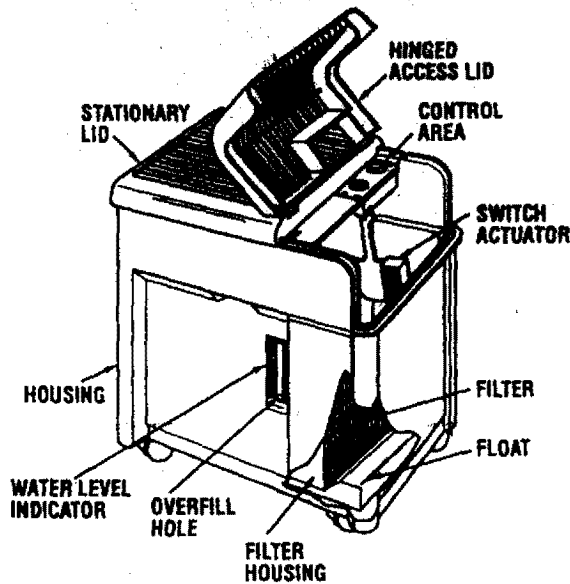


Figure 1

Description	758.148080
Gallon Output	8
Tank Capacity	5 gallons
Sq. Ft. Coverage	2000
Fan Speeds	Variable
Filters	1
Fill Light	Yes
Water Level Indicator	Yes
Auto Humidstat	Yes
Auto Shut Off	Yes
Dry Out	Manual
U.L. Listed	Yes
AHAM Certified	Yes
Volts	120 A.C.
Hertz	60
Amps	2.0
Watts	140

## Humidifier Operations

Your new Sears humidifier is designed to satisfy home humidity requirements through the principle of evaporation of water into the air.

After water is added to the tank, the filters begin to soak up the water and become totally saturated in approximately 30 minutes. Air is drawn in from the top of the humidifier by means of a circulation fan and drawn through the filter. As air passes through the filter, moisture is absorbed by the air and then released through the top of humidifier. (See Figure 2) This moist air is released in the form of vapor. No water droplets will enter the home. All evaporation into the air takes place in the humidifier, which means that the residue left by evaporating water is not passed into the home, but remains in the filter.

### CAUTION

Use only 32-14900 EPA Registered Bacteriostat available from SEARS Retail store. Use of other water treatment products may damage the filter or may pose health hazards.

Under no circumstances should you use water treatment products designed for Roto belt or Ultrasonic humidifiers.

### CAUTION

Keep your humidifier clean. While humidifiers do not cause colds, some studies suggest that dirty humidifiers can cause cold-like symptoms in some people. To avoid this, clean your humidifier weekly with Humidifier Cleaner 32-7283 and use Bacteriostat 32-14900. These are available at your local Sears store.

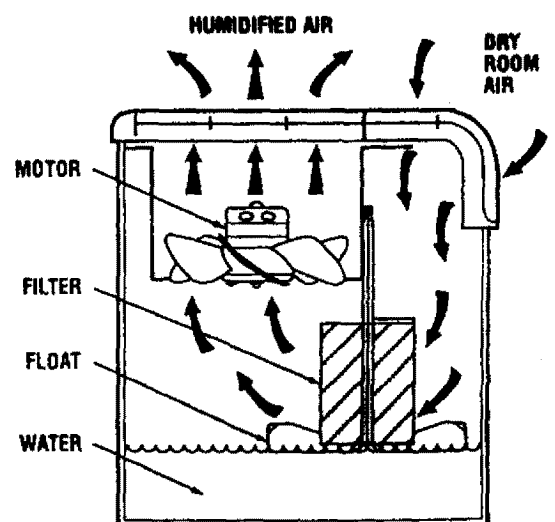


Figure 2

# Caster Installation

## Step 1

Reference the unpacking instructions on the upper carton flaps of the shipping carton your Kenmore humidifier was received in. The casters and hardware are inside the humidifier cabinet.

## Step 2

Carefully place your humidifier upside down on a soft surface such as a rug or carpet. Locate the screw holes on the bottom corners of the cabinet.

**NOTE:** Only two of the four holes in the caster plate will align for proper caster installation.

## Step 3

Each caster should be attached with two (2) screws placed diagonally from each other. Turn the unit upright and you will be ready to position your humidifier in the location of your choice.

# Location Instructions

## WARNING

**For your own safety, do not use humidifier if any parts are damaged or missing.**

## Step 1

Place humidifier in area of house where most humidity is needed, or one which would likely result in moist air being circulated throughout the house such as near a cold air return. Moist air (humidity) produced will disperse into the whole house, but area closest to unit will have the highest humidity.

## Step 2

The humidifier may be positioned with the back (cord exit side), or left side (side opposite hinged lid) flush to the wall, or away from the wall. Air needs to enter through louvers in the hinged access lid in order for humidifier to operate at peak efficiency.

**NOTE:** Due to release of cool, moist air from humidifier, it is best to direct air away from home thermostat. It is best to position humidifier next to an inside wall. Hot air registers and cold air from outside walls can affect the efficiencies of the controls. Unit should not be placed where warm air from a hot air register blows directly on unit.

# Electrical Hook-Up

## Step 1

Locate nearest 120V A.C. wall socket in the location desired, preferably on inside wall. Plug in the electrical cord.

## WARNING

**To avoid fire or shock hazard, humidifier, should be plugged into a 120V A.C. outlet. Do not use extension cords.**

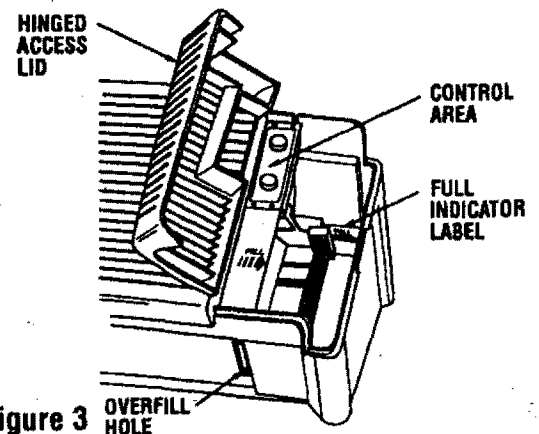
# Water Fill

## WARNING

**To avoid shock, always unplug humidifier before filling, cleaning, or servicing.**

## Step 1

Raise the hinged access lid and note the location of the controls towards the rear of the humidifier (Figure 3).



4 Figure 3

### WARNING

To avoid fire or shock hazard, do not pour or spill water into control or motor area. If controls get wet, let them dry completely and have unit checked by authorized service personnel before plugging it in.

### IMPORTANT

Be sure water does not go above FULL mark or water will overflow from the hole located in the water level indicator label.

### Step 2

Carefully pour water into humidifier. (Pour water at left of the controls as shown in Figure 4.)

### Step 3

Fill tank with clean water up to FULL indicator label, located inside the housing on the rear panel (Figure 4).

**NOTE:** Do not overfill humidifier. Water will overflow from the overfill hole if capacity is exceeded.

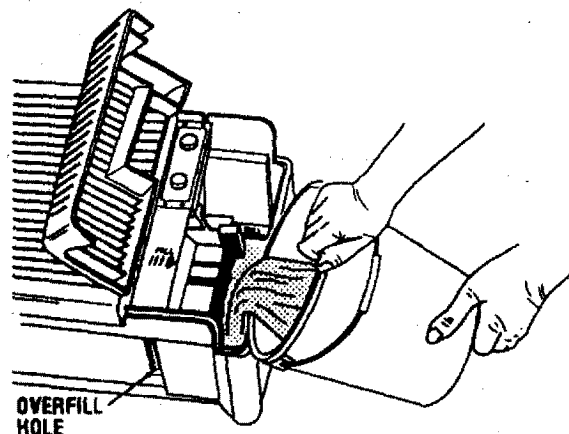


Figure 4

## Operating Humidifier Controls

### Humidity Control:

Adjust the amount of humidity depending on user's needs. The humidifier will turn on and off as required to maintain level of humidity you select. (See Figure 5.) MEDIUM setting is recommended but there are times when low or high amount of humidity may be preferred. For constant operation of humidifier, CONSTANT ON allows for the maximum amount of humidity to be evaporated into the air continuously.

### IMPORTANT

Water damage may result if condensation starts to form on windows or walls. Humidity Control setting should be lowered until condensation no longer forms.

### Air Flow Control:

The higher the air flow speed, the more water is evaporated and released into the air. LOW speed is the quietest and is provided for conditions that may not require as high an evaporation rate. (See Figure 5.)

### Fill Light:

When unit has a small amount of water left in it, a orange fill light will come on and unit will shut off. (See Figure 5.)

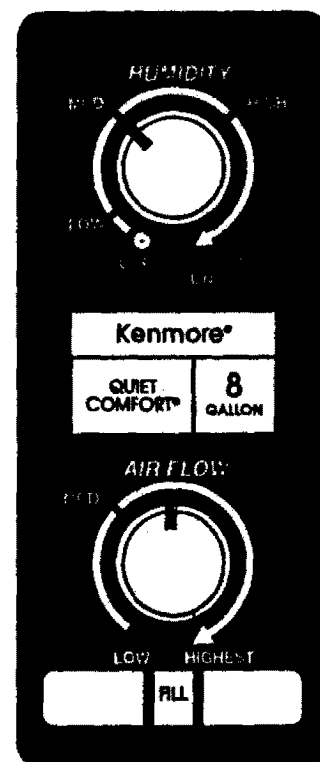


Figure 5

# Using Your Humidifier

## Step 1

Be sure unit is full of water and plugged in.

## Step 2

Set Air Flow Control knob to **LOW** position. (See Figure 5.)

## Step 3

Set Humidity Control to **MEDIUM** position. (See Figure 6.)

**NOTE:** Humidifier should operate with humidity control on the recommended **MEDIUM** setting. If it does not, the humidity is at a relatively high level. To test the unit under this condition, turn Humidity Control all the way to **CONSTANT ON** and unit should begin to operate. After unit has been tested, set Humidity Control to **MEDIUM** or desired level.

Allow 24 hours for humidifier to adjust.

If humidity level in home is sufficient, the humidifier will only operate with Humidity Control set on **CONSTANT ON**.

### IMPORTANT

**Water damage may result if condensation starts to form on windows or walls. Humidity Control setting should be lowered until condensation no longer forms.**

## Step 4

If humidifier stops running, the humidity level is at the normal requirements for that setting or it is adjusting to the home conditions. Figure 6 shows approximate relative humidity percentages which correspond to the various settings of the Humidity Control.

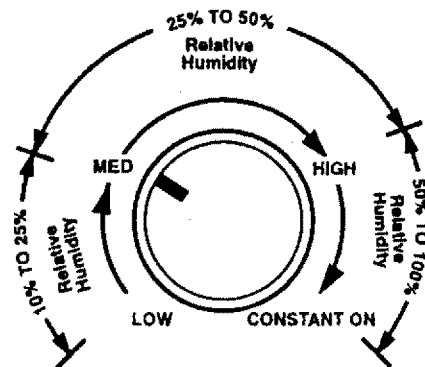


Figure 6

When Outdoor Temperature is:	Recommended Indoor Relative Humidity is:
-10°F	20%
0°F	25%
10°F	30%
20°F & above	35%

# Cleaning of Humidifier

### CAUTION

To avoid toxic injury, fire or damage to humidifier, use only cleaners specifically recommended for humidifiers. Never use flammable, combustible or poisonous materials to clean your humidifier. To avoid scalds and damage to humidifier, never put hot water in humidifier.

### CAUTION

Local water purity may vary from area to area and under certain conditions water impurities and airborne bacteria may promote the growth of microorganisms in the reservoir of a humidifier.

To retard bacteria growth that may cause odors and be harmful to your health, use only Sears replacement filters. We also recommend using a EPA approved bacteriostat, 32-14900 and humidifier cleaner 32-7283, available at your local Sears store.

### Step 1

To make cleaning easier, the tanks should be completely dried out.

### MANUAL DRY OUT

- (a) Loop switch actuator ring around plastic hook located directly above the switch actuator. (See Figure 7.)
- (b) Set Humidity Control to **CONSTANT ON**, and Air Flow Control to **HIGH**. Run until tank is dry.

**NOTE:** With the switch actuator ring in place unit will continue to run until the ring is released. Depending upon humidity levels, once the tank is empty the average dry out time is approximately 2 hours.

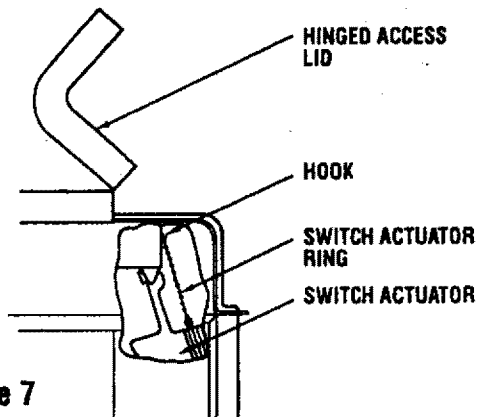


Figure 7

### Step 2

When unit is dry, rotate Humidity Control to OFF and release switch actuator ring. (See Figure 7.)

### Step 3

Unplug humidifier, and proceed to clean.

### WARNING

If humidifier is not unplugged, fan could start after motor support is removed.

### Step 4

#### TO REMOVE PARTS

Raise the hinged access lid. Insert a thin bladed tool (flat bladed screwdriver, butter knife, etc.) through the slot in the housing and push up on the detent (Figure 8) and slide the stationary lid to the side until it stops (approximately 1"); lift the lid off the housing.

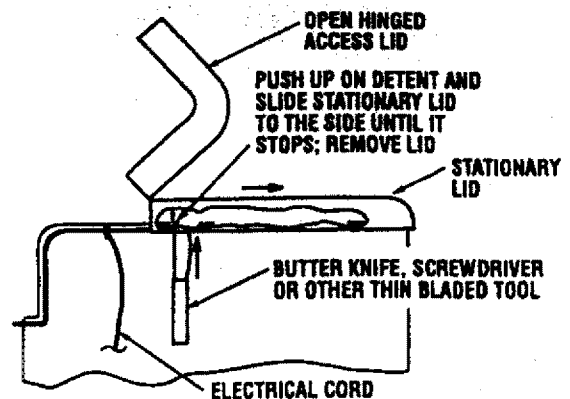


Figure 8

### Step 5

Disengage the electrical cord from the slot in the housing and carefully lift out the motor support section (Figure 9). Wipe off any mineral deposits with a clean damp cloth.

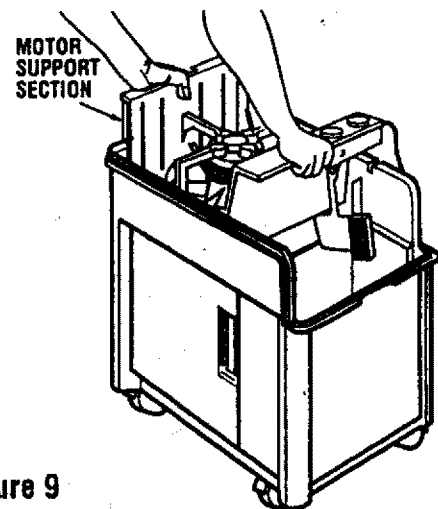
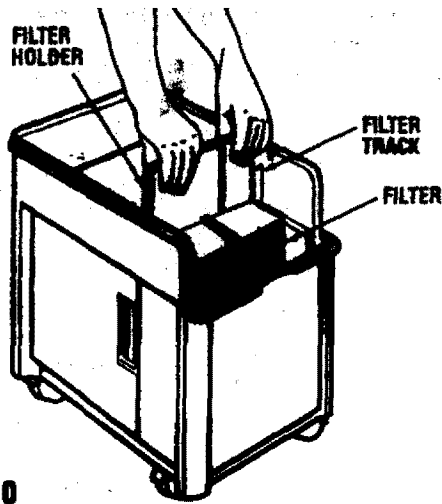


Figure 9

### Step 6

Before removing filter we recommend moving humidifier to an area where floor coverings are not susceptible to water damage, i.e. kitchen or bath area.

Slide out the filter holder and float. Remove the filter from inside of the holder by gently pushing out from either side. (See Figure 10.)



**Figure 10**

Remove mineral deposits from float filter holder and inside of housing by wiping with clean damp cloth. Humidifier Cleaner (32-7283) is available in most Sears stores for easiest cleaning of deposits. Do not use any type of cleaner on the filter.

### Step 7

#### TO REPLACE PARTS

Install float on filter tracks. Insert new filter in filter holder and replace filter holder on filter track.

Replace holder in humidifier tank by lining up rear slot on filter holder frame with track on tank. Tilt holder toward rear and lower until front tab lines up with front slot on filter holder.

### Step 8

Pick up motor support section and while standing over the tank, locate the tabs that the support section sits on. Gently slide motor support section down into tank (Figure 9). Engage the electrical cord in the slot in the housing.

### Step 9

Position the stationary lid on the housing, a little to the left of its normal position. Slide the lid to the right until the tab on the lid engages with the detent on the housing. Close the hinged access lid.

## Care of Filter

### CAUTION

To help retard bacteria growth and keep maximum efficiency, the filter should be replaced with a SEARS replacement filter at least once a season, or more often under hard water conditions.

Filter may be rinsed in clear water only. Leave filter in filter housing. Take care not to damage paper.



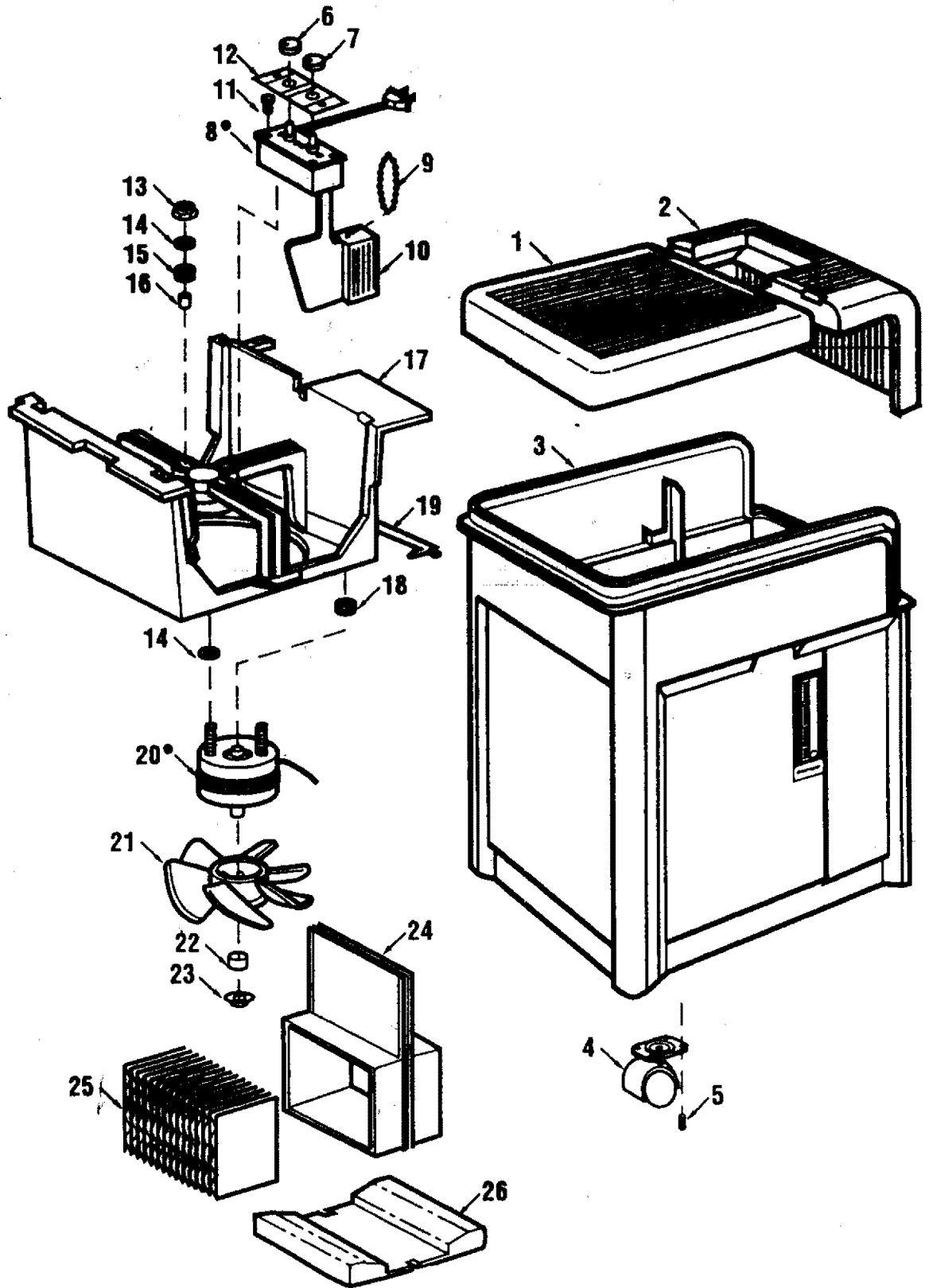
# Troubleshooting

TROUBLE	PROBABLE CAUSE	REMEDY
1. Unit will not run, or will not shut off.	<ul style="list-style-type: none"><li>• Switch Actuator (Float) not free to work properly.</li></ul>	<ul style="list-style-type: none"><li>• Remove shipping rubber band or unhook switch actuator ring. (Figure 7).</li></ul>
2. Water runs out of hole in the water level label on the front of the unit.	<ul style="list-style-type: none"><li>• Too much water.</li></ul>	<ul style="list-style-type: none"><li>• Check <b>FULL</b> label in tank. Do not overfill.</li></ul>
3. Unit will not dry out completely.	<ul style="list-style-type: none"><li>• Switch actuator ring is not in place.</li><li>• High humidity or low temperature resulting in slow evaporation.</li></ul>	<ul style="list-style-type: none"><li>• Connect switch actuator ring. See instructions (page 7, Figure 7).</li><li>• Allow unit to continue running until reservoir becomes dry.</li></ul>
4. Unit will not cycle (Turn off) when out of water.	<ul style="list-style-type: none"><li>• Float is hung up, or holder is not on the filter tracks.</li></ul>	<ul style="list-style-type: none"><li>• Check float (page 7, Figure 9).</li><li>• Remove filter holder, install on filter tracks (page 8, Figure 10).</li></ul>
5. Filter does not float.	<ul style="list-style-type: none"><li>• Float may have leak.</li><li>• Cardboard packing piece between motor support and filter holder.</li></ul>	<ul style="list-style-type: none"><li>• Check float for leak, replace if necessary.</li><li>• Remove cardboard.</li></ul>

## CAUTION

Use only 32-14900 EPA Registered Bacteriostat available from SEARS Retail store. Use of other water treatment products may damage the filter elements. Under no circumstances should you use water treatment products designed for Roto belt or Ultrasonic humidifiers.

**PARTS LIST FOR SEARS HUMIDIFIER  
MODEL NO. 758.148080**



## PARTS LIST FOR SEARS HUMIDIFIER MODEL NO. 758.148080

Key No.	Part No.	Description
1	821848	Stationary Lid
2	821846	Hinged Access Lid
3	821847	Housing
4	822120	Caster
5	STD601005	* Screw, Pan Hd. Type "T" 10-32 x 1/2
6	817235-4	Knob, Humidity
7	817235-3	Knob, Control
8	821908-1	• Control (Includes Key No. 6 and 7)
9	817878	Tie Ring
10	817380	Switch Actuator
11	29433	Screw, Pan Hd. Type "AB" 8 x 5/8
12	821851	Label, Control
13	STD541408	* Lock Nut, 8-32
14	STD551010	* Washer, 13/64 x 3/4 x 1/16
15	V27217	Grommet
16	817964	Spacer
17	817197-1	Motor Housing
18	817966	Grommet
19	817237	Airseal Gasket
20	818087-1	• Motor
21	V30187	Fan Blade
22	816133	Clamp
23	803144-2	Push Nut, 5/16
24	817196	Filter Housing
25	32-14910	† Evaporation Filter
26	817195	Filter Float
—	SP5660	• Owners Manual (Not Illustrated)

• Any attempt to repair this control assembly or motor may create a HAZARD unless repair is done by a qualified service technician. This assembly is factory aligned. Repair service is available at your nearest Sears store.

† Stock Item - May be secured through the Plumbing and Heating Department of most Sears Retail Stores.

\* Standard Hardware Item - May be purchased locally.

**SEARS**

**owner's  
manual**

**SERVICE**

**MODEL NO.  
758.148080**

**HOW TO ORDER  
REPAIR PARTS**

**Kenmore™  
QUIET COMFORT™  
CONSOLE HUMIDIFIER**

Service for your humidifier is available by returning it to the nearest Sears Service Center/Department throughout the United States.

The model number will be found on the Humidifier Identification label. Always mention the Model Number when requesting service or repair parts.

WHEN ORDERING REPAIR PARTS, ALWAYS GIVE THE FOLLOWING INFORMATION:

1. PART NUMBER: (See Repair Parts)
2. PART DESCRIPTION: (See Repair Parts)
3. MODEL NUMBER: 758.148080
4. NAME OF ITEM: HUMIDIFIER

All parts listed may be ordered from any Sears Service Center. If the parts you need are not stocked locally, your order will be electronically transmitted to a Sears Repair Parts Distribution Center for handling.

**Sold by SEARS, ROEBUCK AND CO., Chicago IL 60684 U.S.A.**

## Free Manuals Download Website

<http://myh66.com>

<http://usermanuals.us>

<http://www.somanuals.com>

<http://www.4manuals.cc>

<http://www.manual-lib.com>

<http://www.404manual.com>

<http://www.luxmanual.com>

<http://aubethermostatmanual.com>

Golf course search by state

<http://golfingnear.com>

Email search by domain

<http://emailbydomain.com>

Auto manuals search

<http://auto.somanuals.com>

TV manuals search

<http://tv.somanuals.com>