

Operator's Manual

CRAFTSMAN®

1500 lb. Steel Motorcycle/ATV Jack

Model No.
875.50190

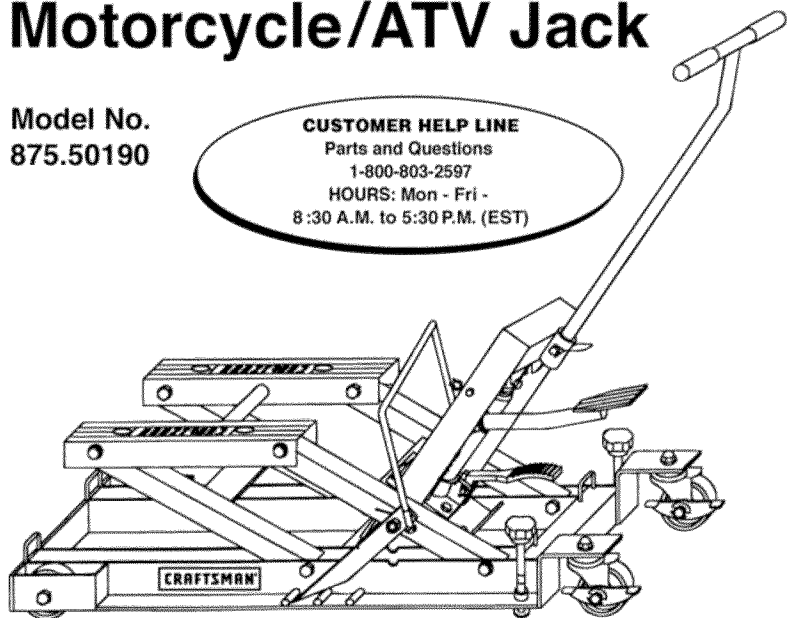
CUSTOMER HELP LINE

Parts and Questions

1-800-803-2597

HOURS: Mon - Fri -

8:30 A.M. to 5:30 P.M. (EST)



CAUTION: Read, understand and follow all Safety Rules and Operating Instructions in this manual before using this product.

- Safety
- Warranty
- Features & Operation
- Maintenance
- Español pg. 13

Sears, Roebuck and Co., Hoffman Estates, IL 60179 U.S.A.

Visit our Craftsman website: www.craftsman.com

Download from www.Somanuals.com. All Manuals Search And Download.

WARRANTY

ONE-YEAR FULL WARRANTY ON CRAFTSMAN PRODUCT

If this Craftsman product fails due to a defect in material or workmanship within one year from the date of purchase, **RETURN IT TO ANY SEARS STORE OR OTHER CRAFTSMAN OUTLET IN THE UNITED STATES FOR FREE REPLACEMENT.**

If this Craftsman product is used for commercial or rental purposes, this warranty applies for only 90 days from the date of purchase.

This warranty gives you specific legal rights, and you may also have other rights which vary from state to state.

Sears, Roebuck and CO., Dept.817 WA, Hoffman Estates, IL 60179

SAVE THESE INSTRUCTIONS! READ ALL INSTRUCTIONS!

SAFETY INSTRUCTIONS

WARNING:

- Failure to comply with information in this manual or to heed product warning labels may result in personal injury or property damage.
- Study, understand and follow all the instructions before operating this device.
- This jack is rated for a maximum of 1500 pounds. **DO NOT** exceed the rated capacity. Overloading may cause damage to the jack and cause it to fail.
- **ONLY** use jack on a hard level surface that is capable of supporting the vehicle.
- Lift only on areas of vehicle as specified by the vehicle manufacturer.
- **ALWAYS** use tie-down straps to secure the vehicle to the jack.
NEVER move vehicle with jack if straps are not in place or secure.
- **ALWAYS** use the height lock bar when the vehicle is raised to prevent the vehicle from dropping accidentally.
- **ALWAYS** lower the vehicle to the lowest possible jack position **BEFORE** attempting to dolly or move it.
- **DO NOT** make any alterations to this product.
- **ALWAYS** inspect the jack before each use.
- **DO NOT** use if leaking fluid and/or broken, bent, cracked or otherwise damaged parts are noted.
- **Immediately after raising vehicle, ensure that Height Lock Bar is engaged.**
- **ALWAYS** wear safety glasses when operating this product.

NEVER place yourself under or in a position around a raised vehicle where if it came loose from the jack and fell off of the jack, it could cause serious bodily injury!



PURGING AIR FROM HYDRAULIC SYSTEM

During shipment and handling, air may get trapped in the hydraulic system which can interfere with the jack's lifting performance.

Follow these steps to release the air:

- Open the release valve by pressing down on the release pedal (K) (see Fig. 1 and 2).
- Remove the oil fill plug (see Fig. 1).
- Pump the foot pedal (J) (see Fig. 1 and 2) 6 to 8 times to release any pressurized air that may be trapped in the oil reservoir (hydraulic system).
- Be sure oil level is just below the threads in the oil fill plug hole. If oil needs to be added follow the instructions on page 9.
- Replace and tighten oil fill plug.

PRODUCT DESCRIPTION AND FEATURES

This jack (see Figs. 1, 1A, 1B, and 2) has special built-in features that make it ideal for performing minor repairs, oil changes, cleanups and more.

These features include:

- 1500-pound load capacity to lift most motorcycles and ATV's.
- A fast-action hydraulic pump with foot pedal (J) (see Fig.2) for easy lifting from 5 1/8 to 17 inches above front of jack base. Two adapter plates, sold separately (see Fig. 1A) are available to allow lifting to 19 inches above front of jack base.
- 3-position Height Lock Bar provides positive locking at three lift heights: 11 3/4 in., 14 1/4 in. and 16 1/2 in (see Fig.1).

IMPORTANT: Upon raising vehicle, the jack must **IMMEDIATELY** be locked into one of the three lift heights.

- Precision controlled foot release (K) (Fig.2) for lowering the vehicle.
- Can be used as a dolly to move your vehicle to a convenient location for working or storage.
- T-Handle (Fig. 1) for added control when dollying vehicle into working or storage location.
- The jack also includes two 1-inch wide x 15 foot long ratcheting tie-down straps (see Fig. 1B) to help secure the vehicle.
- The jack has adjustable locking screws and locking casters to increase stability (see Fig.1).

PRODUCT DESCRIPTION AND FEATURES (cont.)

- Purchase two 2-inch height adjustment adapter plates (see Fig. 1A), sold separately, to add 2 inches to the maximum lift height of 16 $\frac{1}{2}$ inches to accommodate high-chassis dirt bikes that require an 18 $\frac{1}{2}$ -inch height.
- Includes two 1-inch wide x 15-ft. long ratcheting tie-down straps (see Fig. 1B and Fig. 4A).

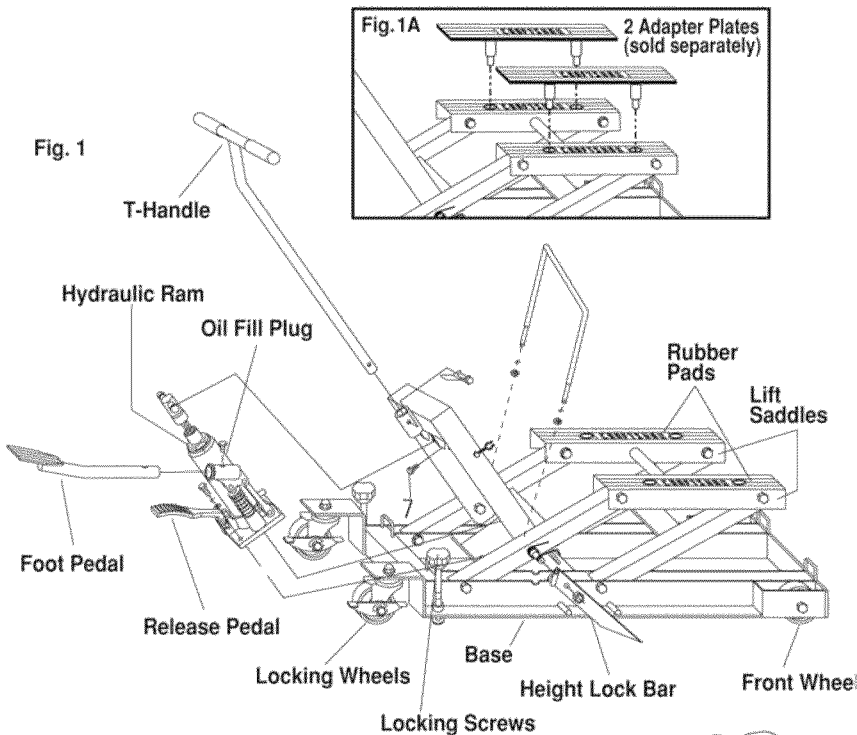
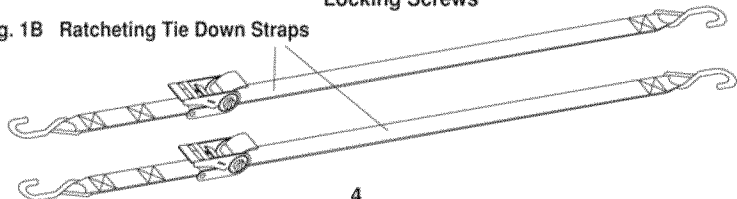
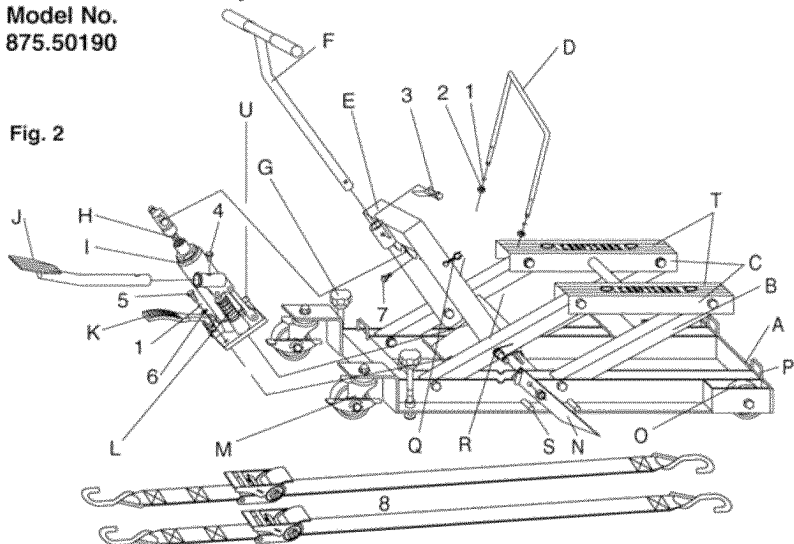


Fig. 1B Ratcheting Tie Down Straps



1500 lb. Steel Motorcycle/ATV Jack
Model No.
875.50190

Fig. 2



PARTS LIST

PART No.	DESCRIPTION	QTY
A	Base	1
B	Link	1
C	Lift Saddle	1
D	Height Lock Release	1
E	Connecting Rod	1
F	T-Handle	1
G	Locking Screw	2
H	Return Spring	1
I	Hydraulic Ram	1
J	Foot Pedal	1
K	Release Pedal	1
L	Pump Spring	1
M	Locking Rear Caster Assy	2
N	Height Lock Bar	2
O	Front Wheel Assy	2

PARTS LIST (cont.)

PART No.	DESCRIPTION	QTY
P	Loops	4
Q	Clip	1
R	Height Lock Springs	1
S	Lock Position Ridge	3
T	Rubber Pads	2
U	Oil Fill Plug	1

HARDWARE BOX

PART No.	DESCRIPTION	QTY
1	Spring Washer Ø8	4
2	Nut M8	2
3	Cotter Pin	1
4	Bolt M8 x 12	1
5	Bolt M8 x 25	2
6	Washer Ø8	2
7	Bolt, M6x 15	1
8	Tie Down Straps 1-in. x 15ft.	2

ASSEMBLY INSTRUCTIONS (see Fig.2)

1. Attach Hydraulic Ram (I) to Connecting rod (E) using M6 x 15 Bolt (7); proceed to attach Ram onto Base (A) using 2 M8 x 25 Hex Bolts (5), 2 Spring Washers (1) and 2 Washers (6). Tighten all fasteners thoroughly.

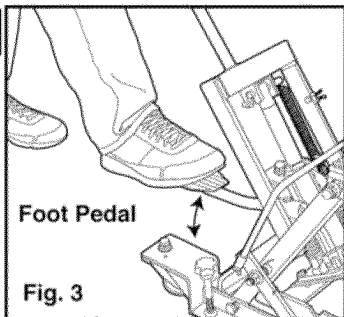
ASSEMBLY INSTRUCTIONS (CONT.)

2. Insert Foot Pedal Arm (J) into the sleeve of Hydraulic Ram (I) and secure with M8 x 12 Hex Bolt (4).
3. Attach Height Lock Release (D) to Height Lock Bar using 2 Spring Washers Ø8 (1) AND 2 Nuts M8 (2).
4. Attach T-Handle (F) to Connecting Rod (E) with Cotter Pin (3).
5. Make sure that all connections are tightened thoroughly.

OPERATING INSTRUCTIONS

TO RAISE THE VEHICLE (see Figs. 2, 3)

1. Place jack on a hard level surface.
2. To avoid item from slipping during the raising operation, **ONLY** lift on points of vehicle specified by vehicle manufacturer in the vehicle's operator's manual.
3. Place the jack under the vehicle so that the Lift Saddle (C) (see Fig. 2) is positioned under the vehicle's lift point.
4. Pump the foot pedal (J) (see Fig. 3) until the lift saddle (C) comes in contact with the vehicle to be lifted; proceed to lock wheel casters by pushing down with foot on tab marked **LOCK**, **ALWAYS** check to be sure that the saddle and the vehicle are positioned correctly **BEFORE** raising the jack.
5. Use Foot Pedal to raise vehicle. Pump Foot Pedal until tip of Height Lock Bar moves past desired lock position ridge. The tip of the Height Lock Bar will sink into position just behind the ridge. Depress release pedal slightly so that the tip moves snugly against ridge.
6. Apply tie-down straps (see page 7, Securing the Vehicle) once vehicle has been raised to the desired working height. Thoroughly tighten the two tie-down straps.
7. Stabilize loaded jack on a hard surface for maximum balance by adjusting locking screws (G) (see Fig. 2).



TO LOWER THE VEHICLE, (see Fig. 2)

1. Raise the jack slightly and pull back on the Height Lock Release to release Height Lock Bar.
2. Fasten the Height Lock Release (D) to the Clip (Q).
3. Press the Release Pedal (K) very gently to lower the Saddle (C) and vehicle.

OPERATING INSTRUCTIONS (cont.)

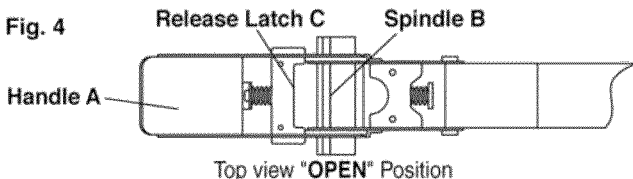


CAUTION:

Tie-down straps will become loose and vehicle will be released upon lowering the vehicle.

SECURING THE VEHICLE with the two 1-in. x 15-ft. Ratcheting Tie-Down Straps (see Fig. 4, 4A)

Fig. 4



1. Secure one strap hook end to the Handle (A). Arrange strap over vehicle (see Fig. 4A). Secure other strap hook end to Front Wheel Axle of jack.
2. With the Handle (A) in the closed position, take long strap end and slip it through the insertion slot in spindle. Pull back over spindle.
3. Tighten the strap by ratcheting the handle back and forth until the vehicle is secure. In order to keep the strap in position while tightening, it may be necessary to take up the excess slack by hand until the strap is tight.
4. To lock ratchet, place Handle (A) in the closed position.



CAUTION:

To avoid damage to the vehicle, **DO NOT** over-tighten strap.

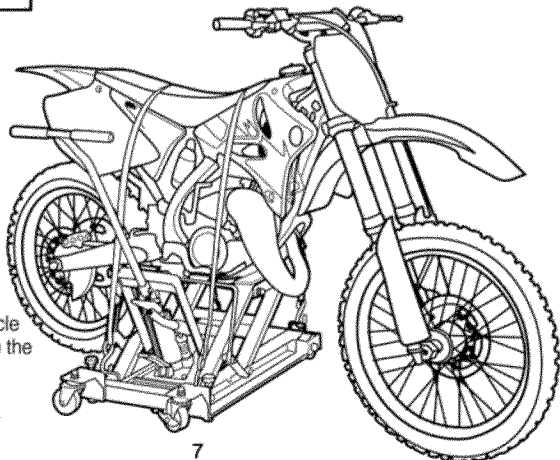


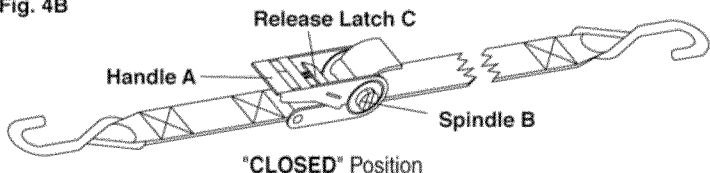
Fig. 4A

High-chassis motorcycle secured onto jack with the 2-inch adapter plates, sold separately and the two ratcheting tie-down straps.

OPERATING INSTRUCTIONS (cont.)

RELEASING THE VEHICLE FROM THE TWO RATCHETING TIE-DOWN STRAPS (see Fig. 4B)

Fig. 4B



1. Hold the ratchet in one hand and with the other hand pull back on Release Latch (C).
2. While holding Release Latch (C) back, open Handle (A) fully past the locking gears until Latch (C) locks in a completely open position or until the load releases.

CAUTION: The **VEHICLE** will release at this point.

3. To remove strap, pull up on ratchet and slide strap out of Spindle (B).

WARNING: FOR THE TWO RATCHETING TIE-DOWN STRAPS

1. **DO NOT** use the two tie down straps for towing vehicles or to hold or suspend human weight.
2. **DO NOT** use pliers or any other tools to operate the ratcheting handle (A), (see Fig. 4B). Use hand power only.
3. Protect strap webbing from sharp edges, heat and acid. Replace strap webbing if it is cut, worn or damaged. Inspect strap webbing, hooks and hardware before each use.

MAINTENANCE (see Fig. 1, 2)

TO ADD HYDRAULIC JACK OIL

With lift saddles fully lowered and the jack on level ground, unscrew and remove oil fill plug. Using a good grade of SAE 5 W hydraulic jack oil, fill the oil reservoir to the bottom of the threads in the oil filler hole. Replace and tighten the oil fill plug. **DO NOT ALLOW** dirt or debris to enter the system.

TO REPLACE HYDRAULIC JACK OIL

- Open the release valve by pressing down on the release pedal (K).
Unscrew and remove oil fill plug.
- Turn entire jack over so that all of the old oil will drain out of the oil fill hole.

NOTE: When draining oil, use a proper container and **ALWAYS** follow **ALL** local and state waste disposal guidelines.

- After all of the old oil has drained out of the jack, turn the jack back over to a level position to fill with new oil.
- Rapidly pump foot pedal (J), 6 to 8 full strokes to release any pressurized air.
- Using a good grade of SAE 5W hydraulic jack oil, fill the reservoir to the bottom of the threads in the oil fill hole.

DO NOT ALLOW dirt and debris to enter the system

- Replace and tighten oil fill plug.

IMPORTANT: When adding or replacing oil, **ALWAYS** use a good grade of (SAE 5 W) hydraulic jack oil. **NEVER** use brake fluid, alcohol, glycerin, detergent motor oil or dirty oil of any kind. Improper oil usage will cause serious internal damage to jack.

LUBRICATION

- Use a good grade of lubricating oil on all moving parts when needed.

STORING

- When jack is not in use, or when storing the jack, **ALWAYS** have the lift saddles in the lowest (down) position.

RUST PREVENTION

Check power unit (hydraulic ram) see parts list Fig. 2 letter (I) page 5, every two months or sooner based on use for any rust or corrosion. Clean and wipe down with oil cloth.

SPECIFICATIONS

Maximum load capacity:.....1500 lbs. (681kg.)
Locking Positions:11 3/4 in., 14 1/4 in. and
16 1/2 in.
Size:35 1/2 x17 x 14 inches
Weight without the two tie-down straps
and the two adapter plates (sold separately):....77 lbs.

TROUBLESHOOTING

PROBLEM	CAUSE	SOLUTION
Jack will not lower completely	1. Air in hydraulic system 2. Release valve is stuck	1. Purge air from hydraulic system.* 2. Transfer weight load and clean valve.
Jack will not lift to full height	1. Oil level is low. 2. Air in hydraulic system	1. Fill to recommended level. 2. Purge air from hydraulic system.*
Weak Lifting	1. Air in hydraulic system 2. Dirty oil	1. Purge air from hydraulic system.* 2. Change oil. Use SAE 5W
Jack will not lift load	1. Excessive weight 2. Oil level is low	1. Decrease weight or change to a higher capacity jack. 2. Fill to recommended level.

* For purging air, see Purging Air Instructions on page 3.

Manual del usuario

CRAFTSMAN®

Gato de acero para motocicletas/ VTT de 1.500 lbs.

Modelo No.
875.50190

LÍNEA DE ASISTENCIA AL CLIENTE

Piezas y preguntas

1-800-803-2597

HORARIO: Lunes a viernes de

8:30 A.M. a 5:30 P.M. (hora estándar del este)



PRECAUCIÓN: Lea, comprenda y siga todas las normas de seguridad y las instrucciones de funcionamiento de este manual antes de utilizar este producto.

- Seguridad
- Garantía
- Características y funcionamiento
- Mantenimiento

Sears, Roebuck and Co., Hoffman Estates, IL 60179 U.S.A.

Visite nuestro sitio web Craftsman: www.sears.com/craftsman

Download from Www.Somanuals.com. All Manuals Search And Download.

GARANTÍA

GARANTÍA COMPLETA DE UN AÑO DEL PRODUCTO CRAFTSMAN

Si este producto Craftsman falla debido a un defecto de material o de fabricación durante el primer año a partir de la fecha de compra, **DEVUÉLVALO A CUALQUIER TIENDA SEARS O DISTRIBUIDOR DE CRAFTSMAN MÁS CERCANO EN LOS ESTADOS UNIDOS PARA OBTENER UN REEMPLAZO GRATUITO.**

Esta garantía le otorga derechos legales específicos. Usted puede tener otros derechos que varían de un estado a otro.

Sears, Roebuck and Co., Dept. 817 WA, Hoffman Estates, IL 60179

¡GUARDE ESTAS INSTRUCCIONES!
LEA TODAS LAS INSTRUCCIONES

INSTRUCCIONES DE SEGURIDAD

ADVERTENCIA:

- El incumplimiento de las etiquetas de advertencia del producto puede resultar en lesiones personales o daños a la propiedad.
- Estudie, comprenda y siga todas las instrucciones antes de usar este dispositivo.
- Este gato tiene una capacidad máxima de 1.500 libras. **NO** exceda la capacidad nominal del producto.
- **SÓLO** use el gato sobre una superficie dura y nivelada que pueda soportar el vehículo.
- Levante sólo en las áreas del vehículo especificadas por el fabricante del vehículo.
- **SIEMPRE** use amarres para asegurar el vehículo al gato.
NUNCA mueva el vehículo con el gato si las cintas no están aseguradas o en su lugar.
- **SIEMPRE** use la barra de bloqueo de altura cuando el vehículo esté elevado para evitar que se baje accidentalmente.
- **SIEMPRE** baje el vehículo a la posición más baja posible **ANTES** de intentar transportarlo o moverlo.
- **NO** altere de ninguna manera este producto.
- **SIEMPRE** inspeccione el gato antes de cada uso.
- **NO** use el producto si observa escapes de fluido y/o piezas rotas, dobladas, agrietadas o dañadas.
- Inmediatamente después de levantar el vehículo, asegúrese de que la barra de bloqueo de altura esté enganchada.
- **SIEMPRE** use lentes de seguridad cuando use este producto.
NUNCA se coloque debajo o alrededor de un vehículo elevado en una posición en la que, de soltarse el vehículo del gato, pueda caerle encima, ya que podría causar lesiones personales graves.



PURGA DEL AIRE DEL SISTEMA HIDRÁULICO

Durante el envío y entrega, el aire puede quedar atrapado en el sistema hidráulico, lo que interfiere con el rendimiento de levantamiento del gato. Siga estos pasos para liberar el aire:

- Abra la válvula de liberación presionando el pedal de liberación (K) (vea las Figs. 1 y 2).
- Retire el tapón de llenado de aceite (vea la Fig. 1).
- Bombée el pedal (J) (vea las Figs. 1 y 2) 6 a 8 veces para liberar cualquier cantidad de aire presurizado que pueda haber quedado atrapado en el tanque de aceite (sistema hidráulico).
- Asegúrese de que el nivel de aceite esté justo por debajo del agujero de la rosca del agujero para el tapón de llenado de aceite. Si es necesario agregar aceite, siga las instrucciones de la página 21.
- Vuelva a colocar el tapón de llenado de aceite y apriételo.

DESCRIPCIÓN Y CARACTERÍSTICAS DEL PRODUCTO

Este gato (vea las Figs. 1, 1A, 1B y 2) tiene características especiales incorporadas que lo hacen ideal para realizar reparaciones menores, cambios de aceite, limpiezas y más. Entre estas se encuentran:

- Capacidad de carga de 1.500 lbs para levantar la mayoría de las motocicletas y VTT.
- Una bomba hidráulica de acción rápida con pedal (J) (vea la Fig. 2) para facilitar el levantamiento de 5-1/8" a 17" sobre la parte delantera de la base del gato. Puede adquirir dos placas adaptadoras, vendidas por separado (vea la Fig. 1A), para permitir el levantamiento del vehículos hasta 19" sobre la parte delantera de la base del gato.
- Barra de bloqueo de altura de 3 posiciones que proporciona bloqueo de liberación rápida a tres niveles: 11 3/4", 14 1/4" y 16 1/2" (vea la Fig. 1).

IMPORTANTE: Al levantar el vehículo, el gato debe ser bloqueado **INMEDIATAMENTE** en una de las tres alturas de levantamiento.

- Liberación controlada por pedal de control a precisión para bajar el vehículo.
- Puede ser usado como carretilla para mover el vehículo a una ubicación conveniente para repararlo o almacenarlo.
- Manija en T (Fig. 1) para mayor control cuando use el gato como carretilla para mover el vehículo al lugar de trabajo o almacenamiento.
- El gato también incluye dos amarres de trinquete de 1" de ancho x 15 pies de largo (vea la Fig. 1B) para ayudar a asegurar el vehículo.
- El gato cuenta con tornillos de bloqueo ajustables y ruedas con bloqueo para aumentar la estabilidad (vea la Fig. 1).

DESCRIPCIÓN Y CARACTERÍSTICAS DEL PRODUCTO (cont.)

- Puede adquirir dos placas adaptadoras de 2" (vea la Fig. 1A) para añadir 2" a la altura máxima de levantamiento de 16 1/2" del gato para adaptarse a las motos de motocross de chasis alto que requieran 18 1/2" de altura.
- Incluye dos amarres de trinquete de 1" de ancho x 15 pies de largo (vea la Fig. 1B).

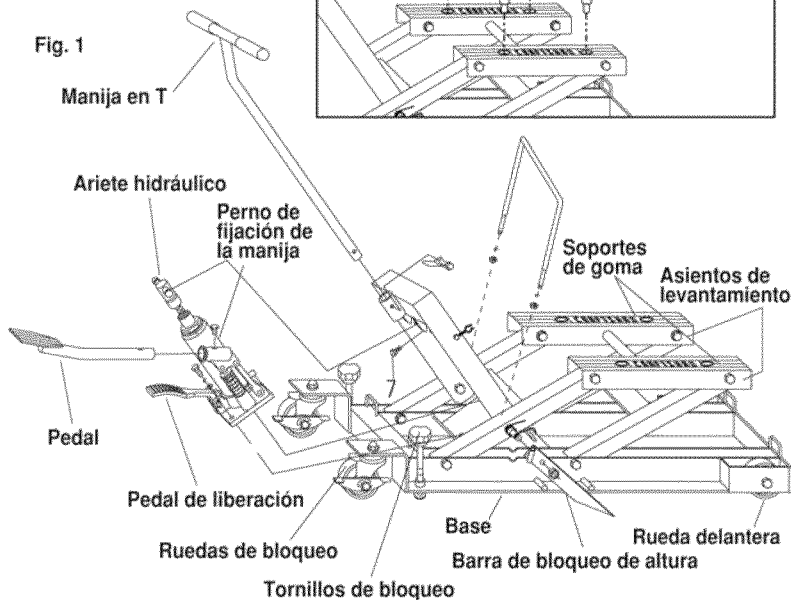
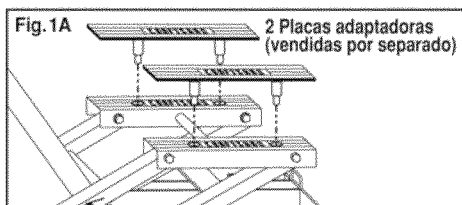
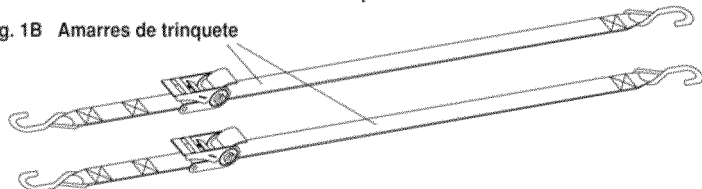
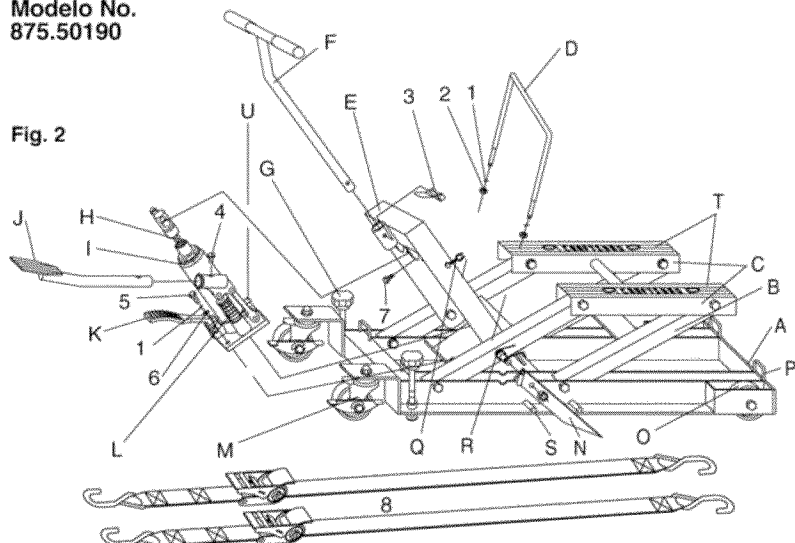


Fig. 1B Amarres de trinquete



**Gato de acero para motocicletas/VTT de 1.500 lbs.
Modelo No.
875.50190**

Fig. 2



LISTA DE PIEZAS

PART No.	DESCRIPCIÓN	CANT.
A	Base	1
B	Enlace	1
C	Asientos de levantamiento	1
D	Liberación de bloqueo de altura	1
E	Vara de conexión	1
F	Manija en T	1
G	Tornillo de bloqueo	2
H	Resorte de retorno	1
I	Ariete hidráulico	1
J	Pedal	1
K	Pedal de liberación	1
L	Resorte de bombeo	1
M	Conjunto de ruedas bloqueantes traseras	2
N	Barra de bloqueo de altura	2
O	Conjunto de ruedas delanteras	2

LISTA DE PIEZAS (cont.)

PART No.	DESCRIPCIÓN	CANT.
P	Bucles	4
Q	Sujetador	1
R	Resortes de bloqueo de altura	1
S	Diente de bloqueo de posición	3
T	Soportes de goma	2
U	Perno de fijación de la manija	1

CAJA DE HERRAMIENTAS

PART No.	DESCRIPCIÓN	CANT.
1	Arandela de resorte Ø8	4
2	Tuerca M8	2
3	Pasador	1
4	Perno M6 x 12	1
5	Perno M8 x 25	2
6	Arandela Ø8	2
7	Perno M6 x 15	1
8	Amarres 1" x 15 pies	2

INSTRUCCIONES DE ENSAMBLAJE (vea la Fig. 2)

1. Instale el ariete hidráulico (I) en la vara de conexión (E) usando el perno M6 x 15 (7); proceda a fijar el ariete a la base (A) usando los 2 pernos hexagonales M8 x 25 (5), 2 arandelas de resorte (1) y 2 arandelas (6). Apriete bien todos los fijadores.
2. Inserte el brazo del pedal (J) en el cilindro del ariete hidráulico (I) y asegúrelo con el perno hexagonal M8 x 12 (4).

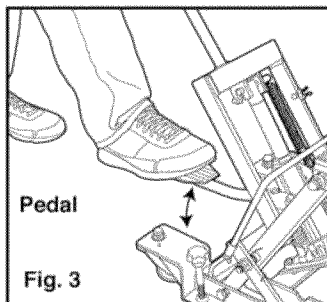
INSTRUCCIONES DE ENSAMBLAJE (cont.)

3. Instale el dispositivo de liberación de bloqueo de altura (D) en la barra de bloqueo de altura usando 2 arandelas de resorte Ø8 (1) Y 2 tuercas M8 (2).
4. Instale la manija en T (F) en la vara de conexión (E) usando el pasador (3).
5. Asegúrese de que todas las conexiones estén bien apretadas.

INSTRUCCIONES DE FUNCIONAMIENTO

PARA LEVANTAR EL VEHÍCULO (vea las Figs. 2 y 3)

1. Coloque el gato sobre una superficie dura y nivelada.
2. Para evitar que el vehículo resbale durante el levantamiento, **SÓLO** use los puntos del vehículo especificados por el fabricante en el manual del usuario del vehículo.
3. Coloque el gato debajo del vehículo de manera que el asiento de levantamiento (C) (vea la Fig. 2) esté colocado debajo del punto de levantamiento del vehículo.
4. Bombee el pedal (J) (vea la Fig. 3) hasta que el asiento de levantamiento (C) entre en contacto con el vehículo a ser elevado; proceda a bloquear la rueda presionando con el pie la lengüeta marcada como "LOCK" (bloqueo). **SIEMPRE** asegúrese de que el asiento y el vehículo estén colocados correctamente **ANTES** de levantar el gato.
5. Use el pedal para elevar el vehículo. Bombee el pedal hasta que el extremo de la barra de bloqueo de altura se mueva más allá del diente de bloqueo de posición. El extremo de la barra de bloqueo de altura caerá en posición por detrás del diente de bloqueo. Presione levemente el pedal de liberación de manera que el extremo de la barra se deslice hasta quedar bien recostado sobre el diente.
6. Use los amarres (vea la sección de fijación del vehículo en la página 7) para asegurar el vehículo una vez que haya sido levantado a la altura deseada. Apriete bien los amarres.
7. Establezca el gato con su carga sobre una superficie dura para obtener un balance máximo ajustando los tornillos de bloqueo (G) (vea la Fig. 2).



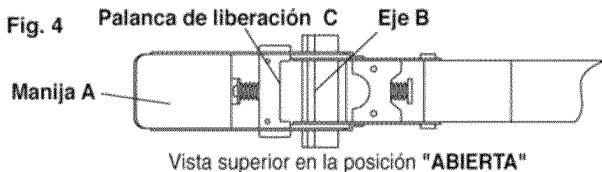
PARA BAJAR EL VEHÍCULO - Fig. 2

1. Eleve levemente el gato y tire del dispositivo de liberación de bloqueo de altura para liberar la barra de bloqueo de altura.
2. Fije el dispositivo de liberación de bloqueo de altura (D) al sujetador (Q) para bajar completamente el vehículo.
3. Presione el pedal de liberación (K) con mucha suavidad para bajar el asiento (C) y el vehículo.

INSTRUCCIONES DE FUNCIONAMIENTO (cont.)

PRECAUCIÓN: Los amarres se aflojarán y el vehículo se liberará a medida que se arrastre el vehículo.

FIJACIÓN DEL VEHÍCULO con los amarres de trinquete de 1" x 15 pies (vea las Figs. 4 y 4A)



1. Asegure un extremo con gancho del amarre a la manija de transporte (H). Coloque el amarre sobre el vehículo. Asegure el otro extremo con gancho al eje delantero de la rueda.
2. Con la manija de amarre (A) en la posición cerrada, tome el extremo largo del amarre y deslícelo a través de la ranura de inserción en el eje. Tire hacia atrás sobre el eje.
3. Apriete el amarre moviendo la manija hacia adelante y hacia atrás a modo de trinquete hasta que el vehículo esté asegurado. Para mantener el amarre en posición mientras lo aprieta, puede ser necesario sostener el amarre restante a mano hasta que el mismo esté apretado.
4. Para bloquear el trinquete, coloque la manija del amarre (A) en la posición cerrada.

PRECAUCIÓN: Para evitar daños al vehículo, **NO** apriete demasiado el amarre.

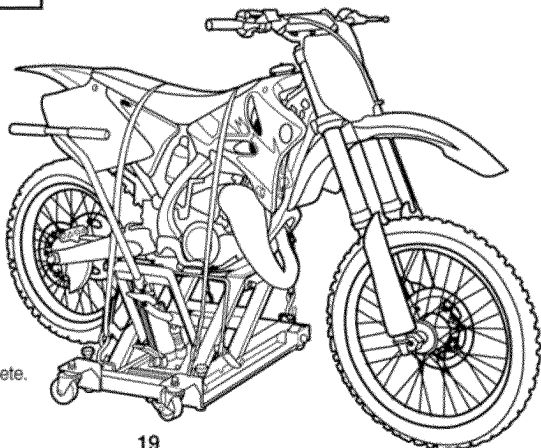


Fig. 4A

Moto de chasis alto fijada sobre el gato con las dos placas adaptadoras de 2" vendidas por separado y los dos amarres de trinquete.

INSTRUCCIONES DE FUNCIONAMIENTO (cont.)

LIBERACIÓN DEL VEHÍCULO DE LOS DOS AMARRES DE TRINQUETE, (vea la Fig. 4B)

Fig. 4B



1. Sostenga el trinquete en una mano y con la otra mano tire la palanca de liberación (C) hacia atrás.
2. A medida que sostiene la palanca de liberación (C) hacia atrás, abra la manija (A) completamente hasta pasar los engranajes de bloqueo hasta que la palanca (C) se bloquee en la posición completamente abierta o hasta que el vehículo sea liberado.

⚠ PRECAUCIÓN: El vehículo será liberado en este momento.

3. Para retirar el amarre, tire del trinquete hacia arriba y deslice el amarre hasta sacarlo del eje (B).

⚠ ADVERTENCIA: PARA LOS DOS AMARRES DE TRINQUETE

1. **NO** use el amarre para remolcar vehículos o para sostener o soportar peso humano.
2. **NO** use alicates u otras herramientas para mover la manija del amarre de trinquete (A) (vea la Fig. 4B). Sólo use la fuerza de su mano.
3. Proteja el tramado del amarre de bordes afilados, calor y ácido. Reemplace la cinta del amarre si está cortada, desgastada o dañada. Inspeccione el tramado del amarre, los ganchos y los accesorios antes de cada uso.

MANTENIMIENTO (vea las Fig. 1 y 2)

PARA AÑADIR EL ACEITE HIDRÁULICO PARA GATOS

Con los asientos de levantamiento completamente bajos y el gato a nivel del piso, desenrosque y retire el tapón de llenado del aceite. Usando aceite hidráulico SAE 5W de alto grado para gatos, llene el tanque de aceite hasta la parte inferior de la rosca en el agujero de llenado de aceite. Vuelva a colocar el tapón de llenado de aceite y apriételo. **NO PERMITA** que entre sucio o desperdicios al sistema.

PARA REEMPLAZAR EL ACEITE HIDRÁULICO PARA GATOS

- Abra la válvula de liberación presionando el pedal de liberación (K). Desenrosque y retire el tapón de llenado de aceite.
- Voltee el gato completo para que todo el aceite viejo se drene a través del agujero de llenado del aceite.

NOTA: Cuando drene aceite, use un envase adecuado y **SIEMPRE** siga **TODAS** las pautas locales y estatales de eliminación de desechos.

- Después de que el aceite viejo se haya drenado del gato, vuelva a colocar el gato en posición nivelada para llenar el tanque con aceite nuevo.
- Bombee rápidamente el pedal del gato (J) 6 a 8 veces para liberar cualquier cantidad de aire presurizado.
- Usando aceite hidráulico SAE 5W de alto grado para gatos, llene el tanque de aceite hasta la parte inferior de la rosca en el agujero de llenado de aceite. **NO PERMITA** que entren sucio y desperdicios al sistema.
- Vuelva a colocar el tapón de llenado de aceite y apriételo.

IMPORTANTE: Cuando añada o reemplace el aceite, **SIEMPRE** use un aceite para gatos hidráulicos de grado alto (SAE 5W). **NUNCA** use liga de frenos, alcohol, glicerina, aceite de motor detergente o aceite sucio de ningún tipo. El uso de aceite inadecuado causará daños internos graves al gato.

LUBRICACIÓN

- Use aceite lubricante de alto grado en todas las piezas cuando sea necesario.

ALMACENAMIENTO

Cuando el gato no esté en uso o esté almacenado, **SIEMPRE** baje completamente el asiento.

PREVENCIÓN DE ÓXIDO

Verifique la unidad de energía (ariete hidráulico) (vea la lista de piezas, Fig. 2, (I) Pág. 17) cada dos meses (o antes, dependiendo del uso) en busca de señales de óxido o corrosión. Limpie y pule con un paño de aceite.

ESPECIFICACIONES

Capacidad de carga máxima:.....1.500 lbs. (681 kg)
Bloqueo de posición:11 3/4", 14 1/4" y 16 1/2"
Tamaño:35 1/2 x17 x 14 pulgadas
Peso sin los dos amarres y sin las dos
placas adaptadoras (vendidas por separado):.....77 lbs.

LOCALIZACIÓN Y SOLUCIÓN DE AVERÍAS

PROBLEMA	CAUSA	SOLUCIÓN
El gato no baja completamente	<ol style="list-style-type: none">1. Hay aire en el sistema hidráulico2. La válvula de liberación está atascada	<ol style="list-style-type: none">1. Purgue el aire del sistema hidráulico*2. Transfiera el peso y limpie la válvula
El gato no levanta hasta la altura máxima	<ol style="list-style-type: none">1. El nivel de aceite está bajo2. Hay aire en el sistema hidráulico	<ol style="list-style-type: none">1. Llene el depósito hasta el nivel recomendado2. Purgue el aire del sistema hidráulico*
Levantamiento débil	<ol style="list-style-type: none">1. Hay aire en el sistema hidráulico2. Aceite sucio	<ol style="list-style-type: none">1. Purgue el aire del sistema hidráulico*2. Cambie el aceite. Use aceite SAE 5W
El gato no levanta la carga	<ol style="list-style-type: none">1. Peso excesivo2. El nivel de aceite está bajo	<ol style="list-style-type: none">1. Reduzca el peso o utilice un gato de mayor capacidad2. Llene el depósito hasta el nivel recomendado

* Para purgar el aire, vea la sección de instrucciones de purga del aire en la página 15.

Get it fixed, at your home or ours!

Your Home

For repair - **in your home** - of all major brand appliances, lawn and garden equipment, or heating and cooling systems, **no matter who made it, no matter who sold it!**

For the replacement parts, accessories and owner's manuals that you need to do-it-yourself.

For Sears professional installation of home appliances and items like garage door openers and water heaters.

1-800-4-MY-HOME® (1-800-469-4663)

Call anytime, day or night (U.S.A. and Canada)

www.sears.com www.sears.ca

Our Home

For repair of carry-in items like vacuums, lawn equipment, and electronics, call or go on-line for the location of your nearest

Sears Parts & Repair Center.

1-800-488-1222

Call anytime, day or night (U.S.A. only)

www.sears.com

To purchase a protection agreement (U.S.A.) or maintenance agreement (Canada) on a product serviced by Sears:

1-800-827-6655 (U.S.A.)

1-800-361-6665 (Canada)

Para pedir servicio de reparación a domicilio, y para ordenar piezas:

1-888-SU-HOGAR®
(1-888-784-6427)

Au Canada pour service en français:

1-800-LE-FOYER^{MC}
(1-800-533-6937)
www.sears.ca

The Sears logo is displayed in a large, bold, black serif font. A thin, curved line is positioned below the letters 'e' and 'a'.

® Registered Trademark / TM Trademark / SM Service Mark of Sears Brands, LLC

© Marca Registrada / TM Marca de Fábrica / SM Marca de Servicio de Sears Brands, LLC

^{MC} Marque de commerce / ^{MD} Marque déposée de Sears Brands, LLC

© Sears Brands, LLC

Free Manuals Download Website

<http://myh66.com>

<http://usermanuals.us>

<http://www.somanuals.com>

<http://www.4manuals.cc>

<http://www.manual-lib.com>

<http://www.404manual.com>

<http://www.luxmanual.com>

<http://aubethermostatmanual.com>

Golf course search by state

<http://golfingnear.com>

Email search by domain

<http://emailbydomain.com>

Auto manuals search

<http://auto.somanuals.com>

TV manuals search

<http://tv.somanuals.com>