

SEARS

PARTS MANUAL

MODEL NO.
919.153470



CRAFTSMAN. "TWIN-V" OILFREE AIR COMPRESSOR

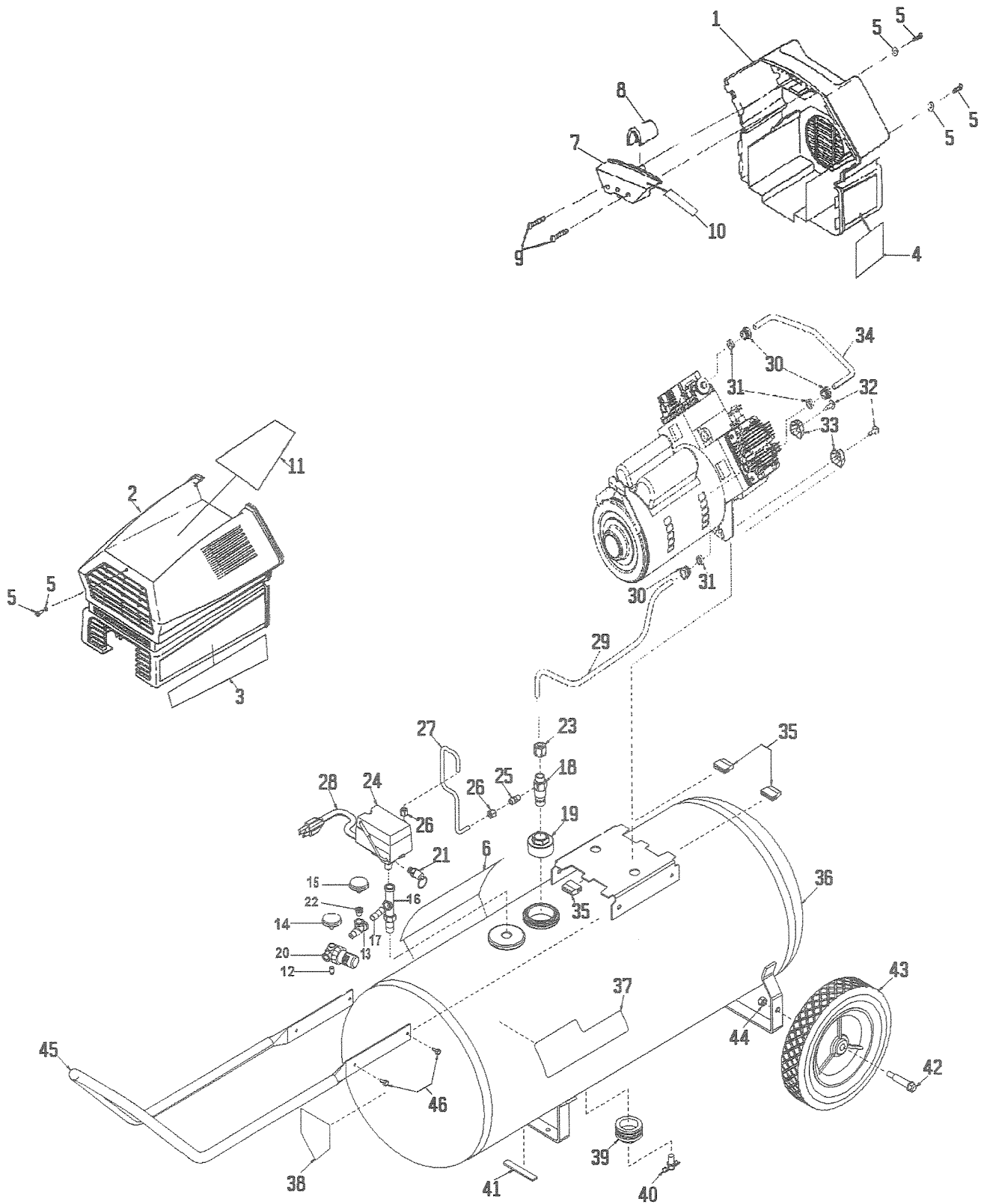
SPECIFICATION CHART

Model No.	919.153470
Horsepower	3½
Displacement CFM	10.6
Bore	2 3/8"
Stroke	1.2"
Voltage-Single Phase	120/240
Minimum Branch Circuit Requirement	15 amps
Fuse Type	Time Delay
Air Tank Capacity - GAL	20 Gal. ASME
Approximate Cut-in Pressure	100
Approximate Cut-out Pressure	125
SCFM @ 40 psig	8.5
SCFM @ 90 psig	6.4
U. L. Listed	Yes

IMPORTANT:
Read the Safety Guidelines and
All Instructions Carefully Before
Operating.

Sears, Roebuck and Co., Hoffman Estates, IL 60179 U.S.A.

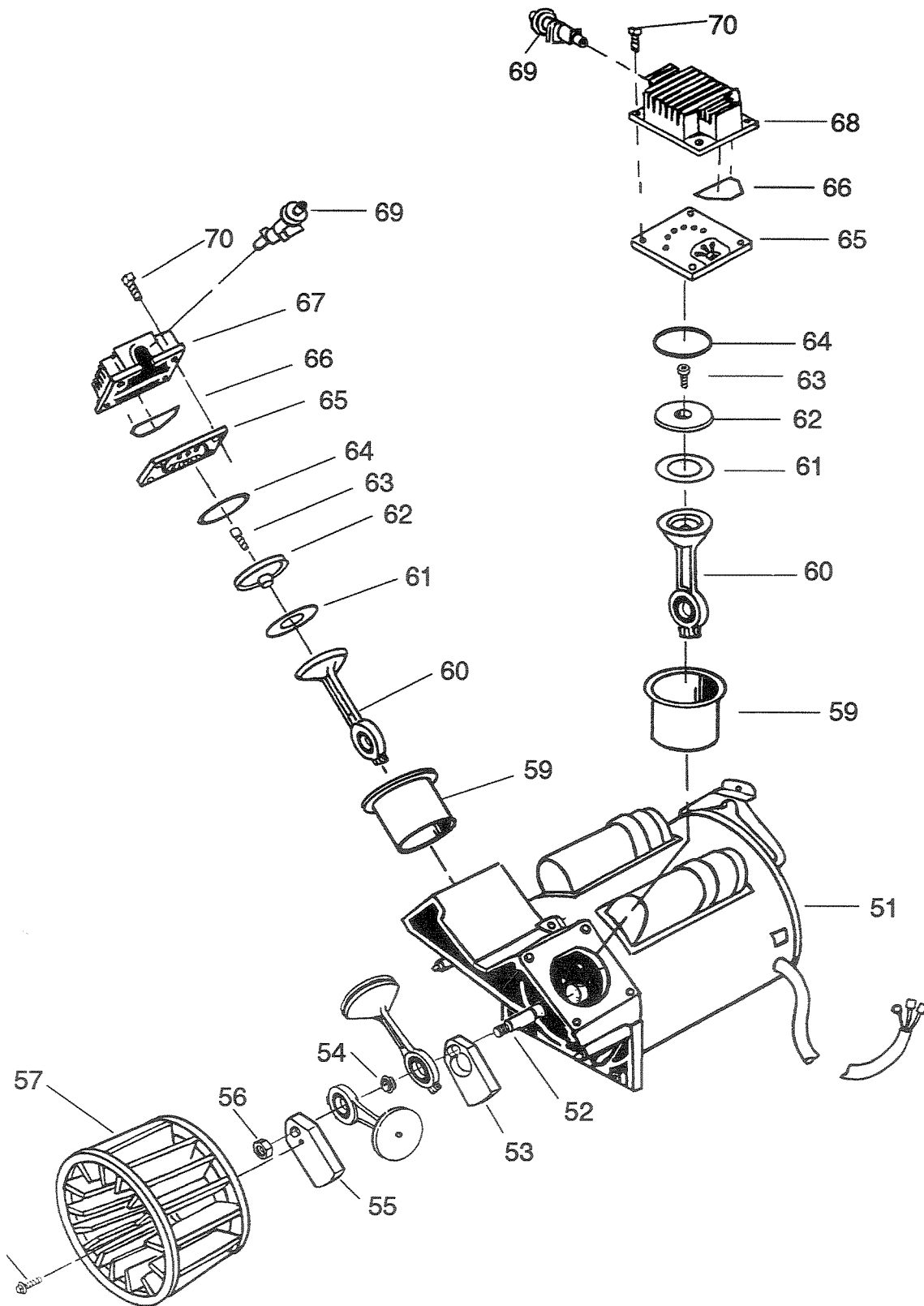
AIR COMPRESSOR DIAGRAM



PARTS LIST

<u>KEY NO.</u>	<u>PART NUMBER</u>	<u>DESCRIPTION</u>
1	ACG-14	Shroud, Front
2	AC-0030	Shroud, Rear
3	LA-2840	Label, Billboard, Sears
4	LA-2839	Label, Performance 3½ HP
5	ACG-408	Fastener Assembly (3 used: Torque 33-38 in.-lbs)
6	LA-2643	Label, Warning
7	ACG-13	Cover, Intake Muffler
8	ACG-12	Filter Element
9	SSF-554	Screw, #10-14 x 2.5 Pan Head (2 used)
10	LA-2616	Label, Air Filter Cover
11	CL-726	Label, Spec
12	SS-1215	Pipe Plug
13	AC-0185	Street Tee
14	GA-352	Regulated Pressure Gauge
15	GA-352	Tank Pressure Gauge
16	AC-0027-1	Manifold
17	SS-2071	Nipple, 1/4 - 18 NPT x 1.5
18	CAC-4290-3	Check Valve
19	SSP-485	Reducer
20	AC-0007	Regulator
21	97503734	Safety Valve
22	SSP-6021	Bushing Reducer 1/8 - 1/4 NPT
23	SSP-7813	Nut/Sleeve Assy.
24	AC-0008	Pressure Switch
25	SS-8553	Connector Body
26	SSP-7811	Nut/Sleeve Assy. (2 used)
27	AC-0028	Pressure Relief Tube
28	SUDL-413-2	Cord Assembly
29	AC-0098	Outlet Tube
30	SSP-7821-1	Nut Brass Compression (3 used)
31	SSG-3105	O-Ring(3 used)
32	SSF-927	Screw, 1/4" - 20 x 1 1/8" (2 used)
33	ACG-18	Cup, Saddle Mount (2 used)
34	AC-0099	Outlet Tube
35	ACG-19	Isolator (3 used)
36	TA-4359	Tank - 20 Gallon
37	LA-2841	Label, Sears Industrial
38	LA-1978-1	Label, Drain Tank
39	SSP-470	Hex Reducer Bushing
40	SS-2707	Drain Valve
41	SUDL-6-1	Strip, Rubber Foot
42	CAC-60	Shoulder Bolt (2 used)
43	AC-0014	Wheel - 9" (2 used)
44	SSF-8080-ZN	Nut, Hex 3/8" (2 used)
45	AC-0002	Handle
46	SSF-981	Screw (4 used)

COMPRESSOR PUMP DIAGRAM



PARTS LIST

<u>KEY NO.</u>	<u>PART NUMBER</u>	<u>DESCRIPTION</u>
51	MO-9065	Motor
52	ACG-8	Pin, Eccentric
53	ACG-6	Counter Balance, Inner
54	ACG-9	Washer
55	ACG-7	Counter Balance, Outer
56	ACG-23	Nut (Torque 85-90 ft.-lbs.)
57	ACG-22	Fan
58	39124607	Screw, Self Tap 1/4 x 5/8 (Torque 130-145 in.-lbs.)
59	CAC-249-3	Sleeve, Cylinder (2 used)
60	ACG-65	Connecting Rod (2 used)
61	DAC-308	Compression Ring (2 used)
62	ACG-29	Connecting Rod Cap (2 used)
63	SSF-3158-1	Screw, 10-24 x .75 (2 used: T25 Torx HD)
64	SSG-8156	O-Ring (2 used)
65	AC-0032	Valve Plate Assembly (2 used)
66	ACG-45	O-ring, Perm Lube Head (2 used)
67	AC-0038	Head, Left
68	AC-0037	Head, Right
69	ACG-11	Muffler, Intake (2 used)
70	SSF-927	Screw, 1/4" - 20 x 1 1/8" (8 used: Torque 7-10 ft.-lbs.)

NOT ILLUSTRATED

M-153470	Parts Manual
MG1-PERMTWIN	Owner's Manual
AC-0180	Quick Disconnects Adaptor
SS-2071	Nipple 1/4 - 18 NPT x 1.5
SS-1215	Pipe Plug 1/8" (2 supplied)

- Key No's 59, 60, 61, 62, 63, 64, & 66 can be purchased as KK-5081, Connecting Rod Kit.
- + Key No's 59, 61, & 63 can be purchased as K-0058, Compression Ring Kit.

SERVICE NOTES

SERVICE NOTES

SEARS

PARTS MANUAL

MODEL NO.
919.153470

When requesting service or ordering parts, always provide the following information:

- Model Number
- Part Number
- Part Description
- Name of Item

FULL ONE YEAR WARRANTY AIR COMPRESSOR

If this air compressor fails due to a defect in material or workmanship within one year from the date of purchase, RETURN IT TO THE NEAREST SEARS REPAIR CENTER THROUGHOUT THE UNITED STATES AND SEARS WILL REPAIR IT, FREE OF CHARGE.

If this air compressor is used for commercial or rental purposes, the warranty will apply for ninety days from the date of purchase.

This warranty gives you specific legal rights and you may have other rights which vary from state to state.

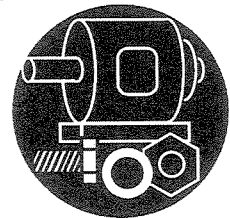
CRAFTSMAN[®] PERMANENTLY LUBRICATED AIR COMPRESSOR

For the repair or replacement parts you need

Call 7 am - 7 pm, 7 days a week

1-800-366-PART

(1-800-366-7278)



For in-home major brand repair service

Call 24 hours a day, 7 days a week

1-800-4-REPAIR

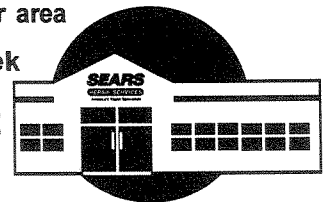
(1-800-473-7247)



For the location of a
Sears Parts and Repair Center in your area

Call 24 hours a day, 7 days a week

1-800-488-1222



For information on purchasing a Sears
Maintenance Agreement or to inquire
about an existing Agreement

call 9 am - 5 pm, Monday-Saturday

1-800-827-6655



SEARS
REPAIR SERVICES
America's Repair Specialists

Sears, Roebuck and Co., Hoffman Estates, IL 60179 U.S.A.

Free Manuals Download Website

<http://myh66.com>

<http://usermanuals.us>

<http://www.somanuals.com>

<http://www.4manuals.cc>

<http://www.manual-lib.com>

<http://www.404manual.com>

<http://www.luxmanual.com>

<http://aubethermostatmanual.com>

Golf course search by state

<http://golfingnear.com>

Email search by domain

<http://emailbydomain.com>

Auto manuals search

<http://auto.somanuals.com>

TV manuals search

<http://tv.somanuals.com>