

You must also include the following items:

- A copy of your sales receipt or other proof of purchase
- A brief letter indicating the problem you are experiencing
- include in your letter your return address, daytime phone number, and R.A. number
- also include a check or money order for \$15.00 for return shipping, handling, and insurance, or provide your Visa/MC number with expiration date.

Our obligation under this warranty is limited to the repair or replacement of the defective unit when it is returned to us prepaid. This warranty will be considered void if the unit was tampered with, improperly serviced, or subject to misuse, neglect, or accidental damage.

All Pyramid products are carefully constructed and thoroughly tested before shipment. Products purchased in the USA are warranted to be free of defects in material and workmanship for two (2) years from the date of purchase. This warranty is limited to the original retail purchase.

Should the product fail due to factory defects in material or workmanship, your unit will be repaired or replaced at the sole discretion of Pyramid.

To obtain warranty service you must first call our Consumer Return Hotline number at (718) 236-6948 to obtain a Return Authorization number. This R.A.# must appear on the outside of your package and on all paperwork relating to your return.

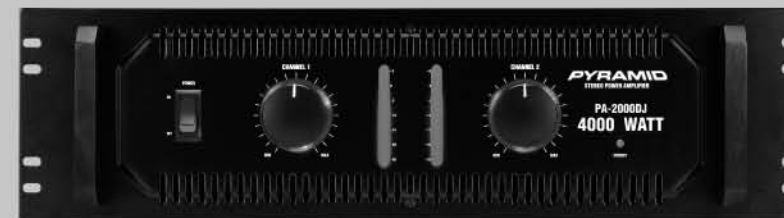
When returning a product to us for warranty service it must be carefully packed and shipped prepaid to:

R.A.#
Pyramid Service Center
1600 63rd Street
Brooklyn, NY 11204

limited warranty policy

PYRAMID

power amplifier



Owner's Manual

PA-600DJ Amplifier
PA-800DJ Amplifier
PA-1000DJ Amplifier
PA-2000DJ Amplifier

www.pyramidcaraudio.com

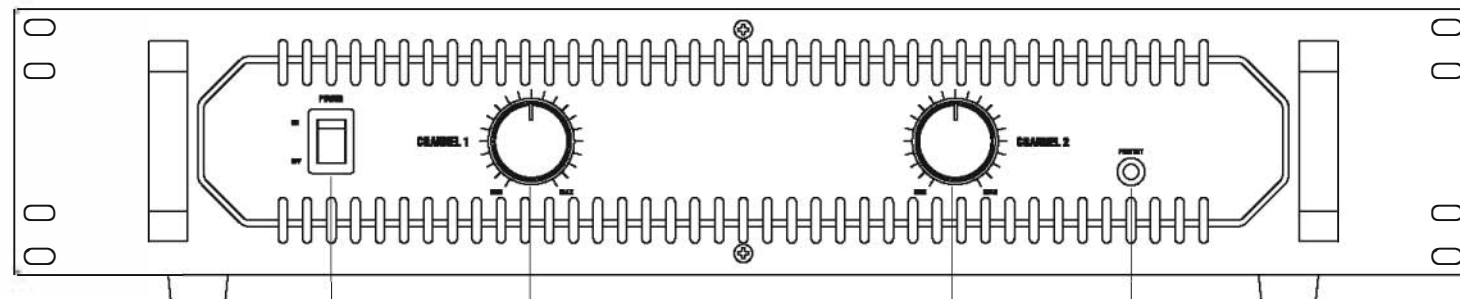
Your New PYRAMID PA series P.A. Amplifier gives you the power and versatility you need in a professional sound system. The amplifier's wide frequency response makes it suitable for amplifying music or vocal program material. It can be used for live bands, office paging systems, public announcements, or a variety of other installations.

TABLE OF CONTENTS

- 1 Features and Controls, PA-600DJ/800DJ/1000DJ/2000DJ
- 2 Installation Guidelines
- 2 Input Connections
- 2 Connecting a CD, DVD or tape player or tuner
- 2 Connecting an equalizer or signal processor
- 2 Stereo or Mono Inputs
- 2 Speaker connections
- 3 Bridged Mode Operation
- 4 Connecting to standard AC power
- 4 Mounting the amplifier
- 4 Turning the amplifier on
- 4 Using the power LED meter (Without PA-600DJ)
- 4 Caring for your Pyle Pro Amplifier
- 4 Using the channel1 and channel2 output level controls
- 4 About the internal clip circuitry
- 5 Specifications
- 5 Limited warranty

Please read this manual thoroughly before you attempt to set up and use the amplifier. It contains a range of installation suggestions as well as instructions to ensure safe usage. Installed properly, you can expect years of trouble-free service from this product.

FEATURES AND CONTROLS FRONT PANEL, PA-600DJ

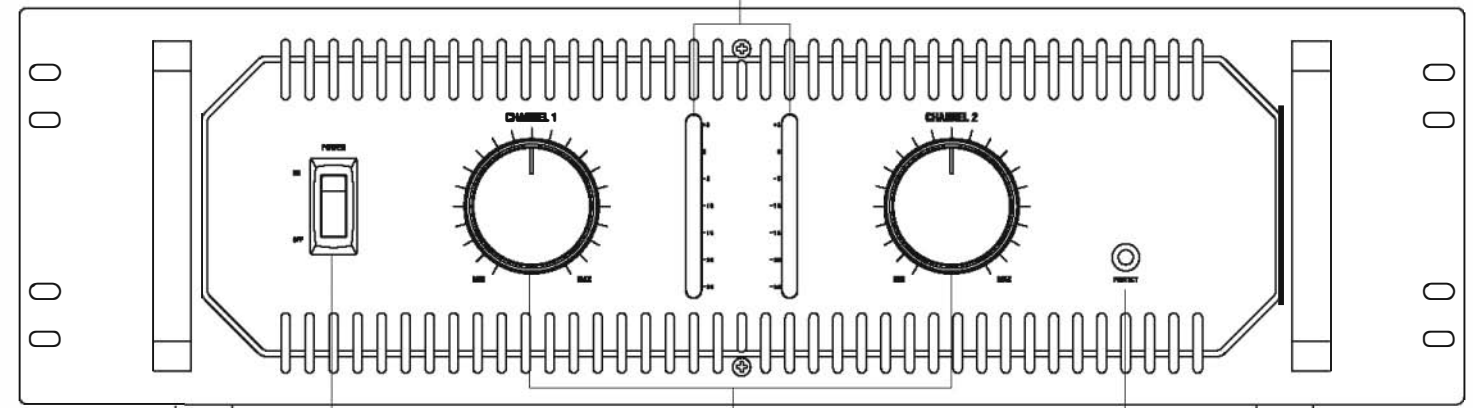


Power On/Off

Channel 1 and Channel 2
Output Level Controls
Lets you adjust the sound levels
for each channel.

Protection Circuit and Indicator
The indicator will be illuminated when
the amplifier is powered on and at turn-
on delay status; the indicator will be
turned off after internal outputs are
connected. The indicator will also be
illuminated when the amplifier has
abnormal problems, such as overload
or excessive heat.

FEATURES AND CONTROLS FRONT PANEL, PA-800DJ/1000DJ/2000DJ

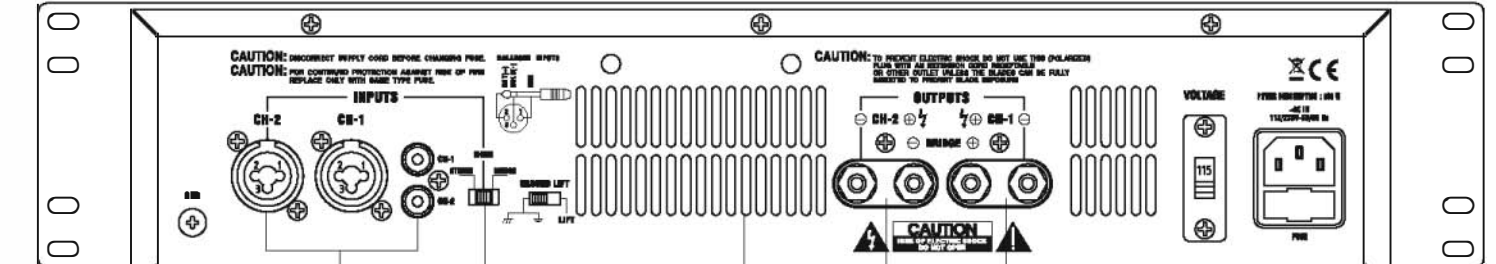


Power On/Off

Channel 1 and Channel 2
Output Level Controls
Lets you adjust the sound levels
for each channel.

Protection Circuit and Indicator
The indicator will be illuminated when
the amplifier is powered on and at turn-
on delay status; the indicator will be
turned off after internal outputs are
connected. The indicator will also be
illuminated when the amplifier has
abnormal problems, such as overload
or excessive heat.

REAR PANEL, PA-600DJ



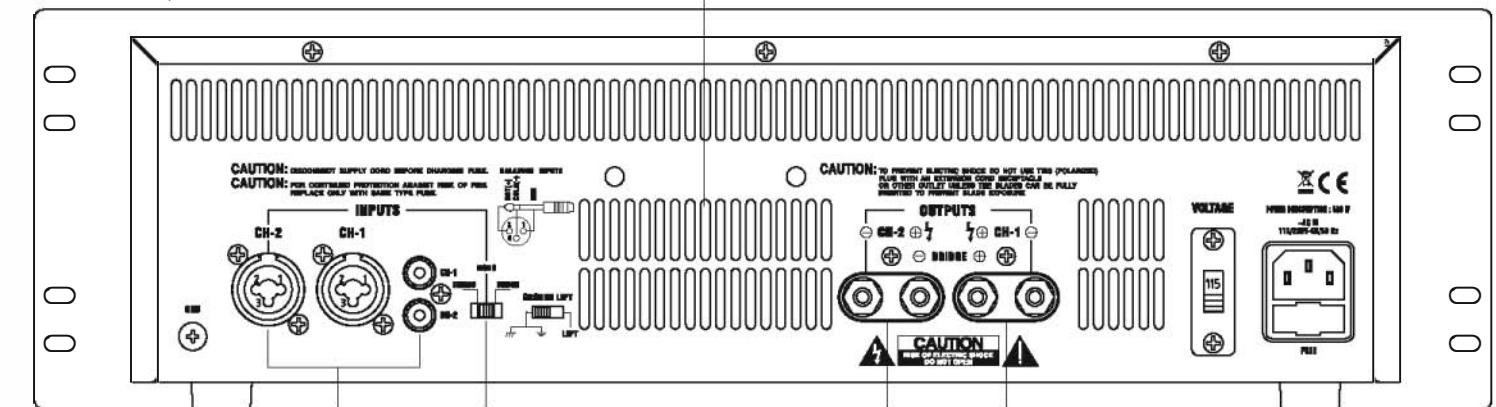
Input Jacks
Let you connect a variety of audio
input sources via the balanced
(XLR/6.35mm phone jack
combinations) or unbalanced (RCA)
inputs.

Stereo/Mono Switch
Lets you select conventional
stereo operation with a
stereo input signal or bridged
mono input mode.

Speaker terminals
Permits hookup of A
stereo pair of speakers
or a bridged speaker via
the wire terminals.

Fan Cooling
Cooling system is automatically activated whenever amplifier is turned on.
This forced air cooling system rapidly exhausts interior heat, reducing operating
temperature and aiding performance.

REAR PANEL, PA-800DJ/1000DJ/2000DJ



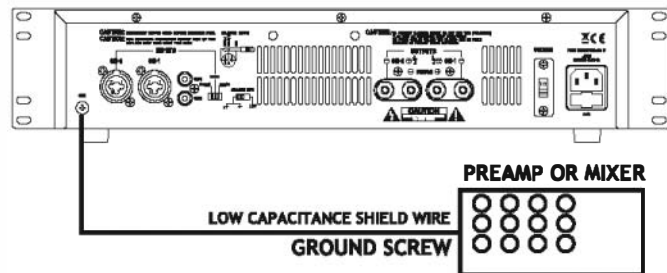
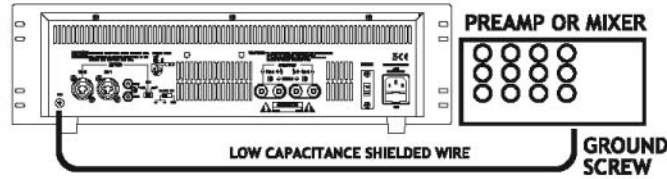
Input Jacks
Let you connect a variety of audio
input sources via the balanced
(XLR/6.35mm phone jack
combinations) or unbalanced (RCA)
inputs.

Stereo/Mono Switch
Lets you select conventional
stereo operation with a
stereo input signal or bridged
mono input mode.

Speaker terminals
Permits hookup of A
stereo pair of speakers
or a bridged speaker via
the wire terminals.

INSTALLATION GUIDELINES

Connecting the GND (GROUND) screw terminal on a mixer or preamplifier may cause excessive noise or hum in the amplifier output. To prevent this, connect one end of a low-capacitance shield wire to the amplifier's ground screw (on the rear panel). Then connect the other end of this wire to the ground terminal on the mixer or preamplifier enclosure.

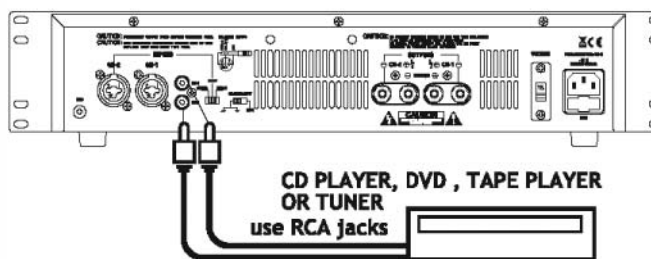
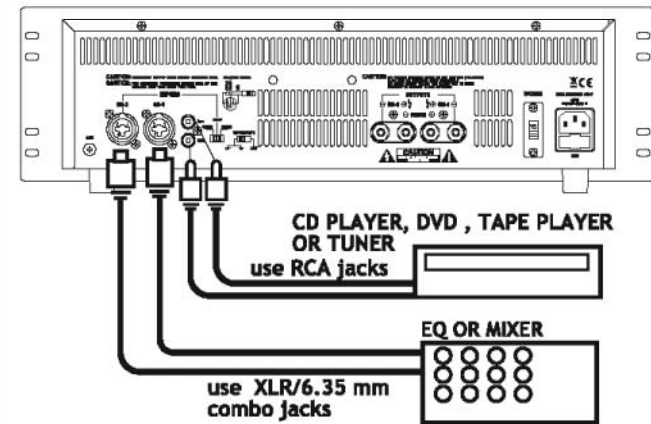


Input connections

These amplifiers accept a board range of input sources, including Compact Disc (CD,DVD) players; Cassette, Reel-to-Reel or other tape players; Radio Tuners; Equalizers; Signal Processors.

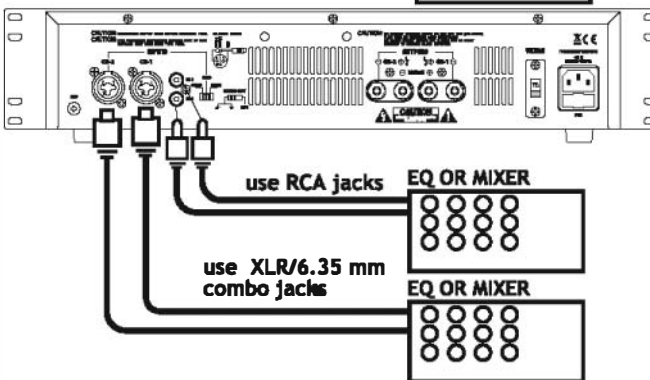
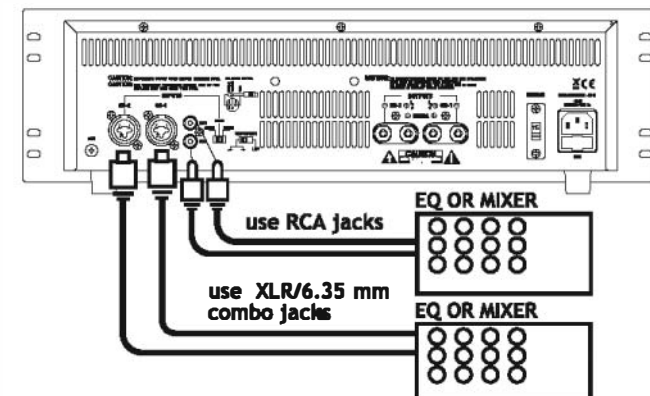
Connecting a CD, DVD, tape player or tuner

In a normal installation, one would use the RCA JACKS for connecting a CD player, DVD player, tape player or tuner.



Connecting an equalizer or external signal processor

Connect the processor's OUT to the amplifier's IN connector.



Stereo or Mono Inputs

Your Pyle Pro amplifier can be operated in Stereo, Mono or Bridged mode, depending on the input source. If the input signal is mono, slide the Stereo/Mono/Bridged selector switch to MONO and the signal will be routed through both channels. If you wish to run the amplifier in bridged output mode, slide the switch to Bridged.

Speaker connections

You can connect 4 Ohm, 8 Ohm or 16 Ohm speakers to Channel 1 and/or Channel 2 of the amplifier. If you connect two pairs of speakers, be sure to follow these guidelines:

- Speakers which are connected to the same channel are part of a pair, and must be of the same impedance.
- Speakers connected to different channels are NOT part of a pair, and can be of different impedances.

1. Prepare the speaker wire by removing about 1 inch of insulation from the end of the speaker wire you intend to connect to the amplifier. Then twist the exposed wire to secure all the wire strands.

NOTE: Use 16-gauge speaker wire for lengths up to 25 feet; 14-gauge wire for lengths over 25 feet. It is recommended that you use the shortest length of wire possible.

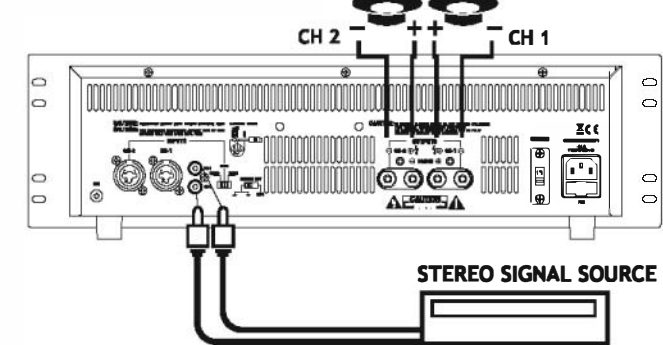
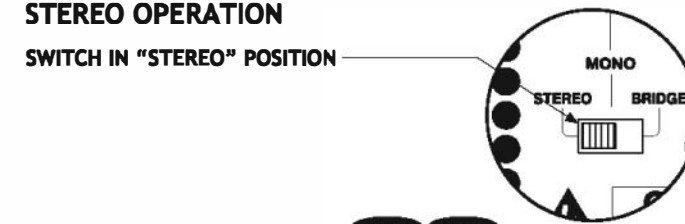
2. Connect the speaker wires to the speaker's positive and negative terminals.

NOTE: Most speaker terminals are either color-coded or have a mark that indicates the terminal's polarity. Usually positive terminals are red or have a plus symbol (+), and negative terminals are black or have a minus symbol (-).

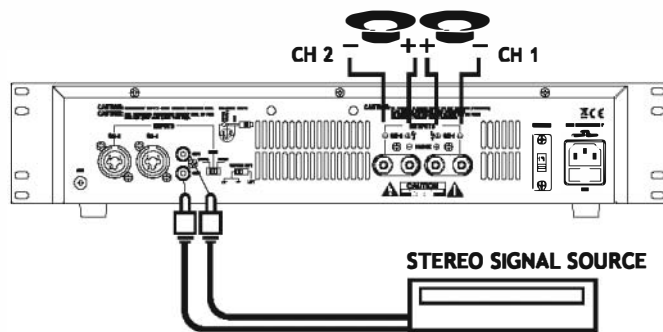
3. Connect the speaker wires to the amplifier's left and right speaker terminals according to the terminal color polarity.

STEREO OPERATION

SWITCH IN "STEREO" POSITION



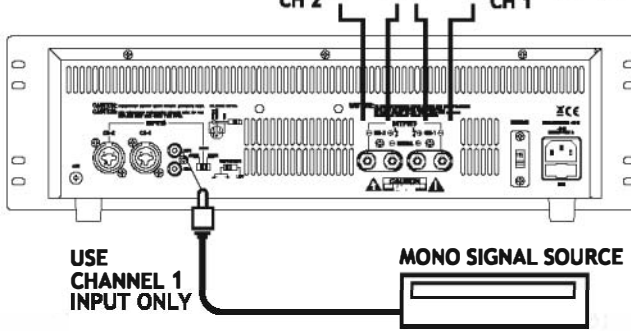
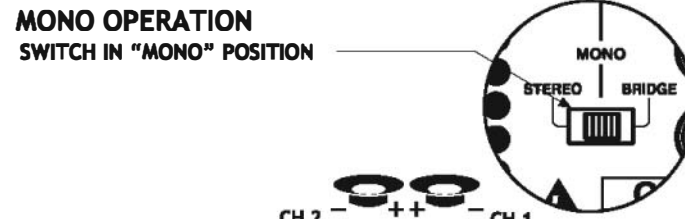
CAUTION! Do not use balanced and unbalanced inputs simultaneously!!



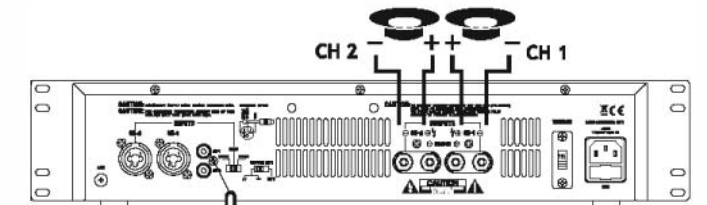
CAUTION! Do not use balanced and unbalanced inputs simultaneously!!

MONO OPERATION

SWITCH IN "MONO" POSITION



CAUTION! Do not use balanced and unbalanced inputs simultaneously!!



USE CHANNEL 1 INPUT ONLY

CAUTION! Do not use balanced and unbalanced inputs simultaneously!!

Bridged Mode Operation

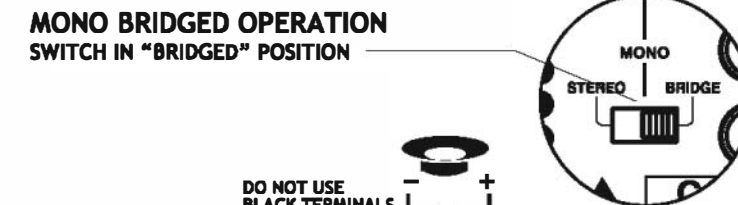
This amplifier can operate in a mono bridged output mode, if your speakers can handle the following power output levels:

As shown in the diagram below, connect the speaker's positive (+) to the amplifier's red speakers left (1/2) terminals and negative (-) to red speakers right (1/2) terminals.

The speaker right (+) on the amplifier is used as a negative (-) terminal for a bridged connection.

MONO BRIDGED OPERATION

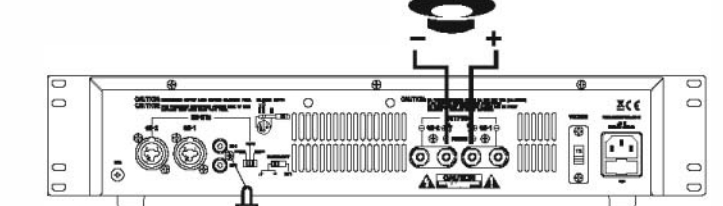
SWITCH IN "BRIDGED" POSITION



DO NOT USE BLACK TERMINALS

USE CHANNEL 1 INPUT ONLY

CAUTION! Do not use balanced and unbalanced inputs simultaneously!!



USE CHANNEL 1 INPUT ONLY

CAUTION! Do not use balanced and unbalanced inputs simultaneously!!

Connecting to standard AC power

After making all other connections, set the POWER switch to OFF position. Then connect the power cord to a standard AC outlet.

Mounting the amplifier

This amplifier is designed to accept standard rack mounting installations. Two slots on each end of the front panel make it suitable for such an installation.

Tightly secure four mounting screws (not supplied) through these four slots and into your standard electronics equipment rack.

Turning the amplifier on

1. Turn on the audio input source equipment which is connected to the amplifier INPUT jacks.

2. Set the amplifier's Channel 1 and Channel 2 output level gain controls to the minimum level settings.

3. Push in the power switch to turn the amplifier on.

Using the power LED meters (Without PA-600DJ)

The meter pointer position indicates the amplifier output power. For ease of reading in dark environments, the meter is illuminated.

Caring for your Pyramid PA Amplifier

Your Pyramid PA Amplifier is an example of superior design and craftsmanship. The following suggestions will help you care for your amplifier so you can enjoy years of use:

- Keep the amplifier dry. If it gets wet, wipe immediately.
- Use the amplifier only in well-ventilated installations.
- Handle the amplifier gently and carefully - do not drop!
- Keep the amplifier away from dust and dirt.
- Wipe occasionally with a damp cloth to keep it looking new. Do not use harsh chemicals, solvents or detergents!

Using the Channel 1 and Channel 2 Output Level controls

Rotate output level gain clockwise to increase, or counter-clockwise to decrease the output power. To get the best performance with the least sound distortion, always adjust the output level gain so the meter's pointer does not continuously exceed the extreme right of the meter's scale.

CAUTION: It is possible to overdrive the amplifier by setting output level gain too high, which may cause damage or failure.

Amplifier Specifications	PA-600DJ	PA-800DJ	PA-1000DJ	PA-2000DJ
Input Impedance, balanced (unbalanced)	20 k-Ohms (10 k-Ohms)	20 k-Ohms (10 k-Ohms)	20 k-Ohms (10 k-Ohms)	20 k-Ohms (10 k-Ohms)
Continuous Output Power				
Stereo Mode				
20 Hz to 20 kHz, 8 Ohms	70W x 2	120W x 2	170W x 2	200W x 2
1 kHz, 4 Ohms	100W x 2	160W x 2	220W x 2	240W x 2
Maximum Power, 8 Ohms	110W x 2	170W x 2	230W x 2	260W x 2
Maximum Power, 4 Ohms	130W x 2	200W x 2	270W x 2	270W x 2
Peak Power, 8 Ohms	600W x 2	800W x 2	1000W x 2	1800W x 2
Bridged Mode				
20 Hz to 20 kHz, 8 Ohms	140W x 1	240W x 1	340W x 1	400W x 1
1 kHz, 8 Ohms	140W x 1	240W x 1	340W x 1	400W x 1
Peak Power	1200W x 1	2000W x 1	3000W x 1	4000W x 1
THD at rated output power	0.1%	0.1%	0.1%	0.1%
Frequency Response +/- 3 dB	10 Hz to 50 kHz	10 Hz to 50 kHz	10 Hz to 50 kHz	10 Hz to 50 kHz
Input Sensitivity for rated output power	1.0V	1.0V	1.0V	1.0V
Signal-to-Noise Ratio A-Weighted	100 dB	100 dB	100 dB	100 dB
Speaker Impedance				
Stereo	4-16 Ohms	4-16 Ohms	4-16 Ohms	4-16 Ohms
Bridged	8-16 Ohms	8-16 Ohms	8-16 Ohms	8-16 Ohms
Power Requirement				
	120 VAC, 60 Hz / 230 VAC, 50 Hz			
Dimensions H x W x D, inches				
	3 15/32 x 19 x 10 3/4	5 3/16 x 19 x 11 31/32	5 3/16 x 19 x 11 31/32	5 3/16 x 19 x 11 31/32
(mm)				
	(88 x 482 x 273)	(132 x 482 x 304)	(132 x 482 x 304)	(132 x 482 x 304)
Weight, lbs (kg)				
	18.7 (8.5)	22.88 (10.4)	24.64 (11.2)	25.08 (11.4)

Free Manuals Download Website

<http://myh66.com>

<http://usermanuals.us>

<http://www.somanuals.com>

<http://www.4manuals.cc>

<http://www.manual-lib.com>

<http://www.404manual.com>

<http://www.luxmanual.com>

<http://aubethermostatmanual.com>

Golf course search by state

<http://golfingnear.com>

Email search by domain

<http://emailbydomain.com>

Auto manuals search

<http://auto.somanuals.com>

TV manuals search

<http://tv.somanuals.com>