

Gigabit Ethernet Switching

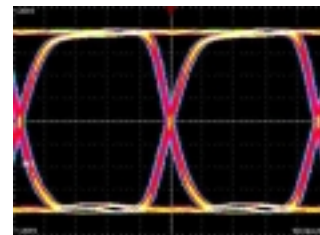
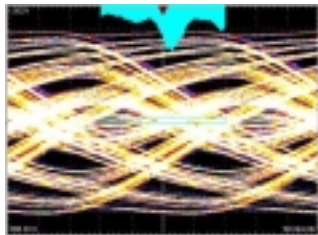
PMC-Sierra provides exceptional signal integrity SERDES and Retimer devices for Enterprise Switch backplanes and line cards

- Guaranteed Jitter Performance
- Extremely low bit error rates
- Widely deployed proven devices
- Low power and small package size
- Industrial temperature range



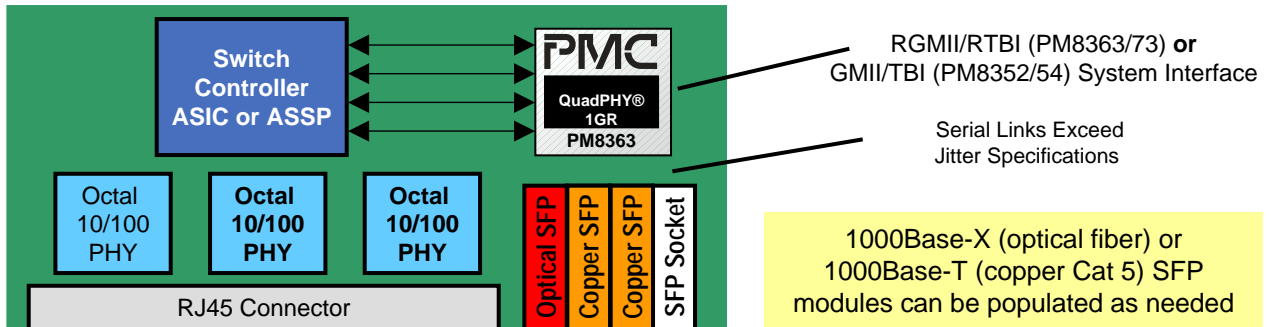
Enterprise Ethernet Switches

Device	Description
QuadPHY 1G	• 4 Port GE SERDES with GMII/TBI/DDR system interface
OctalPHY 1G	• 8 Port GE SERDES with GMII/TBI/DDR system interface
QuadPHY 1GR	• 4 Port GE SERDES with RGMII/RTBI system interface
HexPHY 1GR	• 6 Port GE SERDES with RGMII/RTBI system interface
QuadPHY FC	• 4 Port GE & 1/2GFC SERDES with HSPI/DDR system interface
QuadPHY RT	• 4 Port GE backplane retimer with extensive system diagnostics

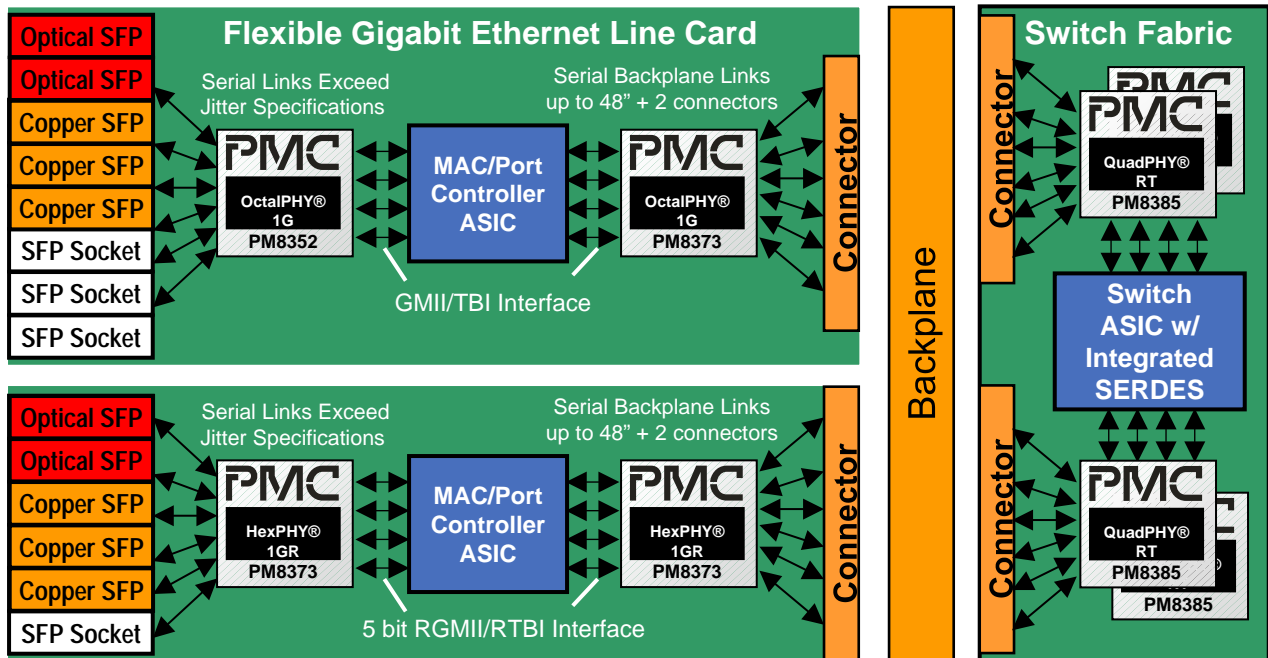


High-Performance Gigabit Serial Reiming via the QuadPHY RT

Gigabit Ethernet Uplinks - 24x10/100 + 4 x GE (or 48+4) Switch



Modular Gigabit Ethernet Switch



Contact Information:

www.pmc-sierra.com/contactSales

SERDES / Retimer Quick Links

For more information on PMC-Sierra's Portfolio of SerDes and Retimer devices visit:
www.pmc-sierra.com/serdes
 Download Data Sheets, Application Notes, White Papers



REGISTERED

PMC
 PMC - SIERRA

Thinking you can build on

Free Manuals Download Website

<http://myh66.com>

<http://usermanuals.us>

<http://www.somanuals.com>

<http://www.4manuals.cc>

<http://www.manual-lib.com>

<http://www.404manual.com>

<http://www.luxmanual.com>

<http://aubethermostatmanual.com>

Golf course search by state

<http://golfingnear.com>

Email search by domain

<http://emailbydomain.com>

Auto manuals search

<http://auto.somanuals.com>

TV manuals search

<http://tv.somanuals.com>