

GD33NR Direct Vent Gas Fireplace

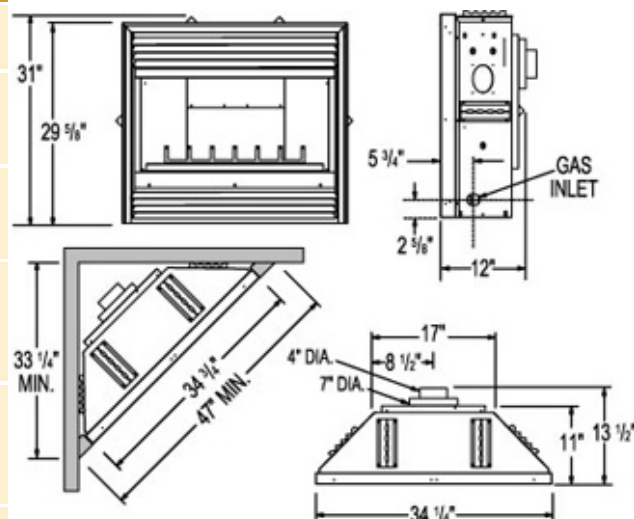
| Features | Manual

Specifications	GD33NR
Fuel	Natural Gas Propane
BTU Input	
Natural Gas	22,000
Propane	22,000
BTU Output	
Natural Gas	17,000
Propane	17,400
Maximum Heating Efficiency (Steady State)	
Natural Gas	77.2%
Propane	79 %
Maximum Heating Efficiency (AFUE)	
Natural Gas	63%
Propane	63%

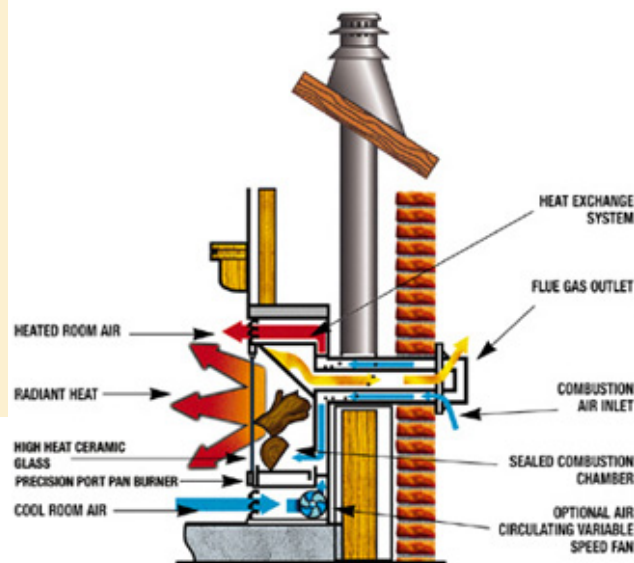
Additional Information

- No chimney required ... vents through the wall or roof
- 4" & 7" rear venting
- Overall depth of 12" makes for endless installation possibilities with a minimum of space
- No hearth extension required saving you space in smaller rooms
- Ground level and above installations
- Basement installations even below grade using a Periscope (#GD201)
- Approved for installation in bathrooms, bedrooms and bed-sitting rooms
- Suitable for mobile home installations
- Hot air distribution kit optional
- Approved with Simpson Dura-Vent Direct Vent Pipe
- Rear vent

Dimensions



Venting Flexibility



TESTED TO ANSI Z21.86, Z21.88

CSA 2.32 and CSA 2.33

Line dimensions are to be used as a guide only. Please consult your installation manual for updated and precise measurements before proceeding to install or frame your Napoleon Fireplaces. Check all Local and National Building Codes and Gas Regulations



Free Manuals Download Website

<http://myh66.com>

<http://usermanuals.us>

<http://www.somanuals.com>

<http://www.4manuals.cc>

<http://www.manual-lib.com>

<http://www.404manual.com>

<http://www.luxmanual.com>

<http://aubethermostatmanual.com>

Golf course search by state

<http://golfingnear.com>

Email search by domain

<http://emailbydomain.com>

Auto manuals search

<http://auto.somanuals.com>

TV manuals search

<http://tv.somanuals.com>