

INSTALLER: LEAVE THIS MANUAL WITH THE APPLIANCE
CONSUMER: RETAIN THIS MANUAL FOR FUTURE REFERENCE

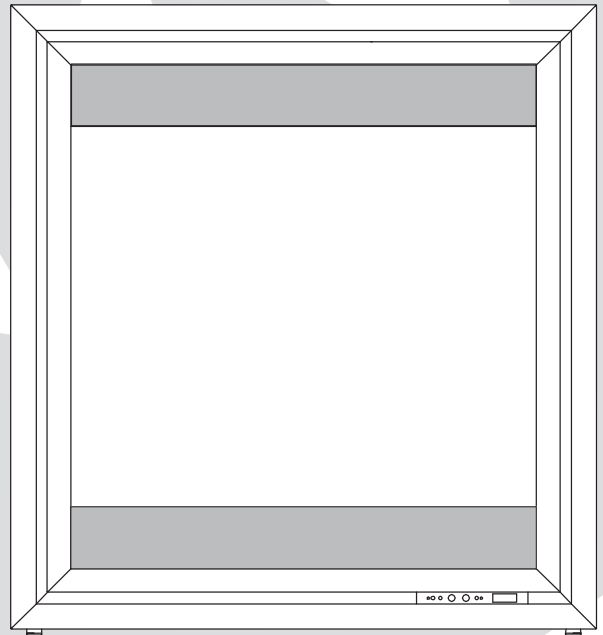


INSTALLATION AND OPERATION INSTRUCTIONS

CERTIFIED UNDER CANADIAN AND AMERICAN NATIONAL STANDARDS: CSA C22.2 No-46 / UL 1278 CSA STANDARD

EF30G

ELECTRIC FIREPLACE



CERTIFIED FOR CANADA AND UNITED STATES USING ANSI/CSA METHODS.

SAFETY INFORMATION



WARNING

If the information in these instructions are not followed exactly, an electrical shock or fire may result causing property damage, personal injury or loss of life.

- Do not store or use gasoline or other flammable vapors and liquids in the vicinity of this or any other appliance.



APPLY SERIAL NUMBER LABEL FROM CARTON



Serial No. XX XXX X 000000
MODEL NO.

Wolf Steel Ltd., 24 Napoleon Rd., Barrie, ON L4M 4Y8 Canada • (705)721-1212 • fax(705)722-6031
www.napoleonfireplaces.com • ask@napoleon.on.ca
For customer service inquiries, please call 1-866-592-6667
(9:00am - 5:00pm PST)

TABLE OF CONTENTS

| | | |
|------------|--|-----------|
| 1.0 | INTRODUCTION | 2 |
| 1.1 | WARRANTY | 3 |
| 1.2 | GENERAL INSTRUCTIONS | 4 |
| 1.3 | PRECAUTIONS | 4 |
| 1.4 | LISTING APPROVALS | 5 |
| 1.5 | DIMENSIONS | 6 |
| 1.6 | LOCATING APPLIANCE | 6 |
| 1.7 | UNPACKING AND TESTING APPLIANCE | 6 |
| 3.0 | ELECTRICAL REQUIREMENTS | 7 |
| 3.1 | GROUNDING APPLIANCE | 7 |
| 3.3 | HARDWIRE INSTALLATION | 8 |
| 3.0 | INSTALLATION | 10 |
| 3.1 | MINIMUM CLEARANCE TO COMBUSTIBLES | 10 |
| 3.2 | NEW CONSTRUCTION OR RENOVATION | 10 |
| 3.3 | INSTALLING THE APPLIANCE | 11 |
| 3.4 | GLASS EMBER INSTALLATION | 11 |
| 3.5 | THERMOSTAT AND THERMAL SENSOR INSTALLATION | 12 |
| 4.0 | FRAMING | 13 |
| 4.1 | HEARTH | 14 |
| 4.2 | COLD CLIMATE INSTALLATION | 14 |
| 4.3 | MINIMUM MANTEL CLEARANCES | 14 |
| 4.4 | FINISHING CHECKLIST | 14 |
| 5.0 | OPERATING INSTRUCTIONS | 15 |
| 5.1 | REMOTE CONTROL | 16 |
| 6.0 | MAINTENANCE | 17 |
| 6.1 | FLAME GENERATION BULB REPLACEMENT | 17 |
| 6.2 | EMBER BED BULB REPLACEMENT | 18 |
| 6.3 | CLEANING | 18 |
| 7.0 | REPLACEMENTS | 19 |
| 8.0 | TROUBLESHOOTING | 20 |

1.0 INTRODUCTION

WARNING

- Do not operate fireplace before reading and understanding operating instructions. Failure to operate fireplace according to operating instructions could cause fire or injury.
- Risk of burns. The fireplace should be turned off and cooled before servicing.
- Do not install damaged, incomplete or substitute components.
- Do not burn wood or other materials in this fireplace.
- Adults and especially children should be alerted to the hazards of high surface temperatures and should stay away to avoid burns or clothing ignition. Supervise young children when they are in the same room as the fireplace.
- Clothing or other flammable material should not be placed on or near the fireplace.
- Due to high temperatures, the fireplace should be located out of traffic and away from furniture and draperies.
- Ensure you have incorporated adequate safety measure to protect infants/toddlers from touching hot surfaces.
- Even after the fireplace is out, the glass and/or screen will remain hot for an extended period of time.
- Check with your local hearth specialty dealer for safety screens and hearth guards to protect children from hot surfaces. These screens and guards must be fastened to the floor.
- Any safety screen or guard removed for servicing must be replaced prior to operating the fireplace.
- It is imperative that the control compartments, circulating blower and its passageway in the fireplace and are kept clean. The fireplace should be inspected before use and at least annually by a qualified service person. More frequent cleaning may be required due to excessive lint from carpeting, bedding material, etc. The fireplace area must be kept clear and free from combustible materials, gasoline and other flammable vapors and liquids.
- Under no circumstances should this fireplace be modified.
- Do not use this fireplace if any part has been under water. Immediately call a qualified service technician to inspect the fireplace and to replace any part of the control system which has been under water.
- Do not operate the fireplace with the glass door removed, cracked or broken. Replacement of the glass should be done by a licensed or qualified service person.
- Do not strike or slam shut the fireplace glass door.
- Keep the packaging material out of reach of children and dispose of the material in a safe manner. As with all plastic bags, these are not toys and should be kept away from children and infants.

NOTE: Changes, other than editorial, are denoted by a vertical line in the margin.

TP - ELECTRIC WARNING

1.1 WARRANTY

NAPOLEON® electric fireplaces are manufactured under the strict Standard of the world recognized ISO 9001 : 2000 Quality Assurance Certificate.

NAPOLEON® products are designed with superior components and materials, assembled by trained craftsmen who take great pride in their work. Once assembled the complete fireplace is thoroughly inspected by a qualified technician before packing to ensure that you , the customer, receive the quality product that you expect from NAPOLEON®.

NAPOLEON® ELECTRIC FIREPLACE PRESIDENT'S LIFETIME LIMITED WARRANTY

Electrical components and wearable parts such as fan/heater, motors, switches, nylon bearing components and remote controls are covered and NAPOLEON® will provide replacement parts free of charge during the first year of limited warranty.

Light bulbs and fuses are NOT covered by the warranty.

Any labour related to warranty repair is not covered.

* Construction of models vary. Warranty applies only to components included with your specific heater.

CONDITIONS AND LIMITATIONS

NAPOLEON® warrants its products against manufacturing defects to the original purchaser only -- i.e., the individual or legal entity (registered customer) whose name appears on the warranty registration card filed with NAPOLEON® -- provided that the purchase was made through an authorized NAPOLEON® dealer and is subject to the following conditions and limitations:

This factory warranty is non-transferable and may not be extended whatsoever by any of our representatives.

Installation must be done in accordance with the installation instructions included with the product and all local and national building and fire codes.

This limited warranty does not cover damages caused by misuse, lack of maintenance, accident, alterations, abuse or neglect and parts installed from other manufacturers will nullify this warranty.

This limited warranty further does not cover any scratches, dents, corrosion or discoloring caused by excessive heat, abrasive and chemical cleaners nor chipping on porcelain enamel parts, mechanical breakage of PHAZER™ logs.

In the first year only, this warranty extends to the repair or replacement of warranted parts which are defective in material or workmanship provided that the product has been operated in accordance with the operation instructions and under normal conditions.

NAPOLEON® will not be responsible for installation, labour or any other expenses related to the reinstallation of a warranted part and such expenses are not covered by this warranty.

Notwithstanding any provisions contained in the President's Limited Lifetime Warranty, NAPOLEON's responsibility under this warranty is defined as above and it shall not in any event extend to any incidental, consequential or indirect damages.

This warranty defines the obligations and liability of NAPOLEON® with respect to the NAPOLEON® electric fireplace and any other warranties expressed or implied with respect to this product, its components or accessories are excluded.

NAPOLEON® neither assumes, nor authorizes any third party to assume, on its behalf, any other liabilities with respect to the sale of this product.


Any damages to fireplace, brass trim or other component due to water, weather damage, long periods of dampness, condensation, damaging chemicals or cleaners will not be the responsibility of NAPOLEON®.

The bill of sale or copy will be required together with a serial number and a model number when making any warranty claims from your authorized dealer. The warranty registration card must be returned within fourteen days to register the warranty.

NAPOLEON® reserves the right to have its representative inspect any product or part thereof prior to honouring any warranty claim.

ALL SPECIFICATIONS AND DESIGNS ARE SUBJECT TO CHANGE WITHOUT PRIOR NOTICE DUE TO ON-GOING PRODUCT IMPROVEMENTS. NAPOLEON® IS A REGISTERED TRADEMARK OF WOLF STEEL LTD. PATENTS U.S. 5.303.693.801 - CAN. 2.073.411, 2.082.915. © WOLF STEEL LTD.

1.2 GENERAL INSTRUCTIONS

|  WARNING |
|--|
| Read these instructions completely before beginning installation. Failure to follow them could cause a fireplace malfunction resulting in serious injury and/or property damage. |
| All electric fireplaces have hot and arcing or sparking parts inside. Do not use it in areas where gasoline, paint or flammable liquids are present. |
| This electric fireplace is tested and listed for use only with the optional accessories listed in these instructions. Use of optional accessories not specifically tested for this electric fireplace could void the fireplace warranty and/or result in a safety hazard. |
| Risk of electric shock. |
| Do not open. |
| No user-serviceable parts inside. |
| High temperature, risk of fire. Keep electrical cords, drapery, furnishings, and other combustibles at least 3 feet (0.9m) from the front of the fireplace and away from sides and rear. |
| Do not use damaged electrical cords. |
| Servicing should be done only while the fireplace is disconnected from the power supply circuit. |

This electric appliance meets the construction and safety standards of H.U.D. for application in manufactured homes when installed according to these instructions.

- 1.2.1 Prior to plugging your appliance into an electrical outlet, verify that the house circuit breakers for the outlet are on.
- 1.2.2 The appliance may emit a slight, harmless odour when first used. This odour is normal and it is caused by the initial heating of internal appliance elements and will not occur again.
- 1.2.3 If your appliance does not emit heat, consult the operation section of this manual for further information.
- 1.2.4 Use with a CSA or UL certified surge protector.

1.3 PRECAUTIONS

When using electric appliances, basic precautions should always be followed to reduce the risk of fire, electric shock, and injury to persons, including the following:

- 1.3.1 Read all instructions before using this appliance.
- 1.3.2 This appliance is hot when in use. To avoid burns, do not let bare skin touch hot surfaces. If provided, use handles when moving this appliance. Keep combustible materials, such as furniture, pillows, bedding, papers, clothes, and curtains at least 3 feet (0.9 meters) from the front of the appliance and keep them away from the sides and rear.
- 1.3.3 Extreme caution is necessary when this appliance is used by or near children and whenever the appliance is left operating and unattended.
- 1.3.4 Always unplug appliance when not in use.

- 1.3.5 Do not operate this appliance with a damaged cord or plug after the appliance malfunctions, has been dropped or damaged in any manner. Return appliance to authorized service facility for examination, electrical or mechanical adjustment, or repair.
- 1.3.6 Do not use outdoors.
- 1.3.7 This appliance is not intended for use in bathrooms, laundry areas and similar indoor locations. Never locate appliance where it may fall into a bathtub or other water container.
- 1.3.8 To disconnect appliance, turn controls to off, then remove plug from outlet.
- 1.3.9 Connect to properly grounded outlets only.
- 1.3.10 Do not insert or allow foreign objects to enter any ventilation or exhaust opening as this may cause an electric shock or fire, or damage the appliance.
- 1.3.11 To prevent a possible fire, do not block air intakes or exhaust in any manner. Do not use on soft surfaces, like a carpet, where openings may become blocked.
- 1.3.12 Use this appliance only as described in this manual. Any other use not recommended by the manufacturer may cause fire, electric shock, or injury to persons.
- 1.3.13 Avoid the use of an extension cord because the extension cord may overheat and cause a risk of fire. However, if an extension cord must be used, the cord shall be No.14 AWG minimum size and rated not less than 1875 watts.

SAVE THESE INSTRUCTIONS.

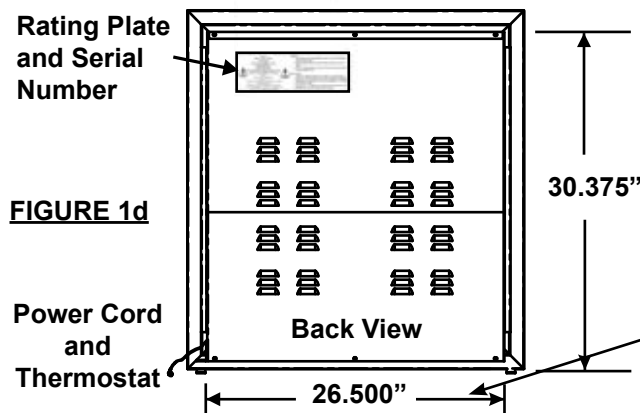
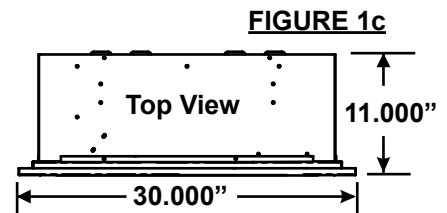
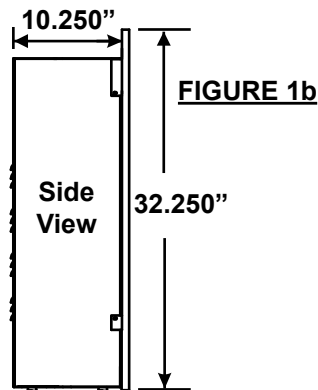
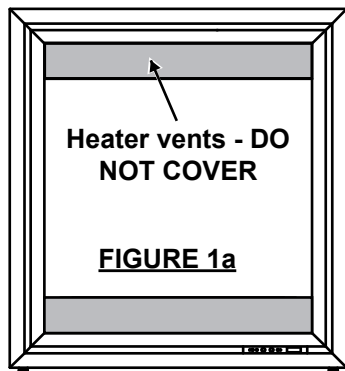
1.4 LISTING APPROVALS

This appliance has been tested in accordance with the CSA Standards for fixed and location-dedicated electric room appliances in the United States and Canada. If you need assistance during installation, please contact your local dealer.

| | |
|------------------|-------------------------|
| Model Number | EF30G |
| Description | Electric Appliance |
| Voltage | 120V AC |
| Watts | MAX 1500W |
| Amps | 15 AMP Grounded Circuit |
| Appliance Width | 30" (762mm) |
| Appliance Height | 32.29" (820mm) |
| Appliance Depth | 11.02" (280mm) |
| Net Weight | 77 lbs (35kgs) |
| Gross Weight | 83.8 lbs (38kgs) |

NOTE: This appliance must be electrically wired and grounded in accordance with local codes or, in the absence of local codes, with National Electric Code ANSI/NFPA 70-latest edition or the Canadian Electric Code, CSA C22.1 as appropriate.

1.5 DIMENSIONS



1.6 LOCATING APPLIANCE

! WARNING

Due to high temperatures, this electric fireplace should be located out of traffic. Keep combustible materials such as furniture, pillows, bedding, papers, clothes and curtains at least 3 feet (0.9m) from the front of the fireplace.

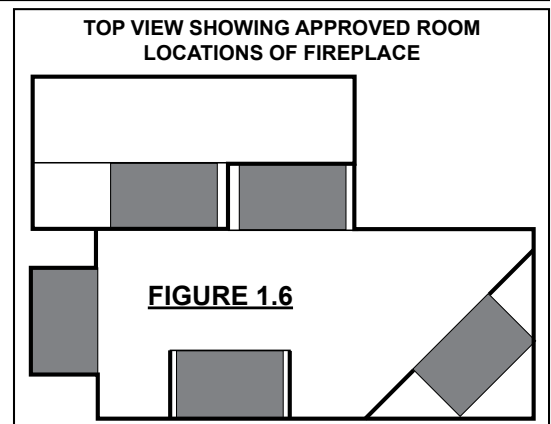
Never locate this electric fireplace where it may fall into a bathtub or other water container.

Wear safety gloves and safety glasses for protection during installation and maintenance.

To prevent contact with sagging or loose insulation, the electric fireplace must not be installed against vapor barrier or exposed insulation. Localized overheating could occur and a fire could result.

Minimum clearance of 1" on all sides, back and top must be maintained at all times. Illustrations throughout these instructions reflect typical installations and are for design purposes only. Actual installations may vary slightly due to individual preferences.

Figure 1.6 illustrates a variety of ways the appliance may be located in a room. The appliance may be installed directly on the floor (uncarpeted), or raised on a hearth.



1.7 UNPACKING AND TESTING APPLIANCE

Carefully remove the appliance from the box. Prior to installing the appliance, test to make sure the appliance operates properly by plugging the power supply cord into a conveniently located 120 Volt grounded outlet.

3.0 ELECTRICAL REQUIREMENTS

3.1 GROUNDING APPLIANCE

This appliance is for use on 120 Volts. The cord has a plug as shown in (A) of Figure 1 given below. An adapter as shown in (C) is available for connecting three-blade grounding type plugs to two-slot receptacles. The green grounding lug extending from the adapter must be connected to a permanent ground such as a properly grounded outlet box. The adapter should not be used if a three-slot grounded receptacle is available.

To disconnect appliance, turn controls to off, then remove plug from outlet.

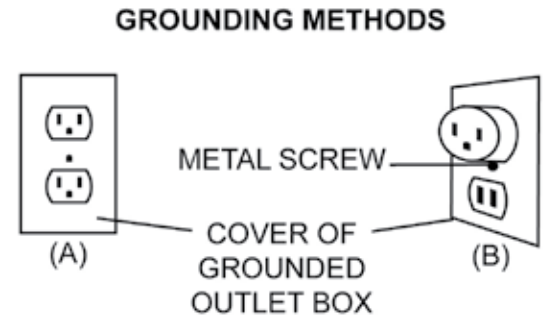
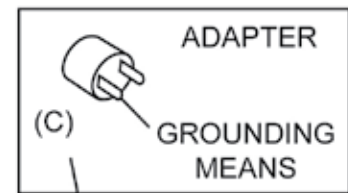


FIGURE 3.1



GROUNDING PIN



NOT ALLOWED IN CANADA

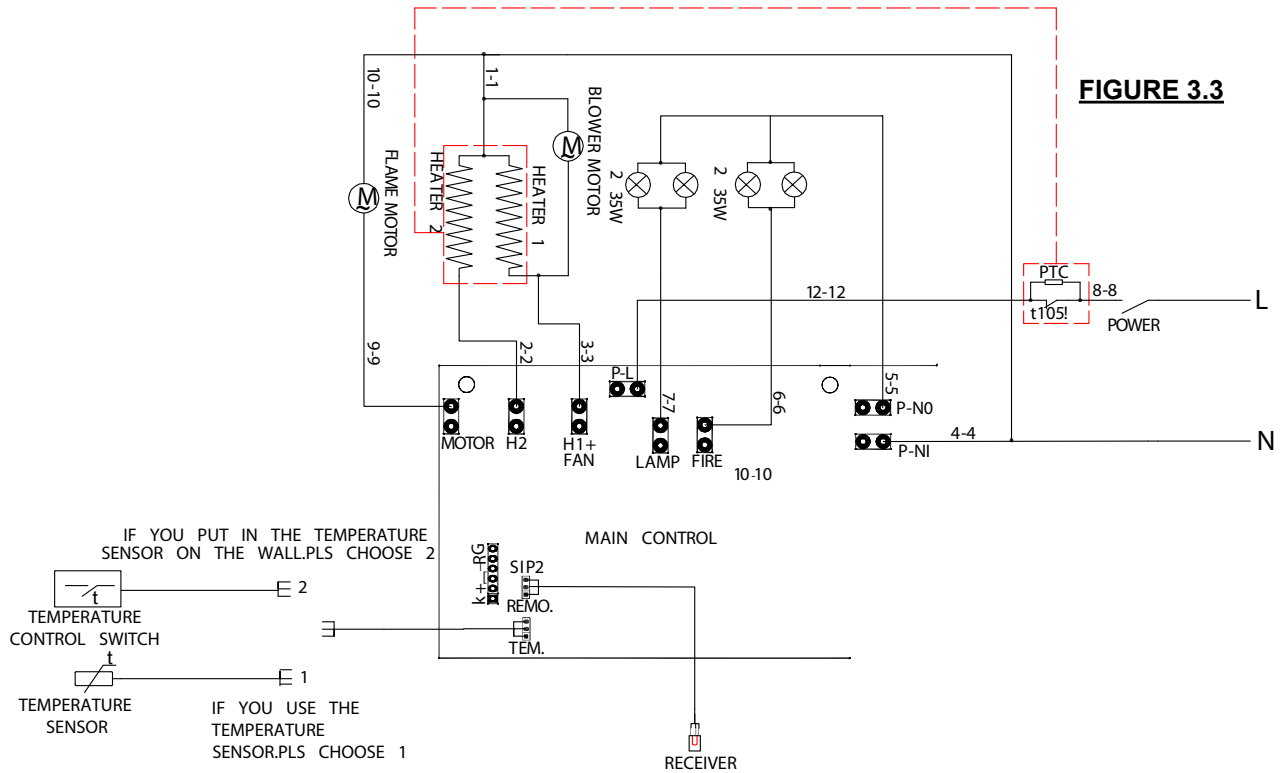
3.3 HARDWIRE INSTALLATION



WARNING

Ensure all power is turned off before hard wiring this fireplace.

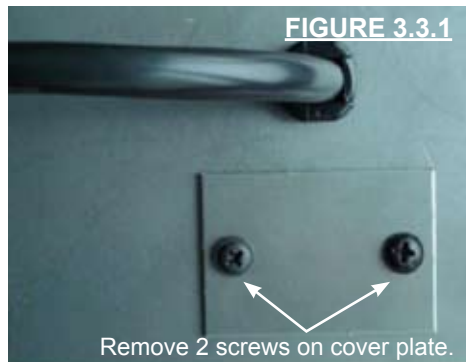
ELECTRIC DIAGRAM



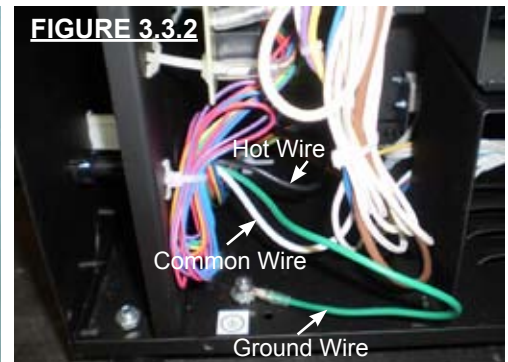
If it is necessary to hard wire this appliance, a qualified electrician may remove the cord connection, and wire the appliance directly to the house hold wiring.

This appliance must be electrically connected and grounded in accordance with local codes, if hard wired. In the absence of local codes, use the current CSA C22.1 CANADIAN ELECTRICAL CODE in Canada or the ANSI/NFPA 70-1996 NATIONAL ELECTRICAL CODE in the United States.

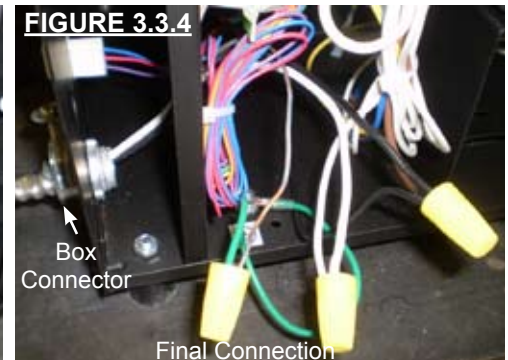
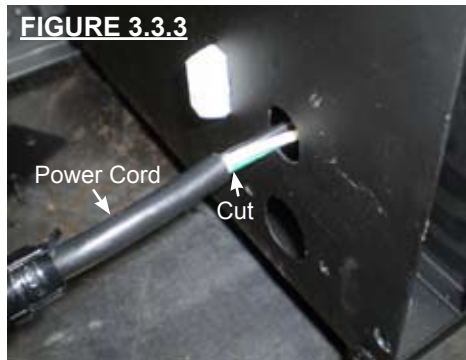
- 3.3.1** Remove cover plate located beside the power cord to reveal the 7/8" wire hole. Discard cover plate, screws and insert a box connector into the hole.



- 3.3.2** Remove the lower back panel from the appliance to expose wiring.




- 3.3.3** Remove the power cord strain-relief from the side of the appliance and cut the cord where shown below. This will be the hardwire connection point.



- 3.3.4** Feed the supply wires through the box connector and the grommet.
- 3.3.5** Using wire connectors connect the common (white) wires together, then the hot (black) wires, and then the ground (green) wires.
- 3.3.6** Ensure the newly connected wires are kept away from the rotating parts and the circuit board, and re-install the back panel.

NOTE: This appliance must be serviced from the back, leave enough wire so that the appliance can be removed from the enclosure without disconnecting the power supply wires.

3.0 INSTALLATION

|  WARNING | |
|--|--|
| RISK OF FIRE! The power cord must not be pinched against a sharp edge. Secure cord to avoid tripping or snagging to reduce the risk of fire, electric shock or personal injury. Do not run cord under carpeting. Do not cover cord with throw rugs, runners or the like. Arrange cord away from traffic areas and where it will not be tripped over. | |
| RISK OF FIRE! To prevent a possible fire, do not block air intake or exhaust in any manner. Do not use on soft surfaces where openings may become blocked. | |
| RISK OF FIRE! Do not blow or place insulation against the fireplace. | |
| This electric fireplace is tested and listed for use only with the approved optional accessories. Use of optional accessories not specifically tested for this electric fireplace could void the warranty and/or result in a safety hazard. | |
| If the information in these instructions is not followed exactly, a fire or explosion may result causing property damage, personal injury or death. Do not store or use gasoline or other flammable vapors in the vicinity of this or any other fireplace. | |
| This appliance must remain removable from the enclosure. The appliance may be hardwired, but it is recommended that it be plugged into a standard outlet using the supplied power cord. This appliance must not be sealed around the front facing. | |
| Fireplace vents located on the front and back of this electric fireplace cannot, in any way, be covered as it may create a fire hazard. | |

BEFORE INSTALLATION

Select a suitable location that is not susceptible to moisture and is away from drapes, furniture and high traffic areas. **NOTE:** Follow all national and local electrical codes. This appliance can be installed into either an existing appliance opening or as new construction / renovation.

EXISTING APPLIANCE INSTALLATION

Thoroughly clean out the existing appliance and hearth area. Plan the power supply. If an existing grounded outlet is near the appliance, the power cord can run behind the appliance. If the cord is not long enough to reach the outlet, a grounded extension cord minimum AWG No. 14 and rated to a minimum of 1875 watts may be used. If you plan to cut or drill a hole in the existing appliance for wiring, it is best to hire a professional to do this step in order to prevent personal injury.

3.1 MINIMUM CLEARANCE TO COMBUSTIBLES

| | |
|---------------------|----|
| Sides, back and top | 1" |
|---------------------|----|

3.2 NEW CONSTRUCTION OR RENOVATION

- 3.2.1 Select a location that is not prone to moisture and is located at least 0.9 m or 3 feet away from combustible materials such as curtains or drapes, furniture, bedding, paper, etc.
- 3.2.2 Place the appliance in selected location to see how it will look in the future.
- 3.2.3 Mark the desired location on the floor and store appliance in a safe, dry and dust free location.
- 3.2.4 Frame in an opening leaving at least 1/4" (6 mm) around the edge of the appliance. Any new wiring must be done in compliance with local and national codes and other applicable regulations in order to reduce the risk of fire, electric shock or other injuries. Therefore, it is strongly recommended that you hire a professional to complete any such work.

3.3 INSTALLING THE APPLIANCE

- 3.3.1 Once the site has been prepared, the appliance can be installed.
- 3.3.2 Make sure the main power switch is in the "OFF" position.
- 3.3.3 Plug the appliance into a 15-amp/120 Volt, grounded outlet. Use a CSA or UL approved surge protector.
- 3.3.4 Push in the appliance so that the trim is against the finished mantel or wall surface.

3.4 GLASS EMBER INSTALLATION

! WARNING

Glass front must be removed and the fireplaces must be installed in it's final location before the glass embers are installed.

Glass embers may have sharp edges, wear safety glasses and gloves when handling.

- 3.4.1 To remove the glass front, remove the two bottom screws as illustrated below.
- 3.4.2 Lift the front up and pull forward and off. Set the front in a location where it will not be knocked over or damaged.
- 3.4.3 Carefully distribute the glass embers into the bottom tray on the front of the appliance as illustrated.
- 3.4.4 Re-install the glass front using the two securing screws.



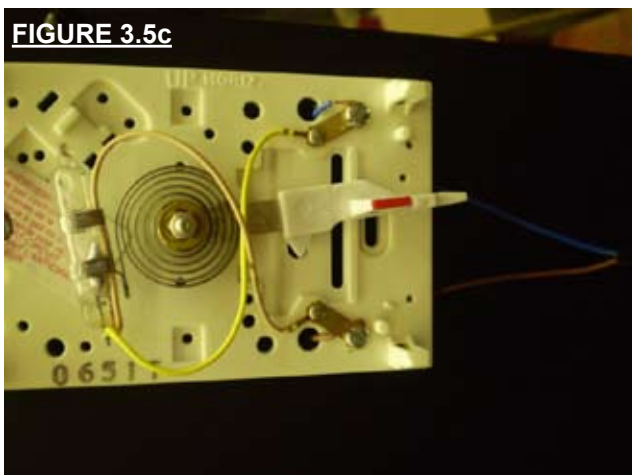
3.5 THERMOSTAT AND THERMAL SENSOR INSTALLATION

This appliance has two options for heat control.

First is a thermal controlled sensor, which comes plugged into the appliance beside the main power cord. This sensor has no user temperature set points, it will turn off the heater when the sensor reaches its pre-set point, and will only turn the heater back on when it has cooled back down below this set point. On the low setting (green light) the set point is 16°C/61°F, on medium (orange light) 22°C/72°F and on high (red light) 28°C/82°F. This small sensor can be placed anywhere in the room within the length of the sensor wire, but it should not be placed near the top or front of the appliance. Placing the sensor too close to the heater area of the appliance will cause unwanted cycling of the heater.

Second is the option of a wall-mounted thermostat. Napoleon Part # W690-0001, W660-0081, or an equivalent low voltage thermostat.

A wall thermostat can be used in place of the thermal control sensor. You must first remove the sensor by unplugging it from the right side of the appliance beside the main power cord. Replace the sensor with the wire harness provided in the manual baggie. Plug it into the appliance and connect the other end to the thermostat. The thermostat should be placed as per the thermostat installation instructions.



4.0 FRAMING

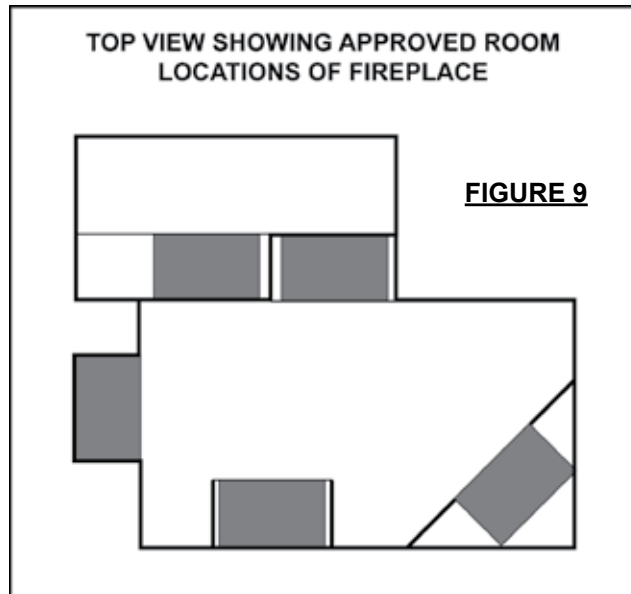
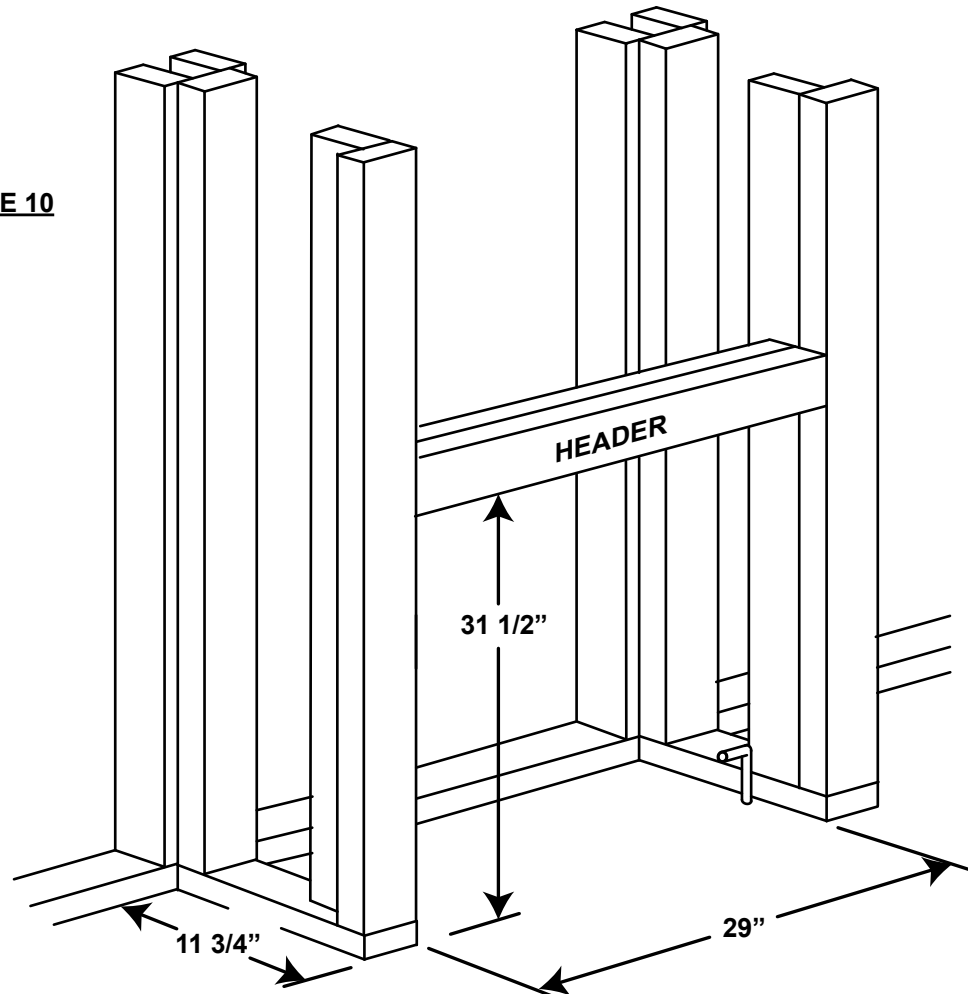


FIGURE 10



NOTE: In order to avoid the possibility of exposed insulation or vapour barrier coming in contact with the appliance body, it is recommended that the walls of the appliance enclosure be "finished" (ie: dry-wall/sheetrock), as you would finish any other outside wall of a home. This will ensure that clearance to combustibles is maintained within the cavity.

4.1 HEARTH

A hearth is NOT necessary but is recommended for aesthetic purposes.

4.2 COLD CLIMATE INSTALLATION

! WARNING

It is MANDATORY to have an insulated wall behind the fireplace, when the fireplace is being installed on an outside wall or chase.

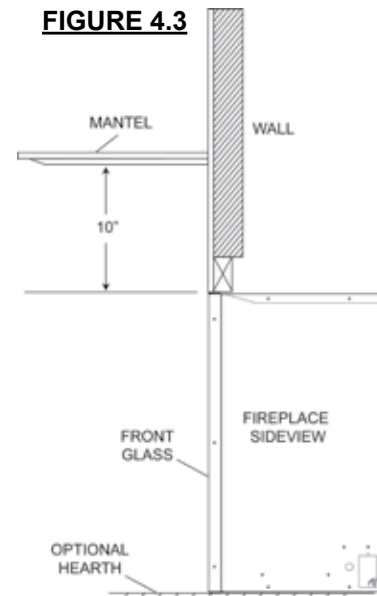
4.3 MINIMUM MANTEL CLEARANCES

! WARNING

Risk of fire, maintain all specified air space clearances to combustibles. Failure to comply with these instructions may cause a fire or cause the appliance to overheat. Ensure all clearances (i.e. back, side, top, vent, hearth, mantel, front, etc.) are clearly maintained.

When using paint or lacquer to finish the mantel, the paint or lacquer must be heat resistant to prevent discolouration.

The minimum distance from the top of the appliance that the mantel can be installed is 10", at any depth.



4.4 FINISHING CHECKLIST

4.4.1 Power supply service must be completed prior to finishing to avoid reconstruction.

4.4.2 Appliance vents and air openings cannot be covered in any circumstances.

5.0 OPERATING INSTRUCTIONS

The controls are located on the bottom right corner of the appliance.

5.0.1 Plug in your electric appliance.

5.0.2 Main ON/OFF Power Switch and LED:

- This switch is located on the right side of the control panel. The "I" indicates ON and "O" indicates OFF.

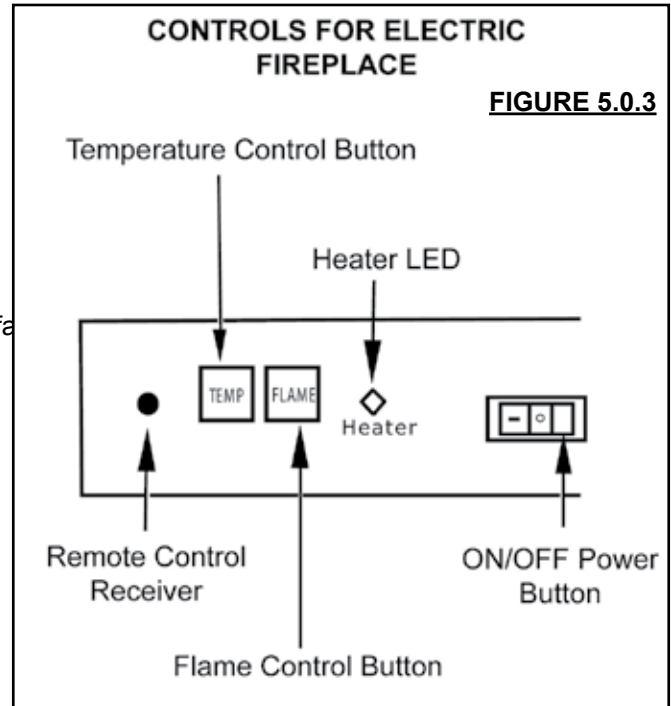
- When the appliance is first turned on, the default settings are as follows:
- Ember bed: HIGH
- Flame: HIGH
- Appliance: OFF

5.0.3 Temperature Control Button and LED:











The Appliance LED is located to the right of the FLAME Button. Push the TEMP button to cycle through different appliance settings. Press and release the TEMP button to cycle through LO, MED, HI and OFF. Each time the TEMP button is pushed, the Appliance LED will change to its corresponding color: Green for LO, Orange for MED, Red for HI, and blank for OFF. When the appliance is turned on, heat will emit through the vents located in the middle of the top louvre panel. The appliance has a built-in thermostat so it will shut off automatically once the pre-set temperature is reached. It will also turn on automatically if the room temperature drops below the pre-set temperature. **NOTE: When the appliance is turned on for the first time, it may release a slight, harmless odour. This odour is a normal occurrence caused by the initial heating of the internal heating elements and should not occur again.**

5.0.3 Flame Control Button:

This button is located to the right of the TEMP Button. After power is turned on, push the FLAME control button to adjust the flame and ember bed brightness. Press and release the Flame Control Button to cycle through LO, MED, HI and OFF.



5.1 REMOTE CONTROL

- 5.1.1** Plug in your electric appliance.
- 5.1.2** Make sure the appliance's main Power ON/OFF button is at the ON position!
The remote control will NOT work if the main Power button is at the OFF position.
- 5.1.3** When operating the remote control, it must be directed towards the front of the appliance.
- 5.1.4** The button at the top left corner of the remote is the main ON/OFF  power button. Pressing this button activates the power to the appliance.
- 5.1.5** To adjust the ember bed brightness, press the  "+" or "-" buttons. To increase the ember bed brightness, press the  "+" button, to decrease the ember bed brightness, press the  "-" button. There are seven levels of brightness.
- 5.1.6** To activate the appliance, press  the button. Press  and release the button to cycle through LO, MED, HI and OFF. Each time the button  is pushed, the Appliance LED will change to its corresponding colour: Green for LO, Orange for MED, Red for HI, and blank for OFF. The appliance has a built-in thermostat so it will shut off automatically once the pre-set temperature is reached. It will also turn on automatically if the room temperature drops below the pre-set temperature.
- 5.1.6** To adjust the height of the flame, press the "+" or "-" buttons. To increase the height of the flame, press the  "+" button, to decrease the height of the flame, press the  "-" button. There are seven levels of flame effects.
- 5.1.7** To turn off the appliance, press the ON/OFF  button once.

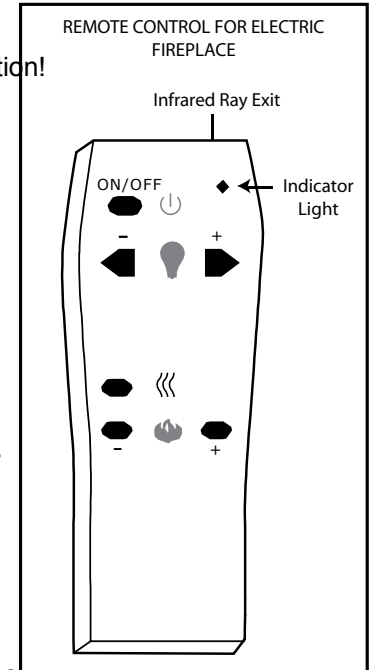


FIGURE 5.1

NOTE: This remote control must remain within 8 meters or 26 feet of the appliance to be effective. Make sure your batteries are fully charged and installed correctly in your remote control.

6.0 MAINTENANCE

! WARNING

Always disconnect the power and allow the electric fireplace to cool before performing any cleaning, maintenance or relocation of this electric fireplace. Turn controls to OFF and remove plug from outlet or turn off the house circuit breaker to electric fireplace receptacle.

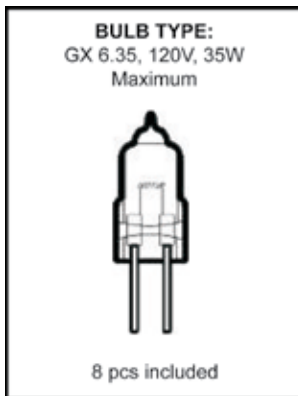
Do not install replacement bulbs that exceed specified maximum watts.

The halogen light bulbs in your unit can become extremely hot. Allow at least 10 minutes between turning off the fireplace and removing the light bulbs to avoid accidental burns. Do not handle the lamp (bulbs) with bare fingers, oils from your skin will damage the bulbs when they heat up. Use gloves or a clean dry cloth when handling bulbs.

Most halogen light bulbs are rated to last approximately 1800 hours. Like all light bulbs, halogen bulbs require periodic replacement. When the bulbs in your appliance have burned out you will notice one or more of following:

COMMON OBSERVED PROBLEMS:

- There is no flame
- Flame or Ember bed is dim or dark in certain areas
- Flame is not moving or glowing



Your appliance must be opened in order to replace the light bulbs. To reduce the number of times you need to open the appliance, replace all bulbs at the same time if they are close to the end of their rated life.

There are a total of 8 halogen light bulbs (Type GX6.35, rated 120Volts, 35Watts) in your appliance:

- 2 bulbs provide illumination for the ember bed
- 2 bulbs provide illumination for flame generation
- 4 extra bulbs for replacement

FIGURE 6.0

6.1 FLAME GENERATION BULB REPLACEMENT

6.1.1 Remove the 7 screws from the bottom half of the back of appliance as illustrated. Remove back plate.

6.1.2a Locate the flame generation cylinder drum. It is constructed of two removable halves. They are two (2) matte black sheet metal pieces with holes in them, either of which can be removed from the appliance.

6.1.2b Remove the screw as illustrated that are used to secure the flame generation cylinder drum.

6.1.2c Squeeze half of drum cylinder until its top edge clears the top drum track. Remove the bottom edge of the cylinder drum from the bottom drum track. This will give you access to the light bulbs. **NOTE: Do not exert excessive pressures on the drum cylinder as this may cause damage.**

FIGURE 6.1.1

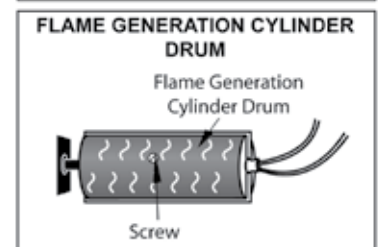
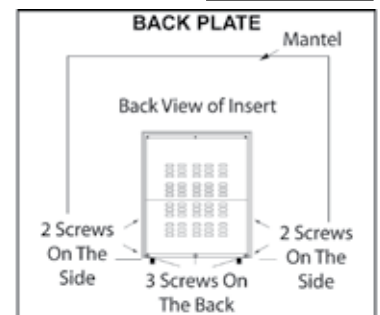
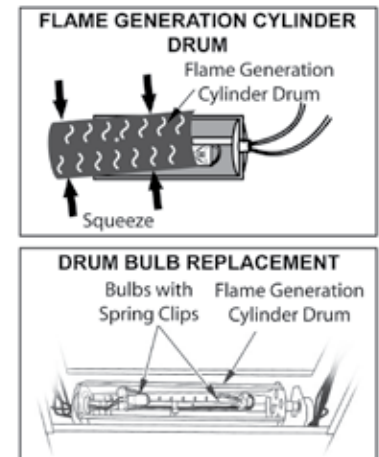


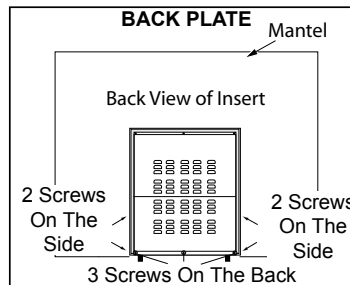
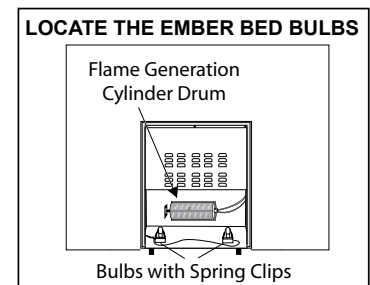
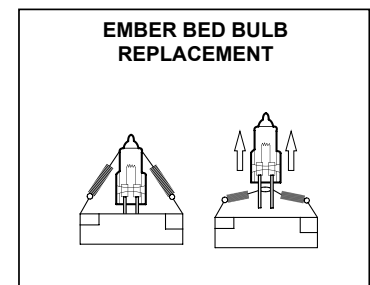
FIGURE 6.1.2

- 6.1.3 Remove spring clip. Hold socket and pull out old bulb.
- 6.1.4 Hold socket and push in new bulb (DO NOT exceed wattage). Replace spring clip.
- 6.1.5 Repeat steps 3 and 4 for the second bulb.
- 6.1.6 Insert bottom edge of removed cylinder half into bottom drum track. Gently squeeze drum cylinder until its top edge fit into top drum rack. Reattach the screw that was previously removed.
- 6.1.7 Secure the backplate to the main appliance by reattaching the 7 screws removed.

FIGURE 6.1.2**FIGURE 6.1.6**

6.2 EMBER BED BULB REPLACEMENT

- 6.2.1 Remove the 7 screws from the bottom half of the back of appliance as illustrated. Remove back plate.
- 6.2.2 Locate the ember bed bulbs which are underneath the flame generation cylinder drum.
- 6.2.3 Remove spring clip. Hold socket and pull out old bulb.
- 6.2.4 Hold socket and push in new bulb (DO NOT exceed wattage or handle with bare hands).
- 6.2.5 Repeat steps 3 and 4 for the second bulb.
- 6.2.6 Secure the back plate to the main appliance by reattaching the 7 screws that were previously removed.

**FIGURE 6.2.1****FIGURE 6.2.2****FIGURE 6.2.4**

6.3 CLEANING

- 6.3.1 The glass is cleaned in the factory during assembly. During shipment, installation, handling, etc. the glass surface may collect dust particles. These can be removed by buffing lightly with a clean dry cloth.
- 6.3.2 To remove fingerprints or other marks, the glass can be cleaned with a damp cloth using a good quality household glass cleaner. The glass should be completely dried with a lint free cloth or paper towel.
- 6.3.3 In the event of glass breakage, vacuum all remaining glass pieces with a shop vac. DO NOT VACUUM WHILE PIECES ARE HOT. Replace glass only with replacement part specifically for this appliance. Never substitute material. Only fully tempered safety glass may be used on this appliance.

7.0 REPLACEMENTS

Contact your dealer or the factory for questions concerning prices and policies on replacement parts. Normally all parts can be ordered through your Authorized dealer / distributor.

FOR WARRANTY REPLACEMENT PARTS, A PHOTOCOPY OF THE ORIGINAL INVOICE WILL BE REQUIRED TO HONOUR THE CLAIM.

When ordering replacement parts always give the following information:

- Model & Serial Number of appliance
- Installation date of appliance
- Part number
- Description of part
- Finish

*** IDENTIFIES ITEMS WHICH ARE NOT ILLUSTRATED. FOR FURTHER INFORMATION, CONTACT YOUR AUTHORIZED DEALER.**

For aftermarket sales and service please call 1-866-592-6667

WARNING

Failure to position the parts in accordance with this manual or failure to use only parts specifically approved with this appliance may result in property damage or personal injury.

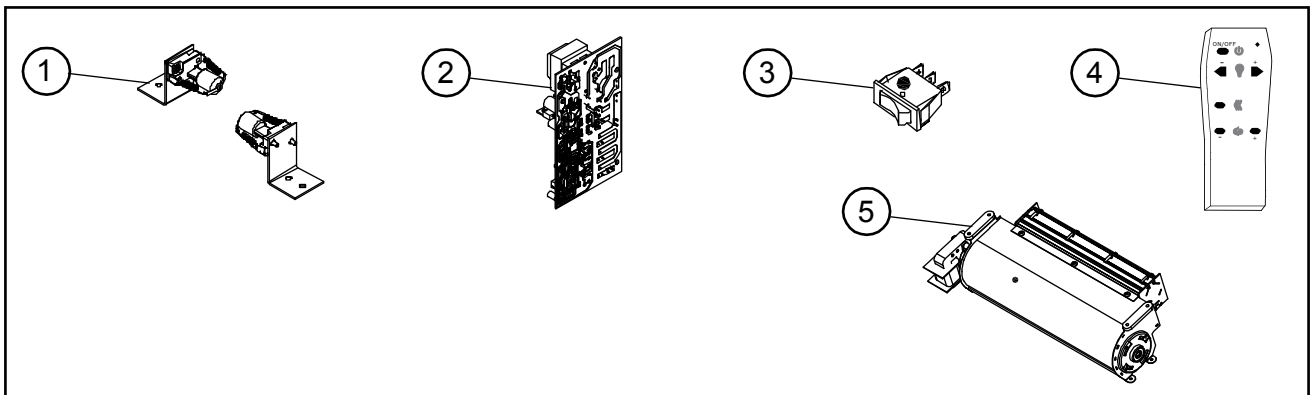
COMPONENTS

| REF NO. | EF30S | DESCRIPTION |
|---------|-------------------|-----------------------------|
| 1 | DQ017-002 | LIGHT BULBS |
| 2 | DQ002-006 | CIRCUIT BOARDS |
| 3 | DQ006-003 | SWITCHES |
| 4 | R-19 | REMOTE CONTROL |
| 5 | Q/T FRT01-000-00B | HEATER (HEATER WITH BLOWER) |
| 6 | W300-0117 | REPLACEMENT GLASS EMBERS |

ACCESSORIES

| REF NO. | EF30S | DESCRIPTION |
|---------|-----------|----------------------|
| 1* | W660-0081 | DIGITAL THERMOSTAT |
| 2* | W690-0001 | MILLIVOLT THERMOSTAT |

NOTE: Care must be taken when removing and disposing of any broken glass or damaged components. Be sure to vacuum up any broken glass from inside the appliance before operation.



8.0 TROUBLESHOOTING

WARNING

Turn off the fireplace completely and let cool before servicing. Only a qualified service person should service and repair this electric fireplace.

| SYMPTOM | PROBLEM | TEST SOLUTION |
|--|---|--|
| Dim or no flame. | Bulb(s) are burnt out. | - Inspect the bulbs inside the flame generation cylinder drum and replace them if necessary. |
| Ember bed is not glowing or dimming. | Bulb(s) are burnt out. | - Inspect the ember bed bulbs and replace them if necessary. |
| Fireplace turns off and will not turn on. | Fireplace has overheated and safety device has caused the thermal switch to disconnect. | - Unplug the unit, allow fireplace to cool for 10 minutes, then plug it back in. |
| | House circuit breaker has tripped. | - Reset house circuit breaker. |
| Fireplace will not come on when switch is flipped to ON. | Fireplace is not plugged into an electrical outlet. | - Check plug and plug it in. |
| | Fireplace has overheated and safety device has caused the thermal switch to disconnect. | - Unplug the unit, allow fireplace to cool for 10 minutes, then plug it back in. |
| Remote control does not work. | Low batteries. | - Replace AA batteries in remote transmitter. |
| No warm air is coming out of the fireplace. | Room temperature is higher than the fireplace setting (if it is set to LO or MED). | - Set fireplace to a higher temperature setting (MED or HI). |

Free Manuals Download Website

<http://myh66.com>

<http://usermanuals.us>

<http://www.somanuals.com>

<http://www.4manuals.cc>

<http://www.manual-lib.com>

<http://www.404manual.com>

<http://www.luxmanual.com>

<http://aubethermostatmanual.com>

Golf course search by state

<http://golfingnear.com>

Email search by domain

<http://emailbydomain.com>

Auto manuals search

<http://auto.somanuals.com>

TV manuals search

<http://tv.somanuals.com>