

1/4-TON CAPACITY HYDRAULIC LIFT TABLE

94822 Hydraulic Lift Table

INSTRUCTIONS AND PRECAUTIONS



Visit our website at:
<http://www.harborfreight.com>

⚠ WARNING

Read this material before using this product. Failure to do so can result in serious injury. SAVE THIS MANUAL.

When unpacking, make sure that the product is intact and undamaged. If any parts are missing or broken, please call 1-800-444-3353 as soon as possible.

Copyright© 2010 by Harbor Freight Tools®. All rights reserved. No portion of this document or any artwork contained herein may be reproduced in any shape or form without the express written consent of Harbor Freight Tools. Diagrams within this document may not be drawn proportionally. Due to continuing improvements, actual product may differ slightly from the product described herein. Tools required for assembly and service may not be included.

For technical questions or replacement parts, please call 1-800-444-3353.

Specifications

Capacity:	500 Lbs. Maximum
Maximum Table Height:	27-1/4"
Minimum Table Height:	9"
Table Size:	27-3/4" x 17-5/8"
Construction:	Steel Construction
Table Length:	27- 3/4"
Weight:	95.7 lbs.

Unpacking

Note: When unpacking, use assistance when lifting the Hydraulic Lift Table from the box. Or set the packaging box sideways and slide the Lift Table out from the box sideways.

Caution: When lifting Hydraulic Lift Table from packaging box, be sure to grip the main frame. Do not just grip the Table. Doing so will only raise up the Table and keep the unit's frame in the packaging box.

Important Safety Information

1. Do not exceed 1/4 ton (500 lb.) max weight capacity. Be aware of dynamic loading! Sudden load movement may briefly create excess load causing product failure.
2. Use only on flat, level and hard surface capable of supporting the Lift Table and any item(s) placed on Table. Evenly distribute load on Table to avoid tipping.
3. Use as intended only. Do not use Lift Table to lift or transport animals, pets, or people.
4. Assemble only according to these instructions. Improper assembly can create hazards.
5. Follow all hydraulic bleeding instructions specified in this manual.
6. Wear ANSI-approved safety goggles and heavy-duty work gloves during assembly and use.
7. Keep assembly area clean and well lit.
8. Keep bystanders out of the area during assembly.
9. Do not assemble when tired or when under the influence of drugs or medication.
10. This product is not a toy. Do not allow children to play with or near this item.
11. Use as intended only.
12. Inspect before every use; do not use if parts are loose or damaged.
13. Maintain product labels and nameplates. These carry important safety information. If unreadable or missing, contact Harbor Freight Tools for a replacement.

Assembly Instructions



Read the **ENTIRE IMPORTANT SAFETY INFORMATION** section at the beginning of this document including all text under subheadings therein before set up or use of this product.

The Hydraulic Lift Table requires some assembly after you unpack it.

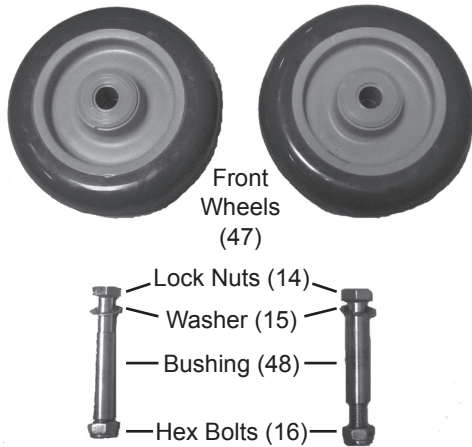


Figure 1

1. First, set aside the hardware needed to install the Front Wheels (47). The hardware includes the Hex Bolts (16), Lock Nuts (14), Washers (15), and Bushings (48).

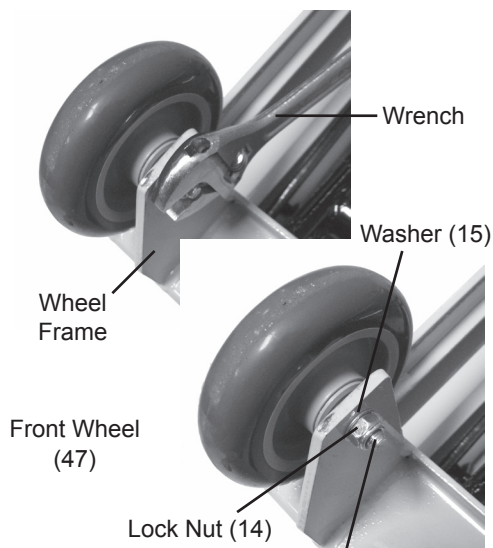


Figure 2

2. Turn Lift Table on its side. Slide Bushing through center hole in the Front Wheel. Then set Front Wheel in the wheel frame of the Base Assembly (17). Slide the Hex Bolt through the Washer, wheel frame and Bushing. Use a wrench (sold separately) to fasten Lock Nut onto Hex Bolts, until the Front Wheel is secured into place.

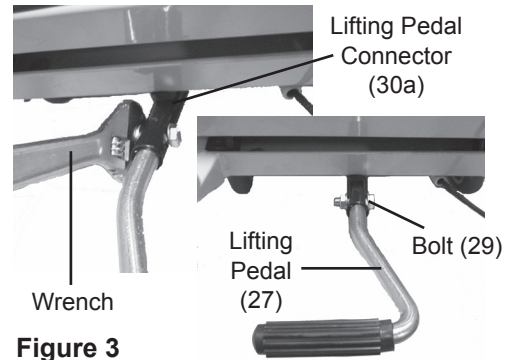


Figure 3

3. Slide Lifting Pedal (27) into Pedal Connector (30a), aligning the installation holes. Then slide the Bolt (29) through the Washer (15) and through the installation holes. Use the wrench to fasten the Lock Nut (12) over the Bolt, securing Lifting Pedal in place. See Figure 3.

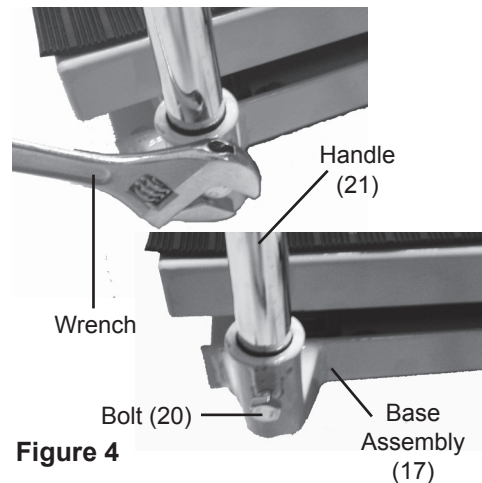


Figure 4

4. Slide the ends of the Handle (21) into the handle slots on the Base Assembly (17). Use the wrench to tighten the Bolts (20) until Handle is securely fastened in place. See Figure 4.
5. **WARNING!** After assembly, try out the Lift Table to make sure it is functioning properly before using it to lift a load.

Operating Instructions

1. Before loading and while stationary, lock the back Casters (19) to prevent the Lift Table from moving.
2. The Table (1) is raised by pumping the Lifting Pedal (27) with your foot until the desired height is achieved.
3. Once desired height is reached, swing down the Safety Bars (7) on either side of the Lift Frame. This will prevent any kind of uncontrolled Table drop.
4. To lower the Table, Squeeze the Release Handle (22) at the top of the main Handle.

Note: Be sure to lift Safety Bars up, allowing the Table to be completely lowered (if needed).

Maintenance

1. Lubricate hydraulic connections monthly with a good quality grease.
2. Check for the free movement and wear of the wheels. Replace if needed.
3. Check the Caster brakes regularly. They should lock firmly and release completely.
4. If you encounter difficulty using the Release Handle to lower the Table, the Control Cable (49) may need adjusting.

WARNING! Make sure the Release Handle is pressed only halfway down during adjustment. This will allow the Table to lower slowly for safety purposes.

- a. With assistance, tip over Lift Table.

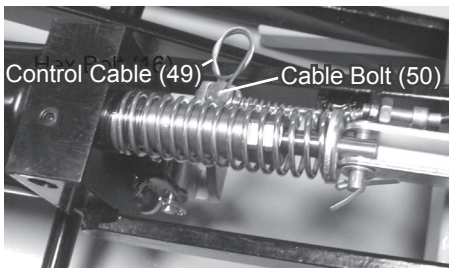


Figure 5

- b. Loosen the Cable Bolt (50) and Cable Nut (51) and tug the Control Cable until it is tight. **WARNING!** Do not pull too tight; you want to leave a small amount of give. See Figure 5.
 - c. Re-fasten the Nut and Bolt. Then test the Release Handle, making sure the Release Handle is pressed halfway down.
5. Check for oil leakage from the hydraulic cylinder. The hydraulic cylinder is not user serviceable.

WARNING! Any service or repairs to the Hydraulic Lift Table should be performed by a qualified service technician. Improper repairs or service could result in equipment failure or personal injury.

Bleeding Instructions

If the Lift Table is not performing properly, it may be due to air in the hydraulic system. Follow these steps to bleed air from the system.

1. Raise the Table to its highest position.
2. Swing down the two Safety Bars so that they both rest on the top platform of the Base Assembly.
3. Remove the rubber Oil Plug (J04). You can carefully remove it with a large flat head screwdriver.
4. After the Oil Plug is removed, swing the two Safety Bars back against their stops.
5. Squeeze the Release Handle to lower the Table. This should purge the air out of the hydraulic system.
6. Raise the Table to its highest position and swing both the Safety Bars down onto the Base Assembly (17).
7. Top off hydraulic fluid into the oil hole where the Oil Plug goes until it is full. **Note: Make sure you use new oil.**
8. Replace the Oil Plug by firmly pressing it in while twisting it.

Lift Table Parts List

Part	Description	Qty
1	Toptable	1
2	Lift Frame	1
3	Shaft	2
4	Retaining Ring	8
5	Pin (1)	2
6	Bolt	2
7	Safety Bar	2
8	Nut	2
9	Pin	2
10	Pin (2)	1
11	Pin (3)	2
12	Nut M8	12
13	Lock Washer	8
14	Lock Nut	2
15	Washer	14
16	Hex Bolt M8 x 60	2
17	Base Ass'y	1
18	Bolt M8 x 16	8

Part	Description	Qty
19	Caster Ass'y	2
20	Bolt M8 x 30	2
21	Handle	1
22	Brake Handle	1
23	Bolt M8 x 25	2
24	Pin	1
25	Bolt Sleeve	1
26	Brake Thread	1
27	Lifting Pedal	1
28	Bumper	1
29	Bolt	1
30a	Lifting Pedal Connector	1
31	Pin (4)	1
33a	Connecting Plate	1
34a	Cotter	2
35	Pin (5)	1
36	Pin (6)	1
37	Retaining Ring	2

Part	Description	Qty
38	Spring Cap	1
39	Spring	1
40	Spring	1
41	Bolt	1
42a	Release Valve Link	1
44	R-pin	1
45	Pin (7)	1
46a	Pump	1
47	Front Wheel	2
48	Wheel Bushing (not shown)	2
49	Control Cable (not shown)	1
50	Cable Bolt (not shown)	1
51	Cable Nut (not shown)	1
52	Washer	1
53	Retaining Ring	1

Record Serial Number Here:

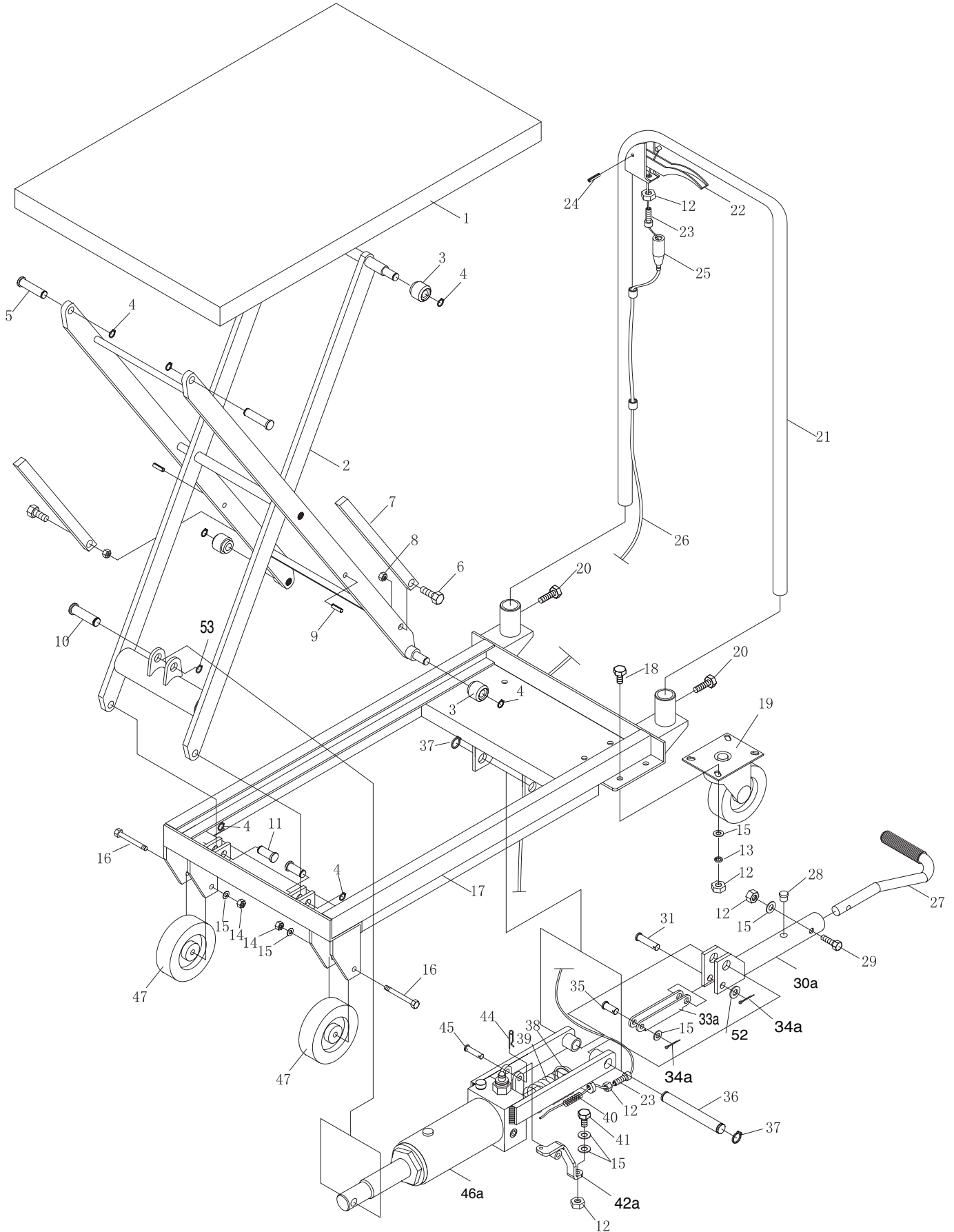
Note: If product has no serial number, record month and year of purchase instead.

Note: Some parts are listed and shown for illustration purposes only, and are not available individually as replacement parts.

PLEASE READ THE FOLLOWING CAREFULLY

THE MANUFACTURER AND/OR DISTRIBUTOR HAS PROVIDED THE PARTS LIST AND ASSEMBLY DIAGRAM IN THIS DOCUMENT AS A REFERENCE TOOL ONLY. NEITHER THE MANUFACTURER OR DISTRIBUTOR MAKES ANY REPRESENTATION OR WARRANTY OF ANY KIND TO THE BUYER THAT HE OR SHE IS QUALIFIED TO MAKE ANY REPAIRS TO THE PRODUCT, OR THAT HE OR SHE IS QUALIFIED TO REPLACE ANY PARTS OF THE PRODUCT. IN FACT, THE MANUFACTURER AND/OR DISTRIBUTOR EXPRESSLY STATES THAT ALL REPAIRS AND PARTS REPLACEMENTS SHOULD BE UNDERTAKEN BY CERTIFIED AND LICENSED TECHNICIANS, AND NOT BY THE BUYER. THE BUYER ASSUMES ALL RISK AND LIABILITY ARISING OUT OF HIS OR HER REPAIRS TO THE ORIGINAL PRODUCT OR REPLACEMENT PARTS THERETO, OR ARISING OUT OF HIS OR HER INSTALLATION OF REPLACEMENT PARTS THERETO.

Lift Table Assembly Diagram

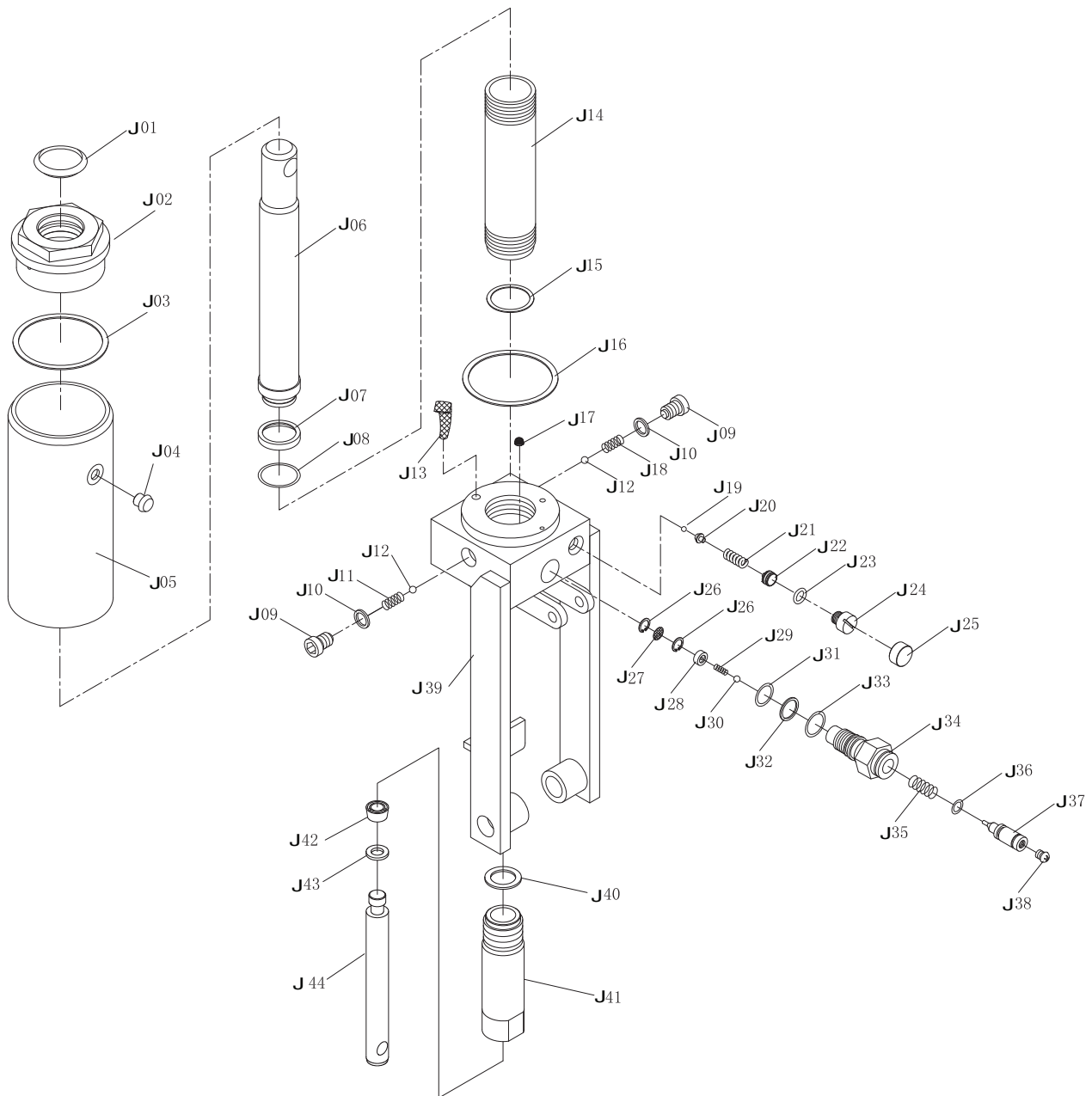


Pump Parts List and Diagram

Part	Description	Qty
J01	O-ring	1
J02	Top Nut	1
J03	Nylon Ring	1
J04	Oil Plug	1
J05	Reservoir	1
J06	Ram	1
J07	Cup Seal	1
J08	O-ring	1
J09	Screw	2
J10	Packing Washer	2
J11	Spring	1
J12	Ball	2
J13	Oil Filter	1
J14	Cylinder	1
J15	Washer	1

Part	Description	Qty
J16	Nylon Ring	1
J17	Oil Filter	1
J18	Spring	1
J19	Ball	1
J20	Ball Cup	1
J21	Spring	1
J22	Screw	1
J23	O-ring	1
J24	Screw	1
J25	Plastic Cap	1
J26	Spring Collar	2
J27	Oil Filter	1
J28	Valve Plug	1
J29	Spring	1
J30	Ball	1

Part	Description	Qty
J31	O-ring	1
J32	Seal Ring	1
J33	O-ring	1
J34	Damp Valve Seat	1
J35	Spring	1
J36	O-ring	1
J37	Damp Valve Rod	1
J38	Screw	1
J39	Pump	1
J40	Copper Washer	1
J41	Pump Cylinder	1
J42	Seal Ring	1
J43	Seal Ring	1
J44	Pump Piston	1



LIMITED 90 DAY WARRANTY

Harbor Freight Tools Co. makes every effort to assure that its products meet high quality and durability standards, and warrants to the original purchaser that this product is free from defects in materials and workmanship for the period of 90 days from the date of purchase. This warranty does not apply to damage due directly or indirectly, to misuse, abuse, negligence or accidents, repairs or alterations outside our facilities, criminal activity, improper installation, normal wear and tear, or to lack of maintenance. We shall in no event be liable for death, injuries to persons or property, or for incidental, contingent, special or consequential damages arising from the use of our product. Some states do not allow the exclusion or limitation of incidental or consequential damages, so the above limitation of exclusion may not apply to you. THIS WARRANTY IS EXPRESSLY IN LIEU OF ALL OTHER WARRANTIES, EXPRESS OR IMPLIED, INCLUDING THE WARRANTIES OF MERCHANTABILITY AND FITNESS.

To take advantage of this warranty, the product or part must be returned to us with transportation charges prepaid. Proof of purchase date and an explanation of the complaint must accompany the merchandise. If our inspection verifies the defect, we will either repair or replace the product at our election or we may elect to refund the purchase price if we cannot readily and quickly provide you with a replacement. We will return repaired products at our expense, but if we determine there is no defect, or that the defect resulted from causes not within the scope of our warranty, then you must bear the cost of returning the product.

This warranty gives you specific legal rights and you may also have other rights which vary from state to state.

3491 Mission Oaks Blvd. • PO Box 6009 • Camarillo, CA 93011 • (800) 444-3353

Free Manuals Download Website

<http://myh66.com>

<http://usermanuals.us>

<http://www.somanuals.com>

<http://www.4manuals.cc>

<http://www.manual-lib.com>

<http://www.404manual.com>

<http://www.luxmanual.com>

<http://aubethermostatmanual.com>

Golf course search by state

<http://golfingnear.com>

Email search by domain

<http://emailbydomain.com>

Auto manuals search

<http://auto.somanuals.com>

TV manuals search

<http://tv.somanuals.com>