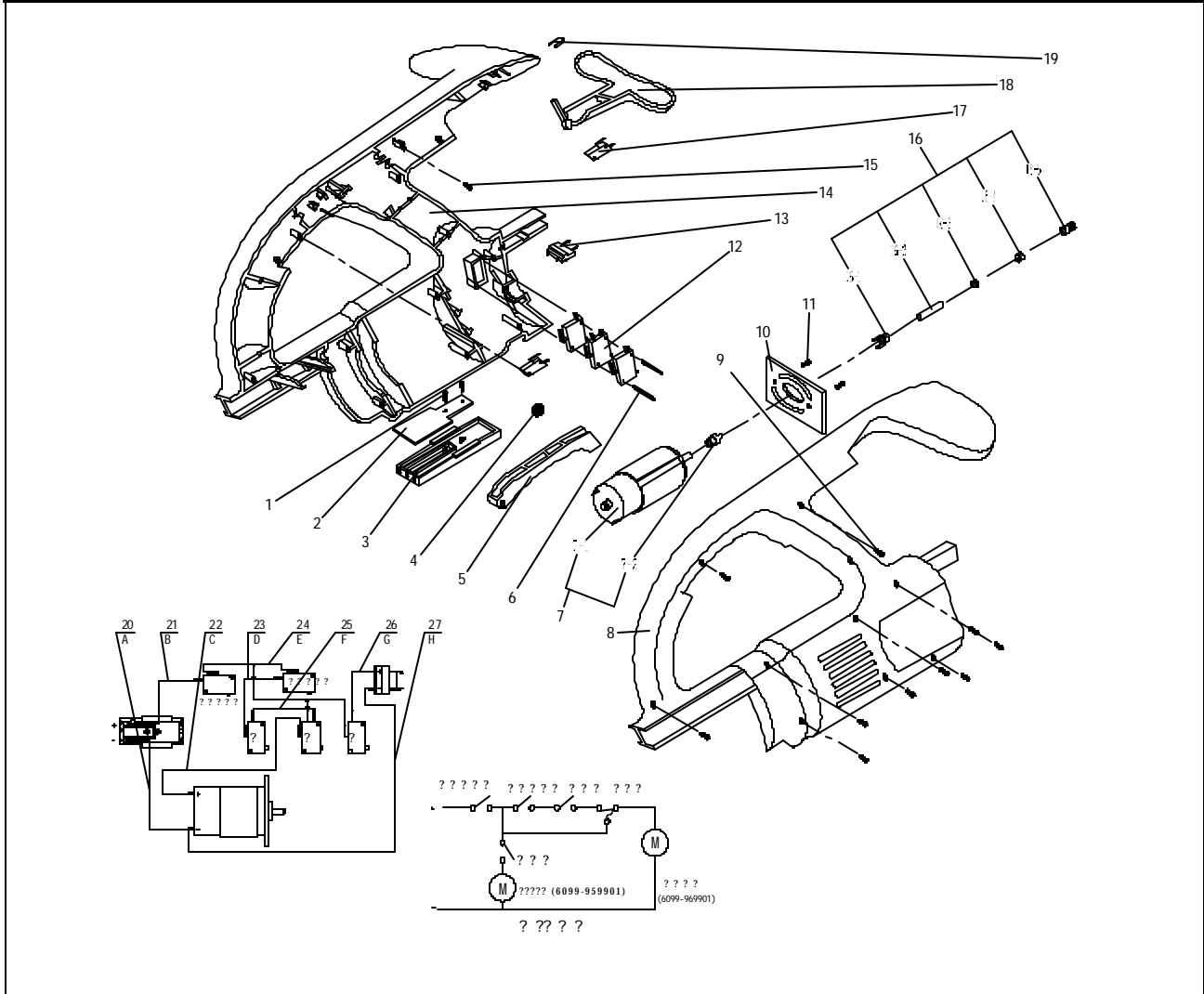




# SERVICE SPARE PARTS LIST

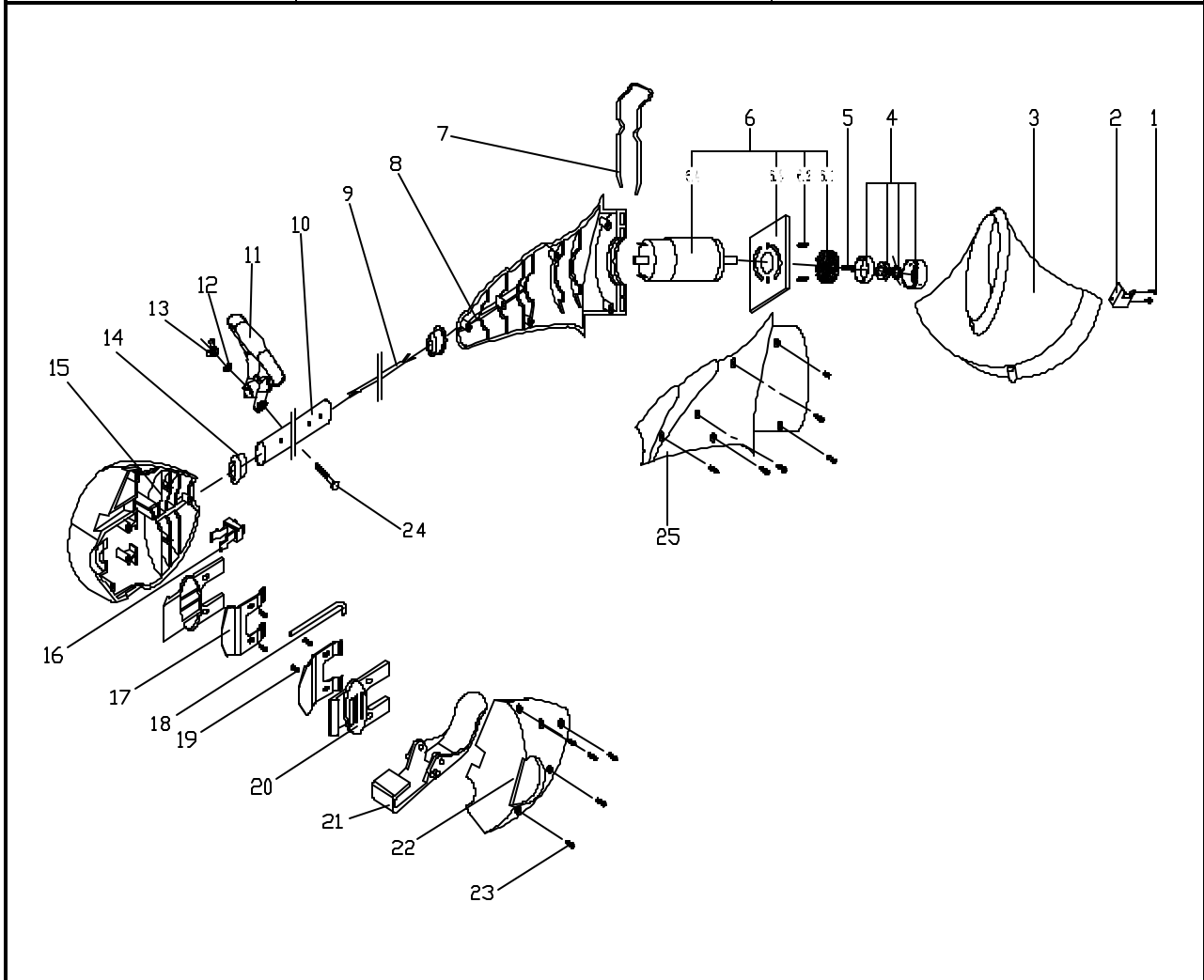
SPECIFY MODEL NO. WHEN ORDERING PARTS		DATE
Motor Ass'y		1/7/2003
MODEL NO.	<b>9238-989901</b>	





# SERVICE SPARE PARTS LIST

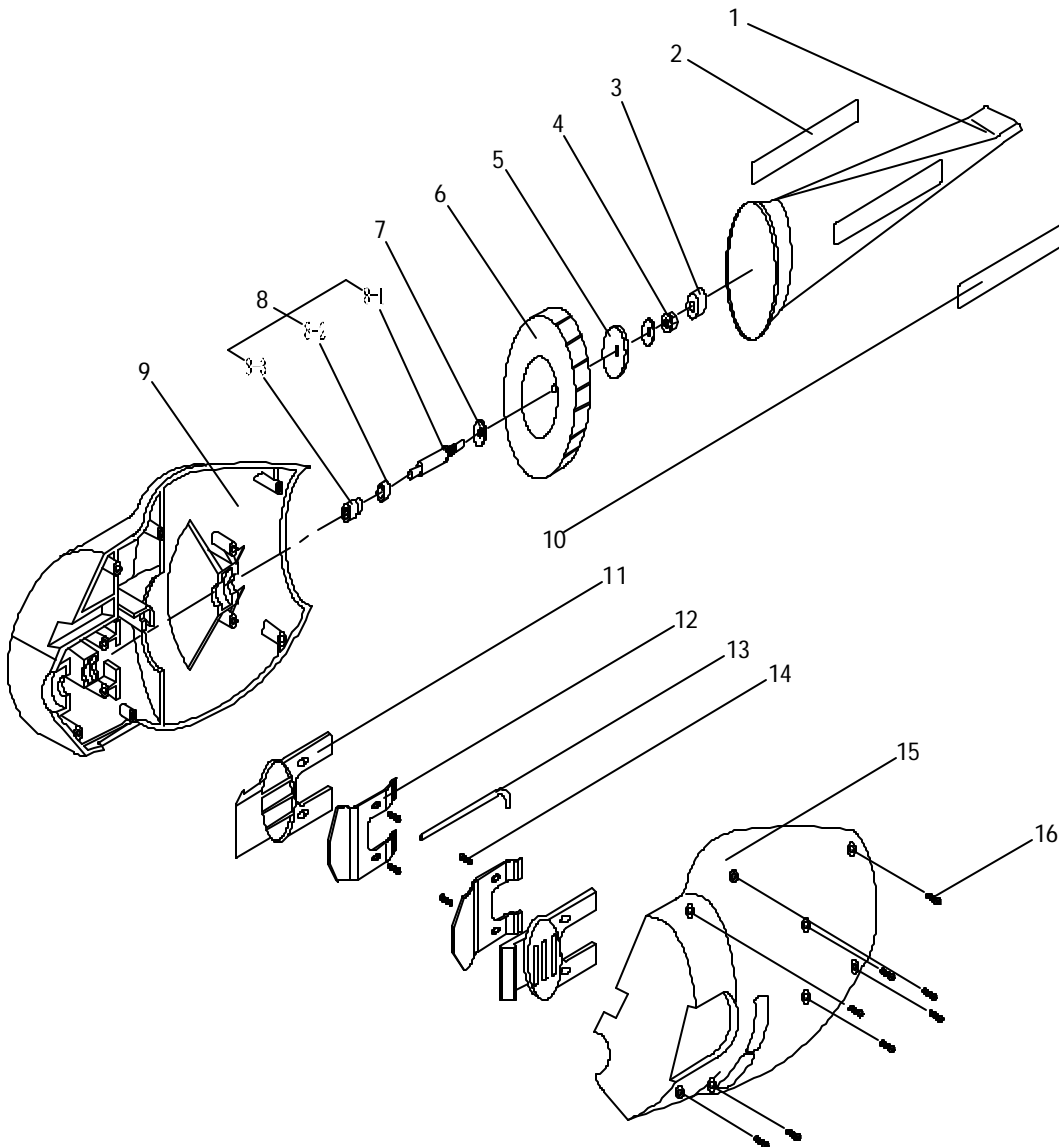
SPECIFY MODEL NO. WHEN ORDERING PARTS		DATE
Trimmer Ass'y		1/7/2003
MODEL NO.	9238-980101	





# SERVICE SPARE PARTS LIST

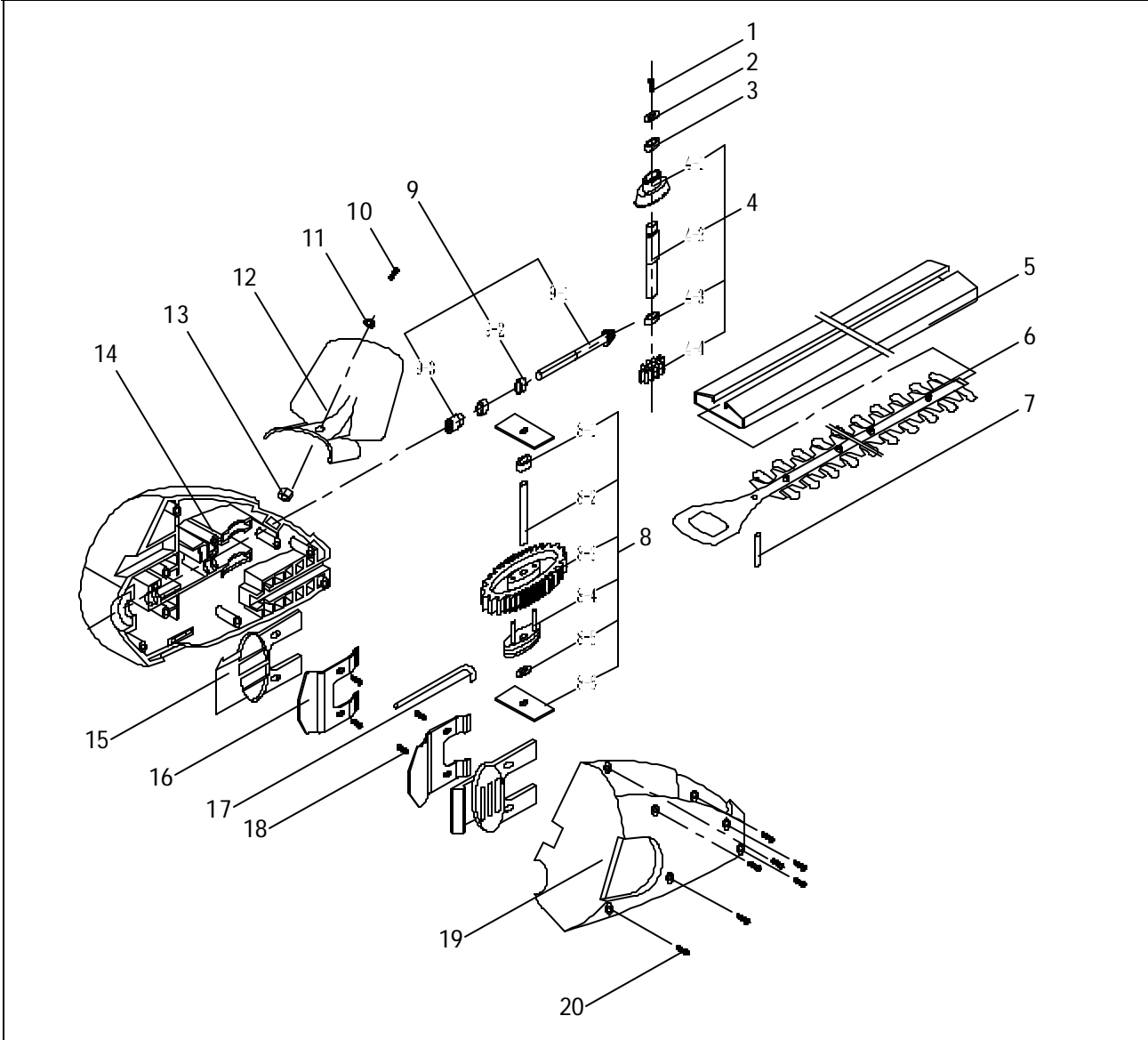
SPECIFY MODEL NO. WHEN ORDERING PARTS		DATE
Blower Ass'y		1/7/2003
MODEL NO.	6238-980501	





# SERVICE SPARE PARTS LIST

SPECIFY MODEL NO. WHEN ORDERING PARTS		DATE
Hedge Trimmer Ass'y		1/7/2003
MODEL NO.	6238-981001	



MX9899 41AE899C077  
3INI GARDEN COMBO  
KIT

**PARTS LIST**

Ref. No.	Part Number	Description
	9238-989901	MOTOR ASS'Y
<b>1</b>	<b>6SDANB02-05</b>	<b>SCREW</b>
2	6158-989901	PRESSURE PLATE
<b>3</b>	<b>6141-989901</b>	<b>SOCKET, MAIN BODY</b>
4	6024-989901	SPRING
<b>5</b>	<b>6056-989902</b>	<b>BUTTON, AFTER</b>
6	6115-989901	PIN
<b>7</b>	<b>6228-989902</b>	<b>MOTOR ASS'Y</b>
7-1	6099-989901	MOTOR
<b>7-2</b>	<b>6154-989901</b>	<b>JOINT</b>
8	6038-989902	HOUSING (L)
<b>9</b>	<b>6SDABB04-16</b>	<b>SCREW</b>
10	6043-989901	MOTOR PLATE
<b>11</b>	<b>6SQAC-04-10</b>	<b>SCREW</b>
12	6022-989902	SWITCH
<b>13</b>	<b>6041-989901</b>	<b>TERMINAL HOLDER</b>
14	6038-989901	HOUSING (R)
<b>15</b>	<b>9SLABB03-12</b>	<b>SCREW</b>
16	6228-989901	SHAFT ASS'Y
<b>16-1</b>	<b>6154-989901</b>	<b>JOINT</b>
16-2	6111-989901	SHAFT
<b>16-3</b>	<b>6124-989901</b>	<b>SHAFT SLEEVE</b>
16-4	6155-989901	BEARING
<b>16-5</b>	<b>6081-989901</b>	<b>CONNECTION SHAFT</b>
17	6022-989901	SWITCH
<b>18</b>	<b>6056-989901</b>	<b>BUTTON, FRONT</b>
19	6024-989902	SPRING CLIP
<b>20</b>	<b>6010-989901</b>	<b>WIRE</b>
21	6010-989902	WIRE
<b>22</b>	<b>6010-989903</b>	<b>WIRE</b>
23	6010-989904	WIRE
<b>24</b>	<b>6010-989905</b>	<b>WIRE</b>
25	6010-989906	WIRE
<b>26</b>	<b>6010-989907</b>	<b>WIRE</b>
27	6010-989908	WIRE

Ref. No.	Part Number	Description
	<b>9238-980101</b>	<b>TRIMMER ASS'Y</b>
1	6SDABB04-14	SCREW
<b>2</b>	<b>6250-202501</b>	<b>KNIFE</b>
3	6262-980101	GUARD
<b>4</b>	<b>6228-202004A</b>	<b>SPOOL ASS'Y</b>
5	6024-202604	SPRING
<b>6</b>	<b>6228-980101</b>	<b>MOTOR ASS'Y</b>
6-1	6169-959901	FAN
<b>6-2</b>	<b>6SQAC04-10</b>	<b>SCREW</b>
6-3	6043-989901	FIX PLATE
<b>6-4</b>	<b>6099-959901</b>	<b>MOTOR</b>
7	6063-980101	GUIDE
<b>8</b>	<b>6038-980101</b>	<b>HOUSING (L)</b>
9	6010-980101	WIRE
<b>10</b>	<b>6087-980101</b>	<b>TUBE</b>
11	9196-202601	HANDLE
<b>12</b>	<b>6WFB-06</b>	<b>WASHER</b>
13	6NAB-06	NUT
<b>14</b>	<b>9012-330501</b>	<b>RUBBER</b>
15	6154-980101	CONNECT (L)
<b>16</b>	<b>6041-980101</b>	<b>TERMINAL ASS'Y</b>
17	6079-981001	SPRING LAMINATION
<b>18</b>	<b>6197-981001</b>	<b>PIN</b>
19	6SVAB-05-10	SCREW
20	6056-981001	BUTTON
<b>21</b>	<b>6114-980101</b>	<b>CLIP</b>
22	6154-980102	CONNECT (R)
<b>23</b>	<b>6SDABB04-18</b>	<b>SCREW</b>
24	6SHDB-06-52	SCREW
<b>25</b>	<b>6038-980102</b>	<b>HOUSING (R)</b>

MX9899 41AE899C077  
 3INI GARDEN COMBO  
 KIT

**PARTS LIST**

Ref. No.	Part Number	Description
	<b>6238-980501</b>	<b>BLOWER ASS'Y</b>
1	6129-980501	TUBE
2	<b>6097-980501</b>	<b>LABEL</b>
3	6MB-626-01	BEARING
4	<b>6236-980501</b>	<b>NUT</b>
5	6014-220002	WASHER
6	<b>6169-980501</b>	<b>FAN</b>
7	6014-220001	WASHER
8	<b>6228-980501</b>	<b>PIVOT ASS'Y</b>
8-1	6173-980501	PIVOT
8-2	<b>6155-981001</b>	<b>BEARING</b>
8-3	6081-981001	JOINTING SLEEVE
9	<b>6154-980501</b>	<b>CONNECT (L)</b>
10	6097-980502	LABEL
11	<b>6056-981001</b>	<b>BUTTON</b>
12	6079-981001	SPRING LAMINATION
13	<b>6197-981001</b>	<b>PIN</b>
14	6SVAB-05-10	SCREW
15	<b>6154-980502</b>	<b>CONNECT (R)</b>
16	6SDABB03-18	SCREW

Ref. No.	Part Number	Description
	<b>9238-981001</b>	<b>HEDGE TRIMMER ASS'Y</b>
1	6SDAB03-10	SCREW
2	<b>6WFB-05</b>	<b>WASHER</b>
3	6MB-607-01	BEARING
4	<b>9228-981003</b>	<b>TRANSMISSION ASS'Y</b>
4-1	6073-981001	GEAR
4-2	<b>6127-981001</b>	<b>TRANSMISSION SHAFT</b>
4-3	6MB-607-01	BEARING
4-4	<b>6073-981002</b>	<b>GEAR PINION</b>
5	6017-981001	BLADE COVER
6	<b>6250-981001</b>	<b>BLADE</b>
7	9PC04-20	PIN
8	<b>6228-981002</b>	<b>RECIPROCAL ASS'Y</b>
8-1	6124-981001	SHAFT SLEEVE
8-2	<b>6239-981001</b>	<b>FIXED LINK</b>
8-3	6073-969903	GEAR WHEEL
8-4	<b>6040-969901</b>	<b>BLOCK</b>
8-5	6014-981001	WASHER
8-6	<b>6207-981001</b>	<b>PLATE</b>
9	6228-981001	GEAR SHAFT ASS'Y
9-1	<b>6110-981001</b>	<b>GEAR SHAFT</b>
9-2	6155-981001	BEARING
9-3	<b>6081-981001</b>	<b>JOINTING SLEEVE</b>
10	6SDAB05-12	SCREW
11	<b>6WFB-05</b>	<b>WASHER</b>
12	6077-981001	COVER
13	<b>6NAB-05</b>	<b>NUT</b>
14	6217-981001	HOUSING (L)
15	<b>6056-981001</b>	<b>BUTTON</b>
16	6079-981001	SPRING
17	<b>6197-981001</b>	<b>PIN</b>
18	6SVAB-05-10	SCREW
19	<b>6217-981002</b>	<b>HOUSING (R)</b>
20	6SDABB03-15	SCREW

## Free Manuals Download Website

<http://myh66.com>

<http://usermanuals.us>

<http://www.somanuals.com>

<http://www.4manuals.cc>

<http://www.manual-lib.com>

<http://www.404manual.com>

<http://www.luxmanual.com>

<http://aubethermostatmanual.com>

Golf course search by state

<http://golfingnear.com>

Email search by domain

<http://emailbydomain.com>

Auto manuals search

<http://auto.somanuals.com>

TV manuals search

<http://tv.somanuals.com>