

MFT44 154



_____ (Original instructions) **User's Manual**



Read the instructions in the User's Manual.
Familiarise yourself with the machine's controls and operation.

EN

_____ (Originalanleitung) **Betriebsanleitung**



Bitte lesen Sie die in dieser Anleitung enthaltenen Anweisungen.
Machen Sie sich mit der Funktionsweise und der Bedienung der Maschine vertraut.

DE

_____ (Notice originale) **Manuel d'utilisation**



Lire les instructions du manuel utilisateur.
Se familiariser avec le fonctionnement et les commandes de la machine.

FR

_____ (Manual original) **Manual de uso**



Leer las instrucciones del manual de usuario.
Familiarizarse con el funcionamiento y los mandos de la máquina.

ES

_____ (Manuale originale) **Manuale d'uso**



Leggere le istruzioni riportate nel manuale d'uso.
Familiarizzarsi con il funzionamento e con i comandi della macchina.

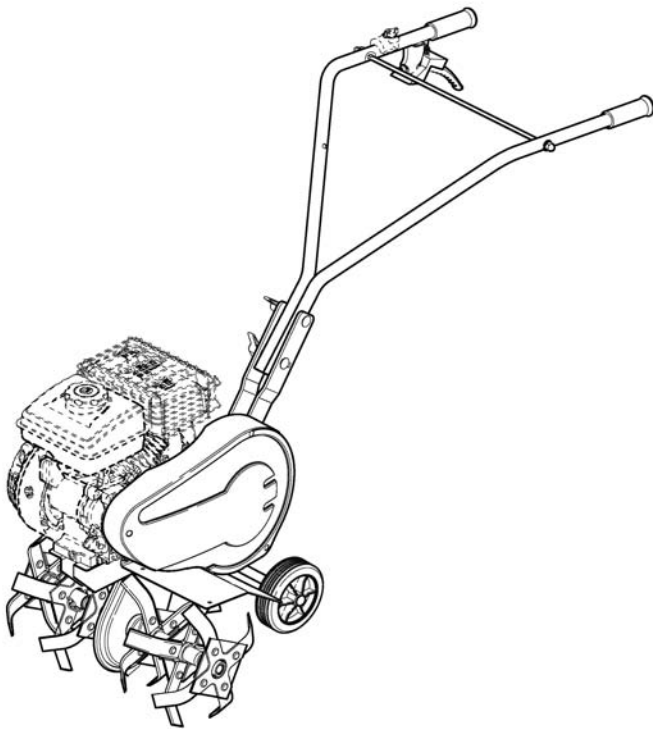
IT

_____ (Oorspronkelijke handleiding) **Gebruikshandleiding**

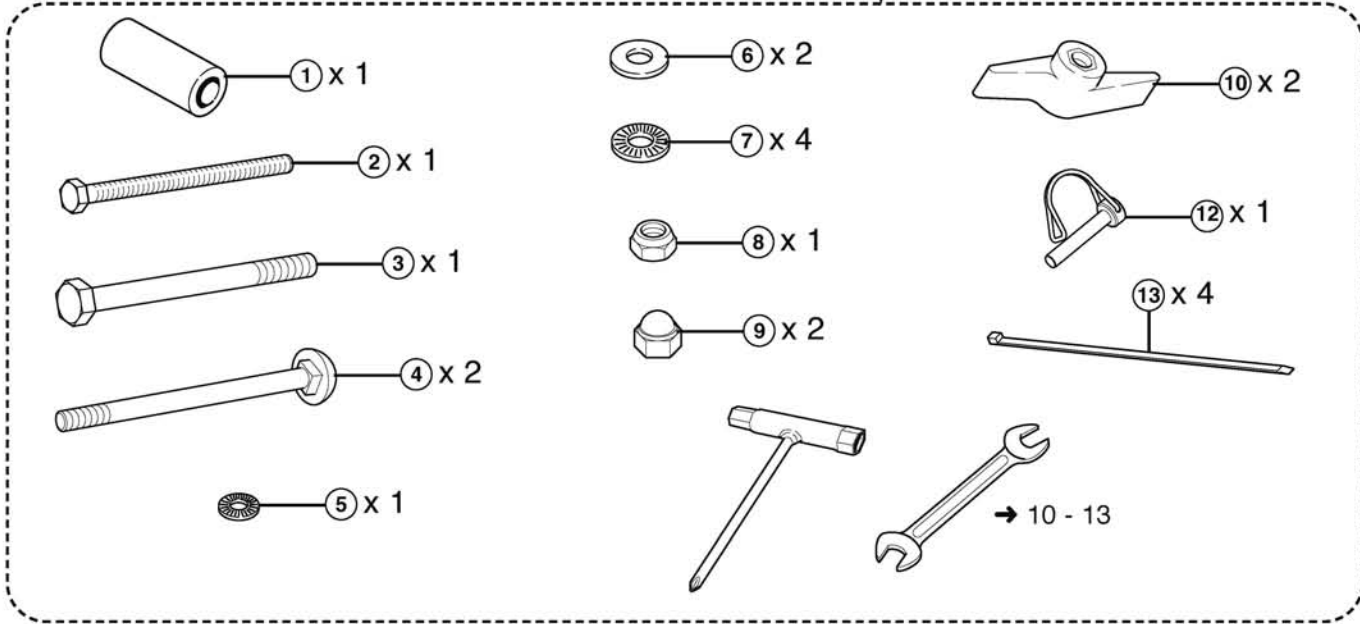
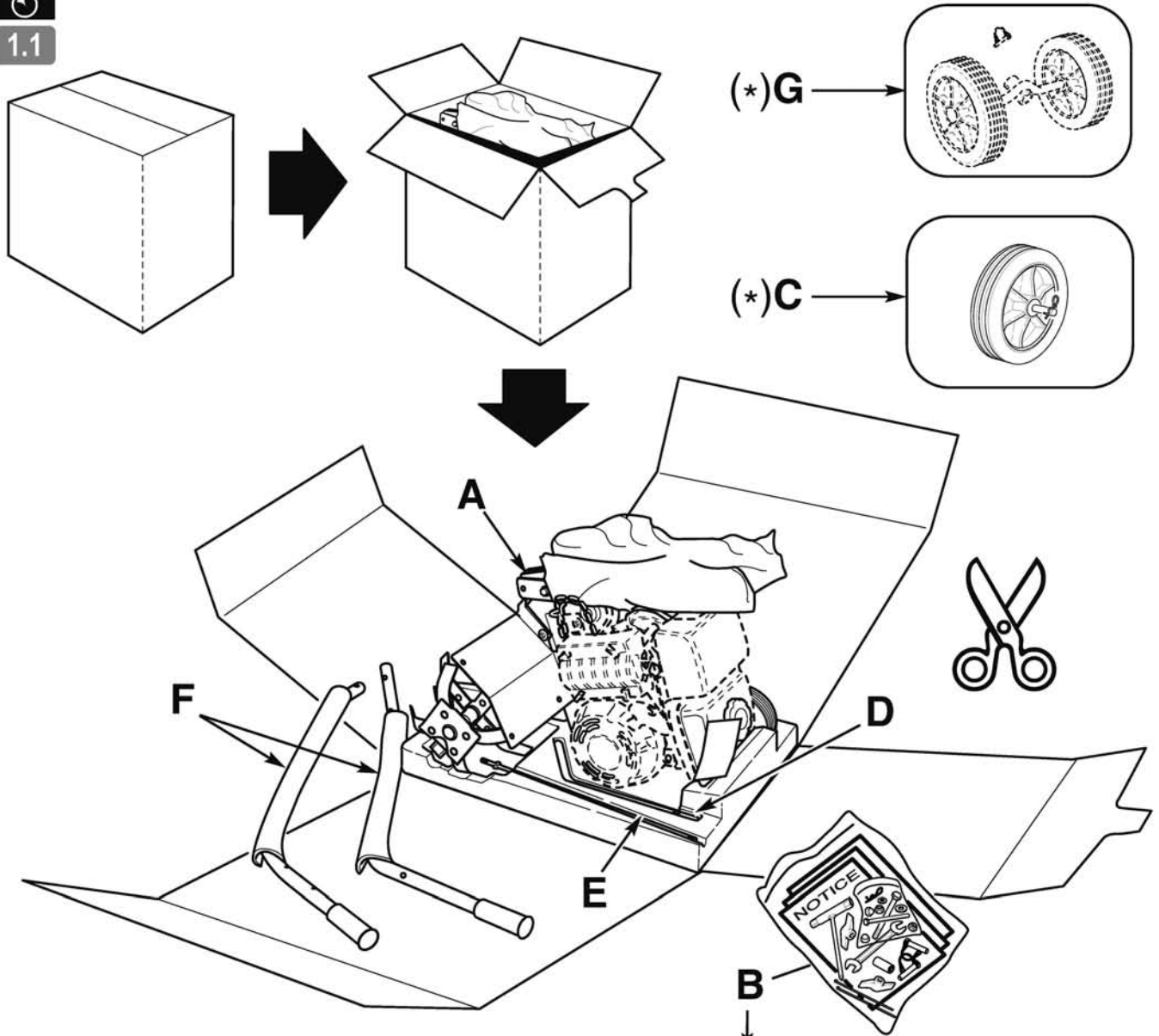


De instructies vermeld in de gebruikshandleiding lezen.
Zich vertrouwd maken met de werking en de bediening van de machine.

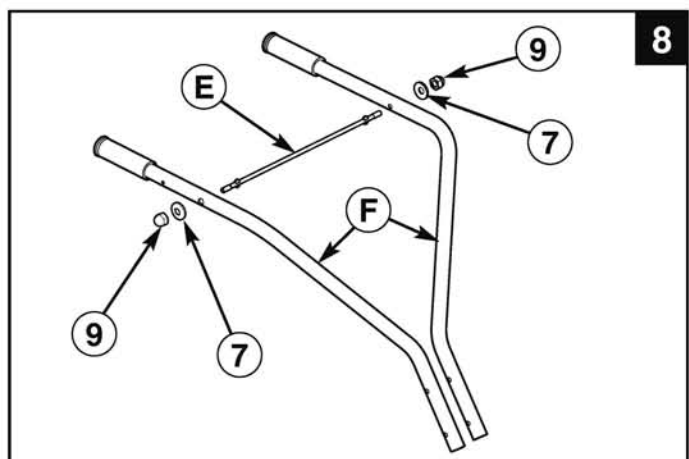
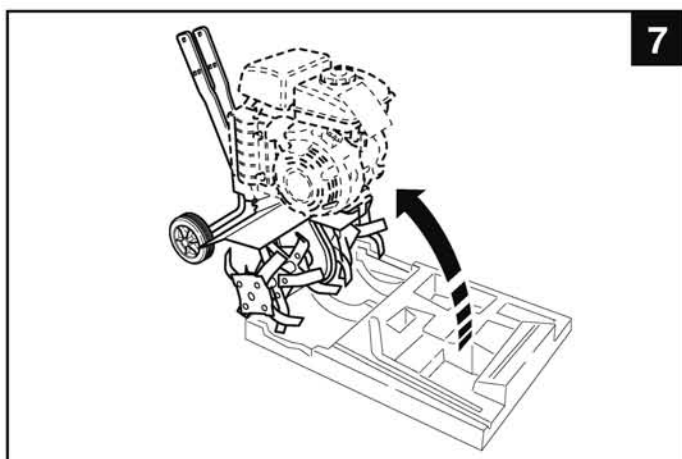
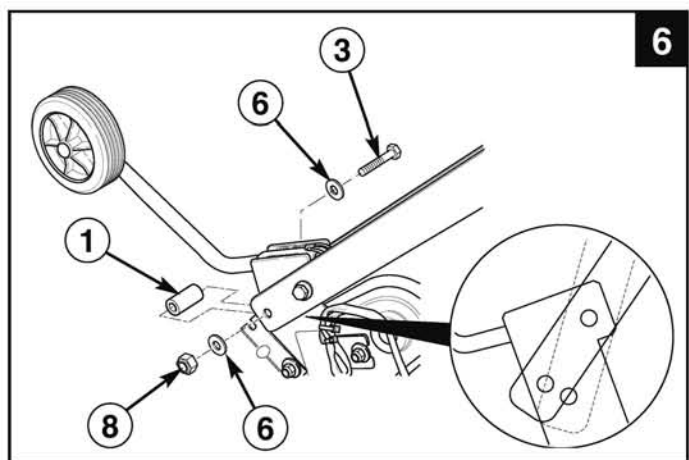
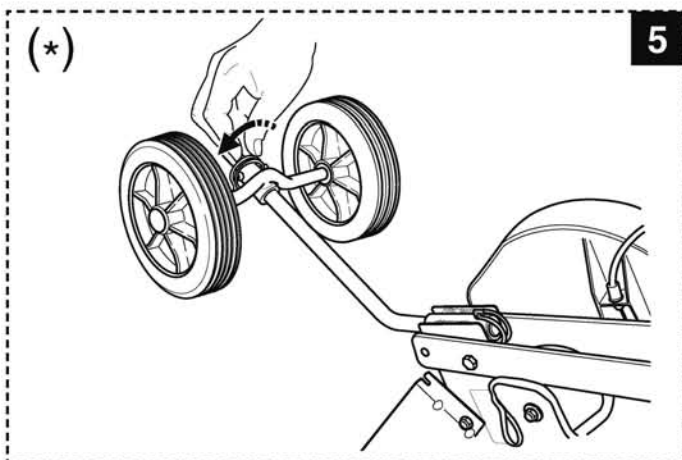
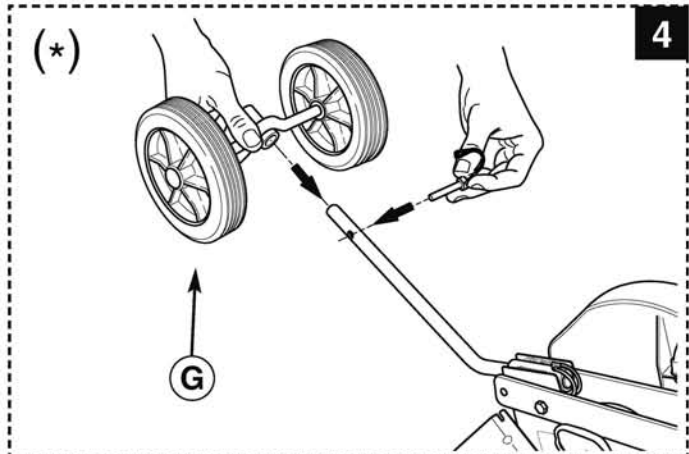
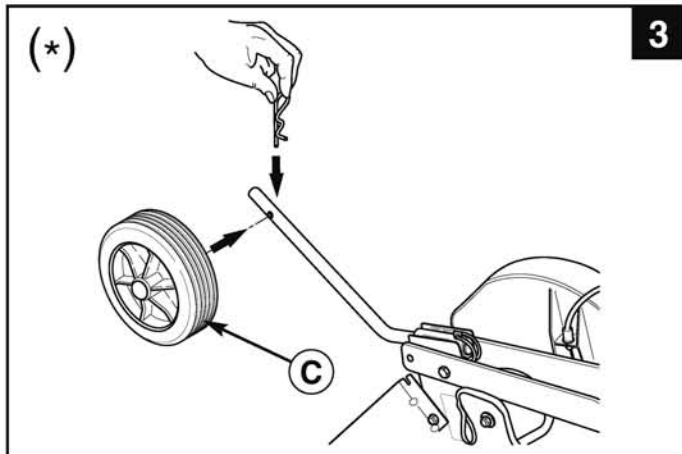
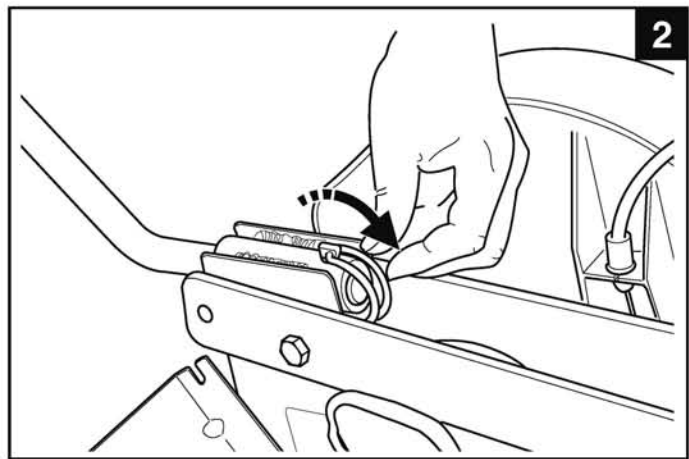
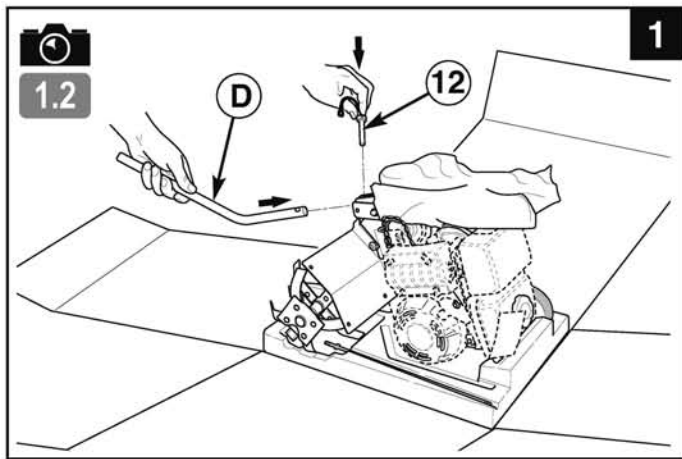
NL



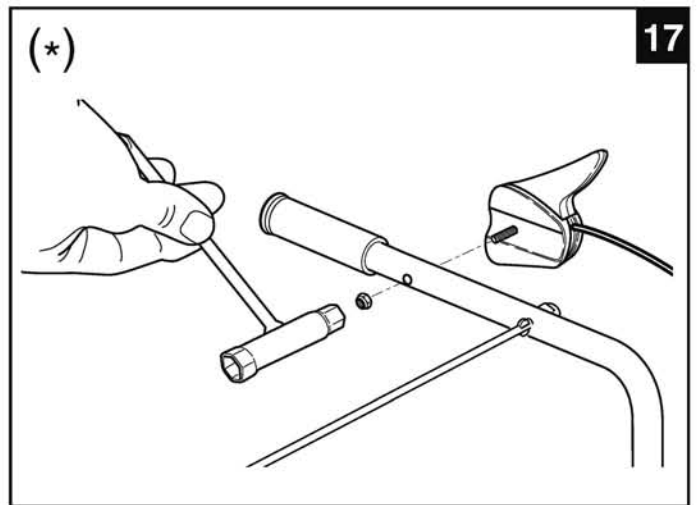
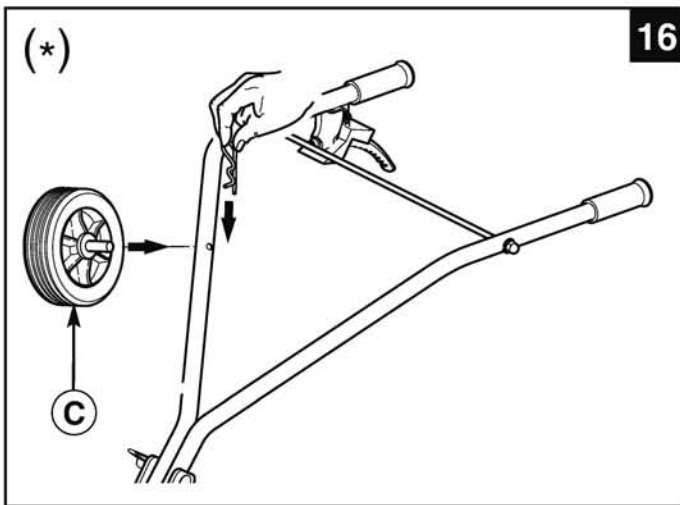
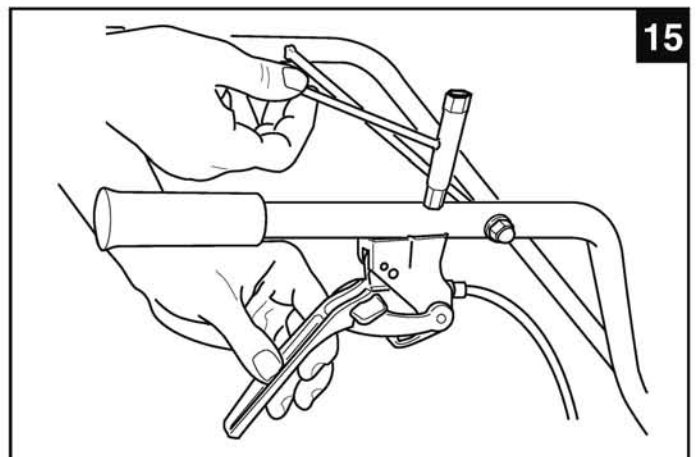
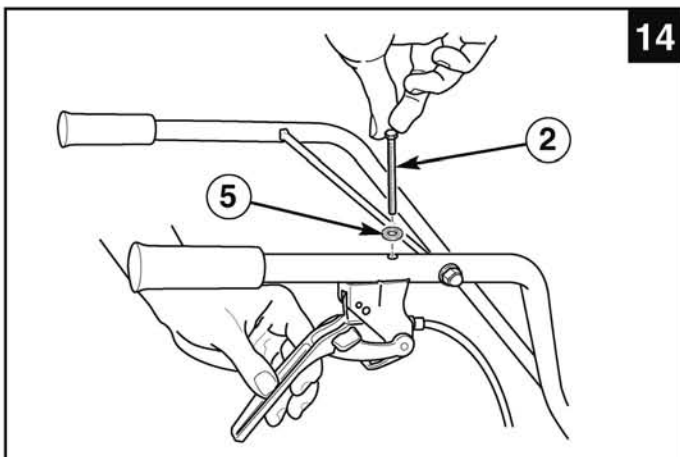
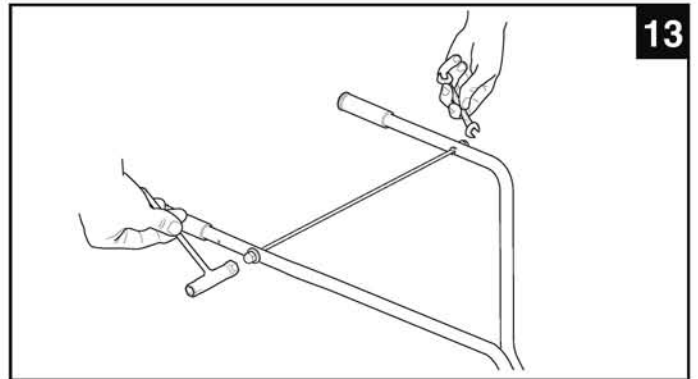
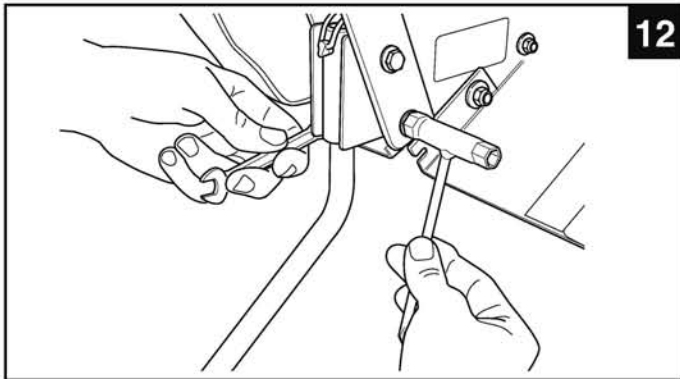
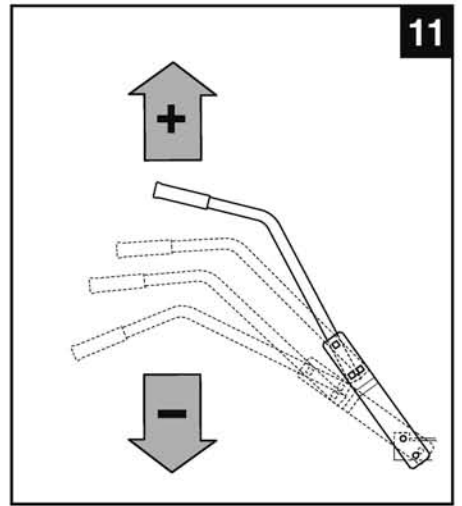
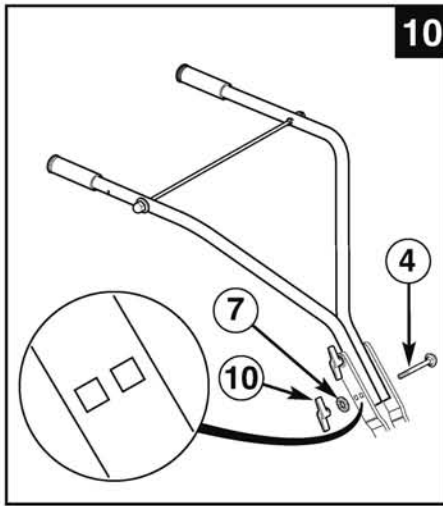
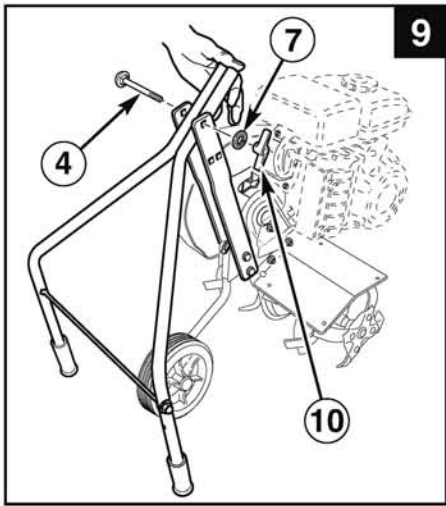
McCULLOCH®



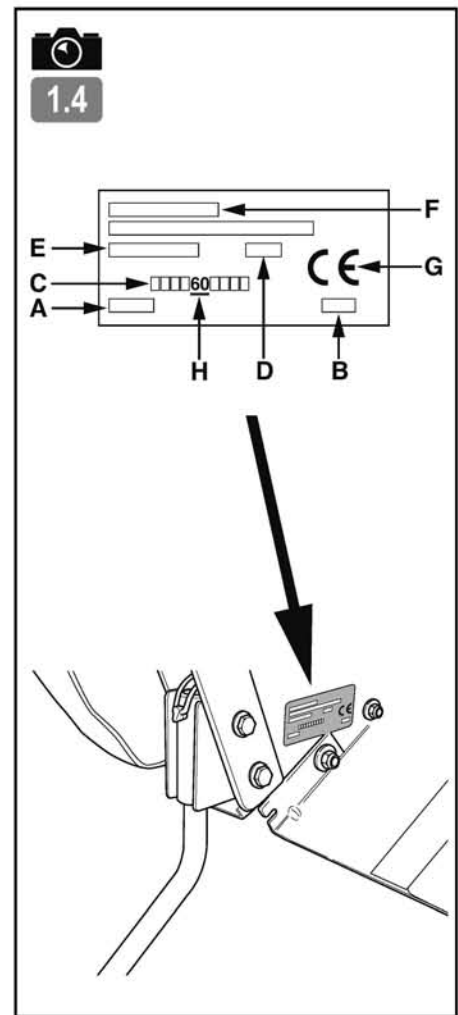
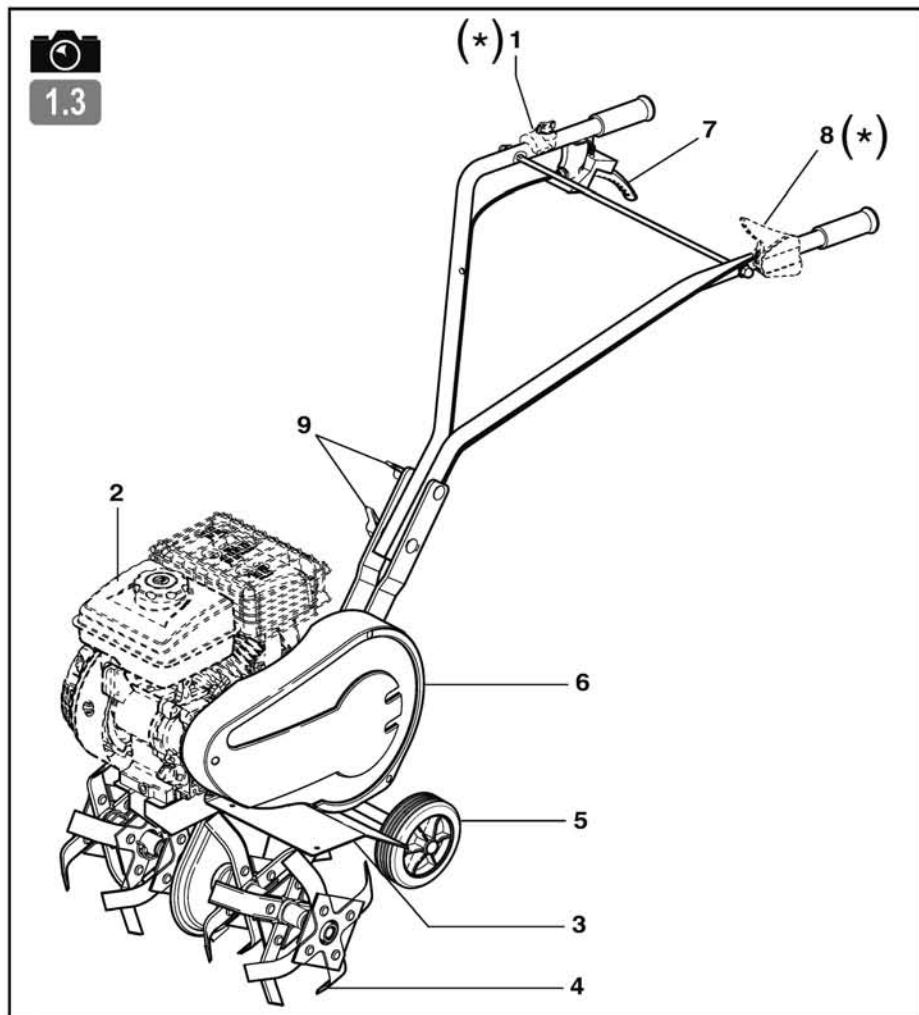
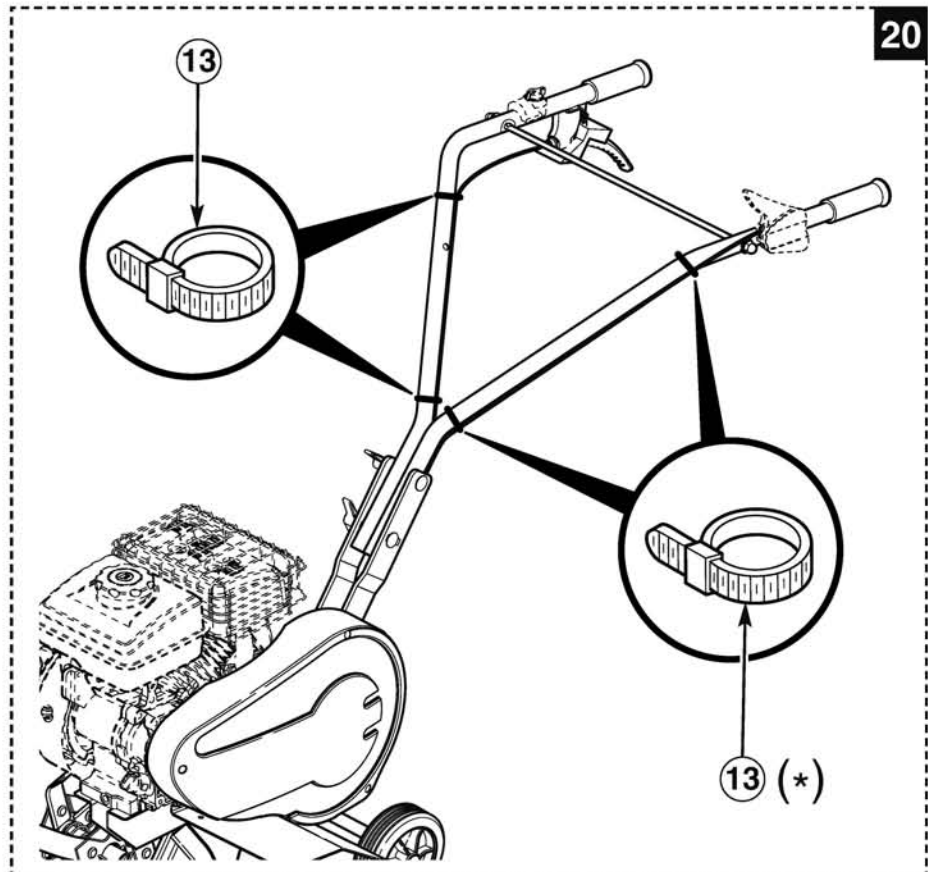
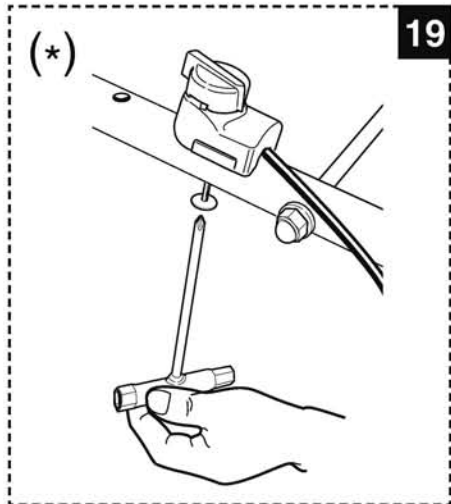
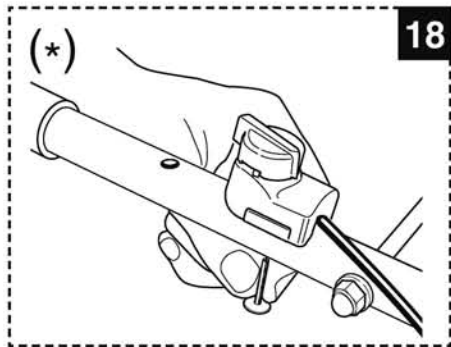
(*) : FR : (suivant version) - EN : (depending on the version) - DE : (je nach Ausführungsvariante) - BG : (според варианта)
 HR : (ovisno o verziji) - DA : (Afhængigt af version) - ES : (Según versión) - ET : (järgmine versioon) - FI : (mallista riippuen)
 EL : (ανάλογα με το μοντέλο) - HU : (verziótól függően) - IT : (A seconda del modello) - LV : (atkarībā no versijas)
 LT : (priklausomai nuo versijos) - NL : (Naar gelang model) - NO : (Avhengig av versjon) - PL : (Zależnie od wersji)
 PT : (Consoante versão) - RO : (În funcție de versiune) - TR : (versiyona göre) - SK : (v závislosti od verzie) - SL : (odvisno od verzije)
 SV : (beroende på version) - CZ : (v závislosti na provedení) - UK : (в залежності від версії) - RU : (В зависимости от модификации)



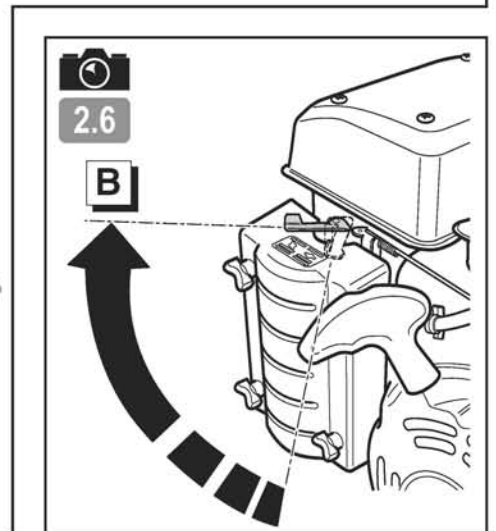
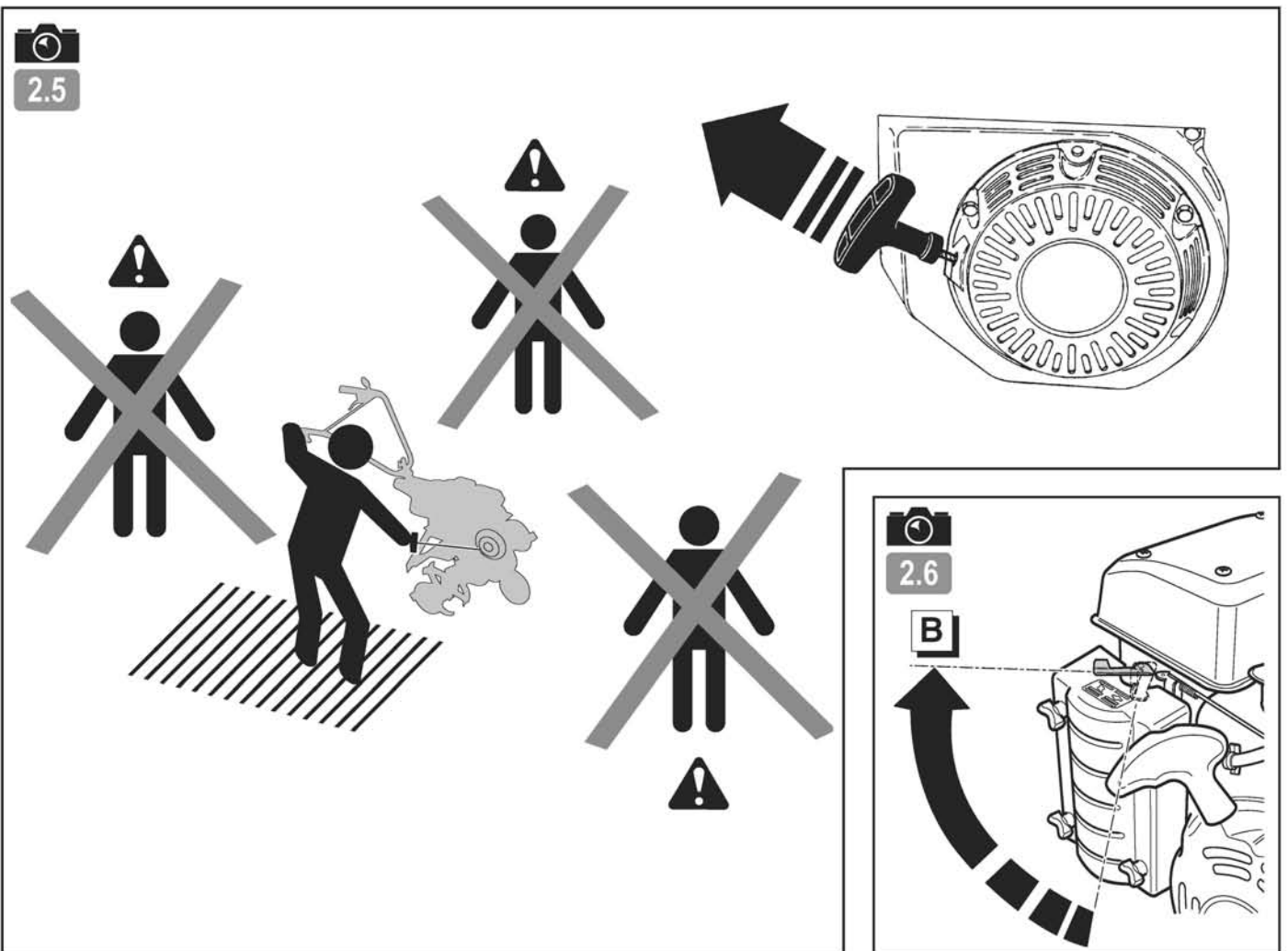
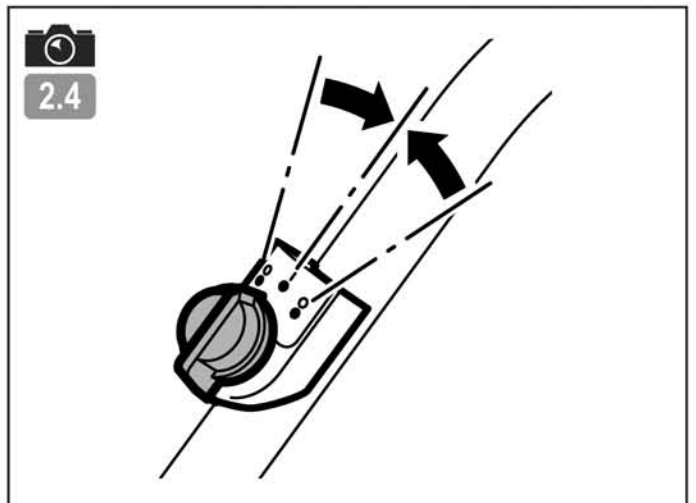
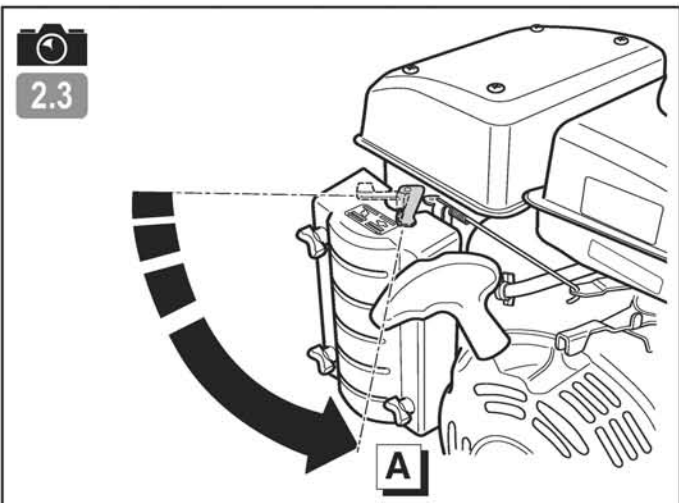
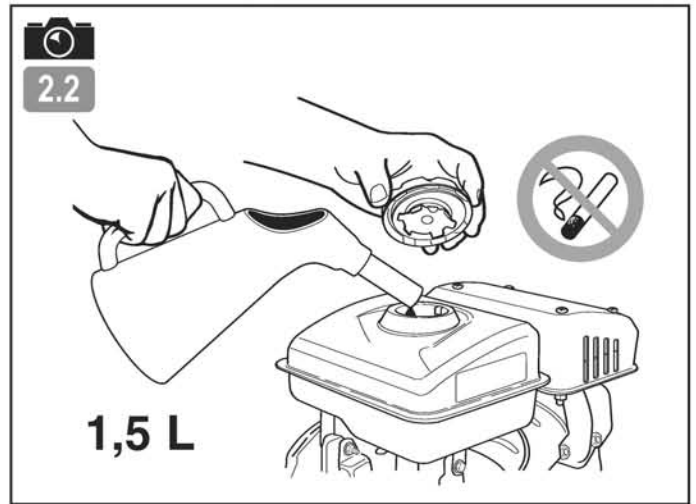
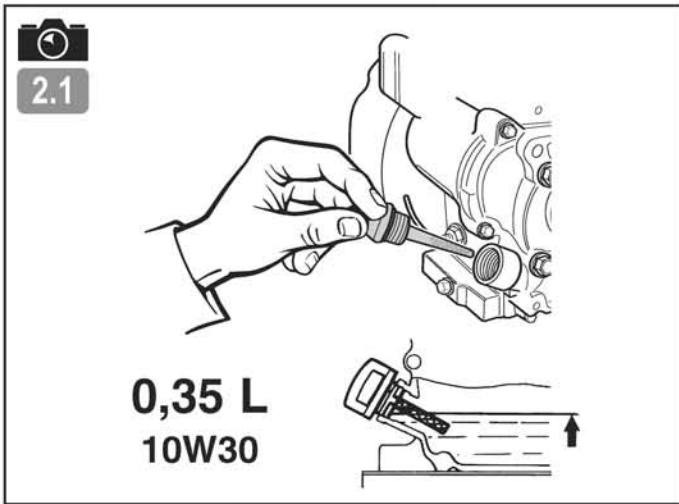
(*): FR : (suivant version) - EN : (depending on the version) - DE : (je nach Ausführungsvariante) - BG : (според варианта)
 HR : (ovisno o verziji) - DA : (Afhængigt af version) - ES : (Según versión) - ET : (järgmine versioon) - FI : (mallista riippuen)
 EL : (ανάλογα με το μοντέλο) - HU : (verziótól függően) - IT : (A seconda del modello) - LV : (atkarībā no versijas)
 LT : (priklausomai nuo versijos) - NL : (Naar gelang model) - NO : (Avhengig av versjon) - PL : (Zależnie od wersji)
 PT : (Consoante versão) - RO : (În funcție de versiune) - TR : (versiyona göre) - SK : (v závislosti od verzie) - SL : (odvisno od verzije)
 SV : (beroende på version) - CZ : (v závislosti na provedení) - UK : (в залежності від версії) - RU : (В зависимости от модификации)

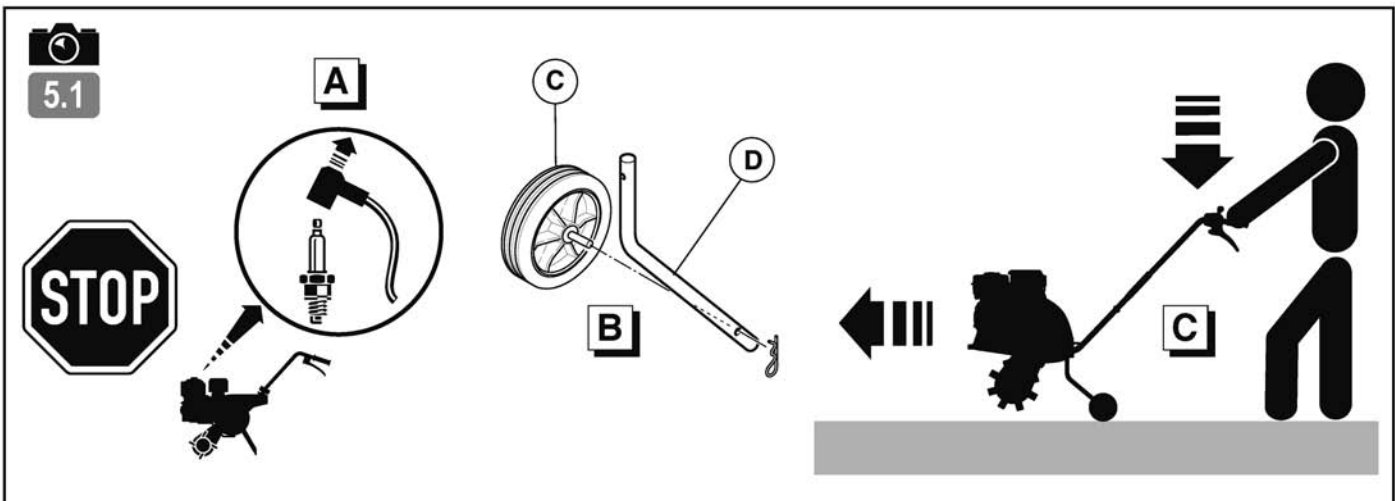
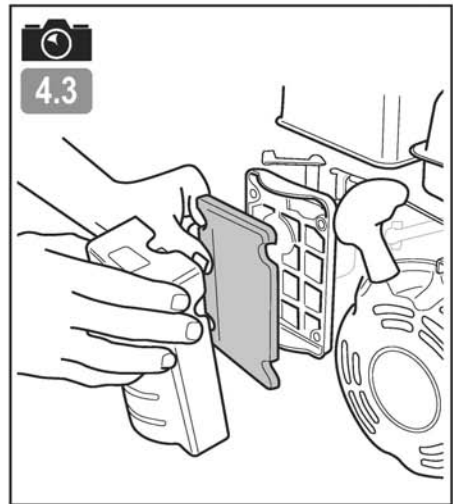
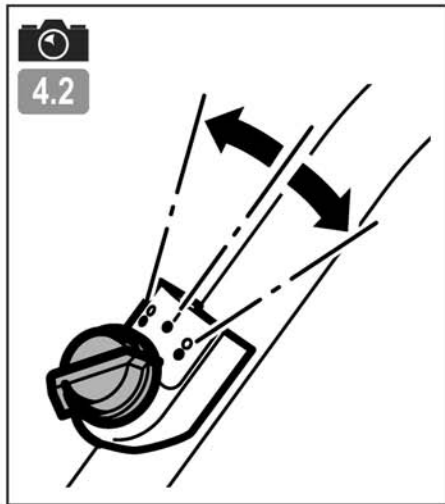
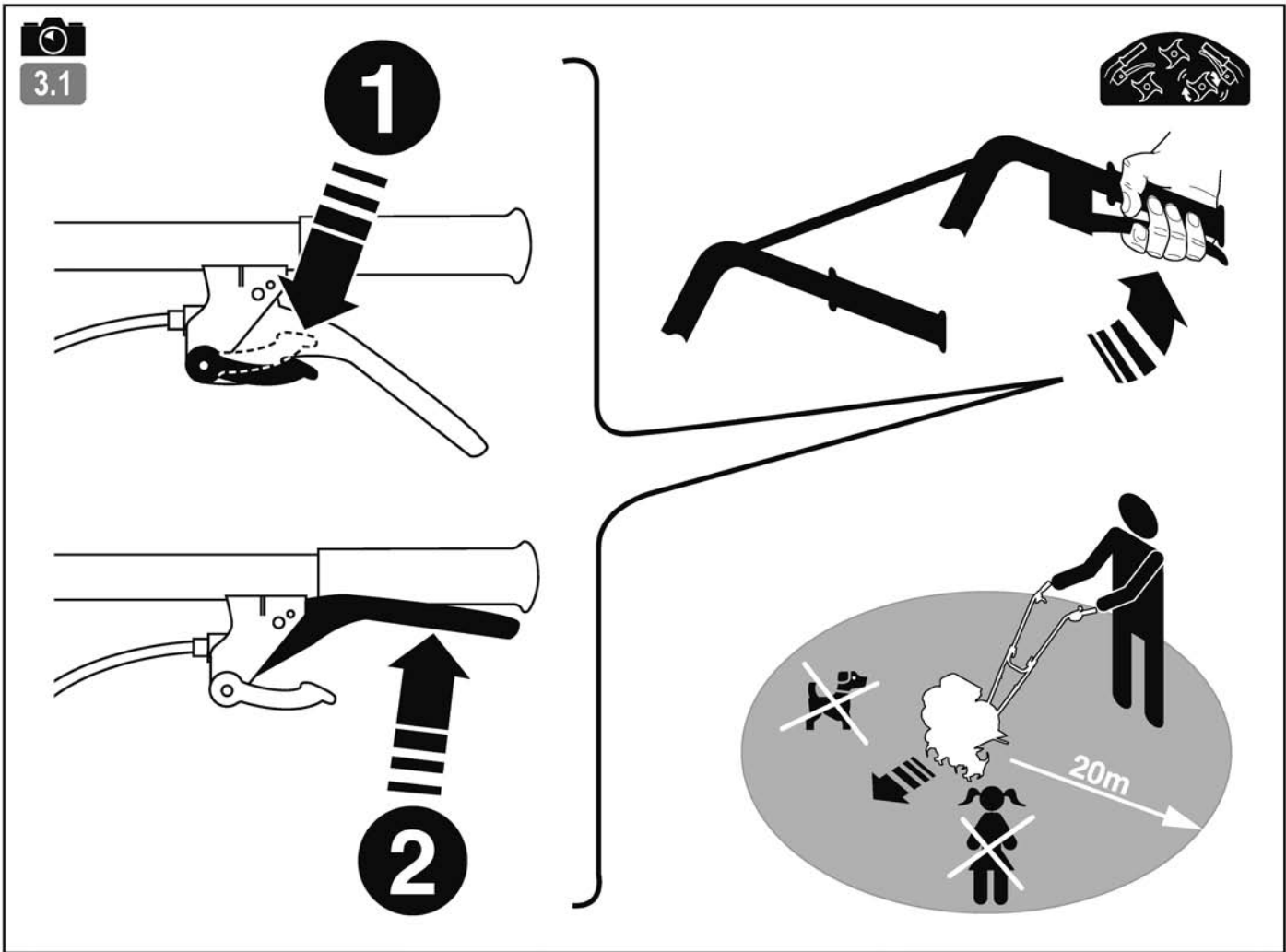


(+): FR : (suivant version) - EN : (depending on the version) - DE : (je nach Ausführungsvariante) - BG : (според варианта)
 HR : (ovisno o verziji) - DA : (Afhængigt af version) - ES : (Según versión) - ET : (järgmine versioon) - FI : (mallista riippuen)
 EL : (ανάλογα με το μοντέλο) - HU : (verziótól függően) - IT : (A seconda del modello) - LV : (atkarībā no versijas)
 LT : (priklausomai nuo versijos) - NL : (Naar gelang model) - NO : (Avhengig av versjon) - PL : (Zależnie od wersji)
 PT : (Consoante versão) - RO : (În funcție de versiune) - TR : (versiyona göre) - SK : (v závislosti od verzie) - SL : (odvisno od verzije)
 SV : (beroende på version) - CZ : (v závislosti na provedení) - UK : (в залежності від версії) - RU : (В зависимости от модификации)



(*): FR : (suivant version) - EN : (depending on the version) - DE : (je nach Ausführungsvariante) - BG : (според варианта)
 HR : (ovisno o verziji) - DA : (Afhængigt af version) - ES : (Según versión) - ET : (järgmine versioon) - FI : (mallista riippuen)
 EL : (ανάλογα με το μοντέλο) - HU : (verziótól függően) - IT : (A seconda del modello) - LV : (atkarībā no versijas)
 LT : (priklausomai nuo versijos) - NL : (Naar gelang model) - NO : (Avhengig av versjon) - PL : (Zależnie od wersji)
 PT : (Consoante versão) - RO : (În funcție de versiune) - TR : (versiyona göre) - SK : (v závislosti od verzie) - SL : (odvisno od verzije)
 SV : (beroende på version) - CZ : (v závislosti na provedení) - UK : (в залежності від версії) - RU : (В зависимости от модификации)





SAFETY PRECAUTIONS

Pay particular care to the sections marked as follows:

EN



DANGER : This indicates a strong likelihood of serious or even fatal injury if the instructions are not followed.

DE

WARNING : . This indicates a risk of injury or damage to the equipment if the instructions are not followed.

FR

NOTE : This indicates useful information.

ES



This symbol reminds you to take care with certain operations.

IT

If you have any problems or questions about the cultivator, please contact your approved supplier.

NL



DANGER : The machine is designed for safe and reliable service if used as instructed. Before using your machine, please make sure you have understood the contents of this manual. Otherwise you could be injured and your equipment could be damaged.

Training / Information

- Familiarise yourself with the correct use and the controls before using the machine. Know how to stop the motor rapidly.
- The machine must always be used according to the recommendations given in the instruction manual.
- Remember that the user is responsible for any accidents or dangerous reactions occurring to other people or their belongings. It is his responsibility to assess the potential risks of the ground to be cleared and to take all precautions necessary to ensure it is safe, in particular on slopes and on loose, slippery or uneven ground.
- Never allow children or people unfamiliar with these instructions to use the machine. There may be local laws which set a minimum age for users.
- Never work when there are people, especially children, or animals within a radius of 20 meters of the machine; the operator must necessarily remain at the controls of the handles.
- Do not use the machine if you have been taking medicine or other substances that might slow your reactions or make you drowsy.
- Pay particular attention on hard ground, because the machine has the tendency to be much less stable than on cultivated ground.
- Always wear sturdy, non-slip footwear and tight long trousers when working. Do not use the machine in bare feet or sandals. Ear protectors are recommended.
- Use the machine for the purpose it is designed for - digging the ground. Any other use may be dangerous or cause damage to the machine.

Preparation :

- Carefully inspect the area where the machine is to be used and remove any objects that might be projected by the machine (stones, wire, glass, metal objects ...).
- Before use, always check over the machine to ensure that the tools and deflectors are not worn or damaged. Replace any worn or damaged parts.
- Maintain the electrical cables that stop the motor in good condition so that you can be sure to turn the motor off.
- Check that no petrol or oil are leaking.
- Do not use the machine without its protective casings and ensure that all the fittings are tight.

Use :

- Never transport people on the machine
- Take care when starting the motor, following the manufacturer's instructions and keeping your feet away from the blade(s).
- Stop the motor when the machine is not in use.
- When holding the machine, walk don't run.
- Take great care when pulling the machine towards you or reversing the direction of rotation (if fitted).
- Keep a safe distance from the rotating blades, set by the length of the steering column.
- Do not place your hands or feet near or beneath rotating parts.
- If there is :
 - abnormal vibration,
 - a blockage,
 - a problem engaging or disengaging the clutch,
 - a collision with a foreign object,
 - deterioration of the engine halt cable (following model).
- Stop the engine immediately (if the Engine halt cable is severed, use the starter control as described in paragraph "start the engine" to stop the Engine), let the machine cool down, unplug the spark-plug lead, inspect the machine and have the necessary repairs carried out by an approved repairer before using again.
- Work only by daylight or in good artificial light.
- Do not use the machine on slopes greater than 10° (17%).
- Work across slopes, not up or down them.
- Make sure to keep your footing on sloping ground, change direction very carefully.
- Using accessories other than those recommended may make the machine dangerous and cause damage to your machine which will not be covered by your guarantee.

Maintenance / storage

- Stop the motor and disconnect the spark plug before cleaning, inspecting, adjusting or maintaining the machine or changing the tool(s).
- Stop the motor, disconnect the spark plug and use thick gloves when changing the tool(s).

- Keep all nuts and bolts tight to ensure safe conditions of use.
- To reduce fire risk, keep the motor, the silencer and the fuel storage area free of plants, waste oil, or any other inflammable material.
- If the exhaust silencer is defective, have it replaced by an approved repairer.
- Do not mend parts; replace them by the maker's own spares.
- Replace the cutting blades in complete sets to keep them balanced
- For your own safety, do not alter the characteristics of your machine. Do not the motor speed settings and do not run the motor at excess speeds. Regular maintenance is essential for safety and to maintain the level of performance.
- Allow the motor to cool down before putting the machine away.

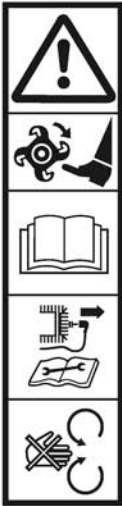
Danger ! Petrol is highly inflammable !

- Store fuel in containers specially designed for it. Always fill the tank outdoors and do not smoke while doing it.
- Do not unscrew the fuel cap or top up with petrol while the motor is running or still hot.
- If petrol is spilt on the ground, do not try to start the motor; Carry the machine elsewhere and avoid all naked flames until the petrol vapour has dispersed.
- Store the machine in a dry place. Never store the machine in a building where the petrol vapour can reach a flame, spark or source of intense heat.
- Replace the caps of the fuel tank and the petrol can correctly.
- Limit the amount of petrol in the tank to reduce spillage.
- Do not run the motor in a confined space where carbon monoxide vapour might accumulate.
- Carbon monoxide can be fatal. Ensure good ventilation.

Moving, handling, transporting.

- Any action on the machine apart from ground digging must be performed with engine stopped and spark plug disconnected.
- Except when (ground digging) the machine must be moved by using the transport wheel as described in "Moving" chapter.
- Handling: to lift the machine respect the instructions in "Handling" chapter. The machine's weight is indicated on the manufacturer's plate, at the end of this manual. Use a method of handling adapted to the weight of the machine and to the situation to guarantee the safety
- Lash the machine down correctly for safe transport.
- The machine should be transported in a trailer; do not use any other method of transport.

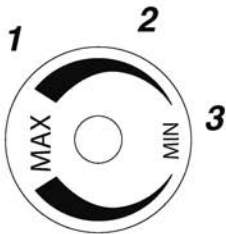
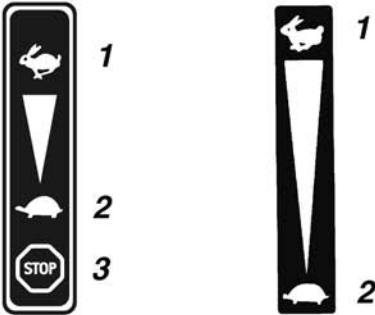
DEFINITION OF THE PICTOGRAMS



- WARNING**
Danger
- WARNING**
Rotating tools
- WARNING**
Read the User's Manual
- WARNING**
Consult the User's Manual and remove the sparkplug before performing any work.
- WARNING**
Do not use without protection (rotating elements).

Gas control

(depending on the engine)



- 1 - Fast
- 2 - Slow
- 3 - Stop



Reverse Forward

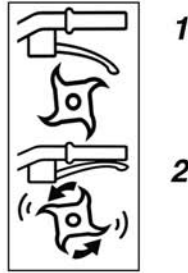


Reverse

Clutch lever

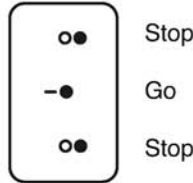


1 2



- 1 - Disengaged
- 2 - Engaged

Circuit cutout



- Stop
- Go
- Stop



Do not touch any hot surfaces.



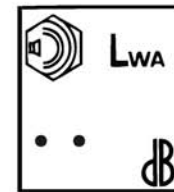
The exhaust gases are dangerous. Do not use in a poor ventilated area.



Switch off the engine before topping up the fuel.



Do not smoke, ignite a flame or approach with a naked flame.



Guaranteed sound power level



Wear a helmet with ear defenders.



Pictograms present or not depending on the model of the machine.

EN

DE

FR

ES

IT

NL

TECHNICAL INFORMATION

Machine model	MFT44 154	Acoustic pressure level at driver's seat (EN709 : 1997 / A4 : 2009)	dB(A)	92.3
Weight	kg 25	Measurement uncertainty	dB(A)	1
Engine model	LC154F	Measured acoustic pressure level (2000/14/CE)	dB(A)	92.3
Net output (*)	KW 2	Measurement uncertainty	dB(A)	0.5
For engine revolutions	rpm 4000	Vibration level transmitted to operator's hands (EN709 : 1997 / A4 : 2009)	m/s ²	3.2
Nominal power	KW 1.4	Measurement uncertainty	%	2
Nominal engine revolutions	rpm 3100			
Guaranteed acoustic pressure level	dB(A) 93			

* The engine power indicated in this document is the net output obtained by testing an engine from a production run according to Standard SAE J 1349 at a given speed of rotation. The power of another production run engine may differ from this indicated value. The actual power of an engine installed in a machine depends on various factors such as the speed of rotation, the temperature, humidity, atmospheric pressure and maintenance conditions and other factors.

UNPACKING / ASSEMBLY

EN

DE

FR

ES

IT

NL

NB: In his constant desire to improve his products, the manufacturer states that the whole of this manual is not contractual and reserves the right to modify the specifications of his machines without notice.

Unpacking

1.1

WARNING:
Take care not to cut the cables or scratch the machine's paintwork when cutting the edges of the case.

Ref.	Contents of the case
A	Engine block
B	Instructions and parts pouch
C	Single transport wheel*
D	Depth control spur
E	Handlebar brace
F	Handlebars
G	Double transport wheel*

(*depending on the version)

Assembling the machine

1.2

WARNING:
Inappropriate assembly of this rotary tiller could cause severe injuries. Ensure that you follow all the instructions carefully.

1 2 Fitting the depth control spur

3 4 5 Fitting the transport wheel
(depending on the version)

6 7 Fitting the handlebar support

8 9 10 Fitting the handlebars

12 11 13

14 15 Fitting the clutch lever

16 Storage location for the single wheel
(depending on the version)

17 Fitting the gas control
(depending on the engine)

18 19 Fitting the circuit cut-off
(depending on the engine)

20 Fitting the cable clamp



WARNING
After assembling the machine completely, tighten all the bolts and screws with moderation: do not overtighten

NB: Any dismantling operation must only be performed by an approved workshop.



1.3

Description of the elements

- 1 - ON / OFF switch *
- 2 - Engine *
- 3 - Protective sheet
- 4 - Rotary tools
- 5 - Transport wheel **
- 6 - Belt cover
- 7 - Clutch lever
- 8 - Gas control*
- 9 - Handlebar adjustment handle

* *(depending on the engine)*
** *(depending on the version)*



1.4

Machine identification plate

- A - Nominal power
- B - Weight in kilograms
- C - Serial number
- D - Year of manufacture
- E - Type of machine
- F - Manufacturer's name and address
- G - CE identification
- H - XX = Rotary tiller with IC engine



1.5

Transport wheel

A = Working position.
B = Transport position.

STARTING THE MACHINE



2.1

Filling with oil and checking the level



2.2

Topping up the petrol

Super or lead-free or SP95 E10.



2.3

Set the starter in position A



2.4

Set the contactor to: ON



2.5

Pull the handle on the ignition cord



When the machine starts, remain within the safety zone.



2.6

Starter

Set the starter to position B.

USE



← Forward

3.1



Maintain a safety zone of 20 m in radius around the machine.

EN

DE

FR

ES

STOPPING



← Stopping the cutting tools

4.1

Release the clutch lever.



← Stopping the engine

4.2

Set the contactor to:



IT

NL

MAINTENANCE TABLE

Daily checks

Before starting the engine, check the following points.

- There must be no loosened or broken nuts or bolts.



4.3

- Cleanliness of the air filter element.



Do not use inflammable solvent to clean the foam air filter element.



2.1

- Engine oil level.

- No leaks of petrol or engine oil.



2.2

- Sufficient petrol.

- Environment protection.

- No vibrations or excessive noise.

After the first 20 hours or every month

- Drain the engine oil

Every 50 hours or every 3 months

- Clean the air filter * (2 Fig. 4.3)

Every 100 hours or every 6 months

- Drain the engine oil
- Clean the fuel filter
- Clean the spark plug
- Clean the spark shield

Every 300 hours or once a year

- Replace the air filter *
- Replace the spark plug
- Set the tickover **
- Check the play in the valves **
- Clean the fuel filter **
- Clean combustion chamber **
- Check the fuel circuit **

* Clean more often in conditions of use where the air is dusty or laden with aerial debris.

** Not essential except in the event of performance problems (to be conducted by an approved workshop).

MOVING AND HANDLING

EN



5.1

← Handling

DE



With the engine stopped and cooled down.

FR

ES

IT

NL



5.2

← Moving



Stop the engine.

Fit the wheel on the stand in the movement position.

Lift the blades from the ground using the handlebars and then advance forwards.

SICHERHEITSVORSCHRIFTEN

Achten Sie besonders auf folgende Warnhinweise:



ACHTUNG: Weist auf die Gefahr schwerer Körperverletzung oder Lebensgefahr hin, wenn die Anweisungen nicht befolgt werden.

VORSICHT: Weist auf die Gefahr einer Körperverletzung oder Materialbeschädigung hin, wenn die Anweisungen nicht befolgt werden.

BITTE BEACHTEN: Liefert nützliche Informationen.



Dieses Symbol macht Sie darauf aufmerksam, dass bei bestimmten Arbeiten Vorsicht geboten ist.

Bei Problemen oder Fragen zur Motorhacke wenden Sie sich bitte an einen autorisierten Fachhändler.



ACHTUNG: Die Maschine arbeitet sicher und zuverlässig, wenn sie unter normalen Bedingungen und gemäß den Anweisungen benutzt wird. Lesen und verstehen Sie diese Anleitung, bevor Sie die Maschine in Gebrauch nehmen. Anderenfalls laufen Sie die Gefahr, verletzt zu werden und das Material zu beschädigen.

Kennenlernen / Informationen

- Machen Sie sich vor dem Gebrauch der Maschine mit ihrer Funktionsweise und Bedienung vertraut. Lernen Sie, wie man den Motor schnell abschaltet.
- Die Motorhacke sollte immer gemäß den in dieser Anleitung enthaltenen Empfehlungen und Vorschriften in Gebrauch genommen werden.
- Vergessen Sie nicht, dass der Bediener für Unfälle oder gefährliche Vorfälle, bei denen anderen Personen oder Gegenständen Schaden zugefügt wird, haftet. Es obliegt ihm deshalb, die potentiellen, mit dem zu bearbeitenden Gelände zusammenhängenden Gefahren auf seine Verantwortung einzuschätzen und die erforderlichen Sicherheitsmassnahmen vor allem bei Gefälle, unebenem, glattem oder lockerem Boden zu treffen.
- Lassen Sie die Maschine niemals von Kindern oder Personen benutzen, die mit ihrer Bedienung nicht vertraut sind. Gemäß den jeweiligen Landesvorschriften kann ein Mindestalter für den Benutzer vorgegeben sein.
- Arbeiten Sie niemals in unmittelbarer Anwesenheit von Personen, insbesondere von Kindern und Tieren: Ein Mindestabstand von 20 Metern sollte rund um die Maschine gegeben sein; der Benutzer muss unbedingt jederzeit eingriffbereit am Lenker bleiben.
- Nehmen Sie die Maschine nicht in Gebrauch, wenn Sie Medikamente oder Substanzen, die das Reaktionsvermögen und die Konzentration bekannterweise mindern, eingenommen haben.
- Auf hartem Gelände ist besondere Aufmerksamkeit geboten, denn die Maschine ist weniger standfest als auf einem Kulturland.
- Tragen Sie bei der Arbeit stets festes, rutschfestes Schuhwerk und eine lange, anliegende Hose. Die Maschine nicht barfuß oder mit Sandalen bedienen. Wir empfehlen das Tragen von Gehörschutz.
- Verwenden Sie die Motorhacke für Zwecke, für die sie bestimmt ist, d.h. zum Bearbeiten von Boden. Jeder andere Gebrauch kann gefährlich sein oder zur Beschädigung der Maschine führen.

Vorbereitung:

- Inspizieren Sie sorgfältig den Arbeitsbereich und entfernen sämtliche Gegenstände, die von der Maschine mitgerissen und geschleudert werden könnten (Steine, Drähte, Glas, Metallgegenstände usw.).
- Vor dem Gebrauch sichten Sie die Maschine auf abgenutzte oder beschädigte Werkzeuge und Deflektoren. Lassen Sie abgenutzte oder beschädigte Teile auswechseln.
- Besitzt die Maschine einen Motorabschaltknopf, halten Sie die elektrischen Motorabschaltkabel in einwandfreiem Zustand, damit das Abschaltssystem funktionstüchtig bleibt.
- Kontrollieren Sie, dass keine Leckage vorliegt (Benzin, Öl usw.).
- Benutzen Sie die Maschine nicht ohne Kotflügel oder Schutzbleche und vergewissern sich, dass alle Befestigungen fest sitzen.

Gebrauch:

- Die Maschine niemals zum Transport von Personen verwenden.
- Starten Sie den Motor behutsam gemäß den Anweisungen des Herstellers und halten die Füße fern von den Arbeitswerkzeugen.
- Stellen Sie den Motor ab, wenn die Maschine unbeaufsichtigt bleibt.
- Laufen Sie niemals, sondern gehen mit der Maschine.
- Ziehen Sie die Motorhacke zu sich oder führen den Richtungswechsel mit größter Vorsicht durch (bei vorhandener Option).
- Halten Sie stets einen Sicherheitsabstand zu den rotierenden Werkzeugen: Der Abstand ist durch die Länge des Lenkers vorgegeben.
- Bringen Sie Ihre Hände und Füße niemals in die Nähe oder unter die rotierenden Bauteile.
- Bei:
 - ungewöhnlicher Vibration
 - Feststecken
 - Problemen mit der Kupplung
 - Aufprall auf einen Fremdkörper
 - Beschädigung des Motorabschaltkabels (je nach Modell):
- Schalten Sie den Motor sofort ab (ist das Motorabschaltkabel gerissen, betätigen Sie den Chokehebel wie im Abschnitt "Ingangsetzung" beschrieben, um den Motor abzustellen). Lassen Sie die Motorhacke abkühlen, trennen den Kerzendraht, inspizieren die Maschine und lassen vor einem erneuten Gebrauch die notwendigen Reparaturen von einem autorisierten Reparaturdienst durchführen.
- Arbeiten Sie nur bei Tageslicht oder bei ausreichender Beleuchtung.
- Nehmen Sie die Maschine nicht auf Gefällen über 10° (17%) in Gebrauch.
- Arbeiten Sie stets quer zum Hang, niemals auf- oder abwärts.
- Bei Gefälle achten Sie auf sicheren Gang und führen Richtungswechsel mit größter Vorsicht durch.
- Das Verwenden von anderem als empfohlenem Zubehör kann gefährlich sein und zu Maschinenschäden führen, die von der Garantie ausgeschlossen sind.

Instandhaltung / Lagerung

- Vor Reinigung, Kontrolle, Werkzeugwechsel, Einstellung und Instandhaltung der Maschine schalten Sie den Motor ab und trennen den Kerzendraht.
- Stellen Sie den Motor ab, trennen die Kerze und tragen zum Werkzeugwechsel dicke Schutzhandschuhe.

- Für einen sicheren Betrieb achten Sie darauf, dass alle Muttern und Schrauben fest sitzen.
- Zur Senkung der Brandgefahr halten Sie den Motor, den Schalldämpfer und den Abstellbereich frei von Pflanzen, Fettrückständen und sonstigen entzündlichen Stoffen.
- Lassen Sie beschädigte Schalldämpfer nur von einem autorisierten Reparaturdienst auswechseln.
- Nehmen Sie keine Reparaturen vor, sondern lassen gegen Originalersatzteile austauschen.
- Wechseln Sie die Werkzeuge durch komplette Bausätze aus, damit die Auswuchtung erhalten bleibt.
- Zu Ihrer Sicherheit nehmen Sie keine Umbauten vor, die die Merkmale Ihrer Maschine verändern. Verstellen Sie nicht die Drehzahlregelung des Motors und lassen den Motor nicht bei Überdrehzahl laufen. Eine regelmäßige Instandhaltung ist für die Sicherheit und die Erhaltung der Leistungen von wesentlicher Bedeutung.
- Lassen Sie den Motor abkühlen, bevor Sie die Motorhacke in einem Raum abstellen.

Achtung Gefahr: Benzin ist hochentzündlich

- Bewahren Sie Treibstoff in speziell dafür vorgesehenen Behältern auf. Füllen Sie Treibstoff unbedingt nur im Freien ein und rauchen nicht währenddessen.
- Entfernen Sie niemals den Tankverschluss, und füllen Sie Benzin in keinem Fall bei laufendem oder warmem Motor ein.
- Ist Benzin auf den Boden ausgelaufen, versuchen Sie nicht, den Motor einzuschalten, sondern entfernen die Motorhacke aus dem betroffenen Bereich, bis die Benzindämpfe sich aufgelöst haben, um einer Entzündung vorzubeugen.
- Stellen Sie die Maschine an einem trockenen Ort ab. Lagern Sie die Motorhacke niemals in einem Raum, in dem Benzindämpfe eine Flamme, einen Funken oder eine starke Hitzequelle erreichen könnten.
- Setzen Sie den Tankverschluss und den Verschluss des Benzinvorratsbehälters richtig ein.
- Füllen Sie nicht zu viel Benzin ein, um Spritzer zu vermeiden.
- Lassen Sie den Motor nicht in einem engen Raum laufen, in dem Kohlenmonoxiddämpfe entstehen könnten.
- Kohlenmonoxid kann lebensgefährlich sein. Sorgen Sie für ausreichende Belüftung.

Heben, Bewegen, Transportieren

- Mit Ausnahme des Arbeitsbetriebs müssen sämtliche Arbeiten an der Maschine mit abgeschaltetem Motor und getrennter Kerze durchgeführt werden.
- Die Motorhacke muss (außer im Arbeitsbetrieb) mit dem Transportrad - wie im Abschnitt "Heben und Bewegen" beschrieben - bewegt werden.
- Heben: Zum Heben der Maschine die Anweisungen des Abschnitts Heben beachten. Das Gewicht der Maschine ist auf dem Typenschild und am Ende dieser Anleitung angegeben. Zu Ihrer Sicherheit benutzen Sie eine Hebemethode, die für das Maschinengewicht und die gegebene Situation geeignet ist.
- Zum Auf- bzw. Entladen der Motorhacke von einem Anhänger ist unbedingt eine geeignete Laderampe zu benutzen. Für einen sicheren Transport achten Sie darauf, dass die Maschine ordentlich verzurrt ist.
- Die Motorhacke muss mit abgeschaltetem Motor und getrennter Kerze auf einem Anhänger transportiert werden. Verwenden Sie keine anderen Transportmittel.

EN

DE

FR

ES

IT

NL

ERLÄUTERUNG DER PIKTOGRAMME

EN

DE

FR

ES

IT

NL



ACHTUNG
Gefahr



ACHTUNG
Rotierende Werkzeuge



ACHTUNG
Betriebsanleitung lesen



ACHTUNG
Vor den Arbeiten
Betriebsanleitung
lesen und Kerze entfernen.



ACHTUNG
Nicht ohne
Schutzvorrichtung in
Gebrauch nehmen
(rotierende Bauteile).

Schalthebel

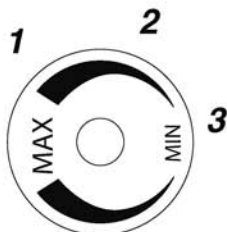
(je nach Motorisierung)



1
2
3



1
2



1 - Schnell
2 - Langsam
3 - Stop.



Rückwärtsgang Vorwärtsgang



Rückwärtsgang

Kupplungshebel



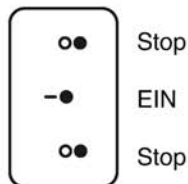
1 2



1
2

1 - Ausgekuppelt
2 - Eingekuppelt

Sicherheitsabschaltung



Stop
EIN
Stop



Heiße Flächen nicht
berühren.



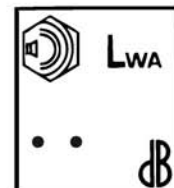
Auspuffgase sind
gefährlich. In Räumen
mit unzureichender
Belüftung nicht in
Gebrauch nehmen



Vor dem Einfüllen von
Benzin Motor
abschalten.



Rauchen verboten. Kein
Feuer anzünden und
keine Flammen in die
Nähe bringen.



Garantierte
schalipegel



Gehörschutz tragen.



Die Piktogramme variieren je nach Maschinenmodell.

TECHNISCHE DATEN

Maschinenmodell	MFT44 154	Schalldruckpegel am Bedienstand (EN709 : 1997 / A4 : 2009)	dB(A)	92.3
Maschinenmodell	kg 25	Messunsicherheit	dB(A)	1
Motormodell	LC154F	Gemessener Schalleistungspegel (2000/14/CE)	dB(A)	92.3
Nutzleistung (*)	KW 2	Messunsicherheit	dB(A)	0.5
bei Motordrehzahl	U/Min. 4000	Hand-/Arm-Schwingungen (EN709 : 1997 / A4 : 2009)	m/s ²	3.2
Nennleistung	KW 1.4	Messunsicherheit	%	2
Motornenn Drehzahl	U/Min. 3100			
Garantierter Schalleistungspegel	dB(A) 93			

* Die hier angegebene Motorleistung entspricht einer Nutzleistung, die in einer Prüfung an einem Serienmotor gemäß Norm SAE J 1349 bei einer bestimmten Drehzahl erzielt wurde. Die Leistung eines anderen Produktionsmotors kann von dem hier angegebenen Wert abweichen. Die effektive Leistung eines in einer Maschine eingebauten Motors hängt von verschiedenen Faktoren wie Drehzahl, Temperatur, Feuchtigkeit, Luftdruck, Wartung usw. ab.

LIEFERUMFANG / ZUSAMMENBAU

HINWEIS: Um die ständige Verbesserung bemüht, macht der Hersteller darauf aufmerksam, dass diese Anleitung in Gänze unverbindlich ist, und behält sich das Recht vor, die Merkmale seiner Maschinen ohne Vorankündigung zu ändern.

1.1 Lieferumfang

ACHTUNG: Beim Durchschneiden der Verpackung achten Sie darauf, dass die Kabel und die Lackierung der Maschine nicht beschädigt werden.

Pos.	Inhalt
A	Motorblock
B	Beutel mit Anleitungen + Teilen
C	Einfaches Transportrad*
D	Bremssporn
E	Lenkersteg
F	Lenkholme
G	Doppeltes Transportrad*

(*je nach Ausführungsvariante)

1.2 Montage der Maschine

ACHTUNG: Ein falscher Zusammenbau der Motorhacke kann zu schweren Verletzungen führen. Befolgen Sie unbedingt alle Anweisungen sorgfältig.

1 2 Montage des Bremssporns

3 4 5 Montage des Transportrades (je nach Ausführungsvariante)

6 7 Montage des Lenkerhalters

8 9 10 Montage des Lenkers

12 11 13

14 15 Montage des Kupplungshebels

16 Stauplatz des Einfachrades (je nach Ausführungsvariante)

17 Montage des Gashebels (je nach Motorisierung)

18 19 Montage der Sicherheitsabschaltung (je nach Motorisierung)

20 Montage der Kabelklemmen

ACHTUNG Alle Schrauben nach ausgeführtem Zusammenbau der ganzen Maschine gut, aber mäßig festziehen.

HINWEIS: Ausbauarbeiten müssen unbedingt von einer autorisierten Werkstatt durchgeführt werden.

1.3 Beschreibung der Bauteile

- 1 - EIN / AUS Schalter *
- 2 - Motor *
- 3 - Schutzblech
- 4 - Rotierende Werkzeuge
- 5 - Transportrad **
- 6 - Riemenschutzhaube
- 7 - Kupplungsgriff
- 8 - Gashebel*
- 9 - Lenker-Einstellhebel

* (je nach Motorisierung)

** (je nach Ausführungsvariante)

1.4 Typenschild der Maschine

- A - Nennleistung
- B - Gewicht in Kilogramm
- C - Seriennummer
- D - Baujahr
- E - Bautyp der Maschine
- F - Name und Adresse des Herstellers
- G - CE-Kennzeichnung
- H - XX = Мотокултиватор с топлинен двигател

1.5 Transportrad

- A = Arbeitsstellung
- B = Transportstellung

EN

DE

FR

ES

IT

NL

INGANGSETZUNG

2.1 Einfüllen von Öl und Ölstandskontrolle

2.2 Einfüllen von Benzin

Super oder Bleifrei oder SP95 E10.

2.3 Stellen des Chokes auf A

2.4 Schalter in die Stellung:

2.5 Ziehen des Anlassergriffs

ACHTUNG: Beim Starten der Maschine unbedingt immer einen Sicherheitsabstand einhalten.

2.6 Choke

Stellen des Chokes auf B.

BETRIEB

EN



← Vorwärtsgang

DE



Einen Sicherheitsabstand von 20 m rund um die Maschine einhalten.

FR

ES

IT

ABSCHALTUNG

NL



← Abschalten der Hackmesser

Kupplungshebel loslassen.



← Abschalten des Motors

Schalter in die Stellung: ○ ●

INSTANDHALTUNGSTABELLE

Tägliche Kontrollen

Vor dem Ingangsetzen des Motors folgende Punkte überprüfen:

- Keine losen oder gebrochenen Schrauben und Muttern



← Sauberkeit des Luftfilterelements.



Das Schaumelement des Luftfilters mit keinen entzündlichen Lösungsmitteln reinigen.



← Füllstand des sauberen Motoröls

- Keine Benzin- und Ölleckagen.



← Ausreichender Benzinfüllstand

- Sichere Umgebung.

- Keine Vibrationen und keine übermäßigen Betriebsgeräusche.

Nach den ersten 20 Stunden oder monatlich

- Motoröl wechseln.

Alle 50 Stunden oder alle 3 Monate

- Luftfilter reinigen* (2 Abb. 4.3).

Alle 100 Stunden oder alle 6 Monate

- Motoröl wechseln.
- Kraftstofffilter reinigen.
- Kerze reinigen.
- Schutzblech reinigen.

Alle 300 Stunden oder einmal jährlich

- Luftfilter wechseln*.
- Kerze wechseln.
- Leerlauf einstellen**.
- Ventilspiel kontrollieren**.
- Kraftstofffilter reinigen**.
- Verbrennungskammer reinigen**.
- Kraftstoffanlage kontrollieren**.

* Bei Betrieb in staubiger oder schadstoffbelasteter Atmosphäre häufiger reinigen

** Nicht unerlässlich außer bei Problemen mit der Leistung (von einer autorisierten Werkstatt durchführen lassen).

HEBEN UND BEWEGEN



← **Wartung**

5.1



Motor abgeschaltet und abgekühlt.



← **Bewegen**

5.2



Motor abschalten.

Das Rad auf den Sporn in der Fahrposition montieren.

Hackmesser mit Hilfe des Lenkers vom Boden abheben und Maschine vorwärts bewegen.

EN

DE

FR

ES

IT

NL

CONSIGNES DE SÉCURITÉ

Attacher une attention particulière aux indications précédées des mentions suivantes:

EN



ATTENTION : Signale une forte probabilité de blessures corporelles graves, voir un danger mortel si les instructions ne sont pas suivies.

DE

FR

PRÉCAUTION : Signale une possibilité de blessures corporelles ou de détérioration de l'équipement si les instructions ne sont pas suivies.

ES

NOTE : Fournit des informations utiles.



Ce signe vous appelle à la prudence lors de certaines opérations.

IT

En cas de problème, ou pour toutes questions concernant la motobineuse, veuillez vous adresser à un concessionnaire agréé.

NL



ATTENTION : La machine est conçue pour assurer un service sûr et fiable dans des conditions d'utilisation conformes aux instructions. Avant d'utiliser votre machine, veuillez lire et assimiler le contenu de ce manuel. A défaut, vous vous exposeriez à des blessures et l'équipement pourrait être endommagé.

Formation / Informations

- Se familiariser avec l'utilisation correcte et les commandes avant d'utiliser la machine. Savoir arrêter le moteur rapidement.
- La machine doit toujours être utilisée suivant les recommandations indiquées dans la notice d'instructions.
- Ne pas oublier que l'utilisateur est responsable des accidents ou des phénomènes dangereux survenant aux autres personnes ou à leurs biens. Il est de sa responsabilité d'évaluer les risques potentiels du terrain à travailler et de prendre toutes les précautions nécessaires pour assurer sa sécurité, en particulier dans les pentes, les sols accidentés, glissants ou meubles.
- Ne jamais laisser les enfants, ou des personnes non familières avec ces instructions, utiliser la machine. Les réglementations locales peuvent fixer un âge minimal pour l'utilisateur.
- Ne jamais travailler en présence de personnes, en particulier d'enfants, ou d'animaux dans un rayon de 20 mètres autour de la machine; l'utilisateur devant rester impérativement aux commandes des mancherons.
- Ne pas utiliser la machine après avoir absorbé des médicaments ou des substances, réputées comme pouvant nuire à sa capacité de réflexe et de vigilance.
- Dans un terrain dur, avoir une attention plus particulière car la machine aura tendance à être beaucoup moins stable qu'en terrain cultivé.
- Pendant le travail, porter toujours des chaussures résistantes, non dérapantes et des pantalons longs et serrés. Ne pas utiliser la machine lorsque l'on est pieds nus ou en sandales. Nous recommandons le port de protections auditives.
- Utiliser la machine pour l'usage auquel elle est destinée, à savoir la culture du sol. Toute autre utilisation peut s'avérer dangereuse ou entraîner une détérioration de la machine.

Préparation :

- Inspecter minutieusement la zone sur laquelle la machine doit être utilisée et éliminer tous les objets qui pourraient être projetés par la machine (pierres, fils, verre, objets en métal...).
- Avant utilisation, toujours procéder à un contrôle visuel de la machine pour s'assurer que les outils et les déflecteurs ne sont ni usés ni endommagés. Faire remplacer les pièces usées ou endommagées.
- Si la machine est équipée d'un bouton d'arrêt moteur, maintenir les câbles électriques d'arrêt moteur en bon état de façon à garantir l'arrêt moteur.
- Vérifier l'absence de fuite de liquide (essence, huile...)
- Ne pas utiliser la machine sans garde-boue ou capots de protection et s'assurer que tous les dispositifs de fixation sont bien serrés.

Utilisation :

- Ne jamais transporter de personnes sur la machine.
- Démarrer le moteur avec précaution en respectant les instructions du fabricant et en maintenant les pieds éloignés de l'(des) outil(s).
- Arrêter le moteur quand la machine est sans surveillance.
- Marcher, ne jamais courir avec la machine.
- Tirer la machine vers soi ou inverser le sens de marche (si disponible) avec beaucoup de précautions.
- Conserver la distance de sécurité par rapport aux outils rotatifs, donnée par la longueur du guidon.
- Ne pas placer les mains ou les pieds près ou sous des éléments en rotation.
- En cas de :
 - vibration anormale,
 - blocage,
 - problème d'embrayage,
 - choc avec un objet étranger,
 - détérioration du câble d'arrêt moteur (suivant modèle),
- Arrêter le moteur immédiatement (si le câble d'arrêt moteur est coupé, actionner la commande du starter comme décrit au § "démarrage moteur" pour arrêter le moteur), laisser la machine refroidir, débrancher le fil de bougie, inspecter la machine et faire effectuer les réparations nécessaires par un réparateur agréé avant toute nouvelle utilisation.
- Travailler uniquement à la lumière du jour ou dans une lumière artificielle de bonne qualité.
- Ne pas utiliser la machine dans des pentes supérieures à 10° (17%).
- Travailler les pentes dans le sens transversal, jamais en montant ou en descendant.
- Sur les terrains pentus, bien assurer ses pas, changer de direction avec beaucoup de précautions.
- L'utilisation d'accessoires autres que ceux recommandés peut rendre la machine dangereuse, et occasionner des dommages sur votre machine qui ne seront pas couverts par votre garantie.

Maintenance / stockage

- Arrêter le moteur et débrancher la bougie avant toute opération de nettoyage, de vérification, de changement d'outil(s), de réglage ou d'entretien de la machine.
- Arrêter le moteur, débrancher la bougie et utiliser des gants épais pour changer l(es) outil(s).

- Maintenir tous les écrous et vis serrés afin d'assurer des conditions d'utilisation sûres.
- Pour réduire les risques d'incendie, maintenir le moteur, le silencieux, et la zone de stockage de l'essence dégagés de végétaux, d'excès de graisse, ou de toute autre matière susceptible de s'enflammer.
- Faire remplacer les silencieux d'échappement défectueux par un réparateur agréé.
- Ne pas réparer les pièces. Faire remplacer les pièces par des pièces d'origine.
- Remplacer les outils par des lots complets afin de préserver l'équilibre.
- Pour votre sécurité ne pas modifier les caractéristiques de votre machine. Ne pas modifier les réglages de régulation de vitesse du moteur et ne pas utiliser le moteur en survitesse. Un entretien régulier est essentiel pour la sécurité et le maintien du niveau de performances.
- Laisser le moteur refroidir avant de ranger la machine dans un local.

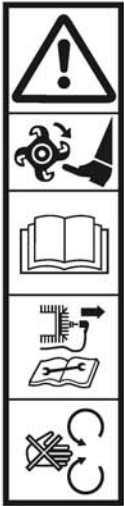
Attention danger l'essence est hautement inflammable :

- Stocker le carburant dans des récipients spécialement prévus à cet effet. Faire le plein à l'extérieur uniquement et ne pas fumer pendant cette opération.
- Ne jamais enlever le bouchon du réservoir d'essence ou ajouter de l'essence pendant que le moteur tourne ou tant qu'il est chaud.
- Si de l'essence a été répandue sur le sol, ne pas tenter de démarrer le moteur mais éloigner la machine de cette zone et éviter de provoquer toute inflammation tant que les vapeurs d'essence ne sont pas dissipées.
- Entreposer la machine dans un endroit sec. Ne jamais entreposer la machine dans un local où les vapeurs d'essence pourraient atteindre une flamme, une étincelle ou une forte source de chaleur.
- Remettre correctement en place les bouchons du réservoir et de la nourrice d'essence.
- Limiter la quantité d'essence dans le réservoir pour minimiser les éclaboussures.
- Ne pas faire tourner le moteur dans un endroit confiné où les vapeurs de monoxyde de carbone peuvent s'accumuler.
- Le monoxyde de carbone peut être mortel. Assurer une bonne ventilation.

Déplacement, manutention, transport.

- Toute action sur la machine hors du travail du sol doit s'effectuer moteur arrêté et bougie débranchée.
- Le déplacement (hors travail du sol) doit s'effectuer en utilisant la roue de transport comme décrit au § "Déplacement".
- Manutention : pour soulever la machine respecter les instructions du § "Manutention". Le poids de la machine est indiqué sur la plaque constructeur et à la fin de ce manuel. Utiliser une méthode de manutention adaptée au poids de la machine et à la situation afin de garantir la sécurité.
- Arrimer correctement la machine pour un transport en toute sécurité.
- Le transport doit s'effectuer moteur arrêté et bougie débranchée à l'aide d'une remorque, n'utiliser aucun autre moyen de transport.

DEFINITION DES PICTOGRAMMES



ATTENTION
Danger

ATTENTION
Outils rotatifs

ATTENTION
Lire le manuel d'utilisation

ATTENTION
Consulter le manuel d'utilisation et déposer la bougie avant toute intervention.

ATTENTION
Ne pas utiliser sans protecteur (éléments tournants).



Marche arrière

Marche avant



Marche arrière

Manette embrayage



1

2



1 - Débrayé
2 - Embrayé

Coupe circuit



Stop



Marche



Stop



Ne pas toucher aux surfaces chaudes.



Les gaz d'échappement sont dangereux. Ne pas utiliser dans un endroit mal aéré.



Couper le moteur avant de refaire le plein.



Interdit de fumer, de faire ou d'approcher du feu.



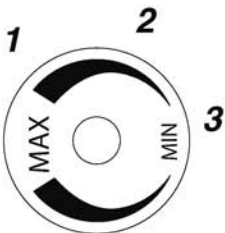
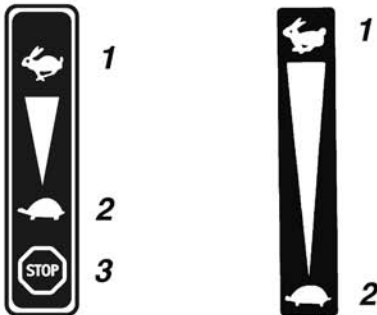
Puissance acoustique garantie.



Portez un casque anti-bruit.

Commande de gaz

(suivant motorisation)



1 - Rapide
2 - Lent
3 - Stop



Pictogrammes présents ou non suivant le modèle de machine.

INFORMATIONS TECHNIQUES

Modèle machine	MFT44 154	Niveau de pression acoustique au poste de conduite (EN709 : 1997 / A4 : 2009)	dB(A)	92.3
Poids	kg 25	Incertitude de mesure	dB(A)	1
Modèle moteur	LC154F	Niveau de puissance acoustique mesurée (2000/14/CE)	dB(A)	92.3
Puissance nette (*)	KW 2	Incertitude de mesure	dB(A)	0.5
pour un régime moteur	tr/mn 4000	Niveau de vibrations aux mains de l'opérateur (EN709 : 1997 / A4 : 2009)	m/s ²	3.2
Puissance nominale	KW 1.4	Incertitude de mesure	%	2
Régime moteur nominal	tr/mn 3100			
Niveau de puissance acoustique garantie	dB(A) 93			

* La puissance du moteur indiquée dans ce document est une puissance nette obtenue par l'essai d'un moteur de série selon la norme SAE J 1349 à une vitesse de rotation donnée. La puissance d'un autre moteur de production peut être différente de cette valeur indiquée. La puissance réelle d'un moteur installé sur une machine dépendra de différents facteurs comme la vitesse de rotation, les conditions de température, d'humidité, de pression atmosphérique, de maintenance et autres.

EN

DE

FR

ES

IT

NL

DEBALLAGE / ASSEMBLAGE

EN

DE

FR

ES

IT

NL

NOTA: Dans un souci permanent d'amélioration, le constructeur précise que l'intégralité de ce manuel n'est pas contractuelle, et se réserve le droit de modifier sans prévenir, les spécifications de ses machines.



Déballage



ATTENTION :
Un assemblage inapproprié de cette motobineuse peut provoquer des blessures graves. Assurez-vous de suivre toutes les instructions soigneusement.



ATTENTION :
Prendre garde à ne pas couper les câbles ou à rayer la peinture de la machine en coupant les arêtes de la caisse.

Rep.	Contenu de la caisse
A	Bloc moteur
B	Pochette notices + pièces
C	Roue de transport simple*
D	Eperon de terrage
E	Entretoise guidon
F	Guidons
G	Roue de transport double*

(*Suivant version)



Montage de la machine



ATTENTION: Un assemblage inapproprié de cette motobineuse peut provoquer des blessures graves. Assurez-vous de suivre toutes les instructions soigneusement.



2 Montage éperon de terrage



4 5 Montage roue de transport (Suivant version)



7 Montage support guidon



9 10 Montage guidon



11 13



15 Montage Levier d'embrayage



Emplacement stockage roue simple (Suivant version)



Montage commande de gaz (Suivant motorisation)



19 Montage coupe circuit (Suivant motorisation)



Montage serre câbles



ATTENTION
Après l'assemblage complet de la machine, procéder à un serrage ferme, mais modéré de toute la visserie.

NOTA: Toutes opérations de démontage doit être effectué par un atelier agréé.



Description des éléments

- 1 - Contacteur marche arrêt *
- 2 - Moteur *
- 3 - Tôle de protection
- 4 - Outils rotatifs
- 5 - Roue de transport **
- 6 - Capot de courroie
- 7 - Levier d'embrayage
- 8 - Commande de gaz *
- 9 - Poignée réglage guidon

*suivant motorisation

**suivant version



Plaque d'identification de la machine

- A - Puissance nominale
- B - Masse en kilogrammes
- C - Numéro de série
- D - Année de fabrication
- E - Type de la machine
- F - Nom et adresse du constructeur
- G - Identification CE
- H - XX = Motobineuse à moteur thermique



Roue de transport

A = Position travail.
B = Position transport.

DEMARRAGE MACHINE



Plein d'huile et niveau



Plein d'essence

Super ou sans plomb ou SP95 E10.



Mettre le starter sur la position A



Mettre le contacteur sur : — ●



Tirer sur la poignée du lanceur



Lors du démarrage de la machine toujours rester dans la zone de sécurité.



Starter

Mettre le starter sur la position B.

UTILISATION



← Marche avant

3.1



Respecter une zone de sécurité de 20 m de rayon autour de la machine.

EN

DE

FR

ES

IT

NL

ARRÊT



← Arrêt outils fraise

4.1

Relâcher le levier d'embrayage.



← Arrêt moteur

4.2

Mettre la contacteur sur : 

TABLEAU D'ENTRETIEN

Contrôles quotidiens

Avant de mettre le moteur en marche, vérifier les points suivants.

- Absence de boulons et écrous desserrés ou cassés.



4.3

← ■ Propreté de l'élément du filtre à air.



Ne pas utiliser de solvant inflammable pour nettoyer l'élément mousse du filtre à air.



2.1

← ■ Niveau d'huile moteur propre.

- Absence de fuites d'essence et d'huile moteur.



2.2

← ■ Niveau d'essence suffisant.

- Sécurité de l'environnement.

- Absence de vibrations et de bruits excessifs.

Après les 20 premières heures ou tous les mois

- Vidanger l'huile moteur

Toutes les 50 heures ou tous les 3 mois

- Nettoyer le filtre à air * (2 Fig. 4.3)

Toutes les 100 heures ou tous les 6 mois

- Vidanger l'huile moteur
- Nettoyer le filtre à carburant
- Nettoyer la bougie
- Nettoyer le pare-étincelles

Toutes les 300 heures ou une fois par an

- Remplacer le filtre à air *
- Remplacer la bougie
- Régler le ralenti **
- Contrôler le jeu des soupapes **
- Nettoyer le filtre à carburant **
- Nettoyer la chambre de combustion **
- Contrôler le circuit carburant **

* Nettoyer plus souvent dans des conditions d'utilisation en atmosphère poussiéreuse ou chargée de débris aériens.

** Pas indispensable sauf en cas de problèmes de performances (à réaliser par un atelier agréé).

DÉPLACEMENT ET MANUTENTION

EN



← Manutention



← Déplacement

DE



Moteur à l'arrêt et refroidi.



Arrêter le moteur.

FR

ES

IT

NL

Monter la roue sur la béquille en position déplacement.

A l'aide du guidon soulever les fraises du sol et avancer.

CONSIGNAS DE SEGURIDAD

Prestar especial atención a las indicaciones precedidas de las menciones siguientes:



ATENCIÓN: Indica una alta probabilidad de lesiones corporales graves, incluso un peligro mortal si no se siguen las instrucciones.

PRECAUCIÓN: Indica una posibilidad de lesiones corporales o de deterioro del equipo si no se siguen las instrucciones

NOTA: Proporciona información útil.



Este símbolo apela a la prudencia al realizar algunas operaciones.

En caso de problemas o para cualquier pregunta relativa a la motoazada, dirigirse a un concesionario autorizado.



ATENCIÓN: La máquina se ha concebido para garantizar un servicio seguro y fiable en condiciones de uso conformes con las instrucciones. Antes de utilizar la máquina, leer y asimilar el contenido de este manual. En su defecto, podría verse expuesto a lesiones y el equipo podría resultar dañado.

Formación / Información

- Familiarizarse con el uso correcto y los mandos antes de utilizar la máquina. Saber detener el motor rápidamente.
- La máquina debe utilizarse siempre de acuerdo con las recomendaciones indicadas en el manual de instrucciones.
- No olvidar que el usuario es responsable de los accidentes o fenómenos peligrosos que ocurran a las demás personas o a sus bienes. Es su responsabilidad evaluar los riesgos potenciales del terreno a trabajar y tomar todas las precauciones necesarias para garantizar su seguridad, en particular en las pendientes, los suelos accidentados, resbaladizos o blandos.
- No permitir en ningún caso que los niños o las personas no familiarizadas con estas instrucciones utilicen la máquina. Las normativas locales pueden establecer una edad mínima del usuario de la máquina.
- No trabajar en ningún caso en presencia de personas, en particular niños o animales, que se encuentren en un radio de 20 metros en torno a la máquina; el usuario debe permanecer imperativamente al mando de los manillares.
- No utilizar la máquina tras haber ingerido medicamentos o sustancias que se considere que pueden perjudicar la capacidad de reflejos y de vigilancia.
- Prestar especial atención en terrenos duros, ya que la máquina tendrá tendencia a ser mucho menos estable que en terrenos cultivados.
- Durante el trabajo, llevar siempre calzado resistente y antideslizante, y pantalones largos y ceñidos. No utilizar la máquina cuando se esté descalzo o se lleven sandalias. Recomendamos el uso de protectores auditivos.
- Utilizar la máquina para su uso previsto, es decir, el cultivo del suelo. Cualquier otro uso puede resultar peligroso o entrañar el deterioro de la máquina.

Preparación:

- Inspeccionar minuciosamente la zona en la que vaya a utilizarse la máquina y eliminar todos los objetos que puedan ser proyectados por la misma (piedras, cables, cristales, objetos de metal...).
- Antes de utilizar la máquina, realizar siempre un control visual de la misma para garantizar que las herramientas y los deflectores no estén usados ni estropeados. Reemplazar las piezas usadas o estropeadas.
- Si la máquina está provista de un botón de parada del motor, mantener los cables eléctricos de parada del motor en buen estado de manera que se garantice la parada del motor.
- Verificar la ausencia de fugas de líquido (gasolina, aceite...).
- No utilizar la máquina sin guardabarros o tapas de protección y asegurarse de que todos los dispositivos de fijación estén bien apretados.

Uso :

- No transportar nunca personas en la máquina.
- Arrancar el motor con precaución, respetando las instrucciones del fabricante y manteniendo los pies alejados de la(s) herramienta(s).
- Detener el motor cuando la máquina no esté bajo vigilancia.
- Caminar con la máquina, pero no correr con ella en ningún caso.
- Tirar de la máquina hacia uno mismo o invertir el sentido de la marcha (en caso de que esta opción esté disponible) con mucha precaución.
- Conservar la distancia de seguridad en relación con las herramientas rotativas, en función de la longitud del manillar.
- No colocar las manos ni los pies cerca de los elementos en rotación o debajo de ellos.
- En caso de:
 - vibración anormal,
 - bloqueo,
 - problema de embrague,
 - choque con un objeto extraño,
 - deterioro del cable de parada del motor (según modelo),
- Detener el motor inmediatamente (si el cable de parada del motor está cortado, accionar el mando del estarter, tal y como se describe en § "arranque del motor" para detener el motor), dejar que la máquina se enfríe, desenchufar el cable de bujía, inspeccionar la máquina y ponerse en contacto con un reparador autorizado para que efectúe las reparaciones necesarias antes de volver a utilizar la máquina.
- Trabajar únicamente con la luz del día o con una luz artificial de buena calidad.
- No utilizar la máquina en pendientes superiores a 10° (17 %).
- Trabajar las pendientes en sentido transversal, nunca en ascenso o en descenso.
- En terrenos inclinados, asegurar correctamente los pasos, cambiar de dirección con mucha precaución.
- El uso de accesorios distintos de los recomendados puede hacer que la máquina sea peligrosa y ocasionar daños en la misma que no estarán cubiertos por la garantía.

Mantenimiento / almacenamiento

- Detener el motor y desenchufar la bujía antes de realizar cualquier operación de limpieza, verificación, cambio de herramienta(s), ajuste o mantenimiento de la máquina.
- Detener el motor, desenchufar la bujía y utilizar guantes gruesos para cambiar la(s) herramienta(s).

- Mantener todas las tuercas y los tornillos apretados con el fin de garantizar unas condiciones de uso seguras.
- Para reducir los riesgos de incendio, mantener el motor, el silenciador y la zona de almacenamiento de gasolina libres de vegetación, exceso de grasa o cualquier otra materia susceptible de inflamarse.
- Ponerse en contacto con un reparador autorizado para que reemplace los silenciadores de escape defectuosos.
- No reparar las piezas. Reemplazar las piezas por piezas originales.
- Reemplazar las herramientas por lotes completos con el fin de preservar el equilibrio.
- Por su seguridad, no modificar las características de la máquina. No modificar los ajustes de regulación de velocidad del motor ni utilizar el motor a una velocidad excesiva. Es esencial realizar un mantenimiento regular para garantizar la seguridad y el mantenimiento del nivel de rendimiento.
- Dejar que el motor se enfríe antes de guardar la máquina en un local.

Atención, peligro, la gasolina es sumamente inflamable:

- Almacenar el carburante en recipientes especialmente previstos a este efecto. Llenar el depósito en el exterior únicamente y no fumar al realizar esta operación.
- No retirar en ningún caso el tapón del depósito de gasolina ni añadir gasolina mientras que el motor esté funcionando o esté caliente.
- Si se derrama gasolina por el suelo, no intentar arrancar el motor, sino alejar la máquina de esta zona y evitar provocar inflamaciones hasta que se hayan disipado los vapores de gasolina.
- Depositar la máquina en un lugar seco. No depositar la máquina en ningún caso en un local donde los vapores de gasolina puedan alcanzar una llama, una chispa o una fuente fuerte de calor.
- Colocar correctamente en su sitio los tapones del depósito y del alimentador de gasolina.
- Limitar la cantidad de gasolina en el depósito para reducir al mínimo las salpicaduras.
- No poner en funcionamiento el motor en un lugar viciado donde puedan acumularse los vapores de monóxido de carbono.
- El monóxido de carbono puede ser mortal. Asegurar una buena ventilación.

Desplazamiento, manutención, transporte.

- Cualquier acción que se efectúe en la máquina, al margen del trabajo del suelo, debe realizarse con el motor parado y la bujía desenchufada.
- El desplazamiento (al margen del trabajo del suelo) debe efectuarse utilizando la rueda de transporte, tal y como se describe en § "desplazamiento".
- Manutención: para levantar la máquina respetar las instrucciones del capítulo manutención. El peso de la máquina se indica en la placa de fabricante y al final de este manual. Utilizar un método de manutención adaptado al peso de la máquina y a la situación con el fin de garantizar la seguridad.
- Estibar correctamente la máquina para un transporte con total seguridad.
- El transporte debe efectuarse con el motor parado y la bujía desenchufada, utilizando un remolque, no utilizar ningún otro medio de transporte.

EN

DE

FR

ES

IT

NL

DEFINICIÓN DE PICTOGRAMAS

EN

DE

FR

ES

IT

NL



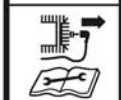
ATENCIÓN
Peligro



ATENCIÓN
Herramientas rotativas



ATENCIÓN
Leer el manual de uso



ATENCIÓN
Consultar el manual de uso y retirar la bujía antes de realizar cualquier intervención.



ATENCIÓN
No utilizar sin protector (elementos giratorios).

Mando de gas

(Según motor)



1

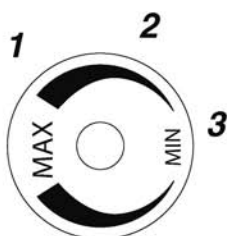
2

3



1

2



1

2

3

1 - Rápido
2 - Lento
3 - Parada



Marcha atrás

Marcha adelantet



Marcha atrás

Palanca de embrague



1

2

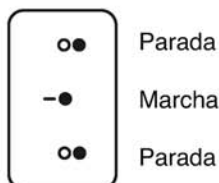


1

2

1 - Desembragado
2 - Embragado

Cortacircuitos



Parada

Marcha

Parada



No tocar las superficies calientes.



Los gases de escape son peligrosos. No utilizar en un lugar mal ventilado.



Apagar el motor antes de llenar el depósito.



Prohibido fumar, hacer o acercar fuego.



Nivel presión acústica garantizada



Ponerse un casco antirruídos.



Pictogramas presentes o no según el modelo de máquina.

DATOS TÉCNICOS

Modelo de máquina	MFT44 154	Nivel de presión acústica en el puesto de conducción (EN709 : 1997 / A4 : 2009)	
Peso	kg 25	dB(A)	92.3
Modelo de motor	LC154F	Incerteza de medida	
Potencia neta (*)	KW 2	dB(A)	1
para un régimen motor	rv/min 4000	Nivel de potencia acústica medida (2000/14/CE)	
Potencia nominal	KW 1.4	dB(A)	92.3
Régimen motor nominal	rv/min 3100	dB(A)	0.5
Nivel de potencia acústica garantizada	dB(A) 93	Nivel de vibraciones en las manos del operario (EN709 : 1997 / A4 : 2009)	
		m/s ²	3.2
		Incerteza de medida	
		%	2

* La potencia del motor indicada en este documento es una potencia neta obtenida por la prueba de un motor de serie según la norma SAE J 1349 a una velocidad de rotación dada. La potencia de otro motor de producción puede ser diferente de este valor indicado. La potencia real de un motor instalado en una máquina dependerá de diferentes factores, como la velocidad de rotación, las condiciones de temperatura, humedad, presión atmosférica, mantenimiento y demás.

DESEMBALAJE / MONTAJE

NOTA: Con una preocupación permanente por mejorar sus productos, el fabricante precisa que este manual, en su totalidad, no es contractual, y se reserva el derecho de modificar las especificaciones de sus máquinas sin previo aviso.

Desembalaje

1.1

ATENCIÓN:
El montaje inapropiado de esta motoazada puede provocar graves lesiones. Asegúrese de seguir todas las instrucciones atentamente.

ATENCIÓN:
Tenga cuidado de no cortar los cables o rayar la pintura de la máquina al cortar las aristas de la caja.

Ind.	Contenido de la caja
A	Bloque motor
B	Bolsa de manuales + piezas
C	Rueda de transporte simple*
D	Espolón de regulación de profundidad
E	Larguero de manillar
F	Manillares
G	Rueda de transporte doble*

(*Según versión)

Montaje de la máquina

1.2

ATENCIÓN:
El montaje inapropiado de esta motoazada puede provocar graves lesiones. Asegúrese de seguir todas las instrucciones atentamente.

1 2 Montaje del espolón de regulación de profundidad

3 4 5 Montaje de rueda de transporte (Según versión)

6 7 Montaje de soporte de manillar

8 9 10
12 11 13 Montaje de manillar

14 15 Montaje de palanca de embrague

16 Ubicación del almacenamiento de la rueda simple (Según versión)

17 Montaje del mando de gas (Según motor)

18 19 Montaje del cortacircuito (Según motor)

20 Montaje del sujetacables

ATENCIÓN
Después del completo montaje de la máquina, apretar todos los tornillos firmemente, pero con moderación.

NOTA: Las operaciones de desmontaje debe efectuarlas un taller autorizado.

Descripción de elementos

1.3

- 1 - Contactor de marcha parada *
 - 2 - Motor *
 - 3 - Chapa de protección
 - 4 - Herramientas rotativas
 - 5 - Rueda de transporte **
 - 6 - Tapa de correa
 - 7 - Palanca de embrague
 - 8 - Mando de gas*
 - 9 - Empuñadura de ajuste de manillar
- * según motor
** según versión

Placa de identificación de la máquina

1.4

- A - Potencia nominal
B - Masa en kilogramos
C - Número de serie
D - Año de fabricación
E - Tipo de máquina
F - Nombre y dirección del fabricante
G - Identificación CE
H - XX = Motoazada de motor térmico

Rueda de transporte

1.5

- A = Posición de trabajo.
B = Posición de transporte.

ARRANQUE DE MÁQUINA

Llenado de aceite y nivel

2.1

Llenado de gasolina

2.2

Súper o sin plomo o SP95 E10..

Poner el estérter en la posición A

2.3

Poner el interruptor en: — ●

2.4

Tirar de la empuñadura del lanzador

2.5

ATENCIÓN:
Durante el arranque de la máquina, permanecer en todo momento en la zona de seguridad.

Estérter

2.6

Poner el estérter en la posición B.

EN

DE

FR

ES

IT

NL

USO

EN



← **Marcha adelante**

DE



Respetar una zona de seguridad de 20 m de radio alrededor de la máquina.

FR

ES

IT

PARADA

NL



← **Parada de herramientas de fresa**

Soltar la palanca de embrague.



← **Parada del motor**

Poner el interruptor en: ○ ●

TABLA DE MANTENIMIENTO

Controles diarios	Transcurridas las 20 primeras horas o todos los meses
<p>Antes de poner el motor en marcha, verificar los puntos siguientes.</p> <ul style="list-style-type: none"> ■ Ausencia de pernos y tuercas sueltos o rotos. 	<ul style="list-style-type: none"> ■ Cambiar el aceite del motor
<p> 4.3 ← Limpieza del elemento del filtro de aire. </p>	<p>Cada 50 horas o cada 3 meses</p> <ul style="list-style-type: none"> ■ Limpiar el filtro del aire* (Fig. 2. 4.3)
<p> No utilizar disolventes inflamables para limpiar el elemento espumoso del filtro de aire. </p>	<p>Cada 100 horas o cada 6 meses</p> <ul style="list-style-type: none"> ■ Cambiar el aceite del motor ■ Limpiar el filtro del carburante ■ Limpiar la bujía ■ Limpiar el parachispas
<p> 2.1 ← Nivel de aceite motor limpio. </p>	<p>Cada 300 horas o una vez al año</p> <ul style="list-style-type: none"> ■ Cambiar el filtro del aire * ■ Cambiar la bujía ■ Regular el ralenti ** ■ Revisar el funcionamiento de las válvulas** ■ Limpiar el filtro del carburante ** ■ Limpiar la cámara de combustión ** ■ Revisar el circuito de carburante **
<p> 2.2 ← Nivel de gasolina suficiente. </p>	<p>* Limpiar más a menudo si se utiliza en ambientes en los que hay polvo o partículas en suspensión.</p> <p>** No es indispensable excepto en caso de problemas de funcionamiento (se debe realizar en un taller autorizado).</p>
<ul style="list-style-type: none"> ■ Seguridad del entorno ■ Ausencia de vibraciones y de ruidos excesivos 	

DESPLAZAMIENTO Y MANUTENCIÓN



5.1

← Almacenaje



Motor apagado y enfriado.



5.2

← Desplazamiento



Detener el motor.

Subir la rueda en el soporte en posición desplazamiento.

Con ayuda del manillar, levantar las fre-sas del suelo y avanzar.

EN

DE

FR

ES

IT

NL

Porre la massima attenzione alle avvertenze precedute dalle seguenti indicazioni:

EN



ATTENZIONE: Indica un rischio elevato di gravi ferite o persino di morte, se non vengono rispettate le istruzioni.

DE

PRECAUZIONE: Indica un rischio di ferite o di danno all'attrezzatura, se non vengono osservate le istruzioni.

FR

NOTA: Fornisce informazioni utili.

ES



Questo simbolo richiama alla massima prudenza durante determinate operazioni.

IT

In caso di problemi o per qualsiasi domanda riguardante la motozappa, rivolgersi ad un concessionario autorizzato.

NL



ATTENZIONE: La macchina è stata progettata per garantire un servizio sicuro ed affidabile in condizioni d'uso conformi alle istruzioni. Prima di adoperare la macchina, leggere attentamente e comprendere le istruzioni contenute nel presente manuale. La mancata osservanza di questa raccomandazione comporta pericolo per l'incolumità delle persone e la possibilità di arrecare danni alla macchina.

Training / Informazioni

- Familiarizzarsi con l'utilizzo corretto e con i comandi prima di utilizzare la macchina. È necessario imparare come arrestare il motore rapidamente.
- La macchina va sempre utilizzata osservando le raccomandazioni contenute nel manuale istruzioni.
- Tenere presente che l'utilizzatore della macchina è responsabile degli incidenti e dei pericoli nei quali possono incorrere le altre persone o i loro beni. Sua è la responsabilità di valutare i potenziali rischi presenti nella zona di lavoro e prendere tutte le dovute precauzioni per garantire la propria sicurezza, in particolare su pendii ripidi, terreni accidentati, scivolosi o instabili.
- Non lasciare utilizzare la macchina ai bambini o a chi non ha dimestichezza con le presenti istruzioni. Eventuali normative locali in vigore nel paese d'utilizzo richiedono che l'operatore abbia un'età minima.
- Non lavorare quando sono presenti nel raggio di sicurezza di 20 metri dalla macchina, persone, e in particolare bambini, o animali domestici; l'operatore stesso deve rimanere al comando della macchina.
- Non adoperare la macchina quando si è sotto l'effetto di alcolici, farmaci o altre sostanze che agiscono sui riflessi e sull'attenzione.
- Si invita alla massima cautela su terreni compatte: la macchina sarà meno stabile rispetto ai terreni coltivati.
- Per tutta la durata del lavoro, indossare calzature resistenti con suola non scivolosa e pantaloni lunghi aderenti. Non lavorare mai a piedi nudi o calzando sandali. Si raccomanda inoltre l'uso di dispositivi di protezione auricolare.
- Adoperare la macchina esclusivamente per l'uso previsto, ossia la zappatura del terreno. Qualsiasi utilizzo diverso da quello sopra descritto comporta pericolo per l'incolumità delle persone e eventuali danni alla macchina.

Preparazione:

- Ispezionare accuratamente l'area dove si dovrà lavorare avendo cura di togliere tutti gli oggetti che potrebbero essere scagliati dalla macchina (pietre, fili, vetri, oggetti metallici ...).
- Prima di iniziare il lavoro, procedere sempre ad un'ispezione visiva della macchina per verificare che gli utensili e i deflettori non siano usurati o danneggiati. Sostituire i pezzi usurati o danneggiati.
- Se la macchina è dotata di pulsante di arresto motore, mantenere in buono stato i cavi elettrici di arresto per garantire l'arresto del motore.
- Controllare che non vi siano perdite di liquidi (carburante, olio...)
- Non adoperare la macchina con i parafanghi o carter di protezione smontati e controllare che tutti i dispositivi di protezione siano bloccati.

Utilizzo:

- Non è consentito il trasporto di persone sulla macchina.
- Avviare il motore con cautela osservando le istruzioni del costruttore e tenendo i piedi ben distanti dagli utensili.
- Arrestare il motore quando la macchina è lasciata incustodita.
- Camminare, non correre con la macchina.
- Usare la massima precauzione nel tirare la macchina verso di sé e nell'invertire il senso di marcia (se disponibile).
- Osservare una distanza di sicurezza rispetto agli elementi rotanti corrispondente alla lunghezza della stegola.
- Non mettere mai mani o piedi vicino o sotto le parti in movimento.
- In caso di:
 - vibrazione anomala,
 - bloccaggio,
 - problema di frizione,
 - urto con un corpo estraneo,
 - danno al cavo di arresto motore (a seconda del modello),
- Fermare immediatamente il motore (se il cavo di arresto motore è sezionato, attivare la leva dello starter seguendo le istruzioni descritte nel § "avvio motore" per arrestare il motore), lasciare raffreddare la macchina, ispezionare la macchina e far effettuare le riparazioni necessarie da un riparatore autorizzato prima di utilizzare la macchina di nuovo.
- Lavorare soltanto alla luce del giorno od in presenza di una buona illuminazione artificiale.
- Non adoperare mai la macchina su pendenze superiori ai 10° (17%).
- Sulle pendenze, non lavorare in salita o in discesa ma sempre trasversalmente.
- Sui terreni in pendenza, accertarsi dei propri punti di appoggio e cambiare direzione con la massima cautela.
- L'utilizzo di accessori diversi da quelli raccomandati può rendere pericoloso l'utilizzo della macchina e provocare danni alla macchina non coperti dalla garanzia.

Manutenzione / rimessaggio

- Fermare il motore e staccare il cavo della candela prima di effettuare le operazioni di pulizia, di verifica, di cambio utensile, di regolazione o di manutenzione macchina.
- Fermare il motore, staccare il cavo della candela e indossare guanti spessi per cambiare gli utensili.

- Controllare che tutti i dadi e le viti siano ben serrati a fondo per garantire condizioni d'utilizzo sicure.
- Per evitare pericolo di incendio, tenere il motore, il silenziatore e la zona di stoccaggio del carburante ben puliti da vegetali, da grasso in eccesso e da qualsiasi altro elemento infiammabile.
- Far sostituire i silenziatori di scarico difettosi da un riparatore autorizzato.
- Non riparare i pezzi. Far effettuare la sostituzione con ricambi originali.
- Sostituire gli utensili per lotti completi per mantenere il bilanciamento.
- Per motivi di sicurezza, non modificare le caratteristiche della macchina. Non modificare le regolazioni di velocità del motore e non utilizzare il motore a velocità eccessiva. Una manutenzione regolare è essenziale per garantire la sicurezza e le prestazioni della macchina.
- Lasciare raffreddare il motore prima di riporre la macchina in un locale chiuso.

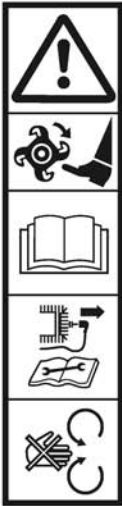
Attenzione pericolo la benzina è altamente infiammabile:

- Conservare la benzina in recipienti idonei per lo stoccaggio. Effettuare il pieno di benzina esclusivamente all'aperto e non fumare durante le operazioni di rifornimento.
- Non togliere il tappo del serbatoio della benzina né aggiungere benzina se il motore è in moto oppure ancora caldo.
- Nell'eventualità vi fosse stata fuoriuscita di benzina, non avviare il motore. Allontanare la macchina dalla zona e evitare qualsiasi fonte di accensione prima che i vapori del combustibile si siano dissipati.
- Riporre la macchina in un locale asciutto. Non tenere la macchina in ambienti dove i vapori di benzina potrebbero raggiungere fiamme, scintille o sorgenti di calore.
- Riposizionare correttamente i tappi del serbatoio e della riserva di benzina.
- Limitare la quantità di benzina all'interno del serbatoio per ridurre gli spruzzi.
- Non avviare il motore in un ambiente chiuso dove si può accumulare il monossido di carbonio.
- Il monossido di carbonio può essere mortale. Controllare che la ventilazione sia sufficiente.

Spostamento, manutenzione, trasporto.

- Qualsiasi azione sulla macchina non riguardante la zappatura del terreno va effettuata a motore spento e con il cavo della candela scollegato.
- Lo spostamento (al di fuori delle operazioni di zappatura) si effettua utilizzando il ruotino di trasferimento come descritto nel § "spostamento".
- Movimentazione: per sollevare la macchina rispettare le istruzioni del § movimentazione. Il peso della macchina è indicato sulla targhetta del costruttore e in calce al presente manuale. Per operare in totale sicurezza, il metodo utilizzato per la movimentazione deve essere adeguato al peso della macchina e ad ogni situazione.
- Bloccare la macchina per garantire un trasporto in totale sicurezza.
- Il trasporto si effettua su un rimorchio, con il motore spento e il cavo della candela scollegato. E vietato adoperare un qualsiasi altro mezzo di trasporto.

SIGNIFICATO DEI SIMBOLI



ATTENZIONE
Pericolo

ATTENZIONE
Elementi in rotazione

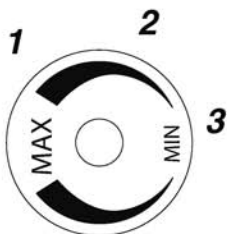
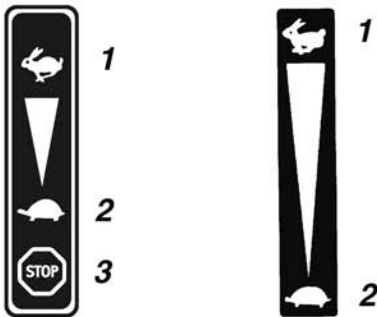
ATTENZIONE
Leggere il manuale d'uso

ATTENZIONE
Consultare il manuale d'uso e scollegare il cavo candela prima di qualsiasi intervento.

ATTENZIONE
Non utilizzare con i dispositivi di protezione smontati (elementi rotanti).

Leva di comando acceleratore

(A seconda della motorizzazione)



1 - Rapido
2 - Lento
3 - Stop.



Retromarcia

Marcia avanti

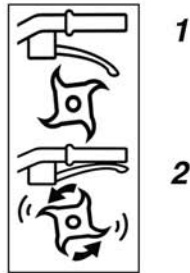


Retromarcia

Leva di comando frizione

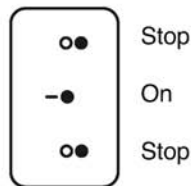


1 2



1 - Disinnestato
2 - Innestato

Dispositivo di arresto



Stop
On
Stop



Non toccare le superfici calde.



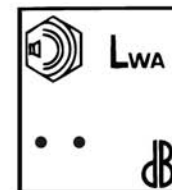
I gas di scarico sono pericolosi. Non adoperare in un locale non sufficientemente ventilato.



Spegnere il motore prima del rifornimento.



È vietato fumare, fare fuoco o avvicinarsi al fuoco.



Livello di pressione acustica garantito



Indossare un dispositivo di protezione auricolare



Simboli presenti o no a seconda dei modelli macchina.

CARATTERISTICHE TECNICHE

Modello macchina	MFT44 154	Livello di pressione acustica al posto di guida (EN709 : 1997 / A4 : 2009)	dB(A)	92.3
Peso	Kg 25	Incertezza di misura	dB(A)	1
Modello motore	LC154F	Livello di potenza acustica misurata (2000/14/CE)	dB(A)	92.3
Potenza netta (*)	KW 2	Incertezza di misura	dB(A)	0.5
per un regime motore	giri/min. 4000	Livello delle vibrazioni alla mano dell'operatore (EN709 : 1997 / A4 : 2009)	m/s ²	3.2
Potenza nominale	KW 1.4	Incertezza di misura	%	2
Regime motore nominale	girir/mn. 3100			
Livello di potenza acustica garantita	dB(A) 93			

* La potenza del motore indicata nel presente documento è la potenza netta ottenuta su un motore di serie ai sensi della norma SAE J 1349 ad una data velocità di rotazione. La potenza di un altro motore di produzione può risultare diversa da quella indicata. La potenza effettiva del motore installato sulla macchina può variare in funzione di diversi fattori quali la velocità di rotazione, la temperatura, l'umidità, la pressione atmosferica, la manutenzione, ecc.

EN

DE

FR

ES

IT

NL

APERTURA DELL'IMBALLO / INSTALLAZIONE

EN

DE

FR

ES

IT

NL

NOTA: il costruttore precisa che il presente manuale non è contrattuale: impegnato in un costante miglioramento dei propri prodotti, si riserva il diritto di apportare senza preavviso modifiche alle specifiche delle sue macchine.



Apertura dell'imballo



ATTENZIONE:
Porre particolare attenzione a non sezionare i cavi e a non graffiare la vernice della macchina aprendo lo scatolone.

Rif.	Contenuto dello scatolone
A	Blocco motore
B	Busta istruzioni + pezzi
C	Ruotino di trasferimento semplice*
D	Sperone
E	Distanziatore manubrio
F	Manubri
G	Ruotino di trasferimento doppio*

(*a seconda del modello)



Montaggio ruotino di trasferimento



ATTENZIONE:
Il montaggio errato della motozappa costituisce pericolo per l'incolumità delle persone. Controllare che tutte le istruzioni siano accuratamente rispettate.



Montaggio dello sperone



Montaggio del ruotino di trasferimento

(A seconda del modello)



Montaggio del supporto manubrio



Montaggio del manubrio



Montaggio della leva di comando frizione



Posizione stoccaggio ruotino semplice

(A seconda del modello)



Montaggio della leva di comando acceleratore

(A seconda della motorizzazione)



Montaggio del dispositivo di arresto

(A seconda della motorizzazione)



Montaggio dei serracavi



ATTENZIONE
Dopo l'assemblaggio completo della macchina, stringere bene ma non a fondo tutte le viti.

NOTA: Le operazioni di smontaggio vanno effettuate da un'officina autorizzata.



Descrizione degli elementi

- 1 - Interruttore ON OFF*
- 2 - Motore *
- 3 - Carter di protezione
- 4 - Attrezzi rotanti
- 5 - Ruotino di trasferimento **
- 6 - Carter copricinghia
- 7 - Leva di comando frizione
- 8 - Leva di comando acceleratore*
- 9 - Registro manubrio

* (A seconda della motorizzazione)
** (A seconda del modello)



Targhetta d'identificazione della macchina

- A - Potenza nominale
- B - Massa in chilogrammi
- C - Numero di serie
- D - Anno di fabbricazione
- E - Tipo macchina
- F - Nome e indirizzo del costruttore
- G - Marcatura CE
- H - XX = Motosappa a motore termico



Ruotino di trasferimento

A = Posizione lavoro.
B = Posizione trasferimento.

AVVIO DELLA MACCHINA



Rifornimento olio e livello



Rifornimento carburante

Super o senza piombo
o SP95 E10.



Mettere la leva dello starter sulla posizione A



Posizionare il contattore su: — ●



Tirare la corda di avviamento con la manopola



Rimanere sempre nella zona di sicurezza al momento dell'avvio della macchina.



Starter

Mettere la leva dello starter sulla posizione B.

USO



3.1

← **Marcia avanti**



Rispettare una zona di sicurezza di 20 m di raggio attorno alla macchina.

EN

DE

FR

ES

ARRESTO



4.1

← **Arresto degli utensili fresa**

Rilasciare la leva frizione.



4.2

← **Arresto motore**

Posizionare il contattore su:

IT

NL

TABELLA DI MANUTENZIONE

Controlli giornalieri

Prima di avviare il motore, controllare i seguenti punti.

- Assenza di bulloni e dadi allentati o rotti.



4.3

- ← ■ Pulizia dell'elemento del filtro aria.



Non utilizzare solventi infiammabili per pulire l'elemento in schiuma del filtro aria.



2.1

- ← ■ Livello dell'olio motore pulito.

- Assenza di perdite di carburante e di olio motore.



2.2

- ← ■ Livello carburante sufficiente.

- Sicurezza dell'ambiente.

- Assenza di vibrazioni e di rumori eccessivi.

Dopo le prime 20 ore oppure ogni mese

- Sostituire l'olio motore

Ogni 50 ore oppure ogni 3 mesi

- Pulire il filtro aria* (2 Fig.4.3)

Ogni 100 ore oppure ogni 6 mesi

- Sostituire l'olio motore
- Pulire il filtro carburante
- Pulire la candela
- Pulire il parascintille

Ogni 300 ore oppure una volta l'anno

- Sostituire il filtro aria*
- Sostituire la candela
- Regolare il minimo**
- Controllare il gioco delle valvole**
- Pulire il filtro carburante**
- Pulire la camera di combustione**
- Controllare il circuito carburante**

*Pulire più spesso in condizioni d'utilizzo in atmosfera polverosa o appesantita da pulviscolo aereo.

**Non indispensabile salvo in caso di problemi di prestazioni (da realizzare da parte di un'officina autorizzata).

TRASPORTO E MANUTENZIONE

EN



5.1

← Manutenzione



5.2

← Trasporto

DE



Motore fermo e a freddo.



Montare la ruota sul cavalletto
in posizione spostamento.

Solleverare le frese dal terreno per mezzo
del manubrio e avanzare.

FR

ES

IT

NL

VEILIGHEIDSVOORSCHRIFTEN

Bijzondere aandacht besteden aan de vermeldingen voorafgegaan door de volgende woorden:



LET OP: Er bestaat grote kans op ernstig lichamelijk letsel en zelfs de dood indien de instructies niet worden opgevolgd.

VOORZORG: Er bestaat kans op lichamelijk letsel of beschadiging van de uitrusting indien de instructies niet worden opgevolgd.

OPMERKING: Geeft nuttige inlichtingen.



Dit teken maant u aan tot voorzichtigheid bij bepaalde handelingen.

In geval van problemen of indien u vragen hebt met betrekking tot de motor schoffelmachine, moet u contact opnemen met een erkende dealer.



LET OP : De machine is ontworpen om veilig en bedrijfszeker te werken in het kader van gebruiksvoorwaarden die voldoen aan de instructies. Alvorens de machine in gebruik te nemen, moet u de inhoud van deze handleiding aandachtig lezen en in u opnemen. Indien u dit nalaat, stelt u zich bloot aan letsel en kan ook de uitrusting beschadigd raken.

Opleiding / Inlichtingen

- Maak u vertrouwd met het juiste gebruik en de bedieningsorganen voordat u de machine gaat gebruiken. U moet weten hoe u de motor snel uit kunt zetten.
- De machine moet altijd gebruikt worden met inachtneming van de aanbevelingen vermeld in de instructiehandleiding.
- Niet vergeten dat de gebruiker altijd verantwoordelijk en aansprakelijk is voor ongevallen of gevaarlijke gebeurtenissen voor andere mensen of hun bezittingen. Hij is verantwoordelijk voor het inschatten van de mogelijke risico's van de te bewerken grond en hij moet alle nodige voorzorgsmaatregelen treffen met betrekking tot zijn eigen veiligheid, in het bijzonder op hellingen, onregelmatige grond, gladde of rulle grond.
- Nooit kinderen of mensen die niet vertrouwd zijn met deze instructies, de machine laten gebruiken. De plaatselijk vigerende regels kunnen een minimale leeftijd met betrekking tot het gebruik van de machine bepalen.
- Nooit werken als er mensen, en in het bijzonder kinderen of dieren, aanwezig zijn in een straal van 20 meter om de machine heen : de gebruiker moet altijd en immer achter de machine blijven staan met de handen op het stuur met de bedieningsorganen.
- De machine niet gebruiken als men medicijnen of andere stoffen die de reflexreacties en de oplettendheid kunnen aantasten, heeft ingenomen.
- Bij het werken op harde grond moet men bijzonder voorzichtig te werk gaan aangezien de machine de neiging zal vertonen minder stabiel te lopen dan op een reeds bewerkt stuk grond.
- Tijdens het werken altijd stevige schoenen met antislipzolen dragen evenals een lange en goed sluitende broek. De machine niet gebruiken met blote voeten of sandalen, wij raden bovendien aan gehoorbeschermers te dragen.
- De machine alleen gebruiken voor het doel waarvoor zij is ontworpen, te weten het bewerken van grond. Ieder ander gebruik kan gevaarlijk zijn of schade aan de machine berokkenen.

Vorbereitung:

- De zone die men wenst te bewerken met de machine heel nauwkeurig inspecteren en alle voorwerpen die door machine geprojecteerd zouden kunnen worden (stenen, glas, metalen voorwerpen...) verwijderen.
- Voor het gebruik de machine altijd aan een visuele controle onderwerpen om te kijken of de werktuigen en de deflectors niet versleten of beschadigd zijn. Versleten of beschadigde onderdelen laten vervangen.
- Als de machine is uitgerust met een stopknop voor de motor, ervoor zorgen dat de elektrische stopkabels van de motor te allen tijde in goede staat verkeren om er zeker van te zijn dat de motor ook inderdaad zal stoppen in het voorkomende geval.
- Controleren of er geen lekkages zijn (benzine, olie...)
- De machine niet zonder het spatbord of de beschermingskappen gebruiken en controleren of alle bevestigingsinrichtingen wel naar behoren zijn aangedraaid.

Gebruik:

- Nooit mensen vervoeren op de machine.
- De motor voorzichtig opstarten met inachtneming van de instructies van de fabrikant en hierbij de voeten uit de buurt van het (de) werktuig(en) houden.
- De motor uitzetten als er niemand is om toezicht op de machine te houden.
- De machine alleen lopend voortduwen, nooit hollen.
- De machine altijd heel voorzichtig naar zich toetrekken en ook de rijrichting (indien aanwezig op de machine) altijd heel voorzichtig omzetten.
- Altijd de veiligheidsafstand ten opzichte van de draaiende werktuigen in acht nemen, deze wordt gegeven aan de hand van de lengte van het stuur.
- De handen of de voeten nooit plaatsen bij of onder de draaiende elementen.
- In geval van :
 - abnormale trillingen,
 - blokkering
 - probleem met de koppeling,
 - schok met een vreemd voorwerp,
 - beschadiging van de stopkabel van de motor (naar gelang model),
- De motor onmiddellijk uitzetten (als de stopkabel van de motor niet meer werkt, de bediening van de starter activeren zoals beschreven in § "opstarten motor" om de motor uit te zetten), de machine laten afkoelen, inspecteren en de nodige reparaties laten uitvoeren door een erkende reparateur voordat men de machine opnieuw gaat gebruiken.
- De machine alleen gebruiken in daglicht of met kunstlicht van goede kwaliteit.
- De machine niet gebruiken op hellingen van meer dan 10° (17%).
- Op hellingen moet men transversaal (overdwars) werken met de machine, nooit van boven naar beneden en omgekeerd.
- Op hellende vlakken ervoor zorgen dat men stevig in de schoenen blijft staan en alleen heel voorzichtig van richting veranderen.
- Het gebruik van andere dan de aanbevolen toebehoren kan het werken met de machine gevaarlijk maken en schade berokkenen aan de machine, deze schade wordt dan niet door de garantie gedekt.

Onderhoud / opslag

- De motor uitzetten en de bougie verwijderen voordat de machine gaat schoonmaken of inspecteren en voordat men een ander werktuig gaat gebruiken, de machine gaat instellen of tot onderhoudswerkzaamheden overgaat.
- De motor uitzetten en de bougie loshalen en stevige handschoenen gebruiken om een ander werktuig te monteren.

- Ervoor zorgen dat de moeren en schroeven altijd naar behoren zijn aangedraaid met het oog op veilige gebruiksvoorwaarden.
- Om het risico voor brand terug te brengen, ervoor zorgen dat er op en om de motor, de knaldemper en de plaats waar de benzine wordt opgeslagen geen plantresten, vetsporen of andere stoffen die vlam kunnen vatten, aanwezig zijn.
- Als de knaldemper van de uitlaat defect raakt, hem laten vervangen door een erkende reparateur.
- De onderdelen niet zelf repareren, ze laten vervangen door oorspronkelijke onderdelen.
- De werktuigen door volledige sets vervangen met het oog op de instandhouding van een juist evenwicht.
- Veiligheidshalve mag u de eigenschappen van de machine niet wijzigen. De snelheidsinstellingen van de motor mogen niet gewijzigd worden en de motor niet gebruiken op een te hoge snelheid. Een regelmatig onderhoud is essentieel voor de veiligheid en de instandhouding van het prestatievermogen.
- De motor laten afkoelen voordat men de machine plaatst in een gesloten ruimte.

Let op, gevaar, benzine is zeer ontvlambaar:

- De brandstof opslaan in speciaal hiervoor bestemde bussen of blikken. De machine alleen vullen buiten en niet roken tijdens deze handeling.
- Nooit de dop van de benzinetank afhalen of benzine bijvullen als de motor draait of nog warm is.
- Als er benzine op de grond terecht is gekomen, niet proberen de motor te starten op die plaats, de machine ergens anders verderop zetten en iedere bron van ontsteking uit de buurt houden van die plaats zolang de benzinedampen niet zijn verdampd.
- De machine opslaan op een droge plaats. De machine nooit opslaan in een ruimte waar de benzinedampen in contact met een vlam, een vonk of een sterke warmtebron zouden kunnen komen.
- De doppen van de tank en de benzinezak naar behoren terug op hun plaats brengen.
- Niet teveel benzine gieten in de tank op oppassen te voorkomen.
- De motor niet laten draaien in een bedompte ruimte waar koolstof monoxide dampen zich zouden kunnen opstapelen.
- Koolstof monoxide kan dodelijk zijn. Zorgen voor een goede ventilatie.

Verplaatsen, hanteren, vervoer.

- Alle handelingen verricht op de machine buiten het bewerken van de grond, moeten tot stand gebracht worden nadat de motor is uitgezet en de bougie is losgemaakt.
- De machine mag alleen verplaatst worden (buiten het bewerken van de grond) met gebruikmaking van het transportwielletje zoals beschreven in de § "verplaatsen".
- Hanteren: bij het optillen van de machine moet men de instructies gegeven in het hoofdstuk « hanteren » in acht nemen. Het gewicht van de machine staat vermeld op het plaatje van de constructeur aan het eind van deze handleiding. Gebruik een hanteermethode aangepast aan het gewicht van de machine en de omstandigheden met het oog op de veiligheid.
- De machine moet op en van een aanhangwagen af gereden worden met behulp van adequate laadbanen. De machine naar behoren vastzetten met het oog op de veiligheid tijdens het vervoer.
- Tijdens het transport, moet de motor van de machine zijn uitgezet en de bougie losgemaakt zijn, de machine mag alleen op een aanhangwagen vervoerd worden, gebruik geen ander transportmiddel hiervoor.

EN

DE

FR

ES

IT

NL

DEFINITIE VAN DE PICTOGRAMMEN

EN

DE

FR

ES

IT

NL



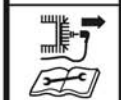
LET OP
Gevaar



LET OP
Draaiende werktuigen



LET OP
De gebruikshandleiding lezen



LET OP
De gebruikshandleiding raadplegen en de bougie loshalen voordat men ingrepen op de machine gaat verrichten.



LET OP
Niet gebruiken zonder bescherming (draaiende elementen).

Gasbediening

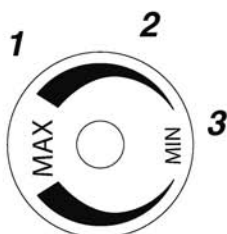
(Naar gelang motorisering)



1
2
3



1
2



1 - Snel
2 - Langzaam
3 - Stop.



Achteruit

Vooruit



Achteruit

Koppelhandel



1

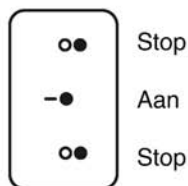
2



1
2

1 - Ontkoppeld
2 - Ingekoppeld

Schakelaar stroomveiligheid



Stop
Aan
Stop



Niet aan de warme oppervlakken komen.



De uitlaatgassen zijn gevaarlijk, niet gebruiken in een niet naar behoren geventileerde ruimte.



De motor uitzetten voordat men brandstof gaat bijvullen.



Verboden te roken, vuur te maken of in de buurt van vuur te brengen.



Geluidsvermogen gegarandeerd



Draag een geluidwerende helm



Deze pictogrammen zijn wel of niet aanwezig op de machine naar gelang het model.

TECHNISCHE INFORMATIE

Model machine	MFT44 154	Geluidsdruk niveau in de bestuurspost (EN709 : 1997 / A4 : 2009)	dB(A)	92.3
Gewicht	kg 25	Onzekerheid op het vlak van de meting	dB(A)	1
Model motor	LC154F	Gemeten niveau geluidsvermogen (2000/14/CE)	dB(A)	92.3
Zuiver vermogen (*)	KW 2	Onzekerheid op het vlak van de meting	dB(A)	0.5
Bij motor toerental	tr/mn 4000	Trillingniveau ter hoogte van de handen van de bediener (EN709 : 1997 / A4 : 2009)	m/s ²	3.2
Nominaal vermogen	KW 1.4	Onzekerheid op het vlak van de meting	%	2
Nominaal toerental motor	tr/mn 3100			
Gegarandeerd geluidsvermogen niveau	dB(A) 93			

* Het vermogen van de motor zoals aangegeven in dit document is het zuivere vermogen verkregen in het kader van een serie motor test volgens de norm SAE J 1349 bij een bepaalde draaisnelheid. Het vermogen van een andere productie motor kan diensgevolge afwijken van deze waarde. Het ware vermogen van een motor geïnstalleerd in de machine hangt af van verschillende factoren zoals de draaisnelheid, de voorwaarden op het vlak van temperatuur, vochtigheid, luchtdruk, het onderhoud enzovoort.

UITPAKKEN / ASSEMBLEREN

OPMERKING: In zijn constante streven naar verbetering, preciseert de constructeur dat deze handleiding niet contractueel is en behoudt hij zich het recht voor zonder voorafgaande kennisgeving de specificaties van zijn machines te wijzigen.

Uitpakken 1.1

LET OP: Het niet naar behoren assembleren van deze gemotoriseerde schoffelmachine kan ernstig letsel veroorzaken. Verzekert u ervan dat u alle instructies zorgvuldig opvolgt.

LET OP: Let erop dat de kabels niet doorgesneden kunnen worden en dat er geen krassen gezet worden in de verf van de machine bij het openen van de hoeken van de kist.

Num.	Inhoud van de kist
A	Motorblok
B	Zakje met handleiding + onderdelen
C	Enkelvoudig transportwiel*
D	Aanaard pen
E	Tussenstuk stuur
F	Stuurstangen
G	Dubbel transportwiel*

(*Naar gelang model)

Montage van de machine 1.2

LET OP: Het niet naar behoren assembleren van deze gemotoriseerde schoffelmachine kan ernstig letsel veroorzaken. Verzekert u ervan dat u alle instructies zorgvuldig opvolgt.

1 2 Montage van de aanaard pen

3 4 5 Montage van het transportwiel (Naar gelang model)

6 7 Montage van de stuursteun

8 9 10 Montage van het stuur 12 11 13

14 15 Montage van de koppelingshandel

16 Plaats waar het enkelvoudige wiel moet worden opgeborgen (Naar gelang model)

17 Montage gasbediening (Naar gelang motorisering)

18 19 Montage stroomonderbreker (Naar gelang motorisering)

20 Montage kabelklem

LET OP: Als u klaar bent met het assembleren van de machine, moet u alle schroeven stevig maar niet al te vast aandraaien.

OPMERKING: Alle demonteerhandelingen moeten uitgevoerd worden door een erkende vakman.

Omschrijving van de elementen 1.3

- 1 - Contactsluiter aan uit *
- 2 - Motor *
- 3 - Beschermingsplaat
- 4 - Draaiwerktuigen
- 5 - Transportwiel **
- 6 - Kap van de riem
- 7 - Koppelingshandel
- 8 - Gasbediening*
- 9 - Handvat om het stuur in te stellen

* naar gelang motorisering

** naar gelang model

Identificatie plaatje van de machine 1.4

- A - Nominiaal vermogen
- B - Massa in kilo's
- C - Serienummer
- D - Bouwjaar
- E - Type van de machine
- F - Naam en adres van de constructeur
- G - CE identificatie
- H - XX = Schoffelmachine met verbrandingsmotor

Transport wiel 1.5

- A = Werkstand.
- B = Transport stand.

EN

DE

FR

ES

IT

NL

OPSTARTEN VAN DE MACHINE

Olie vullen en oliepeil 2.1

Benzine vullen 2.2

Super of loodvrij of SP95 E10.

De starter in stand A zetten 2.3

De contactsluiter zetten op: 2.4

Trekken aan de lanceerhendel 2.5

LET OP: Bij het opstarten van de machine moet men altijd in de veiligheidszone blijven staan.

Starter 2.6

De starter zetten in stand B.

GEBRUIK

EN



← Vooruit

DE



Een veiligheidszone van een straal van 20 m om de machine heen in acht nemen.

FR

ES

IT

STOPPEN

NL



← Stoppen frees werktuigen

De koppeling loslaten.



← Stoppen motor

De contactsluiter zetten op: ○ ●

ONDERHOUDSTABEL

Dagelijkse controles

Alvorens de motor aan te zetten, moeten de volgende punten gecontroleerd worden.

- Geen losgedraaide of gebroken bouten en moeren.



- ← ■ Kijken of het element van de luchtfilter schoon is.



Gebruik geen ontvlambaar oplosmiddel om het schuimlementen van de luchtfilter schoon te maken.



- ← ■ Oliepeil motor schoon

- Geen benzine en motor olie lekkages.



- ← ■ Benzinepeil toereikend

- Veiligheid van de omgeving.

- Geen buitensporige trillingen en geluiden.

Na de eerste 20 uren of om de maand

- Motor olie legen en vervangen

Om de 50 uur of om de 3 maanden

- De luchtfilter* schoonmaken (2 Fig. 4.3)

Om de 100 uur of om de 6 maanden

- Motor olie legen en vervangen
- Brandstof filter schoonmaken
- Bougie schoonmaken
- Vonkenvanger schoonmaken

Om de 300 uur of één keer per jaar

- Luchtfilter vervangen*
- Bougie vervangen
- Stationair bijstellen**
- De speling van de kleppen controleren**
- Brandstoffilter schoonmaken**
- Verbrandingskamer schoonmaken**
- Brandstof circuit controleren**

* Vaker schoonmaken als de machine gebruikt wordt in een stofrijke omgeving of in een omgeving met veel luchtdeeltjes.

** Niet absoluut noodzakelijk behalve in geval van problemen met het prestatievermogen (laten doen in een erkende werkplaats).

VERPLAATSEN EN HANTEREN



5.1

← Hanteren



Motor moet stilstaan en afgekoeld zijn.



5.2

← Verplaatsen



De motor uitzetten.

Het wiel op de kruk zetten in de verplaatsingstand.

De frezen optillen van de grond met behulp van het stuur en naar voren gaan.

EN

DE

FR

ES

IT

NL

1. HUSQVARNA AB

2. Husqvarna AB
Drottninggatan
561 82 Huskvarna (SWEDEN)

3. Husqvarna AB
Drottninggatan
561 82 Huskvarna (SWEDEN)

4. 6000**04**

5. LC154F

6. MFT44 154

7. 2006/42/CE - 2000/14/CE

EC Declaration of conformity

I, the undersigned (13) (2) declare by the present document that the machine described below complies with the provisions of the Machine Directives (7).
Description: Rotary tiller with IC engine; manufacturer (1); model (4); Type (5); Commercial Name (6); Serial Number (13).
Authorised representative to validate the technical documentation (3).
Reference to harmonised standards (8).
Guaranteed acoustic power level (9).
Measured acoustic power level (10).
Drawn up at: (11) date: (12), signatory: (13) signature: (14).
See Serial No. (15) on last page

CE-Konformitätserklärung

Ich, der Unterzeichner, (13) (2), erkläre hiermit, dass die nachstehende Maschine den Richtlinien (7) entspricht.
Bezeichnung: Motorhacke mit Verbrennungsmotor; Hersteller (1); Modell (4); Bauart (5); Handelsname (6); Seriennummer (13).
Zur Freigabe der technischen Unterlagen autorisierter Vertreter (3).
Bezug zu den harmonisierten Normen (8).
Garantierter Schallleistungspegel (9).
Gemessener Schallleistungspegel (10).
Ort: (11) Datum: (12), Unterzeichner: (13) Unterschrift: (14).
Siehe Seriennummer (15) auf der letzten Seite

Déclaration CE de conformité

Je, soussigné (13) (2) déclare par la présente que la machine décrite ci-dessous est conforme aux dispositions des Directives Machine (7).
Description : Motobineuse à moteur thermique; fabricant (1); modèle (4); Type (5); Nom commercial (6); Numéro de série (13).
Représentant autorisé à valider la documentation technique (3).
Référence aux normes harmonisées (8).
Niveau de puissance acoustique garantie (9).
Niveau de puissance acoustique mesurée (10).
Fait à : (11) date : (12), signataire : (13) signature : (14).
Voir n° de série (15) en dernière page

Declaración CE de conformidad

Yo, el abajo firmante (13) (2), declaro por la presente que la máquina descrita a continuación es conforme con lo dispuesto en las Directivas de Máquinas (7).
Descripción: Motoazada de motor térmico; fabricante (1); modelo (4); Tipo (5); Nombre comercial (6); Número de serie (13).
Representante autorizado encargado de validar la documentación técnica (3).
Referencia a las normas armonizadas (8).
Nivel de potencia acústica garantizada (9).
Nivel de potencia acústica medida (10).
Dado en: (11) fecha: (12), firmante: (13) firma: (14).
Ver n.º de serie (15) en la última página

Dichiarazione CE di conformità

Il sottoscritto (13) (2) dichiara che la macchina descritta qui sotto è conforme alle disposizioni delle Direttive Macchine (7).
Descrizione: Motozappa a motore termico; fabbricante (1); modello (4); Tipo (5); Denominazione commerciale (6); Numero di serie (13).
Rappresentante autorizzato a convalidare la documentazione tecnica (3).
Riferimento alle norme armonizzate (8).
Livello di potenza acustica garantita (9).
Livello di potenza acustica misurata (10).
Rilasciato a: (11) data: (12), nome della persona con facoltà di firma: (13) firma: (14).
Per il n° di serie (15) consultare l'ultima pagina

EG Verklaring van Overeenstemming

Hierbij verklaar ik ondergetekende (13) (2) dat de hieronder beschreven machine voldoet aan de bepalingen van de Machine Richtlijn (7).
Omschrijving: Motor schoffelmachine met verbrandingsmotor ; fabrikant (1); model (4); Type (5); Handelsnaam (6); Serienummer (13).
Vertegenwoordiger bevoegd om de technische documentatie goed te keuren (3).
Referentie met betrekking tot de geharmoniseerde normen (8).
Gegarandeerd geluidsvermogen niveau (9).
Gemeten niveau geluidsvermogen (10).
Opgemaakt in: (11) datum: (12), ondertekenaar: (13) handtekening: (14).
Zie serienummer (15) op de laatste bladzijde

8. EN 709 A4

11. Huskvarna

14.

9. 93 dB(A)

12. 23-07-2009



10. 92.3 ± 0.5 dB(A)

13. Bengt Ahlund

(15)



www.mcculloch.biz

115 40 90-20

Free Manuals Download Website

<http://myh66.com>

<http://usermanuals.us>

<http://www.somanuals.com>

<http://www.4manuals.cc>

<http://www.manual-lib.com>

<http://www.404manual.com>

<http://www.luxmanual.com>

<http://aubethermostatmanual.com>

Golf course search by state

<http://golfingnear.com>

Email search by domain

<http://emailbydomain.com>

Auto manuals search

<http://auto.somanuals.com>

TV manuals search

<http://tv.somanuals.com>