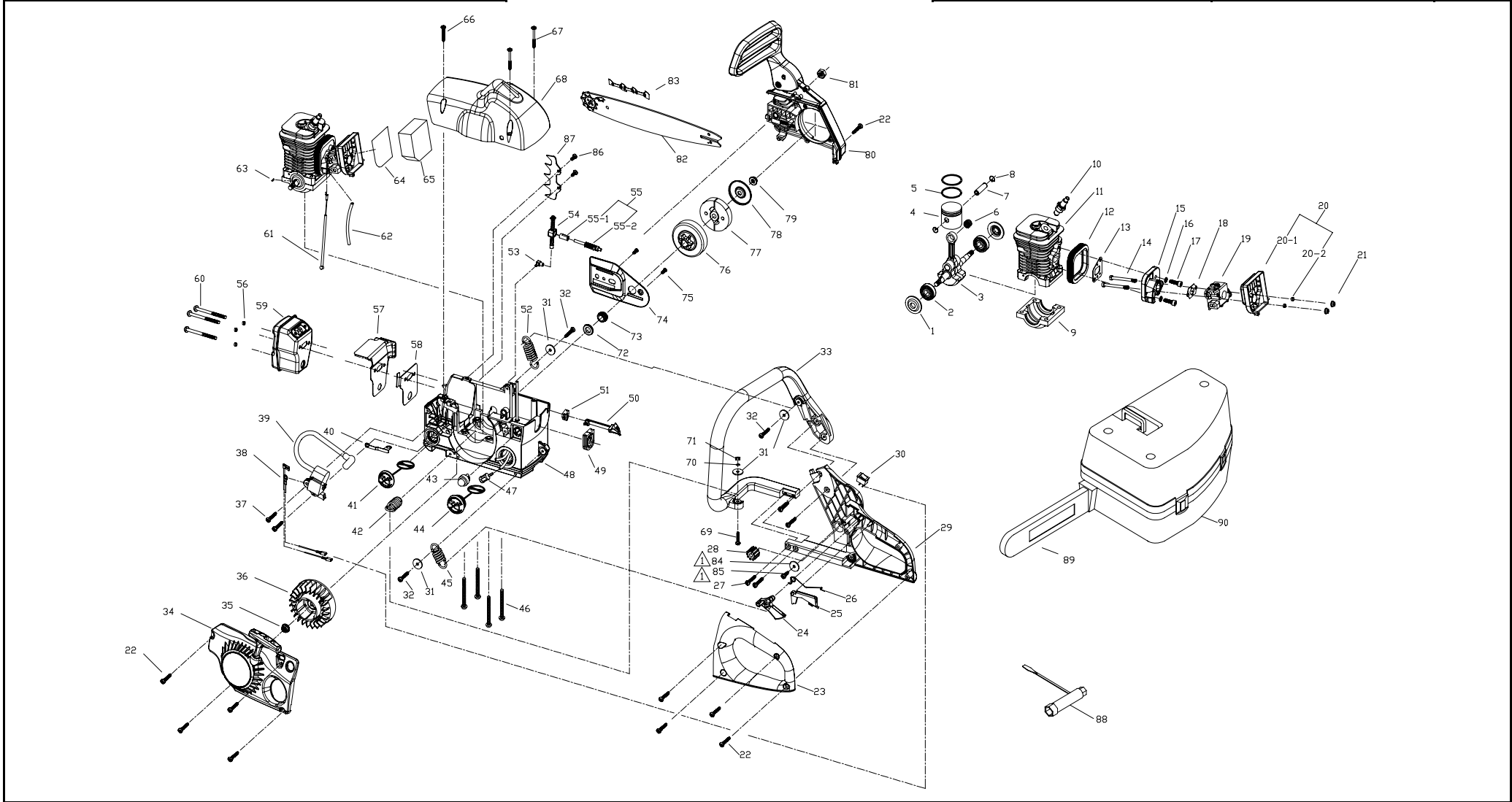




# SERVICE SPARE PARTS LIST

SPECIFY MODEL NO. WHEN ORDERING PARTS	
39CC 16" GAS CHAIN SAW	
MODEL NO.	41AY69CR077/MS1639NAVCC

DATE	REVISED DATE	PAGE
2/6/2006	N/A	1/2





## SERVICE SPARE PARTS LIST

<b>SPECIFY MODEL NO. WHEN ORDERING PARTS</b>		<b>DATE</b>	<b>REVISED DATE</b>	<b>PAGE</b>
<b>39CC 16" GAS CHAIN SAW</b>		<b>2/6/2006</b>	<b>N/A</b>	<b>2/2</b>
<b>MODEL NO.</b>	<b>41AY69CR077/MS1639NAVCC</b>			

No.	STK CODE	JFT Parts No.	Description	Q	No.	STK CODE	JFT Parts No.	Description	Q	No.	STK CODE	JFT Parts No.	Description	Q
1		9157-310502	CAP. BEARING	2	31		9WFB-05-21	WASHER	4	61		9010-310502	CABLE, THROTTLE	1
2		9DB-620101	BEARING	2	32		9SKKBY8/16-0.625	SCREW	3	62		9129-310504	FUEL PIPE	1
3		9228-310505	CRANK/ROD ASS'Y	1	33		9068-310503	HANDLE, FRONT	1	63		9221-310001	WOODRUFF KEY	1
4		9290-310502	PISTON	1	34		9228-MD0901	STARTER HOUSING ASS'Y	1	64		9183-310502	MESH	1
5		9189-310502	RING, PISTON	1	35		9NAB-5/16-24	NUT	1	65		9252-310501	FILTER, AIR	1
6		9NB-K101410	ROLLER, PISTON	1	36		9169-310501	FLYWHEEL	1	66		9SKKBY-8/16-1	SCREW	1
7		9PC-10-34.5-CH	PIN, PISTON	1	37		9SGEB-05-20	SCREW	2	67		9SKKBY8/16-1.4	SCREW	2
8		9CA-10.3	RING	2	38		9010-310503	WIRE ASS'Y	1	68		9017-310509	SHROUD	1
9		9072-310501F自	CASE, CRANK	1	39		9288-310501-CH	IGNITION ASS'Y	1	69		9SKKB-05-19	SCREW	1
10		9295-310502	SPARK PLUG	1	40		9051-310501	CONDUCTIVE PLATE	1	70		6WSB-05	SPRING WASHER	1
11		9292-310501F自	CYLINDER	1	41		9228-310207	OIL CAP ASS'Y	1	71		9NAB-05	NUT	1
12		9012-310502	RUBBER, ISOLATOR	1	42		9043-MD1003	FIX PLATE	1	72		9157-310501	FELT	1
13		9082-310505	SPACER	1	43		9142-310002	PRIMER	1	73		9073-310503	WORM	1
14		9STDB-05-60	SCREW	2	44		9228-310206	FUEL CAP ASS'Y	1	74		9017-310508	CAP, ANTI-DUST	1
15		9082-310504	ISOLATOR, CARBURETOR	1	45		9043-MD1002	FIX PLATE	1	75		6SDABB04-08	SCREW	2
16		6WSB-06	SPRING WASHER	2	46		9SFAB-06-55	SCREW	4	76		9228-310515	DRUM ASS'Y	1
17		9SACB-06-25	SCREW	2	47		9182-310503	FILTER	1	77		9228-310528	CLUTCH ASS'Y	1
18		9082-310506	SPACER	1	48		9228-310511	HOUSING ASS'Y	1	78		9077-310501	CAP, ANTI-DUST	1
19		9287-310501	CARBURETOR	1	49		9012-310503	HOLDER, CABLE	1	79		9NHC-09	NUT	1
20		9228-310510	AIR FILTER ASS'Y	1	50		9114-310510	LEVER, CHOKE (MTD BLUE)	1	80		9228-310550	BRAKE KIT ASS'Y	1
21		9NHZ-05	NUT	2	51		9012-310504	HOLDER, CHOKE LEVEL	1	81		9NAZ-5/16-18	NUT	1
22		9SGKBY10/14-0.625	SCREW	8	52		9043-MD1001	FIX PLATE	1	82		9040-310511	BAR	1
23		9068-310501	HANDLE, LEFT PART	1	53		9124-310102	CONNECTOR	1	83		6220-210816	CHAIN	1
24		9028-310502	TRIGGER, THROTTLE	1	54		9013-310501	OIL PIPE	1	84		9WFB-4.5-13	WASHER	1
25		9028-310501	TRIGGER, RELEASE	1	55		9228-310526	PUMP ASS'Y	1	85		9SKKBB-04-10	SCREW	1
26		9024-310504	SPRING	1	56		6WSB-06	WASHER	1	86		9SKKBY8/16-0.5	SCREW	2
27		9SKKBY10/14-0.68	SCREW	4	57		9082-310502	BAFFLE	1	87		9227-310501	SPIKED BUMPER	1
28		9027-310101	RUBBER	1	58		9082-310501	BAFFLE	1	88		9042-310201	WRENCH	1
29		9068-310502	HANDLE, REAR	1	59		9228-310504	MUFFLER ASS'Y	1	89		9017-310213	SCABBARD	1
30		9022-310501	SWITCH	1	60		9SXDB-06-70	SCREW	3	90		9120-310201	CARRY CASE	1

## Free Manuals Download Website

<http://myh66.com>

<http://usermanuals.us>

<http://www.somanuals.com>

<http://www.4manuals.cc>

<http://www.manual-lib.com>

<http://www.404manual.com>

<http://www.luxmanual.com>

<http://aubethermostatmanual.com>

Golf course search by state

<http://golfingnear.com>

Email search by domain

<http://emailbydomain.com>

Auto manuals search

<http://auto.somanuals.com>

TV manuals search

<http://tv.somanuals.com>