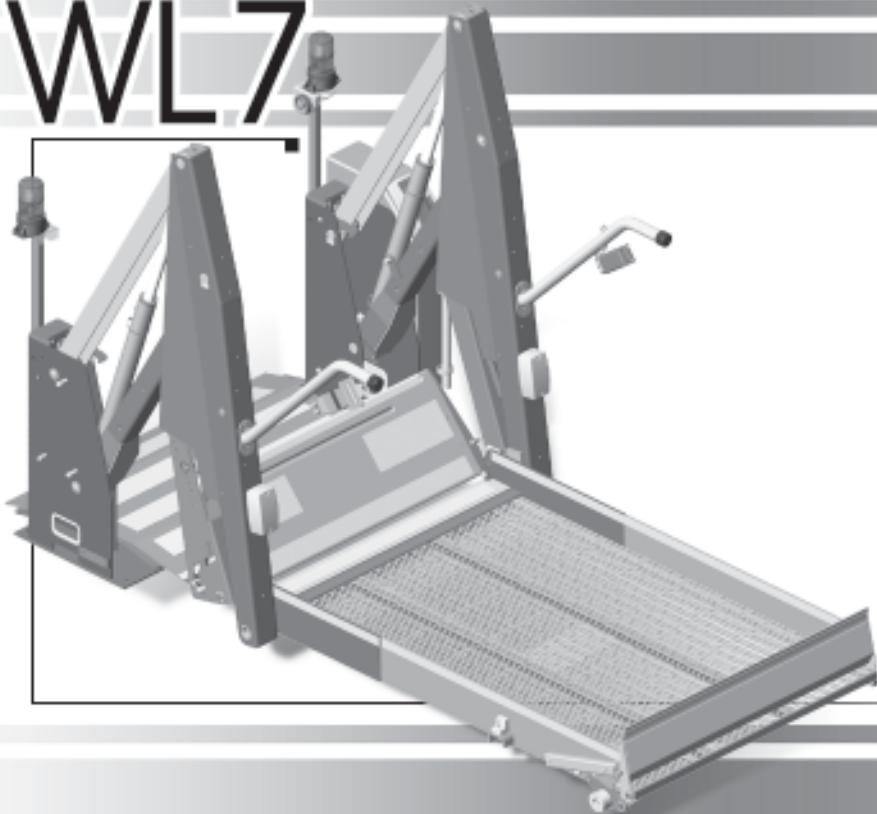


WL7

MAXON[®]
MOBILITY[™]



**OPERATING INSTRUCTIONS
FOR
WHEELCHAIR LIFT
MODEL NO. WL7**

DOT-Public Use Lift

PATENTS PENDING

© MAXON Lift Corp. 2005

MP-04-02
REV. C
SEPTEMBER 2005

PATENTS PENDING

TABLE OF CONTENTS

INTRODUCTION	4
SAFETY SUMMARY	4
DAILY PRE-OPERATION & OPERATION CHECKLIST	6
MAINTENANCE SCHEDULE	7
LIFT COMPONENTS & TERMINOLOGY	8
DECALS AND DECAL PLACEMENT	10
ANTI-SLIP & SAFETY STRIPING	13
OPERATING INSTRUCTIONS	15
ENTER VEHICLE	15
EXIT VEHICLE	17
STOW LIFT FROM VEHICLE FLOOR	19
STOW LIFT FROM GROUND LEVEL	19
MANUAL PUMP OPERATION	21
LOADING & UNLOADING OCCUPANT	21

PATENTS PENDING

INTRODUCTION

This manual contains safety information and operating instructions for the Maxon Wheelchair and Standing Occupant Lift. Read and understand the WARNINGS, SAFETY CONSIDERATIONS, and operating instructions in this manual, before operating the Lift.

SAFETY SUMMARY

WARNING

1. This Wheelchair Lift is intended for Commercial Use and to be operated by an Attendant. Do Not attempt to ride Lift without the assistance of an Attendant.
2. Incorrect operation of this Lift can result in serious personal injury. Comply with the WARNINGS and Lift operating instructions in this manual. Do not allow untrained persons to operate the Lift. If you need to replace an Operator's Manual, additional copies are available from:

MAXON Lift Corp.
11921 Slauson Ave
Santa Fe Springs, CA 90670
(800) 227-4116

3. Do not exceed rated load capacity of Lift which is **800 lbs. (364 kg).**

4. Do not allow any part of your body, or the Lift occupant's body, to be placed under, within, or around any portion of the moving Lift or its mechanisms, or in a position that would trap them between the platform and the ground (or vehicle) when Lift is operated.
5. Consider the safety and location of bystanders and location of nearby objects when operating the Lift. Stand to one side of platform while operating the Lift. Be certain that the area the Lift will move through during operation is clear of all obstacles.
6. Fasten Occupant Restraint Belt Before Operating Lift, but never tighten the belt. Leave a minimum of 3" - 4" slack in the belt. Lift will not operate correctly and may become a hazard if belt is tight.
7. If Lift is not operated for several days or more it may need to be repressurized. Use manual pump to pressurize the system before operating the Lift again. Low hydraulic pressure may cause Lift to operate incorrectly and become a hazard.
8. Always operate the Lift with the vehicle emergency brake set and vehicle parked on **Level** ground. Operating Lift without emergency brake set or parked on an incline may create a hazard for occupant and attendant.
9. Comply with all attached instruction decals and warning decals.
10. Above all, USE GOOD COMMON SENSE when operating this Lift.
11. Do not move vehicle when door is open.

ADDITIONAL SAFETY CONSIDERATIONS

1. When using the Lift, wheelchair may face outboard or inboard. If possible, position the wheelchair with occupant facing outboard.
2. An ambulatory (standing) occupant may face outboard or inboard. If possible, position ambulatory occupant on the Lift, facing the direction of travel (face vehicle when entering or face away when exiting), and holding on the handrails.

DAILY PRE-OPERATION & OPERATION CHECKLIST

NOTE: PRE-OPERATION and OPERATION CHECKS should be performed by the Lift Operator.

PRE-OPERATION CHECKS

Park vehicle on level ground, shift vehicle transmission to PARK, and set vehicle emergency brake before doing the following checks..

- Visually check Lift for bent or broken parts, or for hydraulic fluid around base. Have hydraulic fluid leaks, and the fluid level in reservoir, checked by a qualified technician.
- Check for hydraulic fluid leaking from cylinders. Lift may be operated if cylinders are “weeping” a light film of hydraulic fluid. If hydraulic fluid drips from either cylinder, have it checked by a qualified technician.
- Check that all Decals are in place, undamaged, and legible (see **DECALS** pages).
- Check that all anti-slip and safety striping is in place (see **ANTI-SLIP & SAFETY STRIPING** pages).
- If the Lift is dirty, clean it.
- Make sure the ON/OFF switch on the Pump Cover is turned ON. If indicator on the switch is illuminated, Lift has power to operate.**

NOTE: If any of the PRE-OPERATION CHECKS have incorrect indications, do not operate the Lift until repairs are performed by a qualified technician.

OPERATION CHECKS

Operate the Lift through one full cycle to do the following checks.

- Use Lift operating instructions in this manual to **UNFOLD, LOWER, RAISE, and FOLD** platform.
- Make sure the Lift responds properly to hand control switches.**
- Listen for unusual noises while the Lift operates.**
- Watch for uneven movement of the Lift arms, platform, and inboard and outboard rollstops.**

NOTE: If any of the OPERATION CHECKS have incorrect indications, discontinue operating Lift until repairs are performed by a qualified technician.

MAINTENANCE SCHEDULE

NOTE: The Lift Controller counts the number of cycles & lifts over the lifetime of the Lift. One **CYCLE** is counted each time the Lift is unfolded from the stowed position to floor level, lowered to the ground, raised to floor level, and then stowed. One **LIFT** is counted each time the Lift is lowered from floor level to the ground, and raised back to floor level. Read the **LIFTS** and **CYCLES** counts from the Lift Controller display window periodically so you know when to do the maintenance checks listed below.

NOTE: Only a qualified technician should do the scheduled maintenance on this page and confirm compliance with **Federal Motor Vehicle Safety Standard 403**. For the compliance checks, refer to the **COMPLETED LIFT INSTALLATION CHECKLIST** in Installation Manual **MP-04-01**.

EVERY 500 LIFTS

- Visually check the Lift for bent, broken, or worn out parts, and broken welds.
- Check the electrical wiring for worn insulation, and the terminals for corrosion and secure fit. Apply dielectric grease to connections if needed.
- Check for loose fasteners (nuts, bolts, screws & rivets). Also, check cotter pins, clevis pins, retaining ring pins & retaining rings for noticeable wear and damage.

- Check that all Decals are in place, undamaged, and legible (**see DECALS pages**).
- Check that all anti-slip and safety striping is in place and undamaged (**see ANTI-SLIP & SAFETY STRIPING pages**).

EVERY 2500 CYCLES

- Replace both latch Solenoids P/N 266955-01

EVERY 3000 LIFTS

- Check the Inboard Rollstop Actuator Assembly wiring connections, routing, and condition from Actuator to Controller. Repair if needed.

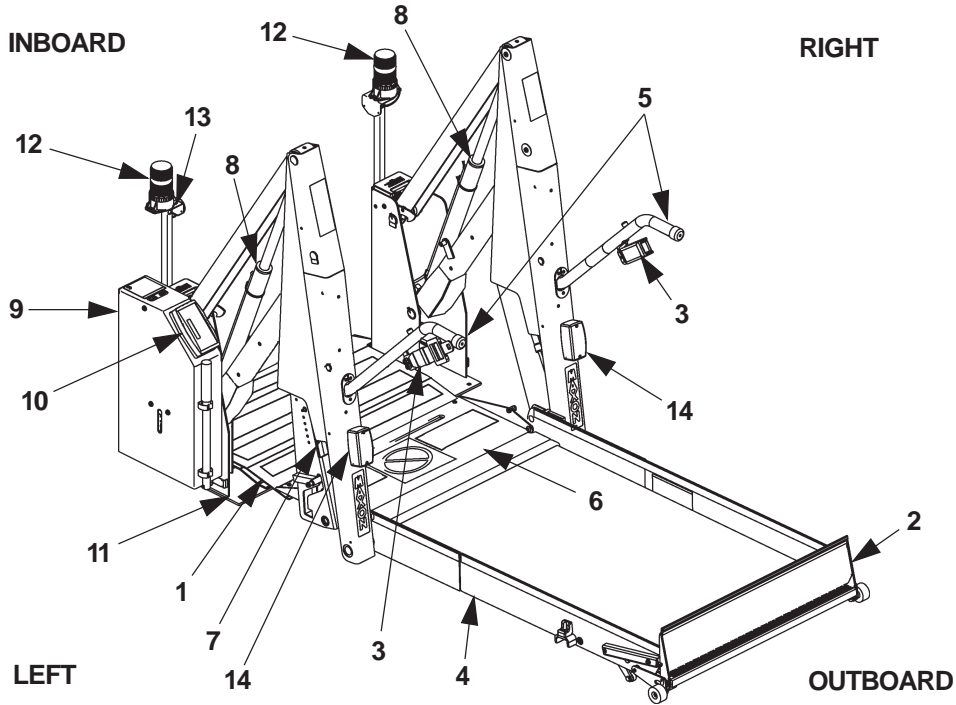
EVERY 5000 LIFTS

- Check the large bearing on slider-end of Actuator. If bearing looks worn at first inspection, remove and reinstall bearing with the ends reversed. Replace bearing P/N 266545-03, if follow-on inspections reveal more wear.
- Replace both Platform light bulbs P/N 906475-01.

EVERY 10000 LIFTS

- Check both Hydraulic Cylinders for leaks. If a film of hydraulic fluid is visible on cylinder seals Lift can still be operated. However, if fluid is dripping from the cylinders, replace them.

LIFT COMPONENTS & TERMINOLOGY



LIFT COMPONENTS (SEE TABLE 9-1)

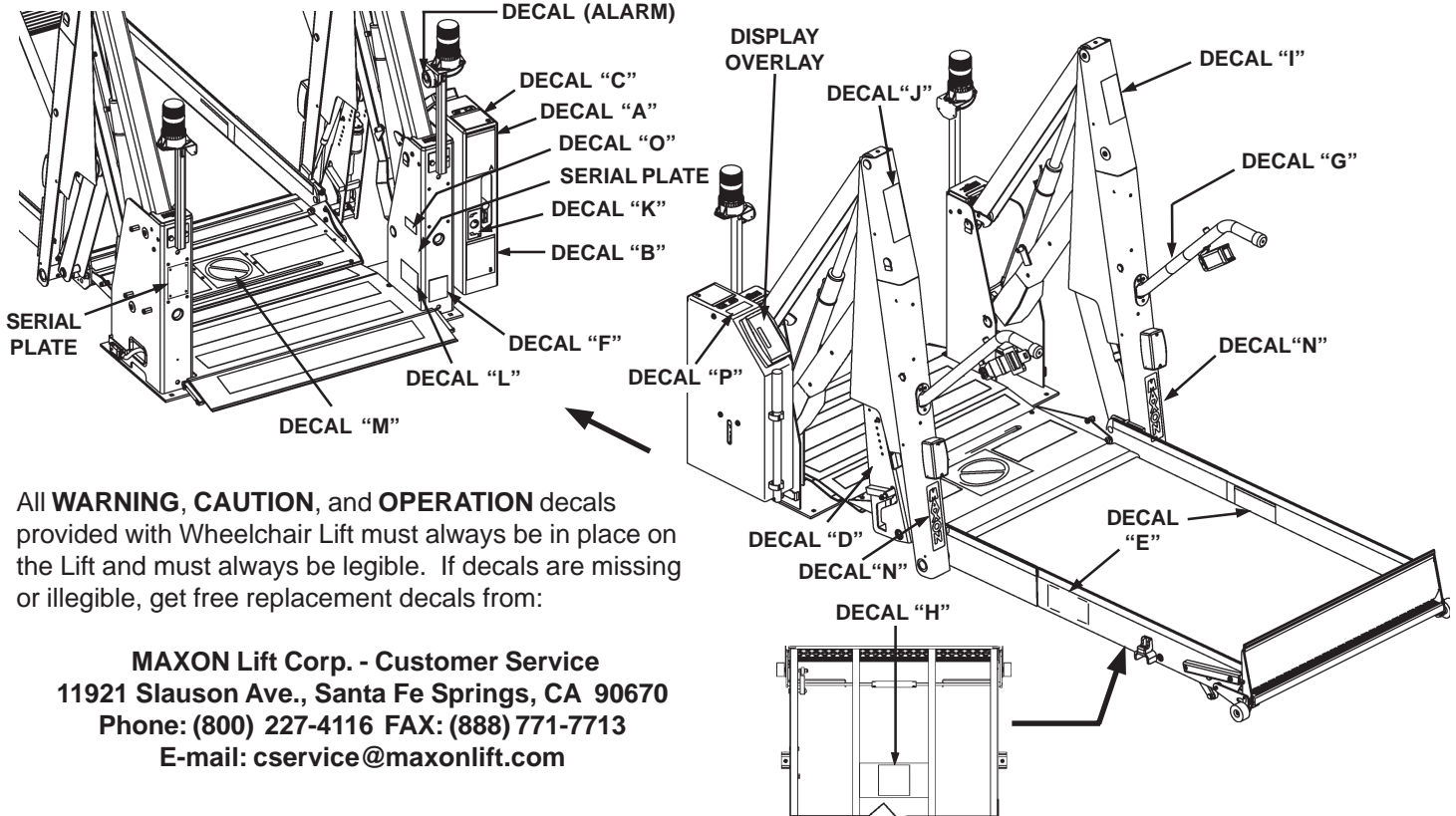
FIG. 8-1

ITEM	NAME	DESCRIPTION
1.	THRESHHOLD PLATE	Component that bridges the entry way, through the Lift, into the vehicle. Detects if that portion of Lift is occupied during "UP/DOWN" operation between vehicle floor and the ground.
2.	OUTBOARD ROLLSTOP	Barrier to prevent the Wheelchair from rolling off of the Platform. Also provides entry/exit ramp for Platform on the ground.
3.	SEAT BELT	Belt that acts as an additional barrier to keep the Wheelchair or ambulatory occupant on the Platform. Belt must be fastened for Lift to operate.
4.	PLATFORM	Contains the Wheelchair and Occupant during "UP/DOWN" operation between vehicle floor and the ground.
5.	HANDRAILS	(Left/Right) Provides a hand hold for the Lift Occupant.
6.	INBOARD ROLLSTOP	Barrier to prevent the Wheelchair from rolling off inboard side of Platform. Also, provides bridge between Platform and Threshold.
7.	ELECTRICAL ACTUATOR	Raises/lowers Inboard Rollstop.

ITEM	NAME	DESCRIPTION
8.	HYDRAULIC CYLINDER	(Left/Right) Telescoping steel tube and rod, pressurized by hydraulic fluid, that folds and unfolds the Lift and moves the Lift up and down.
9.	HYDRAULIC POWER UNIT (COVER IS SHOWN)	Contains motorized hydraulic pump, manually operated backup pump, fluid lines, and controls to operate the hydraulic cylinders.
10.	LIFT CONTROLLER	Electronic device that controls and monitors Lift operation and the interlock connection with the vehicle.
11.	BASE	Structure that secures Lift to the vehicle floor.
12.	THRESHOLD WARNING BEACON	Flashing red light indicates Threshold is occupied by a person or object during "UP/DOWN" operation between vehicle floor and the ground.
13.	THRESHOLD WARNING ALARM	Audible alarm sounds when Threshold is occupied by a person or object during "UP/DOWN" operation between vehicle floor and the ground.

TABLE 9-1

DECALS AND DECAL PLACEMENT



All **WARNING**, **CAUTION**, and **OPERATION** decals provided with Wheelchair Lift must always be in place on the Lift and must always be legible. If decals are missing or illegible, get free replacement decals from:

MAXON Lift Corp. - Customer Service
11921 Slauson Ave., Santa Fe Springs, CA 90670
Phone: (800) 227-4116 FAX: (888) 771-7713
E-mail: cservice@maxonlift.com

PATENTS PENDING

BACKUP OPERATING INSTRUCTIONS FOR UNLOADING PASSENGERS DOT-PUBLIC USE LIFT **A**

- PUMP TO PRESSURIZE
- RAISE LH & RH LATCHES
- OPEN VALVE
- UNFOLD TO FLOOR
- CLOSE VALVE
- PULL PIN & LOWER ROLLSTOP (SEE CAUTION DECAL)
- LOAD PASSENGER, RAISE ROLLSTOP & REINSERT PIN
- OPEN VALVE
- LOWER & UNLOAD
- CLOSE VALVE P/N 266704-01

BACKUP OPERATING INSTRUCTIONS FOR LOADING PASSENGERS DOT-PUBLIC USE LIFT **B**

- LOAD PASSENGER
- CLOSE VALVE
- PUMP
- OPEN VALVE
- PULL PIN, LOWER ROLLSTOP (SEE CAUTION DECAL)
- REINSERT PIN & UNLOAD PASSENGER
- PUMP
- STOW P/N 266704-01

MANUAL ROLLSTOP OPERATION **D**

- REMOVE PIN FROM STANDARD POSITION.
- MOVE ACTUATOR AND ROLL STOP UP.
- MAKE SURE ROLLER IS AT TOP OF SLOT.
- REINSTALL PIN. P/N 266704-01

OPERATING INSTRUCTIONS DOT-PUBLIC USE LIFT

UNFOLD LIFT:

- FULLY OPEN AND SECURE WHEELCHAIR DOOR(S).
- MAKE SURE OCCUPANT RESTRAINT BELT IS FASTENED.
- PUSH FOLD SWITCH FOR 1-2 SECONDS.
- PUSH UNFOLD SWITCH TO UNFOLD PLATFORM TO VEHICLE FLOOR LEVEL.

LOAD PASSENGERS:

- PUSH DOWN SWITCH TO LOWER PLATFORM TO GROUND LEVEL.
- UNFASTEN OCCUPANT RESTRAINT BELT.
- POSITION WHEELCHAIR IN THE CENTER OF PLATFORM AND LOCK WHEELCHAIR BRAKES.
- FASTEN OCCUPANT RESTRAINT BELT.
- PUSH UP SWITCH TO RAISE PLATFORM TO VEHICLE FLOOR LEVEL.
- RELEASE WHEELCHAIR BRAKES.
- LOAD WHEELCHAIR IN VEHICLE.

UNLOAD PASSENGERS:

- POSITION WHEELCHAIR IN THE CENTER OF PLATFORM AND LOCK WHEELCHAIR BRAKES.
- MAKE SURE OCCUPANT RESTRAINT BELT IS FASTENED.
- PUSH DOWN SWITCH TO LOWER PLATFORM TO GROUND LEVEL.
- UNFASTEN OCCUPANT RESTRAINT BELT.
- RELEASE WHEELCHAIR BRAKES.
- UNLOAD WHEELCHAIR FROM PLATFORM.

STOW LIFT:

FROM VEHICLE FLOOR LEVEL

- MAKE SURE PLATFORM IS EMPTY AND OCCUPANT RESTRAINT BELT IS FASTENED.
- PUSH FOLD SWITCH UNTIL PLATFORM FOLDS COMPLETELY, UNDER HYDRAULIC PRESSURE.

FROM GROUND LEVEL:

- MAKE SURE PLATFORM IS EMPTY AND OCCUPANT RESTRAINT BELT IS FASTENED.
- PUSH UP SWITCH TO RAISE PLATFORM TO VEHICLE FLOOR LEVEL.
- PUSH FOLD SWITCH UNTIL PLATFORM FOLDS COMPLETELY, UNDER HYDRAULIC PRESSURE.

F P/N 266704-01

WARNING

H

To avoid possible injury, stand clear of the Lift Platform. P/N 266704-01

CAUTION

C

ROLLSTOP
THRESHOLD PLATE

Prevent injury & damage to lift. Make sure Rollstop rests on top of Threshold Plate before loading & unloading passengers. Raise or lower Platform until Rollstop rests correctly on Threshold Plate. P/N 266704-01

STANDING POSITION ON PLATFORM

Position a standing passenger in center of platform between handrails, gripping handrails, and facing direction of travel. P/N 266704-01

FASTEN OCCUPANT RESTRAINT BELT BEFORE OPERATING LIFT

G

P/N 266704-01

CAUTION

P

Inboard Rollstop and vehicle can be damaged during Manual Operation if lift power is switched OFF. Make sure power switch is ON & illuminated before manually operating lift. P/N 266704-01

WARNING

THIS WHEELCHAIR LIFT MUST BE OPERATED BY AN ATTENDANT. DO NOT ATTEMPT TO RIDE LIFT WITHOUT THE ASSISTANCE OF AN ATTENDANT. IMPROPER OPERATION OF THIS LIFT CAN RESULT IN SERIOUS PERSONAL INJURY. DO NOT OPERATE UNLESS YOU HAVE BEEN PROPERLY INSTRUCTED AND HAVE READ, AND ARE FAMILIAR WITH, THE OPERATING INSTRUCTIONS AND SAFETY SUMMARY CONTAINED IN THE OPERATOR'S MANUAL. IF YOU DO NOT HAVE A COPY OF THE OPERATOR'S MANUAL, ADDITIONAL COPIES ARE AVAILABLE FROM:

MAXON LIFT CORP.
1121 SLAUSON AVE.
SANTA FE SPRINGS, CA 90670
(800) 227-4116
WWW.MAXONMOBILITY.COM

DO NOT EXCEED RAISED LOAD CAPACITY OF LIFT WHICH IS:

800 lbs. (364 kg)

J P/N 266704-02

TO UNFOLD & LOWER, OPEN VALVE SLOWLY

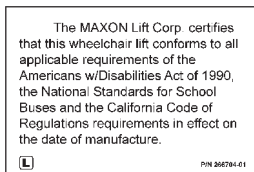
TO STOP UNFOLDING & LOWERING OR PREPARE TO RAISE & FOLD, CLOSE VALVE TIGHTLY

K P/N 266704-01

DECAL SET P/N 266704-01

FIG. 11-1

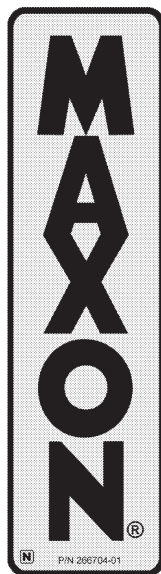
DECALS AND DECAL PLACEMENT - Continued



DECAL (ALARM)
P/N 266686-01

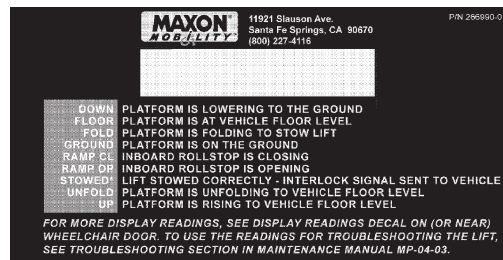


SERIAL PLATE
P/N 905246-8



DECAL SET P/N 266704-01

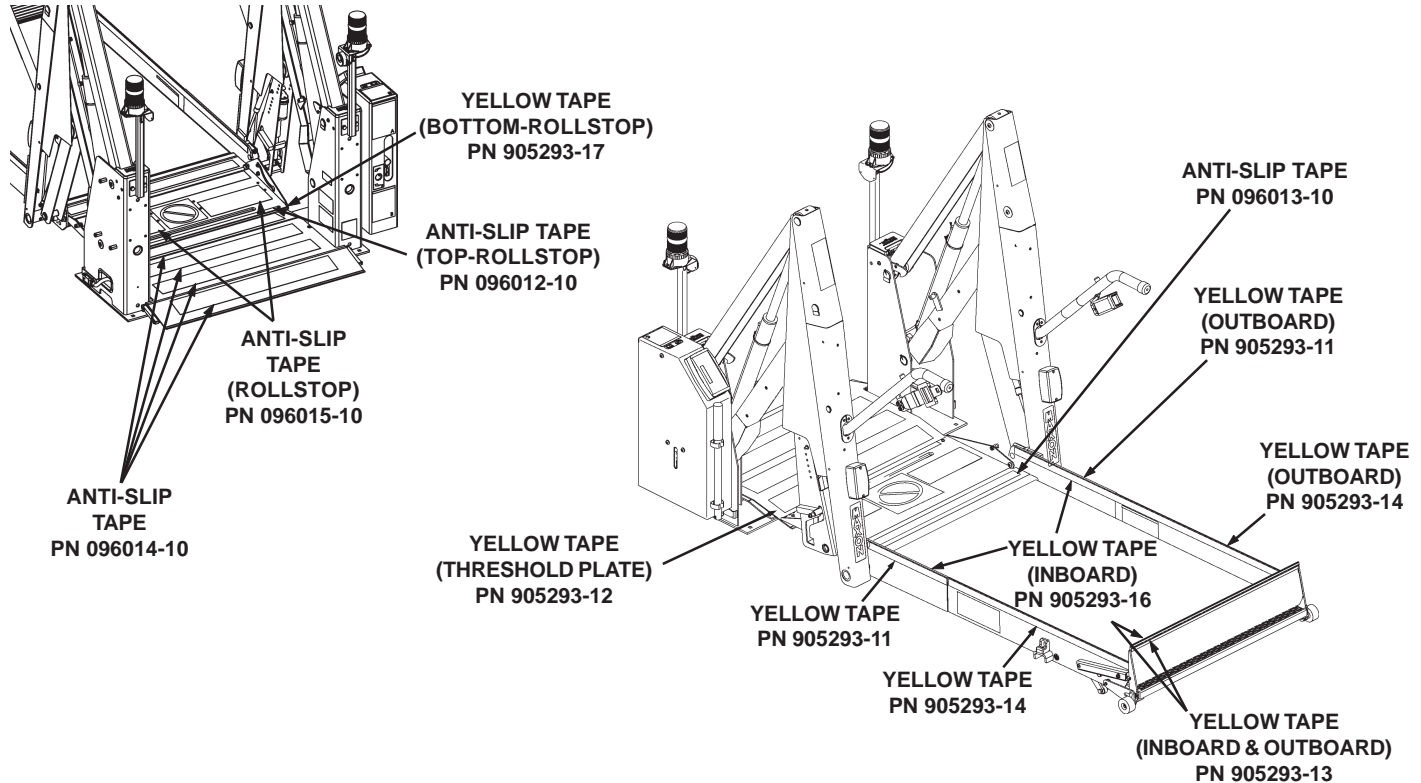
FIG. 12-1



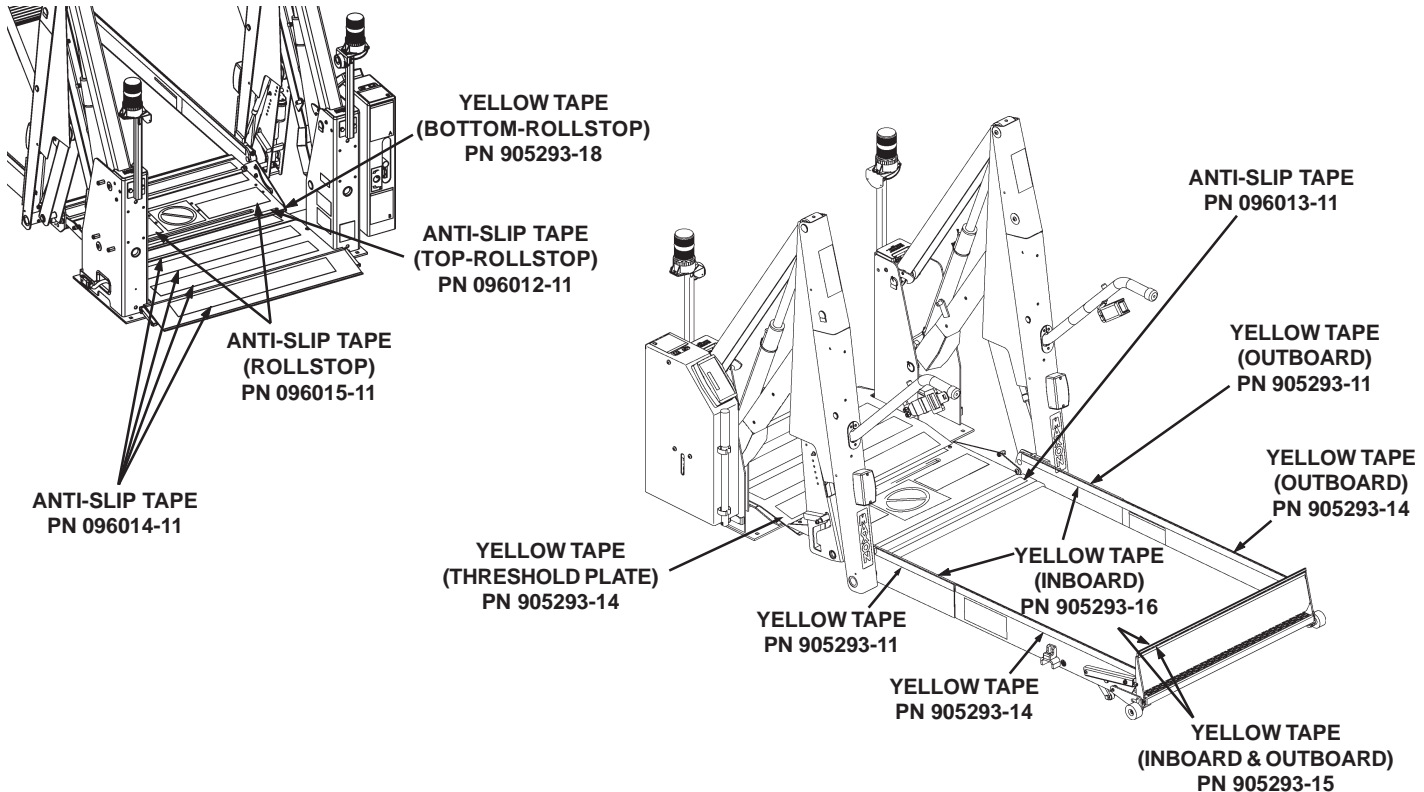
DECAL-OVERLAY
P/N 266990-01

PATENTS PENDING

ANTI-SLIP & SAFETY STRIPING (30" WIDE PLATFORM)



ANTI-SLIP & SAFETY STRIPING - Continued (33" WIDE PLATFORM)



PATENTS PENDING

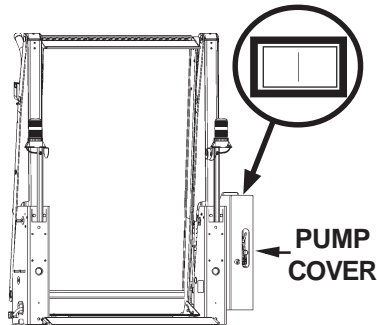
OPERATING INSTRUCTIONS

ENTER VEHICLE

NOTE: If equipped, Seat Belt must be fastened for Lift to operate.

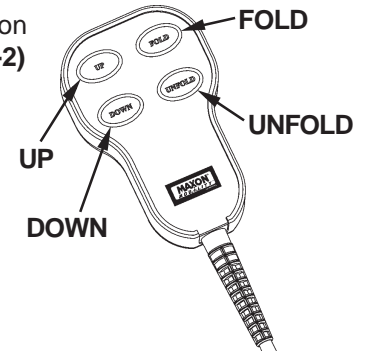
1. Fully open and secure Wheelchair Lift access door(s) on the vehicle.

2. Apply power to the Lift by turning **ON** switch on the Pump Cover (**FIG. 15-2**). The switch is illuminated when turned **ON**.

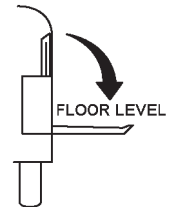


**POWER SWITCH
(LH PUMP SHOWN)
FIG. 15-1**

3. Push the **UNFOLD** switch on **HAND CONTROL (FIG. 15-2)** to unfold **PLATFORM** to horizontal position (**FIG. 15-3**).



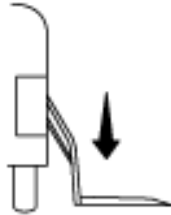
**HAND CONTROL
FIG. 15-2**



**UNFOLD PLATFORM
FIG. 15-3**

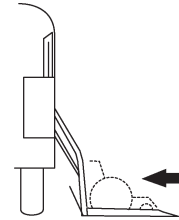
OPERATING INSTRUCTIONS - Continued

4. Push the **DOWN** switch on **HAND CONTROL (FIG. 14-1)** to lower **PLATFORM** to ground level (**FIG. 16-1**).



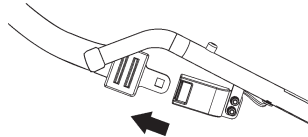
**LOWER PLATFORM
TO GROUND
FIG. 16-1**

6. Position wheelchair or ambulatory occupant on the center of **PLATFORM (FIG. 16-3)**. **SET WHEELCHAIR BRAKES** or **SWITCH OFF POWERED WHEELCHAIR**.



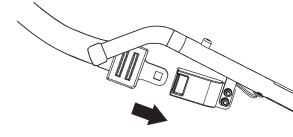
**POSITIONING OCCUPANT
ON PLATFORM AT
GROUND LEVEL
FIG. 16-3**

5. If equipped, unfasten **SEAT BELT (FIG. 16-2)**, and place on hanger provided.



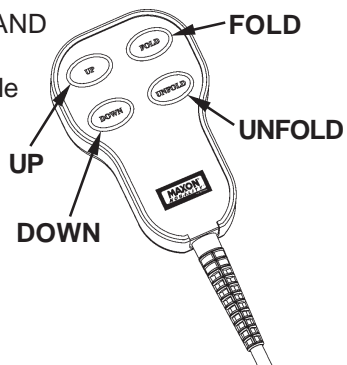
**UNFASTENING SEAT BELT
FIG. 16-2**

7. If equipped, fasten **SEAT BELT** allowing 3" - 4" of slack (**FIG. 16-4**).



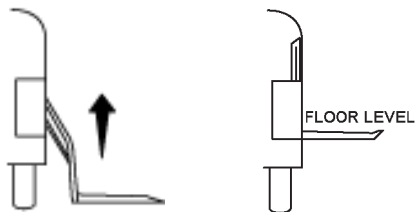
**FASTENING SEAT BELT
FIG. 16-4**

- Push the **UP** switch on **HAND CONTROL (FIG. 17-1)** to raise **PLATFORM** to vehicle floor level (**FIG. 17--2**).



HAND CONTROL
FIG. 17-1

- RELEASE WHEELCHAIR BRAKES or SWITCH ON POWERED WHEELCHAIR.**
Move wheelchair or ambulatory occupant inside the vehicle.



RAISING LIFT UP TO VEHICLE FLOOR LEVEL
FIG. 17-2

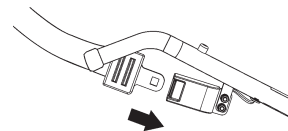
EXIT VEHICLE

- Fully open and secure Wheelchair Lift access door(s) on the vehicle.
- Push the **UNFOLD** switch on **HAND CONTROL (FIG. 17-1)** to unfold **PLATFORM** to horizontal position (**FIG. 17-3**).



UNFOLD PLATFORM
FIG. 17-3

- If equipped, make sure **SEAT BELT** is fastened (**FIG. 17-4**) with 3" - 4" of slack in belt.

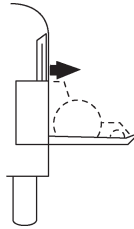


FASTENING SEAT BELT
FIG. 17-4

OPERATING INSTRUCTIONS - Continued

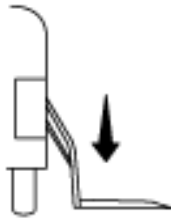
4. Position wheelchair or ambulatory occupant on the center of platform (FIG. 18-1).

SET WHEELCHAIR BRAKES OR SWITCH OFF POWERED WHEELCHAIR.



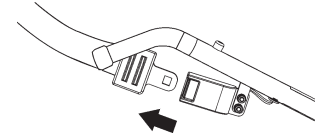
POSITIONING OCCUPANT ON PLATFORM AT FLOOR LEVEL
FIG. 18-1

5. Push the DOWN switch on hand control (FIG. 16-1) to lower PLATFORM to ground level (FIG. 18-2).



LOWERING PLATFORM TO GROUND
FIG. 18-2

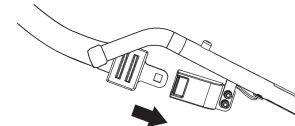
6. If equipped, unfasten SEAT BELT (FIG. 18-3) and place on hanger provided.



UNFASTENING SEAT BELT
FIG. 18-3

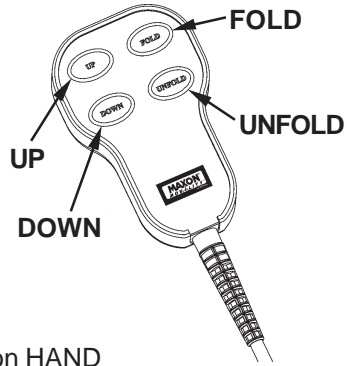
7. **RELEASE WHEELCHAIR BRAKES or SWITCH ON POWERED WHEELCHAIR.** Move wheelchair or ambulatory occupant into the passenger unloading zone.

8. If equipped, make sure SEAT BELT is fastened (FIG. 18-4) with 3" - 4" of slack in belt.



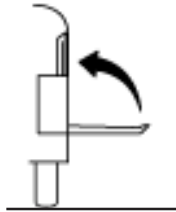
FASTENING SEAT BELT
FIG. 18-4

STOW LIFT FROM VEHICLE FLOOR



**HAND CONTROL
FIG. 19-1**

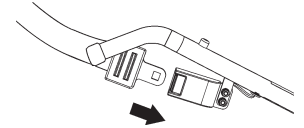
Push the **FOLD** switch on HAND CONTROL (FIG. 19-1) to close PLATFORM (FIG. 19-2). Fold operation will stop automatically when completed.



**FOLDING PLATFORM
UP INTO VEHICLE
FIG. 19-2**

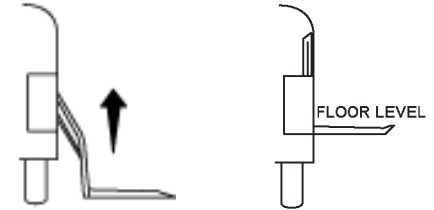
STOW LIFT FROM GROUND LEVEL

1. If equipped, fasten SEAT BELT allowing 3" - 4" of slack (FIG. 19-3).



**FASTENING SEAT BELT
FIG. 19-3**

2. Push the **UP** switch on HAND CONTROL (FIG. 19-1) to raise PLATFORM to vehicle floor level (FIG. 19-4).



**RAISING LIFT UP TO VEHICLE FLOOR LEVEL
FIG. 19-4**

3. Push the **FOLD** switch on HAND CONTROL (FIG. 19-1) to fold PLATFORM (FIG. 19-2). Fold operation will stop automatically when completed.

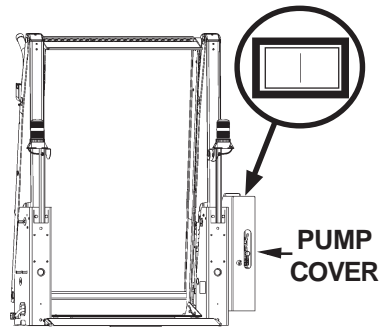
THIS PAGE INTENTIONALLY LEFT BLANK

OPERATING INSTRUCTIONS - Continued

MANUAL PUMP OPERATION

NOTE: If possible, keep the Lift power **ON/OFF** switch turned **ON**. In most cases, operating the Lift with Manual Pump may be easier if power is **ON**. Manual pump operating instructions for the Lift are also located on Pump Cover. See **DECALS AND DECAL PLACEMENT** in this manual.

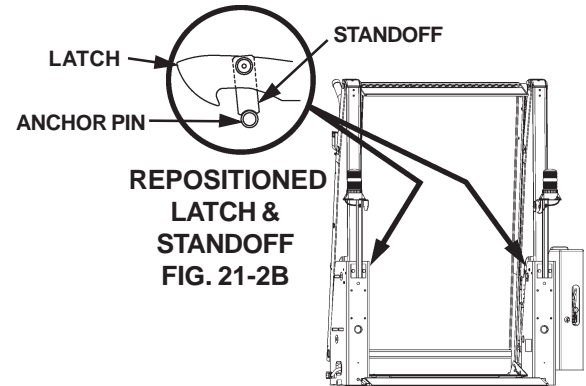
If possible, apply power to the Lift by turning **ON** switch on the Pump Cover (**FIG. 21-1**). The switch is illuminated when turned **ON**.



**POWER SWITCH
(LH PUMP SHOWN)
FIG. 21-1**

LOADING & UNLOADING OCCUPANT

1. Reposition latches to manually unfold the Lift as follows. Raise latch off anchor pin (**FIG. 21-2B**) on LH side of Lift. Position the standoff to hold latch in place above the anchor pin (**FIG. 21-2B**). Repeat for latch on RH side of Lift.

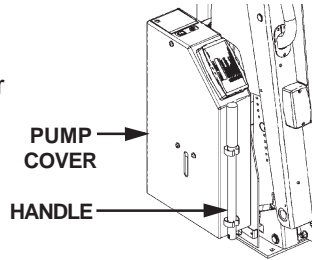


**LIFT - BACK VIEW
FIG. 21-2A**

OPERATING INSTRUCTIONS - Continued

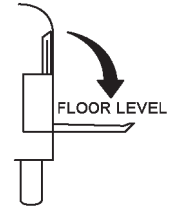
MANUAL PUMP OPERATION - Continued

2. Remove the MANUAL BACKUP HANDLE from clips on the Pump Cover (FIG. 22-1).



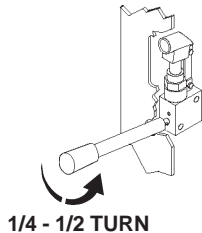
**MANUAL BACKUP HANDLE
(LH PUMP SHOWN)
FIG. 22-1**

4. Observe the PLATFORM unfolding to horizontal position at vehicle floor level (FIG. 22-3).



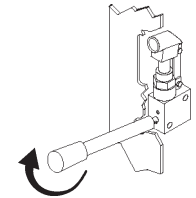
**UNFOLD PLATFORM
FIG. 22-3**

3. Unfold the PLATFORM as follows. Open pressure release valve on Manual Pump by turning MANUAL BACKUP HANDLE counter-clockwise (FIG. 23-2). Start with 1/4 turn and slowly increase to 1/2 turn counter-clockwise.



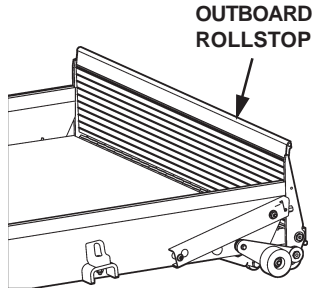
**OPEN PRESSURE
RELEASE VALVE
FIG. 23-2**

5. When the PLATFORM reaches floor level, close pressure release valve on Manual Pump by turning MANUAL BACKUP HANDLE clockwise until tight (FIG. 23-4).



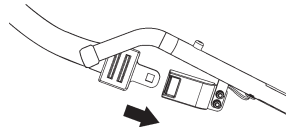
**TIGHTEN
CLOSE PRESSURE
RELEASE VALVE
FIG. 23-4**

6. Ensure OUTBOARD ROLLSTOP is raised up all the way (**FIG. 23-1**).



**OUTBOARD ROLLSTOP
RAISED UP
FIG. 23-1**

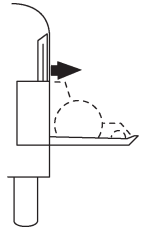
7. If equipped, make sure SEAT BELT is fastened (**FIG. 23-2**) with 3" - 4" of slack in belt.



**FASTENING SEAT BELT
FIG. 23-2**

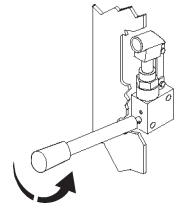
NOTE: If there are no occupants to unload from vehicle, skip step 8.

8. Position wheelchair or ambulatory occupant on the center of Platform (**FIG. 23-3**).
SET WHEELCHAIR BRAKES OR SWITCH OFF POWERED WHEELCHAIR.



**POSITIONING OCCUPANT
ON PLATFORM
FIG. 23-3**

9. Lower the PLATFORM as follows. Re-enter the vehicle to access Manual Pump. Open pressure release valve on Manual Pump by turning MANUAL BACKUP HANDLE counter-clockwise (**FIG. 23-4**). Start with 1/4 turn and slowly increase to 1/2 turn counter-clockwise. Lower the Lift slowly below floor level and check if Inboard Rollstop raises up all the way.



**1/4 - 1/2 TURN
OPEN PRESSURE
RELEASE VALVE
FIG. 23-4**

PATENTS PENDING

OPERATING INSTRUCTIONS - Continued

MANUAL PUMP OPERATION - Continued

NOTE: If the Inboard Rollstop automatically rises all the way, skip step 10. Do not unpin the Actuator

10. If the Inboard Rollstop does not raise up all the way, unpin Actuator and manually RAISE the INBOARD ROLLSTOP and Actuator (FIG. 24-2). Pin ACTUATOR to closest matching hole on Closer Arm (FIG. 24-1).

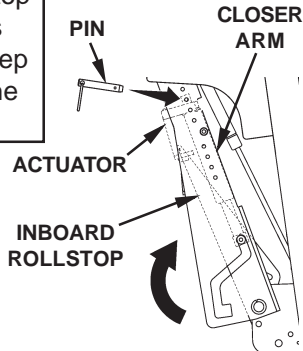
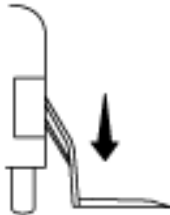


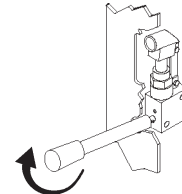
FIG. 24-1

11. Watch PLATFORM (FIG. 24-2) as it lowers occupant to the ground.



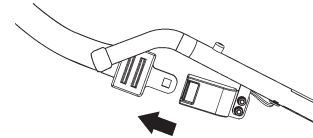
LOWER PLATFORM
TO GROUND
FIG. 24-2

12. When PLATFORM rests on the ground, close pressure release valve on Manual Pump by turning MANUAL BACKUP HANDLE clockwise until tight (FIG. 24-3).



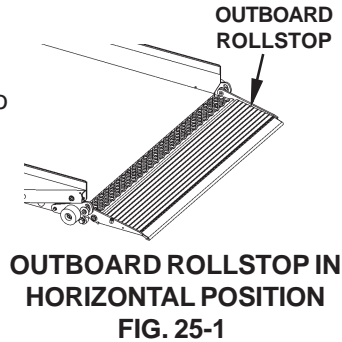
TIGHTEN
CLOSE PRESSURE
RELEASE VALVE
FIG. 24-3

13. If equipped, unfasten SEAT BELT (FIG. 24-4). Store on hanger provided.



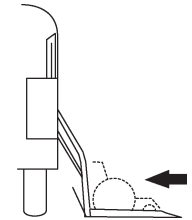
UNFASTENING SEAT BELT
FIG. 24-4

14. Ensure **OUTBOARD ROLLSTOP** on Lift **PLATFORM** is opened to the horizontal position (**FIG. 25-1**).



NOTE: If there are no occupants to load on Platform, skip step 16.

16. Position wheelchair or ambulatory occupant on the center of Platform (**FIG. 25-3**). **SET WHEELCHAIR BRAKES OR SWITCH OFF POWERED WHEELCHAIR.**

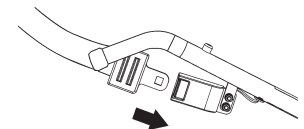


POSITIONING OCCUPANT ON PLATFORM
FIG. 25-3

NOTE: If there are no occupants to unload, skip step 15.

15. **RELEASE WHEELCHAIR BRAKES or SWITCH ON POWERED WHEELCHAIR.** Move wheelchair or ambulatory occupant into the unloading zone.

17. If equipped, fasten **SEAT BELT** (**FIG. 25-4**). Allow 3" - 4" of slack in belt.

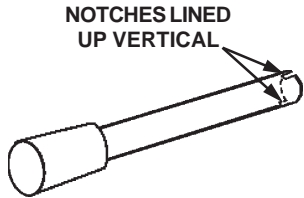


FASTENING SEAT BELT
FIG. 25-4

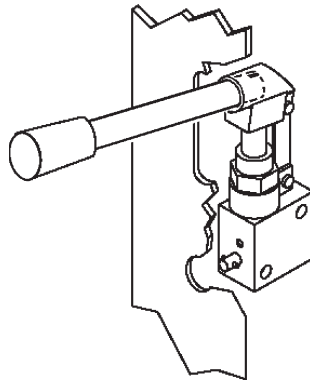
MANUAL PUMP OPERATION - Continued

CAUTION

Prevent the MANUAL BACKUP HANDLE from getting damaged. Before you start pumping with the HANDLE, line up notches on tip of HANDLE as shown in FIG. 26-1. Then fully engage HANDLE with Manual Pump as shown in FIG. 26-2.

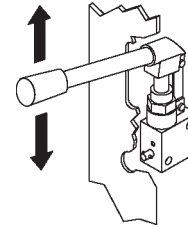


**HANDLE - NOTCHES
LINED UP CORRECTLY
FIG. 26-1**

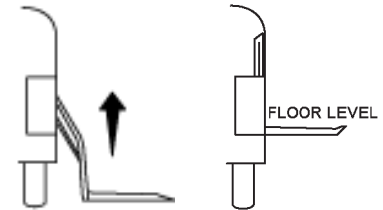


**HANDLE FULLY ENGAGED
FIG. 26-2**

18. Raise the PLATFORM as follows. Insert MANUAL BACKUP HANDLE in Manual Pump actuator. Pump the handle up and down (**FIG. 26-2**) until PLATFORM is raised up even with the vehicle floor (**FIG. 26-4**) and Inboard Rollstop lowers to rest on Threshold Plate.



**PUMPING MANUAL
BACKUP HANDLE
FIG. 26-3**



**RAISING LIFT TO
VEHICLE FLOOR
FIG. 26-4**

CAUTION

To prevent damage to Lift and vehicle, Inboard Rollstop must be lowered on the Threshold Plate before stowing the Lift. If the Inboard Rollstop does not automatically lower, it must be lowered manually. If lowered manually, pin it in position as close as possible to Threshold Plate.

NOTE: If the Inboard Rollstop automatically lowered to Threshold Plate, skip step 19. Do not unpin the Actuator.

19. If the ACTUATOR will not lower Inboard Rollstop at floor level, unpin ACTUATOR from the Closer Arm (FIG. 27-1).

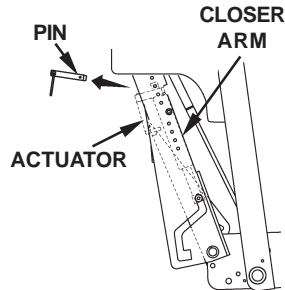


FIG.27-1

20. Manually LOWER the INBOARD ROLLSTOP to THRESHHOLD PLATE (FIG. 27-2). Then pin ACTUATOR to nearest hole on Closer Arm (FIG. 27-2).

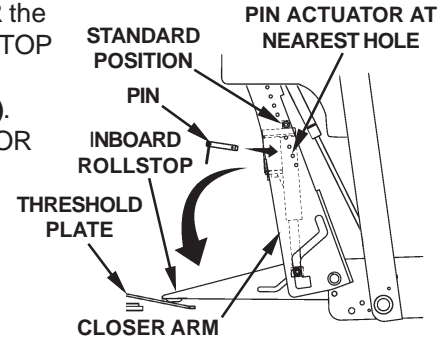


FIG. 27-2

NOTE: If there are no occupants to load on Platform, skip step 21.

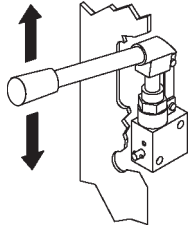
21. **RELEASE WHEELCHAIR BRAKES or SWITCH ON POWERED WHEELCHAIR.** Move wheelchair or ambulatory occupant inside the vehicle.

MANUAL PUMP OPERATION - Continued

CAUTION

To prevent damage to Lift and vehicle, after Lift is restored to correct operation, pin the Inboard Rollstop in STANDARD position (FIG. 27-2).

22. Stow the Lift as follows.
Pump the MANUAL BACKUP HANDLE up and down (FIG. 28-1) until PLATFORM folds up tightly inside the vehicle (FIG. 28-2)

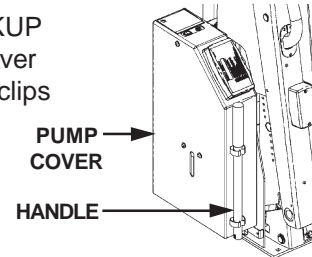


**PUMPING MANUAL
BACKUP HANDLE
FIG. 28-1**



**FOLDING PLATFORM
UP INTO VEHICLE
FIG. 28-2**

23. Store MANUAL BACKUP HANDLE on Pump Cover (FIG. 28-3) using the clips provided.



**MANUAL BACKUP HANDLE
(LH PUMP SHOWN)
FIG. 28-3**

Free Manuals Download Website

<http://myh66.com>

<http://usermanuals.us>

<http://www.somanuals.com>

<http://www.4manuals.cc>

<http://www.manual-lib.com>

<http://www.404manual.com>

<http://www.luxmanual.com>

<http://aubethermostatmanual.com>

Golf course search by state

<http://golfingnear.com>

Email search by domain

<http://emailbydomain.com>

Auto manuals search

<http://auto.somanuals.com>

TV manuals search

<http://tv.somanuals.com>