

**CLD**  
**CYCLICAL LEVER DRIVE**  
**(9000 WHEELCHAIRS)**

DEALER: THIS MANUAL MUST BE GIVEN TO THE USER OF THE CLD.

USER: BEFORE USING THE CLD, READ THIS MANUAL AND SAVE FOR FUTURE REFERENCE.



## WARNING

DO NOT USE THIS EQUIPMENT WITHOUT FIRST READING AND UNDERSTANDING THIS MANUAL AND THE 9000 WHEELCHAIR OWNER'S MANUAL (PART NUMBER 1056953). IF YOU ARE UNABLE TO UNDERSTAND THE WARNINGS, CAUTIONS, AND INSTRUCTIONS, CONTACT A HEALTHCARE PROFESSIONAL, DEALER OR TECHNICAL PERSONNEL IF APPLICABLE BEFORE ATTEMPTING TO USE THIS EQUIPMENT - OTHERWISE INJURY OR DAMAGE MAY RESULT.

## SPECIAL NOTES

WARNING/CAUTION notices as used in this manual apply to hazards or unsafe practices which could result in personal injury or property damage.

### NOTICE

THE INFORMATION CONTAINED IN THIS DOCUMENT IS SUBJECT TO CHANGE WITHOUT NOTICE.

**SAVE THESE INSTRUCTIONS**

# TABLE OF CONTENTS

<b>SPECIAL NOTES .....</b>	<b>2</b>
<b>SAFETY SUMMARY .....</b>	<b>3</b>
<b>MAINTENANCE .....</b>	<b>3</b>
<b>PROCEDURE 1 - DRIVING .....</b>	<b>4</b>
SHIFTING, STEERING AND DRIVING .....	4
ADJUSTING DRIVE ARM HEIGHT .....	5
ADJUSTING DRIVE ARM RELEASE LEVER AND/OR BRACKET LEVER .....	5
ADJUSTING DRIVE ARM TENSION .....	5
<b>PROCEDURE 2 - WHEEL LOCK/BRAKE .....</b>	<b>6</b>
CONVERTING WHEEL LOCK TO BRAKE AND VICE VERSA .....	6
USING THE WHEEL LOCK .....	6
USING THE BRAKE .....	6
<b>PROCEDURE 3 - STEERING LINK .....</b>	<b>7</b>
CONNECTING/REMOVING THE STEERING LINK TO/FROM THE FORK .....	7
<b>LIMITED WARRANTY .....</b>	<b>BACK COVER</b>

C  
O  
N  
T  
E  
N  
T  
S

S  
A  
F  
E  
T  
Y  
  
S  
U  
M  
M  
A  
R  
Y

## SAFETY SUMMARY

*NOTE: Refer to the 9000 wheelchair Owner's Manual (Part Number 1056953) for additional safety information.*

### GENERAL WARNINGS

- The steering link must be removed from the fork for attendant operation. Otherwise the attendant will be unable to steer the wheelchair properly.
- The steering link must be connected to the fork when the CLD is in use. Otherwise the user will be unable to steer the wheelchair safely.
- DO NOT operate the CLD on hills or inclines.
- The weight limitation for the CLD is 250 lbs.

## MAINTENANCE

*NOTE: Refer to the 9000 wheelchair Owner's Manual (Part Number 1056953) for overall maintenance requirements.*

### EVERY THREE (3) MONTHS

- Place a drop of oil on all linkage points (3-in-1 oil<sup>®</sup> or equivalent).
- Inspect and tighten bolts if loosened.
- Clean chrome components with a soft cloth.

### ANNUALLY

- The CLD should be inspected by a qualified technician.

**3-in-1 oil - Registered trademark of American Home Products Corporation.**

M  
A  
I  
N  
T  
E  
N  
A  
N  
C  
E

*This Procedure includes the following:*  
**Shifting, Steering and Driving**  
**Adjusting Drive Arm Height**  
**Adjusting Drive Arm Release Lever and/or Bracket Lever**  
**Adjusting Drive Arm Tension**

- B. NEUTRAL** - Allows for braking, locking the wheels, or attendant operation.
- C. REVERSE** - Allows the wheelchair to move rearward ONLY.

**Steering**

1. Rotate the drive arm in the desired direction to steer the wheelchair.

**Driving**

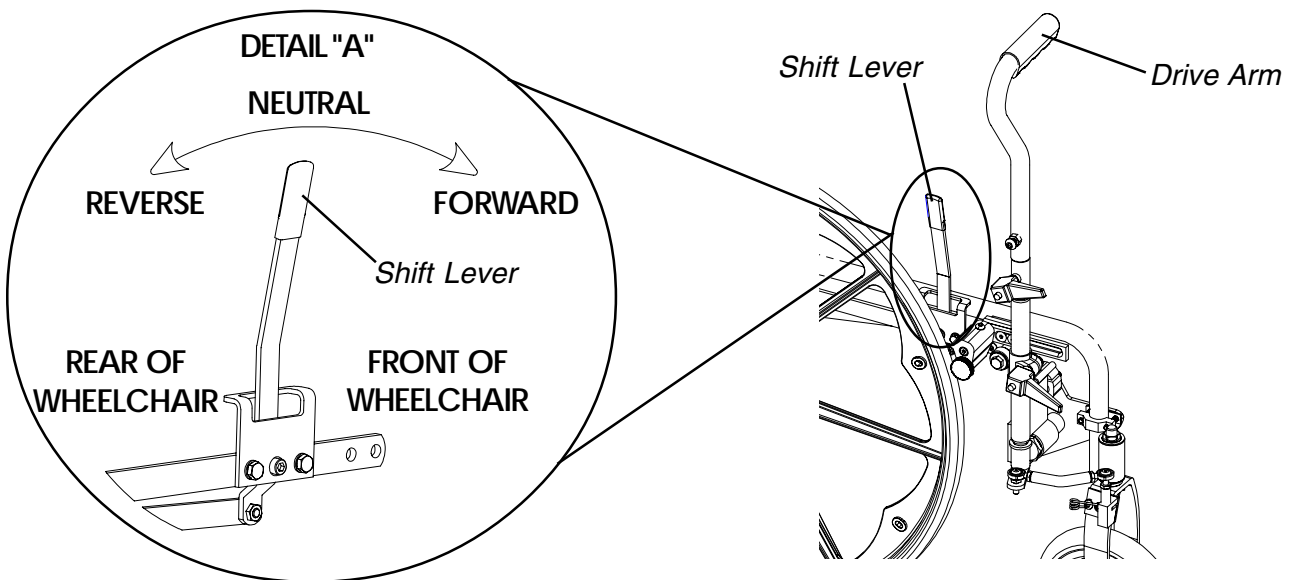
1. Place the shift lever in the desired position. Refer to SHIFTING in this procedure of the manual.
2. Push forward or pull rearward on the drive arm to move the wheelchair.

**SHIFTING, STEERING AND DRIVING (FIGURE 1)**

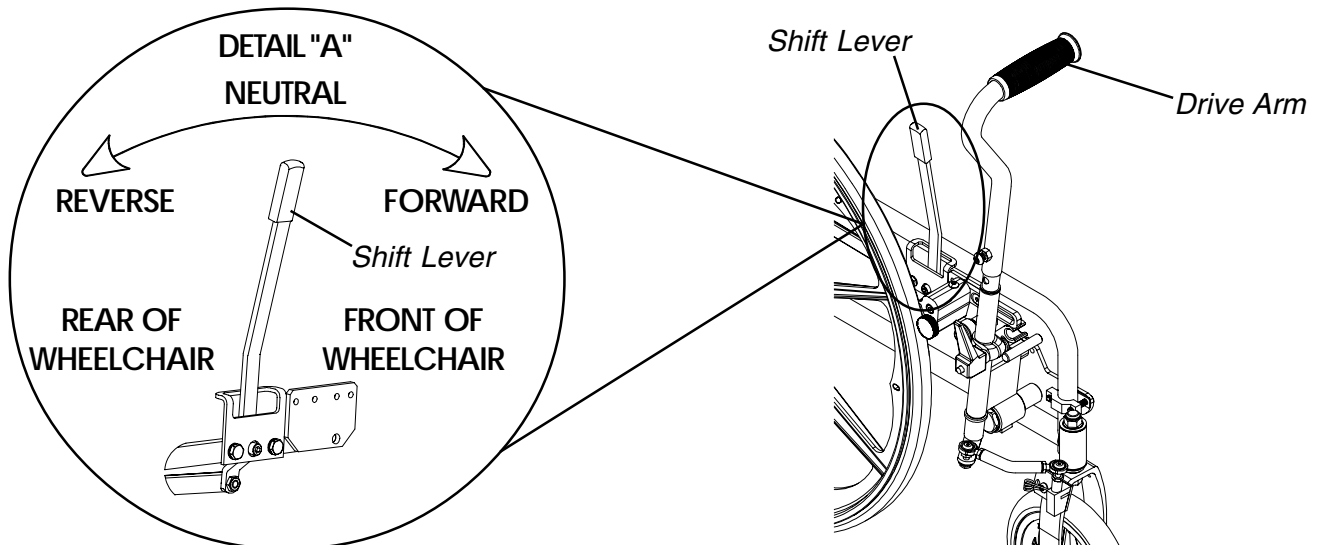
**Shifting**

1. Move the shift lever to one (1) of the following three (3) positions (DETAIL "A"):
  - A. FORWARD** - Allows the wheelchair to move forward ONLY.

**CLDs Built BEFORE 09/05/00**



**CLDs Built AFTER 09/05/00**



**FIGURE 1 - SHIFTING, STEERING AND DRIVING**

## ADJUSTING DRIVE ARM HEIGHT (FIGURE 2)

1. Remove the button screw located on the drive arm.
2. Lift up on the drive arm to expose the plunger tube.
3. Align one (1) of the three (3) mounting holes in the plunger tube with the button screw mounting hole on the drive arm.
4. Install the button screw into the drive arm and plunger tube mounting hole to secure the drive arm to the plunger tube. Tighten securely.

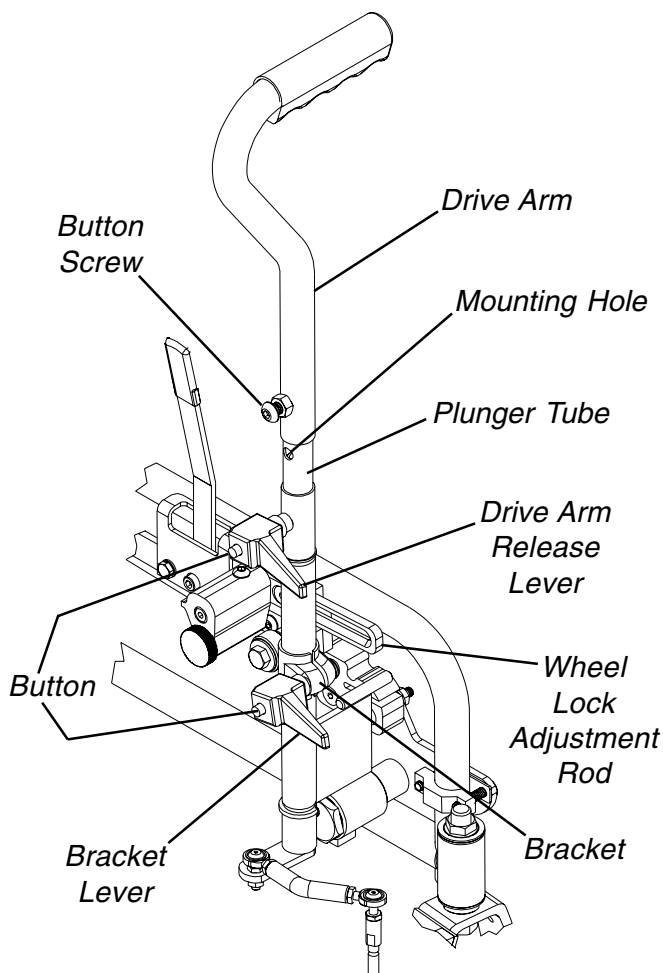
## ADJUSTING DRIVE ARM RELEASE LEVER AND/OR BRACKET LEVER (FIGURE 2)

*NOTE: The drive arm release lever and/or bracket lever can be rotated to keep it from protruding from the drive arm.*

*NOTE: CLDs built AFTER 09/05/00 DO NOT have a drive arm release lever.*

1. Depress and hold the button on the release lever.

### CLDs Built BEFORE 09/05/00



2. Rotate the release lever to the desired position.
3. Release the button.

## ADJUSTING DRIVE ARM TENSION (FIGURE 2)

*NOTE: Adjusting the drive arm tension will increase/reduce the amount of effort required to move the drive arm.*

1. Turn the bracket lever COUNTERCLOCKWISE to loosen.
2. Slide the bracket up or down to adjust the amount of effort required to move the drive arm.

**UP** - Increases the amount of effort required.

**DOWN** - Decreases the amount of effort required.

*NOTE: It may be easier to pull up or push down on the wheel lock adjustment lever to move the bracket up or down.*

3. Turn the bracket lever CLOCKWISE to tighten. Tighten securely.

### CLDs Built AFTER 09/05/00

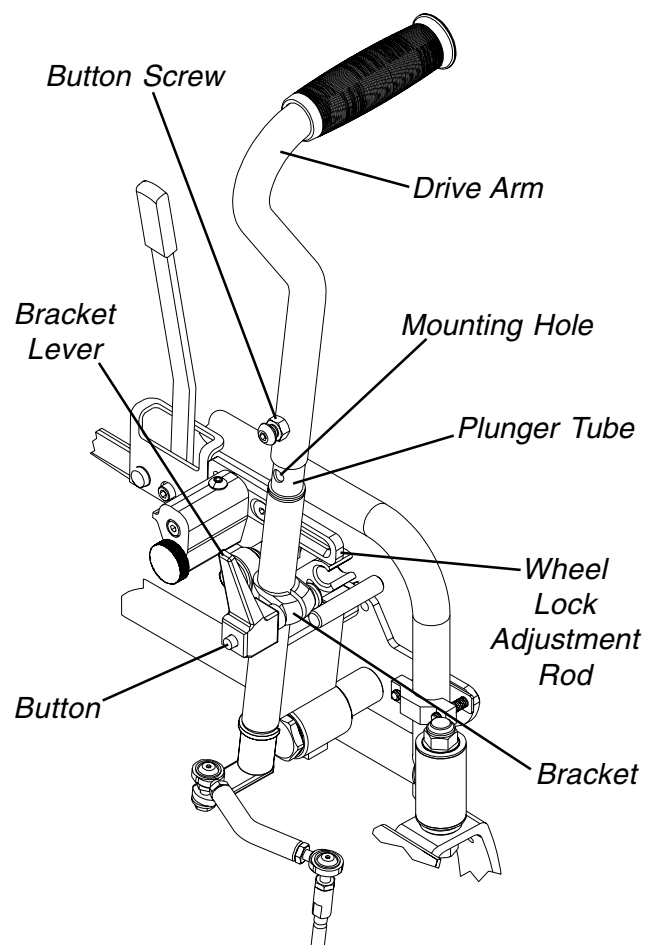


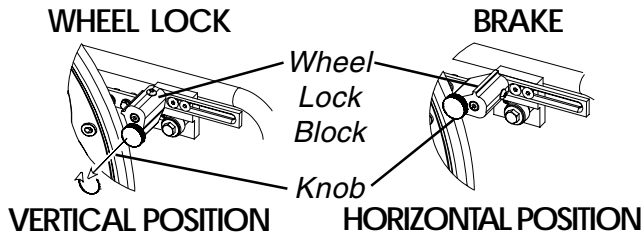
FIGURE 2 - ADJUSTING DRIVE ARM HEIGHT

**This procedure includes the following:**  
**Converting Wheel Lock to Brake and Vice Versa**  
**Using the Wheel Lock**  
**Using the Brake**

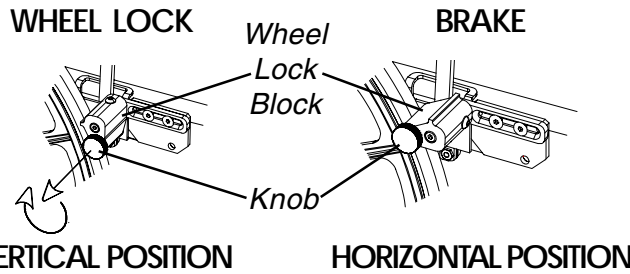
**CONVERTING WHEEL LOCK TO BRAKE AND VICE VERSA (FIGURE 1)**

1. Pull the knob on the wheel lock block OUT.
2. Rotate the wheel lock block to the horizontal or vertical position as shown in FIGURE 1.
3. Release the knob.

**CLDs Built BEFORE 09/05/00**



**CLDs Built AFTER 09/05/00**



**FIGURE 1 - CONVERTING THE WHEEL LOCK TO BRAKE AND VICE VERSA**

**USING THE WHEEL LOCK (FIGURE 2)**

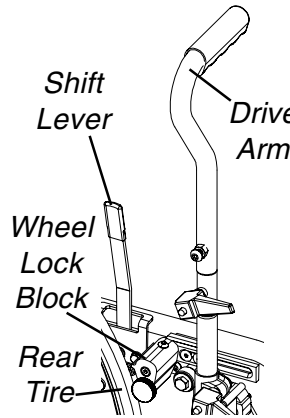
**WARNING**

The shift lever **MUST** be in the neutral position before activating the wheel lock. Failure to do so can cause accidental release of the wheel lock, possibly resulting in injury or make it more difficult to disengage the wheel lock feature.

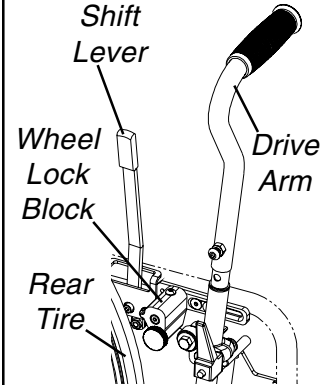
1. Position the shift lever in the neutral position. Refer to SHIFTING in PROCEDURE 1 of this manual.
2. Ensure wheel lock block is in vertical position. Refer to CONVERTING THE WHEEL LOCK TO BRAKE AND VICE VERSA in this procedure of the manual.
3. Pull the drive arm rearward until the wheel lock block engages with the rear tire.
4. Push or pull wheelchair to ensure rear wheel **DOES NOT** rotate with wheel lock engaged. If rear wheel **DOES** rotate with wheel lock engaged, perform the following steps:

- A. Check to make sure wheels are inflated to proper psi (if applicable) and perform (1) one of the following:
  - i. If wheels **ARE** inflated to proper psi, proceed to STEP B.
  - ii. If wheels **ARE NOT** inflated to proper psi, inflate to proper psi and repeat STEP 4.
- B. Contact a qualified dealer to adjust wheel lock.

**CLDs Built BEFORE 09/05/00**



**CLDs Built AFTER 09/05/00**



*NOTE: Wheel lock block shown in vertical (wheel lock) position.*

**FIGURE 2 - USING THE WHEEL LOCK/ USING THE BRAKE**

**USING THE BRAKE (FIGURE 2)**

**WARNING**

The brake should be tested at a slow speed in the presence of an assistant. Otherwise, injury or damage may occur.

1. Ensure wheel lock block is in horizontal position. Refer to CONVERTING THE WHEEL LOCK TO BRAKE AND VICE VERSA in this procedure of the manual.
2. Slowly begin driving the wheelchair. Refer to DRIVING, STEERING AND SHIFTING in PROCEDURE 1 of this manual.

*NOTE: Continue steering the wheelchair as necessary while testing or using the brake.*

3. Pull drive arm rearward until wheel lock block contacts rear tire and slows wheelchair to desired speed. If brake **DOES NOT** make contact with rear tire perform the following steps:
  - A. Check to make sure wheels are inflated to proper psi (if applicable) and perform (1) one of the following:
    - i. If wheels **ARE** inflated to proper psi, proceed to STEP B.
    - ii. If wheels **ARE NOT** inflated to proper psi, inflate to proper psi and repeat STEPS 2-3.
  - B. Contact a qualified dealer to adjust brake.

*This procedure includes the following:*  
**Connecting/Removing the Steering Link to/from the Fork**

**CONNECTING/REMOVING THE STEERING LINK TO/FROM THE FORK (FIGURE 1)**

**WARNING**  
 The steering link **MUST** be removed from the fork for attendant operation. Otherwise the attendant will be unable to steer the wheelchair properly.  
 The steering link **MUST** be connected to the fork when the CLD is in use. Otherwise the user will be unable to steer the wheelchair safely.

**Connecting**

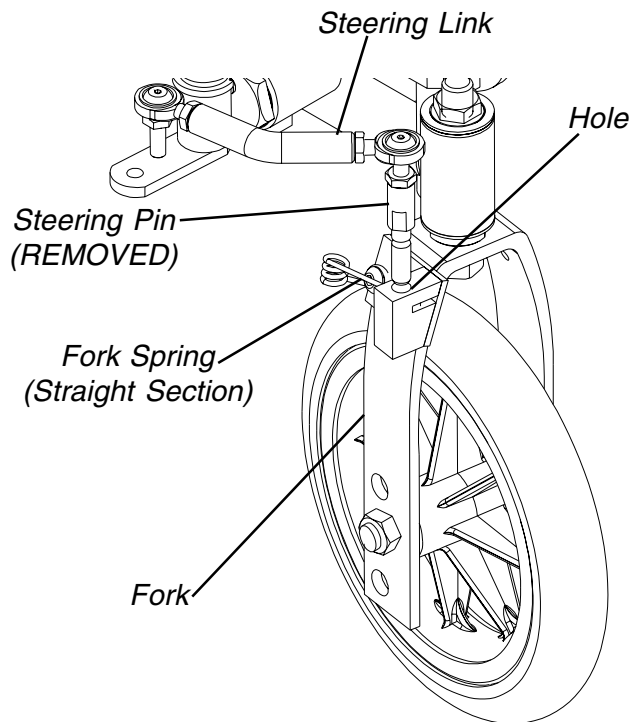
1. Compress and hold the straight section of the fork spring by pushing the fork spring horizontally towards the fork.
2. Insert the steering pin into the hole in the fork.

*NOTE: It may be necessary to rotate the caster to align the steering pin with the hole in the fork.*

3. Release the straight section of the fork spring.
4. Ensure the spring has secured the steering pin in place by lifting up on the steering link.

**Removing**

1. Compress and hold the straight section of the fork spring by pushing the fork spring horizontally towards the fork.
2. Pull up on the steering pin to remove from the fork.



**FIGURE 1 - CONNECTING/REMOVING THE STEERING LINK TO/FROM THE FORK**

**S  
T  
E  
E  
R  
I  
N  
G  
  
L  
I  
N  
K**

## LIMITED WARRANTY

PLEASE NOTE: THE WARRANTY BELOW HAS BEEN DRAFTED TO COMPLY WITH FEDERAL LAW APPLICABLE TO PRODUCTS MANUFACTURED AFTER JULY 4, 1975.

This warranty is extended only to the original purchaser/user of our products.

This warranty gives you specific legal rights and you may also have other legal rights which vary from state to state.

Invacare warrants its product to be free from defects in materials and workmanship for a period of one (1) year from date of purchase. If within such warranty period any such product shall be proven to be defective, such product shall be repaired or replaced, at Invacare's option. This warranty does not include any labor or shipping charges incurred in replacement part installation or repair of any such product. Invacare's sole obligation and your exclusive remedy under this warranty shall be limited to such repair and/or replacement.

For warranty service, please contact the dealer from whom you purchased your Invacare product. In the event you do not receive satisfactory warranty service, please write directly to Invacare at the address below. Provide dealer's name, address, the product model number, date of purchase, indicate nature of the defect and, if the product is serialized, indicate the serial number. Do not return products to our factory without our prior consent.

LIMITATIONS AND EXCLUSIONS: THE FOREGOING WARRANTY SHALL NOT APPLY TO SERIAL NUMBERED PRODUCTS IF THE SERIAL NUMBER HAS BEEN REMOVED OR DEFACED, PRODUCTS SUBJECTED TO NEGLIGENCE, ACCIDENT, IMPROPER OPERATION, MAINTENANCE OR STORAGE, PRODUCTS MODIFIED WITHOUT INVACARE'S EXPRESS WRITTEN CONSENT INCLUDING, BUT NOT LIMITED TO, MODIFICATION THROUGH THE USE OF UNAUTHORIZED PARTS OR ATTACHMENTS; PRODUCTS DAMAGED BY REASON OF REPAIRS MADE TO ANY COMPONENT WITHOUT THE SPECIFIC CONSENT OF INVACARE, OR TO A PRODUCT DAMAGED BY CIRCUMSTANCES BEYOND INVACARE'S CONTROL, AND SUCH EVALUATION WILL BE SOLELY DETERMINED BY INVACARE. THE WARRANTY SHALL NOT APPLY TO PROBLEMS ARISING FROM NORMAL WEAR OR FAILURE TO ADHERE TO THESE INSTRUCTIONS.

THE FOREGOING WARRANTY IS EXCLUSIVE AND IN LIEU OF ALL OTHER EXPRESS WARRANTIES. IMPLIED WARRANTIES, IF ANY, INCLUDING THE IMPLIED WARRANTIES OF MERCHANTABILITY AND FITNESS FOR A PARTICULAR PURPOSE, SHALL NOT EXTEND BEYOND THE DURATION OF THE EXPRESSED WARRANTY PROVIDED HEREIN AND THE REMEDY FOR VIOLATIONS OF ANY IMPLIED WARRANTY SHALL BE LIMITED TO REPAIR OR REPLACEMENT OF THE DEFECTIVE PRODUCT PURSUANT TO THE TERMS CONTAINED HEREIN. INVACARE SHALL NOT BE LIABLE FOR ANY CONSEQUENTIAL OR INCIDENTAL DAMAGES WHATSOEVER.

THIS WARRANTY SHALL BE EXTENDED TO COMPLY WITH STATE/PROVINCIAL LAWS AND REQUIREMENTS.

Invacare Corporation

[www.invacare.com](http://www.invacare.com)



**USA**  
One Invacare Way  
Elyria, Ohio USA  
44036-2125  
800-333-6900

**Canada**  
5970 Chedworth Way  
Mississauga, Ontario  
L5R 3T9, Canada  
905-890-8838

Invacare is a registered trademark of Invacare Corporation.  
© 2000 Invacare Corporation

Form No. 99-228 Part No. 1087717 Rev C (1) - 07/00



## Free Manuals Download Website

<http://myh66.com>

<http://usermanuals.us>

<http://www.somanuals.com>

<http://www.4manuals.cc>

<http://www.manual-lib.com>

<http://www.404manual.com>

<http://www.luxmanual.com>

<http://aubethermostatmanual.com>

Golf course search by state

<http://golfingnear.com>

Email search by domain

<http://emailbydomain.com>

Auto manuals search

<http://auto.somanuals.com>

TV manuals search

<http://tv.somanuals.com>